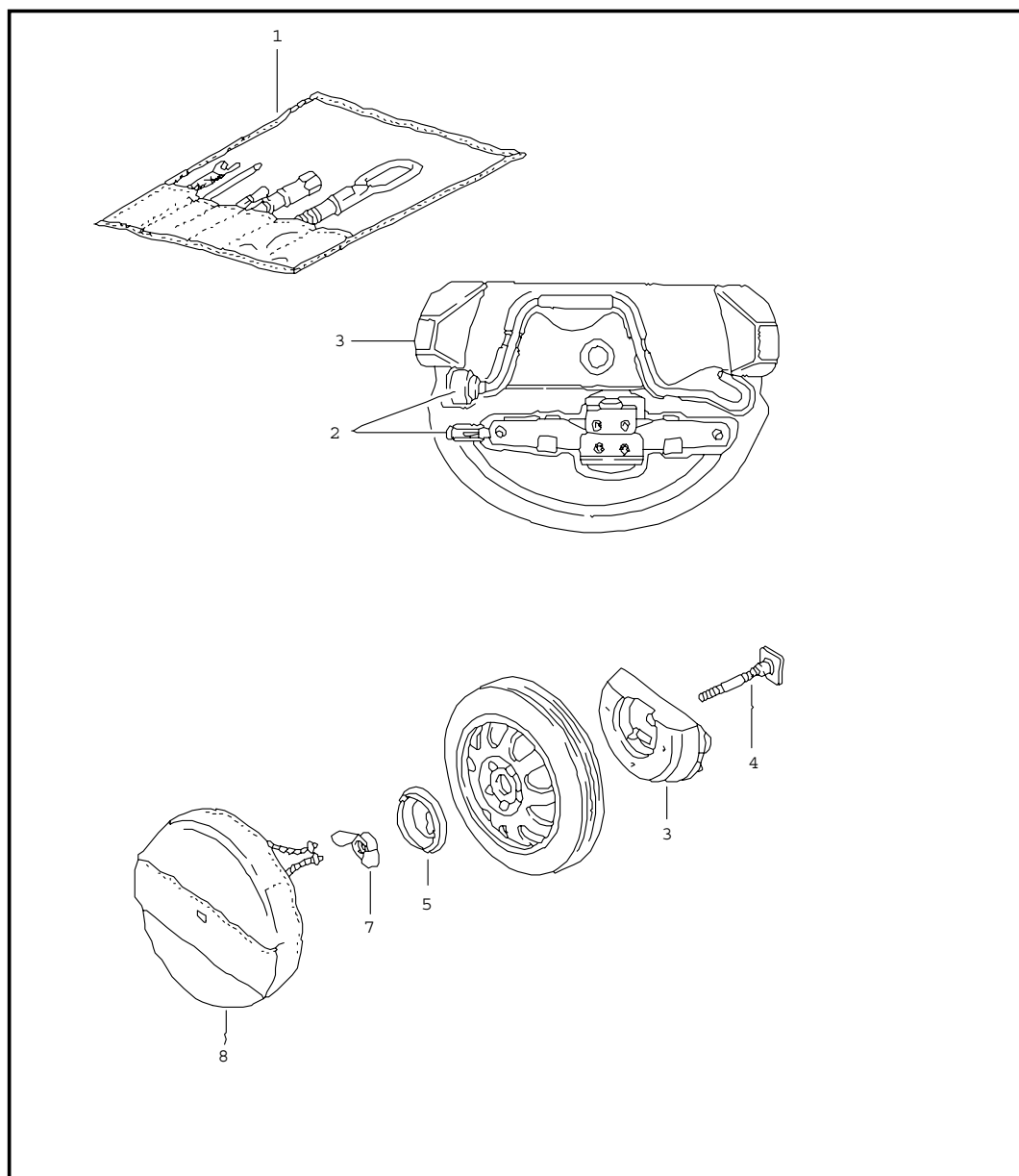


|       |      |    |    |              |              |        |       |            |         |     |         |
|-------|------|----|----|--------------|--------------|--------|-------|------------|---------|-----|---------|
| Model | Year | MG | SG | Illustration | Restrictions | Update | 11:12 | 25.11.2005 | PORSCHE | PET | PORSCHE |
| 996   | 05   | 0  | 01 | 1-00         |              | 194    |       |            |         |     |         |

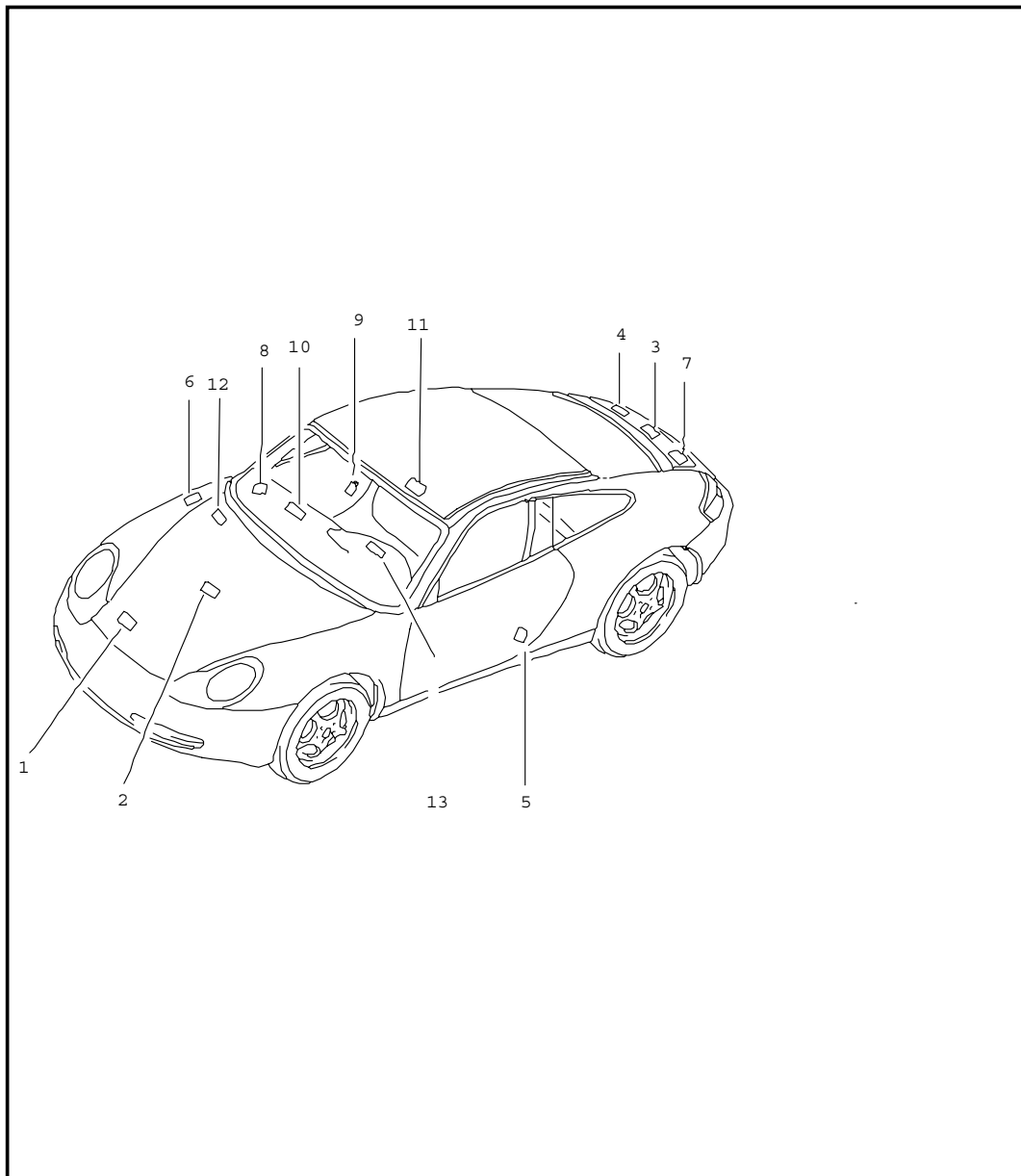


| Pos | Part Number    | Name                               | Remarks | Qty | Model                   |
|-----|----------------|------------------------------------|---------|-----|-------------------------|
| 1   | 996 721 115 00 | tool jack                          |         | 1   |                         |
| -   | 996 721 115 00 | tool bag with contents comprising: |         | 1   |                         |
| -   | 996 361 521 00 | boot for tyre                      |         | 1   |                         |
| -   | -              | plastic gloves                     |         | 1   |                         |
| -   | 996 721 151 00 | towing lug                         |         | 1   |                         |
| -   | -              | double-end spanner 10 X 13         |         | 1   |                         |
| -   | -              | screw driver                       |         | 1   |                         |
| -   | -              | handle for screw driver            |         | 1   |                         |
| -   | 999 571 076 02 | socket wrench - 5 - for headlamp   |         | 1   |                         |
| -   | 999 571 074 30 | threaded bolt for assembly wheels  |         | 1   |                         |
| -   | -              | rim wrench                         |         | 1   |                         |
| -   | -              | operating rod for rim wrench       |         | 1   |                         |
| 2   | 996 721 211 00 | scissors type jack                 |         | 1   |                         |
| 3   | 996 722 101 00 | foam part                          |         | 1   | M 338                   |
| 4   | 996 721 701 00 | fastening part                     |         | 1   | M 338                   |
| 5   | 477 813 157    | fastening plate                    |         | 1   |                         |
| 7   | 900 029 004 02 | winged nut M 10                    |         | 1   | M 338                   |
| (7) | 900 029 109 02 | winged screw M 10 X 65             | 99-     | 1   | M 339                   |
| -   | 999 031 051 02 | washer 11,0 X 20 X 3,5             |         | 1   | CARRERA 4 S M 450/M 680 |

|       |      |    |    |              |              |        |       |            |         |     |         |
|-------|------|----|----|--------------|--------------|--------|-------|------------|---------|-----|---------|
| Model | Year | MG | SG | Illustration | Restrictions | Update | 11:12 | 25.11.2005 | PORSCHE | PET | PORSCHE |
| 996   | 05   | 0  | 01 | 1-00         |              | 194    |       |            |         |     |         |

| Pos | Part Number    | Name                           | Remarks | Qty | Model | Pos | Part Number | Name | Remarks | Qty | Model |
|-----|----------------|--------------------------------|---------|-----|-------|-----|-------------|------|---------|-----|-------|
| 8   | -              | see group<br>8/07/00<br>POS.19 |         | 1   |       |     |             |      |         |     |       |
| -   | 000 722 722 02 | warning triangle               |         | 1   |       |     |             |      |         |     |       |
| -   | 993 722 041 00 | first-aid kit                  |         | 1   |       |     |             |      |         |     |       |
|     |                | - - - E N D - - -              |         |     |       |     |             |      |         |     |       |

|       |      |    |    |              |              |        |       |            |         |     |         |
|-------|------|----|----|--------------|--------------|--------|-------|------------|---------|-----|---------|
| Model | Year | MG | SG | Illustration | Restrictions | Update | 11:12 | 25.11.2005 | PORSCHE | PET | PORSCHE |
| 996   | 05   | 0  | 01 | 1-05         |              | 194    |       |            |         |     |         |

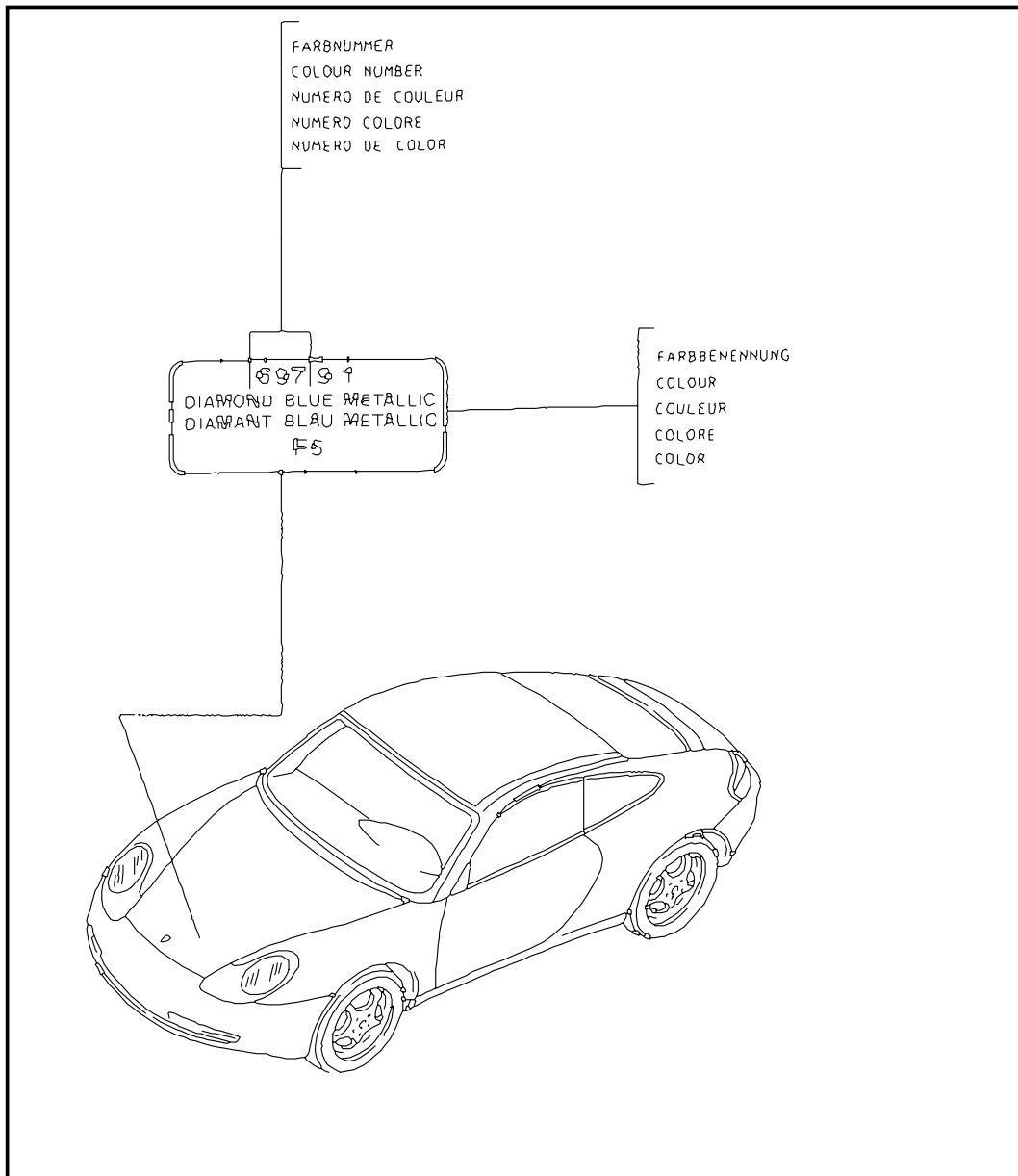


| Pos | Part Number    | Name                              | Remarks | Qty | Model                      |
|-----|----------------|-----------------------------------|---------|-----|----------------------------|
|     |                | stickers                          |         |     |                            |
|     |                | stickers<br>tyre pressure         |         |     |                            |
| 1   | 996 701 287 20 | sticker                           | -01     | 1   | M 338                      |
| 1   | 996 701 287 40 | sticker                           | 02-     | 1   | M 338                      |
| 1   | 996 701 287 23 | sticker                           | -01     | 1   | M 339                      |
| 1   | 996 701 287 43 | sticker                           | 02-     | 1   | M 339                      |
| 1   | 996 701 287 48 | sticker                           | 02-     | 1   | CARRERA 4 S                |
| 1   | 996 701 287 22 | sticker                           | -01     | 1   | (AUS) M 338                |
| 1   | 996 701 287 42 | sticker                           | 02-     | 1   | (AUS) M 338                |
| 1   | 996 701 287 25 | sticker                           | -01     | 1   | (AUS) M 339                |
| 1   | 996 701 287 45 | sticker                           | 02-     | 1   | (AUS) M 339                |
| 1   | 996 701 287 50 | sticker                           | 02-     | 1   | (AUS)<br>CARRERA 4 S       |
| 1   | 996 701 170 00 | sticker<br>first-aid kit          | 99-     | 1   | M 339/ M 499               |
|     |                | stickers<br>emergency wheel       |         | 1   |                            |
| 2   | 996 361 701 10 | sticker<br>english                |         | 1   | (AUS) M 338                |
| 2   | 996 361 701 00 | sticker<br>english                |         | 1   | (AUS) M 339                |
| 2   | 996 361 701 20 | sticker<br>english                | 03-     | 1   | CARRERA 4 S<br>(AUS) M 450 |
| 2   | 928 701 150 00 | sticker<br>"MAX 80 KM/H"          |         | 1   |                            |
|     |                | stickers<br>engine specifications |         |     |                            |
| 3   | 996 006 107 00 | sticker                           | 98      | 1   | (AUS)                      |
| 3   | 996 006 107 01 | sticker                           | 99      | 1   | (AUS)                      |
| 3   | 996 006 107 03 | sticker                           | 00      | 1   | (AUS)                      |
| 3   | 996 006 107 04 | sticker                           | 01      | 1   | (AUS)                      |
| 3   | 996 006 107 05 | sticker                           | 02      | 1   | (AUS)                      |
| 3   | 996 006 107 06 | sticker                           | 03      | 1   | (AUS)                      |

|       |      |    |    |              |              |        |       |            |         |     |         |
|-------|------|----|----|--------------|--------------|--------|-------|------------|---------|-----|---------|
| Model | Year | MG | SG | Illustration | Restrictions | Update | 11:12 | 25.11.2005 | PORSCHE | PET | PORSCHE |
| 996   | 05   | 0  | 01 | 1-05         |              | 194    |       |            |         |     |         |

| Pos | Part Number    | Name  | Remarks | Qty | Model       | Pos | Part Number    | Name  | Remarks | Qty | Model |
|-----|----------------|---|---------|-----|-------------|-----|----------------|---|---------|-----|-------|
| 3   | 996 006 107 07 | sticker   | 04      | 1   | (AUS)       | 8   | 996 701 430 02 | sticker<br>child car seat<br>english<br>spanish         | 01-     | 1   |       |
| 3   | 993 006 108 02 | sticker   | -01     | 1   | M 068       |     |                |   |         |     |       |
| 3   | 996 006 108 00 | sticker   | 02-     | 1   | M 068       |     |                |   |         |     |       |
| 4   | 928 701 140 04 | sticker<br>exhaust gas<br><br>stickers<br>type of fuel                    | -99     | 1   | M 068,M 325 | 8   | 996 701 430 03 | sticker<br>child car seat<br>swedish<br>english         | 01-     | 1   |       |
| 6   | 996 006 117 00 | sticker<br>98 ROZ   |         | 1   |             | 8   | 996 701 430 04 | sticker<br>child car seat<br>arabic<br>english          | 04-     | 1   |       |
| 6   | 996 006 117 02 | sticker<br>96 ROZ   |         | 1   | (AUS)       | 12  | 996 701 141 01 | sticker<br>air conditioner                              |         | 1   |       |
| 6   | 996 006 117 01 | sticker<br>98 ROZ   |         | 1   | M 150       |     |                | stickers<br>folding top control<br>see group<br>8/07/09 |         |     |       |
| 6   | 996 006 117 03 | sticker<br>93 RON/MON/2   |         | 1   | (J)         |     |                | - - - E N D - - -                                       |         |     |       |
| 6   | 996 701 190 00 | sticker<br>fuel tank cap  | 01-     | 1   |             |     |                |   |         |     |       |
| 7   | 993 006 544 01 | sticker<br>engine oil<br>- MOBIL 1 -                                      |         | 1   |             |     |                |   |         |     |       |
| 7   | 996 006 120 00 | indication sticker<br>expansion tank<br>coolant<br><br>stickers<br>airbag | 00-     | 1   |             |     |                |   |         |     |       |
| 8   | 996 701 421 01 | sticker<br>child car seat   | 98      | 1   |             |     |                |   |         |     |       |
| 8   | 3B0 010 219 B  | sticker<br>child car seat   | 99-     | 1   |             |     |                |   |         |     |       |
| 8   | 8D0 010 141 Q  | sticker<br>child car seat   | 05      | 1   | (AUS)       |     |                |   |         |     |       |
| 8   | 996 701 430 00 | sticker<br>child car seat<br>german<br>english                            | 01-     | 1   |             |     |                |   |         |     |       |
| 8   | 996 701 430 01 | sticker<br>child car seat<br>italian<br>french                            | 01-     | 1   |             |     |                |   |         |     |       |

|       |      |    |    |              |              |        |       |            |         |     |         |
|-------|------|----|----|--------------|--------------|--------|-------|------------|---------|-----|---------|
| Model | Year | MG | SG | Illustration | Restrictions | Update | 11:13 | 25.11.2005 | PORSCHE | PET | PORSCHE |
| 996   | 05   | 0  | 04 | 4-00         |              | 194    |       |            |         |     |         |

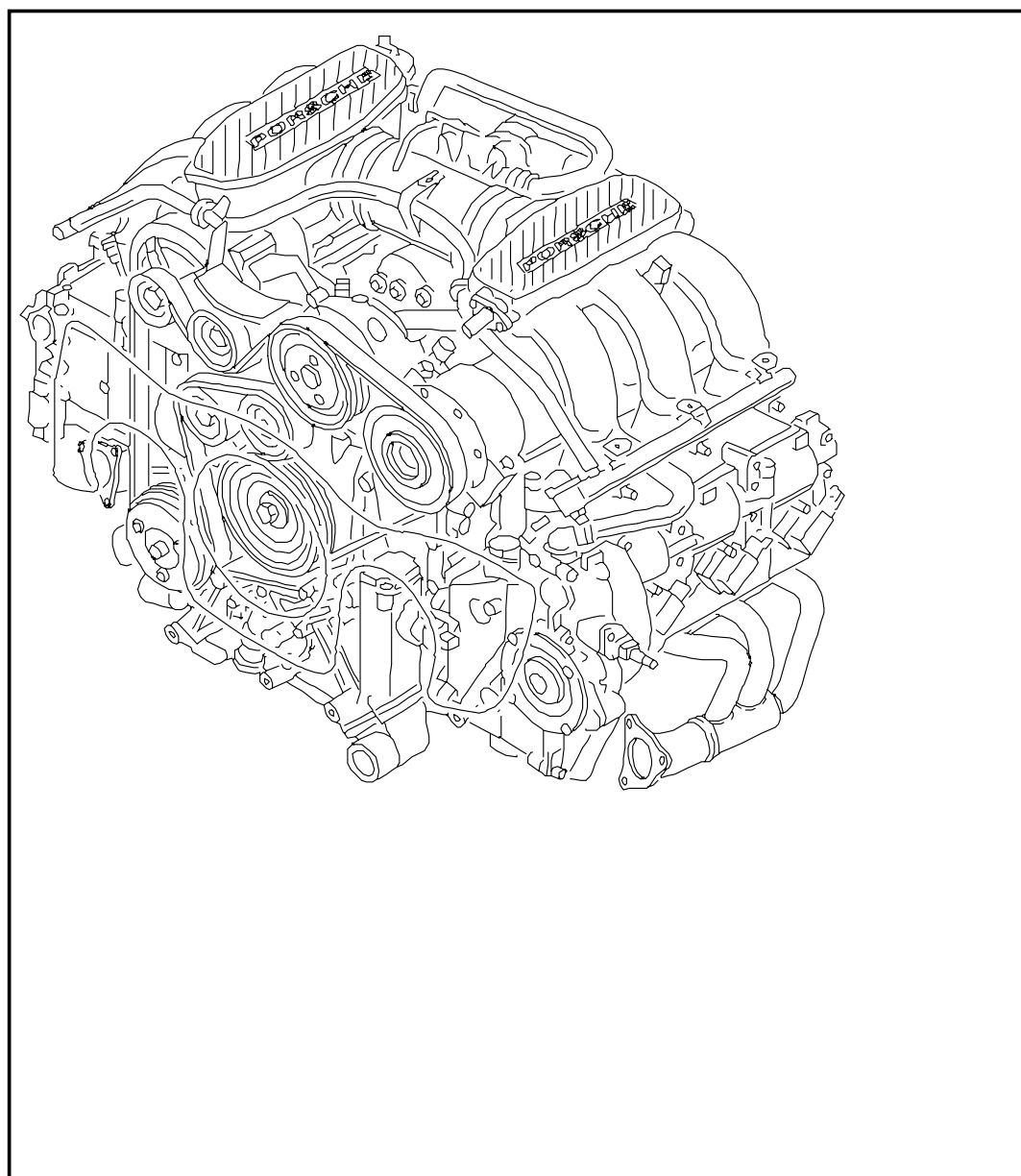


| Pos | Part Number    | Name   | Remarks | Qty | Model    |
|-----|----------------|--|---------|-----|----------|
| -   | 911 095 932 20 | paint touch-up applicator lacquers   |         | X   |          |
|     | 719            | black  |         |     | A 1      |
|     | 80K            | guards red   |         |     | G 1      |
|     | 3AT            | glacier white  |         |     | Z 1      |
|     | 9A3            | biarritz white   |         |     | Z 2      |
|     | 12L            | pastel yellow  |         |     | Q 1      |
|     | 3AR            | blue turquoise   |         |     | J 1      |
|     | 12G            | speed yellow   |         |     | 50 / X 4 |
|     | 347            | dark blue  |         |     | 55       |
|     | B9A            | carrara white  |         |     | B 4      |
| -   | 911 095 933 20 | paint touch-up applicator set comprising:<br>paint touch-up applicator primer<br>paint touch-up applicator clear lacquer |         | X   |          |
|     | 92T            | arctic silver metallic   |         |     | X 1      |
|     | 3AY            | ocean blue metallic  |         |     | E 1      |
|     | 3AW            | zenith blue metallic   |         |     | F 1      |
|     | 84R            | arena red metallic   |         |     | H 8      |
|     | 25H            | ocean jade metallic  |         |     | J 3      |
|     | 746            | black-metallic   |         |     | Z 8      |
|     | 40W            | vesuvio grey metallic  |         |     | K 3      |
|     | 554            | mirage metallic  |         |     | T 1      |
|     | 23I            | wimbledon green metallic   |         |     | 51       |
|     | 22E            | forest green metallic  |         |     | 53       |
|     | 2A2            | rainforest green metallic  |         |     | J 4      |
|     | 39G            | violet metallic  |         |     | 54       |
|     | 37U            | cobalt blue metallic   |         |     | 56       |
|     | 92E            | polar silver metallic  |         |     | 58       |

|       |      |    |    |              |              |        |       |            |         |     |         |
|-------|------|----|----|--------------|--------------|--------|-------|------------|---------|-----|---------|
| Model | Year | MG | SG | Illustration | Restrictions | Update | 11:13 | 25.11.2005 | PORSCHE | PET | PORSCHE |
| 996   | 05   | 0  | 04 | 4-00         |              | 194    |       |            |         |     |         |

| Pos | Part Number    | Name                   | Remarks    | Qty | Model        | Pos | Part Number | Name | Remarks | Qty | Model |
|-----|----------------|------------------------|------------|-----|--------------|-----|-------------|------|---------|-----|-------|
|     | 22D            | slate grey metallic    |            |     | 59           |     |             |      |         |     |       |
|     | 39N            | iris blue metallic     |            |     | 61           |     |             |      |         |     |       |
|     | 37W            | midnight blue metallic | -02<br>03- |     | 62<br>E 9    |     |             |      |         |     |       |
|     | 3C4            | violet/chromaflair     |            |     | M 094/K 7    |     |             |      |         |     |       |
|     | 8A4            | orient red metallic    |            |     | L 1          |     |             |      |         |     |       |
|     | 3A9            | lapis blue metallic    | -02        |     | E 3          |     |             |      |         |     |       |
|     | M5W            | lapis blue metallic    | 03-        |     | J 2          |     |             |      |         |     |       |
|     | 6A7            | meridian metallic      | -03<br>04- |     | X 2<br>64    |     |             |      |         |     |       |
|     | 1A9            | zanzibar red           | -02<br>03  |     | N 1<br>63    |     |             |      |         |     |       |
|     | 6B5            | seal grey metallic     |            |     | Y 1          |     |             |      |         |     |       |
|     | C9Z            | basalt black metallic  |            |     | Z 4          |     |             |      |         |     |       |
|     | M6W            | lagoon green metallic  |            |     | G 4          |     |             |      |         |     |       |
|     | M3W            | carmon red metallic    |            |     | E 4          |     |             |      |         |     |       |
|     | M7X            | atlas grey metallic    |            |     | E 7          |     |             |      |         |     |       |
|     | M7Z            | gt silver metallic     | 04<br>05   |     | M 095<br>U 2 |     |             |      |         |     |       |
|     | M6X            | dark olive-metallic    |            |     | 7 G          |     |             |      |         |     |       |
|     |                | lacquers<br>1 LTR      |            |     |              |     |             |      |         |     |       |
| -   | 911 095 903 80 | paint                  |            | X   | M 094/K 7    |     |             |      |         |     |       |
|     | 3C4            | violet/chromaflair     |            |     |              |     |             |      |         |     |       |
|     |                | - - - E N D - - -      |            |     |              |     |             |      |         |     |       |

|       |      |    |    |              |              |        |       |            |         |     |         |
|-------|------|----|----|--------------|--------------|--------|-------|------------|---------|-----|---------|
| Model | Year | MG | SG | Illustration | Restrictions | Update | 11:13 | 25.11.2005 | PORSCHE | PET | PORSCHE |
| 996   | 05   | 1  | 01 | 101-00       |              | 194    |       |            |         |     |         |



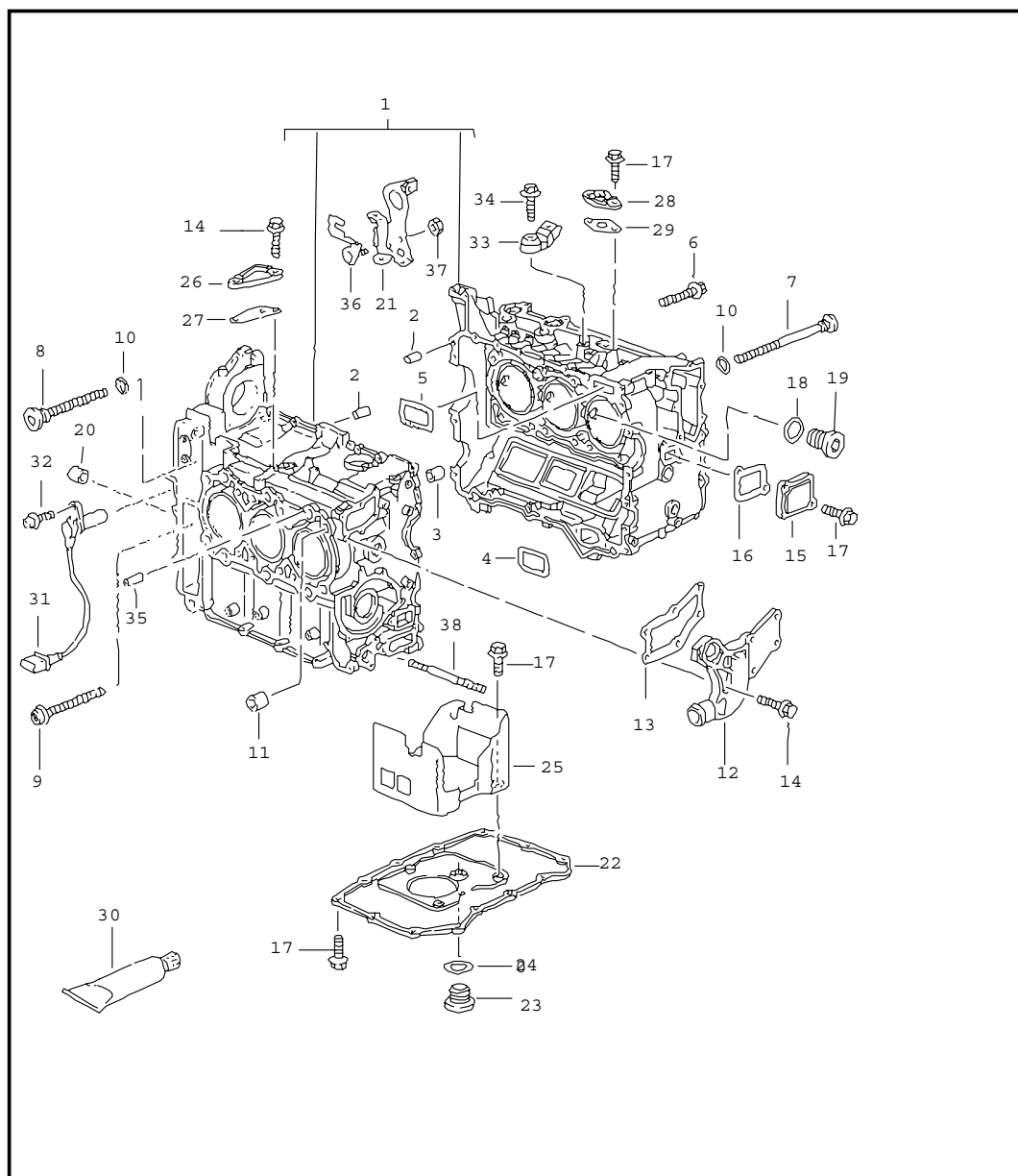
| Pos | Part Number      | Name  | Remarks    | Qty | Model                    |
|-----|------------------|---|------------|-----|--------------------------|
|     |                  | replacement engine  | -01<br>02- |     | M96.01/02/04<br>M96.03   |
|     |                  | without<br>drive plate<br>tiptronic<br>without<br>flywheel<br>manual transmission<br>without<br>compressor                    |            |     |                          |
| 1   | > 996 100 996 00 | replacement engine  | -99        | 1   | M 338                    |
| 1   | > 996 100 996 01 | replacement engine  | -99        | 1   | M 339                    |
| 1   | > 996 840 051 01 | replacement engine  | 99         | 1   | M 338 X51                |
| 1   | > 996 100 951 01 | replacement engine  | 99         | 1   | M 338 X51                |
| 1   | > 996 840 051 02 | replacement engine  |            | 1   | M 338/339<br>M 620 X51   |
|     |                  |   | 00-01      |     |                          |
| 1   | > 996 100 951 02 | replacement engine  | 00-01      | 1   | M 338/339<br>M 620 X51   |
|     |                  |   | 00-01      |     |                          |
| 1   | > 996 100 996 14 | replacement engine  | 02-03      | 1   | M 96.03<br>M 480<br>X 51 |
| 1   | > 996 100 996 20 | replacement engine  | 04         | 1   | M 96.03<br>M 480<br>X 51 |
|     |                  | technical information<br>GRUPPE 1 NR.4/04<br>attention  |            |     |                          |
| 1   | 996 100 996 30   | replacement engine  | 05         | 1   | M 96.03<br>M 480<br>X 51 |
| 1   | > 996 100 996 03 | replacement engine  | 00         | 1   | M 660/661                |
| 1   | 996 100 996 11   | replacement engine  | 01         | 1   | M 660/661<br>M 480       |
| 1   | > 996 100 996 01 | replacement engine  | 00         | 1   |                          |
| 1   | > 996 100 996 12 | replacement engine  | 01         | 1   | M 660/661<br>M 249       |
|     |                  | see technical information<br>group 1<br>NR.1/02 NR.2/02<br>only<br>for<br>996.100.996.07/08<br>996.100.996.09/10<br>attention |            |     |                          |

|       |      |    |    |              |              |        |       |            |         |     |         |
|-------|------|----|----|--------------|--------------|--------|-------|------------|---------|-----|---------|
| Model | Year | MG | SG | Illustration | Restrictions | Update | 11:13 | 25.11.2005 | PORSCHE | PET | PORSCHE |
| 996   | 05   | 1  | 01 | 101-00       |              | 194    |       |            |         |     |         |

| Pos | Part Number      | Name   | Remarks | Qty | Model                         | Pos | Part Number | Name | Remarks | Qty | Model |
|-----|------------------|--|---------|-----|-------------------------------|-----|-------------|------|---------|-----|-------|
| 1   | A 996 100 996 04 | replacement engine                                     | 02      | 1   | M 96.03<br>M 660/661<br>M 480 |     |             |      |         |     |       |
| 1   | > 996 100 996 07 | replacement engine                                     | 02      | 1   | M 96.03<br>M 660/661<br>M 480 |     |             |      |         |     |       |
| 1   | > 996 100 996 09 | replacement engine                                     | 03      | 1   | M 96.03<br>M 660/661<br>M 480 |     |             |      |         |     |       |
| 1   | > 996 100 996 18 | replacement engine                                     | 04      | 1   | M 96.03<br>M 660/661<br>M 480 |     |             |      |         |     |       |
|     |                  | technical information<br>GRUPPE 1 NR.4/04<br>attention |         |     |                               |     |             |      |         |     |       |
| 1   | 996 100 996 28   | replacement engine                                     | 05      | 1   | M 96.03<br>M 660/661<br>M 480 |     |             |      |         |     |       |
| 1   | A 996 100 996 05 | replacement engine                                     | 02      | 1   | M 96.03<br>M 660/661<br>M 249 |     |             |      |         |     |       |
| 1   | > 996 100 996 08 | replacement engine                                     | 02      | 1   | M 96.03<br>M 660/661<br>M 249 |     |             |      |         |     |       |
| 1   | > 996 100 996 10 | replacement engine                                     | 03      | 1   | M 96.03<br>M 660/661<br>M 249 |     |             |      |         |     |       |
| 1   | > 996 100 996 19 | replacement engine                                     | 04      | 1   | M 96.03<br>M 660/661<br>M 249 |     |             |      |         |     |       |
|     |                  | technical information<br>GRUPPE 1 NR.4/04<br>attention |         |     |                               |     |             |      |         |     |       |
| 1   | 996 100 996 29   | replacement engine                                     | 05      | 1   | M 96.03<br>M 249<br>M 660/661 |     |             |      |         |     |       |
|     |                  | - - - E N D - - -                                      |         |     |                               |     |             |      |         |     |       |



|       |      |    |    |              |              |        |       |            |         |     |         |
|-------|------|----|----|--------------|--------------|--------|-------|------------|---------|-----|---------|
| Model | Year | MG | SG | Illustration | Restrictions | Update | 11:13 | 25.11.2005 | PORSCHE | PET | PORSCHE |
| 996   | 05   | 1  | 01 | 101-05       |              | 194    |       |            |         |     |         |

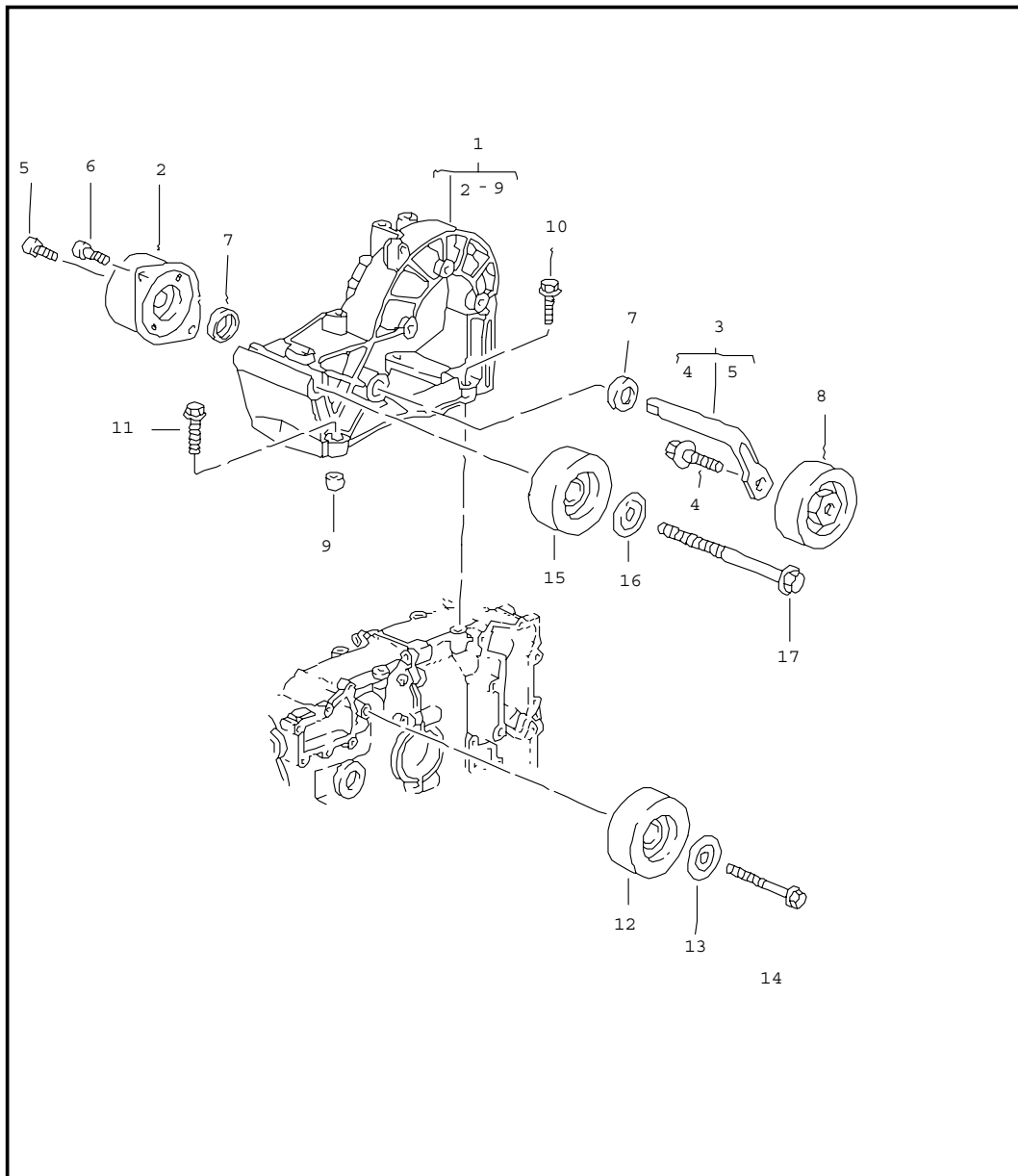


| Pos | Part Number      | Name   | Remarks    | Qty | Model                  |
|-----|------------------|--|------------|-----|------------------------|
|     |                  | crankcase  | -01<br>02- |     | M96.01/02/04<br>M96.03 |
| 1   | 996 101 901 01   | crankcase<br>M >> 66X 11005<br>M >> 68X 05167<br>use also:<br>996 101 012 64<br>996 101 018 51 | -01        | 1   |                        |
| (1) | 996 101 006 03   | crankcase  | 02-        | 1   | M 96.03                |
| 2   | 999 012 049 00   | straight pin   |            | 3   |                        |
| 3   | 996 101 253 50   | dowel sleeve   |            | 1   |                        |
| 3   | 996 101 253 51   | dowel sleeve   |            | 1   |                        |
| 4   | 996 101 361 51   | gasket   |            | 1   |                        |
| 5   | 996 101 363 50   | gasket   |            | 1   |                        |
| 6   | U 900 378 174 09 | hexagon-head bolt<br>M 6 X 35  |            | 25  |                        |
| (6) | 999 217 151 09   | hexagon-head bolt<br>M 6 X 35  |            | 25  |                        |
| 7   | 996 101 219 52   | screw<br>9 X 150   |            | 1   |                        |
| 8   | 996 101 229 00   | screw<br>M 9 X 94  |            | 1   |                        |
| 9   | 996 101 203 00   | screw<br>9 X 94  |            | 1   |                        |
| 10  | 999 701 789 40   | o-ring<br>12 X 2<br>use also:<br>grease<br>999 917 788 00                                      |            | 2   |                        |
| 11  | 999 095 043 01   | dowel sleeve<br>17M 6 X 18,5   |            | 1   |                        |
| 11  | 999 095 043 01   | dowel sleeve<br>17M 6 X 18,5   |            | 4   |                        |
| 12  | 996 101 021 51   | cover  |            | 1   |                        |
| 13  | 996 101 331 50   | gasket   |            | 1   |                        |
| 14  | 900 378 103 09   | hexagon-head bolt<br>M 6 X 20  |            | 10  |                        |
| 15  | 996 101 216 51   | cover  |            | 1   |                        |
| 15  | 996 101 016 00   | cover  |            | 1   |                        |
| 16  | 996 101 336 50   | gasket   |            | 1   |                        |

|       |      |    |    |              |              |        |       |            |         |     |         |
|-------|------|----|----|--------------|--------------|--------|-------|------------|---------|-----|---------|
| Model | Year | MG | SG | Illustration | Restrictions | Update | 11:13 | 25.11.2005 | PORSCHE | PET | PORSCHE |
| 996   | 05   | 1  | 01 | 101-05       |              | 194    |       |            |         |     |         |

| Pos  | Part Number      | Name                           | Remarks | Qty | Model | Pos | Part Number    | Name                           | Remarks | Qty | Model |
|------|------------------|--------------------------------|---------|-----|-------|-----|----------------|--------------------------------|---------|-----|-------|
| 17   | 900 378 035 09   | hexagon-head bolt<br>M 6 X 16  |         | 24  |       | 34  | 900 378 108 09 | hexagon-head bolt<br>AM 8 X 35 | 01-     | 2   |       |
| 18   | 900 123 147 30   | sealing ring<br>A 27 X 32      |         | 1   |       | 35  | 900 095 137 01 | roll pin<br>5,0 X 12           |         | 2   |       |
| 19   | 900 219 017 30   | screw plug<br>M 27 X 2         |         | 1   |       | 36  | 996 101 613 50 | support                        |         | 1   | M 249 |
| 20   | 014 301 153 B    | dowel sleeve<br>13 X 16 X13,5  |         | 2   |       | 37  | 900 377 010 09 | hexagon nut<br>M 6             |         | 1   | M 249 |
| 21   | 996 101 213 56   | holder                         |         | 1   |       | 38  | 999 218 110 09 | stud<br>M 10 X 102             |         | 4   |       |
| 21   | 996 101 213 57   | holder                         |         | 1   |       | --  | 900 036 029 02 | cover<br>B 16                  |         | 2   |       |
| 22   | A 996 107 031 54 | oil pan                        | -97     | 1   |       | --  | 999 036 005 02 | cover<br>B 50                  |         | 2   |       |
| 22   | 996 107 031 55   | oil pan                        | 98-     | 1   |       |     |                |                                |         |     |       |
| 23   | 900 219 009 30   | screw plug<br>M 18 X 1,5       |         | 1   |       |     |                |                                |         |     |       |
| 24   | 900 123 106 30   | sealing ring<br>A 18 X 24      |         | 1   |       |     |                |                                |         |     |       |
| 25   | 996 107 243 51   | bulkhead                       |         | 1   |       |     |                |                                |         |     |       |
| 26   | 996 113 140 53   | cover                          |         | 1   |       |     |                |                                |         |     |       |
| 27   | 996 113 233 50   | gasket                         |         | 1   |       |     |                |                                |         |     |       |
| 28   | 996 113 340 50   | cover                          |         | 1   |       |     |                |                                |         |     |       |
| 29   | 996 113 213 51   | gasket                         |         | 1   |       |     |                |                                |         |     |       |
| 30   | 000 043 203 73   | sealing compound<br>30 ML      |         | X   |       |     |                |                                |         |     |       |
| (30) | 000 043 204 35   | sealing compound<br>50 ML      |         | X   |       |     |                |                                |         |     |       |
| 31   | A 986 606 112 01 | pulse sender                   |         | 1   |       |     |                |                                |         |     |       |
| 31   | 986 606 112 02   | pulse sender                   | -02     | 1   |       |     |                |                                |         |     |       |
| 31   | 986 606 112 03   | pulse sender                   | 03-     | 1   |       |     |                |                                |         |     |       |
| 32   | 999 218 005 02   | pan-head screw<br>M 6 X 16     |         | 1   |       |     |                |                                |         |     |       |
| 33   | 996 606 121 00   | knock sensor                   |         | 2   |       |     |                |                                |         |     |       |
| 33   | 996 606 125 00   | knock sensor                   |         | 2   |       |     |                |                                |         |     |       |
| 34   | A 900 378 033 09 | hexagon-head bolt<br>AM 8 X 30 | -00     | 2   |       |     |                |                                |         |     |       |

|       |      |    |    |              |              |        |       |            |         |     |         |
|-------|------|----|----|--------------|--------------|--------|-------|------------|---------|-----|---------|
| Model | Year | MG | SG | Illustration | Restrictions | Update | 11:13 | 25.11.2005 | PORSCHE | PET | PORSCHE |
| 996   | 05   | 1  | 01 | 101-10       |              | 194    |       |            |         |     |         |

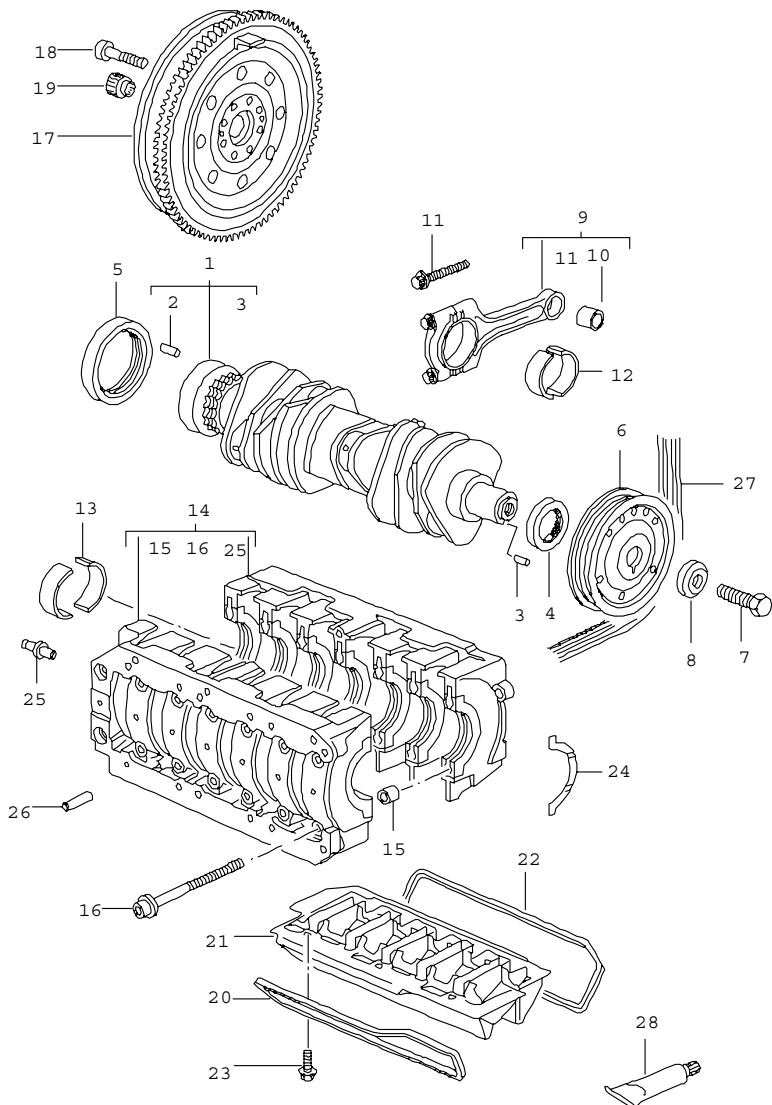


| Pos  | Part Number      | Name                           | Remarks    | Qty | Model                  |
|------|------------------|--------------------------------|------------|-----|------------------------|
|      |                  | belt tensioner<br>belt drive   | -01<br>02- |     | M96.01/02/04<br>M96.03 |
| 1    | A 996 102 016 62 | bracket                        | -98        | 1   |                        |
| 1    | A 996 102 016 64 | bracket                        | -98        | 1   |                        |
| 1    | 996 102 016 66   | bracket                        | -01        | 1   |                        |
| 1    | 996 102 016 67   | bracket                        | -01        | 1   |                        |
| 1    | 996 102 016 69   | bracket                        | 02-        | 1   | M96.03                 |
| 2    | 996 102 260 50   | tensioner                      |            | 1   |                        |
| 3    | 996 102 360 51   | lever                          |            | 1   |                        |
| 4    | A 999 072 039 09 | hexagon-head bolt<br>M 10 X 30 | -98        | 1   |                        |
| 4    | 999 072 041 09   | hexagon-head bolt<br>M 10 X 30 |            | 1   |                        |
| 5    | 900 067 117 09   | pan-head screw<br>M 6 X 16     |            | 1   |                        |
| 6    | 999 067 045 09   | pan-head screw<br>M 8 X 22     |            | 2   |                        |
| 7    | 996 102 365 50   | dust boot                      |            | 2   |                        |
| 8    | A 996 102 117 54 | tensioning roller              |            | 1   |                        |
| 8    | 996 102 117 56   | tensioning roller              |            | 1   | M 249                  |
| (8)  | 997 102 117 00   | tensioning roller              |            | 1   | M 480                  |
| 9    | 999 095 064 00   | dowel sleeve<br>12 M 6 X 13    |            | 2   |                        |
| 10   | 900 378 022 09   | hexagon-head bolt<br>AM 8 X 25 |            | 2   |                        |
| 11   | 900 378 108 09   | hexagon-head bolt<br>AM 8 X 35 |            | 2   |                        |
| 12   | A 996 102 119 57 | deflection roller              | -01        | 1   |                        |
| 12   | 996 102 119 58   | deflection roller              | 02-        | 1   | M 249                  |
| (12) | 997 102 119 00   | deflection roller              |            | 1   | M 480                  |
| 13   | A 996 102 127 52 | cover disc                     |            | 1   |                        |
| 13   | 996 102 127 54   | cover disc                     |            | 1   |                        |

|       |      |    |    |              |              |        |       |            |         |     |         |
|-------|------|----|----|--------------|--------------|--------|-------|------------|---------|-----|---------|
| Model | Year | MG | SG | Illustration | Restrictions | Update | 11:13 | 25.11.2005 | PORSCHE | PET | PORSCHE |
| 996   | 05   | 1  | 01 | 101-10       |              | 194    |       |            |         |     |         |

| Pos  | Part Number      | Name   | Remarks | Qty | Model | Pos | Part Number | Name | Remarks | Qty | Model |
|------|------------------|--|---------|-----|-------|-----|-------------|------|---------|-----|-------|
| 14   | 900 378 150 09   | hexagon-head bolt<br>AM 8 X 55<br>M >> 66X 06240<br>M >> 68X 02730 |         | 1   |       |     |             |      |         |     |       |
| 14   | A 900 378 159 09 | hexagon-head bolt  |         | 1   |       |     |             |      |         |     |       |
| 14   | 900 378 056 02   | hexagon-head bolt<br>AM 8 X 60<br>M 66X 06241 >><br>M 68X 02731 >> |         | 1   |       |     |             |      |         |     |       |
| 15   | A 996 102 118 53 | deflection roller  | -01     | 1   |       |     |             |      |         |     |       |
| 15   | 996 102 118 56   | deflection roller  | 02-     | 1   | M 249 |     |             |      |         |     |       |
| (15) | 997 102 118 00   | deflection roller  |         | 1   | M 480 |     |             |      |         |     |       |
| 16   | 996 102 125 52   | cover disc   |         | 1   |       |     |             |      |         |     |       |
| 16   | A 996 102 125 53 | cover disc   |         | 1   |       |     |             |      |         |     |       |
| 17   | 900 378 181 09   | hexagon-head bolt<br>M 10 X 145<br><br>- - - E N D - - -           |         | 1   |       |     |             |      |         |     |       |

|       |      |    |    |              |              |        |       |            |         |     |         |
|-------|------|----|----|--------------|--------------|--------|-------|------------|---------|-----|---------|
| Model | Year | MG | SG | Illustration | Restrictions | Update | 11:13 | 25.11.2005 | PORSCHE | PET | PORSCHE |
| 996   | 05   | 1  | 02 | 102-00       |              | 194    |       |            |         |     |         |

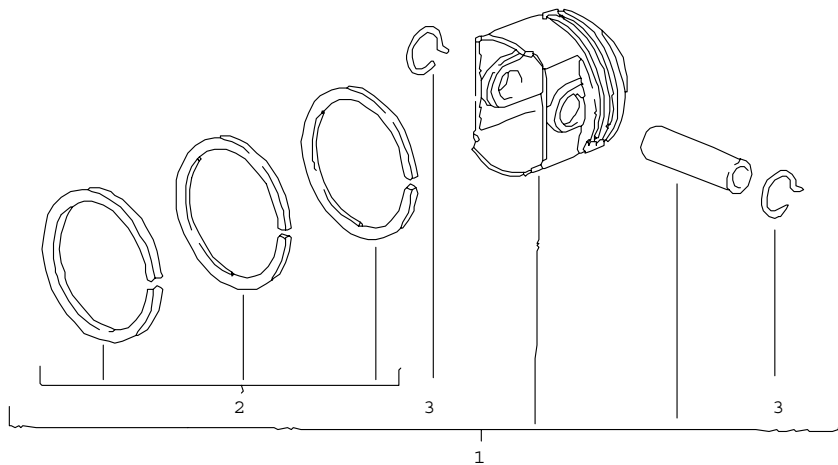


| Pos | Part Number      | Name   | Remarks    | Qty | Model                  |
|-----|------------------|--|------------|-----|------------------------|
|     |                  | crankshaft   | -01<br>02- |     | M96.01/02/04<br>M96.03 |
| 1   | A 996 102 011 54 | crankshaft   | 98         | 1   |                        |
| 1   | A 996 102 011 55 | crankshaft   | 99         | 1   |                        |
| 1   | 996 102 011 57   | crankshaft<br>see technical information<br>group 1<br>NR. 10/00  | 00         | 1   |                        |
| (1) | 996 102 011 56   | crankshaft<br>see technical information<br>group 1<br>NR. 10/00  | 01         | 1   |                        |
| (1) | 996 102 012 02   | crankshaft   | 02-        | 1   | M 96.03                |
| 2   | 900 095 031 01   | roll pin<br>6,0 X 16   |            | 1   |                        |
| 3   | A 900 012 154 00 | straight pin<br>A 4,0 X 10   | -01        | 1   |                        |
| 3   | 900 302 021 00   | straight pin<br>A 4,0 X 10   | 02-        | 1   | M 96.03                |
| 4   | 999 113 475 40   | shaft seal<br>40 X 62 X 10   |            | 1   |                        |
| 5   | A 999 113 476 40 | shaft seal<br>85 X 105 X 11  |            | 1   |                        |
| 5   | U 999 113 490 40 | shaft seal<br>85 X 105 X 11  |            | 1   |                        |
| 5   | 997 101 212 00   | shaft seal<br>85 x 105 x 11  |            | 1   |                        |
| 6   | 996 102 115 62   | pulley   | -01        | 1   |                        |
| (6) | 996 102 115 63   | pulley   | 02-        | 1   | M 96.03                |
| 7   | 900 082 085 09   | hexagon-head bolt<br>M 16 X 1,5 X 60   |            | 1   |                        |
| 8   | 996 102 315 50   | thrust washer  |            | 1   |                        |
| (9) | 996 103 975 01   | connecting rod<br>set<br>connecting rods<br>comprising:<br>6<br>connecting rods<br>see workshop manual<br>986 GR.1-1 | -01        | 1   |                        |

|       |      |    |    |              |              |        |       |            |         |     |         |
|-------|------|----|----|--------------|--------------|--------|-------|------------|---------|-----|---------|
| Model | Year | MG | SG | Illustration | Restrictions | Update | 11:13 | 25.11.2005 | PORSCHE | PET | PORSCHE |
| 996   | 05   | 1  | 02 | 102-00       |              | 194    |       |            |         |     |         |

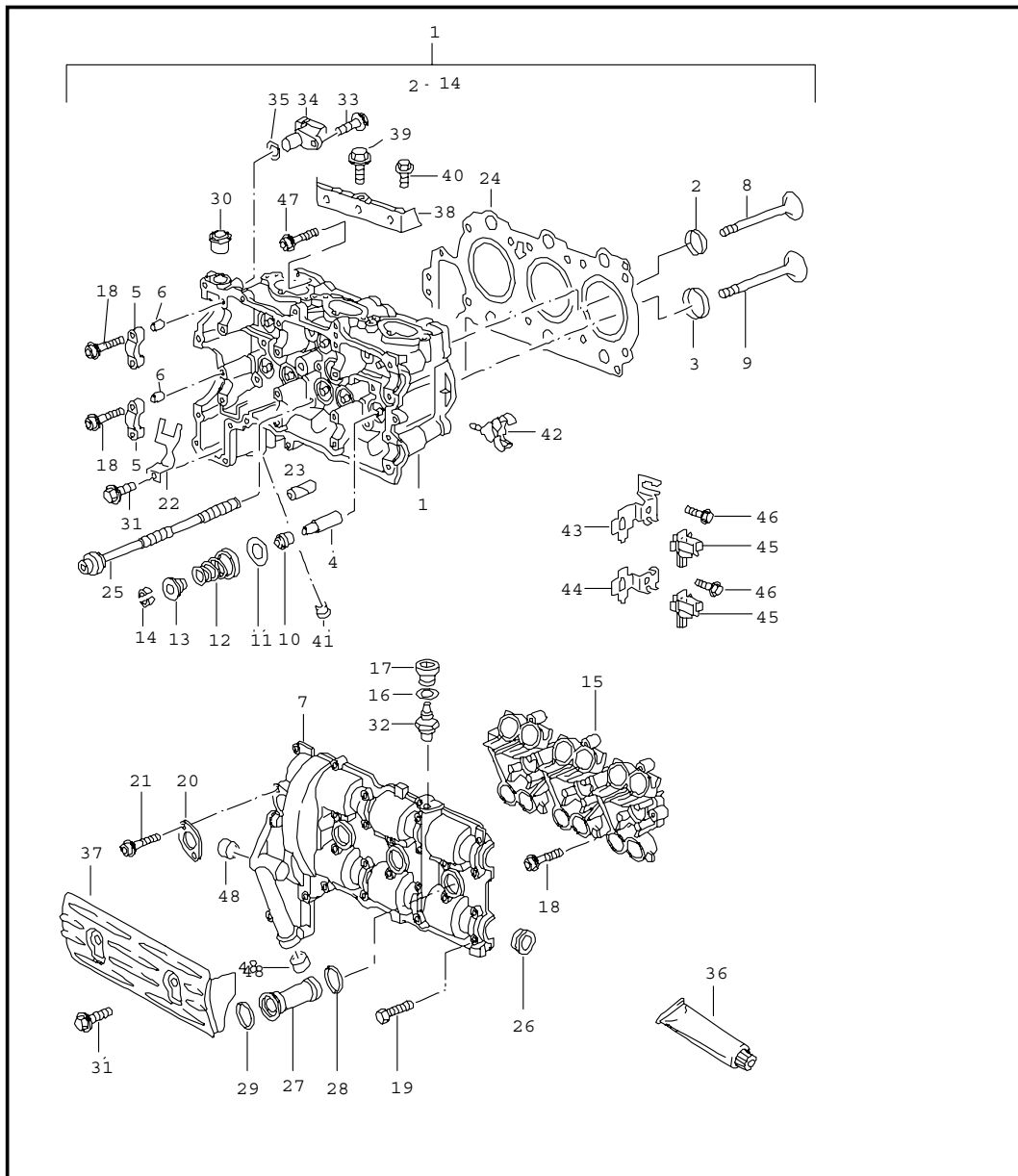
| Pos  | Part Number      | Name  | Remarks | Qty | Model   | Pos  | Part Number      | Name                                     | Remarks | Qty | Model   |
|------|------------------|---|---------|-----|---------|------|------------------|--|---------|-----|---------|
| (9)  | A 996 103 985 00 | connecting rod set<br>connecting rods comprising:<br>6<br>connecting rods see workshop manual<br>986 GR.1-1 | 02-     | 1   | M 96.03 | 19   | 999 052 210 00   | deep-groove ball bearing<br>15 X 35 X 11 |         | 1   |         |
|      |                  |   |         |     |         | 20   | 996 101 241 51   | gasket                                   |         | 1   |         |
|      |                  |   |         |     |         | 21   | 996 101 016 50   | oil separator                            | -01     | 1   |         |
|      |                  |   |         |     |         | (21) | 996 101 010 00   | oil separator                            | 02-     | 1   | M 96.03 |
| (9)  | 996 103 985 01   | connecting rod set<br>connecting rods comprising:<br>6<br>connecting rods see workshop manual<br>986 GR.1-1 | 02-     | 1   | M 96.03 | 22   | 996 101 242 51   | gasket                                   |         | 1   |         |
|      |                  |   |         |     |         | 23   | 999 218 005 02   | pan-head screw<br>M 6 X 16               |         | 6   |         |
|      |                  |   |         |     |         | 24   | A 996 101 129 51 | thrust washer                            |         | 2   |         |
|      |                  |   |         |     |         | (24) | 996 101 129 52   | thrust washer                            | -01     | 2   |         |
| 10   | 996 103 111 51   | connecting rod bush   |         | 6   |         | (24) | 996 101 132 00   | thrust washer                            | 02-     | 2   | M 96.03 |
| 11   | U 996 103 115 51 | connecting rod bolt   |         | 12  |         | 25   | 996 101 117 53   | straight pin                             |         | 1   |         |
| 11   | 997 103 115 01   | connecting rod bolt   |         | 12  |         | 26   | 996 101 018 51   | splash valve                             |         | 6   |         |
| 12   | 996 103 121 62   | connecting-rod bearing  |         | 12  |         | 27   | 996 102 151 65   | poly-rib belt                            |         | 1   |         |
| 13   | 996 101 205 10   | crankshaft bearing  | -01     | 14  |         | 27   | 996 102 151 64   | poly-rib belt                            |         | 1   | M 573   |
| 13   | 996 101 209 01   | crankshaft bearing  | 02-     | 14  | M 96.03 | 28   | 000 043 204 17   | grease<br>100 GR.                        |         | X   |         |
| 14   | 996 101 012 61   | gear carrier<br>use also:<br>996 101 018 51   | -98     | 1   |         |      |                  | - - - E N D - - -                        |         |     |         |
| (14) | 996 101 012 64   | gear carrier<br>use also:<br>996 101 018 51   | -98     | 1   |         |      |                  |  |         |     |         |
| (14) | 996 101 007 05   | gear carrier<br>use also:<br>996 101 018 51   | -01     | 1   |         |      |                  |  |         |     |         |
| (14) | 996 101 057 03   | gear carrier<br>use also:<br>996 101 018 51   | 02-     | 1   | M 96.03 |      |                  |  |         |     |         |
| 15   | 999 095 064 00   | dowel sleeve<br>12 M 6 X 13   |         | 3   |         |      |                  |  |         |     |         |
| 16   | 996 101 115 59   | screw<br>M 9 X 127  |         | 14  |         |      |                  |  |         |     |         |
| 17   | 996 114 012 03   | double-mass flywheel  |         | 1   |         |      |                  |  |         |     |         |
| 18   | 999 073 092 09   | pan-head screw<br>M 10 X 1 X 50   |         | 8   |         |      |                  |  |         |     |         |

|       |      |    |    |              |              |        |       |            |         |     |         |
|-------|------|----|----|--------------|--------------|--------|-------|------------|---------|-----|---------|
| Model | Year | MG | SG | Illustration | Restrictions | Update | 11:14 | 25.11.2005 | PORSCHE | PET | PORSCHE |
| 996   | 05   | 1  | 02 | 102-05       |              | 194    |       |            |         |     |         |



| Pos | Part Number      | Name   | Remarks | Qty | Model        |
|-----|------------------|--|---------|-----|--------------|
|     |                  | piston   | -01     |     | M96.01/02/04 |
|     |                  |  | 02-     |     | M96.03       |
| 1   | 996 103 051 18   | piston<br>tolerance range<br>X<br>number plate<br>-<br>544 - 547 G | -01     | 6   |              |
| 1   | 996 103 051 19   | piston<br>tolerance range<br>X<br>number plate<br>+<br>547 - 550 G | -01     | 6   |              |
| 1   | 996 103 052 09   | piston<br>tolerance range<br>X<br>number plate<br>-<br>526 - 532 G | 02-     | 6   | M 96.03      |
| 1   | 996 103 052 10   | piston<br>tolerance range<br>X<br>number plate<br>+<br>532 - 538 G | 02-     | 6   | M 96.03      |
| 2   | 996 103 053 02   | set of piston rings  | -01     | 6   |              |
| (2) | 996 103 053 04   | set of piston rings  | 02-     | 6   | M 96.03      |
| 3   | A 996 103 141 02 | circlip  | -99     | 12  |              |
| 3   | 996 103 141 03   | circlip  | 00-     | 12  |              |
|     |                  | - - - E N D - - -  |         |     |              |

|       |      |    |    |              |              |        |       |            |         |     |         |
|-------|------|----|----|--------------|--------------|--------|-------|------------|---------|-----|---------|
| Model | Year | MG | SG | Illustration | Restrictions | Update | 11:14 | 25.11.2005 | PORSCHE | PET | PORSCHE |
| 996   | 05   | 1  | 03 | 103-00       |              | 194    |       |            |         |     |         |



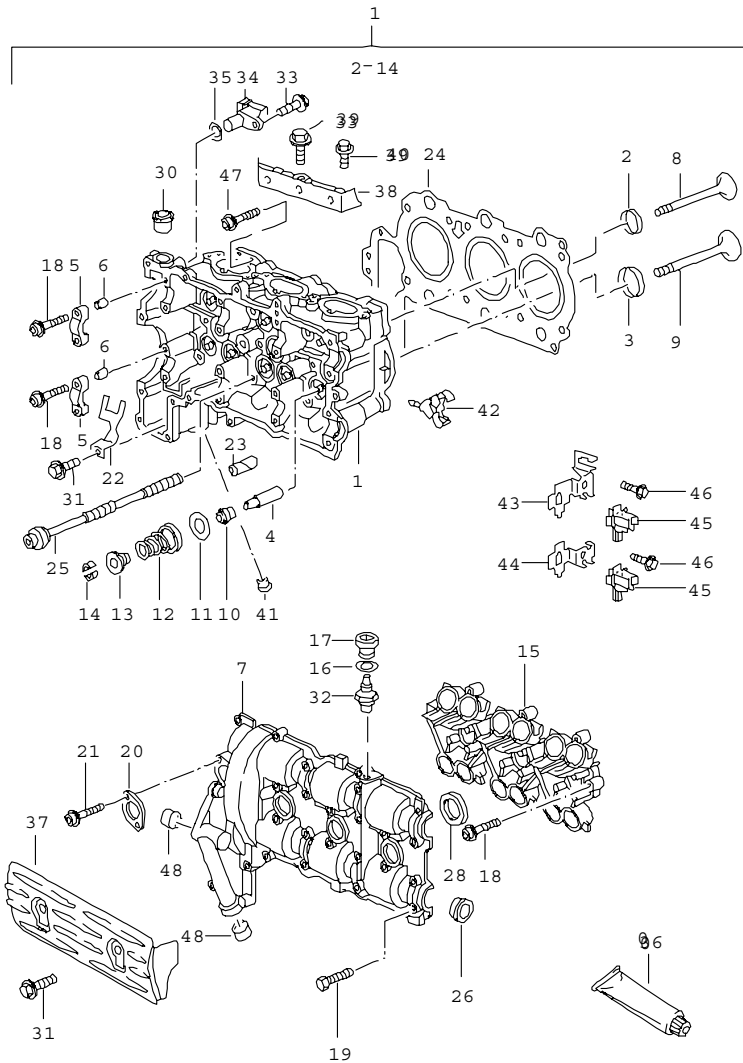
| Pos | Part Number      | Name                                       | Remarks | Qty | Model        |
|-----|------------------|--|---------|-----|--------------|
|     |                  | cylinder head                              | -01     |     | M96.01/02/04 |
| 1   | A 996 104 003 02 | cylinder head<br>cylinder<br>1-3           |         | 1   |              |
| 1   | A 996 104 003 03 | cylinder head<br>cylinder<br>1-3           |         | 1   |              |
| 1   | 996 104 003 05   | cylinder head<br>cylinder<br>1-3           |         | 1   |              |
| 1   | A 996 104 004 02 | cylinder head<br>cylinder<br>4-6           |         | 1   |              |
| 1   | A 996 104 004 03 | cylinder head<br>cylinder<br>4-6           |         | 1   |              |
| 1   | 996 104 004 05   | cylinder head<br>cylinder<br>4-6           |         | 1   |              |
| 5   | -                | housing<br>matching with:<br>cylinder head |         | 4   |              |
| 6   | 996 104 117 50   | dowel sleeve                               |         | 16  |              |
| 7   | -                | cover<br>matching with:<br>cylinder head   |         | 2   |              |
| 8   | 996 105 111 52   | intake valve                               |         | 12  |              |
| 9   | A 996 105 113 59 | exhaust valve                              | -98     | 12  |              |
| 9   | 996 105 247 00   | exhaust valve                              | 99-     | 12  |              |
| 10  | 996 105 115 52   | valve stem seal                            |         | 24  |              |
| 11  | 996 105 117 51   | concave washer                             |         | 24  |              |
| 12  | 996 105 119 53   | valve spring                               |         | 24  |              |
| 13  | 996 105 121 54   | concave washer                             |         | 24  |              |
| 14  | 996 105 123 51   | valve collet                               |         | 48  |              |
| 15  | 996 104 105 53   | housing                                    | -01     | 2   |              |
| 16  | N 013 814 8      | sealing ring<br>A 14 X 18                  |         | 1   |              |



|       |      |    |    |              |              |        |       |            |         |     |         |
|-------|------|----|----|--------------|--------------|--------|-------|------------|---------|-----|---------|
| Model | Year | MG | SG | Illustration | Restrictions | Update | 11:14 | 25.11.2005 | PORSCHE | PET | PORSCHE |
| 996   | 05   | 1  | 03 | 103-00       |              | 194    |       |            |         |     |         |

| Pos  | Part Number      | Name  | Remarks | Qty | Model | Pos  | Part Number    | Name                          | Remarks | Qty | Model |
|------|------------------|---|---------|-----|-------|------|----------------|-------------------------------|---------|-----|-------|
| 16   | 900 123 007 30   | sealing ring<br>A 14 X 18                     |         | 1   |       | 30   | 996 104 207 53 | connection piece              |         | 1   |       |
| 17   | 900 219 018 30   | screw plug<br>M 14 X 1,5                      |         | 1   |       | 31   | 900 378 163 09 | hexagon-head bolt<br>M 6 X 16 |         | 5   |       |
| 18   | 900 067 316 02   | screw<br>M 6 X 35                             |         | 38  |       | 32   | 996 606 203 00 | oil pressure switch           |         | 1   |       |
| 19   | U 900 378 177 09 | hexagon-head bolt                             |         | 23  |       | 33   | 999 218 005 02 | pan-head screw<br>M 6 X 16    |         | 2   | M 660 |
| (19) | 999 217 155 09   | hexagon-head bolt<br>AM 6 X 30                |         | 23  |       | 34   | 996 606 106 02 | hall sender                   |         | 2   | M 660 |
| 20   | A 996 105 223 51 | cover   |         | 2   |       | 35   | 999 707 404 40 | o-ring<br>17,05 X 1,78        |         | 1   | M 660 |
| 20   | 996 105 223 52   | cover   |         | 2   |       | 36   | 000 043 203 73 | sealing compound<br>30 ML     |         | X   |       |
| 21   | 900 378 030 09   | hexagon-head bolt<br>M 6 X 20                 |         | 4   |       | (36) | 000 043 204 35 | sealing compound<br>50 ML     |         | X   |       |
| 22   | 996 104 233 01   | cover plate                                   |         | 1   |       | 37   | 996 104 425 02 | cover plate                   |         | 2   |       |
| 23   | 000 043 203 64   | assembly kit<br>for<br>valve stem seal        |         | 1   |       | 38   | 996 104 125 00 | bracket                       |         | 2   |       |
| 23   | 000 043 204 46   | sleeve<br>for<br>valve stem seal              |         | 1   |       | 39   | 900 378 108 09 | hexagon-head bolt<br>M 8 X 35 |         | 4   |       |
| 24   | 996 104 270 05   | cylinder head gasket<br>cylinder<br>1 - 3     |         | 1   |       | 40   | 900 378 017 09 | hexagon-head bolt<br>M 8 X 20 |         | 2   |       |
| (24) | 996 104 269 00   | cylinder head gasket<br>cylinder<br>4 - 6     |         | 1   |       | 41   | 999 036 026 02 | cover<br>10 MM                |         | X   |       |
| 25   | 996 104 180 56   | screw<br>M 10 X 230                           |         | 24  |       | 42   | 999 507 075 40 | cable holder<br>3,0 - 12      |         | 2   |       |
| 25   | 996 104 180 58   | screw<br>M 10 X 230                           |         | 24  |       | 43   | 996 607 105 00 | support                       |         | 1   |       |
| 26   | 996 104 215 54   | cover   |         | 6   |       | 44   | 996 607 103 00 | support                       |         | 1   |       |
| 27   | 996 105 325 52   | pipe<br>use also:<br>grease<br>999 917 788 00 |         | 6   |       | 45   | 986 607 104 00 | support                       |         | 2   |       |
| 28   | 999 707 343 40   | o-ring<br>25,07 X 2,62                        |         | 6   |       | 46   | 900 378 036 09 | hexagon-head bolt<br>M 6 X 12 |         | 2   |       |
| 29   | 999 707 215 40   | o-ring<br>27,94 X 5,33                        |         | 6   |       | 47   | 900 067 377 09 | pan-head screw<br>M 6 X 30    |         | 8   |       |
|      |                  |   |         |     |       | 48   | 900 036 023 02 | cover<br>D 18                 |         | 2   |       |
|      |                  |   |         |     |       |      |                | - - - E N D - - -             |         |     |       |

|       |      |    |    |              |              |        |       |            |         |     |         |
|-------|------|----|----|--------------|--------------|--------|-------|------------|---------|-----|---------|
| Model | Year | MG | SG | Illustration | Restrictions | Update | 11:14 | 25.11.2005 | PORSCHE | PET | PORSCHE |
| 996   | 05   | 1  | 03 | 103-01       |              | 194    |       |            |         |     |         |

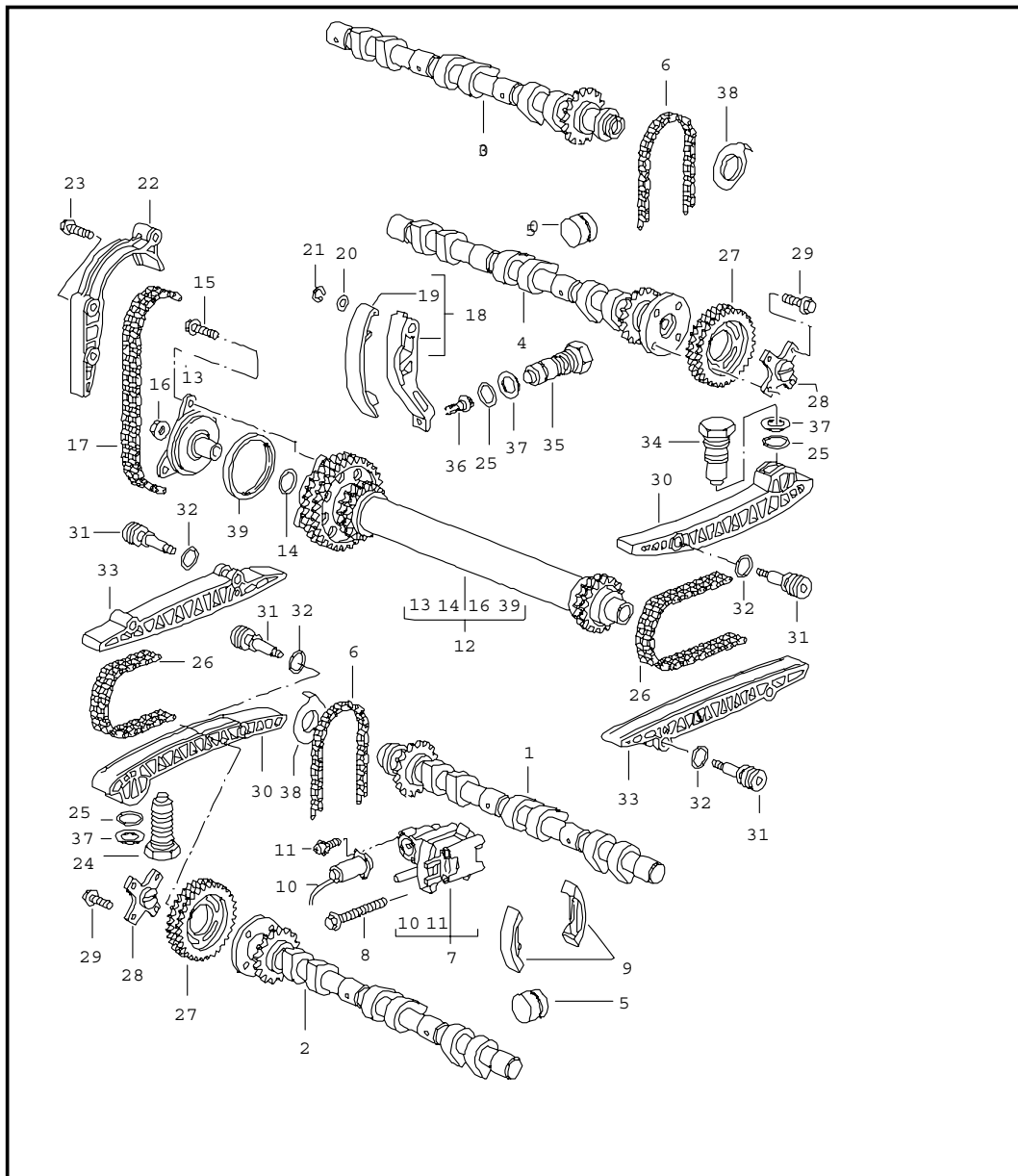


| Pos | Part Number    | Name  | Remarks | Qty | Model  |
|-----|----------------|---|---------|-----|--------|
|     |                | cylinder head                                 | 02-     |     | M96.03 |
| 1   | 996 104 903 00 | cylinder head<br>cyl. 1 - 3                   |         | 1   |        |
| 1   | 996 104 905 00 | cylinder head<br>cyl. 1 - 3                   |         | 1   | X51    |
| (1) | 996 104 904 00 | cylinder head<br>cyl. 4 - 6<br>M >> 663 09950 |         | 1   |        |
| (1) | 996 104 908 00 | cylinder head<br>cyl. 4 - 6<br>M 663 09951 >> |         | 1   |        |
| (1) | 996 104 906 00 | cylinder head<br>cyl. 4 - 6<br>M >> 683 00433 |         | 1   | X51    |
| (1) | 996 104 910 00 | cylinder head<br>cyl. 4 - 6<br>M 683 00434 >> |         | 1   | X51    |
| 5   | -              | housing<br>matching with:<br>cylinder head    |         | 4   |        |
| 6   | 996 104 117 50 | dowel sleeve                                  |         | 16  |        |
| 7   | -              | cover<br>matching with:<br>cylinder head      |         | 2   |        |
| 8   | 996 105 271 00 | intake valve                                  |         | 12  |        |
| 9   | 996 105 273 01 | exhaust valve                                 |         | 12  |        |
| 9   | 996 105 273 03 | exhaust valve                                 |         | 12  |        |
| 10  | 996 105 115 52 | valve stem seal                               |         | 24  |        |
| 11  | 996 105 117 51 | concave washer<br>lower                       |         | 12  |        |
| 12  | 996 105 118 00 | valve spring<br>exhaust                       |         | 12  |        |
| 12  | 996 105 118 01 | valve spring<br>exhaust                       |         | 12  |        |
| 13  | 996 105 121 54 | concave washer<br>upper                       |         | 12  |        |
| --  | 996 105 147 00 | concave washer<br>lower                       |         | 12  |        |

|       |      |    |    |              |              |        |       |            |         |     |         |
|-------|------|----|----|--------------|--------------|--------|-------|------------|---------|-----|---------|
| Model | Year | MG | SG | Illustration | Restrictions | Update | 11:14 | 25.11.2005 | PORSCHE | PET | PORSCHE |
| 996   | 05   | 1  | 03 | 103-01       |              | 194    |       |            |         |     |         |

| Pos | Part Number    | Name   | Remarks | Qty | Model | Pos | Part Number    | Name                          | Remarks | Qty | Model |
|-----|----------------|--|---------|-----|-------|-----|----------------|-------------------------------|---------|-----|-------|
| --  | 996 105 939 00 | set of valve springs intake  |         | 12  |       | 31  | 900 378 163 09 | hexagon-head bolt<br>M 6 X 16 |         | 5   |       |
| --  | 996 105 145 00 | concave washer upper   |         | 12  |       | 32  | 996 606 203 00 | oil pressure switch           |         | 1   |       |
| 14  | 996 105 123 51 | valve collet   |         | 48  |       | 33  | 999 218 005 02 | pan-head screw<br>M 6 X 16    |         | 2   | M 660 |
| 15  | 996 104 042 00 | housing<br>cam follower<br>hydraulic<br>cam follower<br>hydraulic<br>cam follower<br>hydraulic | 02      | 2   |       | 34  | 996 606 106 02 | hall sender                   | -02     | 2   | M 660 |
|     |                |  |         |     |       | 34  | 996 606 106 03 | hall sender                   | 03-     | 2   |       |
|     |                |  |         |     |       | 35  | 999 707 404 40 | o-ring<br>17,05 X 1,78        |         | 1   | M 660 |
| 16  | 900 123 007 30 | sealing ring<br>A 14 X 18  |         | 1   |       | 36  | 000 043 204 35 | sealing compound<br>50 ML     |         | X   |       |
| 17  | 900 219 018 30 | screw plug<br>M 14 X 1,5   |         | 1   |       | 37  | 996 104 445 01 | cover plate                   |         | 2   |       |
|     |                |  |         |     |       | 37  | 996 104 445 02 | cover plate                   |         | 2   |       |
| 18  | 900 067 316 02 | screw<br>M 6 X 35  |         | 38  |       | 38  | 996 104 126 00 | bracket                       |         | 2   |       |
| 19  | 999 217 155 09 | hexagon-head bolt<br>AM 6 X 30   |         | 23  |       | 39  | 900 378 022 09 | hexagon-head bolt<br>M 8 X 35 |         | 4   |       |
| 20  | 996 105 244 02 | cover  |         | 4   |       | 40  | 900 378 017 09 | hexagon-head bolt<br>M 8 X 20 |         | 2   |       |
| 20  | 996 105 244 03 | cover  |         | 4   |       | 41  | 999 036 026 02 | cover<br>10 MM                |         | X   |       |
| 21  | 900 378 030 09 | hexagon-head bolt<br>M 6 X 20  |         | 4   |       | 42  | 999 507 075 40 | cable holder<br>3,0 - 12      |         | 2   |       |
| 22  | 996 104 233 01 | cover plate  |         | 1   |       | 47  | 900 067 377 09 | pan-head screw<br>M 6 X 30    |         | 8   |       |
| 23  | 000 043 204 46 | sleeve<br>for<br>valve stem seal   |         | 1   |       | 48  | 900 036 023 02 | cover<br>D 18                 |         | 2   |       |
| 24  | 996 104 201 02 | cylinder head gasket   |         | 2   |       | --  | 996 104 216 02 | cover                         |         | 2   |       |
| 25  | 996 104 180 58 | screw<br>M 10 X 230  |         | 24  |       | --  | 996 105 703 01 | oil strainer                  |         | 2   |       |
| 26  | 996 104 215 54 | cover  |         | 4   |       |     |                | - - - E N D - - -             |         |     |       |
| 27  | 996 105 325 52 | pipe   |         | 6   |       |     |                |                               |         |     |       |
| 28  | 996 104 203 00 | gasket   |         | 6   |       |     |                |                               |         |     |       |
| 29  | 999 701 761 40 | o-ring<br>28 X 2   |         | 6   |       |     |                |                               |         |     |       |
| 30  | 996 104 207 53 | connection piece   |         | 1   |       |     |                |                               |         |     |       |

|       |      |    |    |              |              |        |       |            |         |     |         |
|-------|------|----|----|--------------|--------------|--------|-------|------------|---------|-----|---------|
| Model | Year | MG | SG | Illustration | Restrictions | Update | 11:14 | 25.11.2005 | PORSCHE | PET | PORSCHE |
| 996   | 05   | 1  | 03 | 103-10       |              | 194    |       |            |         |     |         |



| Pos | Part Number      | Name                                | Remarks | Qty | Model        |
|-----|------------------|-------------------------------------|---------|-----|--------------|
| 1   | 996 105 221 55   | camshaft driving mechanism          | -01     | 1   | M96.01/02/04 |
| 2   | 996 105 222 55   | camshaft intake cylinder 1 - 3      |         | 1   |              |
| 3   | 996 105 216 55   | camshaft exhaust cylinder 1 - 3     |         | 1   |              |
| 4   | 996 105 218 55   | camshaft intake cylinder 4 - 6      |         | 1   |              |
| 5   | A 996 105 041 50 | hydraulic valve tappet              |         | 24  |              |
| 5   | 996 105 041 72   | hydraulic valve tappet              |         | 24  |              |
| 6   | 996 105 170 53   | timing chain                        |         | 2   |              |
| 7   | A 996 105 051 57 | tensioner cylinder 1 - 3            | -98     | 1   |              |
| 7   | 996 105 051 58   | tensioner cylinder 1 - 3            | 99-     | 1   |              |
| (7) | A 996 105 053 57 | tensioner cylinder 4 - 6            | -98     | 1   |              |
| (7) | 996 105 053 58   | tensioner cylinder 4 - 6            | 99-     | 1   |              |
| 8   | 900 067 372 09   | screw M 6 X 95                      |         | 6   |              |
| 9   | 996 105 253 00   | parts kit guide piece               |         | 1   |              |
| 10  | 996 605 901 00   | solenoid valve cylinder 1 - 3 black |         | 1   |              |

|       |      |    |    |              |              |        |       |            |         |     |         |
|-------|------|----|----|--------------|--------------|--------|-------|------------|---------|-----|---------|
| Model | Year | MG | SG | Illustration | Restrictions | Update | 11:14 | 25.11.2005 | PORSCHE | PET | PORSCHE |
| 996   | 05   | 1  | 03 | 103-10       |              | 194    |       |            |         |     |         |

| Pos  | Part Number      | Name   | Remarks | Qty | Model | Pos  | Part Number      | Name   | Remarks | Qty | Model |
|------|------------------|--|---------|-----|-------|------|------------------|--|---------|-----|-------|
| 10   | 996 605 902 00   | solenoid valve<br>cylinder<br>4 - 6<br>grey<br>see workshop manual<br>GR.1<br>15/05/33                                       |         | 1   |       | (13) | 996 105 024 01   | housing<br>M 661 14165 >><br>see technical information<br>group 1<br>NR. 10/00     |         | 1   |       |
| 11   | 999 141 032 07   | screw<br>see technical information<br>group 1<br>NR. 10/00   |         | 2   |       | 14   | 999 707 392 40   | o-ring<br>7 X 2<br>see technical information<br>group 1<br>NR. 10/00               |         | 1   |       |
| 12   | A 996 105 015 58 | intermediate shaft<br>see technical information<br>group 1<br>NR. 10/00  | -98     | 1   |       | 15   | U 900 378 156 09 | hexagon-head bolt<br>M 6 X 20<br>see technical information<br>group 1<br>NR. 10/00 |         | 3   |       |
| 12   | A 996 105 015 63 | intermediate shaft<br>see technical information<br>group 1<br>NR. 10/00  | -00     | 1   |       | (15) | 999 217 150 09   | hexagon-head bolt<br>M 6 X 20<br>see technical information<br>group 1<br>NR. 10/00 |         | 3   |       |
| (12) | 996 105 901 00   | intermediate shaft<br>see technical information<br>group 1<br>NR. 10/00  | -00     | 1   |       | 16   | 900 380 019 02   | hexagon nut<br>M 8 X 1<br>see technical information<br>group 1<br>NR. 10/00        |         | 1   |       |
| (12) | 996 105 901 01   | intermediate shaft<br>M >> 661 14164<br>see technical information<br>group 1<br>NR. 10/00                                    | 01      | 1   |       | 17   | 996 105 171 55   | timing chain<br>see technical information<br>group 1<br>NR. 10/00                  | -00     | 1   |       |
| (12) | 996 105 901 02   | intermediate shaft<br>M 661 14165 >><br>see technical information<br>group 1<br>NR. 10/00                                    |         | 1   |       | (17) | 996 105 171 56   | timing chain<br>see technical information<br>group 1<br>NR. 10/00                  | 01      | 1   |       |
| 13   | U 999 707 391 40 | o-ring<br>52 X 2,5<br>see technical information<br>group 1<br>NR. 10/00<br>see technical information<br>group 1<br>NR. 10/00 |         | 1   |       | 18   | 996 105 165 55   | tensioner blade<br>see technical information<br>group 1<br>NR. 10/00               |         | 1   |       |
| 13   | 996 105 017 02   | housing<br>M >> 661 14164<br>see technical information<br>group 1<br>NR. 10/00   |         | 1   |       | 19   | 996 105 195 00   | pad<br>see technical information<br>group 1<br>NR. 10/00                           |         | 1   |       |
|      |                  |  |         |     |       | 20   | 900 234 040 01   | shim<br>10 X 16 X 1,2<br>see technical information<br>group 1<br>NR. 10/00         |         | 1   |       |

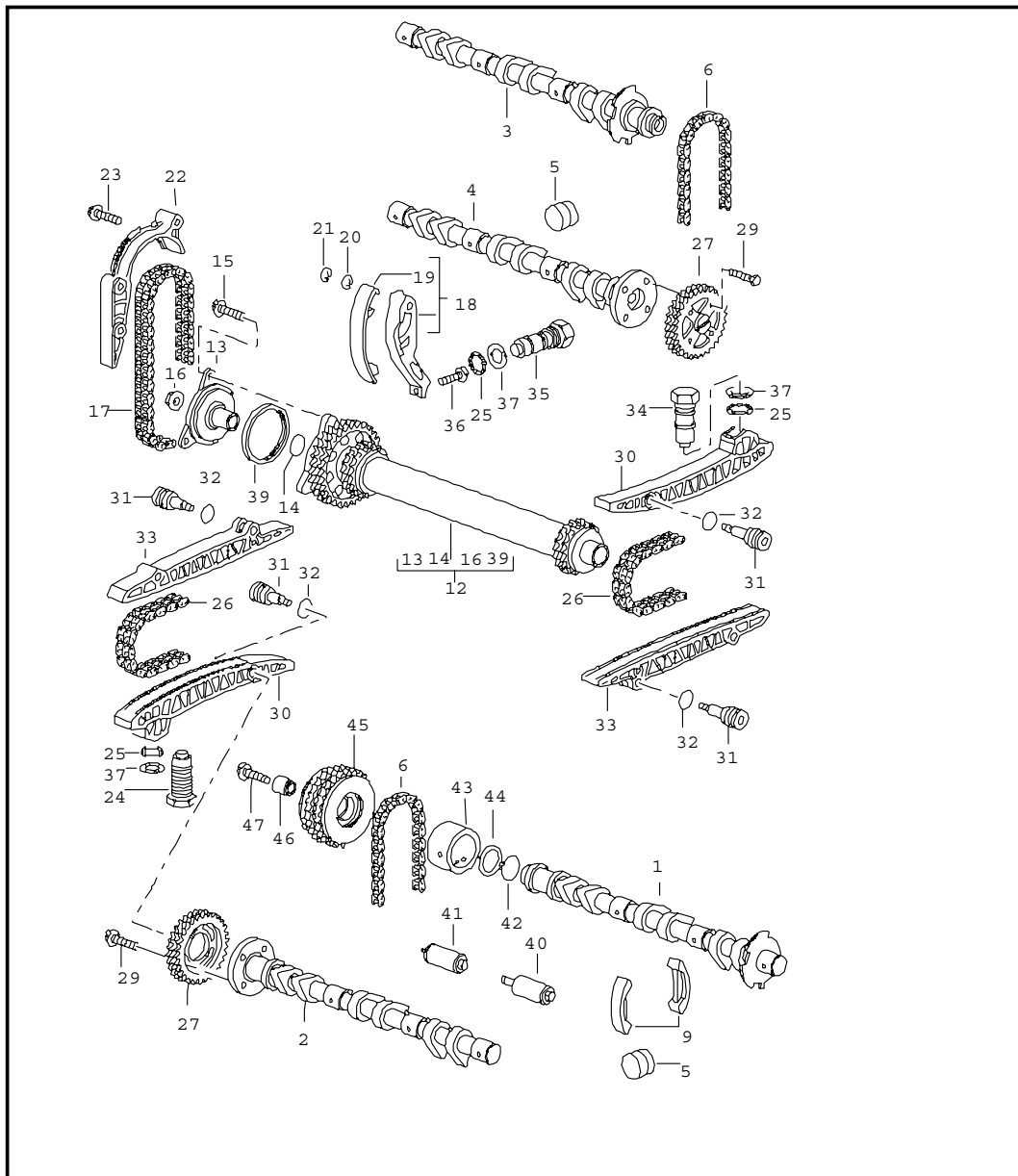
|       |      |    |    |              |              |        |       |            |         |     |         |
|-------|------|----|----|--------------|--------------|--------|-------|------------|---------|-----|---------|
| Model | Year | MG | SG | Illustration | Restrictions | Update | 11:14 | 25.11.2005 | PORSCHE | PET | PORSCHE |
| 996   | 05   | 1  | 03 | 103-10       |              | 194    |       |            |         |     |         |

| Pos  | Part Number    | Name  | Remarks | Qty | Model | Pos | Part Number    | Name  | Remarks | Qty | Model |
|------|----------------|---|---------|-----|-------|-----|----------------|---|---------|-----|-------|
| 21   | 900 041 004 01 | circlip<br>10 X 1<br>see technical information<br>group 1<br>NR. 10/00          |         | 1   |       | 29  | 900 378 162 09 | hexagon-head bolt<br>M 6 X 15<br>for<br>996 105 178 52<br>see technical information<br>group 1<br>NR. 10/00 |         | 8   |       |
| 22   | 996 105 166 51 | guide piece<br>see technical information<br>group 1<br>NR. 10/00                |         | 1   |       | 29  | 900 378 204 09 | hexagon-head bolt<br>M 6 X 12<br>for<br>996 105 178 53<br>see technical information<br>group 1<br>NR. 10/00 |         | 8   |       |
| 23   | 900 075 486 01 | screw<br>AM 6 X 40<br>see technical information<br>group 1<br>NR. 10/00         |         | 3   |       | 29  | 900 378 242 09 | hexagon-head bolt<br>M 6 X 12<br>for<br>996 105 178 53<br>see technical information<br>group 1<br>NR. 10/00 |         | 8   |       |
| 24   | 996 105 179 58 | chain adjuster<br>see technical information<br>group 1<br>NR. 10/00             |         | 1   |       | 30  | 996 105 175 52 | tensioner blade<br>see technical information<br>group 1<br>NR. 10/00  |         | 2   |       |
| 25   | 999 707 344 40 | o-ring<br>18,77 X 1,78<br>see technical information<br>group 1<br>NR. 10/00     |         | 3   |       | 31  | 996 105 162 52 | screw<br>M 6<br>see technical information<br>group 1<br>NR. 10/00   |         | 6   |       |
| 26   | 996 105 177 52 | timing chain<br>see technical information<br>group 1<br>NR. 10/00               |         | 2   |       | 32  | 999 707 346 40 | o-ring<br>15 X 3<br>see technical information<br>group 1<br>NR. 10/00                                       |         | 6   |       |
| 27 A | 996 105 178 52 | sprocket<br>see technical information<br>group 1<br>NR. 10/00                   | -98     | 2   |       | 33  | 996 105 173 53 | guide piece<br>see technical information<br>group 1<br>NR. 10/00  |         | 2   |       |
| 27 A | 996 105 178 53 | sprocket<br>see technical information<br>group 1<br>NR. 10/00                   | -98     | 2   |       | 34  | 996 105 176 51 | chain adjuster<br>see technical information<br>group 1<br>NR. 10/00   |         | 1   |       |
| (27) | 996 105 178 54 | sprocket<br>with<br>driver<br>see technical information<br>group 1<br>NR. 10/00 |         | 2   |       | 35  | 996 105 180 54 | chain adjuster<br>see technical information<br>group 1<br>NR. 10/00   | -00     | 1   |       |
| 28 A | 996 105 185 54 | driver<br>see technical information<br>group 1<br>NR. 10/00                     | -98     | 2   |       |     |                |   |         |     |       |

|       |      |    |    |              |              |        |       |            |         |     |         |
|-------|------|----|----|--------------|--------------|--------|-------|------------|---------|-----|---------|
| Model | Year | MG | SG | Illustration | Restrictions | Update | 11:14 | 25.11.2005 | PORSCHE | PET | PORSCHE |
| 996   | 05   | 1  | 03 | 103-10       |              | 194    |       |            |         |     |         |

| Pos  | Part Number    | Name  | Remarks | Qty | Model | Pos | Part Number | Name | Remarks | Qty | Model |
|------|----------------|---|---------|-----|-------|-----|-------------|------|---------|-----|-------|
| 35   | 996 105 180 55 | chain adjuster<br>see technical information<br>group 1<br>NR. 10/00 | -00     | 1   |       |     |             |      |         |     |       |
| (35) | 996 105 180 56 | chain adjuster<br>see technical information<br>group 1<br>NR. 10/00 | 01      | 1   |       |     |             |      |         |     |       |
| 36   | 996 105 197 00 | pressure pin  |         | 1   |       |     |             |      |         |     |       |
| 37   | 900 123 147 30 | sealing ring<br>A 27 X 32   |         | 3   |       |     |             |      |         |     |       |
| 38   | 996 105 129 52 | rotor trim  |         | 1   |       |     |             |      |         |     |       |
| 39   | 996 105 112 01 | gasket<br>see technical information<br>group 1<br>NR. 10/00         |         | 1   |       |     |             |      |         |     |       |
|      |                | - - - E N D - - -   |         |     |       |     |             |      |         |     |       |

|       |      |    |    |              |              |        |       |            |         |     |         |
|-------|------|----|----|--------------|--------------|--------|-------|------------|---------|-----|---------|
| Model | Year | MG | SG | Illustration | Restrictions | Update | 11:14 | 25.11.2005 | PORSCHE | PET | PORSCHE |
| 996   | 05   | 1  | 03 | 103-11       |              | 194    |       |            |         |     |         |



| Pos | Part Number      | Name                             | Remarks | Qty | Model  |
|-----|------------------|----------------------------------|---------|-----|--------|
| 1   | 996 105 035 00   | camshaft driving mechanism       | 02-     | 1   | M96.03 |
| 1   | 996 105 035 40   | camshaft intake cylinder 1 - 3   |         | 1   | X51    |
| 2   | U 996 105 262 05 | camshaft exhaust cylinder 1 - 3  |         | 1   |        |
| (2) | 996 105 059 00   | camshaft exhaust cyl. 1 - 3      |         | 1   |        |
| 3   | 996 105 036 00   | camshaft intake cylinder 4 - 6   |         | 1   |        |
| 3   | 996 105 036 40   | camshaft intake cylinder 4 - 6   |         | 1   | X51    |
| 4   | U 996 105 264 05 | camshaft exhaust cylinder 4 - 6  |         | 1   |        |
| (4) | 996 105 060 00   | camshaft exhaust cyl. 4 - 6      |         | 1   |        |
| 5   | 996 105 041 72   | hydraulic valve tappet exhaust   |         | 12  |        |
| (5) | 996 105 255 20   | hydraulic valve tappet intake    |         | 12  |        |
| 6   | 996 105 168 03   | rail                             |         | 2   |        |
| 7   | 996 105 051 03   | camshaft adjuster cylinder 1 - 3 |         | 1   |        |
| 8   | 900 067 372 09   | screw M 6 X 95                   |         | 6   |        |
| 9   | 996 105 253 00   | parts kit guide piece            |         | 1   |        |



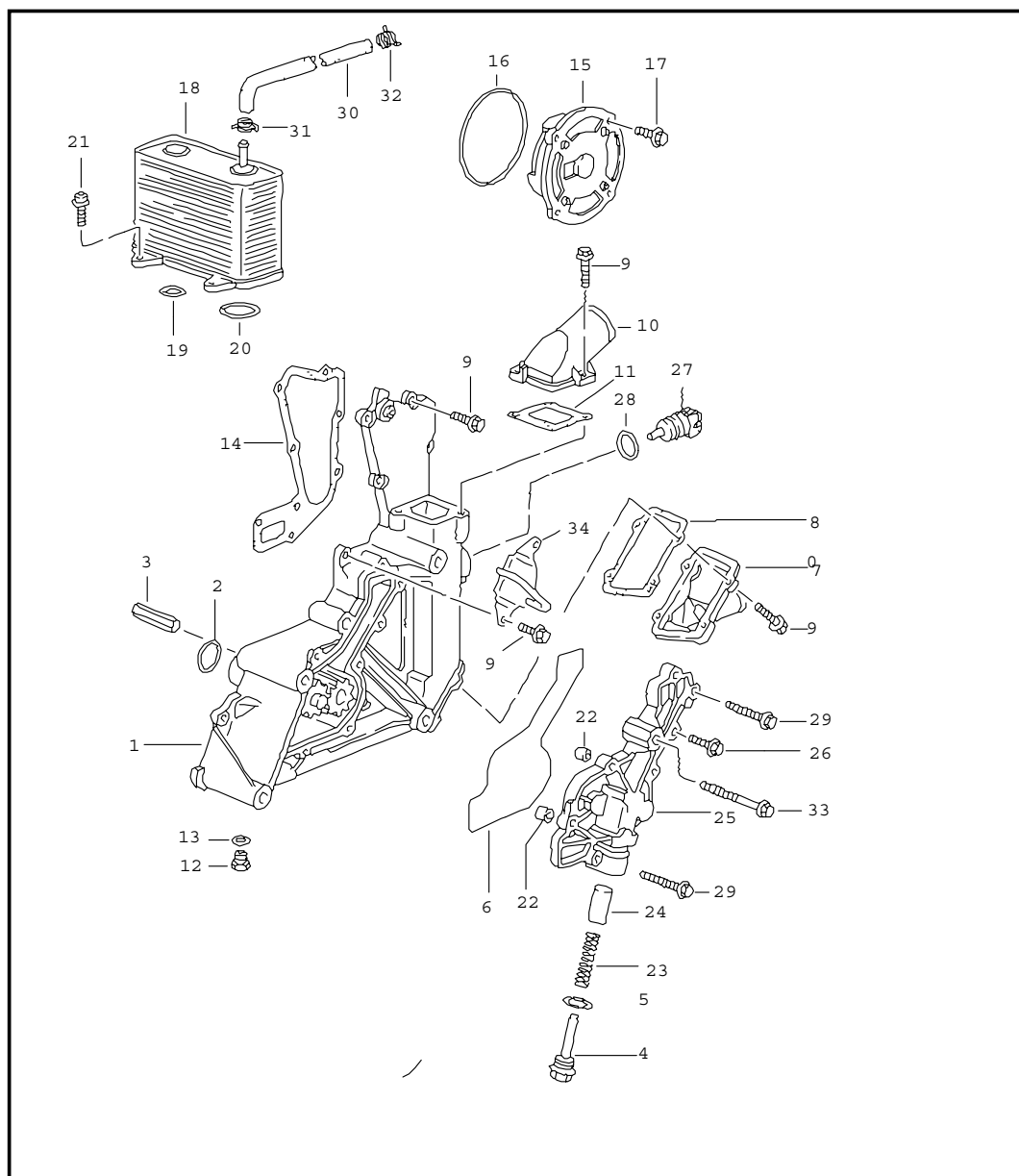
|       |      |    |    |              |              |        |       |            |         |     |         |
|-------|------|----|----|--------------|--------------|--------|-------|------------|---------|-----|---------|
| Model | Year | MG | SG | Illustration | Restrictions | Update | 11:14 | 25.11.2005 | PORSCHE | PET | PORSCHE |
| 996   | 05   | 1  | 03 | 103-11       |              | 194    |       |            |         |     |         |

| Pos | Part Number    | Name   | Remarks | Qty | Model | Pos  | Part Number    | Name  | Remarks | Qty | Model |
|-----|----------------|--|---------|-----|-------|------|----------------|---|---------|-----|-------|
| 10  | 996 605 901 00 | solenoid valve<br>cylinder<br>1 - 3<br>black   |         | 1   |       | 30   | 996 105 156 00 | tensioner blade<br>cylinder<br>1 - 3                        |         | 1   |       |
| 10  | 996 605 902 00 | solenoid valve<br>cylinder<br>4 - 6<br>grey<br>see workshop manual<br>GR.1<br>15/05/33 |         | 1   |       | (30) | 996 105 158 00 | tensioner blade<br>cylinder<br>4-6                          |         | 1   |       |
| 11  | 999 141 032 07 | screw  |         | 2   |       | 31   | 996 105 162 52 | screw<br>M 6  |         | 6   |       |
| 12  | 996 105 901 02 | intermediate shaft   |         | 1   |       | 32   | 999 707 346 40 | o-ring<br>15 X 3  |         | 6   |       |
| 13  | 996 105 024 01 | housing  |         | 1   |       | 33   | 996 105 054 01 | guide piece<br>cylinder 1<br>until<br>cyl. 3                |         | 1   |       |
| 14  | 999 707 392 40 | o-ring<br>7 X 2  |         | 1   |       | (33) | 996 105 164 00 | guide piece<br>cyl. 4<br>until<br>cyl. 6                    |         | 1   |       |
| 15  | 999 217 150 09 | hexagon-head bolt<br>M 6 X 20  |         | 3   |       | 34   | 996 105 188 00 | chain adjuster  |         | 1   |       |
| 16  | 900 380 019 02 | hexagon nut<br>M 8 X 1   |         | 1   |       | 35   | 996 105 180 55 | chain adjuster  |         | 1   |       |
| 17  | 996 105 171 56 | timing chain   |         | 1   |       | 35   | 996 105 180 56 | chain adjuster  |         | 1   |       |
| 18  | 996 105 165 55 | tensioner blade  |         | 1   |       | 36   | 996 105 197 00 | pressure pin  |         | 1   |       |
| 19  | 996 105 195 00 | pad  |         | 1   |       | 37   | 900 123 147 30 | sealing ring<br>A 27 X 32                                   |         | 3   |       |
| 20  | 900 234 040 01 | shim<br>10 X 16 X 1,2  |         | 1   |       | 38   | 996 105 129 52 | rotor trim  |         | 1   |       |
| 21  | 900 041 004 01 | circlip<br>10 X 1  |         | 1   |       | 39   | 996 105 112 01 | gasket<br>see technical information<br>group 1<br>NR. 10/00 |         | 1   |       |
| 22  | 996 105 166 51 | guide piece  |         | 1   |       | 40 A | 996 105 301 02 | actuator  |         | 2   |       |
| 23  | 900 075 486 01 | screw<br>AM 6 X 40   |         | 3   |       | 40   | 996 105 301 03 | actuator<br>valve   |         | 2   |       |
| 24  | 996 105 186 00 | chain adjuster   |         | 1   |       | --   | 996 105 903 03 | o-ring  |         | X   |       |
| 25  | 999 707 344 40 | o-ring<br>18,77 X 1,78   |         | 3   |       | --   | 996 105 310 03 | support   |         | 2   |       |
| 26  | 996 105 152 00 | timing chain   |         | 2   |       | --   | 999 651 386 02 | cable clamp   |         | 4   |       |
| 27  | 996 105 178 54 | sprocket<br>with<br>driver   |         | 2   |       | 41 A | 996 105 303 02 | actuator  |         | 2   |       |
| 29  | 900 378 242 09 | hexagon-head bolt<br>M 6 X 12  |         | 8   |       | 41   | 996 105 303 05 | actuator<br>camshaft  |         | 2   |       |

|       |      |    |    |              |              |        |       |            |         |     |         |
|-------|------|----|----|--------------|--------------|--------|-------|------------|---------|-----|---------|
| Model | Year | MG | SG | Illustration | Restrictions | Update | 11:14 | 25.11.2005 | PORSCHE | PET | PORSCHE |
| 996   | 05   | 1  | 03 | 103-11       |              | 194    |       |            |         |     |         |

| Pos  | Part Number    | Name   | Remarks | Qty | Model | Pos | Part Number | Name | Remarks | Qty | Model |
|------|----------------|--|---------|-----|-------|-----|-------------|------|---------|-----|-------|
| --   | 996 105 903 05 | o-ring   |         | X   |       |     |             |      |         |     |       |
| --   | 996 105 256 01 | support  |         | 2   |       |     |             |      |         |     |       |
| 42   | 996 105 280 50 | ring   |         | 4   |       |     |             |      |         |     |       |
| 43   | 996 104 205 06 | bearing sleeve   |         | 2   |       |     |             |      |         |     |       |
| 44   | 996 105 203 00 | washer   |         | 2   |       |     |             |      |         |     |       |
| 45   | 996 105 051 03 | camshaft adjuster<br>camshaft<br>intake<br>cylinder<br>1 - 3 |         | 1   |       |     |             |      |         |     |       |
| (45) | 996 105 052 01 | camshaft adjuster<br>camshaft<br>intake<br>cylinder<br>4 - 6 |         | 1   |       |     |             |      |         |     |       |
| 46   | 996 105 260 01 | intermediate piece   |         | 2   |       |     |             |      |         |     |       |
| 47   | 996 105 254 00 | hexagon-head bolt  |         | 2   |       |     |             |      |         |     |       |
|      |                | - - - E N D - - -  |         |     |       |     |             |      |         |     |       |

|       |      |    |    |              |              |        |       |            |         |     |         |
|-------|------|----|----|--------------|--------------|--------|-------|------------|---------|-----|---------|
| Model | Year | MG | SG | Illustration | Restrictions | Update | 11:15 | 25.11.2005 | PORSCHE | PET | PORSCHE |
| 996   | 05   | 1  | 04 | 104-00       |              | 194    |       |            |         |     |         |

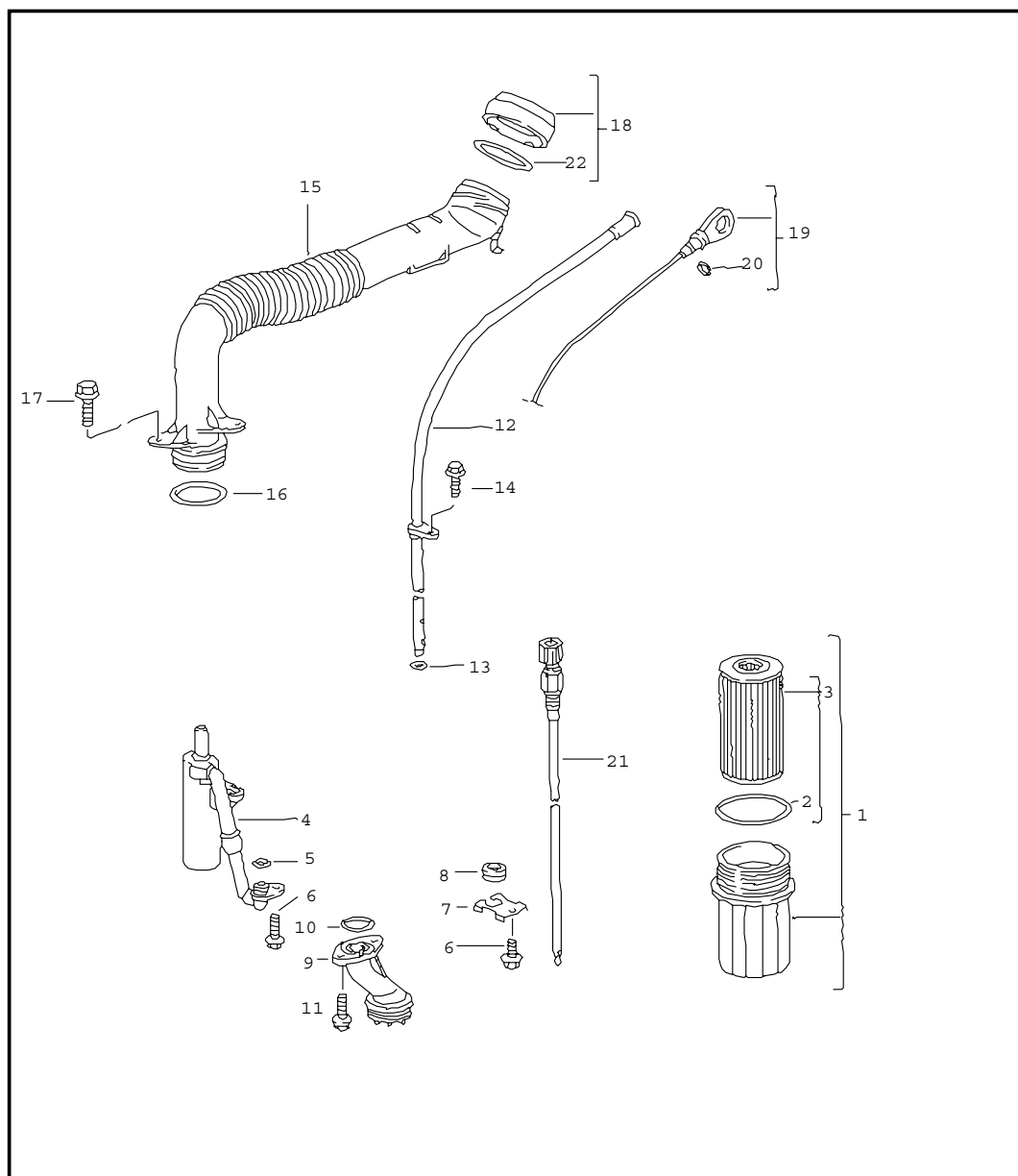


| Pos | Part Number    | Name   | Remarks    | Qty | Model                  |
|-----|----------------|--|------------|-----|------------------------|
|     |                | oil pump   | -01<br>02- |     | M96.01/02/04<br>M96.03 |
| 1   | 996 107 012 58 | oil pump   |            | 1   |                        |
| 2   | 996 107 103 51 | o-ring<br>29,1 X 2,55<br>use also:<br>grease<br>999 917 788 00 |            | 2   |                        |
| 3   | 996 107 121 50 | driver   |            | 1   |                        |
| 4   | 996 107 105 51 | screw plug   |            | 1   |                        |
| 5   | 996 107 123 50 | gasket   |            | 1   |                        |
| 6   | 996 107 261 50 | sealing ring   |            | 1   |                        |
| 7   | 996 106 220 51 | connection piece   |            | 1   |                        |
| 8   | 996 106 316 51 | gasket   |            | 1   |                        |
| 9   | 900 378 030 09 | hexagon-head bolt<br>M 6 X 20                                  |            | 14  |                        |
| 10  | 996 106 216 53 | connection piece   |            | 1   |                        |
| 11  | 996 106 321 50 | gasket   |            | 1   |                        |
| 12  | 900 219 007 02 | screw plug<br>M 10 X 1   |            | 1   |                        |
| 13  | 900 123 144 30 | sealing ring<br>A 10 X 13,5                                    |            | 1   |                        |
| 14  | 996 107 337 50 | gasket   |            | 1   |                        |
| 15  | 996 107 021 54 | oil pump   | -01        | 2   |                        |
| 15  | 996 107 021 55 | oil pump   | 02-        | 2   |                        |
| 16  | 996 107 221 51 | o-ring<br>95 X 2,5<br>use also:<br>grease<br>999 917 788 00    |            | 2   |                        |
| 17  | 999 217 150 09 | hexagon-head bolt<br>M 6 X 20                                  |            | 8   |                        |
| 18  | 996 107 025 57 | heat exchanger   |            | 1   |                        |
| 19  | 999 707 409 40 | o-ring<br>26 X 3   |            | 2   |                        |
| 20  | 999 707 389 40 | o-ring<br>35 X 4   |            | 2   |                        |

|       |      |    |    |              |              |        |       |            |         |     |         |
|-------|------|----|----|--------------|--------------|--------|-------|------------|---------|-----|---------|
| Model | Year | MG | SG | Illustration | Restrictions | Update | 11:15 | 25.11.2005 | PORSCHE | PET | PORSCHE |
| 996   | 05   | 1  | 04 | 104-00       |              | 194    |       |            |         |     |         |

| Pos | Part Number      | Name                            | Remarks | Qty | Model | Pos | Part Number | Name | Remarks | Qty | Model |
|-----|------------------|---------------------------------|---------|-----|-------|-----|-------------|------|---------|-----|-------|
| 21  | 900 067 380 09   | pan-head screw<br>M 6 X 18      |         | 4   |       |     |             |      |         |     |       |
| 22  | 996 106 103 50   | dowel sleeve<br>8,2 X 7         |         | 2   |       |     |             |      |         |     |       |
| 23  | 996 107 127 53   | spring                          |         | 1   |       |     |             |      |         |     |       |
| 24  | 996 107 125 51   | piston                          |         | 1   |       |     |             |      |         |     |       |
| 25  | 996 107 212 53   | cover<br>for<br>996 107 012 56  |         | 1   |       |     |             |      |         |     |       |
| 25  | 996 107 212 54   | cover<br>for<br>996 107 012 57  |         | 1   |       |     |             |      |         |     |       |
| 26  | 900 075 333 02   | hexagon-head bolt<br>M 6 X 25   |         | 7   |       |     |             |      |         |     |       |
| 27  | 996 606 405 01   | temperature sensor              | -01     | 1   |       |     |             |      |         |     |       |
| 27  | 996 606 410 00   | temperature sensor              | 02-     | 1   |       |     |             |      |         |     |       |
| 28  | ---              | sealing ring                    |         | 1   |       |     |             |      |         |     |       |
| 29  | 900 378 151 09   | hexagon-head bolt<br>M 6 X 70   |         | 2   |       |     |             |      |         |     |       |
| 30  | 996 106 230 53   | breather hose                   | 01      | 1   |       |     |             |      |         |     |       |
| 31  | 999 512 554 00   | hose clamp<br>12 - 22 MM        |         | 1   |       |     |             |      |         |     |       |
| 32  | 999 512 652 09   | hose clamp<br>19 X 12           | 99-     | 1   |       |     |             |      |         |     |       |
| 33  | 900 378 098 09   | hexagon-head bolt<br>AM 10 X 60 |         | 1   |       |     |             |      |         |     |       |
| 34  | A 996 102 235 00 | clip                            |         | 1   | M 573 |     |             |      |         |     |       |
| 34  | 996 102 235 01   | clip                            |         | 1   | M 573 |     |             |      |         |     |       |
|     |                  | - - - E N D - - -               |         |     |       |     |             |      |         |     |       |

|       |      |    |    |              |              |        |       |            |         |     |         |
|-------|------|----|----|--------------|--------------|--------|-------|------------|---------|-----|---------|
| Model | Year | MG | SG | Illustration | Restrictions | Update | 11:15 | 25.11.2005 | PORSCHE | PET | PORSCHE |
| 996   | 05   | 1  | 04 | 104-05       |              | 194    |       |            |         |     |         |

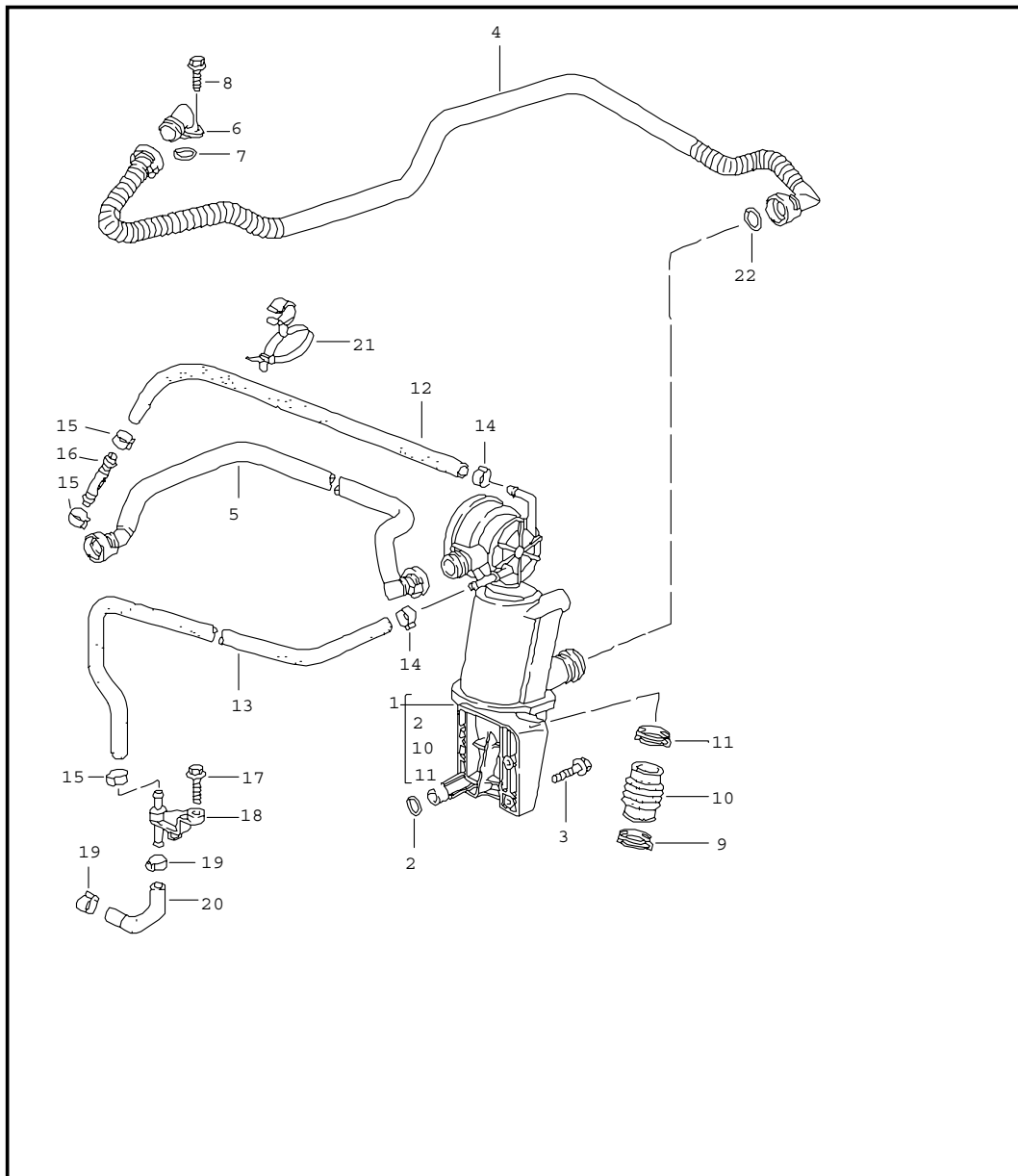


| Pos | Part Number      | Name                          | Remarks | Qty | Model        |
|-----|------------------|-------------------------------|---------|-----|--------------|
|     |                  | engine lubrication            | -01     |     | M96.01/02/04 |
|     |                  | see technical information     | 02-     |     | M96.03       |
|     |                  | group 1                       |         |     |              |
|     |                  | NR.1/02 NR.2/02               |         |     |              |
| 1   | 996 107 020 54   | oil filter                    |         | 1   |              |
| 2   | 996 107 313 51   | sealing ring                  |         | 1   |              |
|     |                  | use also:                     |         |     |              |
|     |                  | grease                        |         | 1   |              |
|     |                  | 999 917 788 00                |         |     |              |
| 3   | A 996 107 225 52 | filter element                |         | 1   |              |
| 3   | 996 107 225 53   | filter element                |         | 1   |              |
| 4   | 996 107 080 54   | oil separator                 |         | 2   |              |
| 5   | 999 701 789 40   | o-ring<br>12 X 2              |         | 2   |              |
| 6   | 900 378 036 09   | hexagon-head bolt<br>M 6 X 12 |         | 5   |              |
| 7   | 996 107 333 50   | support                       |         | 1   |              |
| 8   | 999 702 206 50   | grommet<br>9,5 X 18,0 X 1,2   |         | 1   |              |
| 9   | 996 107 075 57   | suction tube                  |         | 1   |              |
| 10  | 999 707 375 40   | o-ring<br>30 X 3              |         | 1   |              |
| 11  | 900 378 030 09   | hexagon-head bolt<br>M 6 X 20 |         | 2   |              |
| 12  | 996 107 113 56   | guide tube                    |         | 1   |              |
| 13  | 999 707 369 40   | o-ring<br>9,5 X 3,5           |         | 1   |              |
|     |                  | use also:                     |         |     |              |
|     |                  | grease                        |         | 1   |              |
|     |                  | 999 917 788 00                |         |     |              |
| 14  | 900 378 035 09   | hexagon-head bolt<br>M 6 X 16 |         | 1   |              |
| 15  | 996 107 150 60   | filler tube                   |         | 1   |              |
| 16  | 999 707 348 40   | o-ring<br>42 X 4              |         | 1   |              |
|     |                  | use also:                     |         |     |              |
|     |                  | grease                        |         | 1   |              |
|     |                  | 999 917 788 00                |         |     |              |

|       |      |    |    |              |              |        |       |            |         |     |         |
|-------|------|----|----|--------------|--------------|--------|-------|------------|---------|-----|---------|
| Model | Year | MG | SG | Illustration | Restrictions | Update | 11:15 | 25.11.2005 | PORSCHE | PET | PORSCHE |
| 996   | 05   | 1  | 04 | 104-05       |              | 194    |       |            |         |     |         |

| Pos  | Part Number      | Name                                 | Remarks | Qty | Model  | Pos | Part Number | Name | Remarks | Qty | Model |
|------|------------------|--------------------------------------|---------|-----|--------|-----|-------------|------|---------|-----|-------|
| 17   | 900 378 163 09   | hexagon-head bolt<br>M 6 X 16        |         | 2   |        |     |             |      |         |     |       |
| 18   | A 996 107 035 50 | cover                                |         | 1   |        |     |             |      |         |     |       |
| (18) | 996 107 035 51   | cover                                |         | 1   |        |     |             |      |         |     |       |
| 19   | 996 107 014 54   | oil level dipstick<br>M >> 662 11795 |         | 1   | M96.03 |     |             |      |         |     |       |
| (19) | 996 107 014 55   | oil level dipstick<br>M 662 11796 >> |         | 1   | M96.03 |     |             |      |         |     |       |
| 20   | 999 707 402 40   | o-ring<br>8 X 2,0                    |         | 1   |        |     |             |      |         |     |       |
| 21   | 996 606 150 00   | oil-level sender                     |         | 1   |        |     |             |      |         |     |       |
| --   | 999 650 168 40   | plug socket                          |         | 1   |        |     |             |      |         |     |       |
| --   | 999 650 214 12   | connector                            |         | 4   |        |     |             |      |         |     |       |
| --   | 999 650 215 40   | gasket                               |         | 4   |        |     |             |      |         |     |       |
| 22   | A 999 707 285 40 | o-ring<br>51 X 4,5                   |         | 1   |        |     |             |      |         |     |       |
| (22) | 996 107 336 00   | gasket                               |         | 1   |        |     |             |      |         |     |       |
|      |                  | - - - E N D - - -                    |         |     |        |     |             |      |         |     |       |

|       |      |    |    |              |              |        |       |            |         |     |         |
|-------|------|----|----|--------------|--------------|--------|-------|------------|---------|-----|---------|
| Model | Year | MG | SG | Illustration | Restrictions | Update | 11:15 | 25.11.2005 | PORSCHE | PET | PORSCHE |
| 996   | 05   | 1  | 04 | 104-10       |              | 194    |       |            |         |     |         |



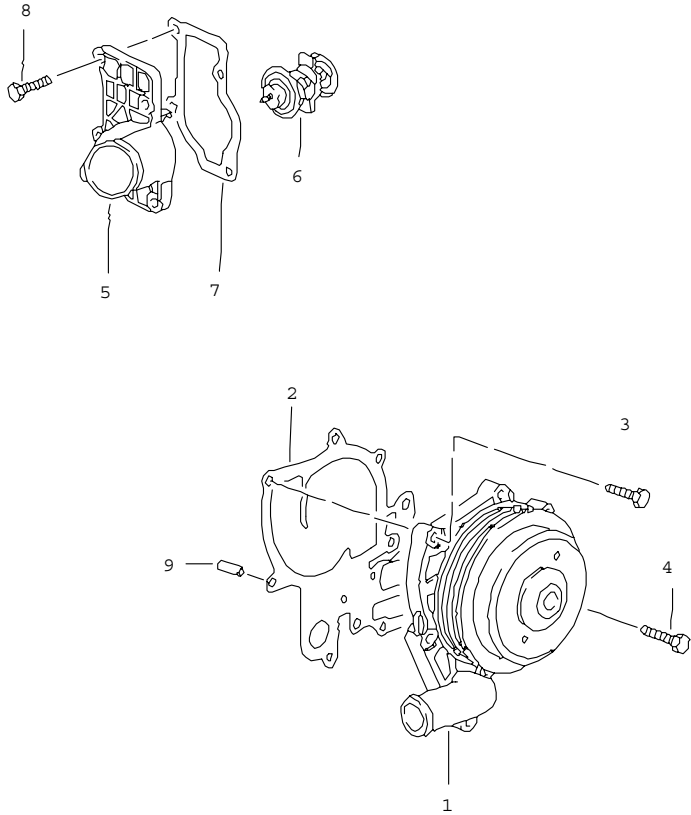
| Pos  | Part Number      | Name                          | Remarks | Qty | Model        |
|------|------------------|-------------------------------|---------|-----|--------------|
|      |                  | crankcase bleeding            | -01     |     | M96.01/02/04 |
|      |                  |                               | 02-     |     | M96.03       |
| 1    | 996 107 023 54   | oil separator                 | -01     | 1   |              |
| (1)  | 996 107 026 50   | oil separator                 | 02-     | 1   | M 96.03      |
| (2)  | 999 707 507 40   | o-ring<br>29,74 X 2,95        | 02-     | 1   | M 96.03      |
| 2    | 996 107 122 00   | sealing ring<br>14 X 1,78     | -01     | 1   |              |
| 3    | 900 378 177 09   | hexagon-head bolt<br>M 6 X 30 |         | 2   |              |
| 4    | 996 107 147 55   | breather hose                 | -01     | 1   |              |
| 5    | 996 107 145 55   | breather hose                 | -01     | 1   |              |
| (5)  | 996 107 145 30   | vent line                     | -01     | 1   | M 339        |
|      |                  |                               | 02-     |     | M 96.03      |
| (5)  | 996 107 147 59   | vent line                     | 02-     | 1   | M 96.03      |
| 6    | 996 107 047 51   | connection piece              |         | 1   |              |
| 7    | 999 707 154 40   | o-ring<br>18,77 X 1,78        |         | 1   |              |
| 8    | 900 378 163 09   | hexagon-head bolt<br>M 6 X 16 |         | 1   |              |
| 9    | 999 512 630 00   | hose clamp<br>32 X 12         |         | 1   |              |
| (9)  | 999 512 683 09   | clip<br>23 X 12               | 02-     | 2   | M 96.03      |
| 10   | A 996 107 237 51 | bellows                       |         | 1   |              |
| (10) | 996 107 237 52   | bellows                       | -01     | 1   |              |
| (10) | 996 107 175 50   | oil hose                      | 02-     | 1   | M 96.03      |
| 11   | 999 512 551 00   | hose clamp<br>30 X 12         | -01     | 1   |              |
| 12   | 996 106 208 50   | hose                          |         | 1   |              |
| 13   | 996 106 224 51   | hose                          |         | 1   |              |
| 14   | 999 512 498 00   | hose clamp<br>13,1 - 15,3     |         | 2   |              |
| 15   | 999 512 568 02   | clamp<br>13,9 - 16,1          |         | 3   |              |

|       |      |    |    |              |              |        |       |            |         |     |         |
|-------|------|----|----|--------------|--------------|--------|-------|------------|---------|-----|---------|
| Model | Year | MG | SG | Illustration | Restrictions | Update | 11:15 | 25.11.2005 | PORSCHE | PET | PORSCHE |
| 996   | 05   | 1  | 04 | 104-10       |              | 194    |       |            |         |     |         |

| Pos | Part Number      | Name                          | Remarks | Qty | Model | Pos | Part Number | Name | Remarks | Qty | Model |
|-----|------------------|-------------------------------|---------|-----|-------|-----|-------------|------|---------|-----|-------|
| 16  | 999 137 052 40   | intermediate piece<br>GS 8    |         | 1   |       |     |             |      |         |     |       |
| 17  | 900 378 035 09   | hexagon-head bolt<br>M 6 X 16 |         | 1   |       |     |             |      |         |     |       |
| 18  | A 996 106 226 51 | socket                        |         | 1   |       |     |             |      |         |     |       |
| 18  | 996 106 226 52   | socket                        |         | 1   |       |     |             |      |         |     |       |
| 19  | 999 512 633 00   | clamp<br>15,6 - 17,8          |         | 2   |       |     |             |      |         |     |       |
| 20  | 996 106 223 52   | hose                          |         | 1   |       |     |             |      |         |     |       |
| 21  | 999 507 644 40   | hose holder<br>8-33/-13       |         | 1   |       |     |             |      |         |     |       |
| 22  | 999 707 446 40   | o-ring<br>18,0 X 2,5          |         | 4   |       |     |             |      |         |     |       |
|     |                  | - - - E N D - - -             |         |     |       |     |             |      |         |     |       |

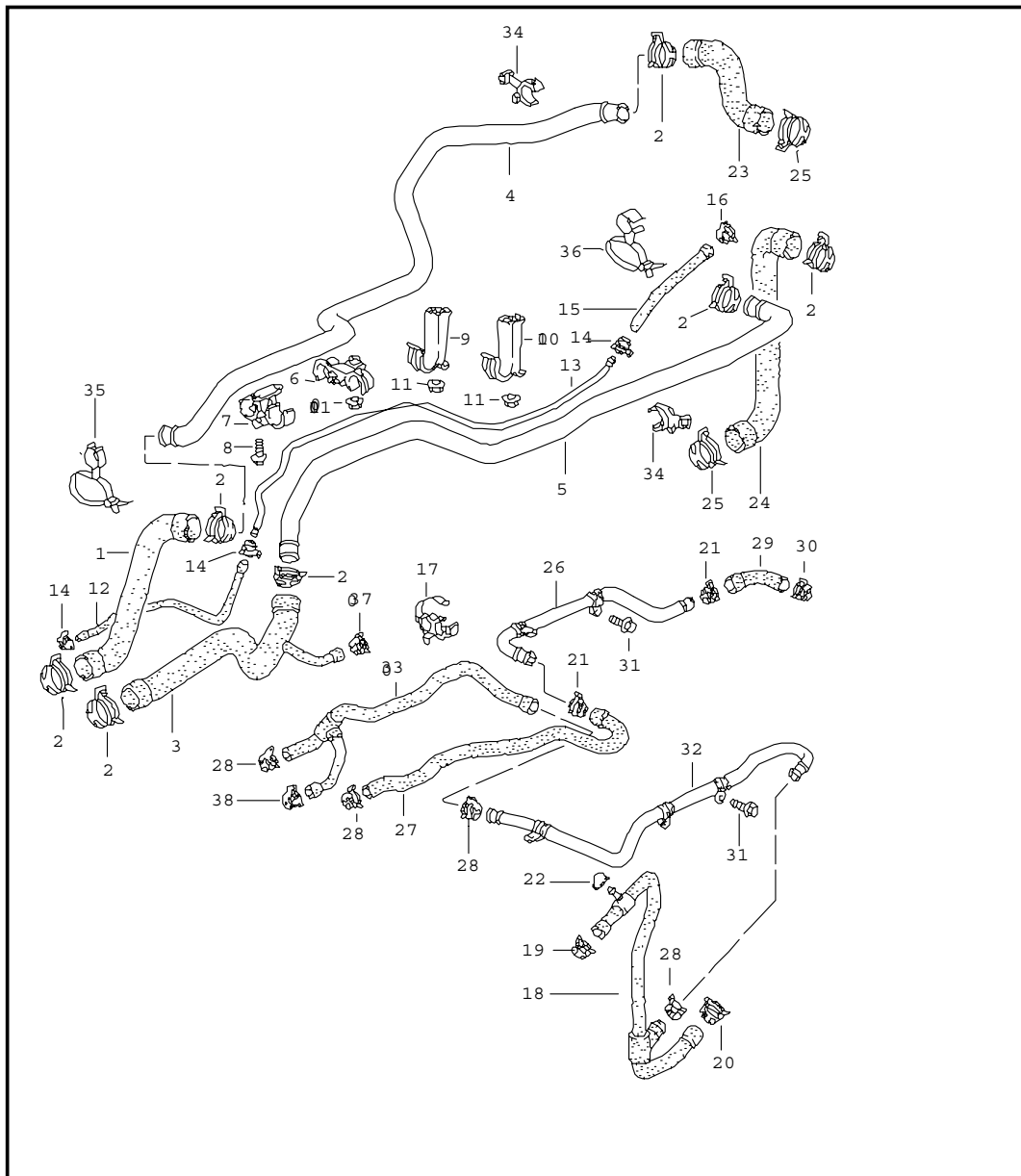


|       |      |    |    |              |              |        |       |            |         |     |         |
|-------|------|----|----|--------------|--------------|--------|-------|------------|---------|-----|---------|
| Model | Year | MG | SG | Illustration | Restrictions | Update | 11:15 | 25.11.2005 | PORSCHE | PET | PORSCHE |
| 996   | 05   | 1  | 05 | 105-00       |              | 194    |       |            |         |     |         |



| Pos               | Part Number    | Name                             | Remarks    | Qty | Model                  |
|-------------------|----------------|----------------------------------|------------|-----|------------------------|
|                   |                | water pump<br>thermostat housing | -01<br>02- |     | M96.01/02/04<br>M96.03 |
| 1                 | 996 106 011 51 | water pump                       |            | 1   |                        |
| 2                 | 996 106 340 51 | gasket                           |            | 1   |                        |
| 3                 | 900 378 013 09 | hexagon-head bolt<br>M 6 X 25    |            | 5   |                        |
| 4                 | 900 378 177 09 | hexagon-head bolt<br>AM 6 X 30   |            | 2   |                        |
| 5                 | 996 106 121 53 | cover                            |            | 1   |                        |
| 6                 | 996 106 125 52 | thermostat insert                |            | 1   |                        |
| 7                 | 996 106 326 50 | gasket                           |            | 1   |                        |
| 8                 | 900 378 030 09 | hexagon-head bolt<br>M 6 X 20    |            | 4   |                        |
| 9                 | 996 106 103 50 | dowel sleeve<br>8,2 X 7          |            | 2   |                        |
| - - - E N D - - - |                |                                  |            |     |                        |

|       |      |    |    |              |              |        |       |            |         |     |         |
|-------|------|----|----|--------------|--------------|--------|-------|------------|---------|-----|---------|
| Model | Year | MG | SG | Illustration | Restrictions | Update | 11:15 | 25.11.2005 | PORSCHE | PET | PORSCHE |
| 996   | 05   | 1  | 05 | 105-05       |              | 194    |       |            |         |     |         |



| Pos | Part Number    | Name                          | Remarks    | Qty | Model                  |
|-----|----------------|-------------------------------|------------|-----|------------------------|
|     |                | water cooling 1               | -01<br>02- |     | M96.01/02/04<br>M96.03 |
| 1   | 996 106 640 54 | water hose                    |            | 1   | M 338                  |
| 1   | 996 106 840 05 | hose                          | 02-        | 1   | M 338                  |
| 1   | 996 106 740 04 | water hose                    | 99-01      | 1   | M 339                  |
| 1   | 996 106 740 73 | hose                          | 02-        | 1   | M 339                  |
| 2   | 999 512 348 02 | hose clamp<br>49 X 12         |            | 8   |                        |
| 3   | 996 106 641 56 | hose                          | -98        | 1   | M 480                  |
| 3   | 996 106 641 58 | hose                          | 99-01      | 1   | M 480                  |
| 3   | 996 106 841 04 | hose                          | 02-        | 1   | M 338/480              |
| 3   | 996 106 741 06 | hose                          | 99-01      | 1   | M 339/480              |
| 3   | 996 106 888 02 | hose                          | 02-        | 1   | M 339/480              |
| (3) | 996 106 641 59 | hose                          | 99-01      | 1   | M 249                  |
| (3) | 996 106 741 07 | hose                          | 99-01      | 1   | M 339/249              |
| (3) | 996 106 888 03 | water hose                    | 02-        | 1   | M 339/249              |
| (3) | 996 106 841 05 | water hose                    | 02-        | 1   | M 338/249              |
| 4   | 996 106 610 56 | cooling water tube            |            | 1   |                        |
| 4 A | 996 106 710 03 | water tube                    |            | 1   | M 339                  |
| 4   | 996 106 710 04 | water tube                    |            | 1   |                        |
| -   | 996 106 505 00 | protection cap                |            | 1   |                        |
| 5   | 996 106 609 56 | cooling water tube            | -01        | 1   |                        |
| (5) | 996 106 809 01 | cooling water tube<br>return  | 02-        | 1   |                        |
| 6 A | 996 106 416 54 | support                       |            | 2   |                        |
| 6   | 996 106 416 55 | support                       |            | 2   |                        |
| 7   | 996 106 475 51 | support                       |            | 1   |                        |
| 8   | 900 378 158 09 | hexagon-head bolt<br>M 6 X 16 |            | 2   |                        |
| 9   | 996 106 417 51 | support                       |            | 1   |                        |
| 10  | 996 106 428 50 | support                       |            | 1   |                        |

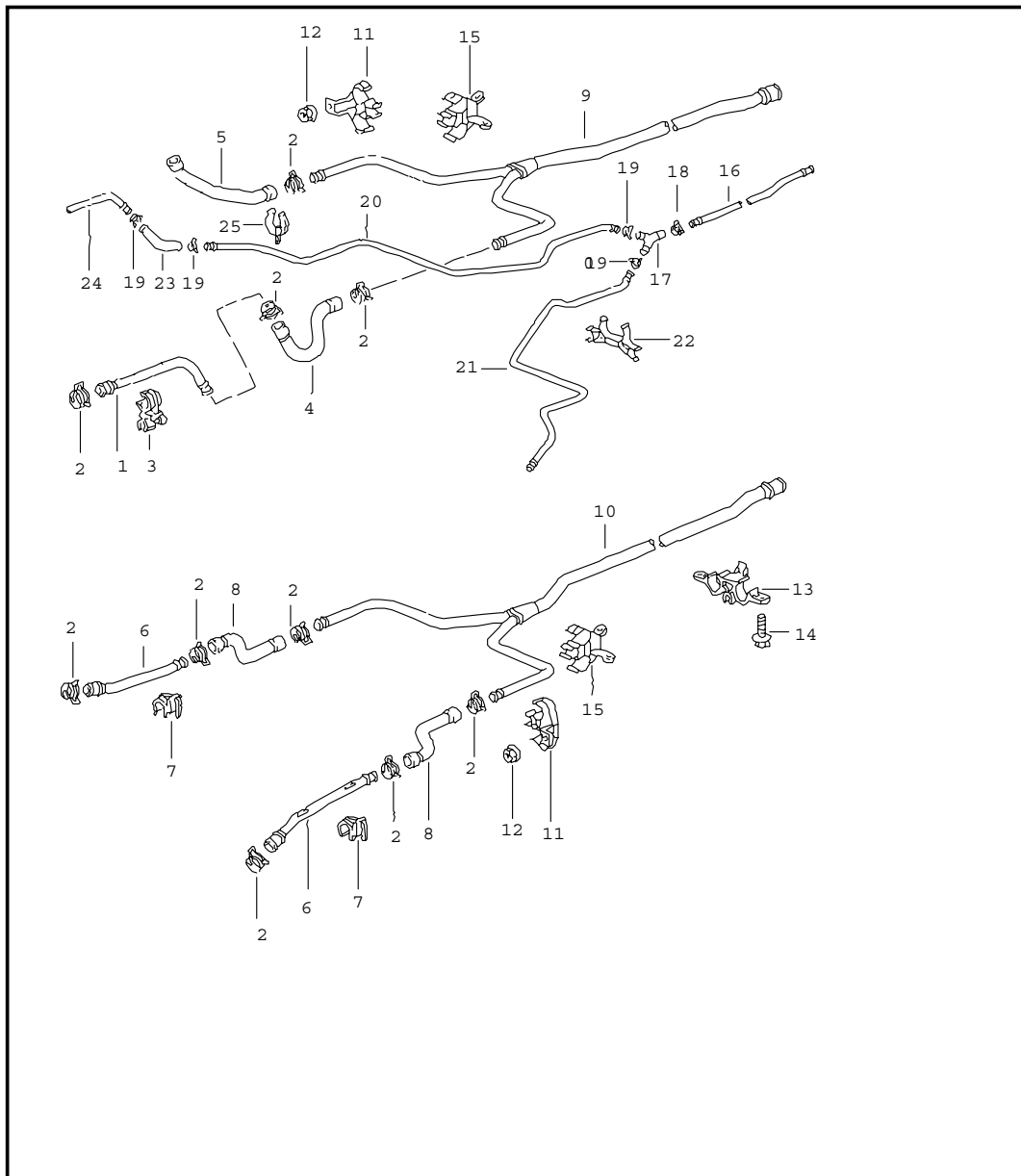
|       |      |    |    |              |              |        |       |            |         |     |         |
|-------|------|----|----|--------------|--------------|--------|-------|------------|---------|-----|---------|
| Model | Year | MG | SG | Illustration | Restrictions | Update | 11:15 | 25.11.2005 | PORSCHE | PET | PORSCHE |
| 996   | 05   | 1  | 05 | 105-05       |              | 194    |       |            |         |     |         |

| Pos  | Part Number    | Name                          | Remarks | Qty | Model | Pos  | Part Number    | Name                                | Remarks | Qty | Model |
|------|----------------|-------------------------------|---------|-----|-------|------|----------------|-------------------------------------|---------|-----|-------|
| 11   | 900 377 010 09 | hexagon nut<br>M 6            |         | 2   |       | 23   | 996 106 831 01 | water hose                          | 02-     | 1   |       |
| 12   | 996 106 136 51 | breather hose                 | -98     | 1   |       | 24   | 996 106 502 53 | water hose                          | -98     | 1   |       |
| 12   | 996 106 136 52 | breather hose                 | -01     | 1   | M 338 | 24   | 996 106 502 54 | water hose                          | 99-     | 1   |       |
| (12) | 996 106 826 00 | breather hose                 | 02-     | 1   | M 338 | (24) | 996 106 832 01 | water hose                          | 02-     | 1   |       |
| 12   | 996 106 336 01 | breather hose                 | -98     | 1   | M 339 | 25   | 999 512 669 09 | hose clamp<br>53 X 12               |         | 2   |       |
| 12   | 996 106 336 02 | breather hose                 | -01     | 1   | M 339 | 26   | 996 106 242 52 | water tube<br>M >> 66X 01814        | -01     | 1   |       |
| (12) | 996 106 836 00 | hose                          | 02-     | 1   | M 339 | 26   | 996 106 242 53 | water tube<br>M 66X 01815 >>        | -01     | 1   |       |
| 13   | 996 106 681 56 | vent line                     | -98     | 1   |       | (26) | 996 106 242 55 | water tube                          | 02-     | 1   | M 480 |
| 13   | 996 106 681 57 | vent line                     | 99-     | 1   |       | (26) | 996 106 842 02 | water tube                          | 02-     | 1   | M 249 |
| 13   | 996 106 681 59 | vent line                     | 03-     | 1   |       | 27   | 996 106 212 51 | water hose                          |         | 1   |       |
| 14   | 999 512 554 00 | hose clamp<br>20 X 12         |         | 3   |       | 27   | 996 106 212 52 | hose                                | -98     | 1   |       |
| 15   | 996 106 251 71 | breather hose                 |         | 1   |       | 27   | 996 106 212 53 | hose                                | 99-     | 1   |       |
| 16   | 999 512 552 00 | hose clamp<br>25 X 12         |         | 1   |       | 28   | 999 512 552 00 | hose clamp<br>27 X 12               |         | 2   |       |
| 17   | 996 106 418 53 | support<br>27,0/27,0          | -01     | 2   |       | 29   | 996 106 233 51 | water hose<br>M >> 66X 01814        |         | 1   |       |
| 18 A | 996 106 250 53 | hose                          | -98     | 1   |       | 29   | 996 106 233 52 | hose<br>M 66X 01815 >>              |         | 1   |       |
| 18   | 996 106 250 54 | hose<br>for<br>996 106 243 51 | -98     | 1   |       | 29   | 996 106 233 53 | hose                                |         | 1   |       |
| 18   | 996 106 250 55 | hose<br>for<br>996 106 243 52 | 99-     | 1   |       | 30   | 999 512 551 00 | hose clamp<br>25 - 40 MM            |         | 1   |       |
| 19   | 999 512 552 00 | hose clamp<br>28 X 12         |         | 1   |       | 31   | 900 378 036 09 | hexagon-head bolt<br>M 6 X 12       |         | 3   |       |
| 20   | 999 512 551 00 | hose clamp<br>36 X 12         |         | 1   |       | 32   | 996 106 243 51 | water tube<br>for<br>996 106 250 54 | -98     | 1   |       |
| 21   | 999 512 551 00 | hose clamp<br>29 X 12         |         | 2   |       | 32   | 996 106 243 52 | water tube<br>for<br>996 106 250 55 | 99-     | 1   |       |
| 22   | 999 512 554 00 | hose clamp<br>14 X 12         |         | 1   |       | (32) | 996 106 243 54 | water tube<br>return                | 02-     | 1   | M 480 |
| 23   | 996 106 501 53 | water hose                    | -00     | 1   |       | (32) | 996 106 843 01 | cooling water tube<br>return        | 02-     | 1   | M 249 |
| 23   | 996 106 501 54 | water hose                    | -01     | 1   |       |      |                |                                     |         |     |       |

|       |      |    |    |              |              |        |       |            |         |     |         |
|-------|------|----|----|--------------|--------------|--------|-------|------------|---------|-----|---------|
| Model | Year | MG | SG | Illustration | Restrictions | Update | 11:15 | 25.11.2005 | PORSCHE | PET | PORSCHE |
| 996   | 05   | 1  | 05 | 105-05       |              | 194    |       |            |         |     |         |

| Pos    | Part Number    | Name                     | Remarks | Qty | Model | Pos | Part Number | Name | Remarks | Qty | Model |
|--------|----------------|--------------------------|---------|-----|-------|-----|-------------|------|---------|-----|-------|
| (33) A | 996 106 222 52 | water hose               | -98     | 1   | M 480 |     |             |      |         |     |       |
| (33)   | 996 106 222 54 | hose                     | -98     | 1   | M 480 |     |             |      |         |     |       |
| (33)   | 996 106 222 56 | hose                     | 99-     | 1   | M 480 |     |             |      |         |     |       |
| 33     | 996 106 222 53 | water hose               | -98     | 1   | M 249 |     |             |      |         |     |       |
| 33     | 996 106 222 57 | water hose               | 99-     | 1   | M 249 |     |             |      |         |     |       |
| 34     | 996 106 421 51 | support                  |         | 2   |       |     |             |      |         |     |       |
| 35     | 999 511 237 40 | hose holder<br>10-52/-18 |         | 2   |       |     |             |      |         |     |       |
| 36     | 999 511 238 40 | hose holder<br>10-52/-13 |         | 1   |       |     |             |      |         |     |       |
| 37     | 999 512 657 09 | hose clamp<br>26 X 12    |         | 1   |       |     |             |      |         |     |       |
| 38     | 999 512 655 09 | hose clamp<br>22 X 12    |         | 1   |       |     |             |      |         |     |       |
|        |                | - - - E N D - - -        |         |     |       |     |             |      |         |     |       |

|       |      |    |    |              |              |        |       |            |         |     |         |
|-------|------|----|----|--------------|--------------|--------|-------|------------|---------|-----|---------|
| Model | Year | MG | SG | Illustration | Restrictions | Update | 11:15 | 25.11.2005 | PORSCHE | PET | PORSCHE |
| 996   | 05   | 1  | 05 | 105-10       |              | 194    |       |            |         |     |         |

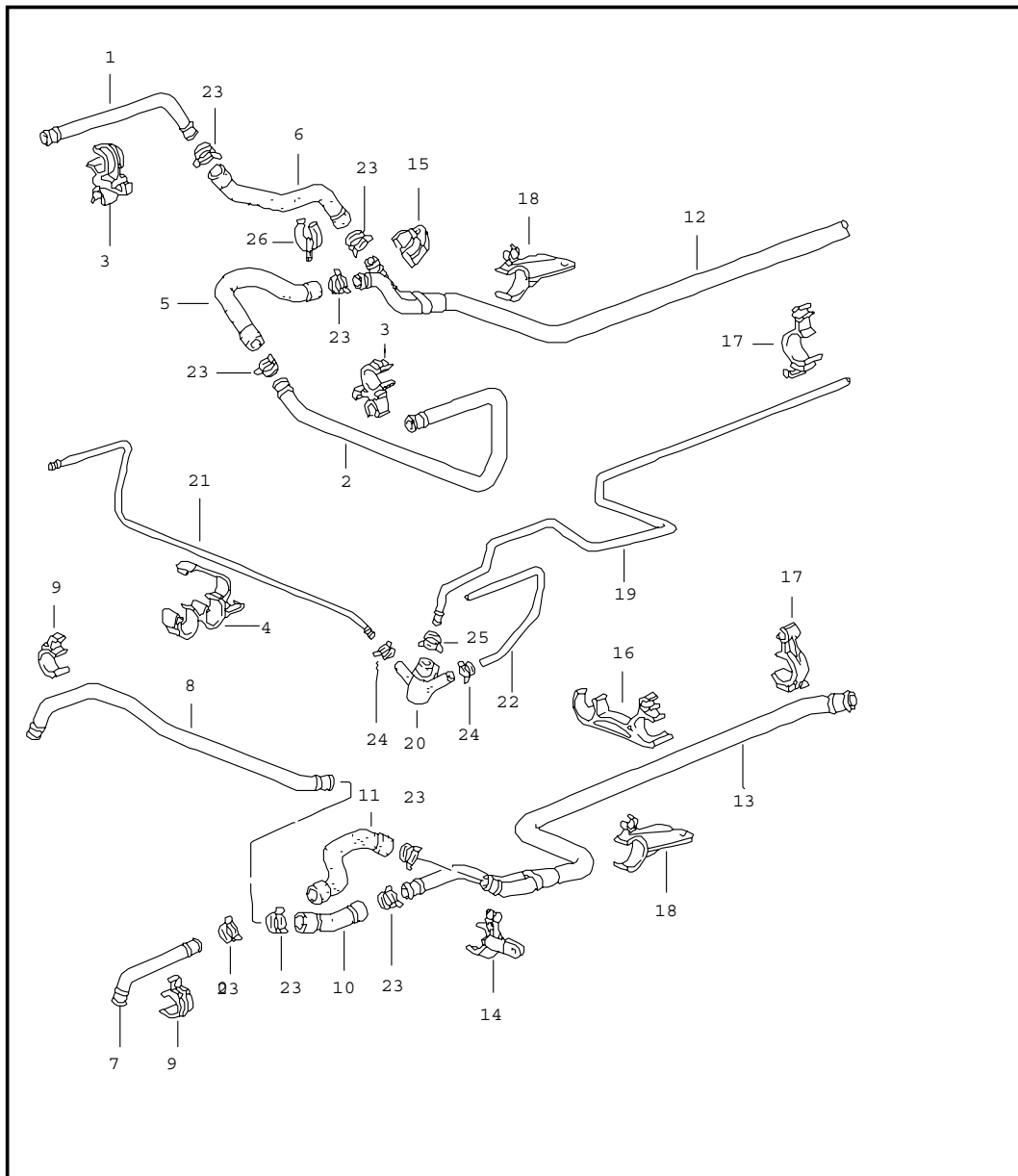


| Pos | Part Number      | Name                          | Remarks    | Qty | Model                  |
|-----|------------------|-------------------------------|------------|-----|------------------------|
|     |                  | water cooling 2               | -01<br>02- |     | M96.01/02/04<br>M96.03 |
| 1   | A 996 106 611 52 | water tube supply             | -00        | 2   |                        |
| 1   | 996 106 611 53   | water tube supply             | 01-        | 2   |                        |
| 2   | 999 512 499 00   | hose clamp<br>40 X 12         |            | 12  |                        |
| 3   | 996 106 414 55   | support                       |            | 4   |                        |
| 4   | 996 106 623 53   | water hose supply             | /L         | 1   |                        |
| 5   | 996 106 624 53   | water hose                    | /R         | 1   |                        |
| 6   | 996 106 615 54   | water tube return             |            | 2   |                        |
| 7   | 996 106 419 52   | support                       |            | 4   |                        |
| 8   | 996 106 627 52   | water hose                    |            | 2   |                        |
| 9   | 996 106 651 54   | distributing piece supply     |            | 1   |                        |
| 10  | 996 106 652 54   | distributing piece return     |            | 1   |                        |
| 11  | 996 106 413 52   | support                       |            | 2   |                        |
| 12  | 999 084 629 09   | hexagon nut<br>M 6            |            | 2   |                        |
| 13  | 996 106 415 52   | support                       |            | 2   |                        |
| 14  | 900 378 035 09   | hexagon-head bolt<br>M 6 X 16 |            | 6   |                        |
| 15  | 996 106 420 52   | support                       |            | 2   |                        |
| 16  | 996 106 127 53   | vent line                     |            | 1   |                        |
| 17  | 996 106 546 54   | y-piece                       |            | 1   |                        |
| 18  | 999 512 554 00   | hose clamp<br>25 - 40         |            | 1   |                        |
| 19  | 999 512 554 00   | hose clamp<br>25 - 40         |            | 4   |                        |
| 20  | 996 106 126 54   | vent line                     | /R         | 1   |                        |
| 21  | 996 106 225 54   | vent line                     | /L         | 1   |                        |

|       |      |    |    |              |              |        |       |            |         |     |         |
|-------|------|----|----|--------------|--------------|--------|-------|------------|---------|-----|---------|
| Model | Year | MG | SG | Illustration | Restrictions | Update | 11:15 | 25.11.2005 | PORSCHE | PET | PORSCHE |
| 996   | 05   | 1  | 05 | 105-10       |              | 194    |       |            |         |     |         |

| Pos | Part Number    | Name              | Remarks | Qty | Model | Pos | Part Number | Name | Remarks | Qty | Model |
|-----|----------------|-------------------|---------|-----|-------|-----|-------------|------|---------|-----|-------|
| 22  | 996 106 412 51 | support           |         | 1   |       |     |             |      |         |     |       |
| 23  | 996 106 135 52 | breather hose     | -98     | 2   |       |     |             |      |         |     |       |
| 23  | 996 106 135 52 | breather hose     | 99-     | 2   |       |     |             |      |         |     |       |
| 24  | 996 106 685 53 | vent line         |         | 2   |       |     |             |      |         |     |       |
| 25  | 999 507 378 40 | support           |         | 2   |       |     |             |      |         |     |       |
|     |                | - - - E N D - - - |         |     |       |     |             |      |         |     |       |

|       |      |    |    |              |              |        |       |            |         |     |         |
|-------|------|----|----|--------------|--------------|--------|-------|------------|---------|-----|---------|
| Model | Year | MG | SG | Illustration | Restrictions | Update | 11:16 | 25.11.2005 | PORSCHE | PET | PORSCHE |
| 996   | 05   | 1  | 05 | 105-12       |              | 194    |       |            |         |     |         |



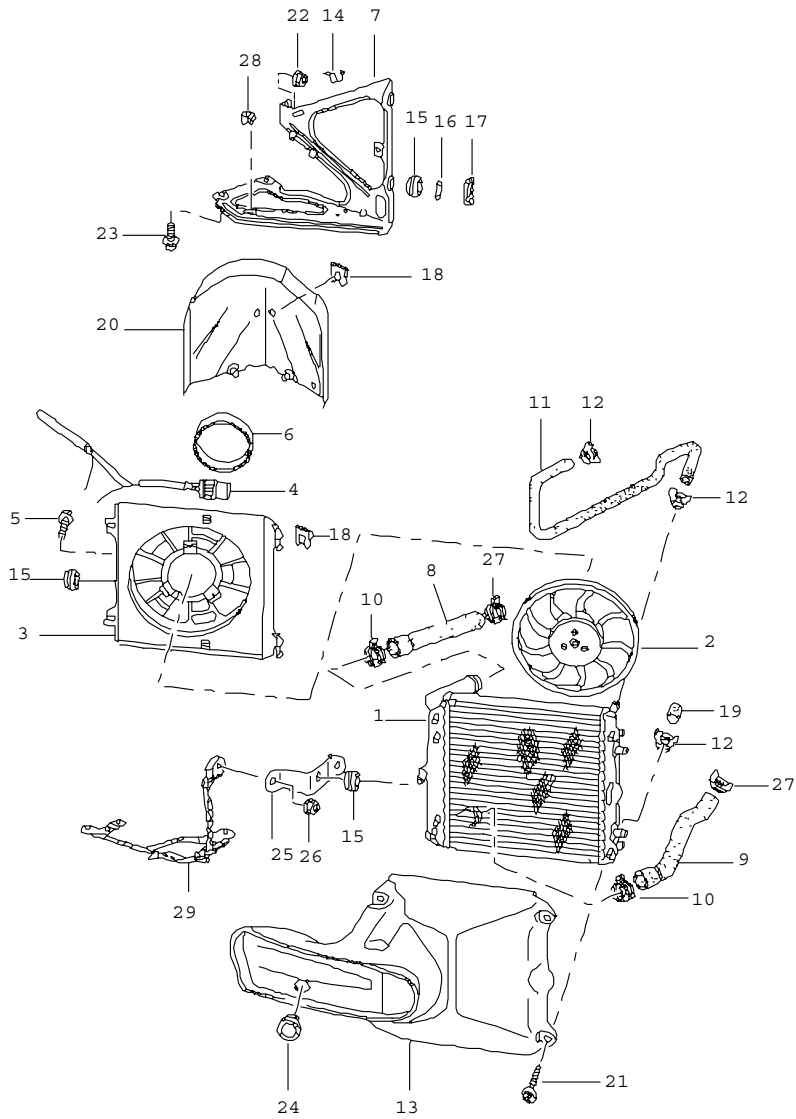
| Pos | Part Number      | Name                     | Remarks    | Qty | Model                           |
|-----|------------------|--------------------------|------------|-----|---------------------------------|
|     |                  | water cooling 2          | -01<br>02- |     | M96.01/02/04<br>M96.03<br>M 339 |
| 1   | A 996 106 611 52 | water tube supply        | /R -00     | 1   |                                 |
| 1   | 996 106 611 53   | water tube supply        | /R 01-     | 1   |                                 |
| 2   | 996 106 711 03   | water tube supply        | /L         | 1   |                                 |
| 3   | 996 106 414 55   | support                  |            | 4   |                                 |
| 4   | 996 106 525 04   | support                  |            | 2   |                                 |
| 5   | 996 106 723 02   | hose supply supply       | /R         | 1   |                                 |
| 6   | 996 106 724 03   | hose supply              | /R         | 1   |                                 |
| 7   | 996 106 715 01   | water tube return        | /L         | 1   |                                 |
| 8   | 996 106 720 02   | water tube return        | /R         | 1   |                                 |
| 9   | 996 106 419 52   | support                  |            | 3   |                                 |
| 10  | 996 106 727 03   | hose return              | /L         | 1   |                                 |
| 11  | 996 106 728 03   | hose return supply       | /L         | 1   |                                 |
| 12  | 996 106 752 03   | water tube supply return |            | 1   |                                 |
| 13  | 996 106 751 04   | water tube return        |            | 1   |                                 |
| 14  | 996 106 513 01   | support                  | /L         | 1   |                                 |
| 15  | 996 106 514 00   | support                  | /R         | 1   |                                 |
| 16  | 996 106 540 00   | support                  |            | 1   |                                 |
| 17  | 996 106 515 01   | support                  |            | 2   |                                 |
| 18  | 996 106 520 01   | support                  |            | 2   |                                 |
| 19  | 996 106 227 72   | vent line                |            | 1   |                                 |

|       |      |    |    |              |              |        |       |            |         |     |         |
|-------|------|----|----|--------------|--------------|--------|-------|------------|---------|-----|---------|
| Model | Year | MG | SG | Illustration | Restrictions | Update | 11:16 | 25.11.2005 | PORSCHE | PET | PORSCHE |
| 996   | 05   | 1  | 05 | 105-12       |              | 194    |       |            |         |     |         |

| Pos | Part Number    | Name                  | Remarks | Qty | Model | Pos | Part Number | Name | Remarks | Qty | Model |
|-----|----------------|-----------------------|---------|-----|-------|-----|-------------|------|---------|-----|-------|
| 20  | 996 106 647 04 | y-piece               |         | 1   |       |     |             |      |         |     |       |
| 21  | 996 106 766 71 | vent line             | /R      | 1   |       |     |             |      |         |     |       |
| 22  | 996 106 765 71 | vent line<br>40 X 12  | /L      | 1   |       |     |             |      |         |     |       |
| 23  | 999 512 499 00 | hose clamp<br>40 X 12 |         | 8   |       |     |             |      |         |     |       |
| 24  | 999 512 554 00 | hose clamp<br>12 - 22 |         | 2   |       |     |             |      |         |     |       |
| 25  | 999 512 554 00 | hose clamp<br>12 - 22 |         | 1   |       |     |             |      |         |     |       |
| 26  | 999 507 378 40 | support               |         | 2   |       |     |             |      |         |     |       |
|     |                | - - - E N D - - -     |         |     |       |     |             |      |         |     |       |



|       |      |    |    |              |              |        |       |            |         |     |         |
|-------|------|----|----|--------------|--------------|--------|-------|------------|---------|-----|---------|
| Model | Year | MG | SG | Illustration | Restrictions | Update | 11:16 | 25.11.2005 | PORSCHE | PET | PORSCHE |
| 996   | 05   | 1  | 05 | 105-15       |              | 194    |       |            |         |     |         |

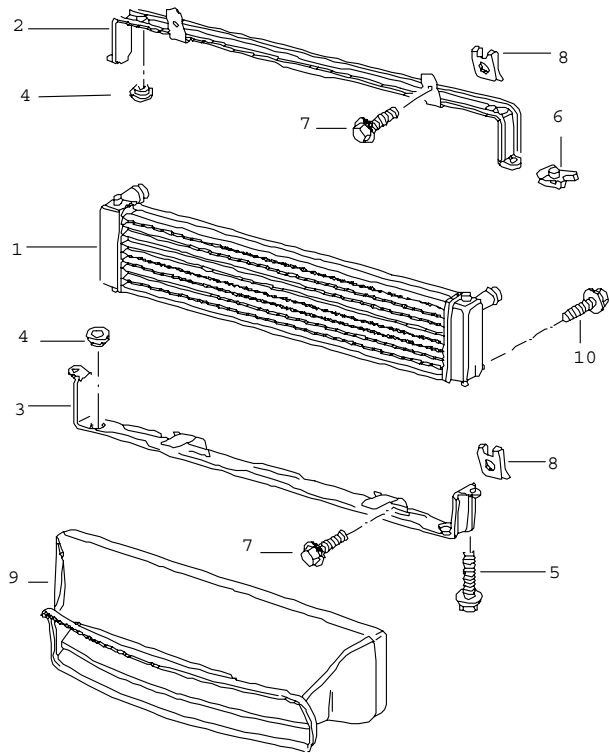


| Pos | Part Number      | Name  | Remarks       | Qty | Model                  |
|-----|------------------|---|---------------|-----|------------------------|
|     |                  | water cooling 3   | -01<br>02-    |     | M96.01/02/04<br>M96.03 |
| 1   | A 996 106 131 50 | radiator  |               | 2   |                        |
| 1   | 996 106 131 51   | radiator  | /L            | 1   |                        |
| (1) | 996 106 131 72   | radiator  | /L            | 1   | C 4 S                  |
| (1) | 996 106 132 51   | radiator  | /R            | 1   |                        |
| (1) | 996 106 132 70   | radiator  | /R            | 1   | C 4 S                  |
| 2   | 996 624 135 00   | fan   |               | 2   |                        |
| 3   | 996 624 131 00   | air box   |               | 2   |                        |
| 4   | 996 616 101 00   | series resistor   |               | 2   |                        |
| 5   | 900 146 116 09   | screw<br>M 5 X 16   |               | 6   |                        |
| 6   | 996 624 136 00   | protection cap  |               | 2   |                        |
| 7   | 996 504 175 09   | bracket   | /L            | 1   |                        |
| (7) | 996 504 155 00   | bracket   | /L 02-<br>04- | 1   | C 4 S<br>M 095         |
| (7) | 996 504 156 00   | bracket   | /R 02-<br>04  | 1   | C 4 S<br>M 095         |
| (7) | 996 504 176 09   | bracket   | /R            | 1   |                        |
| 8   | 996 106 621 55   | hose<br>supply  | /L            | 1   | M 480                  |
| (8) | 996 106 665 55   | hose<br>supply<br>with one conectio<br>radiator<br>centre | /L            | 1   | M 249                  |
| (8) | 996 106 622 52   | supply<br>supply<br>return                                | /R            | 1   |                        |
| 9   | 996 106 625 54   | hose<br>return<br>return                                  | /L            | 1   |                        |
| (9) | 996 106 626 51   | hose<br>return  | /R            | 1   | M 480                  |

|       |      |    |    |              |              |        |       |            |         |     |         |
|-------|------|----|----|--------------|--------------|--------|-------|------------|---------|-----|---------|
| Model | Year | MG | SG | Illustration | Restrictions | Update | 11:16 | 25.11.2005 | PORSCHE | PET | PORSCHE |
| 996   | 05   | 1  | 05 | 105-15       |              | 194    |       |            |         |     |         |

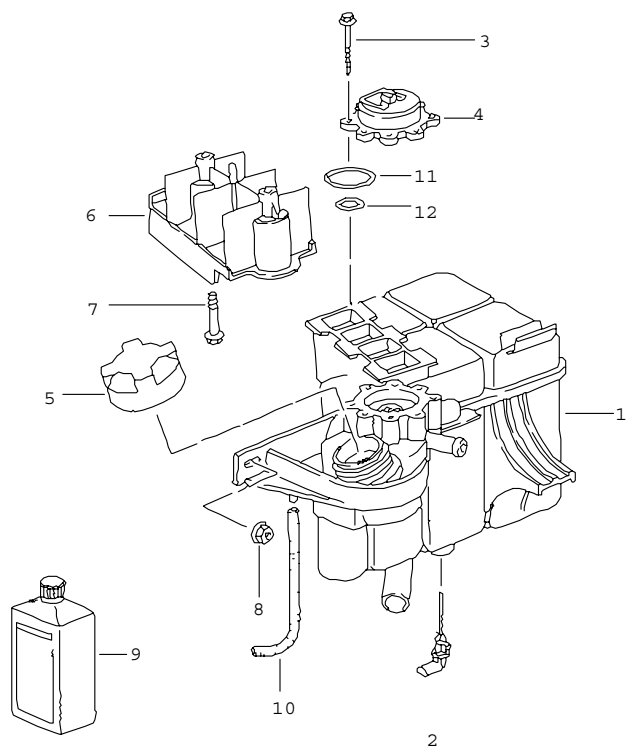
| Pos  | Part Number      | Name  | Remarks | Qty | Model | Pos  | Part Number    | Name                          | Remarks | Qty | Model |
|------|------------------|---|---------|-----|-------|------|----------------|-------------------------------|---------|-----|-------|
| (9)  | 996 106 666 52   | hose<br>return<br>with one conectio<br>radiator<br>centre | /R      | 1   | M 249 | 23   | 900 378 074 09 | hexagon-head bolt<br>M 8 X 16 |         | 4   |       |
| 10   | 999 512 499 00   | hose clamp<br>42 X 12                                     |         | 4   |       | 24   | 999 702 214 40 | grommet<br>14 X 20,5 X 7,5    |         | 2   |       |
| 11   | 996 106 137 53   | breather hose   | /L      | 1   |       | 24   | 803 803 583    | rubber sleeve<br>30,0 X 40,0  | /R      | 1   |       |
| (11) | 996 106 138 53   | breather hose   | /R      | 1   |       | 25   | 996 504 721 00 | support                       |         | 1   |       |
| 12   | 999 512 585 09   | hose clamp<br>15 X 12                                     |         | 6   |       |      | GRV            | prime coated                  |         |     |       |
| 13   | 996 575 321 00   | air duct  | /L -01  | 1   |       | 26   | 900 377 003 02 | hexagon nut<br>M 8            |         | 4   |       |
| 13   | 996 575 321 03   | air duct  | /L 02-  | 1   |       | 27   | 999 512 552 00 | hose clamp<br>28 X 12         |         | 2   |       |
| (13) | 996 575 321 02   | air duct  | /L 02-  | 1   | C 4 S | 28   | 999 507 590 02 | captive nut                   |         | 1   |       |
| (13) | 996 575 322 00   | air duct  | /R -01  | 1   |       | 29   | 996 504 523 01 | support                       | /L      | 1   | C 4 S |
| (13) | 996 575 322 03   | air duct  | /R 02-  | 1   |       | (29) | 996 504 524 01 | support                       | /R      | 1   | C 4 S |
| (13) | 996 575 322 02   | air duct  | /R 02-  | 1   | C 4 S | --   | 996 504 775 00 | support                       |         | 2   |       |
| 14   | 999 651 305 02   | cable holder  |         | 2   |       |      |                | - - - E N D - - -             |         |     |       |
| 15   | 999 702 214 40   | grommet<br>14 X 20,5 X 7,5                                |         | 6   |       |      |                |                               |         |     |       |
| 16   | 999 025 255 02   | washer  |         | 4   |       |      |                |                               |         |     |       |
| 17   | 999 166 083 09   | tab washer<br>B 25  |         | 4   |       |      |                |                               |         |     |       |
| 18   | 999 166 077 02   | safety clip<br>B 22                                       |         | 6   |       |      |                |                               |         |     |       |
| 19   | U 999 703 418 40 | cap   |         | 2   |       |      |                |                               |         |     |       |
| (19) | 996 106 334 00   | rubber cap  |         | 2   |       |      |                |                               |         |     |       |
| 20   | 996 575 341 03   | air duct  | -98     | 2   |       |      |                |                               |         |     |       |
| 20   | 996 575 341 04   | air duct  | /L 99-  | 1   |       |      |                |                               |         |     |       |
| (20) | 996 575 342 00   | air duct  | /R 99-  | 1   |       |      |                |                               |         |     |       |
| 21   | 999 919 134 09   | oval-head screw<br>6,0 X 16                               |         | 14  |       |      |                |                               |         |     |       |
| 22   | 999 084 630 09   | hexagon nut<br>M 8  |         | 2   |       |      |                |                               |         |     |       |

|       |      |    |    |              |              |        |       |            |         |     |         |
|-------|------|----|----|--------------|--------------|--------|-------|------------|---------|-----|---------|
| Model | Year | MG | SG | Illustration | Restrictions | Update | 11:16 | 25.11.2005 | PORSCHE | PET | PORSCHE |
| 996   | 05   | 1  | 05 | 105-17       |              | 194    |       |            |         |     |         |



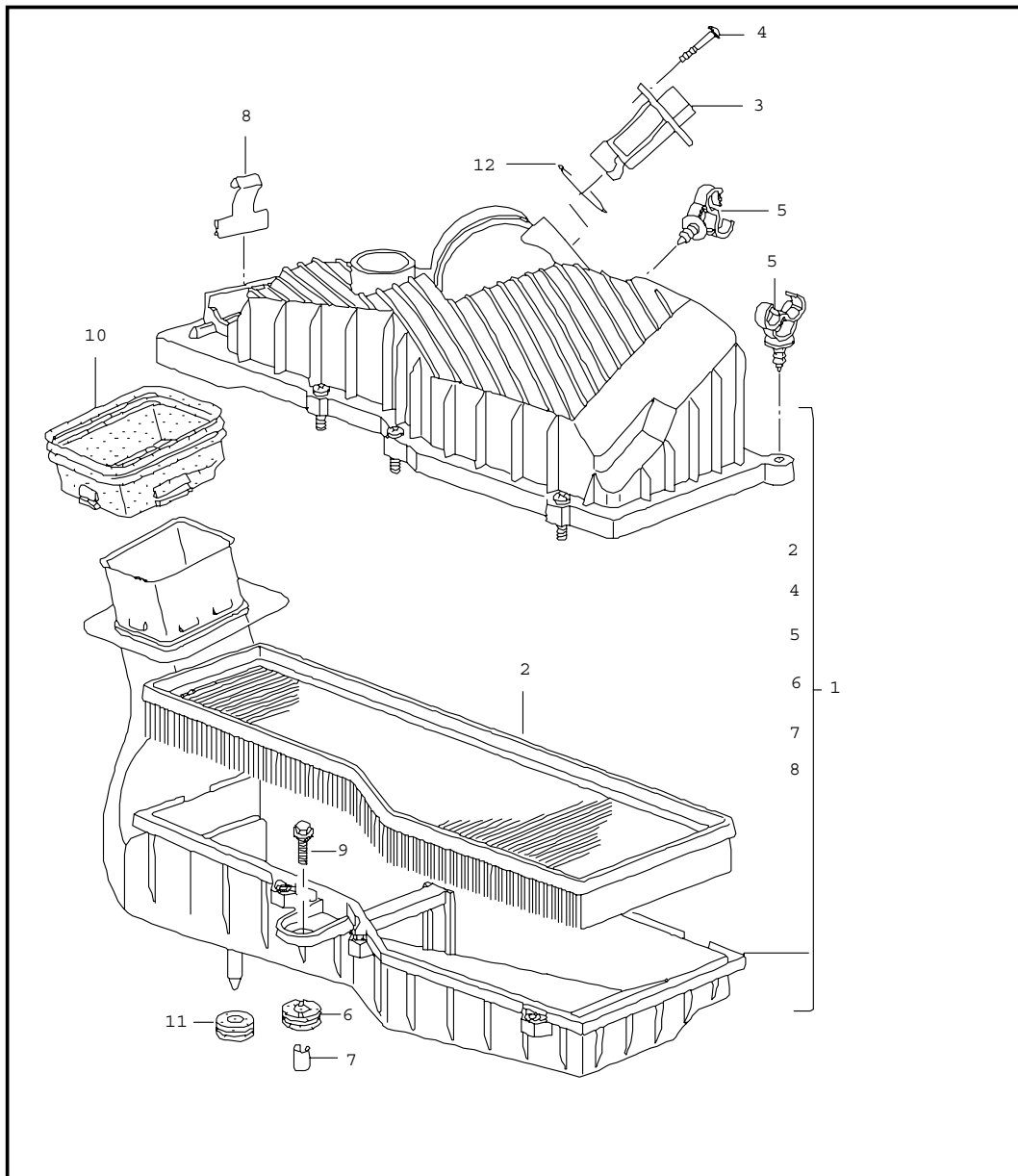
| Pos               | Part Number    | Name                           | Remarks    | Qty | Model  |
|-------------------|----------------|--------------------------------|------------|-----|--|
|                   |                | radiator centre                | -01<br>02- |     | M96.01/02/04<br>M96.03<br>M 249<br>M96.03<br>X51/M 480 |
| 1                 | 996 106 037 51 | radiator                       |            | 1   |  |
| 2                 | 996 504 487 02 | retaining frame                |            | 1   |  |
| 3                 | 996 504 485 02 | retaining frame                |            | 1   |  |
| 4                 | 930 113 430 00 | rubber mounting                |            | 4   |  |
| 5                 | 900 378 036 09 | hexagon-head bolt<br>M 6 X 12  |            | 2   |  |
| 6                 | 999 507 550 02 | speed nut<br>M 6               |            | 2   |  |
| 7                 | 900 378 074 09 | hexagon-head bolt<br>M 8 X 16  |            | 4   |  |
| 8                 | 999 591 869 02 | speed nut<br>M 8               |            | 4   |  |
| 9                 | 996 575 141 01 | air duct<br>radiator<br>centre | -98        | 1   |  |
| 9                 | 996 575 141 02 | air duct<br>radiator<br>centre | 99-01      | 1   |  |
| 9                 | 996 575 141 04 | air duct<br>radiator<br>centre | 02-        | 1   |  |
| 10                | 996 106 901 00 | screw plug                     |            | 1   |  |
| - - - E N D - - - |                |                                |            |     |  |

|       |      |    |    |              |              |        |       |            |         |     |         |
|-------|------|----|----|--------------|--------------|--------|-------|------------|---------|-----|---------|
| Model | Year | MG | SG | Illustration | Restrictions | Update | 11:16 | 25.11.2005 | PORSCHE | PET | PORSCHE |
| 996   | 05   | 1  | 05 | 105-20       |              | 194    |       |            |         |     |         |



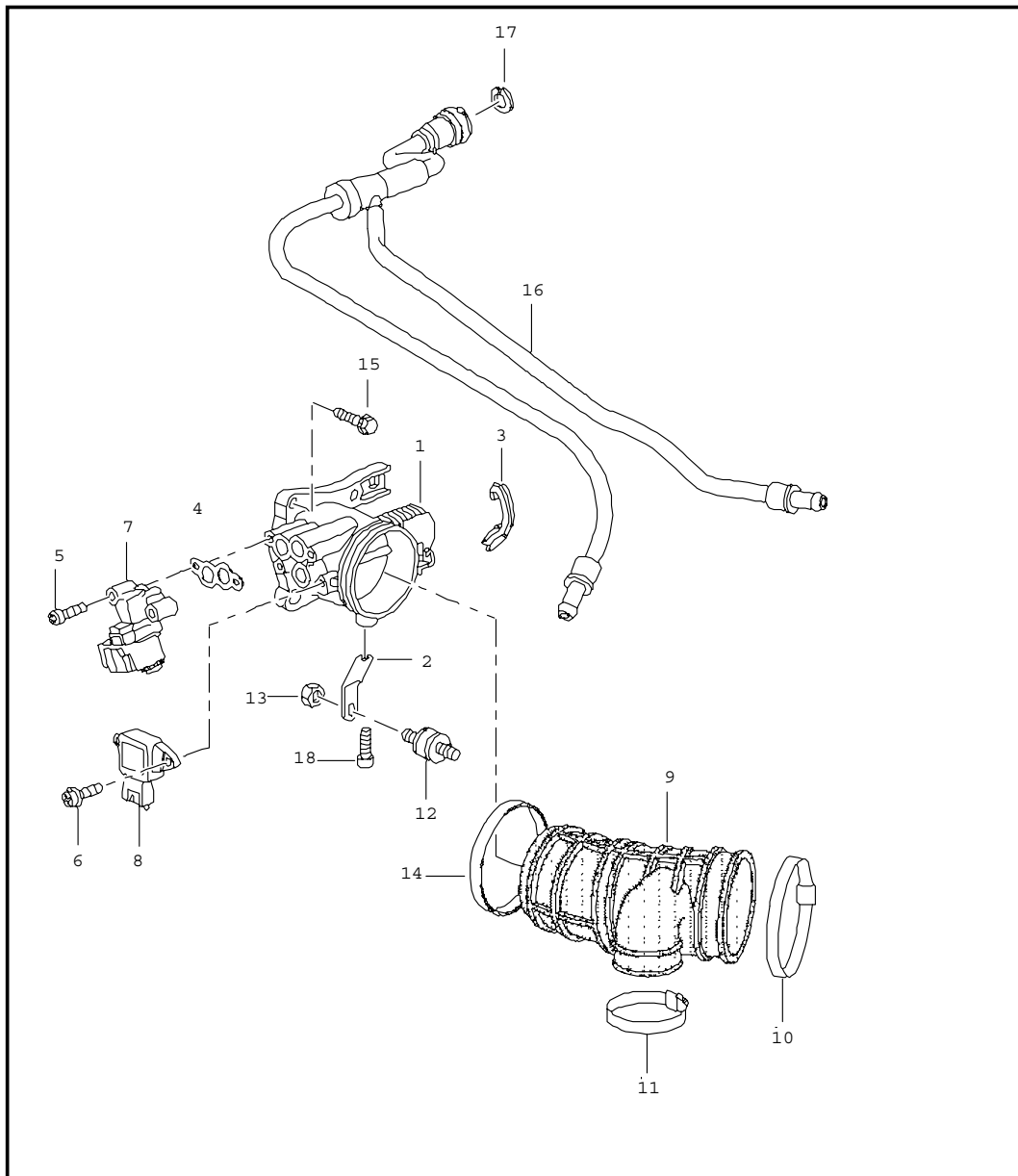
| Pos               | Part Number      | Name  | Remarks    | Qty | Model                  |
|-------------------|------------------|---|------------|-----|------------------------|
|                   |                  | water cooling 4                               | -01<br>02- |     | M96.01/02/04<br>M96.03 |
| 1                 | A 996 106 147 54 | water reservoir                               | -98        | 1   |                        |
| 1                 | 996 106 147 55   | water reservoir                               | -00        | 1   |                        |
| 1                 | 996 106 147 56   | water reservoir                               | -00        | 1   |                        |
| (1)               | A 996 106 157 01 | water reservoir                               | 01-        | 1   |                        |
| (1)               | 996 106 157 02   | water reservoir                               | 01-        | 1   |                        |
| (1)               | 996 106 157 03   | water reservoir                               | 03-        | 1   |                        |
| 2                 | 996 641 503 00   | switch  |            | 1   |                        |
| 3                 | 999 919 058 02   | hexagon-head bolt<br>5,0 X 40                 |            | 8   |                        |
| 4                 | 996 106 347 01   | bleeder valve                                 |            | 1   |                        |
| 5                 | 996 106 447 01   | cover   |            | 1   |                        |
| 6                 | 996 106 405 51   | support                                       | -01        | 1   |                        |
| (6)               | 996 106 405 52   | support                                       | 02-        | 1   |                        |
| (6)               | 996 106 405 71   | support                                       |            | 1   | C4S                    |
| 7                 | 900 378 033 09   | hexagon-head bolt<br>M 8 X 30                 |            | 2   |                        |
| 8                 | 999 076 071 02   | hexagon nut<br>M 6                            |            | 1   |                        |
| 9                 | 000 043 203 78   | antifreeze protection<br>1 LTR.<br>container  |            | X   |                        |
| (9)               | A 000 043 203 79 | antifreeze protection<br>25 LTR.<br>container |            | X   |                        |
| (9)               | 000 043 300 31   | antifreeze protection<br>20 LTR.<br>container |            | X   |                        |
| 10                | 996 106 297 00   | overflow hose                                 |            | 1   |                        |
| 11                | 999 707 370 40   | O-ring<br>47 X 4                              |            | 1   |                        |
| 12                | 999 707 371 40   | O-ring<br>17 X 4                              |            | 1   |                        |
| - - - E N D - - - |                  |   |            |     |                        |

|       |      |    |    |              |              |        |       |            |         |     |         |
|-------|------|----|----|--------------|--------------|--------|-------|------------|---------|-----|---------|
| Model | Year | MG | SG | Illustration | Restrictions | Update | 11:16 | 25.11.2005 | PORSCHE | PET | PORSCHE |
| 996   | 05   | 1  | 06 | 106-00       |              | 194    |       |            |         |     |         |



| Pos               | Part Number    | Name                           | Remarks | Qty | Model        |
|-------------------|----------------|--------------------------------|---------|-----|--------------|
|                   |                | air cleaner                    | -01     |     | M96.01/02/04 |
|                   |                |                                | 02-     |     | M96.03       |
| 1                 | 996 110 021 56 | air cleaner                    |         | 1   |              |
| 1                 | 996 110 021 58 | air cleaner                    |         | 1   | M 339        |
| (1)               | 996 110 921 50 | air cleaner                    | 02-     | 1   | M 96.03      |
| 2                 | 996 110 131 52 | air cleaner cartridge          |         | 1   |              |
| 3                 | 996 606 123 00 | mass air flow                  |         | 1   |              |
| 3                 | 996 606 124 00 | mass air flow                  | -01     | 1   | M 339/620    |
| 3                 | 986 606 125 01 | mass air flow                  | 02-     | 1   | M 96.03      |
| 4                 | 999 919 160 07 | oval-head screw<br>5,0 X 20    |         | 2   |              |
| 5                 | 999 507 544 40 | cable holder<br>4,0 - 12,0     |         | 2   |              |
| 6                 | 999 702 221 40 | grommet<br>11,8 X 18,0 X 18    |         | 3   |              |
| 7                 | 900 095 099 02 | roll pin<br>12,0 X 14          |         | 1   |              |
| 8                 | 996 110 224 50 | spring clamp                   |         | 1   |              |
| 9                 | 999 075 063 02 | hexagon-head bolt<br>M 6 X 34  |         | 1   |              |
| 10                | 996 110 250 52 | joint flange                   |         | 1   |              |
| 11                | 999 702 246 40 | grommet<br>12,0 X 17,0 X 3     |         | 2   |              |
| 12                | 986 606 925 00 | o-ring<br>for<br>mass air flow |         | 1   |              |
| - - - E N D - - - |                |                                |         |     |              |

|       |      |    |    |              |              |        |       |            |         |     |         |
|-------|------|----|----|--------------|--------------|--------|-------|------------|---------|-----|---------|
| Model | Year | MG | SG | Illustration | Restrictions | Update | 11:17 | 25.11.2005 | PORSCHE | PET | PORSCHE |
| 996   | 05   | 1  | 07 | 107-00       |              | 194    |       |            |         |     |         |

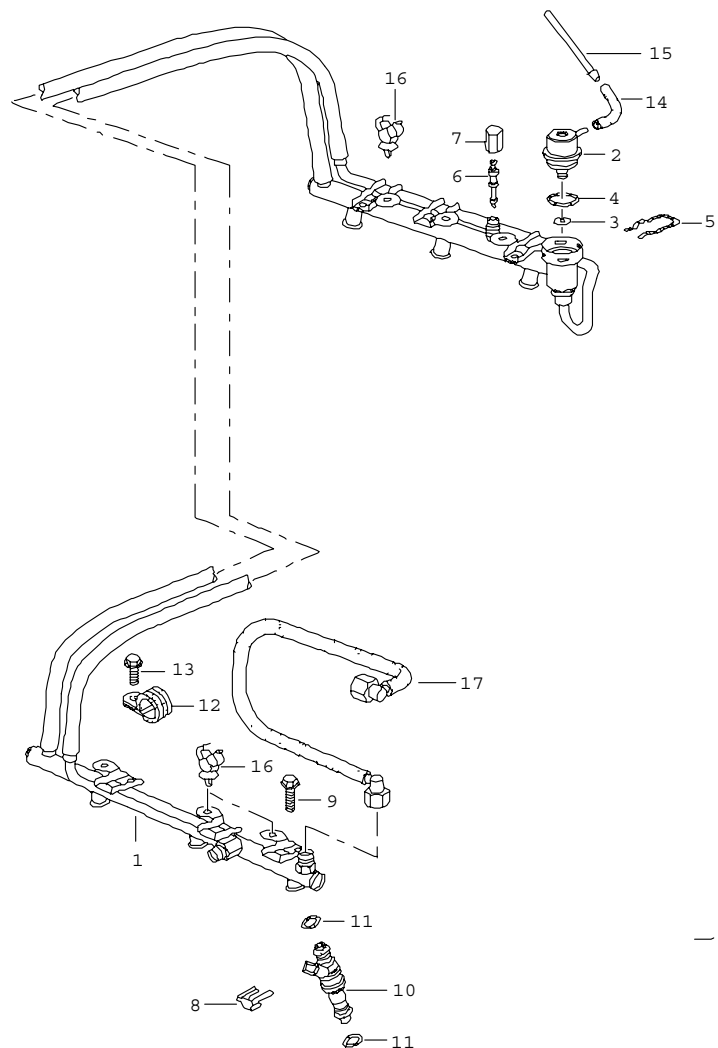


| Pos  | Part Number      | Name                          | Remarks    | Qty | Model                  |
|------|------------------|-------------------------------|------------|-----|------------------------|
|      |                  | throttle body                 | -01<br>02- |     | M96.01/02/04<br>M96.03 |
| 1    | A 996 110 065 52 | throttle body                 |            | 1   |                        |
| 1    | 996 110 065 53   | throttle body                 |            | 1   |                        |
| (1)  | 996 605 115 01   | throttle body                 |            | 1   | M 620                  |
| 2    | 996 110 223 52   | bracket                       |            | 1   |                        |
| (2)  | 996 110 223 31   | bracket                       |            | 1   | M 339                  |
| 3    | 996 110 265 50   | securing clip                 |            | 1   |                        |
| 4    | 996 110 310 50   | gasket                        |            | 1   |                        |
| 5    | 900 067 013 02   | pan-head screw<br>6 X 35      |            | 2   |                        |
| 6    | 900 146 150 02   | round head screw<br>M 4 X 16  |            | 2   |                        |
| 7    | 996 606 160 01   | idle-speed adjuster           | -01        | 1   |                        |
| 8    | 996 606 116 00   | throttle-valve switch         |            | 1   |                        |
| 9    | 996 110 221 57   | air box                       | -00        | 1   |                        |
| 9    | 996 110 221 57   | air box                       | 01-        | 1   | M 480                  |
| (9)  | 996 110 221 58   | air box                       | 01-        | 1   | M 249                  |
| 10   | 999 512 629 00   | hose clamp<br>90 - 100/9      |            | 1   |                        |
| 11   | 999 512 636 00   | hose clamp<br>40 - 60/9       |            | 1   |                        |
| 12   | 930 110 579 01   | bonded rubber buffer          |            | 1   |                        |
| 13   | 900 377 010 09   | hexagon nut<br>M 6            |            | 1   |                        |
| 14   | 999 512 542 00   | hose clamp<br>80 - 100/9      |            | 1   |                        |
| 15   | 900 378 013 09   | hexagon-head bolt<br>M 6 X 25 |            | 4   |                        |
| (15) | 900 378 029 09   | hexagon-head bolt<br>M 6 X 40 |            | 4   | M 620                  |
| 16   | 996 110 170 50   | venturi tube                  | 01         | 1   | M96.04 M249            |
| 16   | 996 110 170 51   | venturi tube                  | 02-        | 1   | M96.03 M249            |
| 17   | 999 230 535 40   | lock                          |            | 3   | M 249                  |

|       |      |    |    |              |              |        |       |            |         |     |         |
|-------|------|----|----|--------------|--------------|--------|-------|------------|---------|-----|---------|
| Model | Year | MG | SG | Illustration | Restrictions | Update |       |            |         |     |         |
| 996   | 05   | 1  | 07 | 107-00       |              | 194    | 11:17 | 25.11.2005 | PORSCHE | PET | PORSCHE |

| Pos | Part Number | Name              | Remarks | Qty | Model | Pos | Part Number | Name | Remarks | Qty | Model |
|-----|-------------|-------------------|---------|-----|-------|-----|-------------|------|---------|-----|-------|
|     |             | - - - E N D - - - |         |     |       |     |             |      |         |     |       |

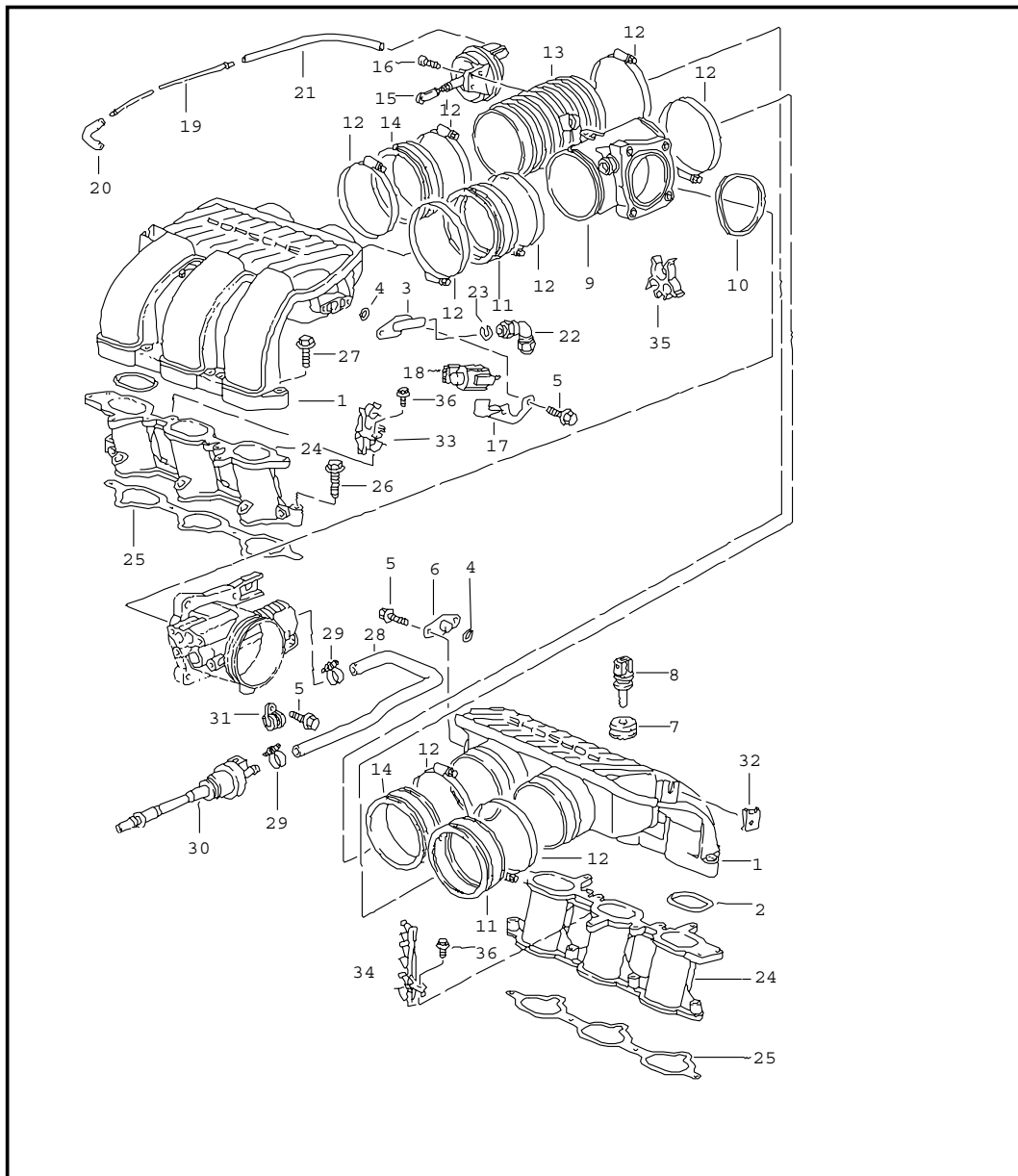
|       |      |    |    |              |              |        |       |            |         |     |         |
|-------|------|----|----|--------------|--------------|--------|-------|------------|---------|-----|---------|
| Model | Year | MG | SG | Illustration | Restrictions | Update | 11:17 | 25.11.2005 | PORSCHE | PET | PORSCHE |
| 996   | 05   | 1  | 07 | 107-05       |              | 194    |       |            |         |     |         |



| Pos               | Part Number    | Name  | Remarks    | Qty | Model                  |
|-------------------|----------------|---|------------|-----|------------------------|
|                   |                | fuel collection pipe                                    | -01<br>02- |     | M96.01/02/04<br>M96.03 |
| 1                 | 996 110 031 56 | fuel collection pipe                                    | -00        | 1   |                        |
| (1)               | 996 110 031 57 | fuel collection pipe                                    | 01         | 1   |                        |
| (1)               | 996 110 036 52 | fuel collection pipe                                    | 02-        | 1   | M96.03                 |
| 2                 | 993 110 199 01 | pressure regulator                                      | -01        | 1   |                        |
| 3                 | 999 707 276 40 | o-ring<br>5 X 2,5                                       |            | 1   |                        |
| 4                 | 999 707 277 40 | o-ring<br>20 X 2,5                                      |            | 1   |                        |
| 5                 | 993 110 196 00 | retaining clip  |            | 1   |                        |
| 6                 | 993 110 217 00 | valve   |            | 1   |                        |
| 7                 | 993 110 218 01 | cap   |            | 1   |                        |
| 8                 | 996 110 113 52 | retaining clip  |            | 6   |                        |
| 9                 | 900 378 036 09 | hexagon-head bolt<br>M 6 X 12                           |            | 4   |                        |
| (10)              | 996 606 120 01 | injector valve  |            | 6   |                        |
| (10)              | 996 606 122 00 | injector valve  | 01-        | 6   |                        |
| 11                | 944 110 901 01 | o-ring<br>7,5 X 3,5<br>part number<br>in<br>preparation |            | 12  |                        |
| 12                | 999 511 194 02 | clamp<br>35 X 15  |            | 1   |                        |
| 13                | 900 378 035 09 | hexagon-head bolt<br>M 6 X 16                           |            | 1   |                        |
| 14                | 928 574 717 03 | hose  |            | 1   |                        |
| --                | 000 043 205 01 | pipe<br>4 X 1   |            | *   |                        |
| 15                | ---            | 420 MM  |            | 1   |                        |
| 16                | 999 511 239 40 | cable holder<br>6,0 X 12                                |            | 3   |                        |
| 17                | 996 110 315 55 | fuel line   |            | 1   | M 339                  |
| - - - E N D - - - |                |   |            |     |                        |



|       |      |    |    |              |              |        |       |            |         |     |         |
|-------|------|----|----|--------------|--------------|--------|-------|------------|---------|-----|---------|
| Model | Year | MG | SG | Illustration | Restrictions | Update | 11:17 | 25.11.2005 | PORSCHE | PET | PORSCHE |
| 996   | 05   | 1  | 07 | 107-10       |              | 194    |       |            |         |     |         |

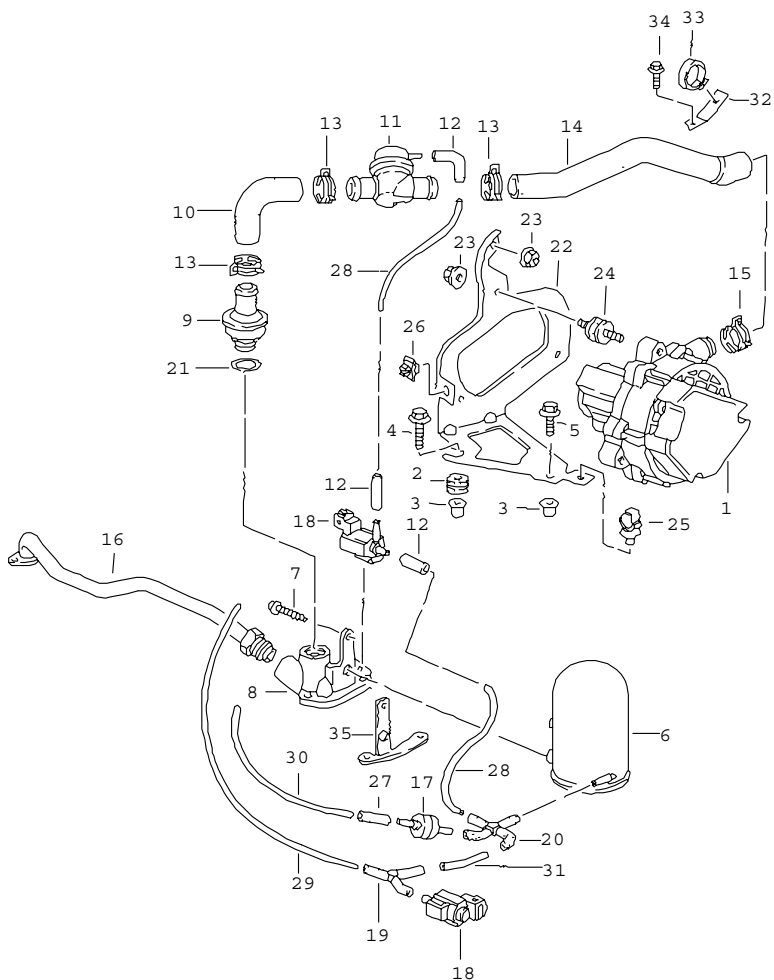


| Pos  | Part Number    | Name                              | Remarks | Qty | Model        |
|------|----------------|-----------------------------------|---------|-----|--------------|
|      |                | intake distributor                | -01     |     | M96.01/02/04 |
|      |                |                                   | 02-     |     | M96.03       |
| 1    | 996 110 015 55 | intake distributor                |         | 2   |              |
| 2    | 996 110 247 50 | gasket                            |         | 6   |              |
| 3    | 996 110 151 51 | adapter                           | -98     | 1   |              |
| 3    | 996 110 151 52 | adapter                           | -00     | 1   |              |
| (3)  | 996 110 151 52 | adapter                           | 01-     | 1   | M 480        |
| (3)  | 996 110 151 01 | adapter                           | 01-     | 1   | M 249        |
| 4    | 999 701 163 40 | o-ring<br>11 X 2,5                |         | 2   |              |
| 5    | 999 919 125 09 | hexagon-head bolt<br>6,0 X 16     |         | 5   |              |
| 6    | 996 110 251 51 | cover                             |         | 1   |              |
| 7    | 993 110 530 00 | grommet                           |         | 1   |              |
| 8    | 996 606 113 00 | temperature sensor                |         | 1   |              |
| 9    | 996 110 215 53 | intermediate piece                |         | 1   |              |
| 9    | 996 110 116 00 | intermediate piece                |         | 1   | M 339        |
| 10   | 996 110 317 50 | sealing ring                      |         | 1   |              |
| 10   | 996 110 319 00 | sealing ring                      |         | 1   | M 339        |
| 11   | 996 110 685 52 | rubber sleeve                     |         | 2   |              |
| 12   | 999 512 539 00 | hose clamp<br>90 - 110/9          |         | 8   |              |
| 13   | 996 110 120 53 | resonance tube                    |         | 1   |              |
| 14   | 996 110 686 50 | rubber sleeve                     | -00     | 2   |              |
| (14) | 996 110 686 51 | rubber sleeve                     | 01-     | 2   |              |
| 15   | 993 110 462 02 | vacuum unit                       |         | 1   |              |
| 16   | 900 146 123 02 | screw<br>M 5 X 16                 |         | 2   |              |
| 17   | 996 110 510 52 | retaining bracket                 |         | 1   |              |
| --   | 996 110 511 50 | retaining bracket<br>venturi tube | 01-     | 1   | M 249        |
| 18   | 996 605 123 01 | change-over valve                 |         | 1   |              |

|       |      |    |    |              |              |        |       |            |         |     |         |
|-------|------|----|----|--------------|--------------|--------|-------|------------|---------|-----|---------|
| Model | Year | MG | SG | Illustration | Restrictions | Update | 11:17 | 25.11.2005 | PORSCHE | PET | PORSCHE |
| 996   | 05   | 1  | 07 | 107-10       |              | 194    |       |            |         |     |         |

| Pos  | Part Number    | Name                           | Remarks | Qty | Model | Pos | Part Number | Name | Remarks | Qty | Model |
|------|----------------|--------------------------------|---------|-----|-------|-----|-------------|------|---------|-----|-------|
| --   | 000 043 205 01 | pipe<br>4 X 1                  |         | *   |       |     |             |      |         |     |       |
| 19   | ---            | 420 MM                         |         | 1   |       |     |             |      |         |     |       |
| 20   | 928 574 717 03 | hose                           |         | 1   |       |     |             |      |         |     |       |
| --   | 000 043 204 99 | hose<br>3,5 X 2                |         | *   |       |     |             |      |         |     |       |
| 21   | -              | 148 MM                         |         | 1   | M 661 |     |             |      |         |     |       |
| (21) | -              | 176 MM                         |         | 1   |       |     |             |      |         |     |       |
| 22   | 999 230 498 40 | angled pipe                    |         | 1   |       |     |             |      |         |     |       |
| 23   | 999 230 535 40 | lock                           |         | 1   |       |     |             |      |         |     |       |
| 24   | 996 110 101 52 | intake manifold                |         | 2   |       |     |             |      |         |     |       |
| 25   | 996 110 103 50 | gasket                         |         | 2   |       |     |             |      |         |     |       |
| 26   | 900 378 174 09 | hexagon-head bolt<br>M 6 X 35  |         | 8   |       |     |             |      |         |     |       |
| 27   | 900 378 172 09 | hexagon-head bolt<br>AM 6 X 35 |         | 12  |       |     |             |      |         |     |       |
| 28   | 996 110 127 50 | vent line                      |         | 1   |       |     |             |      |         |     |       |
| (28) | 996 110 127 30 | vent line                      |         | 1   | M 339 |     |             |      |         |     |       |
| 29   | 999 512 554 00 | hose clamp<br>14 X 12          |         | 2   |       |     |             |      |         |     |       |
| 30   | 996 110 129 52 | vent line                      |         | 1   |       |     |             |      |         |     |       |
| 31   | 999 511 155 02 | clip<br>15 X 15                |         | 1   |       |     |             |      |         |     |       |
| 32   | 999 507 246 02 | speed nut<br>M 6               |         | 1   |       |     |             |      |         |     |       |
| 33   | 996 607 107 00 | support                        |         | 1   |       |     |             |      |         |     |       |
| 34   | 996 607 108 00 | support                        |         | 1   |       |     |             |      |         |     |       |
| 35   | 996 607 109 00 | support                        | -01     | 1   |       |     |             |      |         |     |       |
| 35   | 996 607 013 00 | support                        | 02      | 1   |       |     |             |      |         |     |       |
| 35   | 996 607 143 00 | support                        | 03-     | 1   |       |     |             |      |         |     |       |
| 36   | 900 378 163 09 | hexagon-head bolt<br>M 6 X 16  |         | 2   |       |     |             |      |         |     |       |
|      |                | - - - E N D - - -              |         |     |       |     |             |      |         |     |       |

|       |      |    |    |              |              |        |       |            |         |     |         |
|-------|------|----|----|--------------|--------------|--------|-------|------------|---------|-----|---------|
| Model | Year | MG | SG | Illustration | Restrictions | Update | 11:17 | 25.11.2005 | PORSCHE | PET | PORSCHE |
| 996   | 05   | 1  | 08 | 108-05       |              | 194    |       |            |         |     |         |

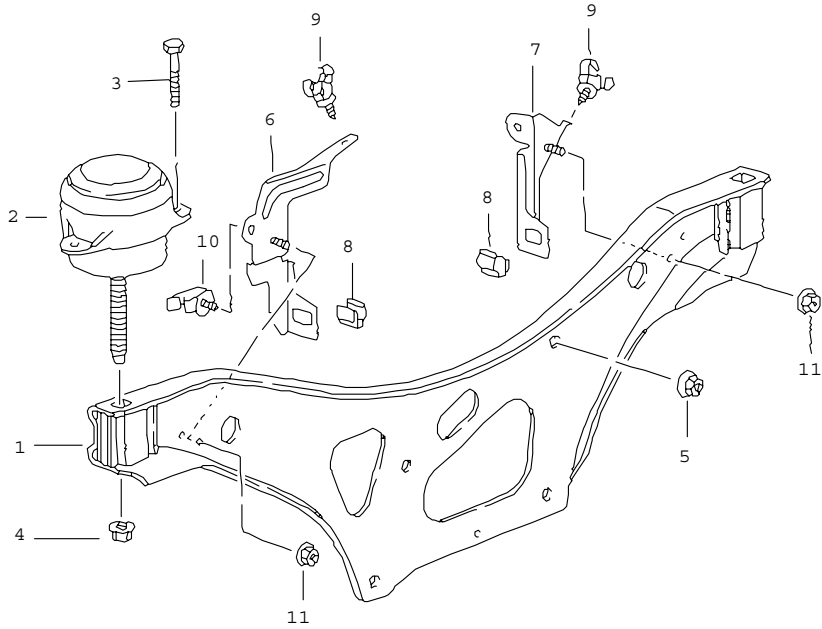


| Pos  | Part Number    | Name                              | Remarks    | Qty | Model                  |
|------|----------------|-----------------------------------|------------|-----|------------------------|
|      |                | air injection                     | -01<br>02- |     | M96.01/02/04<br>M96.03 |
| 1    | 996 605 103 01 | air pump                          | -99        | 1   |                        |
| (1)  | 996 605 104 00 | air pump                          | 00-        | 1   |                        |
| 2    | 999 703 442 40 | rubber mounting<br>6,5 X 14 X 1,5 |            | 1   |                        |
| 3    | 999 500 078 00 | speed nut<br>M 6                  |            | 2   |                        |
| 4    | 900 075 333 02 | hexagon-head bolt<br>M 6 X 25     |            | 1   |                        |
| 5    | 900 378 035 09 | hexagon-head bolt<br>M 6 X 16     |            | 1   |                        |
| 6    | 993 110 140 03 | vacuum tank                       |            | 1   |                        |
| 7    | 999 919 115 02 | oval-head screw<br>5,0 X 22       |            | 1   |                        |
| 8    | 996 113 131 52 | distributor housing               |            | 1   |                        |
| 9    | 993 113 250 03 | check valve                       |            | 1   |                        |
| 10   | 996 113 241 53 | hose                              |            | 1   |                        |
| 11   | 993 113 245 01 | shut-off valve                    | -99        | 1   |                        |
| (11) | 996 113 249 01 | shut-off valve                    | 00-        | 1   |                        |
| 12   | 928 574 717 03 | hose                              |            | 4   |                        |
| 13   | 999 512 657 09 | hose clamp<br>26 X 12             |            | 3   |                        |
| 14   | 996 113 239 55 | hose                              | -99        | 1   |                        |
| (14) | 996 113 239 56 | hose                              | 00-        | 1   |                        |
| 15   | 999 512 552 00 | hose clamp<br>28 X 12             |            | 1   |                        |
| 16   | 996 113 117 55 | air tube                          |            | 1   |                        |
| 17   | 964 110 950 01 | check valve                       |            | 1   |                        |
| 18   | 996 605 123 01 | change-over valve                 |            | 2   |                        |
| 19   | 928 573 727 03 | y-piece                           |            | 1   |                        |
| 20   | 928 573 729 02 | distributing piece                |            | 1   |                        |
| 21   | 900 123 011 30 | sealing ring<br>A 22 X 27         |            | 1   |                        |

|       |      |    |    |              |              |        |       |            |         |     |         |
|-------|------|----|----|--------------|--------------|--------|-------|------------|---------|-----|---------|
| Model | Year | MG | SG | Illustration | Restrictions | Update | 11:17 | 25.11.2005 | PORSCHE | PET | PORSCHE |
| 996   | 05   | 1  | 08 | 108-05       |              | 194    |       |            |         |     |         |

| Pos  | Part Number    | Name                                | Remarks | Qty | Model | Pos | Part Number | Name | Remarks | Qty | Model |
|------|----------------|-------------------------------------|---------|-----|-------|-----|-------------|------|---------|-----|-------|
| 22   | 996 605 105 02 | support                             | -99     | 1   |       |     |             |      |         |     |       |
| (22) | 996 605 124 00 | support                             | 00-     | 1   |       |     |             |      |         |     |       |
| 23   | 999 084 629 09 | hexagon nut<br>M 6                  |         | 5   |       |     |             |      |         |     |       |
| 24   | 999 703 465 00 | bonded rubber buffer<br>20 X 20 M 6 | -99     | 3   |       |     |             |      |         |     |       |
| (24) | 999 703 477 40 | bonded rubber buffer<br>20 X 20 M 6 | 00-     | 3   |       |     |             |      |         |     |       |
| 25   | 999 511 239 40 | cable holder<br>6,0 - 12,0          |         | 1   |       |     |             |      |         |     |       |
| 26   | 999 650 118 40 | clip                                |         | 1   |       |     |             |      |         |     |       |
| 27   | 999 239 040 40 | connecting piece                    |         | 1   |       |     |             |      |         |     |       |
| --   | 000 043 205 01 | pipe<br>4 X 1,0                     |         | *   |       |     |             |      |         |     |       |
| 28   | ---            | 120 MM                              |         | 2   |       |     |             |      |         |     |       |
| 29   | ---            | 420 MM                              |         | 1   |       |     |             |      |         |     |       |
| 30   | ---            | 150 MM                              |         | 1   |       |     |             |      |         |     |       |
| 31   | ---            | 50 MM                               |         | 1   |       |     |             |      |         |     |       |
| 32   | 996 110 339 50 | retaining bracket                   |         | 1   |       |     |             |      |         |     |       |
| 33   | 999 651 319 40 | cable holder<br>B 27,00             |         | 1   |       |     |             |      |         |     |       |
| 34   | 900 378 174 09 | hexagon-head bolt<br>M 6 X 35       |         | 1   |       |     |             |      |         |     |       |
| 35   | 996 113 145 50 | support                             |         | 1   |       |     |             |      |         |     |       |
| --   | 993 105 345 00 | plug                                |         | 1   | M480  |     |             |      |         |     |       |
|      |                | - - - E N D - - -                   |         |     |       |     |             |      |         |     |       |

|       |      |    |    |              |              |        |       |            |         |     |         |
|-------|------|----|----|--------------|--------------|--------|-------|------------|---------|-----|---------|
| Model | Year | MG | SG | Illustration | Restrictions | Update | 11:17 | 25.11.2005 | PORSCHE | PET | PORSCHE |
| 996   | 05   | 1  | 09 | 109-00       |              | 194    |       |            |         |     |         |



| Pos               | Part Number      | Name                        | Remarks    | Qty | Model                  |
|-------------------|------------------|-----------------------------|------------|-----|------------------------|
|                   |                  | engine suspension           | -01<br>02- |     | M96.01/02/04<br>M96.03 |
| 1                 | A 996 375 011 06 | engine carrier              |            | 1   |                        |
| 1                 | 996 375 011 07   | engine carrier              |            | 1   |                        |
| (1)               | 996 375 011 08   | engine carrier              | 02-        | 1   | M 96.03                |
| 2                 | 993 375 049 06   | engine mounting             |            | 2   |                        |
| 3                 | 900 378 055 09   | hexagon-head bolt           |            | 4   |                        |
| 4                 | 999 084 215 09   | hexagon nut<br>M 12 X 1,5   |            | 2   |                        |
| 5                 | 900 380 008 09   | hexagon nut<br>M 10         |            | 4   |                        |
| 6                 | 996 606 157 02   | support                     |            | 1   |                        |
| 7                 | 996 606 158 00   | support                     |            | 1   |                        |
| 8                 | 999 591 746 02   | cable terminal<br>7,0 - 9,0 |            | 2   |                        |
| 9                 | 999 511 239 40   | cable holder<br>6,0 - 12,0  |            | 2   |                        |
| 10                | 999 507 511 40   | cable holder<br>6,0 - 8,0   |            | 1   |                        |
| 11                | 900 377 010 09   | hexagon nut<br>M 6          |            | 2   |                        |
| - - - E N D - - - |                  |                             |            |     |                        |

|       |      |    |    |              |              |        |       |            |
|-------|------|----|----|--------------|--------------|--------|-------|------------|
| Model | Year | MG | SG | Illustration | Restrictions | Update | 13:40 | 28.11.2005 |
| 996   | 05   | 1  | 98 | REP          |              | 194    |       |            |

| Pos | Part Number      | Name                        | Remarks    | Qty | Model                  |
|-----|------------------|-----------------------------|------------|-----|------------------------|
|     |                  | set of seals<br>repair kits | -01<br>02- |     | M96.01/02/04<br>M96.03 |
| >>  | > 986 100 905 00 | set of seals<br>engine      |            | 1   |                        |
|     |                  | use also:                   |            |     |                        |
|     |                  | 996 104 269 00              |            | 1   |                        |
|     |                  | 996 104 270 05              |            | 1   |                        |
|     |                  | 996 110 103 50              |            | 2   |                        |
|     |                  | 996 110 247 50              |            | 6   |                        |
| -   | 996 101 361 51   | gasket                      |            | 1   |                        |
| -   | 996 101 363 50   | gasket                      |            | 1   |                        |
| -   | 999 701 789 40   | o-ring<br>12 X 2            |            | 4   |                        |
| -   | 996 101 331 50   | gasket                      |            | 1   |                        |
| -   | 996 101 336 50   | gasket                      |            | 1   |                        |
| -   | 900 123 147 30   | sealing ring<br>A 27 X 32   |            | 4   |                        |
| -   | 900 123 106 30   | sealing ring<br>A 18 X 24   |            | 1   |                        |
| -   | 996 113 233 50   | gasket                      |            | 1   |                        |
| -   | 996 113 213 51   | gasket                      |            | 1   |                        |
| -   | 999 113 475 40   | shaft seal<br>40 X 62 X10   |            | 1   |                        |
| -   | 999 113 490 40   | shaft seal<br>85 X 105 X 11 |            | 1   |                        |
| -   | 999 218 005 02   | pan-head screw<br>M 6 X 16  |            | 6   |                        |
| -   | 900 123 007 30   | sealing ring<br>A 14 X 18   |            | 1   |                        |
| -   | 996 105 223 52   | cover                       |            | 2   |                        |
| -   | 000 043 203 64   | assembly kit                |            | 1   |                        |
| -   | 999 707 343 40   | o-ring<br>25,07 X 2,62      |            | 6   |                        |
| -   | 999 707 215 40   | o-ring<br>27,94 X 5,33      |            | 6   |                        |
| -   | 996 104 215 54   | cover                       |            | 6   |                        |
| -   | U 999 707 391 40 | o-ring<br>52 X 2,5          |            | 1   |                        |

|       |      |    |    |              |              |        |       |            |
|-------|------|----|----|--------------|--------------|--------|-------|------------|
| Model | Year | MG | SG | Illustration | Restrictions | Update | 13:40 | 28.11.2005 |
| 996   | 05   | 1  | 98 | REP          |              | 194    |       |            |

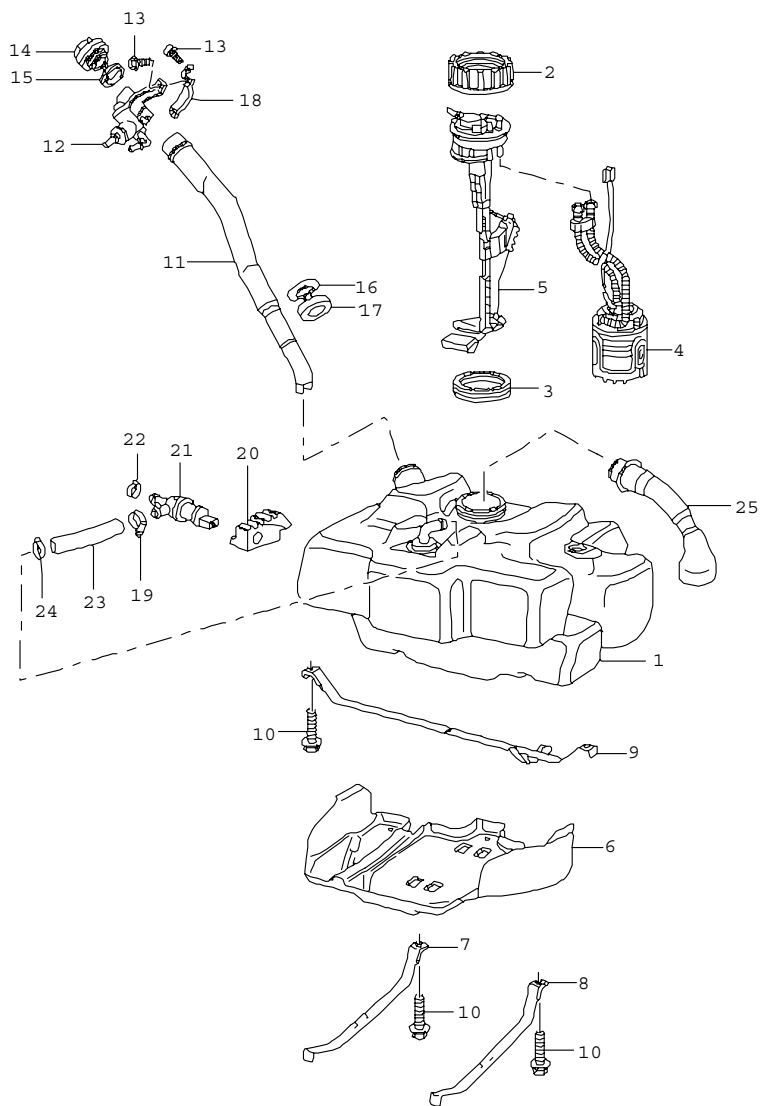
| Pos | Part Number      | Name                          | Remarks | Qty | Model |
|-----|------------------|-------------------------------|---------|-----|-------|
| -   | 999 707 346 40   | o-ring<br>15 X 3              |         | 6   |       |
| -   | 999 707 344 40   | o-ring<br>18,77 X 1,78        |         | 2   |       |
| -   | 996 107 103 51   | o-ring                        |         | 2   |       |
| -   | 996 107 261 50   | sealing ring                  |         | 1   |       |
| -   | 996 106 316 51   | gasket                        |         | 1   |       |
| -   | 996 106 321 50   | gasket                        |         | 1   |       |
| -   | 900 123 144 30   | sealing ring<br>A 10 X 13,5   |         | 1   |       |
| -   | 996 107 337 50   | gasket                        |         | 1   |       |
| -   | 996 107 221 51   | o-ring<br>95 X 2,5            |         | 2   |       |
| -   | U 900 378 156 09 | hexagon-head bolt<br>M 6 X 20 |         | 18  |       |
| -   | 999 217 150 09   | hexagon-head bolt<br>M 6 X 20 |         | 18  |       |
| -   | 999 707 409 40   | o-ring<br>26 X 3              |         | 2   |       |
| -   | 999 707 389 40   | o-ring<br>35 X 4              |         | 2   |       |
| -   | 996 107 313 51   | sealing ring                  |         | 1   |       |
| -   | 999 707 375 40   | o-ring<br>30 X 3              |         | 1   |       |
| -   | 900 378 030 09   | hexagon-head bolt<br>M 6 X 20 |         | 2   |       |
| -   | 999 707 369 40   | o-ring<br>9,5 X 3,5           |         | 1   |       |
| -   | 999 707 348 40   | o-ring<br>42 X 4              |         | 2   |       |
| -   | 996 107 122 00   | sealing ring<br>14 X 1,78     |         | 1   |       |
| -   | 999 707 154 40   | o-ring<br>18,77 X 1,78        |         | 1   |       |
| -   | 996 106 340 51   | gasket                        |         | 1   |       |
| -   | 996 106 326 50   | gasket                        |         | 1   |       |
| -   | 996 110 247 01   | gasket                        |         | 6   |       |

|       |      |    |    |              |              |        |       |            |
|-------|------|----|----|--------------|--------------|--------|-------|------------|
| Model | Year | MG | SG | Illustration | Restrictions | Update | 13:40 | 28.11.2005 |
| 996   | 05   | 1  | 98 | REP          |              | 194    |       |            |

| Pos | Part Number    | Name                           | Remarks | Qty | Model |
|-----|----------------|--------------------------------|---------|-----|-------|
| -   | 900 378 172 09 | hexagon-head bolt<br>AM 6 X 35 |         | 12  |       |
| -   | 900 123 011 30 | sealing ring<br>A 22 X 27      |         | 1   |       |
| -   | 996 111 107 54 | gasket                         |         | 2   |       |
| -   | 900 378 131 00 | hexagon-head bolt<br>M 8 X 28  |         | 12  |       |
| -   | 900 378 163 09 | hexagon-head bolt<br>M 6 X 16  |         | 3   |       |
|     |                | - - - E N D - - -              |         |     |       |



|       |      |    |    |              |              |        |       |            |         |     |         |
|-------|------|----|----|--------------|--------------|--------|-------|------------|---------|-----|---------|
| Model | Year | MG | SG | Illustration | Restrictions | Update | 11:18 | 25.11.2005 | PORSCHE | PET | PORSCHE |
| 996   | 05   | 2  | 01 | 201-00       |              | 194    |       |            |         |     |         |

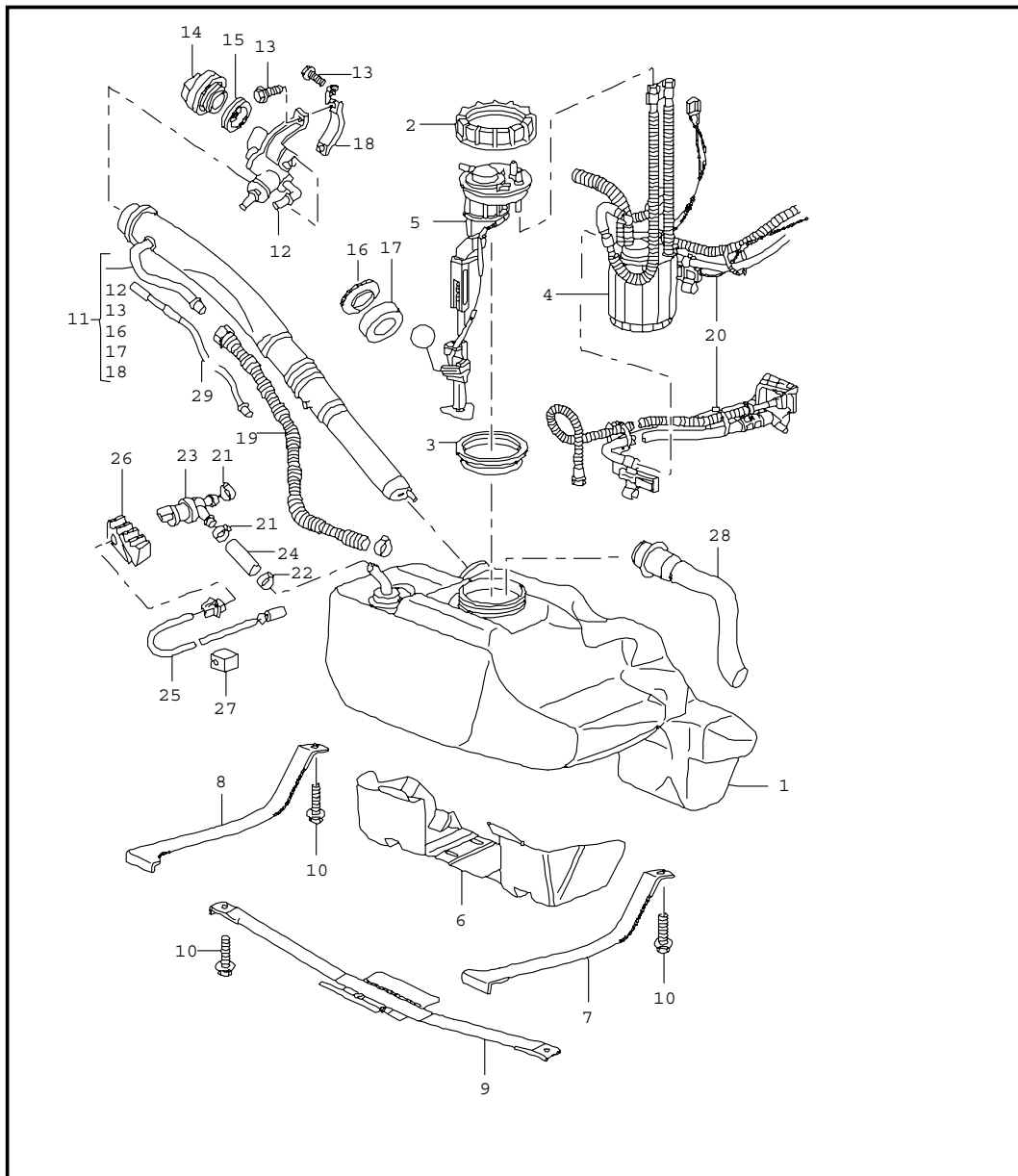


| Pos  | Part Number    | Name                          | Remarks | Qty | Model     |
|------|----------------|-------------------------------|---------|-----|-----------|
|      |                | fuel tank                     |         |     | M 338     |
|      |                |                               | 02-     |     | TARGA     |
| 1    | 996 201 021 02 | fuel tank                     | /LL -01 | 1   |           |
| 1    | 996 201 021 05 | fuel tank                     | /LL 02- | 1   |           |
| (1)  | 996 201 022 02 | fuel tank                     | /RL -01 | 1   |           |
| (1)  | 996 201 022 03 | fuel tank                     | /RL 02- | 1   |           |
| 2    | 996 201 623 00 | union nut                     |         | 1   |           |
| 3    | 321 919 133    | sealing ring                  |         | 1   |           |
| 4    | 996 620 102 00 | fuel pump                     | -01     | 1   |           |
| (4)  | 996 620 132 00 | fuel pump                     | 02-     | 1   |           |
| 5    | 996 641 801 00 | tank gauge                    | -99     | 1   |           |
| (5)  | 996 620 808 00 | tank gauge                    | -01     | 1   |           |
| (5)  | 996 620 832 01 | tank gauge                    | 02-     | 1   |           |
| 6    | 996 201 331 00 | protective plate              | /LL     | 1   |           |
| (6)  | 996 201 331 02 | protective plate              | /RL     | 1   |           |
| 7    | 996 201 105 02 | restraining strap             |         | 1   |           |
| 8    | 996 201 106 02 | restraining strap             |         | 1   |           |
| 9    | 996 201 107 02 | restraining strap             | /LL     | 1   |           |
| 9    | 996 201 108 00 | restraining strap             | /RL     | 1   |           |
| 10   | 900 075 479 09 | screw<br>M 8 X 40             |         | 4   |           |
| 11   | 996 201 043 00 | filler neck                   | -00     | 1   |           |
| 11   | 996 201 043 09 | filler neck                   | 01-     | 1   |           |
| 11   | 996 201 043 01 | filler neck                   | -00     | 1   | M 150/193 |
| 11   | 996 201 043 10 | filler neck                   | 01-     | 1   | M 150/193 |
| 12   | 996 201 143 01 | bleeder valve                 |         | 1   |           |
| 13   | 900 378 036 09 | hexagon-head bolt<br>M 6 X 12 |         | 3   |           |
| 14 A | 996 201 241 00 | fuel tank cap                 | -98     | 1   |           |
| 14   | 996 201 241 01 | fuel tank cap                 | -00     | 1   |           |

|       |      |    |    |              |              |        |       |            |         |     |         |
|-------|------|----|----|--------------|--------------|--------|-------|------------|---------|-----|---------|
| Model | Year | MG | SG | Illustration | Restrictions | Update | 11:18 | 25.11.2005 | PORSCHE | PET | PORSCHE |
| 996   | 05   | 2  | 01 | 201-00       |              | 194    |       |            |         |     |         |

| Pos  | Part Number    | Name                          | Remarks | Qty | Model | Pos | Part Number | Name | Remarks | Qty | Model |
|------|----------------|-------------------------------|---------|-----|-------|-----|-------------|------|---------|-----|-------|
| (14) | 996 201 241 02 | fuel tank cap<br>with<br>clip | 01-     | 1   |       |     |             |      |         |     |       |
| --   | 999 507 499 40 | expansion rivet               |         | 1   |       |     |             |      |         |     |       |
| 15   | 191 201 557    | gasket                        |         | 1   |       |     |             |      |         |     |       |
| 16   | 996 201 755 00 | support washer                |         | 1   |       |     |             |      |         |     |       |
| 17   | 996 201 753 00 | gasket                        |         | 1   |       |     |             |      |         |     |       |
| 18   | 996 201 751 00 | support                       |         | 1   |       |     |             |      |         |     |       |
|      |                | - - - E N D - - -             |         |     |       |     |             |      |         |     |       |

|       |      |    |    |              |              |        |       |            |         |     |         |
|-------|------|----|----|--------------|--------------|--------|-------|------------|---------|-----|---------|
| Model | Year | MG | SG | Illustration | Restrictions | Update | 11:18 | 25.11.2005 | PORSCHE | PET | PORSCHE |
| 996   | 05   | 2  | 01 | 201-01       |              | 194    |       |            |         |     |         |

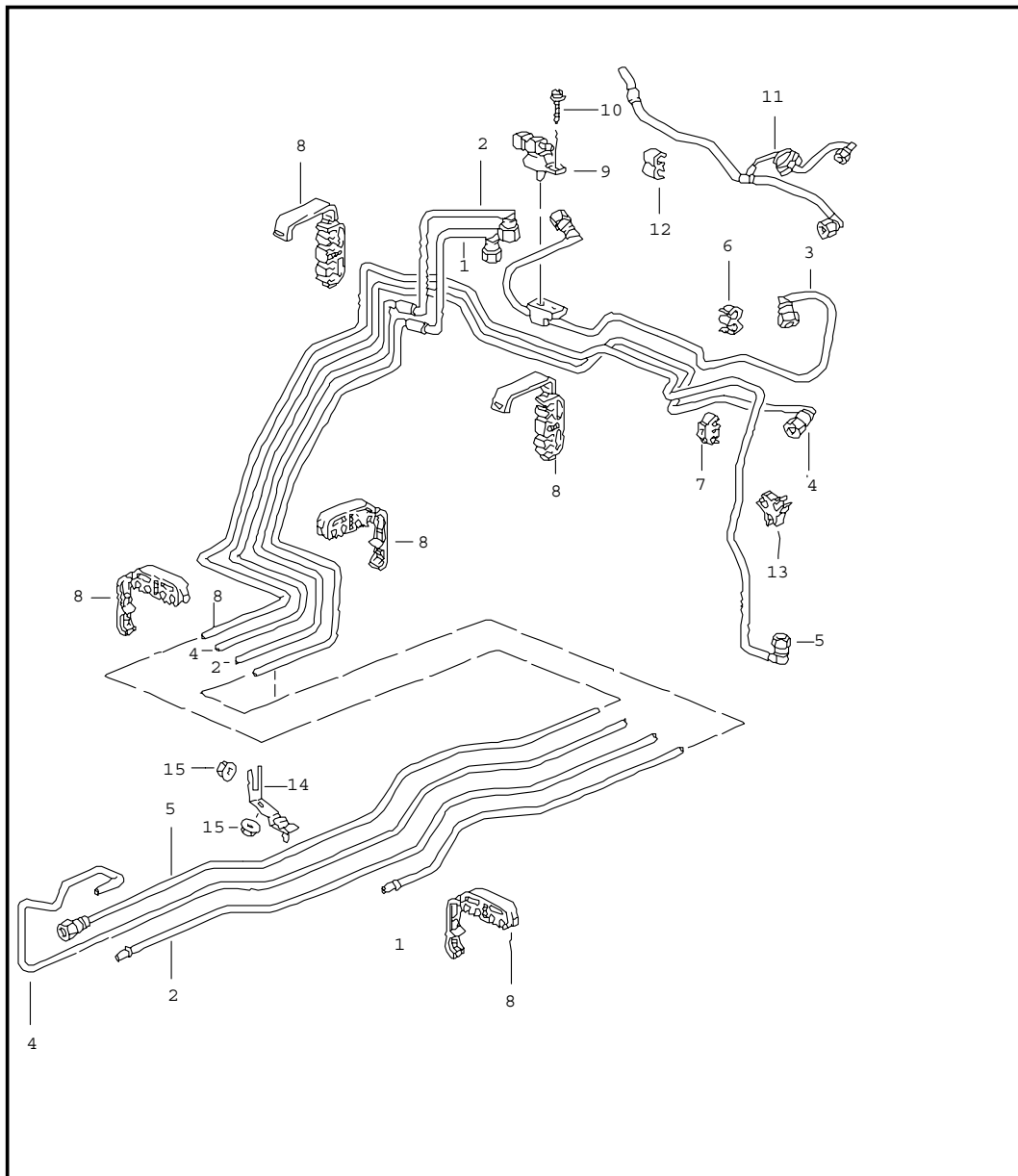


| Pos | Part Number    | Name                          | Remarks | Qty | Model     |
|-----|----------------|-------------------------------|---------|-----|-----------|
|     |                | fuel tank                     |         |     | M 339     |
|     |                |                               | 02-     |     | C 4/S     |
| 1   | 996 201 021 01 | fuel tank                     | /LL     | 1   |           |
| 1   | 996 201 022 01 | fuel tank                     | /RL     | 1   |           |
| 2   | 996 201 623 00 | union nut                     |         | 1   |           |
| 3   | 321 919 133    | gasket                        |         | 1   |           |
| 4   | 996 620 103 00 | fuel pump                     | /LL -01 | 1   |           |
| (4) | 996 620 133 00 | fuel pump                     | /LL 02- | 1   |           |
| 4   | 996 620 104 00 | fuel pump                     | /RL -01 | 1   |           |
| (4) | 996 620 134 00 | fuel pump                     | /RL 02- | 1   |           |
| 5   | 996 620 803 00 | tank gauge                    | /LL -01 | 1   |           |
| 5   | 996 620 804 00 | tank gauge                    | /RL -01 | 1   |           |
| (5) | 996 620 834 01 | tank gauge                    | /RL 02- | 1   |           |
| (5) | 996 620 833 02 | tank gauge                    | /LL 02- | 1   |           |
| 6   | 996 201 331 01 | protective plate              | /LL     | 1   |           |
| (6) | 996 201 331 03 | protective plate              | /RL     | 1   |           |
| 7   | 996 201 105 03 | restraining strap             |         | 1   |           |
| 8   | 996 201 106 03 | restraining strap             |         | 1   |           |
| 9   | 996 201 107 01 | restraining strap             |         | 1   |           |
| 10  | 900 075 479 09 | screw<br>M 8 X 40             |         | 4   |           |
| 11  | 996 201 043 03 | filler neck                   |         | 1   |           |
| 11  | 996 201 043 04 | filler neck                   |         | 1   | M 150/193 |
| 12  | 996 201 143 01 | bleeder valve                 |         | 1   |           |
| 13  | 900 378 036 09 | hexagon-head bolt<br>M 6 X 12 |         | 3   |           |
| 14  | 996 201 241 03 | fuel tank cap                 |         | 1   |           |
| 15  | 191 201 557    | gasket                        |         | 1   |           |
| 16  | 996 201 755 00 | support washer                |         | 1   |           |
| 17  | 996 201 753 00 | gasket                        |         | 1   |           |

|       |      |    |    |              |              |        |       |            |         |     |         |
|-------|------|----|----|--------------|--------------|--------|-------|------------|---------|-----|---------|
| Model | Year | MG | SG | Illustration | Restrictions | Update | 11:18 | 25.11.2005 | PORSCHE | PET | PORSCHE |
| 996   | 05   | 2  | 01 | 201-01       |              | 194    |       |            |         |     |         |

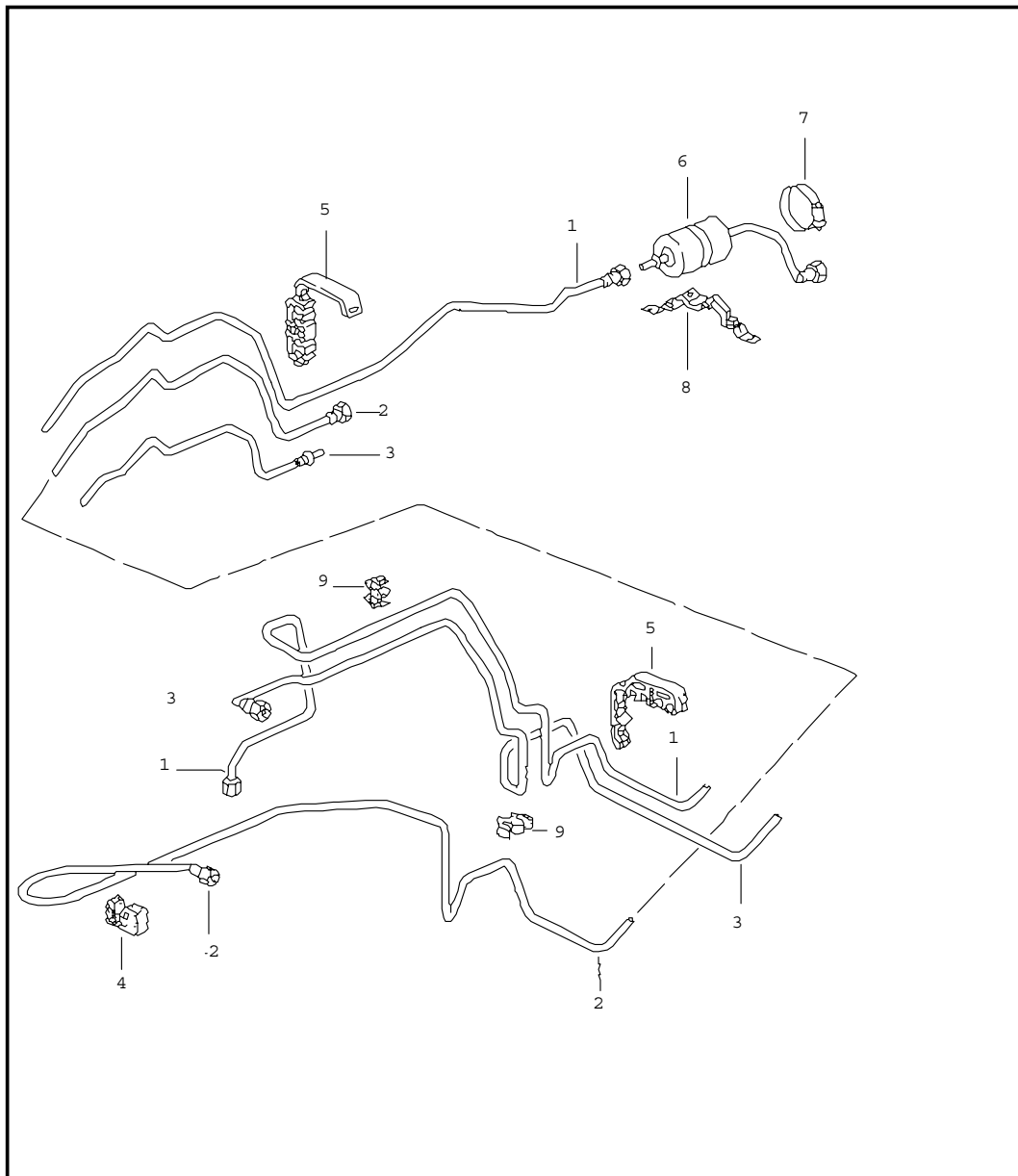
| Pos | Part Number    | Name              | Remarks | Qty | Model | Pos | Part Number | Name | Remarks | Qty | Model |
|-----|----------------|-------------------|---------|-----|-------|-----|-------------|------|---------|-----|-------|
| 18  | 996 201 751 00 | support           |         | 1   |       |     |             |      |         |     |       |
| 19  | 996 201 613 00 | vent line         |         | 1   |       |     |             |      |         |     |       |
| 20  | 996 620 113 00 | venturi tube      |         | 1   |       |     |             |      |         |     |       |
|     |                | - - - E N D - - - |         |     |       |     |             |      |         |     |       |

|       |      |    |    |              |              |        |       |            |         |     |         |
|-------|------|----|----|--------------|--------------|--------|-------|------------|---------|-----|---------|
| Model | Year | MG | SG | Illustration | Restrictions | Update | 11:18 | 25.11.2005 | PORSCHE | PET | PORSCHE |
| 996   | 05   | 2  | 01 | 201-05       |              | 194    |       |            |         |     |         |



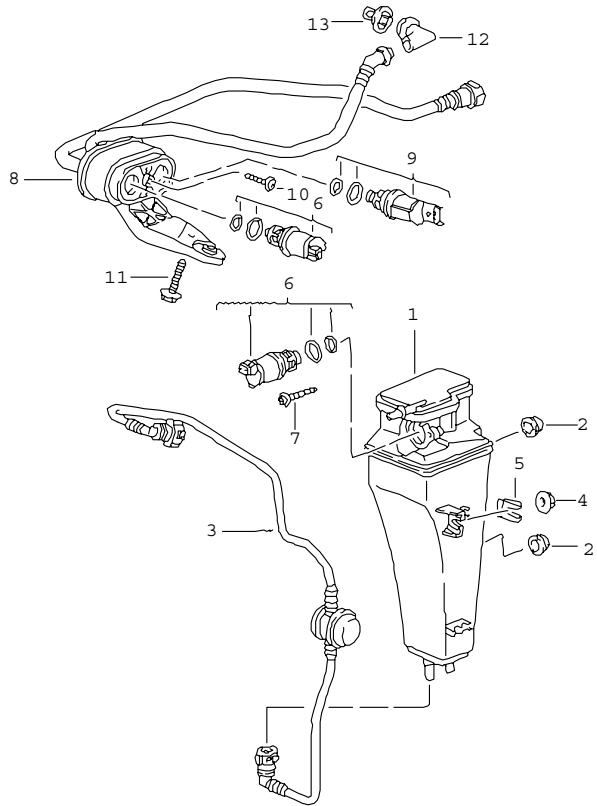
| Pos               | Part Number    | Name                      | Remarks | Qty | Model |
|-------------------|----------------|---------------------------|---------|-----|-------|
|                   |                | fuel system front         |         |     |       |
| 1                 | 986 201 261 01 | pressure line             | -01     | 1   | M 338 |
| 1                 | 996 201 261 02 | pressure line             | 02-     | 1   | M 338 |
| 1                 | 996 201 261 01 | pressure line             | -01     | 1   | M 339 |
| 1                 | 996 201 261 03 | pressure line             | 02-     | 1   | M 339 |
| 2                 | 996 201 271 00 | return line               | -01     | 1   | M 338 |
| 2                 | 996 201 271 01 | return line               | -01     | 1   | M 339 |
| 3                 | 996 201 251 01 | vent line                 |         | 1   |       |
| 3                 | 996 201 251 02 | vent line                 |         | 1   | M 339 |
| 4                 | 996 201 361 01 | air tube                  |         | 1   |       |
| 5                 | 996 201 351 00 | air tube                  |         | 1   |       |
| 6                 | 999 507 488 40 | cable holder              |         | 1   |       |
| 7                 | 999 507 487 40 | cable holder              |         | 1   |       |
| 8                 | 999 507 554 40 | cable holder              |         | 8   |       |
| 14                | 996 201 535 00 | support                   |         | 1   |       |
| 15                | 999 049 022 40 | plastic nut<br>T5/22 X 10 |         | 2   |       |
| - - - E N D - - - |                |                           |         |     |       |

|       |      |    |    |              |              |        |       |            |         |     |         |
|-------|------|----|----|--------------|--------------|--------|-------|------------|---------|-----|---------|
| Model | Year | MG | SG | Illustration | Restrictions | Update | 11:18 | 25.11.2005 | PORSCHE | PET | PORSCHE |
| 996   | 05   | 2  | 01 | 201-10       |              | 194    |       |            |         |     |         |



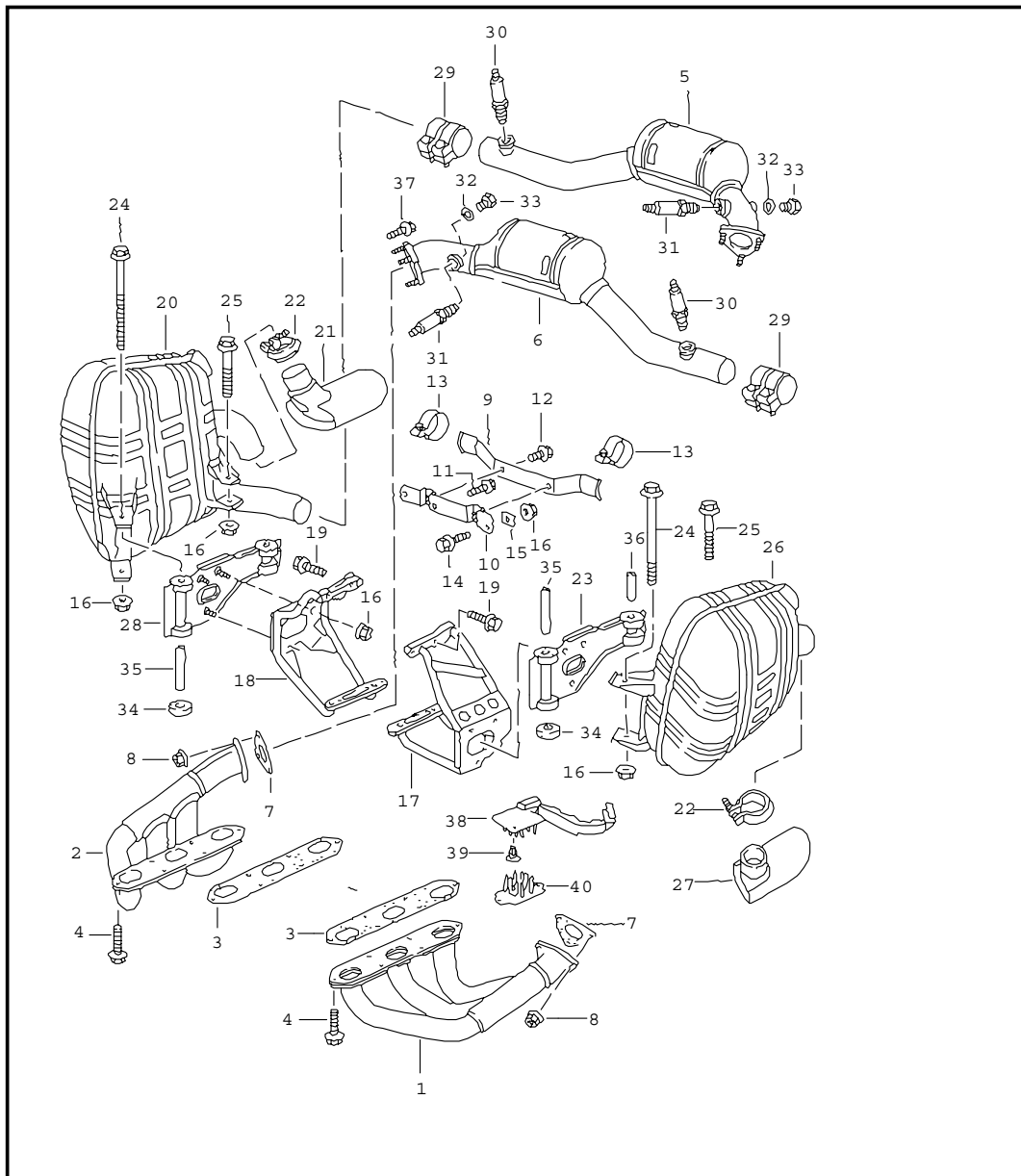
| Pos | Part Number    | Name                     | Remarks | Qty | Model |
|-----|----------------|--------------------------|---------|-----|-------|
|     |                | fuel system rear         |         |     |       |
| 1   | 996 201 265 00 | fuel line                | -01     | 1   |       |
| 1   | 996 201 265 05 | pressure line            | 02-     | 1   |       |
| 1   | 996 201 265 01 | pressure line            | -01     | 1   | M 339 |
| 2   | 996 201 275 02 | fuel line                | -01     | 1   |       |
| 3   | 996 201 355 00 | air tube                 | -01     | 1   |       |
| 3   | 996 201 355 02 | purge-air line           | 02-     | 1   |       |
| 4   | 999 591 922 40 | support                  | -01     | 2   |       |
| 5   | 999 507 521 40 | cable holder             |         | 3   |       |
| 6   | 996 110 253 01 | fuel filter              | -01     | 1   |       |
| (6) | 996 110 253 52 | fuel filter              | -01     | 1   | M 339 |
| 7   | 999 512 635 00 | hose clamp<br>76 X 12    | -01     | 1   |       |
| 7   | 999 512 390 00 | hose clamp<br>60 - 80/13 | -01     | 1   | M 339 |
| 8   | 996 504 517 00 | support                  | -01     | 1   |       |
| (8) | 996 110 257 03 | support                  | -01     | 1   | M 339 |
| 9   | 999 507 488 40 | cable holder             |         | 4   |       |
| (9) | 999 507 727 40 | cable holder             | 02-     | 2   |       |
|     |                | - - - E N D - - -        |         |     |       |

|       |      |    |    |              |              |        |       |            |         |     |         |
|-------|------|----|----|--------------|--------------|--------|-------|------------|---------|-----|---------|
| Model | Year | MG | SG | Illustration | Restrictions | Update | 11:18 | 25.11.2005 | PORSCHE | PET | PORSCHE |
| 996   | 05   | 2  | 01 | 201-20       |              | 194    |       |            |         |     |         |



| Pos | Part Number    | Name                        | Remarks | Qty | Model |
|-----|----------------|-----------------------------|---------|-----|-------|
|     |                | carbon canister             |         |     |       |
| 1   | 996 201 221 09 | carbon canister             |         | 1   |       |
| 2   | 999 702 221 40 | grommet                     |         | 2   |       |
| 3   | 996 201 255 07 | vent line                   |         | 1   |       |
| 4   | 999 084 629 09 | hexagon nut<br>M 6          |         | 1   |       |
| 5   | 999 507 543 02 | clamp<br>2,00 - 3,00        |         | 1   |       |
| 6   | 996 605 201 01 | shut-off valve              |         | 1   | M 660 |
| 7   | 999 919 171 07 | oval-head screw<br>5,0 X 20 |         | 1   | M 660 |
|     |                | - - - E N D - - -           |         |     |       |

|       |      |    |    |              |              |        |       |            |         |     |         |
|-------|------|----|----|--------------|--------------|--------|-------|------------|---------|-----|---------|
| Model | Year | MG | SG | Illustration | Restrictions | Update | 11:19 | 25.11.2005 | PORSCHE | PET | PORSCHE |
| 996   | 05   | 2  | 02 | 202-00       |              | 194    |       |            |         |     |         |



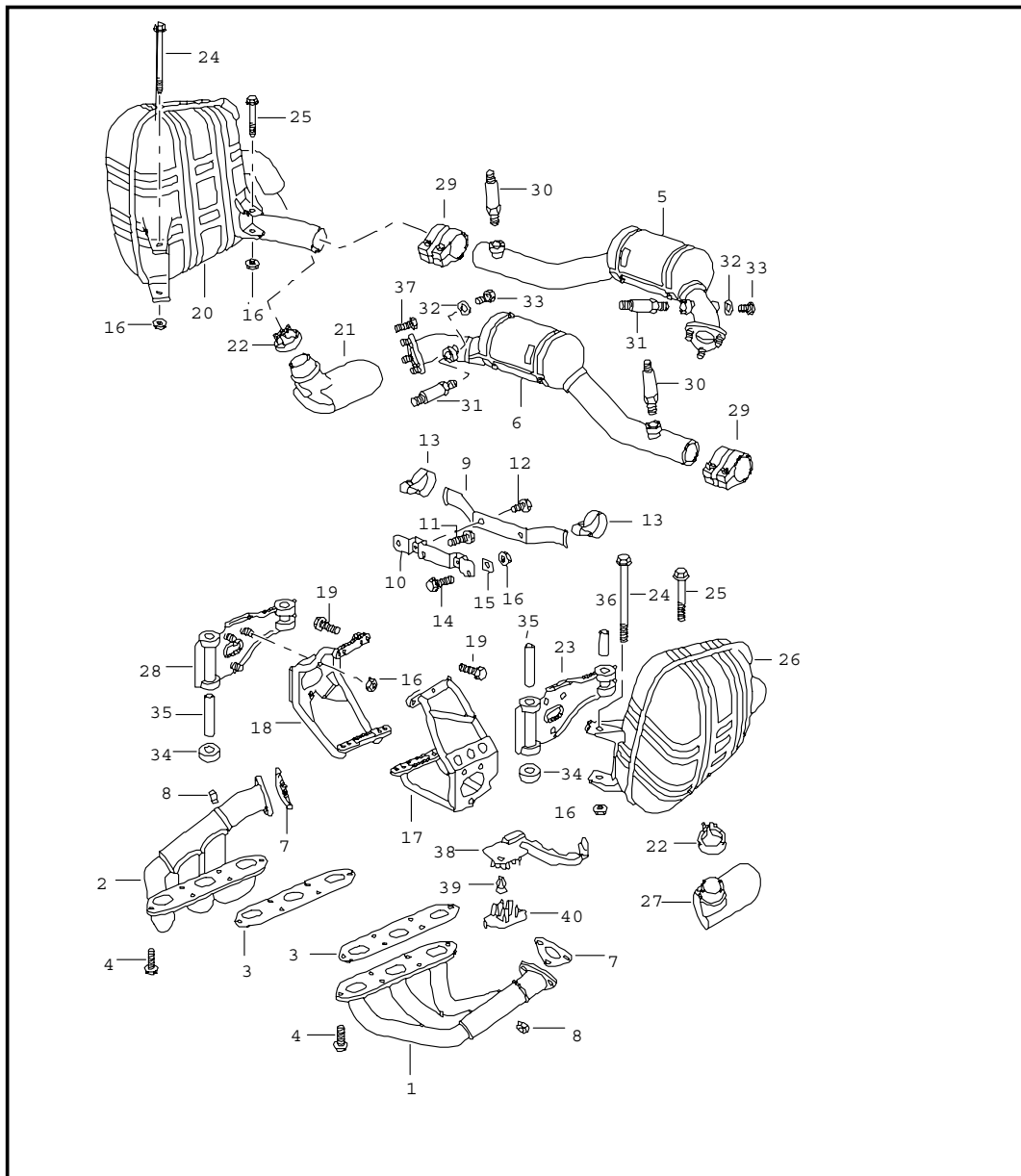
| Pos | Part Number      | Name                          | Remarks | Qty | Model        |
|-----|------------------|-------------------------------|---------|-----|--------------|
|     |                  | exhaust system                | -01     |     | M96.01/02/04 |
| 1   | 996 111 101 52   | exhaust manifold              |         | 1   |              |
| 2   | 996 111 102 52   | exhaust manifold              |         | 1   |              |
| 3   | A 996 111 107 52 | gasket                        |         | 2   |              |
| (3) | 996 111 107 54   | gasket                        |         | 2   |              |
| (3) | 996 111 107 55   | gasket                        |         | 2   | X 51         |
| 4   | 900 378 131 00   | hexagon-head bolt<br>M 8 X 28 |         | 12  |              |
| 5   | 996 113 021 54   | catalytic converter           | -98     | 1   | M 499        |
| 5   | 996 113 021 57   | catalytic converter           | 99-     | 1   | M 499        |
| 5   | 996 113 021 56   | catalytic converter           | 01      | 1   | M 661        |
| 5   | 996 113 021 52   | catalytic converter           | -98     | 1   |              |
| 5   | 996 113 021 55   | catalytic converter           | 99-     | 1   |              |
| 6   | 996 113 022 54   | catalytic converter           | -98     | 1   | M 499        |
| 6   | 996 113 022 57   | catalytic converter           | 99-     | 1   | M 499        |
| 6   | 996 113 022 56   | catalytic converter           | 01      | 1   | M 661        |
| 6   | 996 113 022 52   | catalytic converter           | -98     | 1   |              |
| 6   | 996 113 022 55   | catalytic converter           | 99-     | 1   |              |
| 7   | 996 111 113 50   | gasket                        |         | 2   |              |
| 8   | 999 084 052 02   | lock nut<br>M 8               |         | 6   |              |
| 9   | 996 113 123 52   | support                       |         | 1   |              |
| 10  | 996 113 223 50   | bracket                       |         | 1   |              |
| 11  | 900 378 188 09   | hexagon-head bolt<br>M 6 X 20 |         | 1   |              |
| 12  | 900 378 187 09   | hexagon-head bolt<br>M 8 X 12 |         | 2   |              |
| 13  | A 900 165 004 00 | clip                          |         | 2   |              |
| 13  | 999 511 087 00   | clip                          |         | 2   |              |
| 14  | 900 378 022 09   | hexagon-head bolt<br>M 8 X 25 |         | 2   |              |



|       |      |    |    |              |              |        |       |            |         |     |         |
|-------|------|----|----|--------------|--------------|--------|-------|------------|---------|-----|---------|
| Model | Year | MG | SG | Illustration | Restrictions | Update | 11:19 | 25.11.2005 | PORSCHE | PET | PORSCHE |
| 996   | 05   | 2  | 02 | 202-00       |              | 194    |       |            |         |     |         |

| Pos  | Part Number    | Name                           | Remarks | Qty | Model     | Pos  | Part Number    | Name                              | Remarks | Qty | Model |
|------|----------------|--------------------------------|---------|-----|-----------|------|----------------|-----------------------------------|---------|-----|-------|
| 15   | 900 031 001 02 | washer<br>9,0 X 13 X 3,0       |         | 2   |           | 31   | 996 606 168 01 | oxygen sensor                     | 02-     | 2   | M 661 |
| 16   | 900 380 005 09 | hexagon nut<br>M 8             |         | 12  |           | 32   | 900 123 050 20 | sealing ring<br>8 X 11,5          |         | 2   |       |
| 17   | 996 111 127 55 | support                        |         | 1   |           | 33   | 900 083 080 00 | hexagon-head bolt<br>M 8 X 1 X 10 |         | 2   |       |
| 18   | 996 111 128 54 | support                        |         | 1   |           | 34 A | 996 111 229 01 | damping piece                     |         | 8   |       |
| 19   | 900 378 033 09 | hexagon-head bolt<br>M 8 X 30  |         | 4   |           | 34   | 996 111 229 00 | damping piece                     |         | 8   |       |
| 20   | 996 111 121 55 | muffler                        | -98     | 1   | M 480     | 35   | 996 111 230 00 | spacer sleeve<br>long             |         | 2   |       |
| 20   | 996 111 121 56 | muffler                        | 99      | 1   | M 480     | 36   | 996 111 231 00 | spacer sleeve<br>short            |         | 2   |       |
| 20   | 996 111 121 56 | muffler                        | 00-     | 1   | M 480 (J) | 37   | 900 074 287 02 | hexagon-head bolt<br>M 8 X 35     |         | 6   |       |
| 20   | 996 111 121 57 | muffler                        | 00-     | 1   | M 480     | 38   | 996 606 156 00 | cable guide<br>oxygen sensor      |         | 1   |       |
| (20) | 996 111 131 54 | muffler                        |         | 1   | M 249     | 39   | 999 591 941 40 | expander nut<br>ST 4,2            |         | 3   |       |
| 21 A | 996 111 251 54 | tail pipe                      | -00     | 1   |           | 40   | 993 606 105 00 | support<br>oxygen sensor          |         | 1   |       |
| 21   | 996 111 251 55 | tail pipe                      | 01      | 1   |           |      |                |                                   |         |     |       |
| 22   | 996 111 108 00 | clip                           |         | 2   |           |      |                |                                   |         |     |       |
| 23   | 996 111 227 02 | support                        |         | 1   |           |      |                |                                   |         |     |       |
| 24   | 900 378 183 09 | hexagon-head bolt<br>M 8 X 140 |         | 2   |           |      |                |                                   |         |     |       |
| 25   | 900 378 105 09 | hexagon-head bolt<br>M 8 X 70  |         | 2   |           |      |                |                                   |         |     |       |
| 26   | 996 111 122 56 | muffler                        |         | 1   | M 480     |      |                |                                   |         |     |       |
| 26   | 996 111 122 56 | muffler                        | 00-     | 1   | M 480 (J) |      |                |                                   |         |     |       |
| 26   | 996 111 122 57 | muffler                        | 00-     | 1   | M 480     |      |                |                                   |         |     |       |
| (26) | 996 111 132 54 | muffler                        |         | 1   | M 249     |      |                |                                   |         |     |       |
| 27 A | 996 111 252 54 | tail pipe                      | -00     | 1   |           |      |                |                                   |         |     |       |
| 27   | 996 111 252 55 | tail pipe                      | 01      | 1   |           |      |                |                                   |         |     |       |
| 28   | 996 111 228 02 | support                        |         | 1   |           |      |                |                                   |         |     |       |
| 29   | 996 111 220 01 | clamping sleeve                |         | 2   |           |      |                |                                   |         |     |       |
| (30) | 993 606 118 01 | oxygen sensor                  | 00-     | 2   | M 661     |      |                |                                   |         |     |       |
| (30) | 996 606 178 01 | oxygen sensor                  | 02-     | 2   | M 661     |      |                |                                   |         |     |       |
| 31   | 993 606 128 01 | oxygen sensor                  |         | 2   |           |      |                |                                   |         |     |       |

|       |      |    |    |              |              |        |       |            |         |     |         |
|-------|------|----|----|--------------|--------------|--------|-------|------------|---------|-----|---------|
| Model | Year | MG | SG | Illustration | Restrictions | Update | 11:19 | 25.11.2005 | PORSCHE | PET | PORSCHE |
| 996   | 05   | 2  | 02 | 202-01       |              | 194    |       |            |         |     |         |



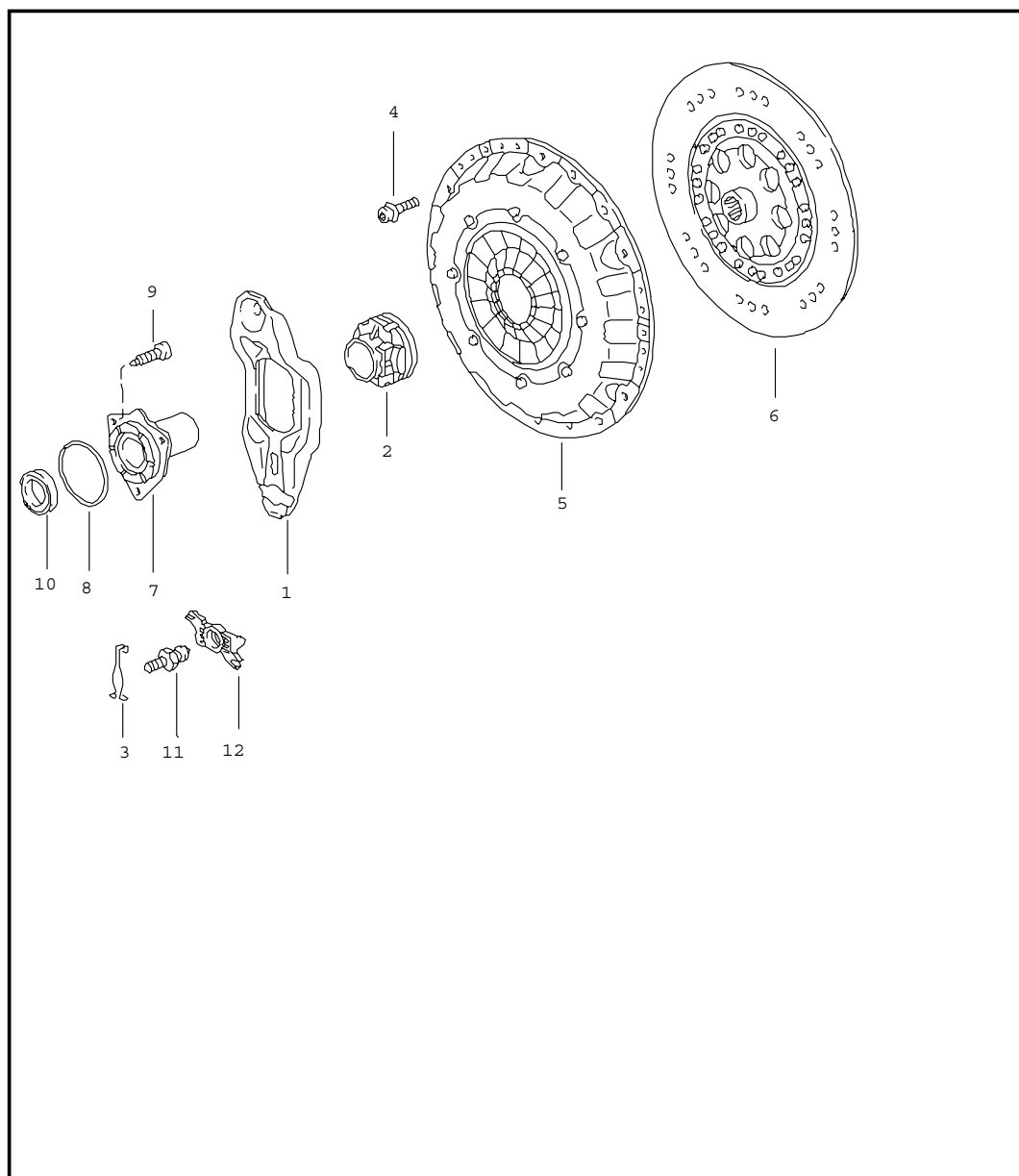
| Pos | Part Number    | Name                          | Remarks | Qty | Model  |
|-----|----------------|-------------------------------|---------|-----|--------|
|     |                | exhaust system                | 02-     |     | M96.03 |
| 1   | 996 111 101 53 | exhaust manifold              |         | 1   |        |
| 1   | 996 111 101 40 | exhaust manifold              |         | 1   | X 51   |
| 2   | 996 111 102 52 | exhaust manifold              |         | 1   |        |
| 2   | 996 111 102 40 | exhaust manifold              |         | 1   | X 51   |
| 3   | 996 111 107 55 | gasket                        |         | 2   |        |
| 4   | 999 075 071 00 | hexagon-head bolt<br>M 8 X 28 |         | 12  |        |
| 5   | 996 113 021 58 | catalytic converter           |         | 1   | M 661  |
| 5   | 996 113 021 55 | catalytic converter           |         | 1   |        |
| 6   | 996 113 022 58 | catalytic converter           |         | 1   | M 661  |
| 6   | 996 113 022 55 | catalytic converter           |         | 1   |        |
| 7   | 996 111 113 50 | gasket                        |         | 2   |        |
| 8   | 999 084 052 02 | lock nut<br>M 8               |         | 6   |        |
| 9   | 996 113 123 53 | support                       |         | 1   |        |
| 10  | 996 113 223 50 | bracket                       |         | 1   |        |
| 11  | 900 378 030 09 | hexagon-head bolt<br>M 6 X 20 |         | 1   |        |
| 12  | 900 378 123 09 | hexagon-head bolt<br>M 8 X 12 |         | 2   |        |
| 13  | 999 511 087 00 | clip                          |         | 2   |        |
| 14  | 900 378 022 09 | hexagon-head bolt<br>M 8 X 25 |         | 2   |        |
| 15  | 900 031 001 02 | washer<br>9,0 X 13 X 3,0      |         | 2   |        |
| 16  | 900 380 005 09 | hexagon nut<br>M 8            |         | 12  |        |
| 17  | 996 111 127 58 | support                       | 02      | 1   |        |
| 17  | 996 111 127 59 | support                       | 03-     | 1   |        |
| 18  | 996 111 128 56 | support                       | 02      | 1   |        |
| 18  | 996 111 128 57 | support                       | 03-     | 1   |        |

|       |      |    |    |              |              |        |       |            |         |     |         |
|-------|------|----|----|--------------|--------------|--------|-------|------------|---------|-----|---------|
| Model | Year | MG | SG | Illustration | Restrictions | Update | 11:19 | 25.11.2005 | PORSCHE | PET | PORSCHE |
| 996   | 05   | 2  | 02 | 202-01       |              | 194    |       |            |         |     |         |

| Pos    | Part Number    | Name                           | Remarks | Qty | Model                    | Pos    | Part Number    | Name                                   | Remarks | Qty | Model |
|--------|----------------|--------------------------------|---------|-----|--------------------------|--------|----------------|--|---------|-----|-------|
| 19     | 900 378 033 09 | hexagon-head bolt<br>M 8 X 30  |         | 4   |                          | 26     | 996 111 132 63 | muffler                                | C4S     | 1   |       |
| 20     | 996 111 131 57 | muffler                        |         | 1   |                          | 26     | 996 111 984 02 | main exhaust muffler                   | C4S -03 | 1   | XLF   |
| 20     | 996 111 985 03 | main exhaust muffler           | -03     | 1   | XLF                      | 26     | 996 111 984 05 | main exhaust muffler                   | C4S 04- | 1   | XLF   |
| 20     | 996 111 985 04 | main exhaust muffler           | 04-     | 1   | XLF                      | 27     | 996 111 053 02 | tail pipe<br>left                      | 02      | 1   |       |
| 20     | 996 111 131 66 | muffler                        |         | 1   | M 074/M114<br>M 193/479  | 27     | 996 111 053 04 | tail pipe<br>left                      | 03-     | 1   |       |
| 20     | 996 111 131 67 | muffler                        | C4S     | 1   | M 074/M114<br>M 193/479  | (27)   | 996 111 053 03 | tail pipe<br>left                      | 04-     | 1   | M 095 |
| 20     | 996 111 131 63 | muffler                        | C4S     | 1   |                          | (27) A | 996 111 252 58 | tail pipe<br>left                      | C4S     | 1   |       |
| 20     | 996 111 985 02 | main exhaust muffler           | C4S -03 | 1   | XLF                      | (27)   | 996 111 252 59 | tail pipe<br>left                      | C4S     | 1   |       |
| 20     | 996 111 985 05 | main exhaust muffler           | C4S 04- | 1   | XLF                      |        |                |  |         |     |       |
| 21     | 996 111 054 02 | tail pipe<br>right             | 02      | 1   |                          | 28     | 996 111 238 02 | support<br>right                       |         | 1   |       |
| 21     | 996 111 054 04 | tail pipe<br>right             | 03-     | 1   |                          | 29     | 996 111 220 01 | clamping sleeve                        |         | 2   |       |
| (21)   | 996 111 054 03 | tail pipe<br>right             | 04-     | 1   | M 095                    | 30     | 996 606 178 01 | oxygen sensor                          |         | 2   | M 661 |
| (21) A | 996 111 251 58 | tail pipe<br>right             | C4S     | 1   |                          | 31     | 996 606 168 01 | oxygen sensor                          |         | 2   |       |
| (21)   | 996 111 251 59 | tail pipe<br>right             | C4S     | 1   |                          | 32     | 900 123 050 20 | sealing ring<br>8 X 11,5               |         | 2   |       |
| 22     | 996 111 108 00 | clip                           |         | 2   |                          | 33     | 900 083 080 00 | hexagon-head bolt<br>M 8 X 1 X 10      |         | 2   |       |
| 23     | 996 111 237 02 | support<br>left                |         | 1   |                          | 37     | 900 074 287 02 | hexagon-head bolt<br>M 8 X 35          |         | 6   |       |
| 24     | 900 378 183 09 | hexagon-head bolt<br>M 8 X 140 |         | 2   |                          | 38     | 996 606 156 00 | cable guide<br>oxygen sensor           |         | 1   |       |
| 25     | 900 378 105 09 | hexagon-head bolt<br>M 8 X 70  |         | 2   |                          | 39     | 999 591 941 40 | expander nut<br>ST 4,2                 |         | 3   |       |
| 26     | 996 111 132 57 | muffler                        |         | 1   |                          | 40     | 993 606 105 00 | support<br>oxygen sensor               |         | 1   |       |
| 26     | 996 111 984 03 | main exhaust muffler           | -03     | 1   | XLF                      | --     | 996 606 157 07 | cable holder<br>oxygen sensor<br>left  |         | 1   |       |
| 26     | 996 111 984 04 | main exhaust muffler           | 04-     | 1   | XLF                      | --     | 996 606 158 04 | cable holder<br>oxygen sensor<br>right |         | 1   |       |
| 26     | 996 111 132 66 | muffler                        |         | 1   | M 074/M114<br>M 193/M479 | --     | 999 651 386 02 | cable clamp                            |         | X   |       |
| 26     | 996 111 132 67 | muffler                        | C4S     | 1   | M 074/M114<br>M 193/M479 |        |                |  |         |     |       |



|       |      |    |    |              |              |        |       |            |         |     |         |
|-------|------|----|----|--------------|--------------|--------|-------|------------|---------|-----|---------|
| Model | Year | MG | SG | Illustration | Restrictions | Update | 11:19 | 25.11.2005 | PORSCHE | PET | PORSCHE |
| 996   | 05   | 3  | 01 | 301-00       |              | 194    |       |            |         |     |         |



| Pos | Part Number    | Name   | Remarks      | Qty | Model                         |
|-----|----------------|--|--------------|-----|-------------------------------|
|     |                | clutch   | 99-01<br>02- |     | M96.01<br>M96.02/04<br>M96.03 |
|     |                | see technical information<br>group 3<br>NR. 7 / 00 |              |     |                               |
| 1   | 996 116 712 02 | clutch release lever                               |              | 1   |                               |
| 2   | 996 116 080 03 | clutch release bearing                             | 01           | 1   |                               |
| 2   | 996 116 080 04 | clutch release bearing                             | 02-          | 1   |                               |
| 3   | 012 141 741    | retaining spring                                   |              | 1   |                               |
| 4   | 900 067 131 02 | screw<br>M 8 X 16                                  |              | 6   |                               |
| 5   | 996 116 027 02 | pressure plate                                     |              | 1   |                               |
| 5   | 996 116 027 05 | pressure plate                                     | 02-          | 1   | M 96.03                       |
| 6   | 996 116 013 06 | clutch plate                                       |              | 1   |                               |
| 7   | 996 116 087 01 | guide sleeve                                       |              | 1   |                               |
| 9   | N 903 663 01   | pan-head screw<br>M 8 X 22                         |              | 2   |                               |
| 11  | 996 116 716 00 | ball pin   | -99          | 1   |                               |
| 11  | 996 116 716 02 | ball pin   | 00-          | 1   |                               |
| 12  | 012 141 751 A  | intermediate piece                                 |              | 1   |                               |
| -   | 996 116 911 00 | repair kit<br>complete<br>for<br>clutch            | -01          | 1   |                               |
|     |                | comprising:  |              |     |                               |
| -   | 996 116 027 02 | pressure plate                                     |              | 1   |                               |
| -   | 996 116 013 06 | clutch plate                                       |              | 1   |                               |
| -   | 996 116 080 03 | clutch release bearing                             |              | 1   |                               |
| -   | 996 116 911 02 | repair kit<br>for<br>clutch                        | 02-          | 1   |                               |
|     |                | comprising:  |              |     |                               |
| -   | 996 116 027 06 | pressure plate                                     |              | 1   |                               |
| -   | 996 116 013 06 | clutch plate                                       |              | 1   |                               |

|       |      |    |    |              |              |        |       |            |         |     |         |
|-------|------|----|----|--------------|--------------|--------|-------|------------|---------|-----|---------|
| Model | Year | MG | SG | Illustration | Restrictions | Update |       |            |         |     |         |
| 996   | 05   | 3  | 01 | 301-00       |              | 194    | 11:19 | 25.11.2005 | PORSCHE | PET | PORSCHE |

| Pos | Part Number    | Name                   | Remarks | Qty | Model | Pos | Part Number | Name | Remarks | Qty | Model |
|-----|----------------|------------------------|---------|-----|-------|-----|-------------|------|---------|-----|-------|
| -   | 996 116 080 04 | clutch release bearing |         | 1   |       |     |             |      |         |     |       |
|     |                | - - - E N D - - -      |         |     |       |     |             |      |         |     |       |

PORSCHE

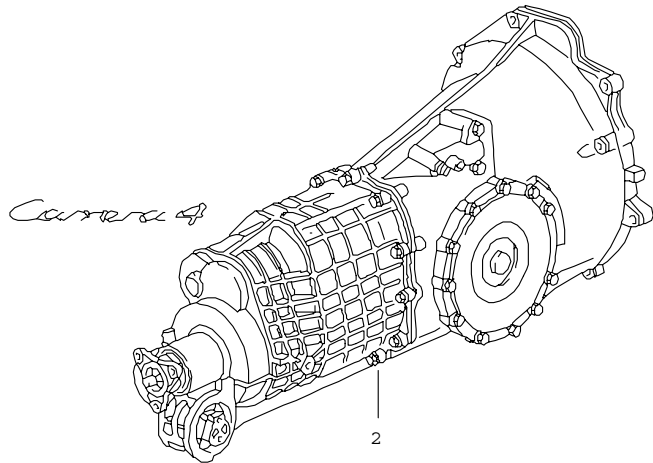
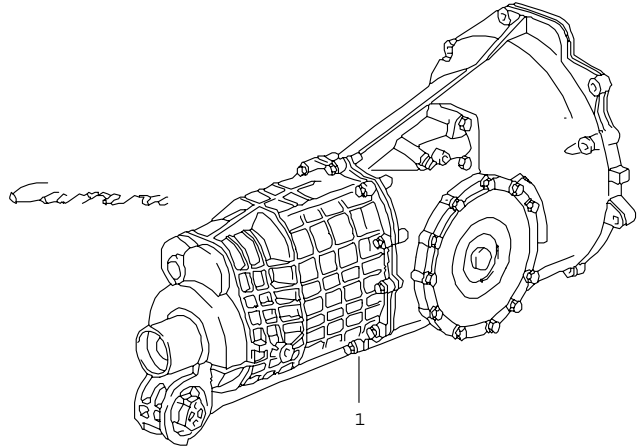
# PET

PORSCHE

|       |      |    |    |              |              |        |       |            |
|-------|------|----|----|--------------|--------------|--------|-------|------------|
| Model | Year | MG | SG | Illustration | Restrictions | Update |       |            |
| 996   | 05   | 3  | 01 | 301-05       |              | 194    | 11:19 | 25.11.2005 |

| Pos | Part Number | Name                 | Remarks | Qty | Model  |
|-----|-------------|----------------------|---------|-----|--------|
|     |             | clutch release       | -01     |     | G96.00 |
|     |             |                      | 99-01   |     | M 338  |
|     |             |                      | 02-     |     | G96.30 |
|     |             |                      | 02-     |     | M 339  |
|     |             |                      | 02-     |     | G96.01 |
|     |             |                      |         |     | M 338  |
|     |             |                      |         |     | G96.31 |
|     |             |                      |         |     | M 339  |
|     |             | see group<br>7/02/08 |         |     |        |
|     |             | - - - E N D - - -    |         |     |        |

|       |      |    |    |              |              |        |       |            |         |     |         |
|-------|------|----|----|--------------|--------------|--------|-------|------------|---------|-----|---------|
| Model | Year | MG | SG | Illustration | Restrictions | Update | 11:19 | 25.11.2005 | PORSCHE | PET | PORSCHE |
| 996   | 05   | 3  | 02 | 302-00       |              | 194    |       |            |         |     |         |



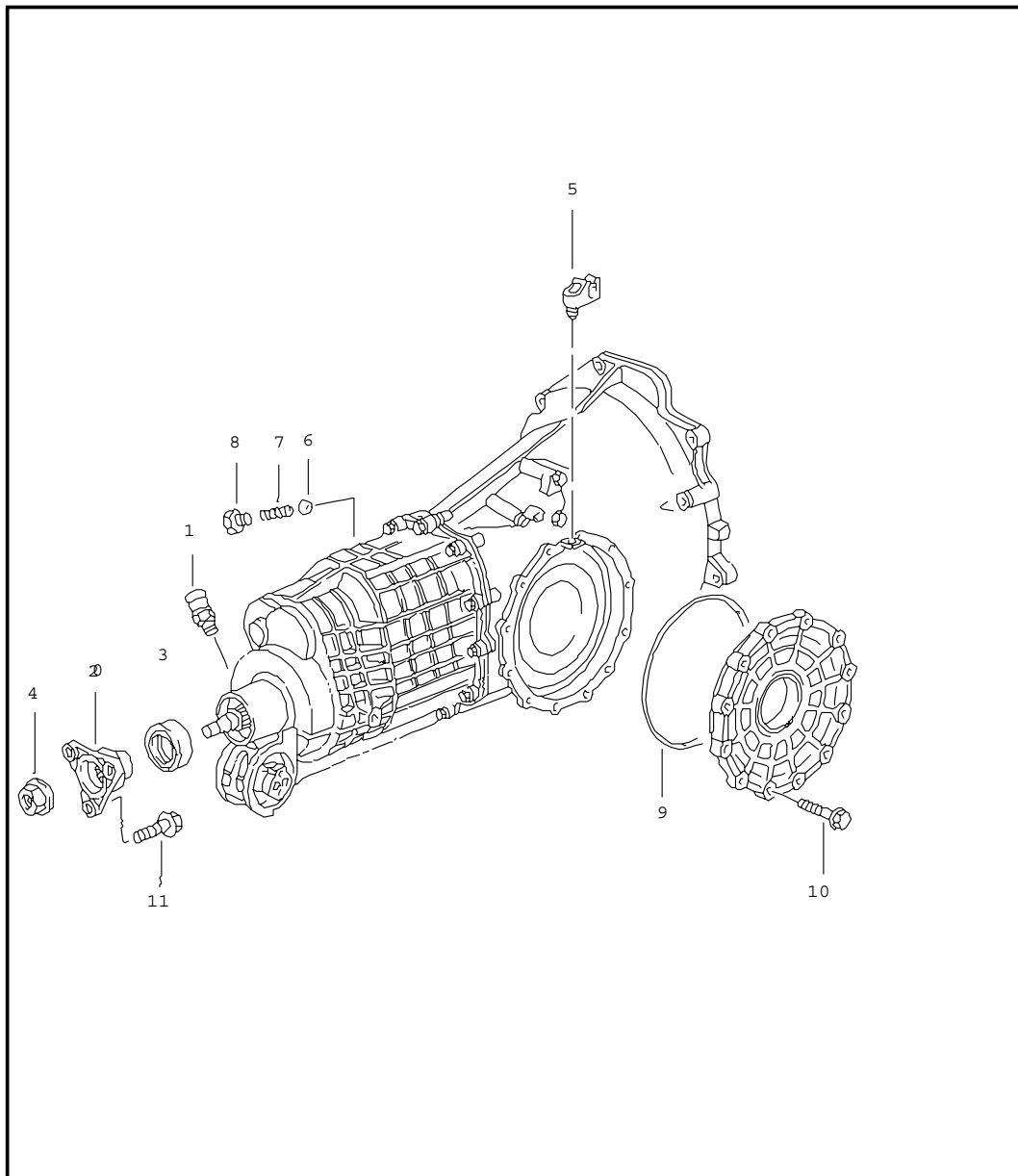
| Pos | Part Number      | Name  | Remarks                    | Qty    | Model                                |
|-----|------------------|---|----------------------------|--------|--------------------------------------|
|     |                  | replacement transmission  | -01<br>99-01<br>02-<br>02- |        | G96.00<br>G96.30<br>G96.01<br>G96.31 |
|     |                  | ready for installation<br>use also:<br>996.424.165.02<br>999.073.209.09   |                            | 1<br>2 |                                      |
| 1   | A 996 300 010 01 | transmission  |                            | 1      | M 219                                |
| 1   | A 996 300 020 00 | transmission<br>with<br>limited-slip differential<br>22/40 %  |                            | 1      | M 220                                |
| 1   | A 996 300 010 02 | transmission<br>F >>99WS6 05722<br>F >>99WS6 05672<br>use also:   | 98                         | 1      | M 219                                |
| -   | 996 424 041 12   | cable<br>transmission control   |                            | 1      |                                      |
| 1   | > 996 300 010 03 | transmission<br>F >>99WS6 05722<br>F >>99WS6 05672<br>use also:   | 99-01                      | 1      | M 219                                |
| -   | 996 424 041 12   | cable<br>transmission control   |                            | 1      |                                      |
| 1   | 996 300 010 06   | transmission  | 02-                        | 1      | M 219                                |
| 1   | A 996 300 020 01 | transmission<br>with<br>limited-slip differential<br>22/40 %<br>F >>99WS6 05722<br>F >>99WS6 05672<br>use also: | 98                         | 1      | M 220                                |
| -   | 996 424 041 12   | cable<br>transmission control   |                            | 1      |                                      |
| 1   | 996 300 020 02   | transmission<br>with<br>limited-slip differential<br>22/40 %<br>F >>99WS6 05722<br>F >>99WS6 05672<br>use also: | 99                         | 1      | M 220                                |
| -   | 996 424 041 12   | cable<br>transmission control   |                            | 1      |                                      |
| 2   | > 996 300 010 33 | transmission  | 99-01                      | 1      | M 339                                |



|       |      |    |    |              |              |        |       |            |         |     |         |  |
|-------|------|----|----|--------------|--------------|--------|-------|------------|---------|-----|---------|--|
| Model | Year | MG | SG | Illustration | Restrictions | Update |       |            |         |     |         |  |
| 996   | 05   | 3  | 02 | 302-00       |              | 194    | 11:19 | 25.11.2005 | PORSCHE | PET | PORSCHE |  |

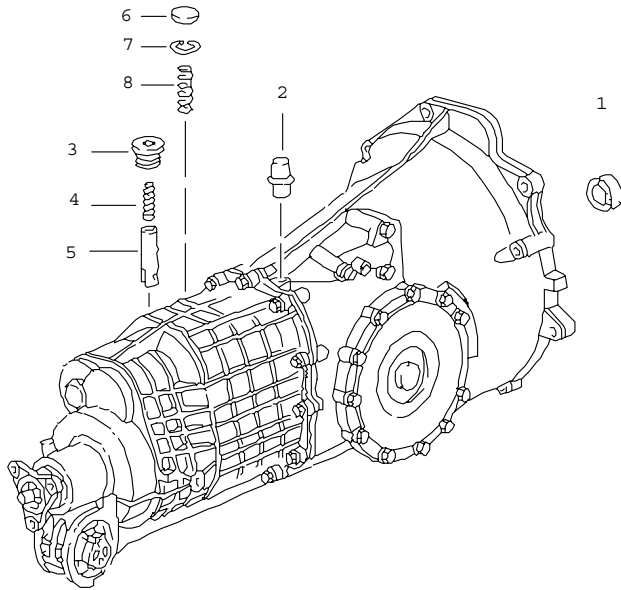
| Pos | Part Number      | Name  | Remarks | Qty | Model       | Pos | Part Number | Name | Remarks | Qty | Model |
|-----|------------------|---|---------|-----|-------------|-----|-------------|------|---------|-----|-------|
| 2   | > 996 300 010 36 | transmission                                      | 02-     | 1   | M 339       |     |             |      |         |     |       |
| 2   | > 996 300 020 07 | transmission<br>with<br>limited-slip differential | 04      | 1   | M 095 M 220 |     |             |      |         |     |       |
| 2   | > 996 300 020 37 | transmission<br>with<br>limited-slip differential | 04-     | 1   | IX 75       |     |             |      |         |     |       |
| -   | 000 043 204 19   | transmission oil<br>GEBINDE<br>20 LTR.            |         | X   |             |     |             |      |         |     |       |
|     |                  | - - - E N D - - -                                 |         |     |             |     |             |      |         |     |       |

|       |      |    |    |              |              |        |       |            |         |     |         |
|-------|------|----|----|--------------|--------------|--------|-------|------------|---------|-----|---------|
| Model | Year | MG | SG | Illustration | Restrictions | Update | 11:19 | 25.11.2005 | PORSCHE | PET | PORSCHE |
| 996   | 05   | 3  | 02 | 302-05       |              | 194    |       |            |         |     |         |



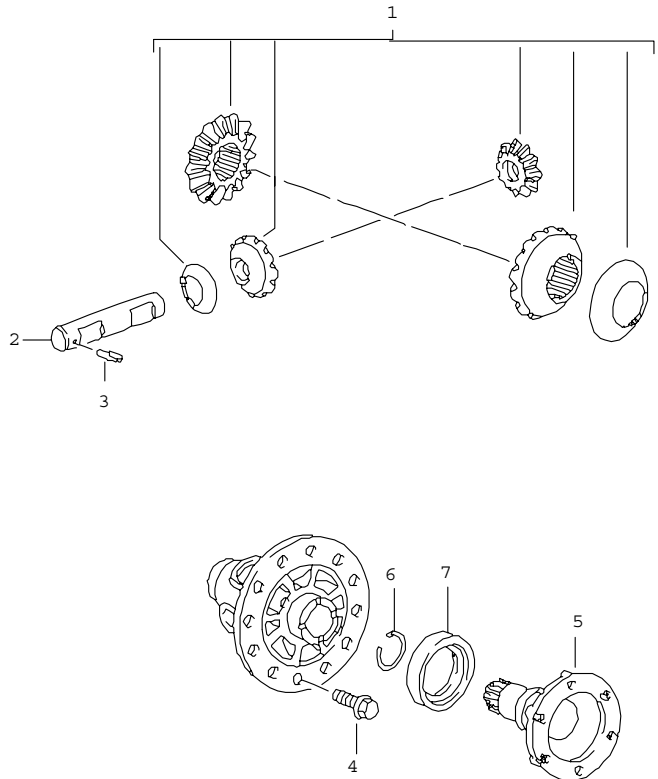
| Pos | Part Number    | Name                           | Remarks | Qty | Model  |
|-----|----------------|--------------------------------|---------|-----|--------|
|     |                | transmission                   | -01     |     | G96.00 |
|     |                |                                | 99-01   |     | M 338  |
|     |                |                                | 02-     |     | G96.30 |
|     |                |                                | 02-     |     | M 339  |
|     |                |                                | 02-     |     | G96.01 |
|     |                |                                | 02-     |     | M 338  |
|     |                |                                | 02-     |     | G96.31 |
|     |                |                                | 02-     |     | M 339  |
|     |                | installed<br>single parts      |         |     |        |
| 1   | 996 606 103 01 | switch                         |         | 1   |        |
| 2   | 996 302 033 00 | flange                         | 99-     | 1   | M 339  |
| 3   | 999 113 475 40 | shaft seal<br>40 X 62 X 10     | 99-     | 1   | M 339  |
| 4   | 996 302 317 00 | collar nut                     | 99-     | 1   | M 339  |
| 5   | 996 423 677 00 | support                        |         | 1   |        |
| 6   | 900 108 064 00 | ball<br>8                      |         | 4   |        |
| 7   | 996 303 245 00 | compression spring             |         | 4   |        |
| 8   | 900 124 023 02 | screw plug<br>M 10 X 1         |         | 4   |        |
| 9   | 996 301 315 00 | o-ring<br>190 X 3              |         | 1   |        |
| 10  | 996 301 317 00 | hexagon-head bolt<br>M 8 X 35  |         | X   |        |
| 11  | 900 378 101 09 | hexagon-head bolt<br>M 10 X 35 |         | 3   |        |
|     |                | - - - E N D - - -              |         |     |        |

|       |      |    |    |              |              |        |       |            |         |     |         |
|-------|------|----|----|--------------|--------------|--------|-------|------------|---------|-----|---------|
| Model | Year | MG | SG | Illustration | Restrictions | Update | 11:20 | 25.11.2005 | PORSCHE | PET | PORSCHE |
| 996   | 05   | 3  | 02 | 302-06       |              | 194    |       |            |         |     |         |



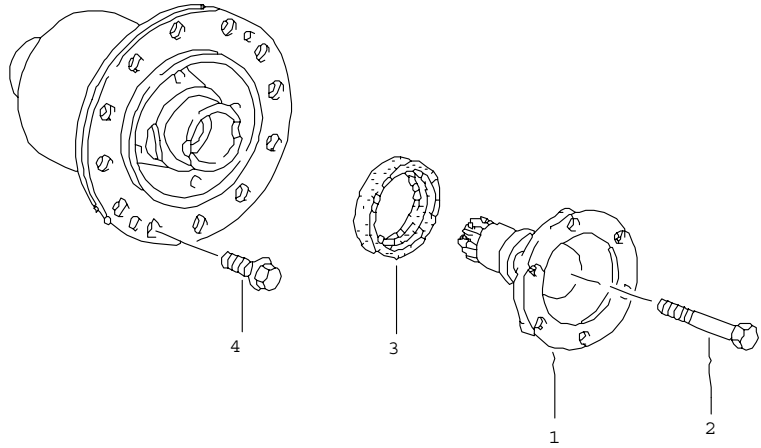
| Pos | Part Number    | Name                        | Remarks | Qty | Model  |
|-----|----------------|-----------------------------|---------|-----|--------|
|     |                | transmission                | -01     |     | G96.00 |
|     |                |                             | 99-01   |     | M 338  |
|     |                |                             | 02-     |     | G96.30 |
|     |                |                             | 02-     |     | M 339  |
|     |                | removed<br>single parts     |         |     | G96.01 |
|     |                |                             |         |     | M 338  |
|     |                |                             |         |     | G96.31 |
|     |                |                             |         |     | M 339  |
| 1   | 996 302 131 00 | shaft seal<br>28 X 40 X 7,5 |         | 1   |        |
| 2   | 996 301 071 00 | bleeder<br>17 X 12 X 28,1   |         | 1   |        |
| 3   | 996 303 237 00 | screw plug<br>M 18 X 15     |         | 1   |        |
| 4   | 996 303 235 00 | compression spring          |         | 1   |        |
| 5   | 996 303 035 00 | bolt                        |         | 1   |        |
| 6   | 996 303 257 00 | cover<br>20 X 4             |         | 1   |        |
| 7   | 900 042 003 01 | circlip<br>20 X 1           |         | 1   |        |
| 8   | 996 303 255 00 | compression spring          |         | 1   |        |
|     |                | - - - E N D - - -           |         |     |        |

|       |      |    |    |              |              |        |       |            |         |     |         |
|-------|------|----|----|--------------|--------------|--------|-------|------------|---------|-----|---------|
| Model | Year | MG | SG | Illustration | Restrictions | Update | 11:20 | 25.11.2005 | PORSCHE | PET | PORSCHE |
| 996   | 05   | 3  | 05 | 305-00       |              | 194    |       |            |         |     |         |



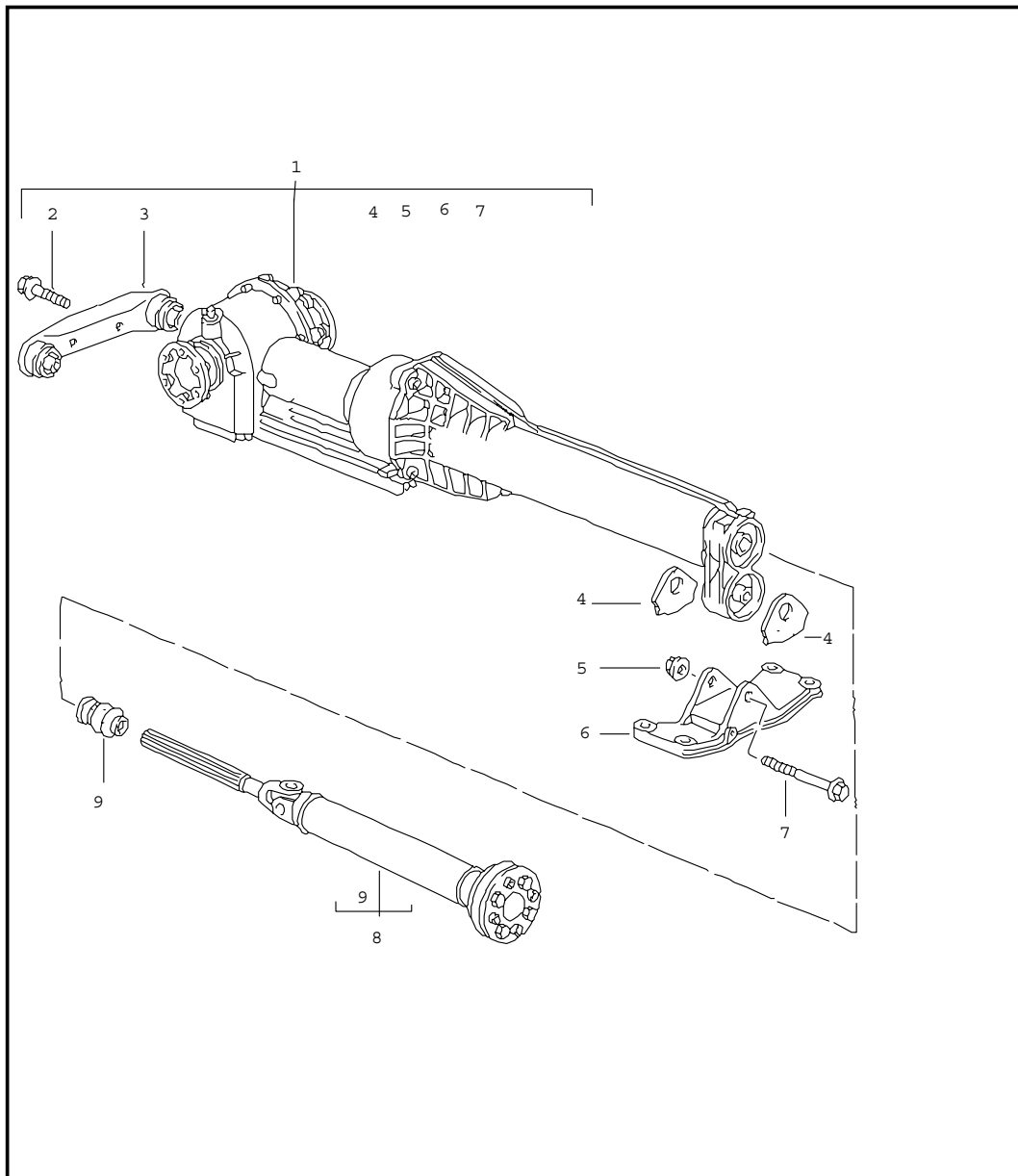
| Pos               | Part Number    | Name                                    | Remarks | Qty | Model  |
|-------------------|----------------|---|---------|-----|--------|
|                   |                | differential                            | -01     |     | G96.00 |
|                   |                |   | 99-01   |     | M 338  |
|                   |                |   | 02-     |     | G96.30 |
|                   |                |   | 02-     |     | M 339  |
|                   |                |   | 02-     |     | G96.01 |
|                   |                |   | 02-     |     | M 338  |
|                   |                |   | 02-     |     | G96.31 |
|                   |                |   | 02-     |     | M 339  |
| 1                 | 996 332 922 00 | differential pinions<br>1 set           |         | 1   |        |
| 2                 | 996 332 205 00 | differential bolt                       |         | 1   |        |
| 3                 | 900 309 038 01 | pin<br>5 X 16                           |         | 1   |        |
| 4                 | 996 332 276 00 | hexagon-head bolt<br>M 12 X 1,25 X 22,5 |         | 12  |        |
| 5                 | 996 332 209 00 | joint flange                            | -01     | 2   |        |
| (5)               | 996 332 209 50 | joint flange                            | 02-     | 2   |        |
| 6                 | 996 332 249 00 | snap ring<br>35 X 2,5                   |         | 2   |        |
| 7                 | 999 113 347 40 | shaft seal<br>48 X 68 X 10              |         | 2   |        |
| - - - E N D - - - |                |   |         |     |        |

|       |      |    |    |              |              |        |       |            |         |     |         |
|-------|------|----|----|--------------|--------------|--------|-------|------------|---------|-----|---------|
| Model | Year | MG | SG | Illustration | Restrictions | Update | 11:20 | 25.11.2005 | PORSCHE | PET | PORSCHE |
| 996   | 05   | 3  | 05 | 305-05       |              | 194    |       |            |         |     |         |



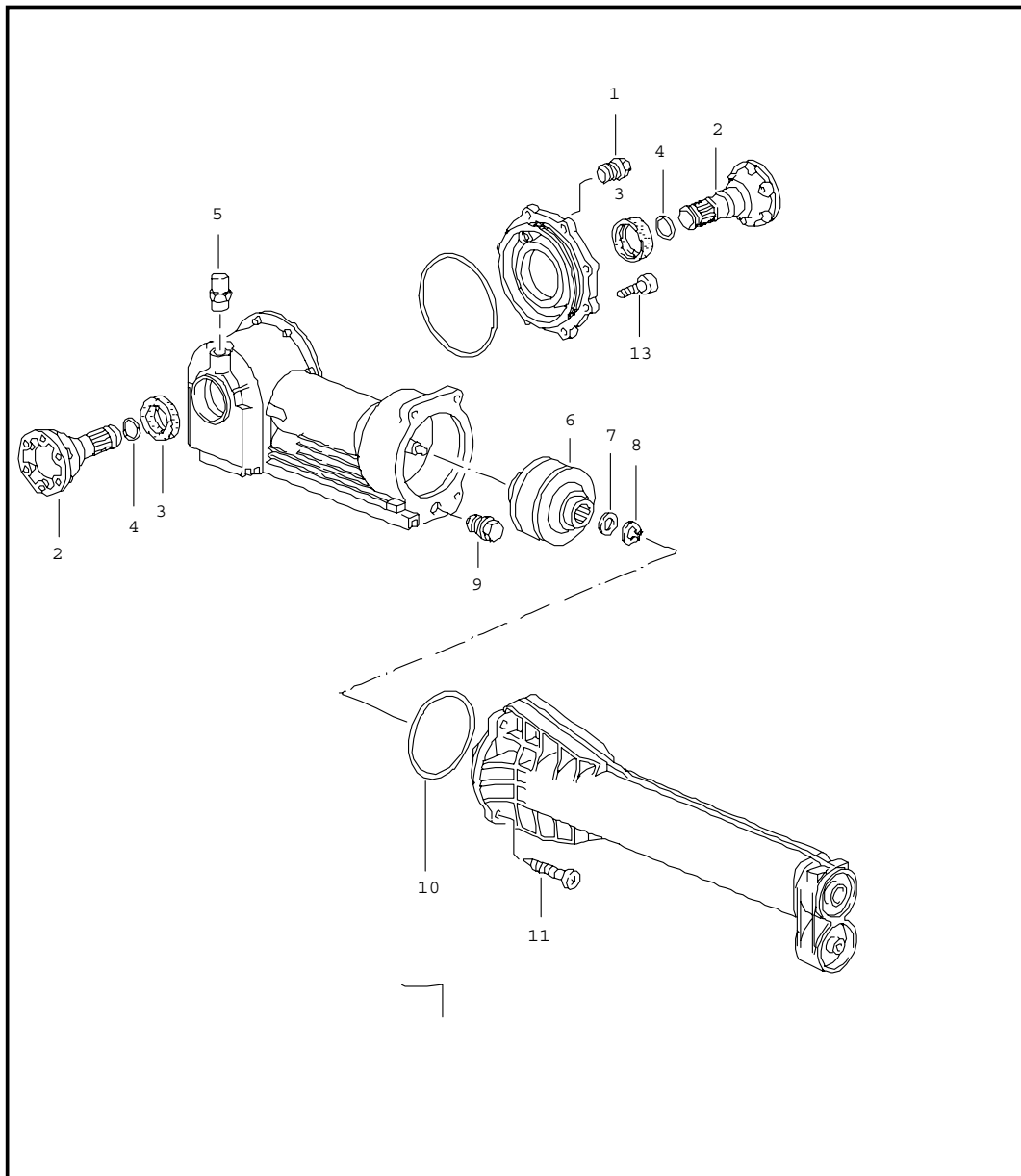
| Pos | Part Number    | Name                                    | Remarks | Qty | Model  |
|-----|----------------|---|---------|-----|--------|
|     |                | limited-slip differential               | -99     |     | G96.00 |
| 1   | 950 332 209 01 | joint flange                            |         | 2   |        |
| 2   | N 010 472 4    | hexagon-head bolt<br>M 10 X 85          |         | 2   |        |
| 3   | 999 113 347 40 | shaft seal<br>48 X 68 X 10              |         | 2   |        |
| 4   | 996 332 276 00 | hexagon-head bolt<br>M 12 X 1,25 X 22,5 |         | 12  |        |
|     |                | - - - E N D - - -                       |         |     |        |

|       |      |    |    |              |              |        |       |            |         |     |         |
|-------|------|----|----|--------------|--------------|--------|-------|------------|---------|-----|---------|
| Model | Year | MG | SG | Illustration | Restrictions | Update | 11:20 | 25.11.2005 | PORSCHE | PET | PORSCHE |
| 996   | 05   | 3  | 05 | 305-10       |              | 194    |       |            |         |     |         |



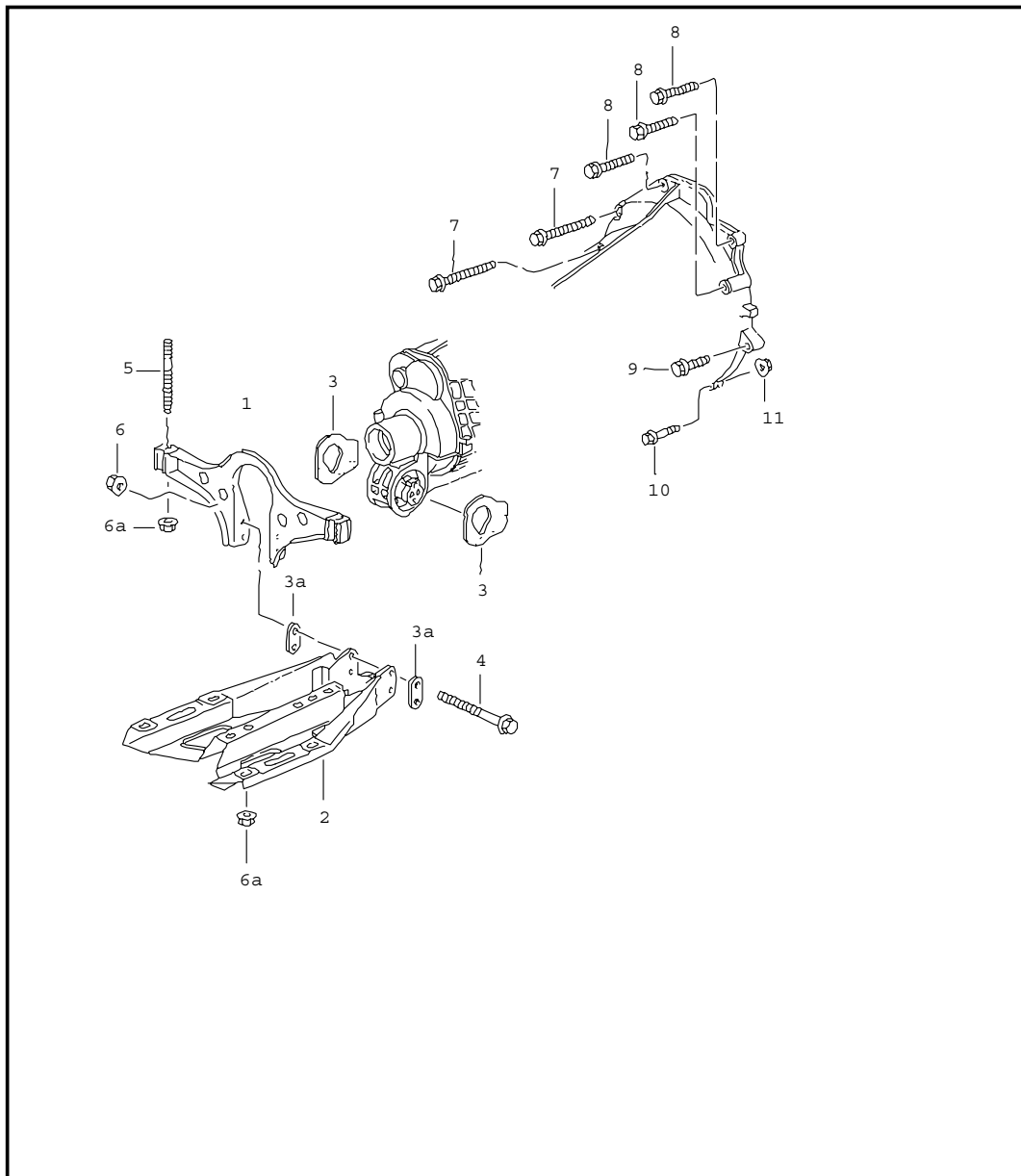
| Pos | Part Number    | Name  | Remarks | Qty | Model  |
|-----|----------------|---|---------|-----|--------|
|     |                | front-axle final drive                        | 99-     |     | Z96.00 |
|     |                | cardan shaft                                  |         |     | M 339  |
| 1   | 996 349 010 02 | front-axle final drive ready for installation |         | 1   |        |
| 2   | 999 072 034 09 | conical screw M 10 X 28                       |         | 2   |        |
| 3   | 996 375 034 00 | transmission carrier front                    |         | 1   |        |
| 4   | 996 375 257 01 | stop  |         | 2   |        |
| 5   | 900 380 008 09 | hexagon nut M 10                              |         | 1   |        |
| 6   | 996 375 343 03 | transmission carrier rear                     |         | 1   |        |
| 7   | 900 378 142 09 | hexagon-head bolt M 10 X 90                   |         | 1   |        |
| 8   | 996 421 020 01 | cardan shaft                                  | -01     | 1   |        |
| 8   | 996 421 020 50 | cardan shaft                                  | 02-     | 1   |        |
| 9   | 996 421 145 01 | boot  |         | 1   |        |
| --  | 996 375 054 02 | transmission mounting rear                    |         | 1   |        |
| --  | 999 061 105 09 | stud M 10 X 90                                |         | 2   |        |
| --  | 900 380 008 09 | hexagon nut M 10                              |         | 2   |        |
|     |                | mount front-axle final drive cross member     |         |     |        |
|     |                | - - - E N D - - -                             |         |     |        |

|       |      |    |    |              |              |        |       |            |         |     |         |
|-------|------|----|----|--------------|--------------|--------|-------|------------|---------|-----|---------|
| Model | Year | MG | SG | Illustration | Restrictions | Update | 11:20 | 25.11.2005 | PORSCHE | PET | PORSCHE |
| 996   | 05   | 3  | 05 | 305-15       |              | 194    |       |            |         |     |         |



| Pos | Part Number    | Name                            | Remarks | Qty | Model           |
|-----|----------------|---------------------------------|---------|-----|-----------------|
|     |                | front-axle final drive          | 99-     |     | Z96.00<br>M 339 |
|     |                | viscous clutch<br>single parts  |         |     |                 |
| 1   | N 016 161 1    | screw plug<br>M 18 X 1,5        |         | 1   |                 |
| 2   | 996 332 309 00 | joint flange                    |         | 2   |                 |
| 3   | 999 113 454 40 | shaft seal<br>40 X 60 X 9       |         | 2   |                 |
| 4   | 996 332 311 00 | snap ring<br>2,5 X 20           |         | 2   |                 |
| 5   | 996 301 071 00 | bleeder<br>17 X 12              |         | 1   |                 |
| 6   | 996 339 021 02 | viscous clutch                  |         | 1   |                 |
| 7   | 900 234 174 00 | support washer<br>20 X 28 X 2,0 |         | 1   |                 |
| 8   | 999 041 021 01 | circlip<br>20 X 1,2             |         | 1   |                 |
| 9   | 900 124 025 02 | screw plug<br>M 18 X 1,5 PM     |         | 1   |                 |
| 10  | 999 707 455 40 | o-ring<br>123 X 3               |         | 1   |                 |
| 11  | N 903 660 01   | torx screw<br>M 8 X 36          |         | 4   |                 |
| 13  | N 903 660 01   | torx screw<br>M 8 X 36          |         | 8   |                 |
|     |                | - - - E N D - - -               |         |     |                 |

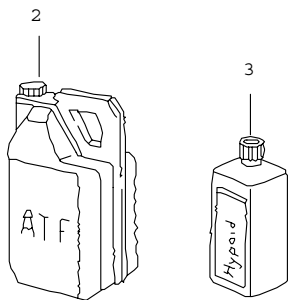
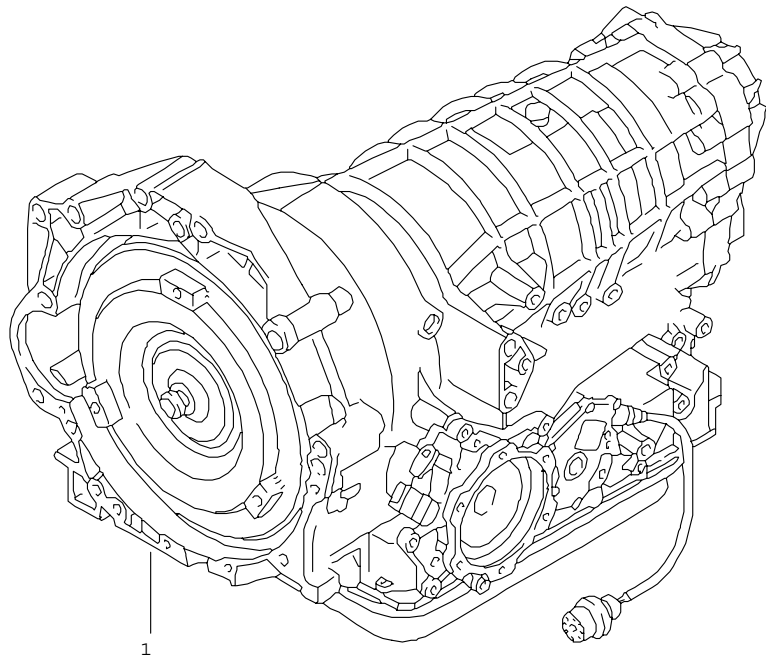
|       |      |    |    |              |              |        |       |            |         |     |         |
|-------|------|----|----|--------------|--------------|--------|-------|------------|---------|-----|---------|
| Model | Year | MG | SG | Illustration | Restrictions | Update | 11:21 | 25.11.2005 | PORSCHE | PET | PORSCHE |
| 996   | 05   | 3  | 06 | 306-00       |              | 194    |       |            |         |     |         |



| Pos               | Part Number    | Name  | Remarks | Qty | Model  |
|-------------------|----------------|---|---------|-----|--------|
|                   |                | manual transmission                           | -01     |     | G96.00 |
|                   |                |   | 99-01   |     | M 338  |
|                   |                |   | 02-     |     | G96.30 |
|                   |                |   | 02-     |     | M 339  |
|                   |                | transmission suspension threaded joint engine |         |     | G96.01 |
|                   |                |   |         |     | M 338  |
|                   |                |   |         |     | G96.31 |
|                   |                |   |         |     | M 339  |
| 1                 | 996 375 039 02 | transmission carrier                          | -00     | 1   |        |
| (1)               | 996 375 039 03 | transmission carrier                          | 01-     | 1   |        |
| 2                 | 996 375 031 07 | transmission carrier                          |         | 1   | -01    |
| 2                 | 996 375 031 08 | transmission carrier                          |         | 1   | 02-    |
| 3                 | 996 375 255 04 | stop  |         | 2   | -02    |
| 3                 | 996 375 255 05 | stop  |         | 2   | 02-    |
| 3A                | 996 375 333 00 | packing plate                                 |         | 2   |        |
| 4                 | 900 378 167 09 | hexagon-head bolt<br>M 10 X 110               |         | 2   |        |
| 5                 | 999 061 106 09 | stud<br>M 10 X 83                             |         | 2   |        |
| 6                 | 900 380 008 09 | hexagon nut<br>M 10                           |         | 2   |        |
| (6A)              | 999 076 053 09 | hexagon nut<br>M 10                           |         | 6   |        |
| 7                 | 999 072 010 09 | hexagon-head bolt<br>M 12 X 1,5 X 100         |         | 2   |        |
| 8                 | 999 072 008 09 | hexagon-head bolt<br>M 12 X 1,5 X 70          |         | 3   |        |
| 9                 | 900 378 061 09 | hexagon-head bolt<br>M 12 X 1,5 X 50          |         | 1   |        |
| 10                | 900 378 076 09 | hexagon-head bolt<br>M 10 X 50                |         | 1   |        |
| 11                | 900 377 011 09 | hexagon nut<br>M 10                           |         | 1   |        |
| - - - E N D - - - |                |   |         |     |        |

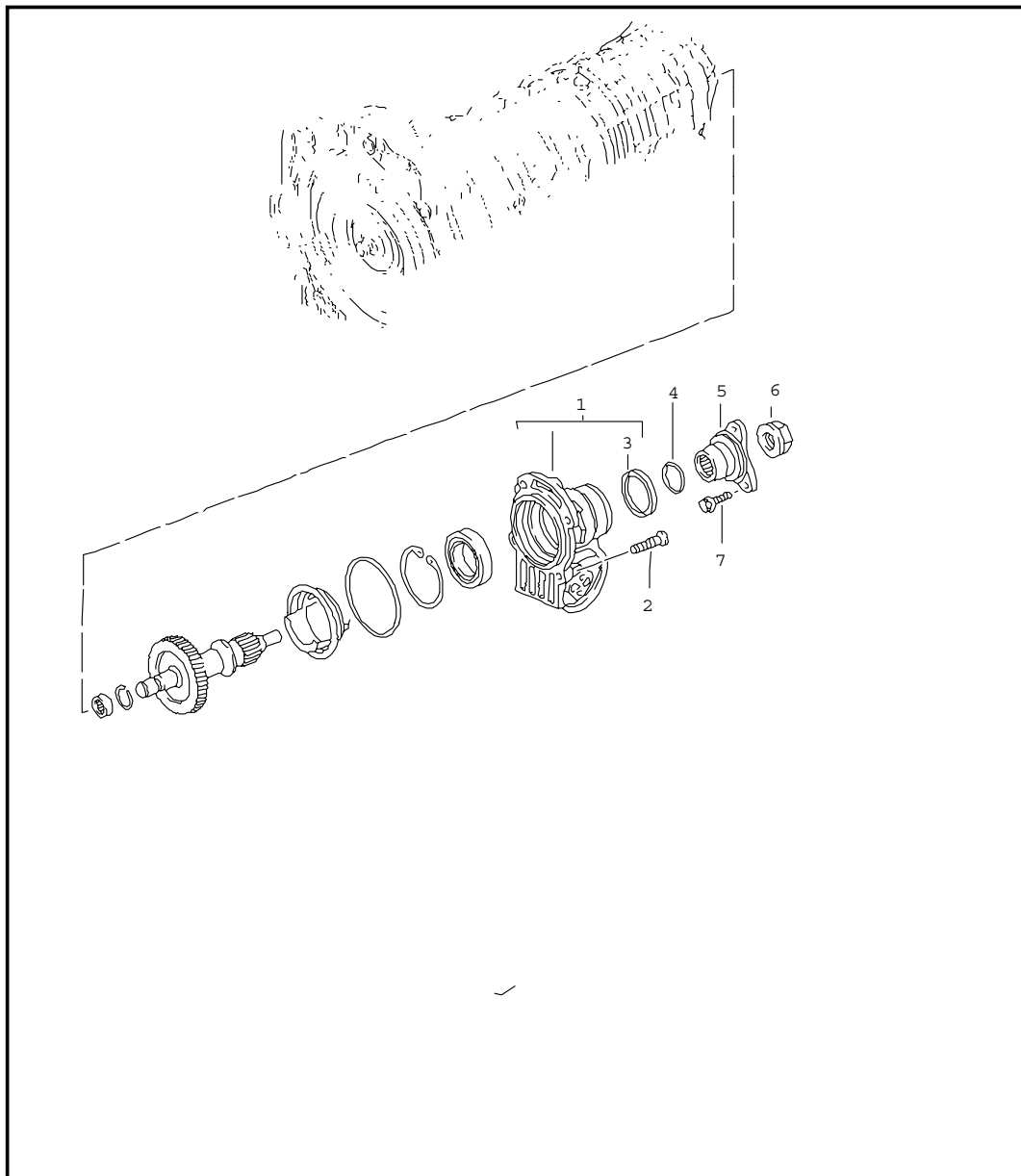


|       |      |    |    |              |              |        |       |            |         |     |         |
|-------|------|----|----|--------------|--------------|--------|-------|------------|---------|-----|---------|
| Model | Year | MG | SG | Illustration | Restrictions | Update | 11:21 | 25.11.2005 | PORSCHE | PET | PORSCHE |
| 996   | 05   | 3  | 20 | 320-00       |              | 194    |       |            |         |     |         |



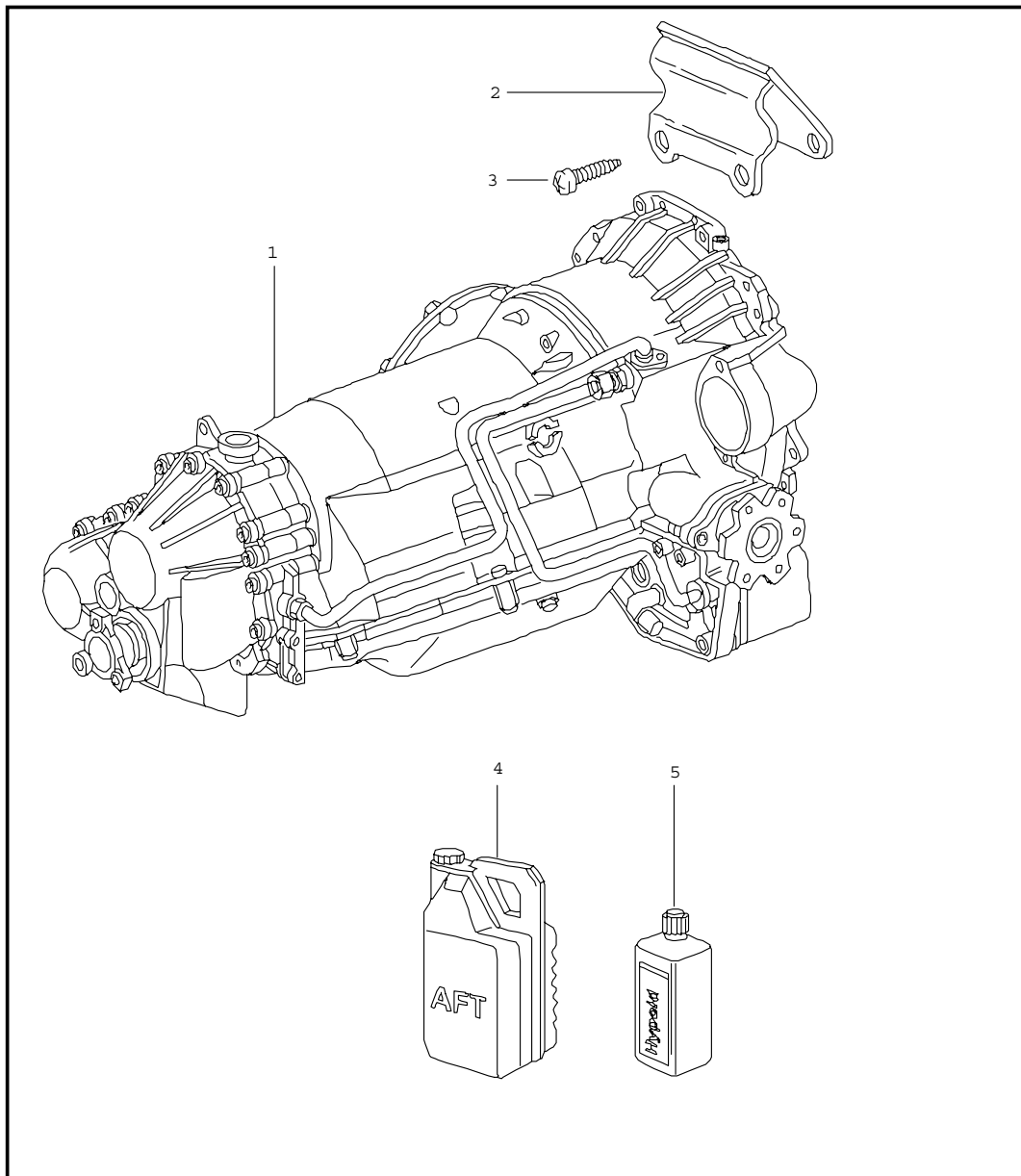
| Pos               | Part Number      | Name  | Remarks | Qty | Model  |
|-------------------|------------------|---|---------|-----|--------|
|                   |                  | tiptronic   | -01     |     | A96.00 |
|                   |                  |   | 99-01   |     | M 338  |
|                   |                  | replacement transmission<br>not<br>ready for installation |         |     | A96.30 |
|                   |                  |   |         |     | M 339  |
| 1                 | A 996 300 911 00 | transmission  | 98      | 1   | M 338  |
| (1)               | A 996 300 011 00 | transmission  | 98      | 1   | M 338  |
| (1)               | 996 300 011 02   | transmission  | 99-00   | 1   | M 338  |
| (1)               | 996 300 011 03   | transmission<br>F >>99XS6 00762<br>F >>99XS6 40394        | 01      | 1   | M 338  |
|                   |                  | use also:<br>control unit<br>996.618.114.02               |         |     |        |
| (1)               | 996 300 011 30   | transmission  | 99-01   | 1   | M 339  |
| 2                 | 000 043 205 09   | transmission oil<br>ATF<br>20 LTR.<br>container           |         | X   |        |
| 3                 | 999 917 546 00   | transmission oil<br>75 W 90<br>1 LTR.<br>container        |         | X   |        |
| - - - E N D - - - |                  |   |         |     |        |

|       |      |    |    |              |              |        |       |            |         |     |         |
|-------|------|----|----|--------------|--------------|--------|-------|------------|---------|-----|---------|
| Model | Year | MG | SG | Illustration | Restrictions | Update | 11:21 | 25.11.2005 | PORSCHE | PET | PORSCHE |
| 996   | 05   | 3  | 20 | 320-01       |              | 194    |       |            |         |     |         |



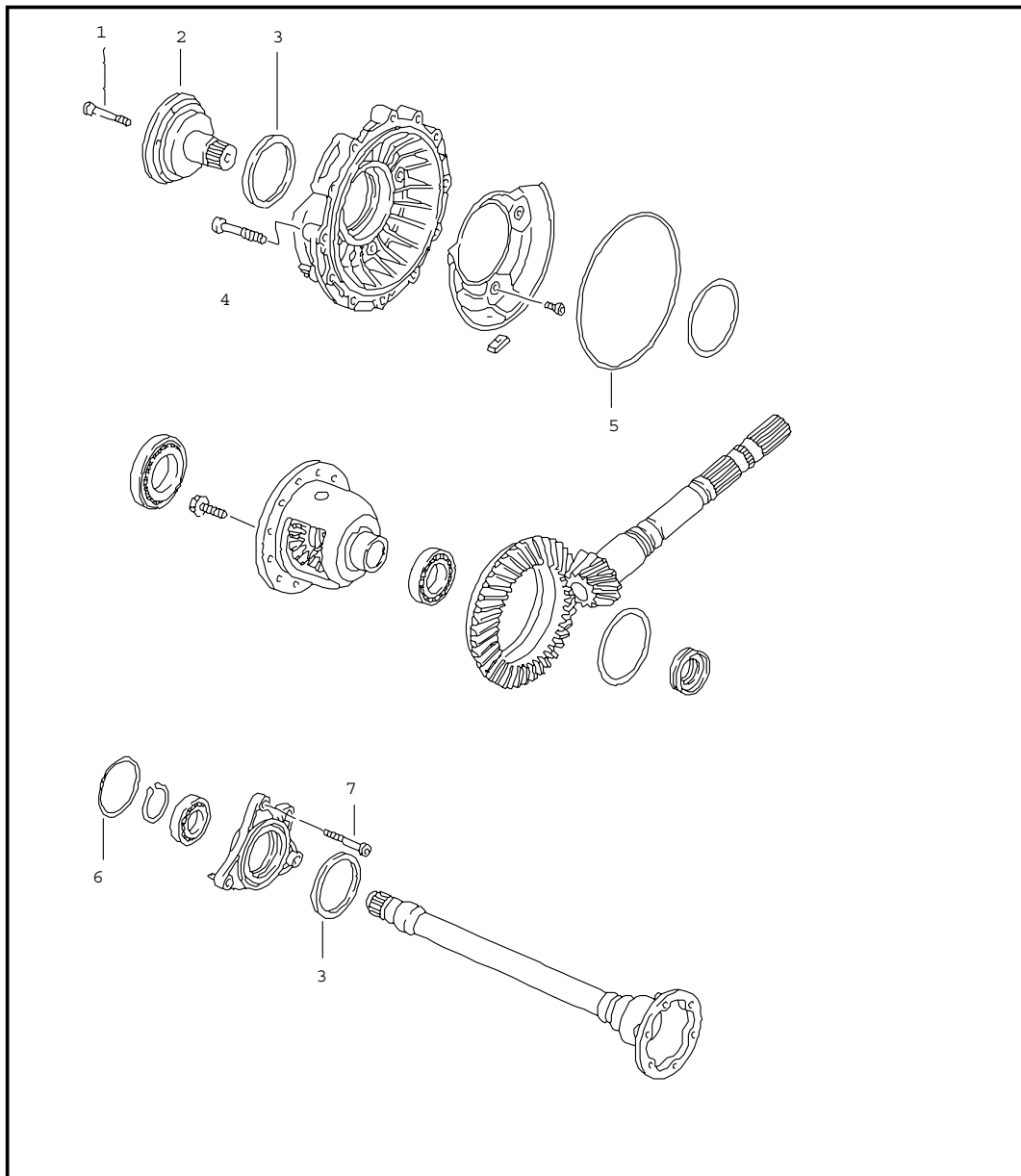
| Pos | Part Number    | Name  | Remarks | Qty | Model           |
|-----|----------------|---|---------|-----|-----------------|
|     |                | tiptronic<br>all-wheel<br>driving mechanism | 99-01   |     | A96.30<br>M 339 |
| 1   | 996 321 056 00 | transmission bracket                        |         | 1   |                 |
| 2   | 996 397 011 00 | torx screw<br>M 10 X 35                     |         | 4   |                 |
| 3   | 996 397 012 00 | shaft seal                                  |         | 1   |                 |
| 4   | 996 397 013 00 | round seal                                  |         | 1   |                 |
| 5   | 996 302 301 30 | flange                                      |         | 1   |                 |
| 6   | 944 332 293 00 | collar nut<br>M 20 X 1,5                    |         | 1   |                 |
| 7   | 900 378 101 09 | hexagon-head bolt<br>M 10 X 35              |         | 3   |                 |
|     |                | - - - E N D - - -                           |         |     |                 |

|       |      |    |    |              |              |        |       |            |         |     |         |
|-------|------|----|----|--------------|--------------|--------|-------|------------|---------|-----|---------|
| Model | Year | MG | SG | Illustration | Restrictions | Update | 11:21 | 25.11.2005 | PORSCHE | PET | PORSCHE |
| 996   | 05   | 3  | 20 | 320-02       |              | 194    |       |            |         |     |         |



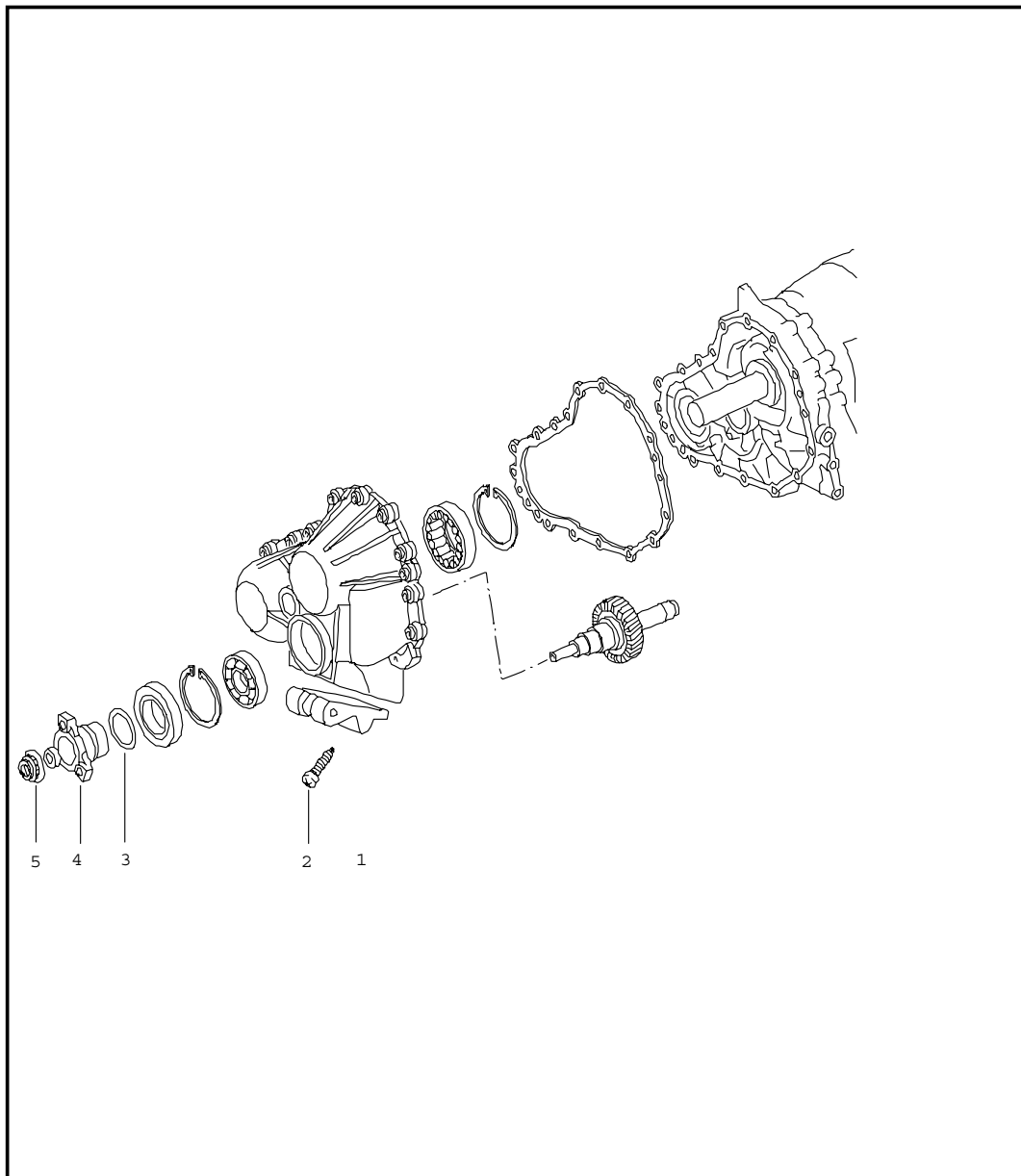
| Pos | Part Number    | Name   | Remarks | Qty | Model                    |
|-----|----------------|--|---------|-----|--------------------------|
|     |                | tiptronic  | 02-     |     | A96.10                   |
|     |                | replacement transmission                           | 02-     |     | M 338<br>A96.35<br>M 339 |
| 1   | 722 270 050 0  | transmission                                       |         | 1   | A96.10                   |
| (1) | 722 270 060 0  | transmission                                       |         | 1   | A96.35                   |
| 2   | 996 449 101 50 | hook   |         | 1   |                          |
| 3   | 999 073 190 09 | oval-head screw<br>M 8 X 60                        |         | 2   |                          |
| 4   | 000 043 204 41 | transmission oil<br>ATF<br>20 LTR.<br>container    |         | X   |                          |
| 5   | 999 917 546 00 | transmission oil<br>75 W 90<br>1 LTR.<br>container |         | X   |                          |
| -   | 996 116 101 10 | intermediate housing                               |         | 1   |                          |
|     |                | - - - E N D - - -                                  |         |     |                          |

|       |      |    |    |              |              |        |       |            |         |     |         |
|-------|------|----|----|--------------|--------------|--------|-------|------------|---------|-----|---------|
| Model | Year | MG | SG | Illustration | Restrictions | Update | 11:21 | 25.11.2005 | PORSCHE | PET | PORSCHE |
| 996   | 05   | 3  | 20 | 320-03       |              | 194    |       |            |         |     |         |



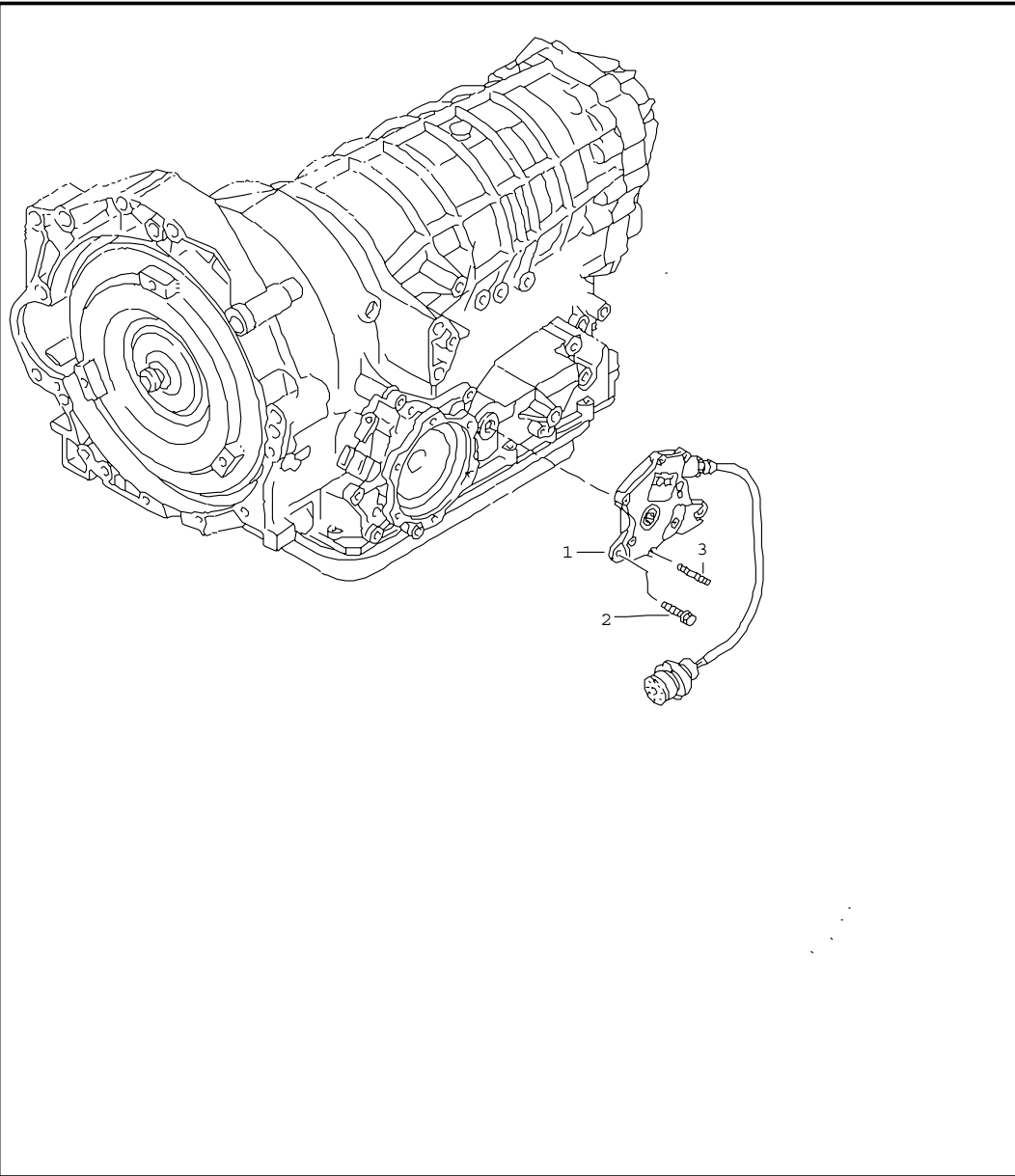
| Pos | Part Number    | Name                        | Remarks | Qty | Model                    |
|-----|----------------|-----------------------------|---------|-----|--------------------------|
|     |                | tiptronic                   | -01     |     | A96.00                   |
|     |                | differential housing        | 99-01   |     | M 338<br>A96.30<br>M 339 |
| 1   | 944 332 587 00 | elastic bolt<br>M 8         |         | 1   |                          |
| 2   | 996 332 202 00 | drive flange                |         | 1   |                          |
| 3   | 996 397 004 00 | shaft seal<br>for<br>cover  |         | 1   |                          |
| (3) | 996 397 015 00 | shaft seal<br>for<br>flange |         | 1   |                          |
| 4   | 986 397 029 00 | pan-head screw<br>M 8 X 45  |         | 12  |                          |
| 5   | 996 397 005 00 | round seal                  |         | 1   |                          |
| 6   | 986 397 034 00 | round seal                  |         | 1   |                          |
| 7   | 996 397 007 00 | pan-head screw<br>M 8 X 30  |         | 3   |                          |
|     |                | - - - E N D - - -           |         |     |                          |

|       |      |    |    |              |              |        |       |            |         |     |         |
|-------|------|----|----|--------------|--------------|--------|-------|------------|---------|-----|---------|
| Model | Year | MG | SG | Illustration | Restrictions | Update | 11:22 | 25.11.2005 | PORSCHE | PET | PORSCHE |
| 996   | 05   | 3  | 20 | 320-04       |              | 194    |       |            |         |     |         |



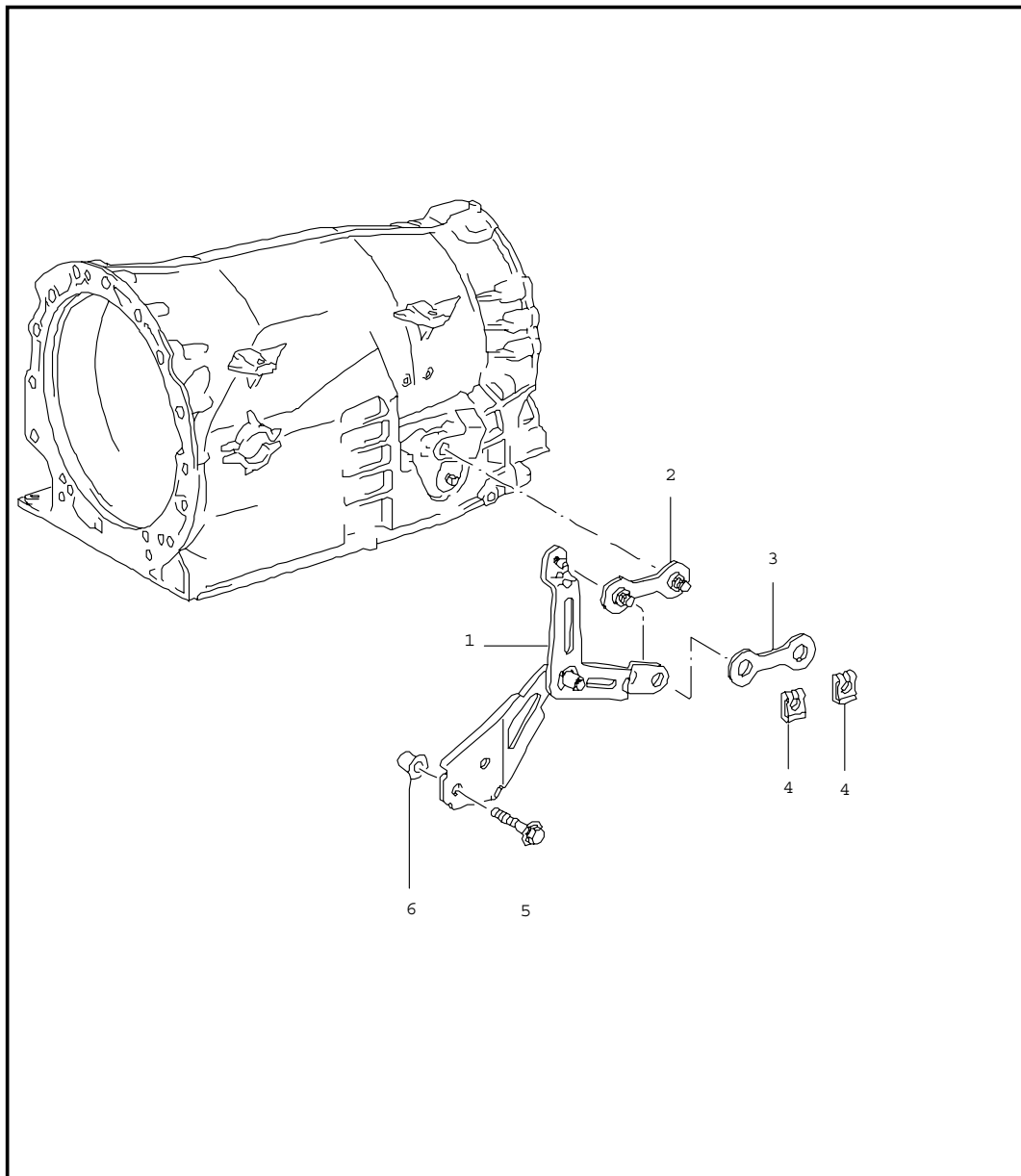
| Pos               | Part Number    | Name  | Remarks | Qty | Model           |
|-------------------|----------------|---|---------|-----|-----------------|
|                   |                | tiptronic<br>all-wheel<br>driving mechanism | 02-     |     | A96.35<br>M 339 |
| 1                 | 722 260 006 2  | bearing                                     |         | 1   |                 |
| 2                 | 999 073 178 09 | oval-head screw<br>M 8 X 30                 |         | 4   |                 |
| 3                 | 168 997 004 5  | o-ring<br>28 X 3                            |         | 1   |                 |
| 4                 | 722 270 022 0  | flange                                      |         | 1   |                 |
| 5                 | 140 990 115 0  | collar nut<br>M 26 X 1,5                    |         | 1   |                 |
| - P               | 022 997 944 7  | shaft seal                                  |         | 1   |                 |
| - - - E N D - - - |                |   |         |     |                 |

|       |      |    |    |              |              |        |       |            |         |     |         |
|-------|------|----|----|--------------|--------------|--------|-------|------------|---------|-----|---------|
| Model | Year | MG | SG | Illustration | Restrictions | Update | 11:22 | 25.11.2005 | PORSCHE | PET | PORSCHE |
| 996   | 05   | 3  | 20 | 320-05       |              | 194    |       |            |         |     |         |



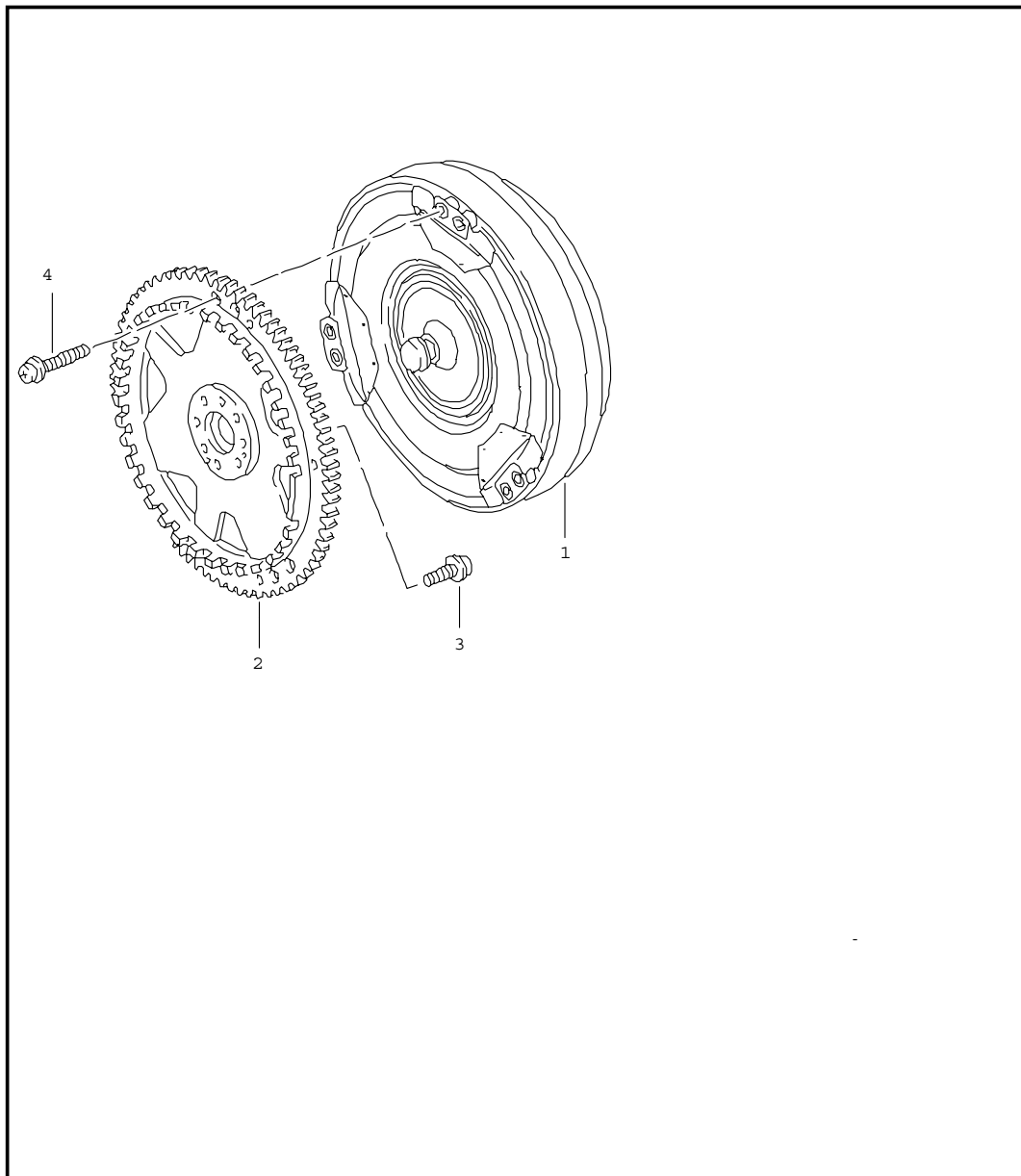
| Pos | Part Number    | Name                       | Remarks | Qty | Model  |
|-----|----------------|----------------------------|---------|-----|--------|
|     |                | tiptronic                  | -01     |     | A96.00 |
|     |                | selector switch            | 99-01   |     | M 338  |
|     |                | switch                     |         |     | A96.30 |
| 1   | 986 325 612 00 | switch                     |         | 1   | M 339  |
| 2   | 986 397 025 00 | pan-head screw<br>M 6 X 15 |         | 2   |        |
| 3   | 986 397 024 00 | straight pin<br>M 6 X 14   |         | 1   |        |
| 4   | 996 397 008 00 | shaft seal                 |         | 1   |        |
| 5   | 986 397 037 00 | tensioning sleeve          |         | 1   |        |
| 6   | 996 426 901 00 | gearshift lever            |         | 1   |        |
|     |                | - - - E N D - - -          |         |     |        |

|       |      |    |    |              |              |        |       |            |         |     |         |
|-------|------|----|----|--------------|--------------|--------|-------|------------|---------|-----|---------|
| Model | Year | MG | SG | Illustration | Restrictions | Update | 11:22 | 25.11.2005 | PORSCHE | PET | PORSCHE |
| 996   | 05   | 3  | 20 | 320-06       |              | 194    |       |            |         |     |         |



| Pos | Part Number    | Name              | Remarks | Qty | Model  |
|-----|----------------|-------------------|---------|-----|--------|
|     |                | tiptronic         | 02-     |     | A96.10 |
|     |                |                   | 02-     |     | M 338  |
|     |                | selector lever    |         |     | A96.35 |
|     |                |                   |         |     | M 339  |
| 1   | 722 270 011 0  | selector lever    |         | 1   |        |
| 2   | 722 270 025 9  | lever             |         | 2   |        |
| 3   | 722 278 032 0  | lever             |         | 1   |        |
| 4   | 999 166 079 02 | lock washer       |         | 2   |        |
| 5   | ---            | screw             |         | 2   |        |
| 6   | 722 992 002 0  | sleeve            |         | 1   |        |
|     |                | - - - E N D - - - |         |     |        |

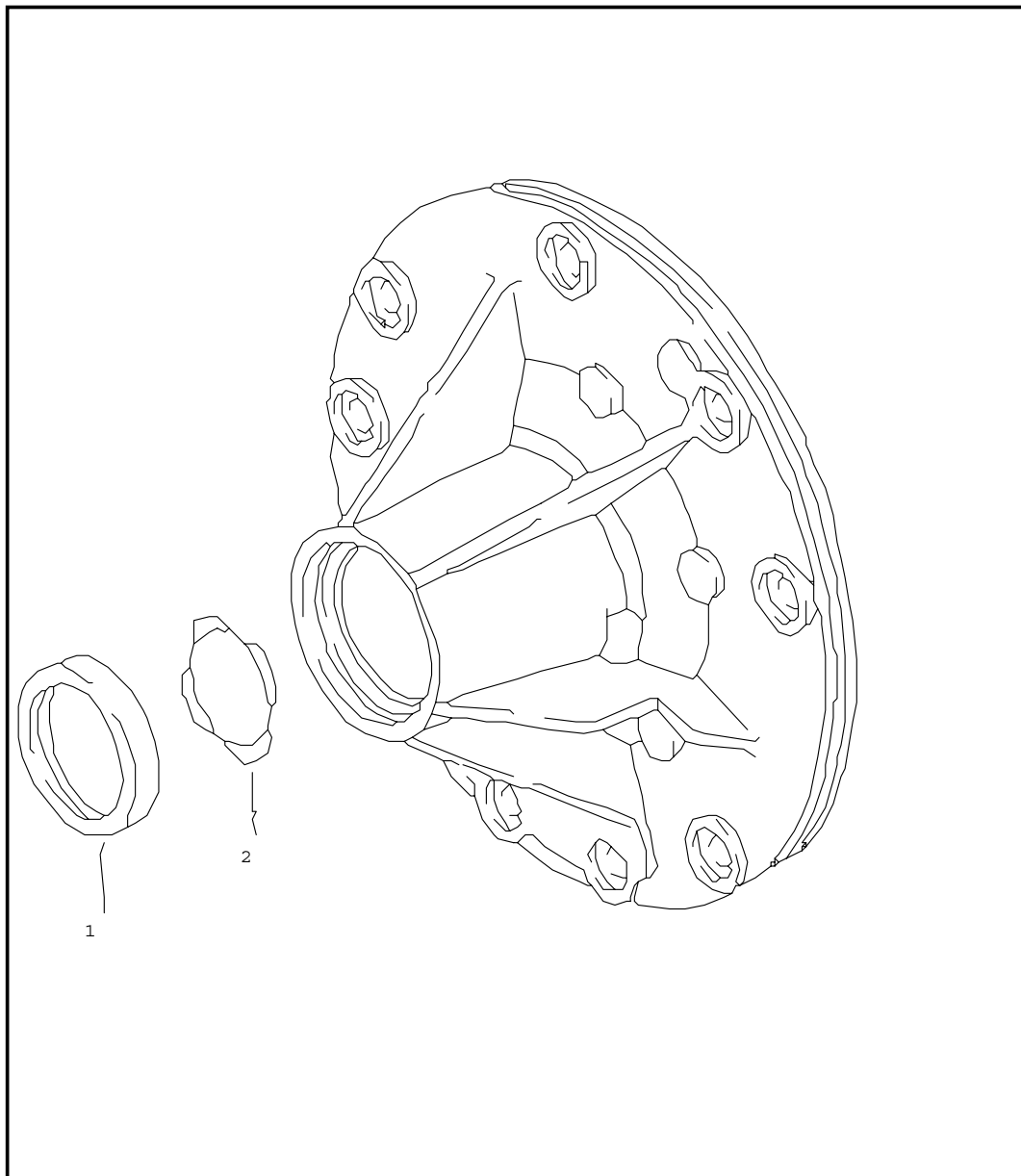
|       |      |    |    |              |              |        |       |            |         |     |         |
|-------|------|----|----|--------------|--------------|--------|-------|------------|---------|-----|---------|
| Model | Year | MG | SG | Illustration | Restrictions | Update | 11:22 | 25.11.2005 | PORSCHE | PET | PORSCHE |
| 996   | 05   | 3  | 30 | 330-00       |              | 194    |       |            |         |     |         |



| Pos | Part Number    | Name                            | Remarks | Qty | Model  |
|-----|----------------|---------------------------------|---------|-----|--------|
|     |                | tiptronic                       | -01     |     | A96.00 |
|     |                | torque converter drive plate    | 99-01   |     | M 338  |
|     |                | torque converter                |         | 1   | A96.30 |
|     |                | drive plate                     |         | 1   | M 339  |
| 1   | 996 316 001 00 | torque converter                |         | 1   |        |
| 2   | 996 116 075 07 | drive plate                     |         | 1   |        |
| 3   | 999 073 091 09 | pan-head screw<br>M 10 X 1 X 25 |         | 8   |        |
| 4   | 900 067 369 09 | pan-head screw<br>M 8 X 20      |         | 6   |        |
|     |                | - - - E N D - - -               |         |     |        |

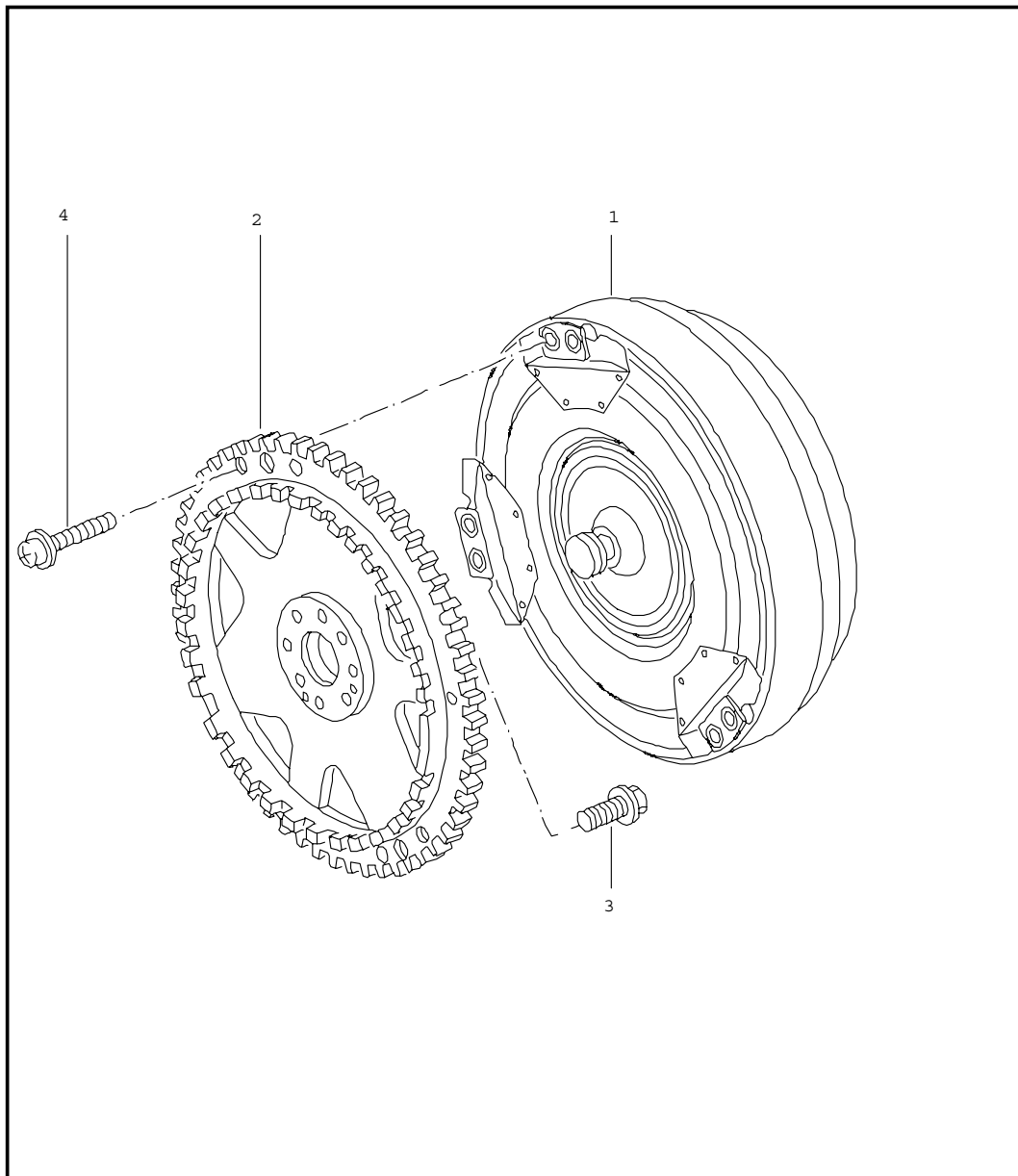


|       |      |    |    |              |              |        |       |            |         |     |         |
|-------|------|----|----|--------------|--------------|--------|-------|------------|---------|-----|---------|
| Model | Year | MG | SG | Illustration | Restrictions | Update | 11:22 | 25.11.2005 | PORSCHE | PET | PORSCHE |
| 996   | 05   | 3  | 30 | 330-01       |              | 194    |       |            |         |     |         |



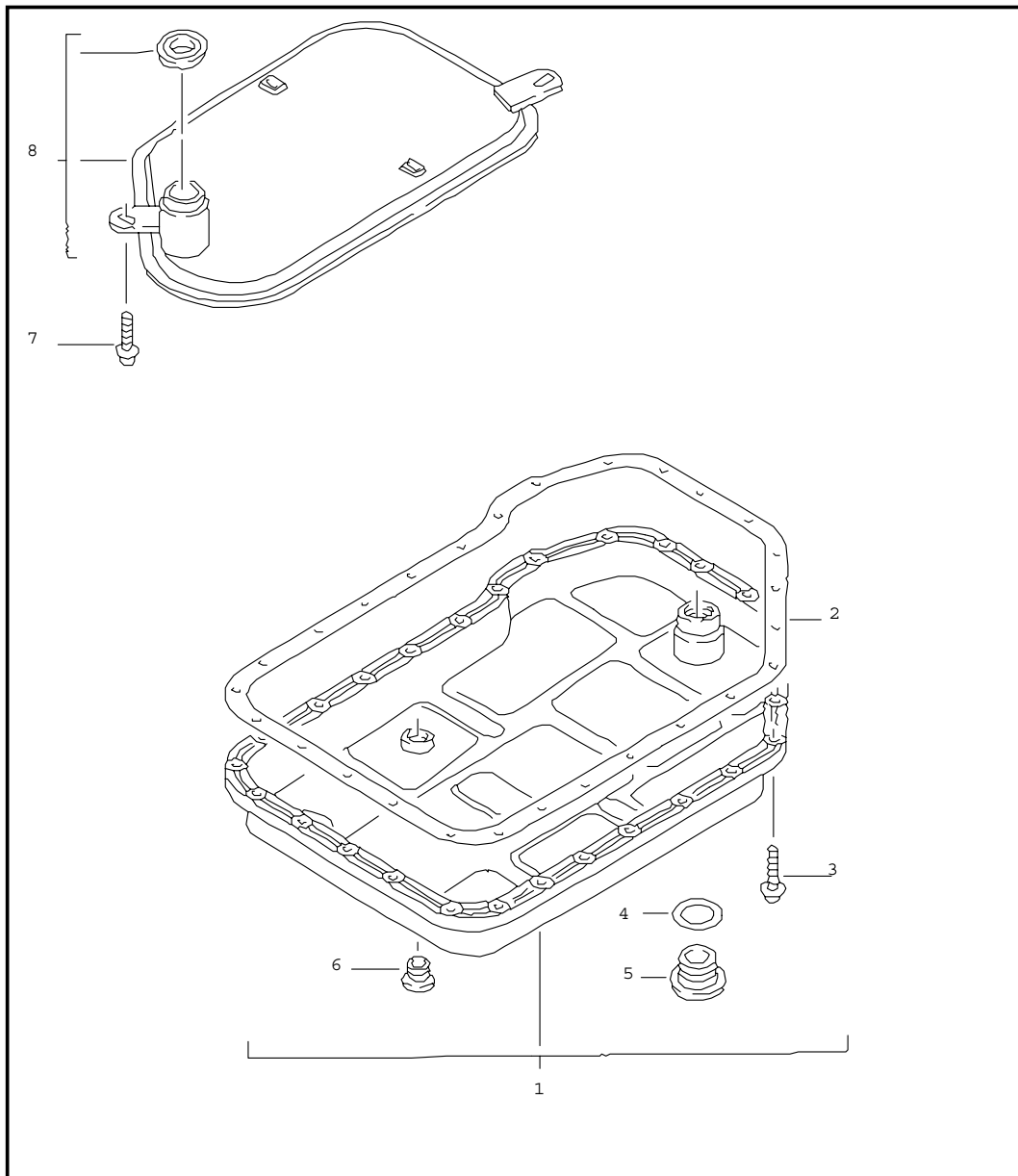
| Pos               | Part Number    | Name       | Remarks | Qty | Model  |
|-------------------|----------------|------------|---------|-----|--------|
|                   |                | tiptronic  | -01     |     | A96.00 |
|                   |                | oil pump   | 99-01   |     | M 338  |
| 1                 | 996 397 010 00 | shaft seal |         | 1   | A96.30 |
| 2                 | 986 397 012 00 | washer     |         | 1   | M 339  |
| - - - E N D - - - |                |            |         |     |        |

|       |      |    |    |              |              |        |       |            |         |     |         |
|-------|------|----|----|--------------|--------------|--------|-------|------------|---------|-----|---------|
| Model | Year | MG | SG | Illustration | Restrictions | Update | 11:22 | 25.11.2005 | PORSCHE | PET | PORSCHE |
| 996   | 05   | 3  | 30 | 330-02       |              | 194    |       |            |         |     |         |



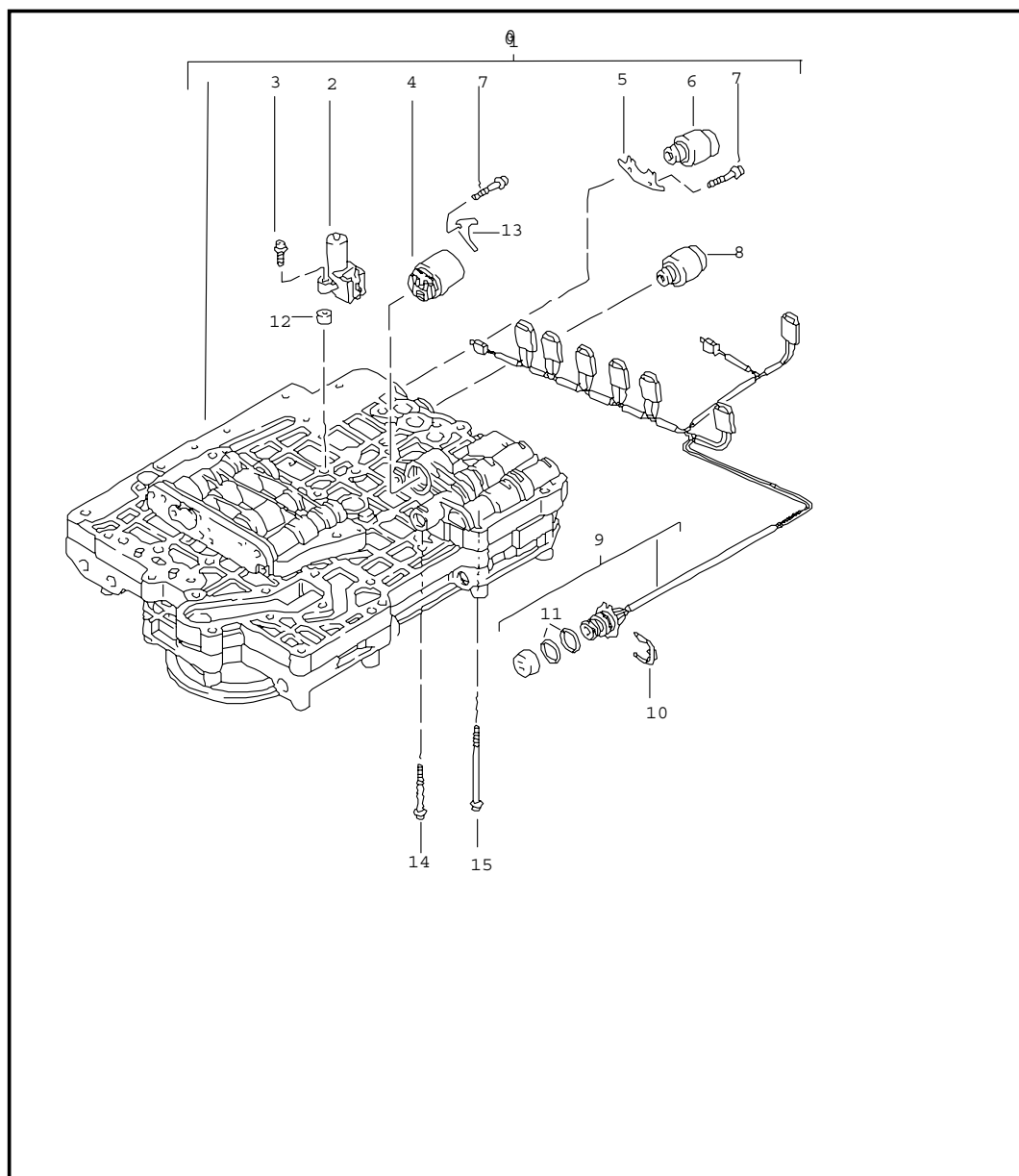
| Pos | Part Number    | Name                            | Remarks | Qty | Model  |
|-----|----------------|---------------------------------|---------|-----|--------|
|     |                | tiptronic                       | 02-     |     | A96.10 |
|     |                | torque converter drive plate    | 02-     |     | M 338  |
|     |                | torque converter                |         |     | A96.35 |
|     |                | drive plate                     |         |     | M 339  |
| 1   | 722 250 120 2  | torque converter                |         | 1   |        |
| 2   | 996 116 075 16 | drive plate                     |         | 1   |        |
| 3   | 999 073 091 09 | pan-head screw<br>M 10 X 1 X 25 |         | 8   |        |
| 4   | 900 067 369 09 | pan-head screw<br>M 8 X 20      |         | 6   |        |
| -   | 018 997 044 7  | sealing ring<br>for<br>oil pump |         | 1   |        |
|     |                | - - - E N D - - -               |         |     |        |

|       |      |    |    |              |              |        |       |            |         |     |         |
|-------|------|----|----|--------------|--------------|--------|-------|------------|---------|-----|---------|
| Model | Year | MG | SG | Illustration | Restrictions | Update | 11:23 | 25.11.2005 | PORSCHE | PET | PORSCHE |
| 996   | 05   | 3  | 40 | 340-01       |              | 194    |       |            |         |     |         |



| Pos               | Part Number    | Name                       | Remarks | Qty | Model  |
|-------------------|----------------|----------------------------|---------|-----|--------|
|                   |                | tiptronic                  | -01     |     | A96.00 |
|                   |                | oil filter                 | 99-01   |     | M 338  |
|                   |                | oil pan                    |         |     | A96.30 |
|                   |                |                            |         |     | M 339  |
| 1                 | 986 321 025 02 | oil pan                    |         | 1   |        |
| 2                 | 986 397 016 00 | gasket                     |         | 1   |        |
| 3                 | 943 397 039 00 | pan-head screw<br>M 6 X 20 |         | 27  |        |
| 4                 | 986 397 014 00 | round seal                 |         | 1   |        |
| 5                 | 986 397 015 00 | screw plug<br>M 30 X 1,5   |         | 1   |        |
| 6                 | 986 397 013 00 | screw plug<br>M 16 X 1,5   |         | 1   |        |
| 7                 | 943 397 045 00 | pan-head screw<br>M 5 X 12 |         | 2   |        |
| 8                 | 996 307 403 00 | filter                     |         | 1   |        |
| - - - E N D - - - |                |                            |         |     |        |

|       |      |    |    |              |              |        |       |            |         |     |         |
|-------|------|----|----|--------------|--------------|--------|-------|------------|---------|-----|---------|
| Model | Year | MG | SG | Illustration | Restrictions | Update | 11:23 | 25.11.2005 | PORSCHE | PET | PORSCHE |
| 996   | 05   | 3  | 40 | 340-02       |              | 194    |       |            |         |     |         |

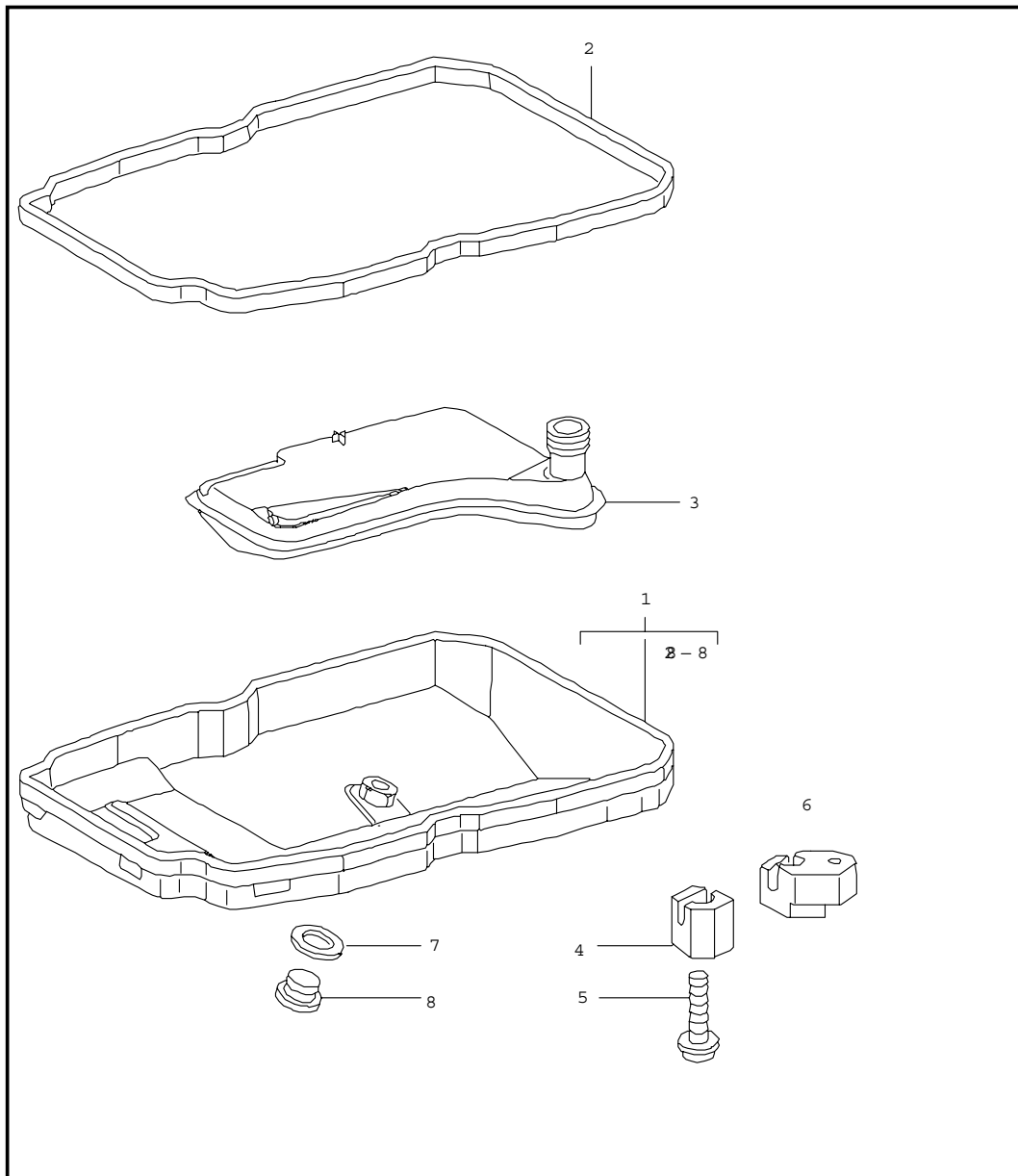


| Pos | Part Number    | Name  | Remarks | Qty | Model  |
|-----|----------------|---|---------|-----|--------|
|     |                | tiptronic   | -01     |     | A96.00 |
|     |                | switch unit   | 99-01   |     | M 338  |
|     |                | solenoid valve  |         |     | A96.30 |
|     |                | pressure regulator  |         |     | M 339  |
| 1   | 996 325 617 00 | switch unit<br>type label<br>transmission case<br>attention<br>1060 050 002<br>>> 4966        |         | 1   |        |
| (1) | 996 325 617 02 | switch unit<br>type label<br>transmission case<br>attention<br>1060 050 003<br><< 4967        |         | 1   |        |
| 2   | 986 325 608 00 | inductive transmitter   |         | 1   |        |
| 3   | 986 397 019 00 | pan-head screw<br>M 5 X 40  |         | 2   |        |
| 4   | 986 325 604 00 | pressure regulator<br>type label<br>transmission case<br>attention<br>1060 050 002<br>>> 4966 |         | 1   |        |
| 4   | 986 325 604 01 | pressure regulator<br>type label<br>transmission case<br>attention<br>1060 050 003<br><< 4967 |         | 1   |        |
| 5   | 986 325 615 00 | retaining bracket   |         | 2   |        |
| 6   | 996 325 601 00 | solenoid valve  |         | 3   |        |
| 7   | 943 397 045 00 | pan-head screw<br>M 5 X 12  |         | 5   |        |
| 8   | 986 325 603 00 | pressure regulator  |         | 3   |        |
| 9   | 996 325 611 00 | wiring harness  |         | 1   |        |
| 10  | 986 397 018 00 | clamp   |         | 1   |        |
| 11  | 986 397 017 00 | round seal  |         | 2   |        |
| 12  | 986 397 020 00 | spacer ring   |         | 2   |        |

|       |      |    |    |              |              |        |       |            |         |     |         |
|-------|------|----|----|--------------|--------------|--------|-------|------------|---------|-----|---------|
| Model | Year | MG | SG | Illustration | Restrictions | Update | 11:23 | 25.11.2005 | PORSCHE | PET | PORSCHE |
| 996   | 05   | 3  | 40 | 340-02       |              | 194    |       |            |         |     |         |

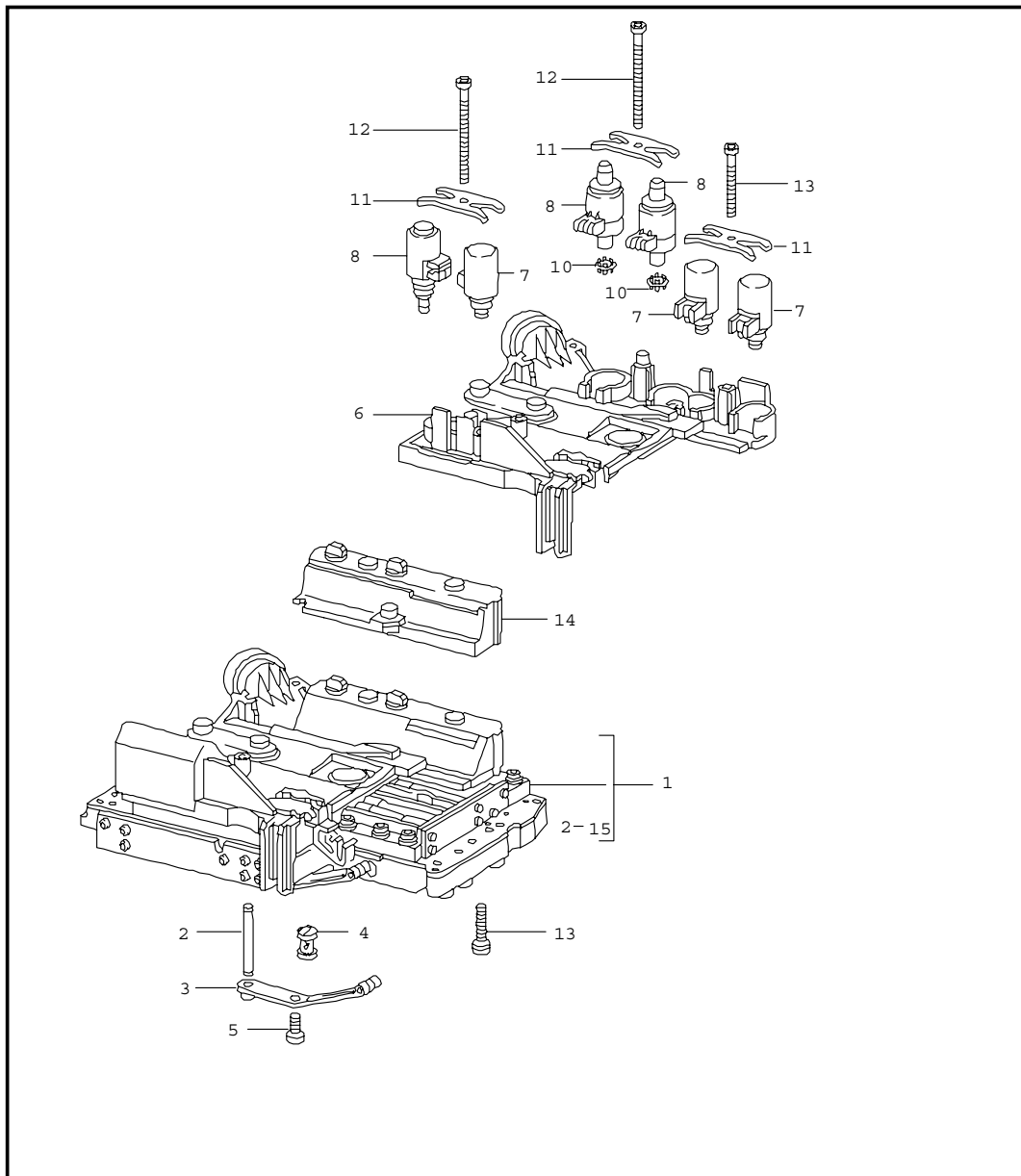
| Pos | Part Number    | Name                       | Remarks | Qty | Model | Pos | Part Number | Name | Remarks | Qty | Model |
|-----|----------------|----------------------------|---------|-----|-------|-----|-------------|------|---------|-----|-------|
| 13  | 996 325 111 00 | retaining bracket          |         | 1   |       |     |             |      |         |     |       |
| 14  | 943 397 013 00 | pan-head screw<br>M 6 X 30 |         | 1   |       |     |             |      |         |     |       |
| 15  | 943 397 005 00 | pan-head screw<br>M 6 X 60 |         | 16  |       |     |             |      |         |     |       |
| 16  | 986 325 609 00 | inductive transmitter      |         | 1   |       |     |             |      |         |     |       |
| 17  | 996 397 001 00 | spacer ring                |         | 1   |       |     |             |      |         |     |       |
| 18  | 996 397 002 00 | pan-head screw<br>M 6 X 27 |         | 1   |       |     |             |      |         |     |       |
|     |                | - - - E N D - - -          |         |     |       |     |             |      |         |     |       |

|       |      |    |    |              |              |        |       |            |         |     |         |
|-------|------|----|----|--------------|--------------|--------|-------|------------|---------|-----|---------|
| Model | Year | MG | SG | Illustration | Restrictions | Update | 11:23 | 25.11.2005 | PORSCHE | PET | PORSCHE |
| 996   | 05   | 3  | 40 | 340-03       |              | 194    |       |            |         |     |         |



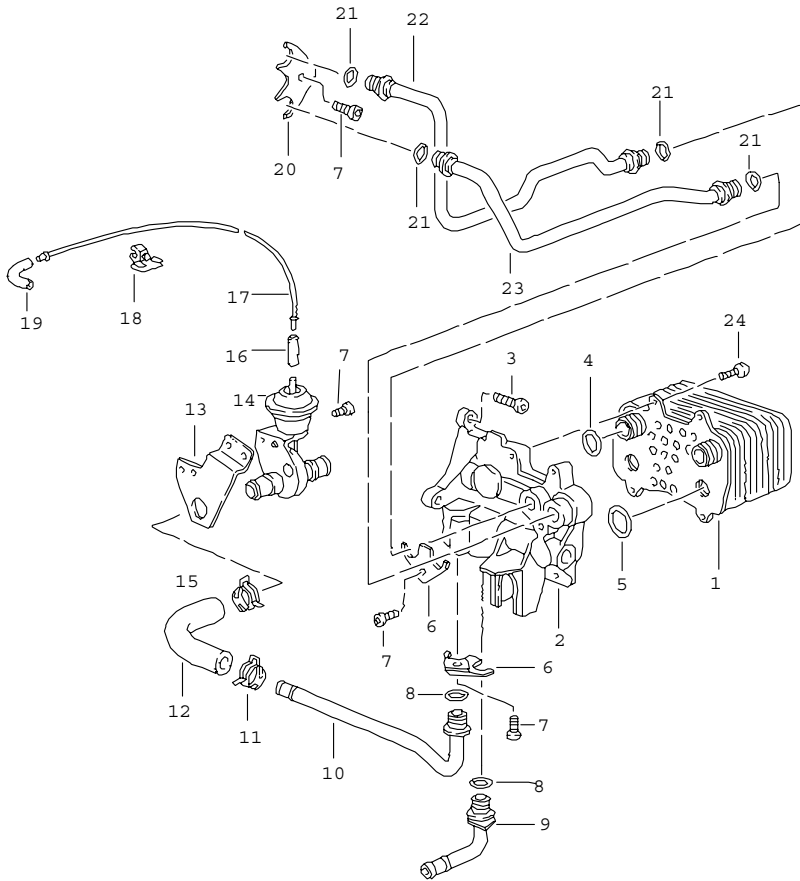
| Pos | Part Number    | Name                       | Remarks | Qty | Model  |
|-----|----------------|----------------------------|---------|-----|--------|
|     |                | tiptronic                  | 02-     |     | A96.10 |
|     |                | oil filter                 | 02-     |     | M 338  |
|     |                | oil pan                    |         |     | A96.35 |
|     |                |                            |         |     | M 339  |
| 1   | 722 270 161 2  | oil pan                    |         | 1   |        |
| 2   | 140 271 008 0  | gasket                     |         | 1   |        |
| 3   | 722 277 009 5  | oil filter                 |         | 1   |        |
| 4   | 140 271 006 8  | clamping sleeve            |         | 6   |        |
| 5   | 999 073 202 09 | pan-head screw<br>M 6 X 22 |         | 6   |        |
| 6   | ---            | clamping sleeve            |         | X   |        |
| 7   | 900 123 062 20 | sealing ring               |         | 1   |        |
| 8   | 900 219 007 02 | screw plug                 |         | 1   |        |
|     |                | - - - E N D - - -          |         |     |        |

|       |      |    |    |              |              |        |       |            |         |     |         |
|-------|------|----|----|--------------|--------------|--------|-------|------------|---------|-----|---------|
| Model | Year | MG | SG | Illustration | Restrictions | Update | 11:23 | 25.11.2005 | PORSCHE | PET | PORSCHE |
| 996   | 05   | 3  | 40 | 340-04       |              | 194    |       |            |         |     |         |



| Pos | Part Number    | Name               | Remarks | Qty | Model  |
|-----|----------------|--------------------|---------|-----|--------|
|     |                | tiptronic          | 02-     |     | A96.10 |
|     |                | switch unit        | 02-     |     | M 338  |
|     |                | solenoid valve     |         |     | A96.35 |
|     |                | pressure regulator |         |     | M 339  |
| 1   | 722 270 020 6  | switch unit        |         | 1   |        |
| 2   | 140 277 007 5  | pin                |         | 1   |        |
| 3   | 140 270 017 8  | spring             |         | 1   |        |
| 4   | 140 270 029 8  | filter             |         | 1   |        |
| 5   | 170 990 012 0  | screw              |         | 1   |        |
| 6   | 140 270 056 1  | cover plate        |         | 1   |        |
| 7   | 140 277 053 5  | valve              |         | 3   |        |
| 8   | 140 277 039 8  | solenoid valve     |         | 2   |        |
| 9   | 140 277 043 5  | solenoid valve     |         | 1   |        |
| 10  | 140 270 049 8  | filter             |         | 2   |        |
| 11  | 140 276 000 3  | spring plate       |         | 3   |        |
| 12  | 140 277 107 1  | screw              |         | 2   |        |
| 13  | 140 277 117 10 | screw              |         | 1   |        |
| 14  | 140 271 078 2  | cover              |         | 1   |        |
| 15  | 140 277 067 1  | screw              |         | 10  |        |
|     |                | - - - E N D - - -  |         |     |        |

|       |      |    |    |              |              |        |       |            |         |     |         |
|-------|------|----|----|--------------|--------------|--------|-------|------------|---------|-----|---------|
| Model | Year | MG | SG | Illustration | Restrictions | Update | 11:23 | 25.11.2005 | PORSCHE | PET | PORSCHE |
| 996   | 05   | 3  | 60 | 360-00       |              | 194    |       |            |         |     |         |



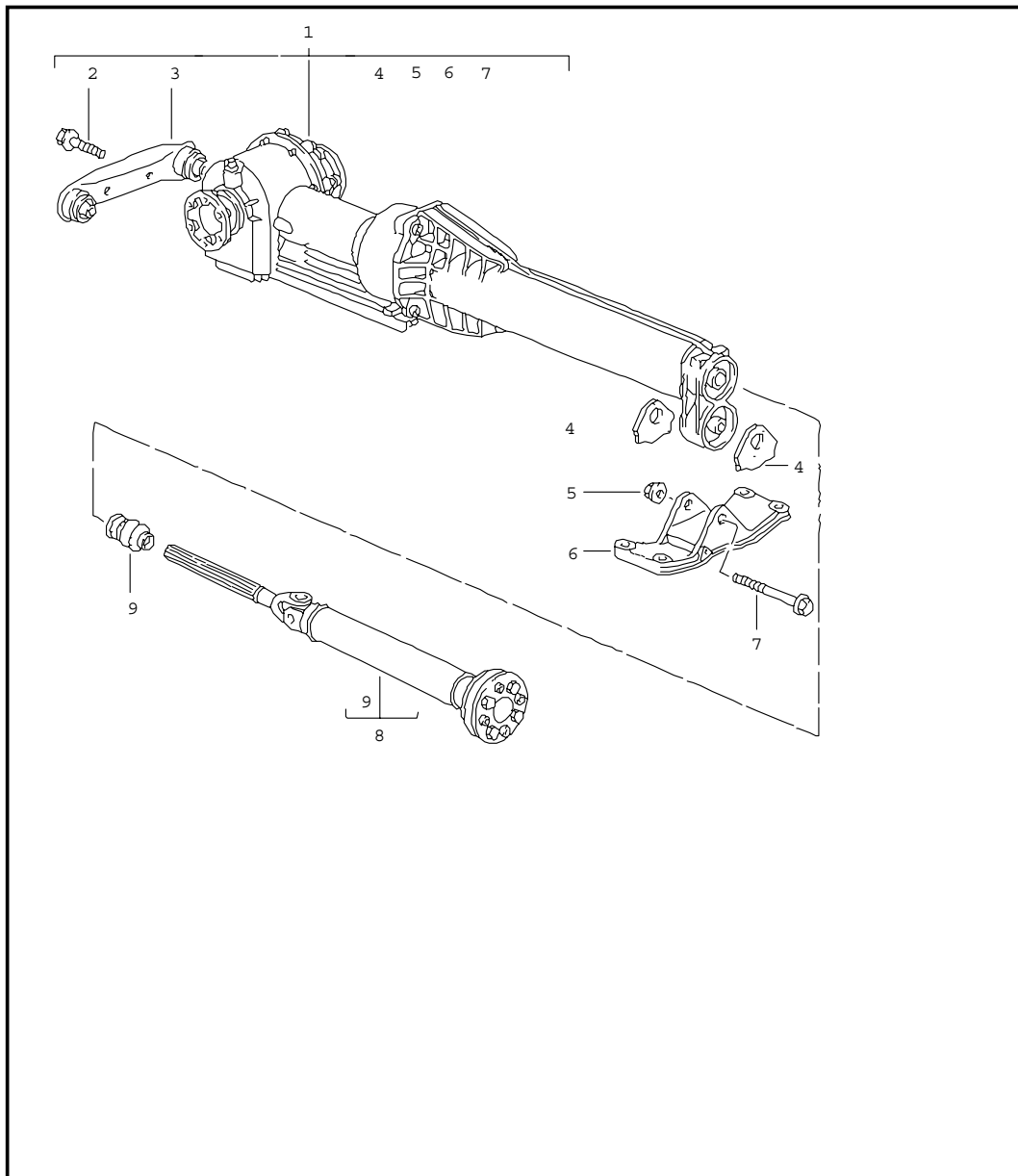
| Pos | Part Number    | Name                             | Remarks | Qty | Model  |
|-----|----------------|----------------------------------|---------|-----|--------|
|     |                | tiptronic                        | -01     |     | A96.00 |
|     |                | atf cooler                       | 99-01   |     | M 338  |
|     |                | atf lines                        |         |     | A96.30 |
|     |                |                                  |         |     | M 339  |
| 1   | 996 307 017 01 | atf cooler                       |         | 1   |        |
| 2   | 996 307 020 01 | port plate<br>18,64 X 3,53       |         | 2   |        |
| 3   | 999 073 095 09 | oval-head screw<br>M 8 X 30      |         | 3   |        |
| 4   | 999 707 388 40 | o-ring<br>18,6 X 3,5             |         | 2   |        |
| 5   | 900 331 034 40 | o-ring<br>25,8 X 3,5             |         | 2   |        |
| 6   | 996 307 144 00 | support                          |         | 2   |        |
| 7   | 999 073 094 09 | oval-head screw<br>M 8 X 20      |         | 5   |        |
| 8   | 999 707 387 40 | o-ring<br>15 X 2,5               |         | 2   |        |
| 9   | 996 307 077 03 | water line<br>return             | 99-     | 1   |        |
| 10  | 996 307 075 01 | water line<br>supply             |         | 1   |        |
| 11  | 999 512 552 00 | hose clamp<br>25 X 12            |         | 1   |        |
| 12  | 996 307 651 00 | hose                             |         | 1   |        |
| 13  | 996 307 401 00 | plate                            |         | 1   |        |
| 14  | 928 574 573 03 | disc valve                       |         | 1   |        |
| 15  | 999 512 655 09 | hose clamp<br>22 X 12            |         | 1   |        |
| 16  | 999 239 040 40 | connecting piece<br>3,5 X 2 X 28 |         | 1   |        |
| --  | 000 043 205 01 | pipe                             |         | *   |        |
| 17  | ---            | 4 X 1 X 870                      |         |     |        |
| 18  | 996 307 061 00 | clamp                            |         | 1   |        |
| --  | 999 591 965 40 | hose holder                      |         | 1   |        |



|       |      |    |    |              |              |        |       |            |         |     |         |
|-------|------|----|----|--------------|--------------|--------|-------|------------|---------|-----|---------|
| Model | Year | MG | SG | Illustration | Restrictions | Update | 11:23 | 25.11.2005 | PORSCHE | PET | PORSCHE |
| 996   | 05   | 3  | 60 | 360-00       |              | 194    |       |            |         |     |         |

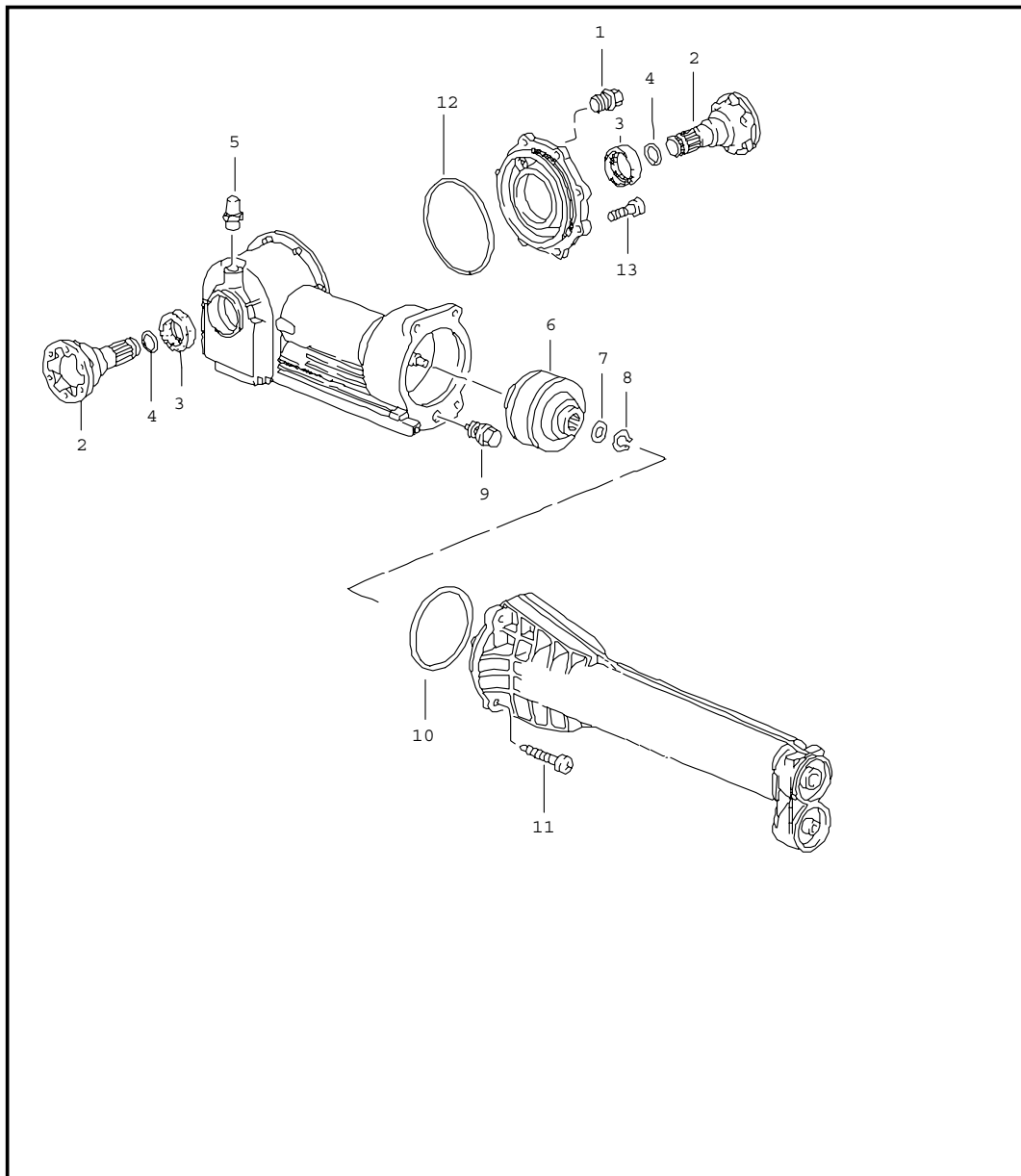
| Pos | Part Number    | Name                        | Remarks | Qty | Model | Pos | Part Number | Name | Remarks | Qty | Model |
|-----|----------------|-----------------------------|---------|-----|-------|-----|-------------|------|---------|-----|-------|
| 19  | 928 574 717 03 | hose                        |         | 1   |       |     |             |      |         |     |       |
| 20  | 996 307 147 00 | support                     |         | 4   |       |     |             |      |         |     |       |
| 21  | 999 707 386 40 | o-ring<br>12,3 X 2,6        |         | 4   |       |     |             |      |         |     |       |
| 22  | 996 307 085 01 | oil pipe<br>return          |         | 1   |       |     |             |      |         |     |       |
| 23  | 996 307 082 01 | oil pipe<br>supply          |         | 1   |       |     |             |      |         |     |       |
| 24  | 999 073 103 09 | oval-head screw<br>M 6 X 16 |         | 4   |       |     |             |      |         |     |       |
|     |                | - - - E N D - - -           |         |     |       |     |             |      |         |     |       |

|       |      |    |    |              |              |        |       |            |         |     |         |
|-------|------|----|----|--------------|--------------|--------|-------|------------|---------|-----|---------|
| Model | Year | MG | SG | Illustration | Restrictions | Update | 11:24 | 25.11.2005 | PORSCHE | PET | PORSCHE |
| 996   | 05   | 3  | 60 | 360-01       |              | 194    |       |            |         |     |         |



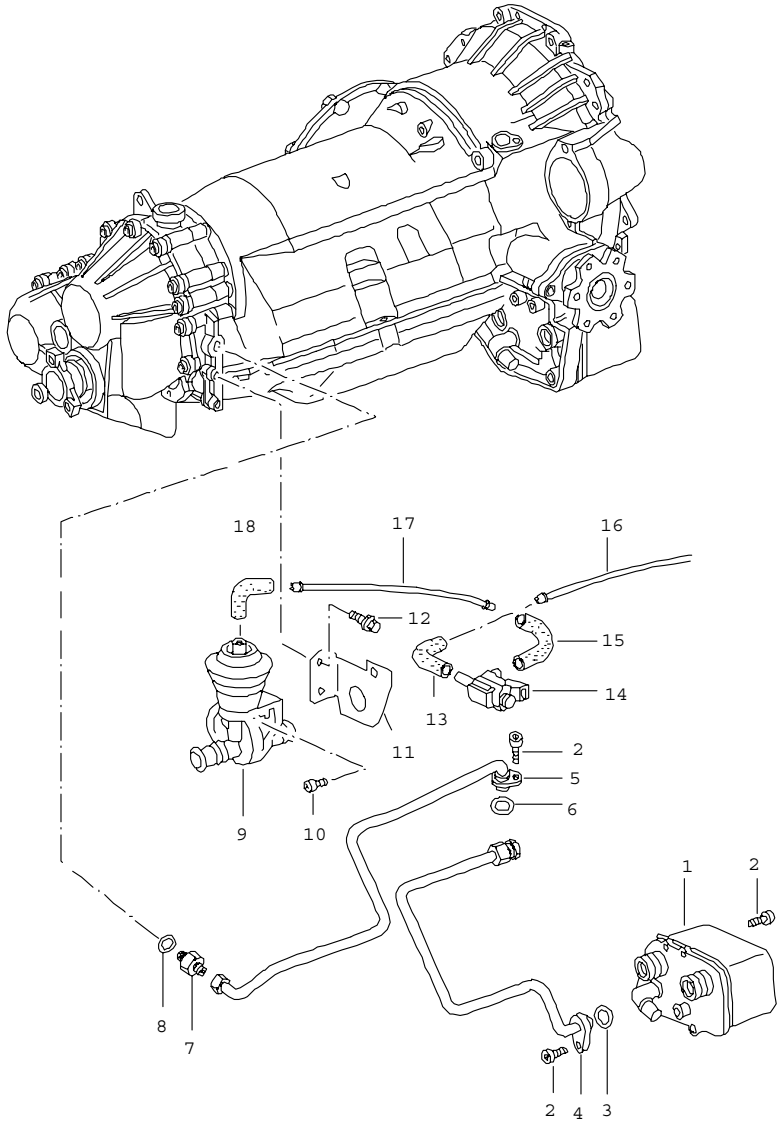
| Pos               | Part Number    | Name   | Remarks | Qty | Model  |
|-------------------|----------------|--|---------|-----|--------|
|                   |                | front-axle final drive                                     | 99-     |     | Z96.00 |
|                   |                | cardan shaft   |         |     | M 339  |
| 1                 | 996 349 010 02 | front-axle final drive ready for installation              |         | 1   |        |
| 2                 | 999 072 034 09 | conical screw M 10 X 28                                    |         | 2   |        |
| 3                 | 996 375 034 00 | transmission carrier front                                 |         | 1   |        |
| 4                 | 996 375 257 01 | stop   |         | 2   |        |
| 5                 | 900 380 008 09 | hexagon nut M 10   |         | 1   |        |
| 6                 | 996 375 343 03 | transmission carrier rear                                  |         | 1   |        |
| 7                 | 900 378 142 09 | hexagon-head bolt M 10 X 90                                |         | 1   |        |
| 8                 | 996 421 020 01 | cardan shaft   | -01     | 1   |        |
| 8                 | 996 421 020 50 | cardan shaft   | 02-     | 1   |        |
| 9                 | 996 421 145 01 | boot   |         | 1   |        |
| --                | 996 375 054 02 | transmission mounting rear                                 |         | 1   |        |
| --                | 999 061 105 09 | stud M 10 X 90   |         | 2   |        |
| --                | 900 380 008 09 | hexagon nut M 10 mount front-axle final drive cross member |         | 2   |        |
| - - - E N D - - - |                |  |         |     |        |

|       |      |    |    |              |              |        |       |            |         |     |         |
|-------|------|----|----|--------------|--------------|--------|-------|------------|---------|-----|---------|
| Model | Year | MG | SG | Illustration | Restrictions | Update | 11:24 | 25.11.2005 | PORSCHE | PET | PORSCHE |
| 996   | 05   | 3  | 60 | 360-02       |              | 194    |       |            |         |     |         |



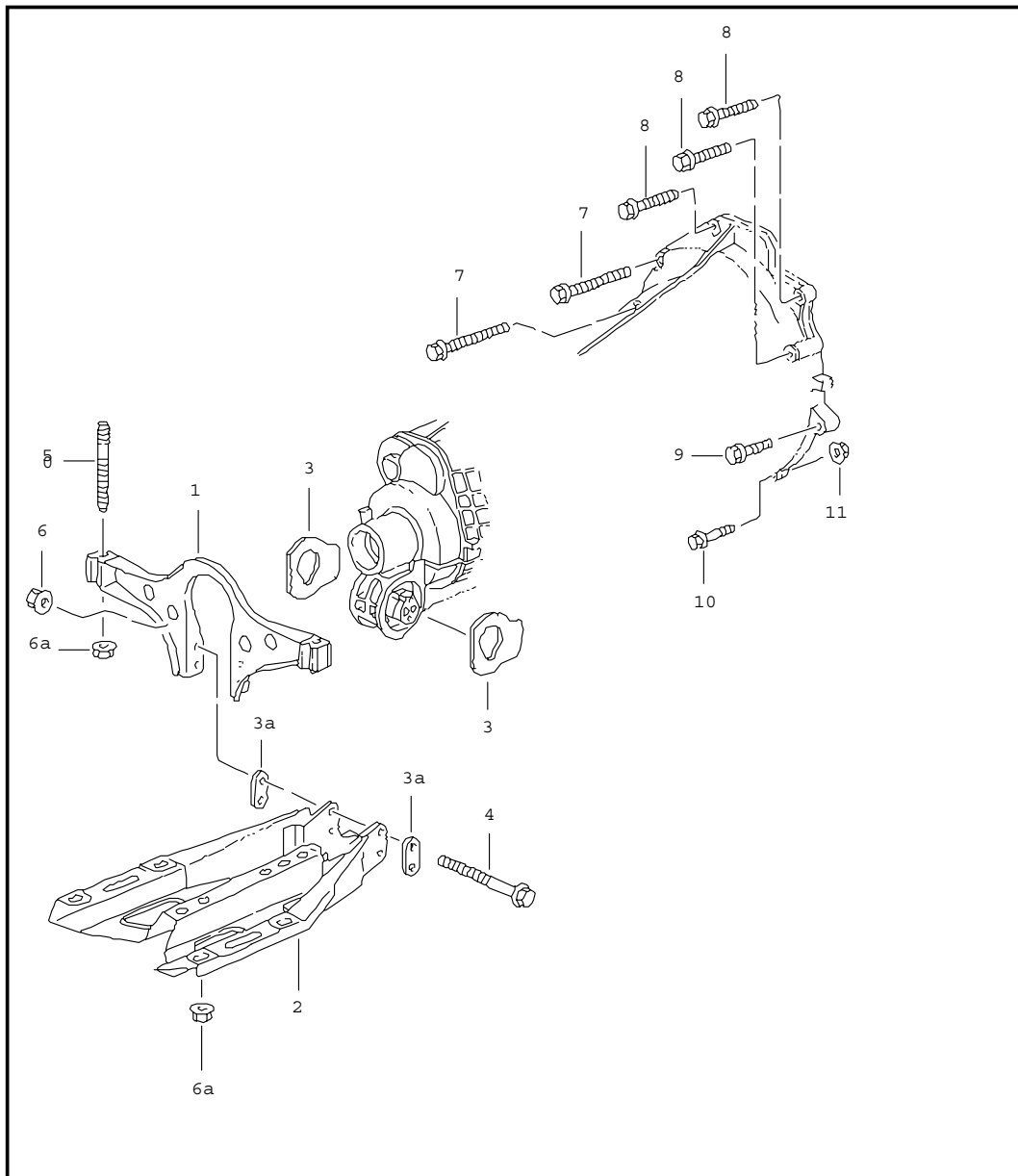
| Pos | Part Number    | Name                            | Remarks | Qty | Model           |
|-----|----------------|---------------------------------|---------|-----|-----------------|
|     |                | front-axle final drive          | 99-     |     | Z96.00<br>M 339 |
|     |                | viscous clutch<br>single parts  |         |     |                 |
| 1   | N 016 161 1    | screw plug<br>M 18 X 1,5        |         | 1   |                 |
| 2   | 996 332 309 00 | joint flange                    |         | 2   |                 |
| 3   | 999 113 454 40 | shaft seal<br>40 X 60 X 9       |         | 2   |                 |
| 4   | 996 332 311 00 | snap ring<br>2,5 X 20           |         | 2   |                 |
| 5   | 996 301 071 00 | bleeder<br>17 X 12              |         | 1   |                 |
| 6   | 996 339 021 02 | viscous clutch                  |         | 1   |                 |
| 7   | 900 234 174 00 | support washer<br>20 X 28 X 2,0 |         | 1   |                 |
| 8   | 999 041 021 01 | circlip<br>20 X 1,2             |         | 1   |                 |
| 9   | 900 124 025 02 | screw plug<br>M 18 X 1,5 PM     |         | 1   |                 |
| 10  | 999 707 455 40 | o-ring<br>123 X 3               |         | 1   |                 |
| 11  | N 903 660 01   | torx screw<br>M 8 X 36          |         | 4   |                 |
| 13  | N 903 660 01   | torx screw<br>M 8 X 36          |         | 8   |                 |
|     |                | - - - E N D - - -               |         |     |                 |

|       |      |    |    |              |              |        |       |            |         |     |         |
|-------|------|----|----|--------------|--------------|--------|-------|------------|---------|-----|---------|
| Model | Year | MG | SG | Illustration | Restrictions | Update | 11:24 | 25.11.2005 | PORSCHE | PET | PORSCHE |
| 996   | 05   | 3  | 60 | 360-03       |              | 194    |       |            |         |     |         |



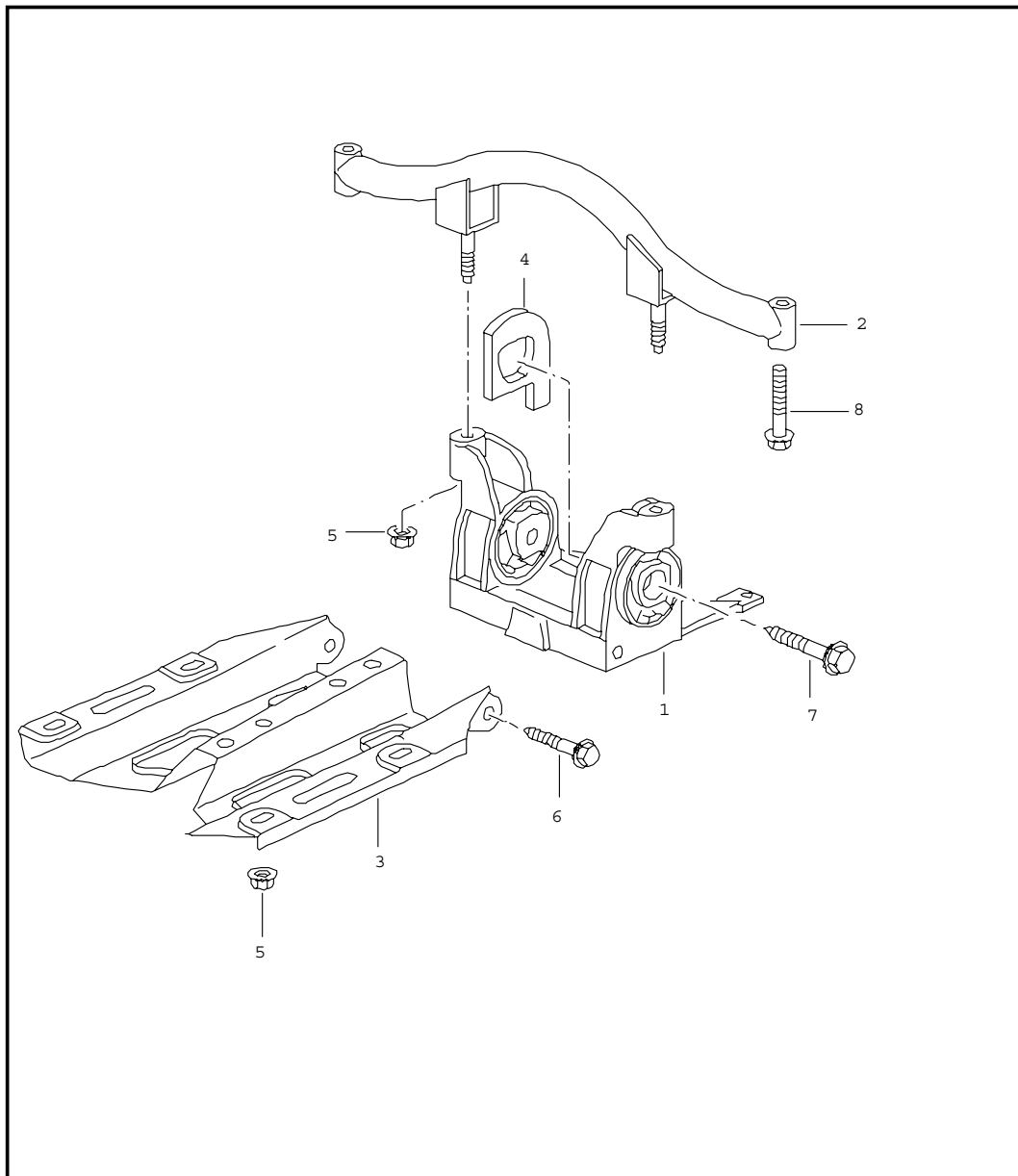
| Pos               | Part Number    | Name                        | Remarks | Qty | Model  |
|-------------------|----------------|-----------------------------|---------|-----|--------|
|                   |                | tiptronic                   | 02-     |     | A96.10 |
|                   |                | atf cooler                  | 02-     |     | M 338  |
|                   |                | atf lines                   |         |     | A96.35 |
|                   |                |                             |         |     | M 339  |
| 1                 | 722 270 009 5  | atf cooler                  |         | 1   |        |
| 2                 | 999 073 103 09 | oval-head screw<br>M 6 X 16 |         | 6   |        |
| 3                 | 026 997 234 8  | sealing ring                |         | 1   |        |
| 4                 | 722 270 089 6  | oil pipe<br>18,6 X 3,5      |         | 2   |        |
| 5                 | 722 270 079 6  | oil pipe                    |         | 1   |        |
| 6                 | 026 997 234 8  | sealing ring                |         | 1   |        |
| -                 | 996 307 711 10 | water hose<br>supply        |         | 1   |        |
| - - - E N D - - - |                |                             |         |     |        |

|       |      |    |    |              |              |        |       |            |         |     |         |
|-------|------|----|----|--------------|--------------|--------|-------|------------|---------|-----|---------|
| Model | Year | MG | SG | Illustration | Restrictions | Update | 11:24 | 25.11.2005 | PORSCHE | PET | PORSCHE |
| 996   | 05   | 3  | 70 | 370-00       |              | 194    |       |            |         |     |         |



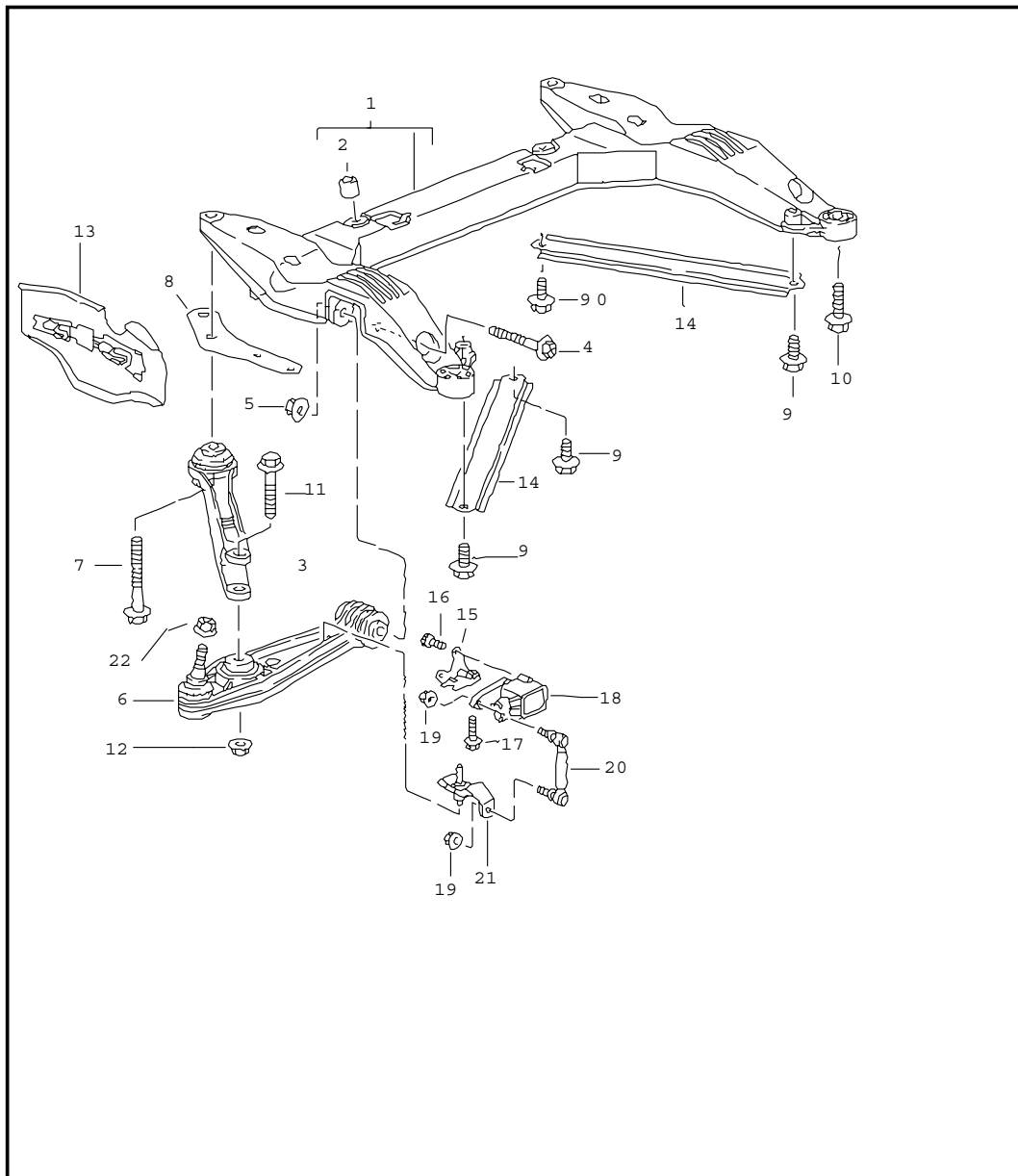
| Pos  | Part Number    | Name                                  | Remarks | Qty | Model  |
|------|----------------|---------------------------------------|---------|-----|--------|
|      |                | tiptronic                             | -01     |     | A96.00 |
|      |                | transmission suspension               | 99-01   |     | M 338  |
|      |                | threaded joint                        |         |     | A96.30 |
|      |                | engine                                |         |     |        |
| 1    | 996 375 039 02 | transmission carrier                  | -00     | 1   |        |
| (1)  | 996 375 039 03 | transmission carrier                  | 01-     | 1   |        |
| 2    | 996 375 031 08 | transmission carrier                  |         | 1   |        |
| 3    | 996 375 255 05 | stop                                  |         | 2   |        |
| 3A   | 996 375 333 00 | packing plate                         |         | 2   |        |
| 4    | 900 378 167 09 | hexagon-head bolt<br>M 10 X 110       |         | 2   |        |
| 5    | 999 061 106 09 | stud<br>M 10 X 83                     |         | 2   |        |
| 6    | 900 380 008 09 | hexagon nut<br>M 10                   |         | 2   |        |
| (6A) | 999 076 053 09 | hexagon nut<br>M 10                   |         | 6   |        |
| 7    | 999 072 010 09 | hexagon-head bolt<br>M 12 X 1,5 X 100 |         | 2   |        |
| 8    | 999 072 008 09 | hexagon-head bolt<br>M 12 X 1,5 X 70  |         | 3   |        |
| 9    | 900 378 061 09 | hexagon-head bolt<br>M 12 X 1,5 X 50  |         | 1   |        |
| 10   | 900 378 076 09 | hexagon-head bolt<br>M 10 X 50        |         | 1   |        |
| 11   | 900 377 011 09 | hexagon nut<br>M 10                   |         | 1   |        |
|      |                | - - - E N D - - -                     |         |     |        |

|       |      |    |    |              |              |        |       |            |         |     |         |
|-------|------|----|----|--------------|--------------|--------|-------|------------|---------|-----|---------|
| Model | Year | MG | SG | Illustration | Restrictions | Update | 11:24 | 25.11.2005 | PORSCHE | PET | PORSCHE |
| 996   | 05   | 3  | 70 | 370-01       |              | 194    |       |            |         |     |         |



| Pos  | Part Number    | Name  | Remarks | Qty | Model  |
|------|----------------|---|---------|-----|--------|
|      |                | tiptronic   | 02-     |     | A96.10 |
|      |                | transmission suspension and mount intermediate flange | 02-     |     | M 338  |
|      |                |   |         |     | A96.35 |
|      |                |   |         |     | M 339  |
| 1    | 996 375 033 03 | transmission carrier                                  |         | 1   |        |
| 2    | 996 375 317 06 | bracket upper   |         | 1   |        |
| 3    | 996 375 015 00 | side member   |         | 1   |        |
| 4    | 996 375 259 07 | stop  |         | 2   |        |
| 5    | 900 378 167 09 | hexagon-head bolt M 10 X 110                          |         | 2   |        |
| 5    | 999 061 106 09 | stud M 10 X 83  |         | 2   |        |
| 6    | 900 380 008 09 | hexagon nut M 10                                      |         | 2   |        |
| (6A) | 999 076 053 09 | hexagon nut M 10                                      |         | 6   |        |
| 7    | 999 072 010 09 | hexagon-head bolt M 12 X 1,5 X 100                    |         | 2   |        |
| 8    | 999 072 008 09 | hexagon-head bolt M 12 X 1,5 X 70                     |         | 3   |        |
| -    | 999 073 182 02 | lens-head screw M 8 X 35                              |         | 8   |        |
|      |                | - - - E N D - - -                                     |         |     |        |

|       |      |    |    |              |              |        |       |            |         |     |         |
|-------|------|----|----|--------------|--------------|--------|-------|------------|---------|-----|---------|
| Model | Year | MG | SG | Illustration | Restrictions | Update | 11:24 | 25.11.2005 | PORSCHE | PET | PORSCHE |
| 996   | 05   | 4  | 01 | 401-00       |              | 194    |       |            |         |     |         |



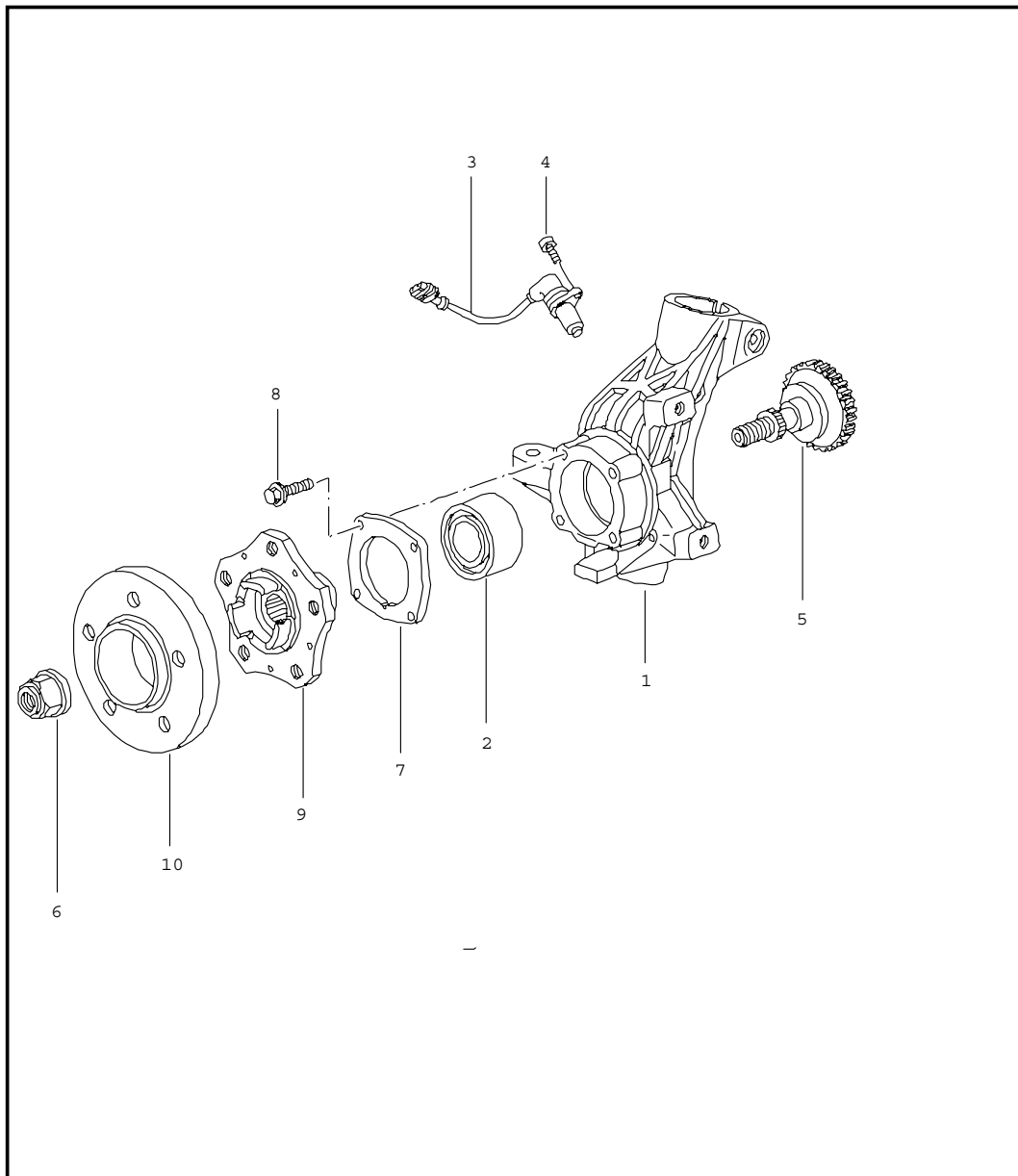
| Pos   | Part Number    | Name   | Remarks    | Qty | Model |
|-------|----------------|--|------------|-----|-------|
|       |                | cross member<br>control arm  |            |     |       |
| 1     | 996 341 081 05 | cross member<br>F >>99WS6 06191<br>F >>99WS6 40419   |            | 1   |       |
| (1)   | 996 341 081 10 | cross member<br>F 99WS6 06192>><br>F 99WS6 40420>>   |            | 1   |       |
| (1)   | 996 341 081 10 | cross member   | 99-<br>-01 | 1   |       |
| (1) A | 996 341 081 12 | cross member   | 02-        | 1   |       |
| (1)   | 996 341 081 14 | cross member   | 02-        | 1   |       |
| 2     | 900 197 004 00 | roll pin<br>13 X 14  |            | 1   |       |
| 3     | 996 341 043 03 | control arm  |            | 2   |       |
| 4     | 900 378 165 09 | hexagon-head bolt<br>M 12 X 1,5 X 95   |            | 2   |       |
| 5     | 999 084 445 09 | hexagon nut<br>M 12 X 1,5  |            | 2   |       |
| 6 A   | 996 341 053 07 | control arm  | -03        | 2   |       |
| (6)   | 996 341 053 16 | control arm  | 04         | 2   |       |
| (6)   | 996 341 053 17 | control arm  | 05-        | 2   |       |
| (6)   | 996 341 941 01 | control arm<br>adjustable<br>with<br>eccentric screw<br>eccentric washer<br>and<br>hexagon nut |            | X   |       |
| 7     | 900 378 146 09 | hexagon-head bolt<br>M 14 X 1,5 X 110  |            | 2   |       |
| 8     | 996 341 145 06 | plate  |            | 2   |       |
| 9     | 900 378 094 09 | hexagon-head bolt<br>M 12 X 1,5 X 25   |            | 4   |       |
| 10    | 900 378 145 09 | hexagon-head bolt<br>M 14 X 1,5 X 45<br>F >>99WS6 06191<br>F >>99WS6 40419                     |            | 2   |       |

|       |      |    |    |              |              |        |       |            |         |     |         |
|-------|------|----|----|--------------|--------------|--------|-------|------------|---------|-----|---------|
| Model | Year | MG | SG | Illustration | Restrictions | Update | 11:24 | 25.11.2005 | PORSCHE | PET | PORSCHE |
| 996   | 05   | 4  | 01 | 401-00       |              | 194    |       |            |         |     |         |

| Pos               | Part Number    | Name   | Remarks    | Qty    | Model          | Pos | Part Number | Name | Remarks | Qty | Model |
|-------------------|----------------|--|------------|--------|----------------|-----|-------------|------|---------|-----|-------|
| (10)              | 900 378 192 09 | hexagon-head bolt<br>M 14 X 1,5 X 50<br>F 99WS6 06192>><br>F 99WS6 40420>> | -01<br>02- | 2<br>4 |                |     |             |      |         |     |       |
| 11                | 900 378 135 09 | hexagon-head bolt<br>M 14 X 1,5 X 73                                       |            | 2<br>2 |                |     |             |      |         |     |       |
| 12                | 900 380 012 09 | hexagon nut<br>M 14 X 1,5  |            | 2      |                |     |             |      |         |     |       |
| 13                | 996 341 483 01 | spoiler  | /L         | 1      |                |     |             |      |         |     |       |
| (13)              | 996 341 483 02 | spoiler  | /L 99-     | 1      | M 339          |     |             |      |         |     |       |
| (13)              | 996 341 483 02 | spoiler  | /L 04      | 1      | M 095/338      |     |             |      |         |     |       |
| (13)              | 996 341 483 05 | spoiler<br>F 995S6 40616>><br>F 995S6 00441>>                              | /L 05-     | 1      | M 339          |     |             |      |         |     |       |
| (13)              | 996 341 484 01 | spoiler  | /R         | 1      |                |     |             |      |         |     |       |
| (13)              | 996 341 484 02 | spoiler  | /R 99-     | 1      | M 339          |     |             |      |         |     |       |
| (13)              | 996 341 484 02 | spoiler  | /R 04      | 1      | M 095/338      |     |             |      |         |     |       |
| (13)              | 996 341 484 05 | spoiler<br>F 995S6 40616>><br>F 995S6 00441>>                              | /R 05-     | 1      | M 339<br>M 339 |     |             |      |         |     |       |
| 14                | 996 504 433 00 | strut  |            | 2      |                |     |             |      |         |     |       |
| 15                | 996 341 511 01 | support  | 99         | 1      | M 601          |     |             |      |         |     |       |
| (15)              | 996 341 511 02 | support  | 00-        | 1      | M 601          |     |             |      |         |     |       |
| 16                | N 014 129 12   | oval-head screw<br>M 5 X 10  |            | 2      | M 601          |     |             |      |         |     |       |
| 17                | 900 378 177 09 | hexagon-head bolt<br>M 6 X 30  |            | 1      | M 601          |     |             |      |         |     |       |
| 18                | 996 631 121 00 | sensor   | 99-        | 1      | M 601          |     |             |      |         |     |       |
| 19                | 900 380 015 09 | hexagon nut<br>VM 6  |            | 2      |                |     |             |      |         |     |       |
| 20                | 996 341 375 01 | strut  | 99-        | 1      | M 601          |     |             |      |         |     |       |
| 21                | 996 341 371 03 | support  | 99-        | 1      | M 601          |     |             |      |         |     |       |
| 22                | 999 084 449 09 | hexagon nut<br>M 12 X 1,5  |            | 2      |                |     |             |      |         |     |       |
| - - - E N D - - - |                |  |            |        |                |     |             |      |         |     |       |



|       |      |    |    |              |              |        |       |            |         |     |         |
|-------|------|----|----|--------------|--------------|--------|-------|------------|---------|-----|---------|
| Model | Year | MG | SG | Illustration | Restrictions | Update | 11:25 | 25.11.2005 | PORSCHE | PET | PORSCHE |
| 996   | 05   | 4  | 01 | 401-05       |              | 194    |       |            |         |     |         |

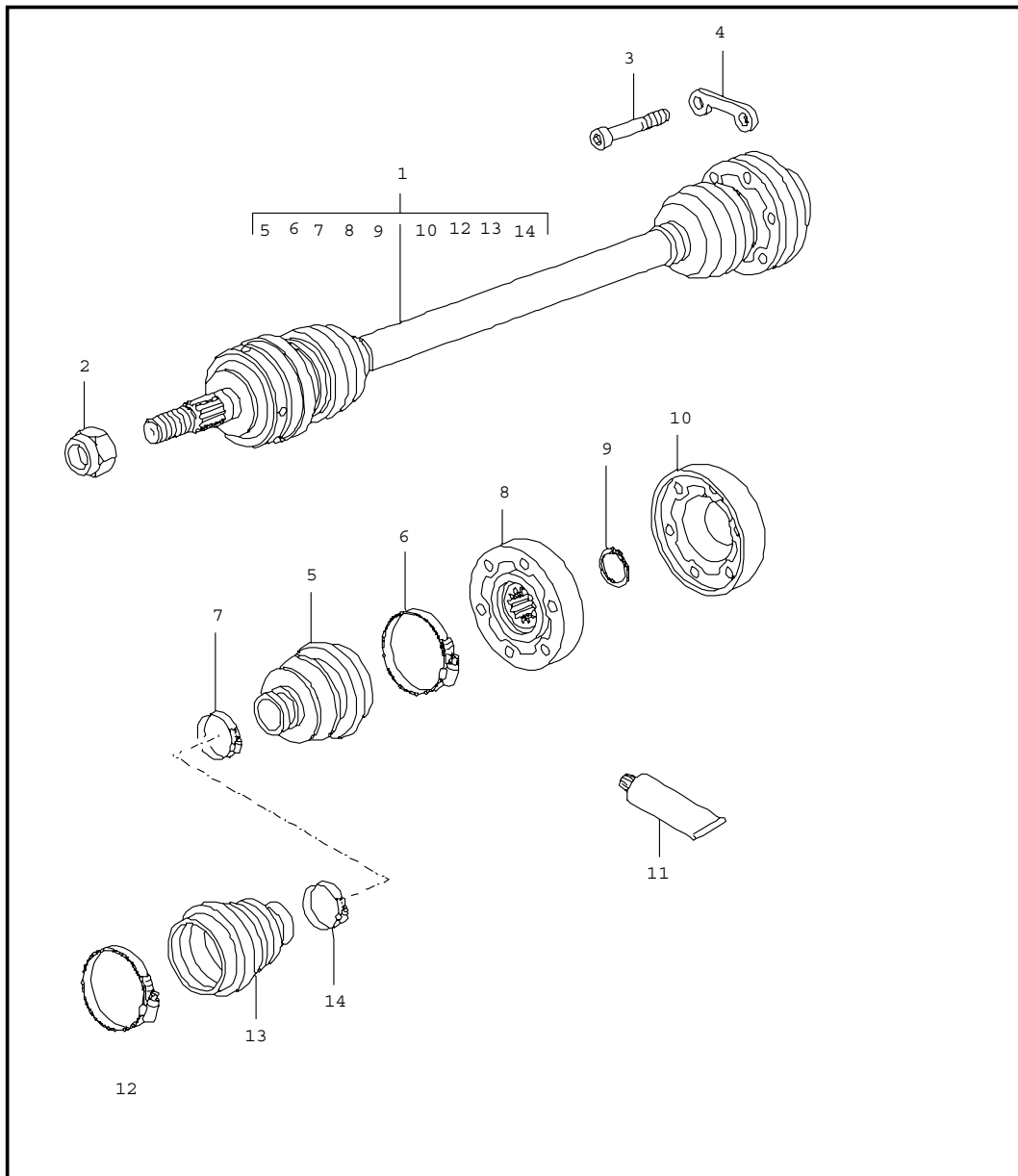


| Pos | Part Number      | Name                          | Remarks | Qty | Model |
|-----|------------------|-------------------------------|---------|-----|-------|
|     |                  | wheel carrier<br>wheel hub    |         |     |       |
| 1   | A 996 341 157 09 | wheel carrier                 | /L      | 1   | M 338 |
| (1) | A 996 341 157 11 | wheel carrier                 | /L      | 1   | M 338 |
| (1) | A 996 341 957 11 | wheel carrier                 | /L -01  | 1   | M 338 |
| (1) | 996 341 957 12   | wheel carrier                 | /L      | 1   | M 338 |
| (1) | A 996 341 158 09 | wheel carrier                 | /R      | 1   | M 338 |
| (1) | A 996 341 158 11 | wheel carrier                 | /R      | 1   | M 338 |
| (1) | A 996 341 958 11 | wheel carrier                 | /R -01  | 1   | M 338 |
| (1) | 996 341 958 12   | wheel carrier                 | /R      | 1   | M 338 |
| (1) | 996 341 155 04   | wheel carrier                 | /L 99-  | 1   | M 339 |
| (1) | 996 341 156 04   | wheel carrier                 | /R 99-  | 1   | M 339 |
| (1) | 996 341 165 06   | wheel carrier                 | /L 02-  | 1   | C 4-S |
| (1) | 996 341 166 06   | wheel carrier                 | /R 02-  | 1   | C 4-S |
| 2   | 999 053 041 02   | angular-contact bearing       | -00     | 2   |       |
| (2) | 999 053 041 03   | bearing                       | 01-     | 2   |       |
| (2) | 999 053 042 07   | bearing                       | 02-     | 2   | C 4-S |
| (2) | 999 053 054 05   | bearing                       |         | 2   |       |
| 3   | 996 606 406 00   | speed sensor                  | -01     | 2   |       |
| (3) | 996 606 406 00   | speed sensor                  | 01      | 2   | M 476 |
| (3) | 996 606 407 02   | speed sensor                  | 02-     | 2   |       |
| (3) | 996 606 406 00   | speed sensor                  | 02-     | 2   | M 476 |
| 4   | 900 067 117 09   | hexagon-head bolt<br>M 6 X 16 |         | 2   |       |
| 5   | 996 341 131 01   | tension bolt                  |         | 2   | M 338 |
| 6   | 999 084 634 09   | hexagon nut<br>M 22 X 1,5     |         | 2   |       |
| 7   | 964 341 661 01   | cover                         |         | 2   |       |
| 7   | 986 331 661 20   | cover                         | 02-     | 2   | C 4-S |
| 8   | 999 217 042 09   | hexagon-head bolt<br>M 8 X 35 |         | 8   |       |

|       |      |    |    |              |              |        |       |            |         |     |         |
|-------|------|----|----|--------------|--------------|--------|-------|------------|---------|-----|---------|
| Model | Year | MG | SG | Illustration | Restrictions | Update | 11:25 | 25.11.2005 | PORSCHE | PET | PORSCHE |
| 996   | 05   | 4  | 01 | 401-05       |              | 194    |       |            |         |     |         |

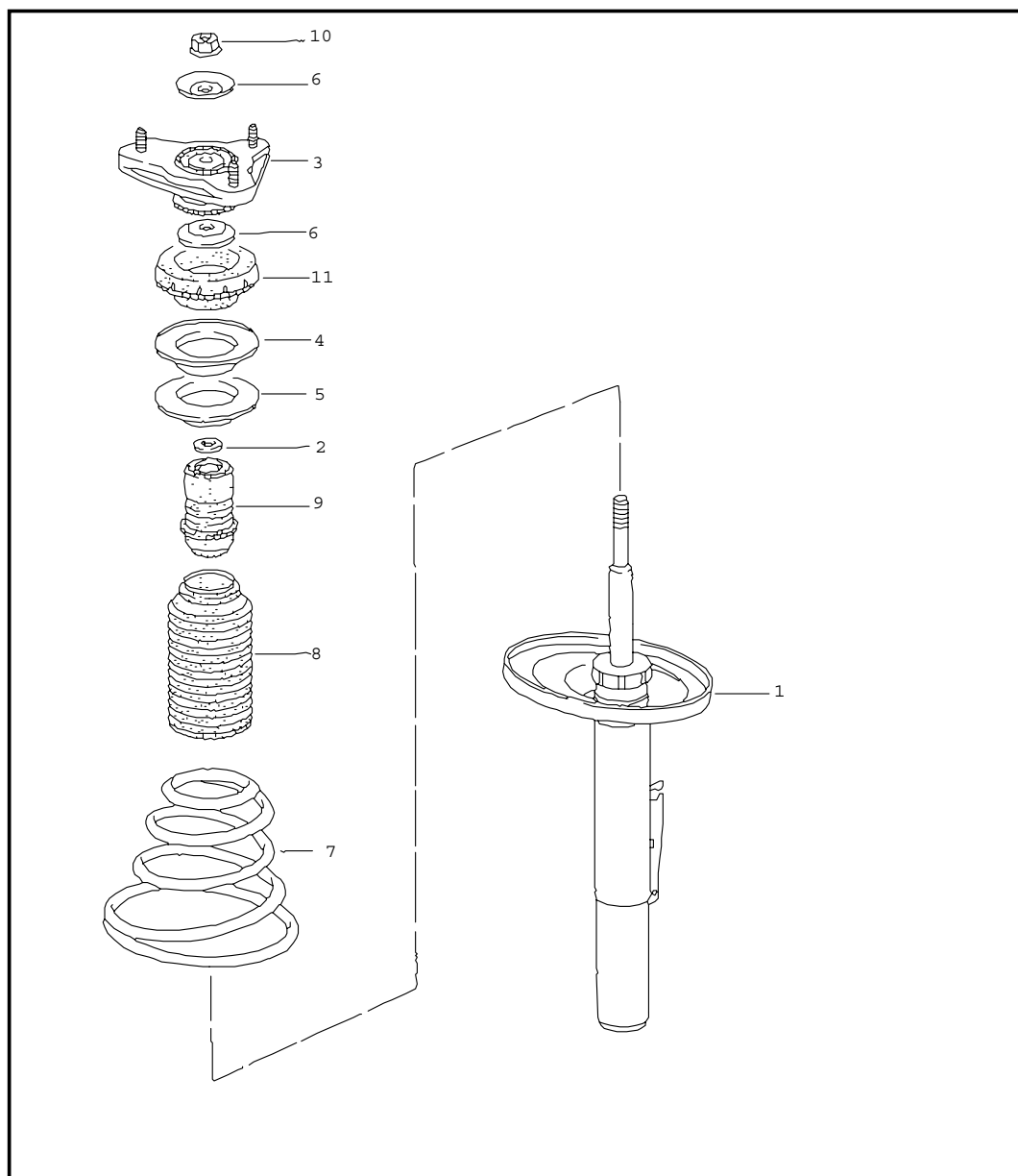
| Pos | Part Number    | Name   | Remarks | Qty | Model | Pos | Part Number | Name | Remarks | Qty | Model |
|-----|----------------|--|---------|-----|-------|-----|-------------|------|---------|-----|-------|
| 9   | 996 341 605 54 | wheel hub                                    |         | 2   |       |     |             |      |         |     |       |
| (9) | 986 331 605 20 | wheel hub                                    | 02-     | 2   | C 4-S |     |             |      |         |     |       |
| 10  | 996 361 605 90 | spacer ring<br>5 MM<br>without<br>wheel bolt | 01-     | 2   | XRP   |     |             |      |         |     |       |
|     |                | - - - E N D - - -                            |         |     |       |     |             |      |         |     |       |

|       |      |    |    |              |              |        |       |            |         |     |         |
|-------|------|----|----|--------------|--------------|--------|-------|------------|---------|-----|---------|
| Model | Year | MG | SG | Illustration | Restrictions | Update | 11:25 | 25.11.2005 | PORSCHE | PET | PORSCHE |
| 996   | 05   | 4  | 01 | 401-10       |              | 194    |       |            |         |     |         |



| Pos               | Part Number      | Name  | Remarks | Qty | Model |
|-------------------|------------------|---|---------|-----|-------|
|                   |                  | drive shaft                                     |         |     | M 339 |
| 1                 | 996 349 038 01   | drive shaft                                     | -99     | 2   |       |
| (1)               | 996 349 038 10   | drive shaft                                     | 00-     | 2   |       |
| 2                 | 999 084 641 02   | hexagon nut<br>M 22 X 1,5                       |         | 2   |       |
| (2)               | 999 084 641 02   | lock nut<br>M 22 X 1,5                          |         | 2   |       |
| 3                 | 900 067 211 09   | lock nut<br>M 8 X 50                            |         | 12  |       |
| 4                 | A 996 349 191 00 | plate   |         | 6   |       |
| (4)               | 996 349 191 01   | plate   |         | 6   |       |
| 5                 | 996 349 293 00   | dust bellows                                    |         | 2   |       |
| 6                 | 996 349 257 02   | clip  |         | 2   |       |
| 7                 | 996 349 257 03   | clip  |         | 2   |       |
| 8                 | 996 349 030 00   | joint   |         | 2   |       |
| 9                 | 900 041 011 01   | circlip   |         | 2   |       |
| 10                | 996 349 267 00   | cover   |         | 2   |       |
| 11                | 000 043 110 01   | grease for drive shaft<br>1 tube 100 g          |         | X   |       |
| (11)              | 000 043 205 36   | sealing compound<br>drive shaft<br>1 tube 100 g |         | X   |       |
| 12                | 996 349 257 00   | clip  |         | 2   |       |
| 13                | 996 349 291 00   | dust bellows                                    |         | 2   |       |
| 14                | 996 349 257 01   | clip  |         | 2   |       |
| - - - E N D - - - |                  |   |         |     |       |

|       |      |    |    |              |              |        |       |            |         |     |         |
|-------|------|----|----|--------------|--------------|--------|-------|------------|---------|-----|---------|
| Model | Year | MG | SG | Illustration | Restrictions | Update | 11:25 | 25.11.2005 | PORSCHE | PET | PORSCHE |
| 996   | 05   | 4  | 02 | 402-00       |              | 194    |       |            |         |     |         |

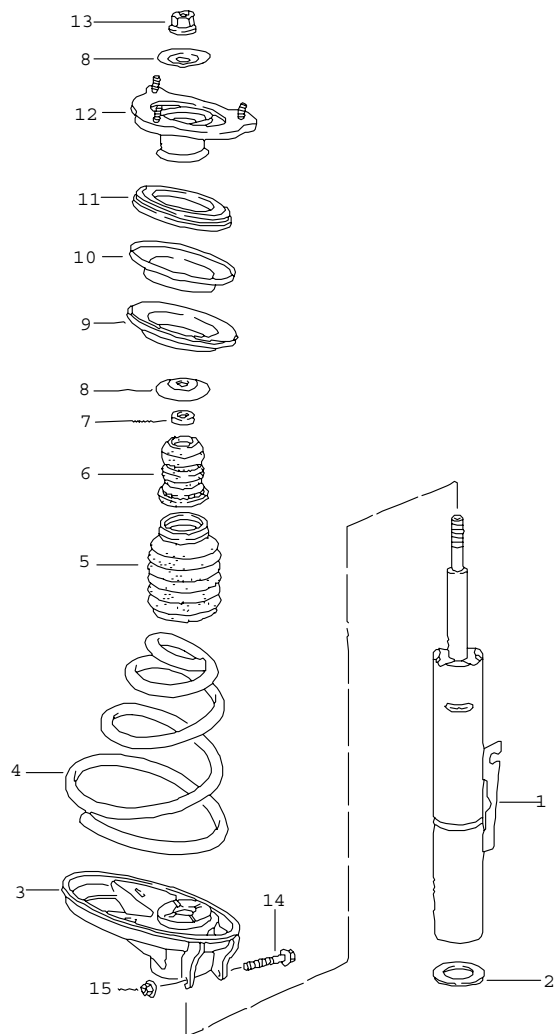


| Pos | Part Number    | Name                            | Remarks | Qty | Model |
|-----|----------------|---------------------------------|---------|-----|-------|
|     |                | springs<br>shock absorber strut |         |     | M 338 |
| 1   | 996 343 041 04 | shock absorber<br>- bilstein -  | -01     | 2   |       |
| (1) | 996 343 041 20 | shock absorber<br>- bilstein -  | 02      | 2   |       |
| (1) | 996 343 041 23 | shock absorber<br>- bilstein -  | 03-     | 2   |       |
| (1) | 996 343 041 16 | shock absorber<br>- bilstein -  | -01     | 2   | M 030 |
| (1) | 996 343 041 18 | shock absorber<br>- bilstein -  | 02      | 2   | M 030 |
| (1) | 996 343 041 21 | shock absorber<br>- bilstein -  | 03-     | 2   | M 030 |
| (1) | 996 343 980 06 | shock absorber                  | -01     | 2   | X74   |
| (1) | 996 343 980 20 | shock absorber                  | 02-     | 2   | X74   |
|     |                | mount<br>shock absorber         |         |     |       |
| -   | 999 084 445 09 | hexagon nut<br>M 12 X 1,5       |         | 2   |       |
| 2   | 996 343 513 00 | cone washer                     |         | 2   |       |
| 3   | 996 343 018 04 | supporting mount                | -03     | 2   |       |
| (3) | 997 343 018 00 | supporting mount                | 04-     | 2   |       |
| (3) | 996 343 980 08 | supporting mount                | -01     | 2   | X74   |
| (3) | 996 343 980 08 | supporting mount                | 02-     | 2   | X74   |
| -   | 999 084 447 09 | hexagon nut<br>M 8              |         | 6   |       |
| -   | 999 703 429 40 | cover                           |         | 2   |       |
| 4   | 996 343 517 01 | support ring                    |         | 2   |       |
| 5   | 996 343 511 00 | compensating plate<br>3,0 MM    |         | X   |       |
| (5) | 996 343 511 01 | compensating plate<br>6,5 MM    |         | X   |       |
| 6   | 996 343 107 02 | stop plate                      | -99     | 4   |       |
| (6) | 996 343 107 03 | stop plate                      | 00-     | 4   |       |

|       |      |    |    |              |              |        |       |            |         |     |         |
|-------|------|----|----|--------------|--------------|--------|-------|------------|---------|-----|---------|
| Model | Year | MG | SG | Illustration | Restrictions | Update | 11:25 | 25.11.2005 | PORSCHE | PET | PORSCHE |
| 996   | 05   | 4  | 02 | 402-00       |              | 194    |       |            |         |     |         |

| Pos | Part Number    | Name                     | Remarks    | Qty    | Model                       | Pos  | Part Number    | Name   | Remarks | Qty | Model |
|-----|----------------|--------------------------|------------|--------|-----------------------------|------|----------------|--|---------|-----|-------|
| 7   | 996 343 531 01 | coil spring<br>1 set     | -01        | 1      | COUPE                       | (7)  | 996 343 980 07 | coil spring<br>1 set                                   | -01     | 1   | X74   |
|     | 504            | marked<br>blue<br>yellow |            |        |                             |      | 504            | marked<br>red lilac<br>creamy white                    |         |     |       |
| (7) | 996 343 531 15 | coil spring<br>1 set     | 02-        | 1      | COUPE                       | (7)  | 996 343 980 07 | coil spring<br>1 set                                   | 02-     | 1   | X74   |
|     | 504            | marked<br>brown<br>white |            |        |                             |      | 504            | marked<br>red lilac<br>creamy white<br>F >>992S6 03565 |         |     |       |
| (7) | 996 343 531 02 | coil spring<br>1 set     | -01        | 1      | CABRIO                      | (7)  | 996 343 980 25 | coil spring<br>1 set                                   |         | 1   | X74   |
|     | 504            | marked<br>brown<br>red   |            |        |                             |      | 504            | marked<br>red lilac<br>creamy white<br>F 992S6 03566>> |         |     |       |
| (7) | 996 343 531 16 | coil spring<br>1 set     | 02-<br>02- | 1<br>1 | CABRIO<br>TARGA             | 8    | 996 343 505 00 | bellows  |         | 2   |       |
|     | 504            | marked<br>brown<br>red   |            |        |                             | 9    | 996 343 301 02 | additional spring                                      |         | 2   |       |
| (7) | 996 343 531 11 | coil spring<br>1 set     | -01        | 1      | M 030 COUPE                 | (9)  | 996 343 980 09 | additional spring                                      | -01     | 2   | X74   |
|     | 504            | marked<br>green<br>white |            |        |                             | 9    | 996 343 980 09 | additional spring                                      | 02-     | 2   | X74   |
| (7) | 996 343 531 19 | coil spring<br>1 set     | 02-        | 1      | M 030 COUPE                 | 10   | 900 380 012 09 | hexagon nut<br>M 14 X 1,5                              |         | 2   |       |
|     | 504            | marked<br>green<br>white |            |        |                             | 11 A | 996 343 515 04 | deep-groove ball bearing<br>with housing               |         | 2   |       |
| (7) | 996 343 531 12 | coil spring<br>1 set     | -01        | 1      | M 030 CABRIO                | (11) | 996 343 515 05 | bearing<br>with housing                                |         | 2   |       |
|     | 504            | marked<br>green<br>red   |            |        |                             |      |                | - - - E N D - - -                                      |         |     |       |
| (7) | 996 343 531 20 | coil spring<br>1 set     | 02-<br>02- | 1<br>1 | M 030 CABRIO<br>M 030 TARGA |      |                |  |         |     |       |
|     | 504            | marked<br>green<br>red   |            |        |                             |      |                |  |         |     |       |

|       |      |    |    |              |              |        |       |            |         |     |         |
|-------|------|----|----|--------------|--------------|--------|-------|------------|---------|-----|---------|
| Model | Year | MG | SG | Illustration | Restrictions | Update | 11:25 | 25.11.2005 | PORSCHE | PET | PORSCHE |
| 996   | 05   | 4  | 02 | 402-01       |              | 194    |       |            |         |     |         |



| Pos | Part Number    | Name                                 | Remarks | Qty | Model                 |
|-----|----------------|--------------------------------------|---------|-----|-----------------------|
|     |                | springs<br>shock absorber strut      | 99-     |     | M 339                 |
| 1   | 996 343 043 02 | shock absorber                       | -01     | 2   |                       |
| (1) | 996 343 043 22 | shock absorber                       | 02-     | 2   |                       |
| (1) | 996 343 043 13 | shock absorber                       | -01     | 2   | M 030                 |
| (1) | 996 343 043 23 | shock absorber                       | 02-     | 2   | M 030                 |
| (1) | 996 343 043 26 | shock absorber                       | 02-     | 2   | C 4-S<br>COUPE        |
| (1) | 996 343 043 29 | shock absorber                       | 04-     | 2   | C 4-S<br>CABRIO       |
| (1) | 996 343 980 12 | shock absorber                       | -01     | 2   | X74                   |
| (1) | 996 343 980 21 | shock absorber                       | 02-     | 2   | X74                   |
| (1) | 996 343 980 34 | shock absorber                       | 03-     | 2   | X73<br>C 4-S<br>COUPE |
| -   | 900 378 138 09 | hexagon-head bolt<br>M 12 X 1,5 X 70 |         | 2   |                       |
| -   | 999 084 445 09 | hexagon nut<br>M 12 X 1,5            |         | 2   |                       |
| 2   | 996 343 521 01 | concave washer                       |         | 2   |                       |
| 3   | 996 343 507 02 | concave washer                       | /L      | 1   |                       |
| (3) | 996 343 508 02 | concave washer                       | /R      | 1   |                       |
| 4   | 996 343 533 04 | coil spring<br>1 set                 | -01     | 1   | COUPE                 |
|     | 504            | marked<br>violet<br>silver           |         |     |                       |
| (4) | 996 343 533 20 | coil spring<br>1 set                 | 02-     | 1   | COUPE                 |
|     | 504            | marked<br>violet<br>silver           |         |     |                       |
| (4) | 996 343 533 05 | coil spring<br>1 set                 | -01     | 1   | CABRIO                |
|     | 504            | marked<br>violet<br>orange           |         |     |                       |

|       |      |    |    |              |              |        |       |            |         |     |         |
|-------|------|----|----|--------------|--------------|--------|-------|------------|---------|-----|---------|
| Model | Year | MG | SG | Illustration | Restrictions | Update | 11:25 | 25.11.2005 | PORSCHE | PET | PORSCHE |
| 996   | 05   | 4  | 02 | 402-01       |              | 194    |       |            |         |     |         |

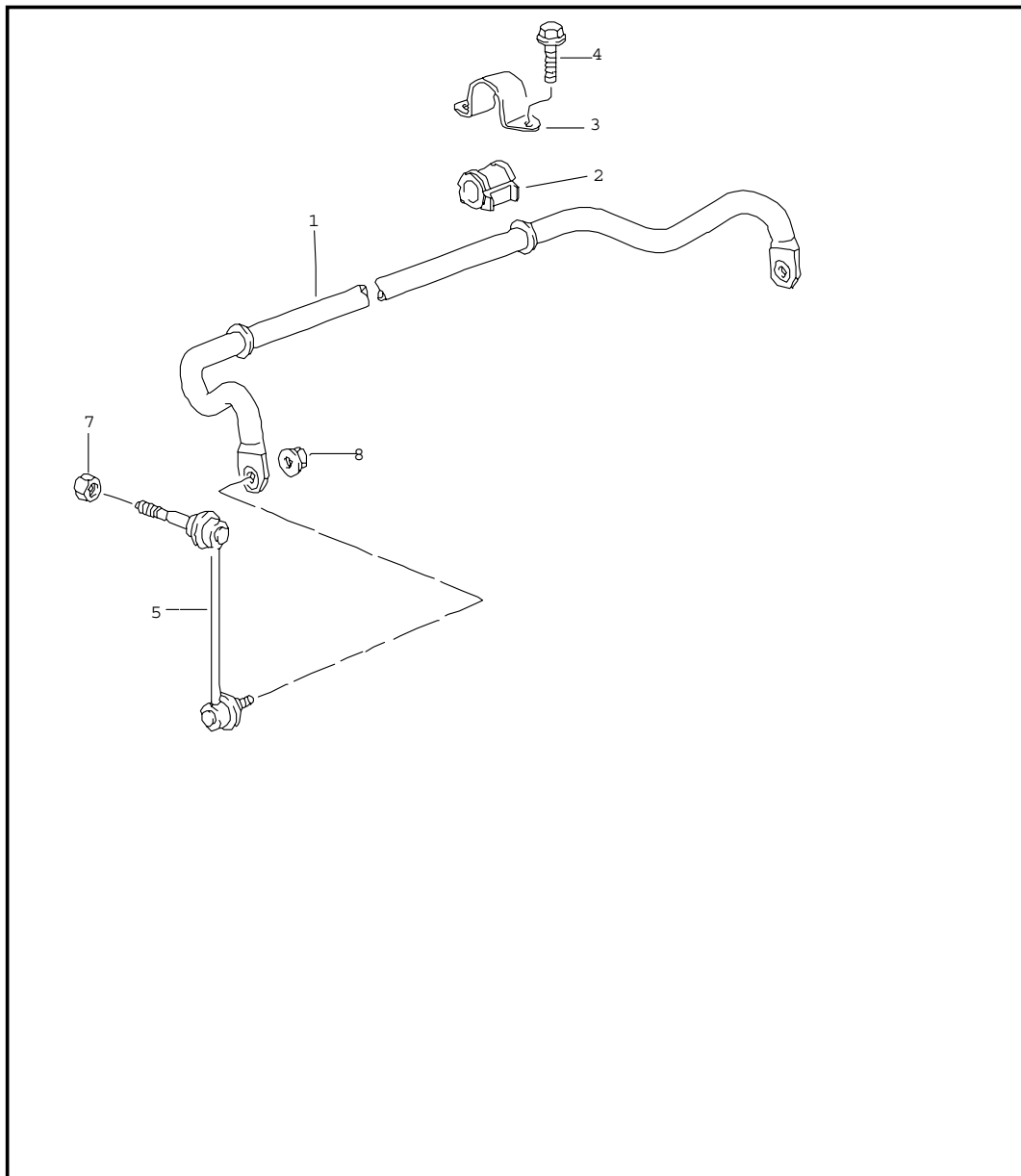
| Pos | Part Number    | Name   | Remarks | Qty | Model           | Pos  | Part Number    | Name   | Remarks | Qty | Model                 |
|-----|----------------|--|---------|-----|-----------------|------|----------------|--|---------|-----|-----------------------|
| (4) | 996 343 533 21 | coil spring<br>1 set                                     | 02-     | 1   | CABRIO          | (4)  | 996 343 980 26 | coil spring<br>1 set                                     |         | 1   | X74                   |
|     | 504            | marked<br>violet<br>orange                               |         |     |                 |      | 504            | marked<br>pale orange<br>creamy white<br>F 992S6 03566>> |         |     |                       |
| (4) | 996 343 533 14 | coil spring<br>1 set                                     | -01     | 1   | COUPE<br>M 030  | (4)  | 996 343 980 27 | coil spring<br>1 set                                     | 03-     | 1   | X73<br>C 4-S          |
|     | 504            | marked<br>lilac<br>silver                                |         |     |                 |      | 504            | marked<br>blue<br>silver                                 |         |     | COUPE                 |
| (4) | 996 343 533 24 | coil spring<br>1 set                                     | 02-     | 1   | COUPE<br>M 030  | 5    | 996 343 509 01 | bellows  |         | 2   |                       |
|     | 504            | marked<br>lilac<br>silver                                |         |     |                 | 6    | 996 343 301 02 | additional spring  |         | 2   |                       |
| (4) | 996 343 533 15 | coil spring<br>1 set                                     | -01     | 1   | CABRIO<br>M 030 | (6)  | 996 343 980 09 | additional spring  | -01     | 2   | X74                   |
|     | 504            | marked<br>lilac<br>orange                                |         |     |                 | (6)  | 996 343 980 09 | additional spring  | 02-     | 2   | X74                   |
| (4) | 996 343 533 25 | coil spring<br>1 set                                     | 02-     | 1   | CABRIO<br>M 030 | (6)  | 996 343 980 09 | additional spring  | 03-     | 2   | X73<br>C 4-S<br>COUPE |
|     | 504            | marked<br>lilac<br>orange                                |         |     |                 | 7    | 996 343 513 00 | cone washer  |         | 2   |                       |
| (4) | 996 343 533 30 | coil spring<br>1 set                                     | 02-     | 1   | C 4-S           | 8    | 996 343 107 02 | stop plate   | -99     | 2   |                       |
|     | 504            | marked<br>lilac<br>orange                                |         |     |                 | (8)  | 996 343 107 03 | stop plate   | 00-     | 2   |                       |
| (4) | 996 343 533 13 | coil spring<br>1 set                                     | -01     | 1   | X74             | 9    | 996 343 525 00 | base<br>3,0 MM   |         | X   |                       |
|     | 504            | marked<br>pink<br>blue                                   |         |     |                 | (9)  | 996 343 525 01 | base<br>6,5 MM   |         | X   |                       |
| (4) | 996 343 980 13 | coil spring<br>1 set                                     | 02-     | 1   | X74             | 10   | 996 343 523 00 | support ring   |         | 1   |                       |
|     | 504            | marked<br>pale orange<br>creamy white                    |         |     |                 | 11   | 996 343 501 00 | angular-contact bearing                                  |         | 1   |                       |
| (4) | 996 343 980 13 | coil spring<br>1 set                                     | 02-     | 1   | X74             | 12   | 996 343 015 04 | supporting mount   | /L      | 1   |                       |
|     | 504            | marked<br>pale orange<br>creamy white<br>F >>992S6 03565 |         |     |                 | (12) | 996 343 980 15 | supporting mount   | /L -01  | 1   | X74                   |
|     |                |  |         |     |                 | (12) | 996 343 980 15 | supporting mount   | /L 02-  | 1   | X74                   |
|     |                |  |         |     |                 | (12) | 996 343 980 15 | supporting mount   | /L 03-  | 1   | X73<br>C 4-S<br>COUPE |
|     |                |  |         |     |                 | (12) | 996 343 016 04 | supporting mount   | /R      | 1   |                       |
|     |                |  |         |     |                 | (12) | 996 343 980 16 | supporting mount   | /R -01  | 1   | X74                   |
|     |                |  |         |     |                 | (12) | 996 343 980 16 | supporting mount   | /R 02-  | 1   | X74                   |

|       |      |    |    |              |              |        |       |            |         |     |         |
|-------|------|----|----|--------------|--------------|--------|-------|------------|---------|-----|---------|
| Model | Year | MG | SG | Illustration | Restrictions | Update | 11:25 | 25.11.2005 | PORSCHE | PET | PORSCHE |
| 996   | 05   | 4  | 02 | 402-01       |              | 194    |       |            |         |     |         |

| Pos  | Part Number    | Name                          | Remarks | Qty | Model                 | Pos | Part Number | Name | Remarks | Qty | Model |
|------|----------------|-------------------------------|---------|-----|-----------------------|-----|-------------|------|---------|-----|-------|
| (12) | 996 343 980 16 | supporting mount              | /R 03-  | 1   | X73<br>C 4-S<br>COUPE |     |             |      |         |     |       |
| -    | 999 084 447 09 | hexagon nut<br>M 8            |         | 6   |                       |     |             |      |         |     |       |
| 13   | 900 380 012 09 | hexagon nut<br>M 14 X 1,5     |         | 2   |                       |     |             |      |         |     |       |
| 14   | 900 378 191 09 | hexagon-head bolt<br>M 6 X 55 |         | 2   |                       |     |             |      |         |     |       |
| 15   | 900 377 010 09 | hexagon nut<br>M 6            |         | 2   |                       |     |             |      |         |     |       |
|      |                | - - - E N D - - -             |         |     |                       |     |             |      |         |     |       |



|       |      |    |    |              |              |        |       |            |         |     |         |
|-------|------|----|----|--------------|--------------|--------|-------|------------|---------|-----|---------|
| Model | Year | MG | SG | Illustration | Restrictions | Update | 11:25 | 25.11.2005 | PORSCHE | PET | PORSCHE |
| 996   | 05   | 4  | 02 | 402-05       |              | 194    |       |            |         |     |         |

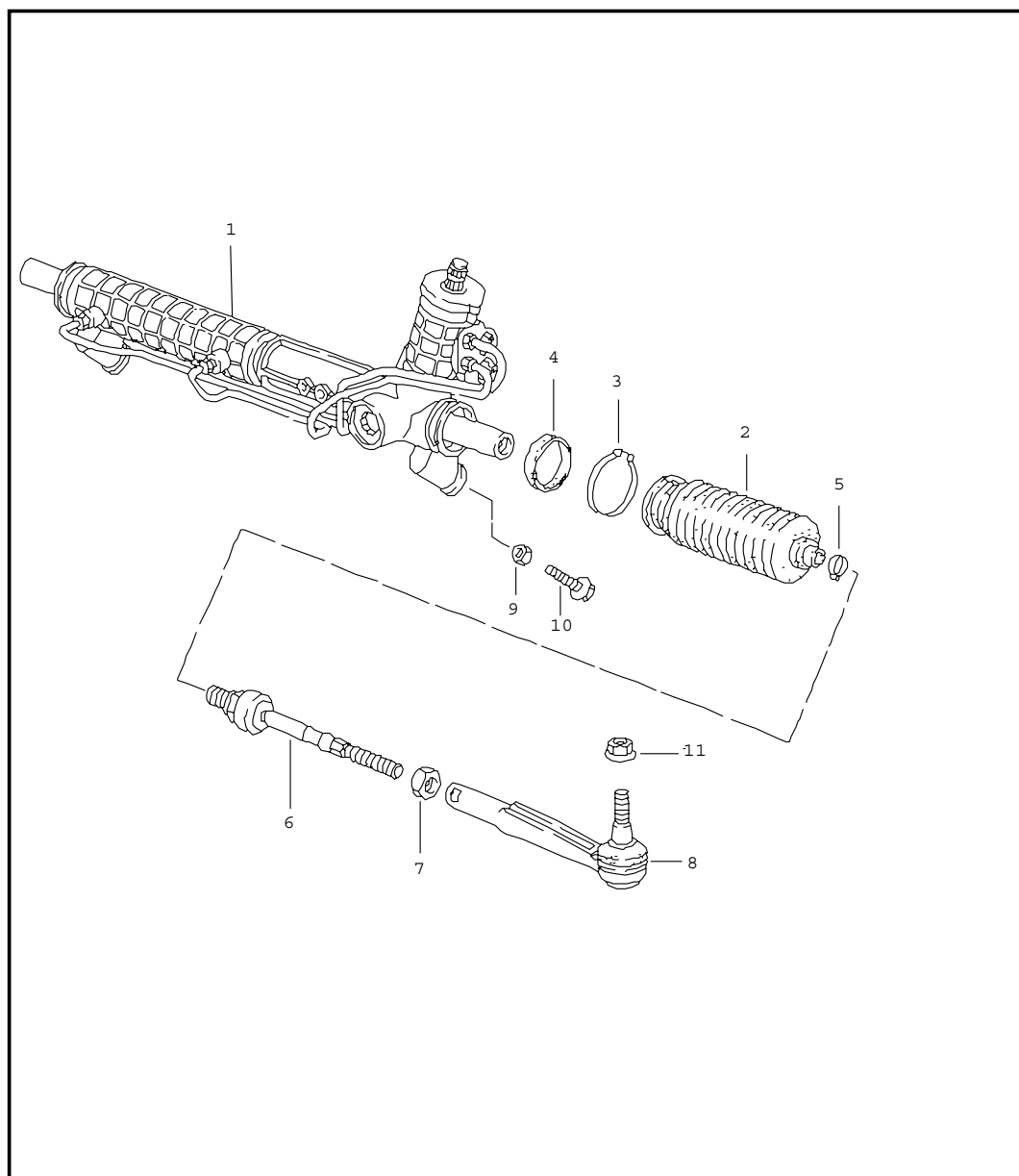


| Pos   | Part Number    | Name                | Remarks           | Qty         | Model                                |
|-------|----------------|---------------------|-------------------|-------------|--------------------------------------|
|       |                | stabiliser          |                   |             |                                      |
| 1     | 996 343 701 09 | stabiliser          |                   | 1           | COUPE<br>M 480                       |
| (1) A | 996 343 701 04 | stabiliser          |                   | 1           | COUPE<br>M 249                       |
|       |                |                     |                   | 1           | COUPE<br>M 030                       |
|       |                |                     |                   | 1           | CABRIO<br>M 030                      |
|       |                |                     | 99-               | 1           | CABRIO<br>M 030<br>X74/338           |
| (1)   | 996 343 701 21 | stabiliser          |                   | 1           | COUPE<br>M 249                       |
|       |                |                     |                   | 1           | COUPE<br>M 030                       |
|       |                |                     | 99-               | 1           | CABRIO<br>M 030<br>X74/338           |
| (1)   | 996 343 701 04 | stabiliser          | 02-               | 1           | TARGA<br>M 480                       |
| (1)   | 996 343 701 20 | stabiliser          | 02-               | 1           | TARGA<br>M 249                       |
| (1) A | 996 343 701 10 | stabiliser          | 02-               | 1           | TARGA<br>M 030                       |
| (1)   | 996 343 701 23 | stabiliser          | 02-               | 1           | TARGA<br>M 030                       |
| (1)   | 996 343 703 00 | stabiliser          | 99-               | 1           | M 339                                |
| (1)   | 996 343 703 02 | stabiliser          | 99-<br>00-<br>02- | 1<br>1<br>1 | M 030/339<br>X74/339<br>C 4-S        |
| 2     | 996 343 792 14 | stabiliser mounting |                   | 2           | COUPE<br>M 480                       |
| (2)   | 996 343 792 12 | stabiliser mounting |                   | 2           | COUPE<br>M 249                       |
|       |                |                     |                   | 2           | COUPE<br>M 030                       |
|       |                |                     |                   | 2           | CABRIO<br>M 030                      |
| (2)   | 996 343 792 11 | stabiliser mounting | 99-               | 2           | M 339                                |
| (2)   | 996 343 792 12 | stabiliser mounting | 99-<br>02-<br>02- | 2<br>2<br>2 | M 030/339<br>C 4-S<br>TARGA<br>M 480 |

|       |      |    |    |              |              |        |       |            |         |     |         |
|-------|------|----|----|--------------|--------------|--------|-------|------------|---------|-----|---------|
| Model | Year | MG | SG | Illustration | Restrictions | Update | 11:25 | 25.11.2005 | PORSCHE | PET | PORSCHE |
| 996   | 05   | 4  | 02 | 402-05       |              | 194    |       |            |         |     |         |

| Pos | Part Number    | Name                           | Remarks | Qty | Model          | Pos | Part Number | Name | Remarks | Qty | Model |
|-----|----------------|--------------------------------|---------|-----|----------------|-----|-------------|------|---------|-----|-------|
| (2) | 996 343 792 17 | stabiliser mounting            | 02-     | 2   | TARGA<br>M 249 |     |             |      |         |     |       |
|     |                |                                | 02-     | 2   | TARGA<br>M 030 |     |             |      |         |     |       |
| 3   | 996 343 777 01 | clip                           |         | 2   |                |     |             |      |         |     |       |
| 4   | 900 378 070 09 | hexagon-head bolt<br>M 10 X 30 |         | 4   |                |     |             |      |         |     |       |
| 5   | 996 343 069 02 | stabiliser mounting            | /L -99  | 1   |                |     |             |      |         |     |       |
| (5) | 996 343 069 03 | stabiliser mounting            | /L 00-  | 1   |                |     |             |      |         |     |       |
| (5) | 996 343 070 02 | stabiliser mounting            | /R -99  | 1   |                |     |             |      |         |     |       |
| (5) | 996 343 070 03 | stabiliser mounting            | /R 00-  | 1   |                |     |             |      |         |     |       |
| (5) | 996 343 073 03 | stabiliser mounting            | 99-     | 2   | M 339          |     |             |      |         |     |       |
| (5) | 996 343 073 04 | stabiliser mounting            | 00-     | 2   | M 339          |     |             |      |         |     |       |
| 7   | 999 084 445 09 | hexagon nut<br>M 12 X 1,5      |         | 2   |                |     |             |      |         |     |       |
| 8   | 999 084 643 09 | hexagon nut<br>M10             |         | 2   |                |     |             |      |         |     |       |
|     |                | - - - E N D - - -              |         |     |                |     |             |      |         |     |       |

|       |      |    |    |              |              |        |       |            |         |     |         |
|-------|------|----|----|--------------|--------------|--------|-------|------------|---------|-----|---------|
| Model | Year | MG | SG | Illustration | Restrictions | Update | 11:26 | 25.11.2005 | PORSCHE | PET | PORSCHE |
| 996   | 05   | 4  | 03 | 403-00       |              | 194    |       |            |         |     |         |

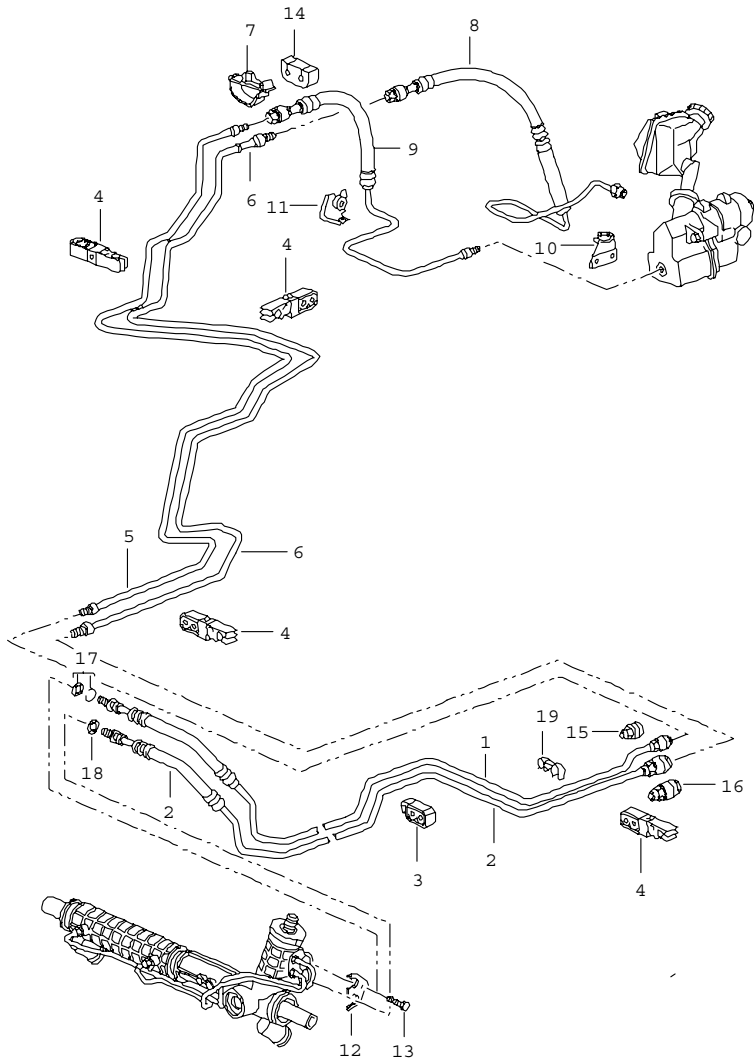


| Pos | Part Number      | Name  | Remarks | Qty | Model |
|-----|------------------|---|---------|-----|-------|
|     |                  | power steering<br>steering gear<br>steering parts                               |         |     |       |
| 1   | A 996 347 011 05 | steering gear<br>power steering   | /LL     | 1   |       |
| (1) | A 996 347 011 06 | steering gear<br>power steering   | /LL     | 1   |       |
| (1) | > 996 347 011 07 | steering gear<br>power steering   | /LL     | 1   |       |
| (1) | A 996 347 012 05 | steering gear<br>power steering   | /RL     | 1   |       |
| (1) | A 996 347 012 07 | steering gear<br>power steering   | /RL     | 1   |       |
| (1) | > 996 347 012 08 | steering gear<br>power steering   | /RL     | 1   |       |
| -   | A 996 347 110 01 | clip<br>pinion<br>steering gear   | -03     | 1   |       |
| -   | 996 347 110 02   | clip<br>pinion<br>steering gear   | 04-     | 1   |       |
| 2   | 996 347 191 02   | bellows<br>for<br>steering gear<br>996.347.011.05<br>996.347.012.05             |         | 2   |       |
| (2) | 996 347 191 04   | bellows<br>for<br>steering gear<br>996.347.011.06/07<br>996.347.012.07/08       |         | 2   |       |
| 3   | 996 347 293 03   | clamping ring<br>for<br>steering gear<br>996.347.011.05<br>996.347.012.05       |         | 2   |       |
| (3) | 996 347 293 04   | clamping ring<br>for<br>steering gear<br>996.347.011.06/07<br>996.347.012.07/08 |         | 2   |       |

|       |      |    |    |              |              |        |       |            |         |     |         |
|-------|------|----|----|--------------|--------------|--------|-------|------------|---------|-----|---------|
| Model | Year | MG | SG | Illustration | Restrictions | Update | 11:26 | 25.11.2005 | PORSCHE | PET | PORSCHE |
| 996   | 05   | 4  | 03 | 403-00       |              | 194    |       |            |         |     |         |

| Pos | Part Number    | Name   | Remarks | Qty | Model | Pos | Part Number | Name | Remarks | Qty | Model |
|-----|----------------|--|---------|-----|-------|-----|-------------|------|---------|-----|-------|
| 4   | 996 347 373 00 | sealing ring<br>for<br>steering gear<br>996.347.011.05<br>996.347.012.05       |         | 2   |       |     |             |      |         |     |       |
| (4) | 996 347 373 00 | sealing ring<br>for<br>steering gear<br>996.347.011.06/07<br>996.347.012.07/08 |         | 2   |       |     |             |      |         |     |       |
| 5   | 999 512 645 09 | clamping ring  |         | 2   |       |     |             |      |         |     |       |
| 6   | 996 347 322 03 | joint  |         | 2   |       |     |             |      |         |     |       |
| 7   | 999 034 037 09 | hexagon nut<br>M 14 X 1,5  |         | 2   |       |     |             |      |         |     |       |
| 8   | 996 347 131 03 | track rod  | -99     | 2   |       |     |             |      |         |     |       |
| (8) | 996 347 131 04 | track rod  | 00-     | 2   |       |     |             |      |         |     |       |
| 9   | -              | see illustrations<br>4/01/00<br>POS.2  |         |     |       |     |             |      |         |     |       |
| 10  | 900 378 100 09 | hexagon-head bolt<br>AM 10 X 45  |         | 2   |       |     |             |      |         |     |       |
| 11  | 999 084 449 09 | hexagon nut<br>M 12 X 1,5  |         | 2   |       |     |             |      |         |     |       |
|     |                | - - - E N D - - -  |         |     |       |     |             |      |         |     |       |

|       |      |    |    |              |              |        |       |            |         |     |         |
|-------|------|----|----|--------------|--------------|--------|-------|------------|---------|-----|---------|
| Model | Year | MG | SG | Illustration | Restrictions | Update | 11:26 | 25.11.2005 | PORSCHE | PET | PORSCHE |
| 996   | 05   | 4  | 03 | 403-01       |              | 194    |       |            |         |     |         |



| Pos   | Part Number    | Name                 | Remarks | Qty | Model |
|-------|----------------|----------------------|---------|-----|-------|
|       |                | power steering lines |         |     |       |
|       |                | F >>994S6 30356      |         |     |       |
|       |                | F >>994S6 03928      |         |     |       |
|       |                | F >>994S6 42725      |         |     |       |
| 1     | 996 347 451 08 | pressure line        | /LL -01 | 1   | M 338 |
| (1)   | 996 347 451 10 | pressure line        | /LL 02  | 1   | M 338 |
| (1)   | 996 347 451 10 | pressure line        | /LL 03- | 1   | M 338 |
| (1)   | 996 347 451 27 | pressure line        | /LL 99  | 1   | M 339 |
| (1)   | 996 347 451 28 | pressure line        | /LL -01 | 1   | M 339 |
| (1) A | 996 347 451 29 | pressure line        | /LL 02  | 1   | M 339 |
| (1)   | 996 347 451 32 | pressure line        | /LL 03- | 1   | M 339 |
| (1)   | 996 347 452 04 | pressure line        | /RL -01 | 1   | M 338 |
| (1) A | 996 347 452 07 | pressure line        | /RL 02  | 1   | M 338 |
| (1)   | 996 347 452 08 | pressure line        | /RL 03- | 1   | M 338 |
| (1)   | 996 347 452 06 | pressure line        | /RL -01 | 1   | M 339 |
| (1) A | 996 347 452 25 | pressure line        | /RL 02  | 1   | M 339 |
| (1)   | 996 347 452 27 | pressure line        | /RL 03- | 1   | M 339 |
| 2     | 996 347 449 06 | return line          | /LL -01 | 1   | M 338 |
| (2)   | 996 347 449 09 | return line          | /LL 02- | 1   | M 338 |
| (2)   | 996 347 449 27 | return line          | /LL -01 | 1   | M 339 |
| (2)   | 996 347 449 30 | return line          | /LL 02  | 1   | M 339 |
| (2)   | 996 347 449 31 | return line          | /LL 03- | 1   | M 339 |
| (2)   | 996 347 450 03 | return line          | /RL -01 | 1   | M 338 |
| (2)   | 996 347 450 06 | return line          | /RL 02- | 1   | M 338 |
| (2)   | 996 347 450 05 | return line          | /RL -01 | 1   | M 339 |
| (2)   | 996 347 450 25 | return line          | /RL 02- | 1   | M 339 |
| 3     | 996 347 543 00 | support              |         | X   |       |
| (3)   | 996 347 553 00 | support              | /RL 02- | 1   | TARGA |
| 4     | 996 355 543 00 | support              |         | 1   |       |

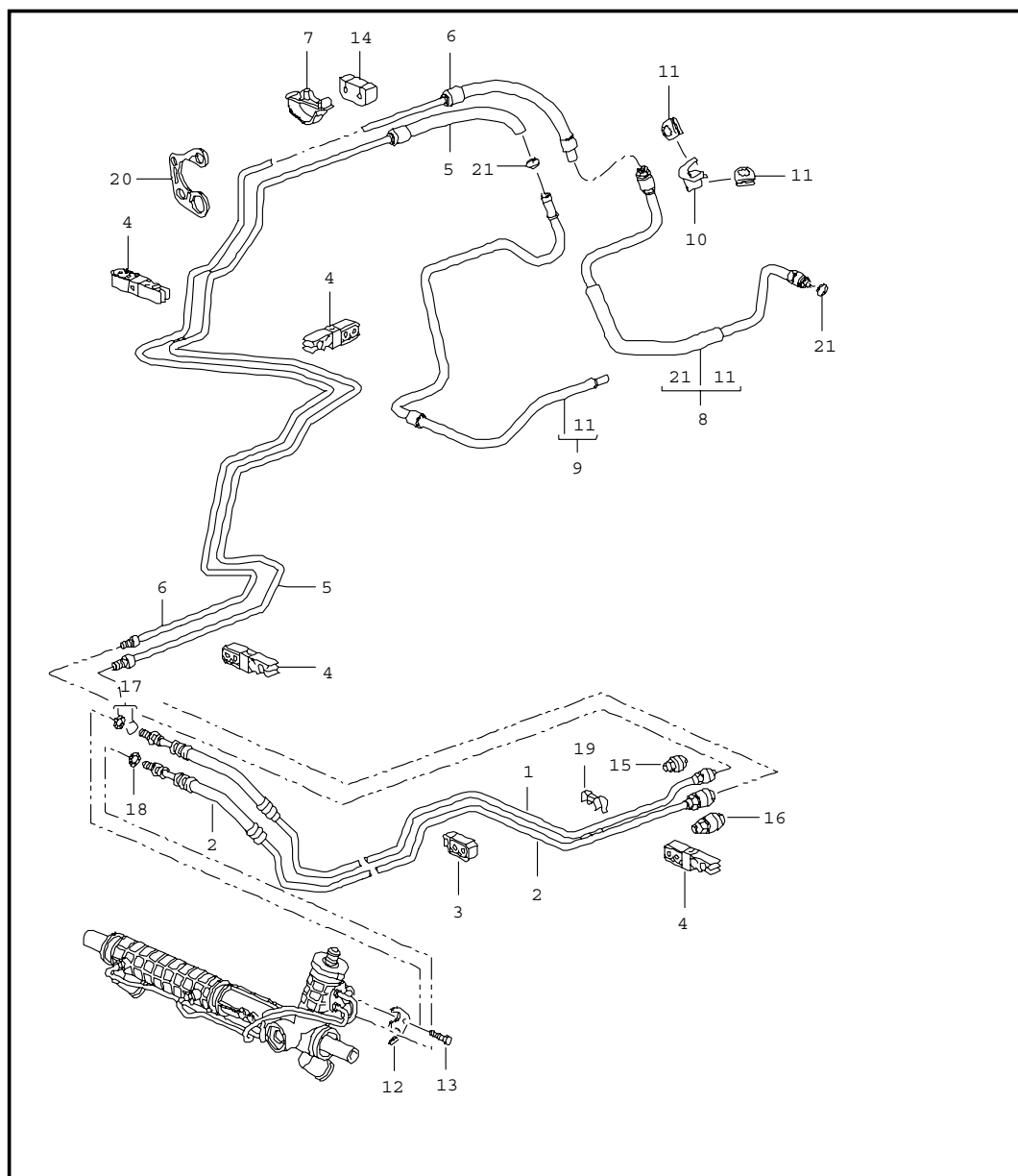
|       |      |    |    |              |              |        |       |            |         |     |         |
|-------|------|----|----|--------------|--------------|--------|-------|------------|---------|-----|---------|
| Model | Year | MG | SG | Illustration | Restrictions | Update | 11:26 | 25.11.2005 | PORSCHE | PET | PORSCHE |
| 996   | 05   | 4  | 03 | 403-01       |              | 194    |       |            |         |     |         |

| Pos | Part Number    | Name   | Remarks | Qty | Model | Pos  | Part Number    | Name  | Remarks | Qty | Model |
|-----|----------------|--|---------|-----|-------|------|----------------|---|---------|-----|-------|
| -   | 996 347 674 00 | support<br>pressure line<br>return line  | /RL     | 1   |       | (9)  | 996 347 441 03 | return line<br>rear   | 02-     | 1   |       |
| 5   | 996 347 539 04 | return line<br>centre<br>F >>99XS6 06898<br>F >>99XS6 44623                    |         | 1   |       | - A  | 999 230 540 10 | threaded joint<br>NW 10   |         | 1   |       |
| (5) | 996 347 539 05 | return line<br>centre<br>F 99XS6 06899>><br>F 99XS6 44624>>                    | -01     | 1   |       | - A  | 999 230 539 10 | threaded joint<br>NW 6  |         | 1   |       |
| (5) | 996 347 539 51 | return line<br>centre  | 02-     | 1   |       | -    | 999 230 552 10 | threaded joint<br>NW 6  |         | 1   |       |
| 6   | 996 347 545 04 | pressure line<br>centre<br>F >>99XS6 06898<br>F >>99XS6 44623                  |         | 1   |       | -    | 999 230 685 40 | circlip<br>for<br>threaded joint  |         | 1   |       |
| 6   | 996 347 545 05 | pressure line<br>centre<br>F 99XS6 06899>><br>F 99XS6 44624>>                  | -01     | 1   |       | 10   | 996 347 747 02 | support   | -01     | 1   |       |
| (6) | 996 347 545 52 | pressure line<br>centre  | 02-     | 1   |       | (10) | 996 347 747 04 | support   | 02-     | 1   |       |
| 7   | 996 347 549 01 | support  |         | 2   |       | 11   | 996 347 749 03 | support   | -01     | 1   |       |
| 8   | 996 347 443 02 | pressure line<br>rear  | -01     | 1   |       | (11) | 996 347 749 04 | support   | 02-     | 1   |       |
| -   | 999 707 429 40 | sealing ring<br>pressure line  |         | X   |       | 12   | 996 347 769 01 | support   |         | 1   |       |
| (8) | 996 347 443 05 | pressure line<br>rear<br>F >>992S6 08512<br>F >>992S6 31981<br>F >>992S6 45199 |         | 1   |       | 13   | 900 067 063 02 | pan-head screw<br>M 10 X 20   |         | 1   |       |
| -   | 999 707 503 40 | sealing ring<br>pressure line  |         | 1   |       | 14   | 996 347 551 01 | retainer plate<br><br>mount<br>pressure line<br>return line<br>power steering |         | 1   |       |
| (8) | 996 347 443 06 | pressure line<br>rear<br>F 992S6 08513>><br>F 992S6 31982>><br>F 992S6 45200>> |         | 1   |       | -    | 996 347 671 01 | support<br>left   | /RL     | 1   |       |
| -   | 999 707 503 40 | sealing ring<br>pressure line  |         | 1   |       | -    | 996 347 672 01 | support<br>right  | /RL     | 1   |       |
| (8) | 996 347 443 06 | pressure line<br>rear<br>F 992S6 08513>><br>F 992S6 31982>><br>F 992S6 45200>> |         | 1   |       | -    | 996 347 771 02 | support<br>left   | /RL 02- | 1   | C 4-S |
| -   | 999 707 503 40 | sealing ring<br>pressure line  |         | 1   |       | -    | 996 347 672 02 | support<br>right  | /RL 02- | 1   | C 4-S |
| 9   | 996 347 441 02 | return line<br>rear  | -01     | 1   |       | -    | 997 347 544 00 | support<br>lines<br>mount<br>bracket  |         | 1   |       |
|     |                |  |         |     |       | 15   | 999 230 539 10 | threaded joint  |         | 1   |       |

|       |      |    |    |              |              |        |       |            |         |     |         |
|-------|------|----|----|--------------|--------------|--------|-------|------------|---------|-----|---------|
| Model | Year | MG | SG | Illustration | Restrictions | Update | 11:26 | 25.11.2005 | PORSCHE | PET | PORSCHE |
| 996   | 05   | 4  | 03 | 403-01       |              | 194    |       |            |         |     |         |

| Pos | Part Number    | Name                  | Remarks | Qty | Model | Pos | Part Number | Name | Remarks | Qty | Model |
|-----|----------------|-----------------------|---------|-----|-------|-----|-------------|------|---------|-----|-------|
| 16  | 999 230 540 10 | threaded joint        |         | 1   |       |     |             |      |         |     |       |
| 17  | 999 230 543 40 | repair kit<br>gaskets |         | 1   |       |     |             |      |         |     |       |
| 18  | 999 230 542 40 | o-ring                |         | 1   |       |     |             |      |         |     |       |
| 19  | 999 507 575 40 | support<br>9,0/13,0   |         | 1   |       |     |             |      |         |     |       |
|     |                | - - - E N D - - -     |         |     |       |     |             |      |         |     |       |

|       |      |    |    |              |              |        |       |            |         |     |         |
|-------|------|----|----|--------------|--------------|--------|-------|------------|---------|-----|---------|
| Model | Year | MG | SG | Illustration | Restrictions | Update | 11:26 | 25.11.2005 | PORSCHE | PET | PORSCHE |
| 996   | 05   | 4  | 03 | 403-02       |              | 194    |       |            |         |     |         |



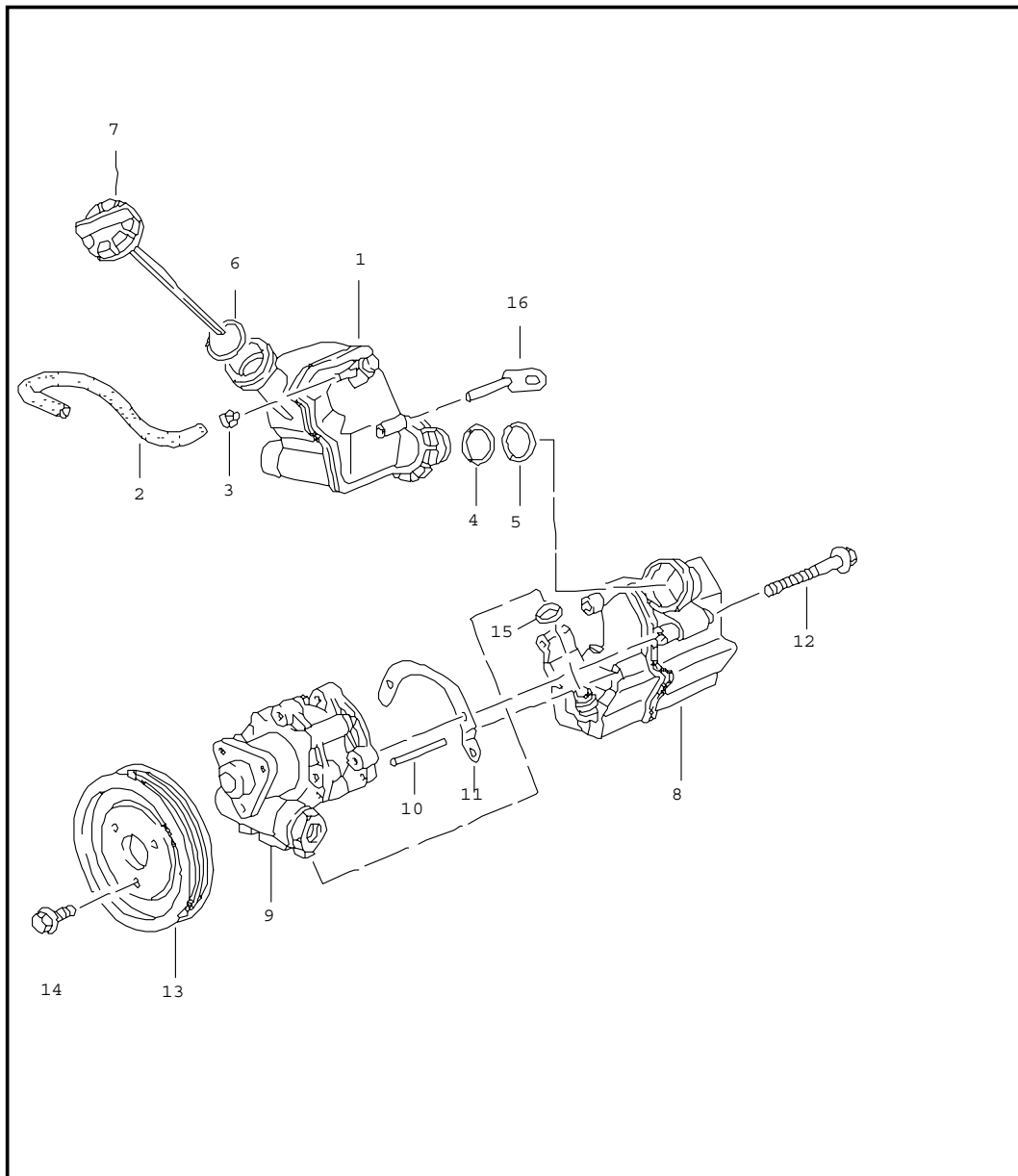
| Pos | Part Number    | Name  | Remarks | Qty | Model |
|-----|----------------|---|---------|-----|-------|
|     |                | power steering lines<br>F 99486 30357>><br>F 99486 03929>><br>F 99486 42726>> |         |     |       |
| (1) | 996 347 451 10 | pressure line   | /LL     | 1   | M 338 |
| (1) | 996 347 451 32 | pressure line   | /LL     | 1   | M 339 |
| (1) | 996 347 452 08 | pressure line   | /RL     | 1   | M 338 |
| (1) | 996 347 452 27 | pressure line   | /RL     | 1   | M 339 |
| (2) | 996 347 449 09 | return line   | /LL     | 1   | M 338 |
| (2) | 996 347 449 31 | return line   | /LL     | 1   | M 339 |
| (2) | 996 347 450 06 | return line   | /RL     | 1   | M 338 |
| (2) | 996 347 450 25 | return line   | /RL     | 1   | M 339 |
| 3   | 996 347 543 00 | support   |         | X   |       |
| (3) | 996 347 553 00 | support   | /RL     | 1   | TARGA |
| 4   | 996 355 543 00 | support   |         | 1   |       |
| -   | 996 347 674 00 | support<br>pressure line<br>return line                                       | /RL     | 1   |       |
| (5) | 996 347 439 26 | return line<br>centre   |         | 1   |       |
| (6) | 996 347 445 26 | pressure line<br>centre   | <       | 1   |       |
| -   | 999 230 578 40 | circlip<br>for<br>threaded joint<br>return line                               |         | X   |       |
| 7   | 996 347 549 01 | support<br>pressure line  |         | 2   |       |
| (8) | 996 347 443 25 | pressure line<br>rear   |         | 1   |       |
| -   | 999 707 503 40 | sealing ring<br>pressure line   |         | 1   |       |
| (9) | 996 347 441 25 | return line<br>rear   |         | 1   |       |
| -   | 999 230 683 40 | circlip<br>for<br>threaded joint  |         | 1   |       |



|       |      |    |    |              |              |        |       |            |         |     |         |
|-------|------|----|----|--------------|--------------|--------|-------|------------|---------|-----|---------|
| Model | Year | MG | SG | Illustration | Restrictions | Update | 11:26 | 25.11.2005 | PORSCHE | PET | PORSCHE |
| 996   | 05   | 4  | 03 | 403-02       |              | 194    |       |            |         |     |         |

| Pos | Part Number    | Name  | Remarks | Qty | Model | Pos | Part Number | Name | Remarks | Qty | Model |
|-----|----------------|---|---------|-----|-------|-----|-------------|------|---------|-----|-------|
| 10  | 997 347 749 00 | support   |         | 1   |       |     |             |      |         |     |       |
| 11  | 999 702 210 40 | support   |         | 1   |       |     |             |      |         |     |       |
| 12  | 996 347 769 01 | support   |         | 1   |       |     |             |      |         |     |       |
| 13  | 900 067 063 02 | pan-head screw<br>M 10 X 20                             |         | 1   |       |     |             |      |         |     |       |
| 14  | 996 347 551 01 | retainer plate  |         | 1   |       |     |             |      |         |     |       |
|     |                | mount<br>pressure line<br>return line<br>power steering |         |     |       |     |             |      |         |     |       |
| -   | 996 347 671 01 | support<br>left   | /RL     | 1   |       |     |             |      |         |     |       |
| -   | 996 347 672 01 | support<br>right  | /RL     | 1   |       |     |             |      |         |     |       |
| -   | 996 347 771 02 | support<br>left   | /RL     | 1   | C 4-S |     |             |      |         |     |       |
| -   | 996 347 672 02 | support<br>right  | /RL     | 1   | C 4-S |     |             |      |         |     |       |
| 15  | 999 230 539 10 | threaded joint  |         | 1   |       |     |             |      |         |     |       |
| 16  | 999 230 540 10 | threaded joint  |         | 1   |       |     |             |      |         |     |       |
| 17  | 999 230 543 40 | repair kit<br>gaskets                                   |         | 1   |       |     |             |      |         |     |       |
| 18  | 999 230 542 40 | o-ring  |         | 1   |       |     |             |      |         |     |       |
| 19  | 999 507 091 40 | support   |         | 1   |       |     |             |      |         |     |       |
| 20  | 997 347 544 00 | support   |         | 1   |       |     |             |      |         |     |       |
| 21  | 999 512 639 09 | clip  |         | 1   |       |     |             |      |         |     |       |
|     |                | - - - E N D - - -                                       |         |     |       |     |             |      |         |     |       |

|       |      |    |    |              |              |        |       |            |         |     |         |
|-------|------|----|----|--------------|--------------|--------|-------|------------|---------|-----|---------|
| Model | Year | MG | SG | Illustration | Restrictions | Update | 11:26 | 25.11.2005 | PORSCHE | PET | PORSCHE |
| 996   | 05   | 4  | 03 | 403-03       |              | 194    |       |            |         |     |         |

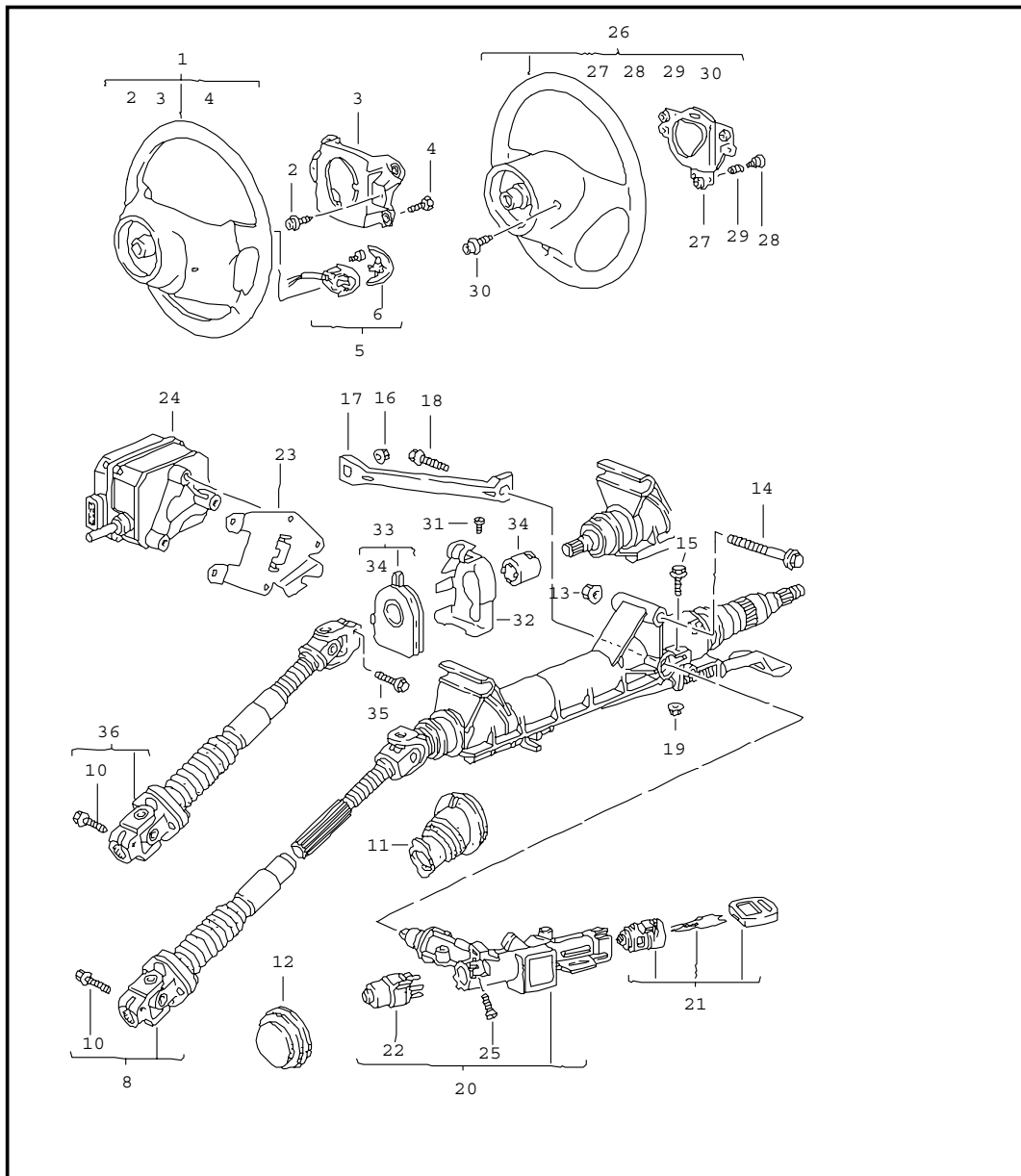


| Pos  | Part Number      | Name   | Remarks | Qty | Model     |
|------|------------------|--|---------|-----|-----------|
|      |                  | power steering<br>power-steering pump<br>container |         |     |           |
| 1    | 996 314 225 02   | expansion tank                                     |         | 1   |           |
|      |                  | M >> 664 01953                                     |         |     |           |
|      |                  | M >> 684 00519                                     |         |     |           |
| (1)  | 997 314 225 00   | expansion tank                                     |         | 1   |           |
|      |                  | M 664 01954 >>                                     |         |     |           |
|      |                  | M 684 00520 >>                                     |         |     |           |
| 2    | A 996 314 545 00 | hose   | 98      | 1   |           |
| (2)  | 996 314 545 01   | hose   | 99-     | 1   |           |
|      |                  | M >> 664 01953                                     |         |     |           |
|      |                  | M >> 684 00519                                     |         |     |           |
| -    | 999 507 658 09   | cable holder                                       | 99-     | 1   |           |
| 3    | 999 512 527 00   | terminal   |         | 1   |           |
|      |                  | M >> 664 01953                                     |         |     |           |
|      |                  | M >> 684 00519                                     |         |     |           |
| 4    | 999 707 362 40   | o-ring   |         | 1   |           |
| 5    | 999 707 363 40   | o-ring   |         | 1   |           |
| 6    | 999 701 154 40   | o-ring   |         | 1   |           |
| 7    | 996 314 223 01   | cover  |         | 1   |           |
|      |                  | M >> 664 01953                                     |         |     |           |
|      |                  | M >> 684 00519                                     |         |     |           |
| (1)  | 997 314 223 00   | cover  |         | 1   |           |
|      |                  | M 664 01954 >>                                     |         |     |           |
|      |                  | M 684 00520 >>                                     |         |     |           |
| 8    | A 996 314 220 02 | container  | -02     | 1   |           |
| (8)  | 996 314 220 03   | container  | 03      | 1   |           |
| (8)  | 997 314 220 00   | container  | 04-     | 1   |           |
| 9    | 996 314 050 02   | power-steering pump                                |         | 1   |           |
| 10   | 996 314 320 03   | straight pin                                       |         | 2   |           |
| 11   | 996 314 431 05   | bracket  |         | 1   |           |
| 12   | 900 378 105 09   | hexagon-head bolt<br>AM 8 X 70                     |         | 2   |           |
| 13   | 996 147 223 60   | pulley   | -99     | 1   | M 249     |
|      |                  |  | -99     | 1   | M 480/574 |
| (13) | 996 147 223 53   | pulley   | -99     | 1   | M 480/573 |

|       |      |    |    |              |              |        |       |            |         |     |         |
|-------|------|----|----|--------------|--------------|--------|-------|------------|---------|-----|---------|
| Model | Year | MG | SG | Illustration | Restrictions | Update | 11:26 | 25.11.2005 | PORSCHE | PET | PORSCHE |
| 996   | 05   | 4  | 03 | 403-03       |              | 194    |       |            |         |     |         |

| Pos  | Part Number    | Name                          | Remarks | Qty | Model | Pos | Part Number | Name | Remarks | Qty | Model |
|------|----------------|-------------------------------|---------|-----|-------|-----|-------------|------|---------|-----|-------|
| (13) | 996 147 223 60 | pulley                        | 00-     | 1   |       |     |             |      |         |     |       |
| 14   | 900 378 123 09 | hexagon-head bolt<br>M 8 X 12 |         | 3   |       |     |             |      |         |     |       |
| 15   | 999 707 204 40 | sealing ring<br>12.5 X 2N     |         | 1   |       |     |             |      |         |     |       |
| 16   | 996 314 551 00 | bracket<br>for<br>container   |         | 1   |       |     |             |      |         |     |       |
| -    | 000 043 203 33 | pentosin<br>1000 ML           |         | X   |       |     |             |      |         |     |       |
|      |                | - - - E N D - - -             |         |     |       |     |             |      |         |     |       |

|       |      |    |    |              |              |        |       |            |         |     |         |
|-------|------|----|----|--------------|--------------|--------|-------|------------|---------|-----|---------|
| Model | Year | MG | SG | Illustration | Restrictions | Update | 11:26 | 25.11.2005 | PORSCHE | PET | PORSCHE |
| 996   | 05   | 4  | 03 | 403-05       |              | 194    |       |            |         |     |         |



| Pos | Part Number    | Name   | Remarks | Qty | Model     |
|-----|----------------|--|---------|-----|-----------|
| 1   | 993 347 804 55 | steering outer tube<br>steering shaft<br>steering wheels |         |     |           |
|     |                | steering wheel   | 98      | 1   | M 480     |
|     |                | 8YR black  | -00     |     |           |
| (1) | 993 347 804 56 | steering wheel   | 99-01   | 1   | M 480     |
| 1   | 993 347 804 55 | steering wheel   | 98      | 1   | M 480     |
|     |                | B50 space grey   |         |     |           |
|     |                | C50 graphite grey  | -00     |     |           |
|     |                | G10 metropole blue                                       | -00     |     |           |
|     |                | S30 savanna  | -00     |     |           |
| (1) | 993 347 804 56 | steering wheel   | 99-01   | 1   | M 480     |
|     |                | A28 black  | 01      |     |           |
|     |                | B50 space grey   |         |     |           |
|     |                | C60 graphite grey  | 01      |     |           |
|     |                | G30 metropole blue                                       | 01      |     |           |
|     |                | S40 savanna  | 01      |     |           |
|     |                | J40 nephrite green                                       | 01      |     |           |
| (1) | 993 347 981 01 | steering wheel   | -01     | 1   | M 480/X26 |
|     |                | 8YR black  | -00     |     |           |
|     |                | A28 black  | 01      |     |           |
|     |                | B50 space grey   | -00     |     |           |
|     |                | C50 graphite grey  | -00     |     |           |
|     |                | C60 graphite grey  | 01      |     |           |
|     |                | G10 metropole blue                                       | -00     |     |           |
|     |                | G30 metropole blue                                       | 01      |     |           |
|     |                | S30 savanna  | -00     |     |           |
|     |                | S40 savanna  | 01      |     |           |
|     |                | J30 nephrite green                                       | -00     |     |           |
|     |                | J40 nephrite green                                       | 01      |     |           |

|       |      |    |    |              |              |        |       |            |         |     |         |
|-------|------|----|----|--------------|--------------|--------|-------|------------|---------|-----|---------|
| Model | Year | MG | SG | Illustration | Restrictions | Update | 11:26 | 25.11.2005 | PORSCHE | PET | PORSCHE |
| 996   | 05   | 4  | 03 | 403-05       |              | 194    |       |            |         |     |         |

| Pos | Part Number    | Name              | Remarks | Qty | Model     | Pos | Part Number    | Name              | Remarks | Qty | Model     |
|-----|----------------|-------------------|---------|-----|-----------|-----|----------------|-------------------|---------|-----|-----------|
|     | M30            | boxster red       | -00     |     |           |     | G30            | metropole blue    | 01      |     |           |
|     | M40            | boxster red       | 01      |     |           |     | S30            | savanna           | -00     |     |           |
|     | P20            | cinnamon brown    | 01      |     |           |     | S40            | savanna           | 01      |     |           |
|     | D11            | dark grey/natural | 00-01   |     |           |     | J30            | nephrite green    | -00     |     |           |
|     | T11            | brown/natural     | 00-01   |     |           |     | J40            | nephrite green    | 01      |     |           |
| (1) | 996 347 981 01 | steering wheel    | -01     | 1   | M 480/X28 |     | M30            | boxster red       | -00     |     |           |
|     | 8YR            | black             | -00     |     |           |     | M40            | boxster red       | 01      |     |           |
|     | A28            | black             | 01      |     |           |     | P20            | cinnamon brown    | 01      |     |           |
|     | B50            | space grey        | -00     |     |           |     | D11            | dark grey/natural | 00-01   |     |           |
|     | C50            | graphite grey     | -00     |     |           |     | T11            | brown/natural     | 00-01   |     |           |
|     | C60            | graphite grey     | 01      |     |           | (1) | 993 347 981 07 | steering wheel    | -01     | 1   | M 480/X77 |
|     | G10            | metropole blue    | -00     |     |           |     | 8YR            | black             | -00     |     |           |
|     | G30            | metropole blue    | 01      |     |           |     | A28            | black             | 01      |     |           |
|     | S30            | savanna           | -00     |     |           |     | B50            | space grey        | -00     |     |           |
|     | S40            | savanna           | 01      |     |           |     | C50            | graphite grey     | -00     |     |           |
|     | J30            | nephrite green    | -00     |     |           |     | C60            | graphite grey     | 01      |     |           |
|     | J40            | nephrite green    | 01      |     |           |     | G10            | metropole blue    | -00     |     |           |
|     | M30            | boxster red       | -00     |     |           |     | G30            | metropole blue    | 01      |     |           |
|     | M40            | boxster red       | 01      |     |           |     | S30            | savanna           | -00     |     |           |
|     | P20            | cinnamon brown    | 01      |     |           |     | S40            | savanna           | 01      |     |           |
|     | D11            | dark grey/natural | 00-01   |     |           |     | J30            | nephrite green    | -00     |     |           |
|     | T11            | brown/natural     | 00-01   |     |           |     | J40            | nephrite green    | 01      |     |           |
| (1) | 996 347 981 03 | steering wheel    | -01     | 1   | M 480/X30 |     | M30            | boxster red       | -00     |     |           |
|     | 8YR            | black             | -00     |     |           |     | M40            | boxster red       | 01      |     |           |
|     | A28            | black             | 01      |     |           |     | P20            | cinnamon brown    | 01      |     |           |
|     | B50            | space grey        | -00     |     |           |     | D11            | dark grey/natural | 00-01   |     |           |
|     | C50            | graphite grey     | -00     |     |           |     | T11            | brown/natural     | 00-01   |     |           |
|     | C60            | graphite grey     | 01      |     |           | (1) | 993 347 804 63 | steering wheel    | 98      | 1   | M 249     |
|     | G10            | metropole blue    | -00     |     |           |     | 8YR            | black             | -00     |     |           |

|       |      |    |    |              |              |        |       |            |         |     |         |
|-------|------|----|----|--------------|--------------|--------|-------|------------|---------|-----|---------|
| Model | Year | MG | SG | Illustration | Restrictions | Update | 11:26 | 25.11.2005 | PORSCHE | PET | PORSCHE |
| 996   | 05   | 4  | 03 | 403-05       |              | 194    |       |            |         |     |         |

| Pos | Part Number    | Name              | Remarks | Qty | Model     | Pos | Part Number    | Name              | Remarks | Qty | Model     |
|-----|----------------|-------------------|---------|-----|-----------|-----|----------------|-------------------|---------|-----|-----------|
|     | B50            | space grey        |         |     |           |     | 8YR            | black             | -00     |     |           |
|     | C50            | graphite grey     | -00     |     |           |     | A28            | black             | 01      |     |           |
|     | G10            | metropole blue    | -00     |     |           |     | B50            | space grey        | -00     |     |           |
|     | S30            | savanna           | -00     |     |           |     | C50            | graphite grey     | -00     |     |           |
| (1) | 993 347 804 64 | steering wheel    | 99-01   | 1   | M 249     |     | C60            | graphite grey     | 01      |     |           |
|     | A28            | black             | 01      |     |           |     | G10            | metropole blue    | -00     |     |           |
|     | B50            | space grey        |         |     |           |     | G30            | metropole blue    | 01      |     |           |
|     | C60            | graphite grey     | 01      |     |           |     | S30            | savanna           | -00     |     |           |
|     | G30            | metropole blue    | 01      |     |           |     | S40            | savanna           | 01      |     |           |
|     | S40            | savanna           | 01      |     |           |     | J30            | nephrite green    | -00     |     |           |
|     | J40            | nephrite green    | 01      |     |           |     | J40            | nephrite green    | 01      |     |           |
| (1) | 993 347 981 02 | steering wheel    | -01     | 1   | M 432/X26 |     | M30            | boxster red       | -00     |     |           |
|     | 8YR            | black             | -00     |     |           |     | M40            | boxster red       | 01      |     |           |
|     | A28            | black             | 01      |     |           |     | P20            | cinnamon brown    | 01      |     |           |
|     | B50            | space grey        | -00     |     |           |     | D11            | dark grey/natural | 00-01   |     |           |
|     | C50            | graphite grey     | -00     |     |           |     | T11            | brown/natural     | 00-01   |     |           |
|     | C60            | graphite grey     | 01      |     |           | (1) | 996 347 981 04 | steering wheel    | -01     | 1   | M 432/X30 |
|     | G10            | metropole blue    | -00     |     |           |     | 8YR            | black             | -00     |     |           |
|     | G30            | metropole blue    | 01      |     |           |     | A28            | black             | 01      |     |           |
|     | S30            | savanna           | -00     |     |           |     | B50            | space grey        | -00     |     |           |
|     | S40            | savanna           | 01      |     |           |     | C50            | graphite grey     | -00     |     |           |
|     | J30            | nephrite green    | -00     |     |           |     | C60            | graphite grey     | 01      |     |           |
|     | J40            | nephrite green    | 01      |     |           |     | G10            | metropole blue    | -00     |     |           |
|     | M30            | boxster red       | -00     |     |           |     | G30            | metropole blue    | 01      |     |           |
|     | M40            | boxster red       | 01      |     |           |     | S30            | savanna           | -00     |     |           |
|     | P20            | cinnamon brown    | 01      |     |           |     | S40            | savanna           | 01      |     |           |
|     | D11            | dark grey/natural | 00-01   |     |           |     | J30            | nephrite green    | -00     |     |           |
|     | T11            | brown/natural     | 00-01   |     |           |     | J40            | nephrite green    | 01      |     |           |
| (1) | 996 347 981 02 | steering wheel    | -01     | 1   | M 432/X28 |     | M30            | boxster red       | -00     |     |           |

|       |      |    |    |              |              |        |       |            |         |     |         |
|-------|------|----|----|--------------|--------------|--------|-------|------------|---------|-----|---------|
| Model | Year | MG | SG | Illustration | Restrictions | Update | 11:26 | 25.11.2005 | PORSCHE | PET | PORSCHE |
| 996   | 05   | 4  | 03 | 403-05       |              | 194    |       |            |         |     |         |

| Pos | Part Number    | Name                                      | Remarks | Qty | Model     | Pos   | Part Number    | Name  | Remarks | Qty | Model       |
|-----|----------------|---|---------|-----|-----------|-------|----------------|---|---------|-----|-------------|
|     | M40            | boxster red                               | 01      |     |           | 4     | 999 073 127 02 | hexagon-head bolt<br>M 5 X 20   |         | 2   |             |
|     | P20            | cinnamon brown                            | 01      |     |           | 5     | 993 347 831 00 | switch  |         | 1   | M 249/M 432 |
|     | D11            | dark grey/natural                         | 00-01   |     |           | (5)   | 996 347 831 00 | switch  |         | 1   | M 436/M 432 |
|     | T11            | brown/natural                             | 00-01   |     |           | 6     | 993 347 835 00 | lever   | /L      | 1   | M 249/M 432 |
| (1) | 993 347 981 08 | steering wheel                            | -01     | 1   | M 432/X77 |       | 01C            | black   |         |     |             |
|     | 8YR            | black                                     | -00     |     |           | (6)   | 996 347 835 00 | lever   | /L      | 1   | M 436/M 432 |
|     | A28            | black                                     | 01      |     |           |       | 01C            | black   |         |     |             |
|     | B50            | space grey                                | -00     |     |           | (6)   | 993 347 836 00 | lever   | /R      | 1   | M 249/M 432 |
|     | C50            | graphite grey                             | -00     |     |           |       | 01C            | black   |         |     |             |
|     | C60            | graphite grey                             | 01      |     |           | (6)   | 996 347 836 00 | lever   | /R      | 1   | M 436/M 432 |
|     | G10            | metropole blue                            | -00     |     |           |       | 01C            | black   |         |     |             |
|     | G30            | metropole blue                            | 01      |     |           | 7     | 900 146 016 02 | round head screw<br>M 3 X 6   |         | 4   |             |
|     | S30            | savanna                                   | -00     |     |           | 8     | 996 347 007 04 | steering column<br>complete<br>with<br>steering shaft   | -99     | 1   |             |
|     | S40            | savanna                                   | 01      |     |           |       |                |   |         |     |             |
|     | J30            | nephrite green                            | -00     |     |           | (8)   | 996 347 007 05 | steering column<br>complete<br>with<br>steering shaft   | 00-     | 1   |             |
|     | J40            | nephrite green                            | 01      |     |           |       |                |   |         |     |             |
|     | M30            | boxster red                               | -00     |     |           | (8) A | 996 347 007 02 | steering column<br>complete<br>with<br>steering shaft   | 99      | 1   | M 476       |
|     | M40            | boxster red                               | 01      |     |           |       |                |   |         |     |             |
|     | P20            | cinnamon brown                            | 01      |     |           | (8) A | 996 347 007 06 | steering column<br>complete<br>with<br>steering shaft   | -02     | 1   | M 476       |
|     | D11            | dark grey/natural                         | 00-01   |     |           |       |                |   |         |     |             |
|     | T11            | brown/natural                             | 00-01   |     |           |       |                |   |         |     |             |
|     |                | mount<br>steering wheel<br>steering shaft |         |     |           |       |                |   |         |     |             |
| -   | N 012 238 1    | spring washer<br>B 16                     |         | 1   |           |       |                | steering column<br>complete<br>with<br>steering shaft<br>see technical manual<br>group 4<br>NR.45.... |         |     |             |
| -   | 900 078 006 01 | hexagon nut<br>M 16 X 1,5                 |         | 1   |           | (8)   | 996 347 007 07 | steering column<br>complete<br>with<br>steering shaft   | 03-     | 1   | M 476       |
| 2   | 999 073 134 02 | pan-head screw<br>M 6 X 9,1               |         | 2   |           | 10    | 999 217 042 09 | hexagon-head bolt<br>M 8 X 35   |         | 1   |             |
| 3   | 993 347 088 01 | retaining frame                           |         | 1   |           | 11    | 986 347 037 00 | bellows   | -99     | 1   |             |

|       |      |    |    |              |              |        |       |            |         |     |         |
|-------|------|----|----|--------------|--------------|--------|-------|------------|---------|-----|---------|
| Model | Year | MG | SG | Illustration | Restrictions | Update | 11:26 | 25.11.2005 | PORSCHE | PET | PORSCHE |
| 996   | 05   | 4  | 03 | 403-05       |              | 194    |       |            |         |     |         |

| Pos  | Part Number      | Name   | Remarks | Qty | Model | Pos  | Part Number      | Name           | Remarks | Qty | Model |
|------|------------------|--|---------|-----|-------|------|------------------|----------------|---------|-----|-------|
| (11) | 986 347 037 01   | bellows  | 00-     | 1   |       | 26   | A 996 347 804 52 | steering wheel |         | 1   | M 436 |
| 12   | 996 347 339 02   | rubber seal  |         | 1   |       |      | 8YR              | black          |         |     |       |
| 13   | 900 380 008 09   | hexagon nut<br>M 10  |         | 1   |       |      | B50              | space grey     |         |     |       |
| 14   | 900 378 095 09   | hexagon-head bolt<br>M 10 X 100  |         | 1   |       |      | C50              | graphite grey  |         |     |       |
| 15   | 900 378 157 09   | hexagon-head bolt<br>AM 6 X 25   |         | 1   |       |      | G10              | metropole blue |         |     |       |
| 16   | 999 076 055 09   | hexagon nut<br>M 8   |         | 1   |       | (26) | 996 347 804 53   | steering wheel | 99      | 1   | M 436 |
| 17   | 996 347 243 01   | strut  |         | 1   |       |      | 8YR              | black          |         |     |       |
| 18   | 900 378 055 09   | hexagon-head bolt<br>AM 8 X 40   |         | 1   |       |      | B50              | space grey     |         |     |       |
| 19   | 900 377 002 02   | hexagon nut<br>M 6   |         | 1   |       |      | C50              | graphite grey  |         |     |       |
| 20   | A 996 347 017 05 | steering lock housing  |         | 1   |       |      | G10              | metropole blue |         |     |       |
| (20) | 996 347 017 06   | steering lock housing  | -03     | 1   |       |      | S30              | savanna        |         |     |       |
| (20) | 996 347 017 07   | steering lock housing<br>see technical information<br>group 2<br>NR.4/03   | 04-     | 1   |       | (26) | 996 347 804 54   | steering wheel | 00-     | 1   | M 436 |
| 21   | 996 347 917 00   | lock cylinder<br>with stipulated lock-no.                                  | -01     | 1   |       |      | M30              | boxster red    | 00      |     |       |
| (21) | 996 347 917 01   | lock cylinder<br>with stipulated lock-no.                                  | 02-     | 1   |       |      | J30              | nephrite green | 01-     |     |       |
| (21) | 996 347 915 00   | lock cylinder<br>w/o stipulated lock number                                | -01     | 1   |       |      | 8YR              | black          | 00      |     |       |
| (21) | 996 347 915 01   | lock cylinder<br>w/o stipulated lock number                                | 02-     | 1   |       |      | A08              | black          | 01-     |     |       |
| 22   | 4A0 905 849 B    | ignition starter switch  | -03     | 1   |       |      | A28              | black          |         |     |       |
| (22) | 4B0 905 849      | ignition starter switch<br>see technical information<br>group 2<br>NR.4/03 | 04-     | 1   |       |      | B50              | space grey     |         |     |       |
| 23   | 996 617 121 00   | support  | /RL -99 | 1   |       |      | C50              | graphite grey  | 00      |     |       |
| 24   | 996 617 021 04   | control unit<br>cruise control   | -99     | 1   |       |      | C56              | graphite grey  | 00      |     |       |
| 25   | 996 347 901 00   | slotted screw  |         | 2   |       |      | C60              | graphite grey  | 01-     |     |       |
|      |                  |  |         |     |       |      | G10              | metropole blue |         |     |       |
|      |                  |  |         |     |       |      | G16              | metropole blue | 00      |     |       |
|      |                  |  |         |     |       |      | G30              | metropole blue | 01-     |     |       |
|      |                  |  |         |     |       |      | S30              | savanna        |         |     |       |
|      |                  |  |         |     |       |      | S36              | savanna        | 00      |     |       |
|      |                  |  |         |     |       |      | S40              | savanna        | 01-     |     |       |
|      |                  |  |         |     |       |      | M30              | boxster red    |         |     |       |



|       |      |    |    |              |              |        |       |            |         |     |         |
|-------|------|----|----|--------------|--------------|--------|-------|------------|---------|-----|---------|
| Model | Year | MG | SG | Illustration | Restrictions | Update | 11:26 | 25.11.2005 | PORSCHE | PET | PORSCHE |
| 996   | 05   | 4  | 03 | 403-05       |              | 194    |       |            |         |     |         |

| Pos  | Part Number    | Name              | Remarks | Qty | Model       | Pos  | Part Number    | Name              | Remarks | Qty | Model     |
|------|----------------|-------------------|---------|-----|-------------|------|----------------|-------------------|---------|-----|-----------|
|      | M36            | boxster red       | 00      |     |             |      | A28            | black             | 01-     |     |           |
|      | M40            | boxster red       | 01-     |     |             |      | B50            | space grey        | -00     |     |           |
|      | J30            | nephrite green    |         |     |             |      | C50            | graphite grey     | -00     |     |           |
|      | J36            | nephrite green    | 00      |     |             |      | C60            | graphite grey     | 01-     |     |           |
|      | J40            | nephrite green    | 01-03   |     |             |      | S30            | savanna           | -00     |     |           |
|      | D11            | dark grey/natural | 00-     |     |             |      | S40            | savanna           | 01-     |     |           |
|      | T11            | brown/natural     | 00-     |     |             |      | G10            | metropole blue    | -00     |     |           |
|      | P20            | cinnamon brown    | 01-     |     |             |      | G30            | metropole blue    | 01-     |     |           |
| (26) | 996 347 804 57 | steering wheel    | 04      | 1   | M 436/M 095 |      | J30            | nephrite green    | -00     |     |           |
|      | VTB            | dark grey/natural |         |     |             |      | J40            | nephrite green    | 01-03   |     |           |
| (26) | 996 347 983 00 | steering wheel    |         | 1   | M 480/XPA   |      | M30            | boxster red       | -00     |     |           |
|      | 8YR            | black             | -00     |     |             |      | M40            | boxster red       | 01-     |     |           |
|      | A28            | black             | 01-     |     |             |      | P20            | cinnamon brown    | 01-     |     |           |
|      | B50            | space grey        | -00     |     |             |      | D11            | dark grey/natural | 00-     |     |           |
|      | C50            | graphite grey     | -00     |     |             |      | T11            | brown/natural     | 00-     |     |           |
|      | C60            | graphite grey     | 01-     |     |             | (26) | 996 347 983 10 | steering wheel    |         | 1   | M 480/XPC |
|      | S30            | savanna           | -00     |     |             |      | 8YR            | black             | -00     |     |           |
|      | S40            | savanna           | 01-     |     |             |      | A28            | black             | 01-     |     |           |
|      | G10            | metropole blue    | -00     |     |             |      | B50            | space grey        | -00     |     |           |
|      | G30            | metropole blue    | 01-     |     |             |      | C50            | graphite grey     | -00     |     |           |
|      | J30            | nephrite green    | -00     |     |             |      | C60            | graphite grey     | 01-     |     |           |
|      | J40            | nephrite green    | 01-03   |     |             |      | S30            | savanna           | -00     |     |           |
|      | M30            | boxster red       | -00     |     |             |      | S40            | savanna           | 01-     |     |           |
|      | M40            | boxster red       | 01-     |     |             |      | G10            | metropole blue    | -00     |     |           |
|      | P20            | cinnamon brown    | 01-     |     |             |      | G30            | metropole blue    | 01-     |     |           |
|      | D11            | dark grey/natural | 00-     |     |             |      | J30            | nephrite green    | -00     |     |           |
|      | T11            | brown/natural     | 00-     |     |             |      | J40            | nephrite green    | 01-03   |     |           |
| (26) | 996 347 983 04 | steering wheel    |         | 1   | M 480/XPB   |      | M30            | boxster red       | -00     |     |           |
|      | 8YR            | black             | -00     |     |             |      | M40            | boxster red       | 01-     |     |           |

|       |      |    |    |              |              |        |       |            |         |     |         |
|-------|------|----|----|--------------|--------------|--------|-------|------------|---------|-----|---------|
| Model | Year | MG | SG | Illustration | Restrictions | Update | 11:26 | 25.11.2005 | PORSCHE | PET | PORSCHE |
| 996   | 05   | 4  | 03 | 403-05       |              | 194    |       |            |         |     |         |

| Pos  | Part Number    | Name              | Remarks | Qty | Model     | Pos    | Part Number    | Name           | Remarks | Qty | Model          |
|------|----------------|-------------------|---------|-----|-----------|--------|----------------|----------------|---------|-----|----------------|
|      | P20            | cinnamon brown    | 01-     |     |           |        | T11            | brown/natural  |         |     |                |
|      | D11            | dark grey/natural | 00-     |     |           | (26) A | 996 347 804 62 | steering wheel |         | 1   | M 436<br>M 432 |
|      | T11            | brown/natural     | 00-     |     |           |        | 8YR            | black          |         |     |                |
| (26) | 996 347 983 12 | steering wheel    |         | 1   | M 480/XPD |        | B50            | space grey     |         |     |                |
|      | 8YR            | black             | -00     |     |           |        | C50            | graphite grey  |         |     |                |
|      | A28            | black             | 01-     |     |           |        | G10            | metropole blue |         |     |                |
|      | B50            | space grey        | -00     |     |           |        | S30            | savanna        |         |     |                |
|      | C50            | graphite grey     | -00     |     |           | (26)   | 996 347 804 63 | steering wheel | 99      | 1   | M 436<br>M 432 |
|      | C60            | graphite grey     | 01-     |     |           |        | 8YR            | black          |         |     |                |
|      | S30            | savanna           | -00     |     |           |        | B50            | space grey     |         |     |                |
|      | S40            | savanna           | 01-     |     |           |        | C50            | graphite grey  |         |     |                |
|      | G10            | metropole blue    | -00     |     |           |        | G10            | metropole blue |         |     |                |
|      | G30            | metropole blue    | 01-     |     |           |        | S30            | savanna        |         |     |                |
|      | J30            | nephrite green    | -00     |     |           |        | M30            | boxster red    |         |     |                |
|      | J40            | nephrite green    | 01-03   |     |           |        | J30            | nephrite green |         |     |                |
|      | M30            | boxster red       | -00     |     |           | (26)   | 996 347 804 64 | steering wheel | 00-     | 1   | M 436<br>M 432 |
|      | M40            | boxster red       | 01-     |     |           |        | 8YR            | black          |         |     |                |
|      | P20            | cinnamon brown    | 01-     |     |           |        | A08            | black          | -00     |     |                |
|      | D11            | dark grey/natural | 00-     |     |           |        | A28            | black          | 01-     |     |                |
|      | T11            | brown/natural     | 00-     |     |           |        | B50            | space grey     |         |     |                |
| (26) | 996 347 983 28 | steering wheel    | 03-     | 1   | M 480/XPG |        | C50            | graphite grey  |         |     |                |
|      | A28            | black             |         |     |           |        | C56            | graphite grey  | -00     |     |                |
|      | C60            | graphite grey     |         |     |           |        | C60            | graphite grey  | 01-     |     |                |
|      | S40            | savanna           |         |     |           |        | G10            | metropole blue |         |     |                |
|      | G30            | metropole blue    |         |     |           |        | G16            | metropole blue | -00     |     |                |
|      | J40            | nephrite green    | 03      |     |           |        | G30            | metropole blue | 01-     |     |                |
|      | M40            | boxster red       |         |     |           |        | S30            | savanna        |         |     |                |
|      | P20            | cinnamon brown    |         |     |           |        | S36            | savanna        | -00     |     |                |
|      | D11            | dark grey/natural |         |     |           |        |                |                |         |     |                |

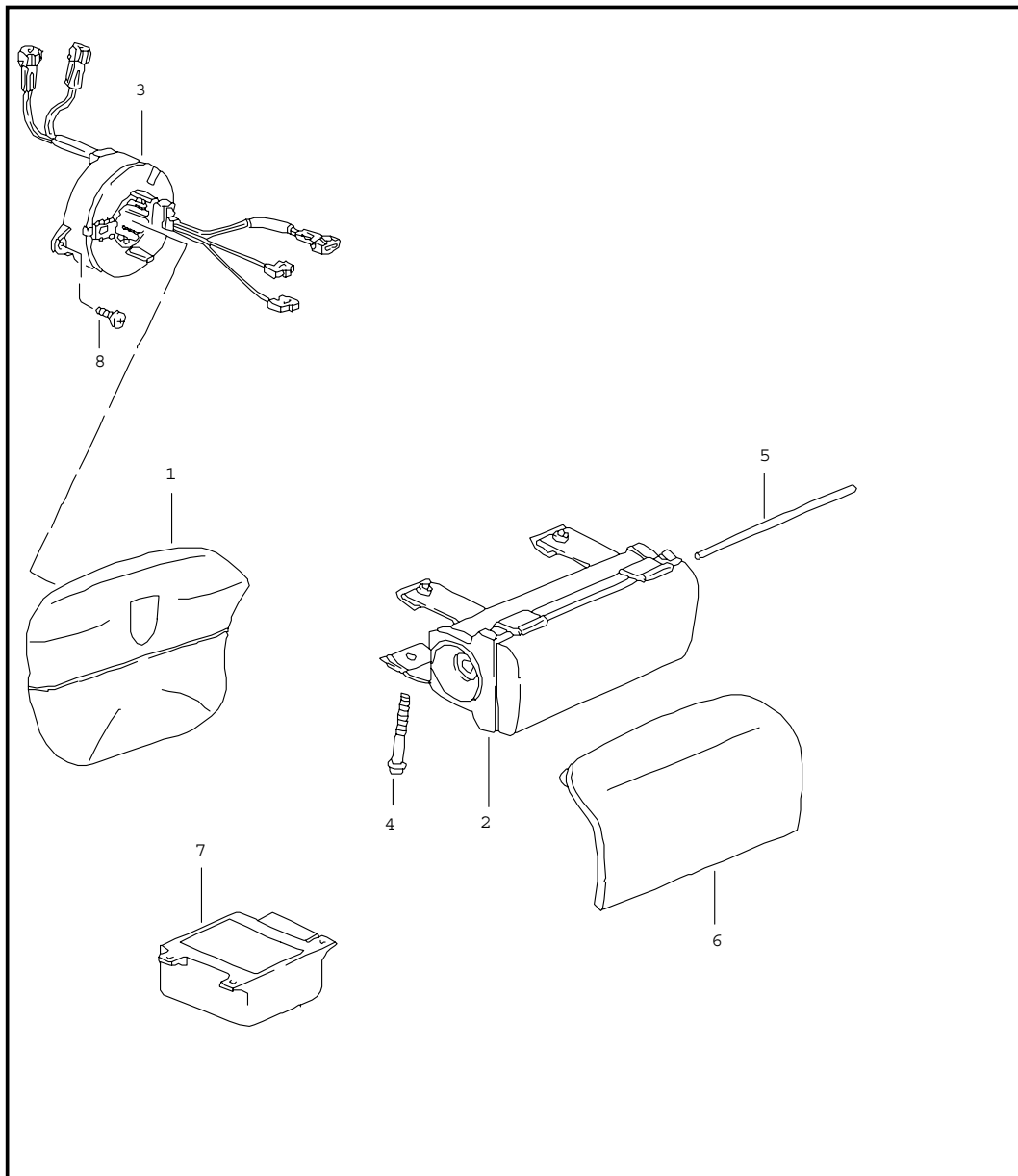
|       |      |    |    |              |              |        |       |            |         |     |         |
|-------|------|----|----|--------------|--------------|--------|-------|------------|---------|-----|---------|
| Model | Year | MG | SG | Illustration | Restrictions | Update | 11:26 | 25.11.2005 | PORSCHE | PET | PORSCHE |
| 996   | 05   | 4  | 03 | 403-05       |              | 194    |       |            |         |     |         |

| Pos  | Part Number    | Name              | Remarks | Qty | Model     | Pos  | Part Number    | Name              | Remarks | Qty | Model     |
|------|----------------|-------------------|---------|-----|-----------|------|----------------|-------------------|---------|-----|-----------|
|      | S40            | savanna           | 01-     |     |           |      | A28            | black             | 01-     |     |           |
|      | M30            | boxster red       |         |     |           |      | B50            | space grey        | -00     |     |           |
|      | M36            | boxster red       | -00     |     |           |      | C50            | graphite grey     | -00     |     |           |
|      | M40            | boxster red       | 01-     |     |           |      | C60            | graphite grey     | 01-     |     |           |
|      | J30            | nephrite green    |         |     |           |      | S30            | savanna           | -00     |     |           |
|      | J36            | nephrite green    | -00     |     |           |      | S40            | savanna           | 01-     |     |           |
|      | J40            | nephrite green    | 01-03   |     |           |      | G10            | metropole blue    | -00     |     |           |
|      | D11            | dark grey/natural | 00-     |     |           |      | G30            | metropole blue    | 01-     |     |           |
|      | T11            | brown/natural     | 00-     |     |           |      | J30            | nephrite green    | -00     |     |           |
|      | P20            | cinnamon brown    | 01-     |     |           |      | J40            | nephrite green    | 01-03   |     |           |
| (26) | 996 347 983 01 | steering wheel    |         | 1   | M 432/XPA |      | M30            | boxster red       | -00     |     |           |
|      | 8YR            | black             | -00     |     |           |      | M40            | boxster red       | 01-     |     |           |
|      | A28            | black             | 01-     |     |           |      | P20            | cinnamon brown    | 01-     |     |           |
|      | B50            | space grey        | -00     |     |           |      | D11            | dark grey/natural | 00-     |     |           |
|      | C50            | graphite grey     | -00     |     |           |      | T11            | brown/natural     | 00-     |     |           |
|      | C60            | graphite grey     | 01-     |     |           | (26) | 996 347 983 11 | steering wheel    |         | 1   | M 432/XPC |
|      | S30            | savanna           | -00     |     |           |      | 8YR            | black             | -00     |     |           |
|      | S40            | savanna           | 01-     |     |           |      | A28            | black             | 01-     |     |           |
|      | G10            | metropole blue    | -00     |     |           |      | B50            | space grey        | -00     |     |           |
|      | G30            | metropole blue    | 01-     |     |           |      | C50            | graphite grey     | -00     |     |           |
|      | J30            | nephrite green    | -00     |     |           |      | C60            | graphite grey     | 01-     |     |           |
|      | J40            | nephrite green    | 01-03   |     |           |      | S30            | savanna           | -00     |     |           |
|      | M30            | boxster red       | -00     |     |           |      | S40            | savanna           | 01-     |     |           |
|      | M40            | boxster red       | 01-     |     |           |      | G10            | metropole blue    | -00     |     |           |
|      | P20            | cinnamon brown    | 01-     |     |           |      | G30            | metropole blue    | 01-     |     |           |
|      | D11            | dark grey/natural | 00-     |     |           |      | J30            | nephrite green    | -00     |     |           |
|      | T11            | brown/natural     | 00-     |     |           |      | J40            | nephrite green    | 01-03   |     |           |
| (26) | 996 347 983 05 | steering wheel    |         | 1   | M 432/XPB |      | M30            | boxster red       | -00     |     |           |
|      | 8YR            | black             | -00     |     |           |      | M40            | boxster red       | 01-     |     |           |

|       |      |    |    |              |              |        |       |            |         |     |         |
|-------|------|----|----|--------------|--------------|--------|-------|------------|---------|-----|---------|
| Model | Year | MG | SG | Illustration | Restrictions | Update | 11:26 | 25.11.2005 | PORSCHE | PET | PORSCHE |
| 996   | 05   | 4  | 03 | 403-05       |              | 194    |       |            |         |     |         |

| Pos  | Part Number    | Name              | Remarks | Qty | Model     | Pos  | Part Number      | Name  | Remarks | Qty | Model |
|------|----------------|-------------------|---------|-----|-----------|------|------------------|---|---------|-----|-------|
|      | P20            | cinnamon brown    | 01-     |     |           |      | T11              | brown/natural   |         |     |       |
|      | D11            | dark grey/natural | 00-     |     |           |      |                  | mount   |         |     |       |
|      | T11            | brown/natural     | 00-     |     |           |      |                  | steering wheel  |         | 1   |       |
| (26) | 996 347 983 13 | steering wheel    |         | 1   | M 432/XPD | -    | N 012 238 1      | spring washer<br>B 16   |         | 1   |       |
|      | 8YR            | black             | -00     |     |           | -    | 900 078 006 01   | hexagon nut<br>M 16 X 1,5   |         | 1   |       |
|      | A28            | black             | 01-     |     |           | 27   | A 996 347 880 00 | retaining frame   |         | 1   | M 436 |
|      | B50            | space grey        | -00     |     |           | (27) | 996 347 880 01   | retaining frame   | -99     | 1   | M 436 |
|      | C50            | graphite grey     | -00     |     |           | 27   | 996 347 880 02   | plate   | 00-     | 1   | M 436 |
|      | C60            | graphite grey     | 01-     |     |           | 28   | 999 073 184 02   | round head screw<br>M 5 X 18,7  |         | 3   | M 436 |
|      | S30            | savanna           | -00     |     |           | 29   | 999 521 079 02   | compression spring  |         | 3   | M 436 |
|      | S40            | savanna           | 01-     |     |           | 30   | 999 073 183 02   | pan-head screw<br>M 6 X 10,5  |         | 2   | M 436 |
|      | G10            | metropole blue    | -00     |     |           | 33   | A 996 606 109 01 | steering-angle sensor   | -02     | 1   | M 476 |
|      | G30            | metropole blue    | 01-     |     |           | (33) | 996 606 109 02   | steering-angle sensor<br>see technical manual<br>group 4<br>NR.45.... | -02     | 1   | M 476 |
|      | J30            | nephrite green    | -00     |     |           | (33) | 996 606 119 00   | steering-angle sensor   | 03-     | 1   | M 476 |
|      | J40            | nephrite green    | 01-03   |     |           | -    | 996 610 123 00   | cable guide<br>for<br>steering-angle sensor                           | -02     | 1   | M 476 |
|      | M30            | boxster red       | -00     |     |           | -    | 996 610 123 01   | cable guide<br>for<br>steering-angle sensor                           | 03-     | 1   | M 476 |
|      | M40            | boxster red       | 01-     |     |           | 34   | 996 347 705 00   | adapter   |         | 1   | M 476 |
|      | P20            | cinnamon brown    | 01-     |     |           | 35   | 999 217 042 09   | hexagon-head bolt<br>M 8 X 35   |         | 1   | M 476 |
|      | D11            | dark grey/natural | 00-     |     |           | 36   | 996 347 023 00   | steering shaft  |         | 1   | M 476 |
| (26) | 996 347 983 29 | steering wheel    | 03-     | 1   | M 432/XPG |      |                  |   |         |     |       |
|      | A28            | black             |         |     |           |      |                  |   |         |     |       |
|      | C60            | graphite grey     |         |     |           |      |                  |   |         |     |       |
|      | S40            | savanna           |         |     |           |      |                  |   |         |     |       |
|      | G30            | metropole blue    |         |     |           |      |                  |   |         |     |       |
|      | J40            | nephrite green    | 03      |     |           |      |                  |   |         |     |       |
|      | M40            | boxster red       |         |     |           |      |                  |   |         |     |       |
|      | P20            | cinnamon brown    |         |     |           |      |                  |   |         |     |       |
|      | D11            | dark grey/natural |         |     |           |      |                  |   |         |     |       |
|      |                |                   |         |     |           |      |                  | - - - E N D - - -   |         |     |       |

|       |      |    |    |              |              |        |       |            |         |     |         |
|-------|------|----|----|--------------|--------------|--------|-------|------------|---------|-----|---------|
| Model | Year | MG | SG | Illustration | Restrictions | Update | 11:27 | 25.11.2005 | PORSCHE | PET | PORSCHE |
| 996   | 05   | 4  | 03 | 403-06       |              | 194    |       |            |         |     |         |



| Pos | Part Number    | Name   | Remarks | Qty | Model |
|-----|----------------|--|---------|-----|-------|
| 1   | 996 803 089 03 | airbag<br>airbag unit<br>four-spoke steering wheel<br>plastic material |         | 1   |       |
|     | 8YR            | black  | -00     |     |       |
|     | C50            | graphite grey  | -00     |     |       |
|     | S30            | savanna  | -00     |     |       |
|     | G10            | metropole blue   | -00     |     |       |
|     | B50            | space grey   | -00     |     |       |
|     | A28            | black  | 01      |     |       |
|     | C60            | graphite grey  | 01      |     |       |
|     | S40            | savanna  | 01      |     |       |
|     | G30            | metropole blue   | 01      |     |       |
|     | J40            | nephrite green   | 01      |     |       |
|     | M40            | boxster red  | 01      |     |       |
| (1) | 996 803 089 02 | airbag unit<br>3-spoke steering wheel<br>plastic material              | -99     | 1   | M 436 |
|     | 8YR            | black  |         |     |       |
|     | C50            | graphite grey  |         |     |       |
|     | S30            | savanna  |         |     |       |
|     | G10            | metropole blue   |         |     |       |
|     | B50            | space grey   |         |     |       |
|     | M30            | boxster red  |         |     |       |
|     | J30            | nephrite green   |         |     |       |
| (1) | 996 803 089 04 | airbag unit<br>3-spoke steering wheel<br>plastic material              | 00      | 1   | M 436 |
|     | A08            | black  |         |     |       |
|     | C50            | graphite grey  |         |     |       |
|     | C56            | graphite grey  |         |     |       |
|     | S30            | savanna  |         |     |       |

|       |      |    |    |              |              |        |       |            |         |     |         |
|-------|------|----|----|--------------|--------------|--------|-------|------------|---------|-----|---------|
| Model | Year | MG | SG | Illustration | Restrictions | Update | 11:27 | 25.11.2005 | PORSCHE | PET | PORSCHE |
| 996   | 05   | 4  | 03 | 403-06       |              | 194    |       |            |         |     |         |

| Pos | Part Number    | Name  | Remarks        | Qty | Model               | Pos | Part Number    | Name   | Remarks | Qty | Model               |
|-----|----------------|---|----------------|-----|---------------------|-----|----------------|--|---------|-----|---------------------|
|     | S36            | savanna   |                |     |                     |     | S40            | savanna  | 01      |     |                     |
|     | G10            | metropole blue  |                |     |                     |     | G30            | metropole blue   | 01      |     |                     |
|     | G16            | metropole blue  |                |     |                     |     | M40            | boxster red  | 01      |     |                     |
|     | B50            | space grey  |                |     |                     |     | J40            | nephrite green   | 01      |     |                     |
|     | J30            | nephrite green  |                |     |                     |     | D11            | dark grey/natural  | 00-01   |     |                     |
|     | J36            | nephrite green  |                |     |                     |     | T11            | brown/natural  | 00-01   |     |                     |
|     | M30            | boxster red   |                |     |                     |     | P20            | cinnamon brown   | 01      |     |                     |
|     | M36            | boxster red   |                |     |                     | (1) | 996 803 980 01 | airbag unit<br>3-spoke steering wheel<br>leather<br>emblem<br>coloured |         | 1   | XPA/XPB/<br>XPC/XPD |
|     | D11            | dark grey/natural   |                |     |                     |     | 8YR            | black  | -99     |     |                     |
| (1) | 996 803 089 02 | airbag unit<br>3-spoke steering wheel<br>plastic material                 | 01-            | 1   | M 436               |     | C50            | graphite grey  | -99     |     |                     |
|     | A28            | black   |                |     |                     |     | S30            | savanna  | -99     |     |                     |
|     | C60            | graphite grey   |                |     |                     |     | G10            | metropole blue   | -99     |     |                     |
|     | S40            | savanna   |                |     |                     |     | B50            | space grey   | -99     |     |                     |
|     | G30            | metropole blue  |                |     |                     |     | M30            | boxster red  | -99     |     |                     |
|     | J40            | nephrite green  | 01-03          |     |                     |     | J30            | nephrite green   | -99     |     |                     |
|     | M40            | boxster red   |                |     |                     |     | A28            | black  | 01-     |     |                     |
|     | D11            | dark grey/natural   |                |     |                     |     | C60            | graphite grey  | 01-     |     |                     |
|     | T11            | brown/natural   |                |     |                     |     | S40            | savanna  | 01-     |     |                     |
|     | P20            | cinnamon brown  |                |     |                     |     | G30            | metropole blue   | 01-     |     |                     |
| (1) | 996 803 089 05 | airbag unit<br>3-spoke steering wheel<br>leather                          | 04-            | 1   | M 436/M 095         |     | J40            | nephrite green   | 01-03   |     |                     |
|     | D11            | dark grey/natural   |                |     |                     |     | M40            | boxster red  | 01-     |     |                     |
| (1) | 996 803 980 02 | airbag unit<br>four-spoke steering wheel<br>leather<br>emblem<br>embossed | 99-01<br>99-01 | 1   | X26/X28/<br>X30/X77 |     | P20            | cinnamon brown   | 01-     |     |                     |
|     | A28            | black   | 01             |     |                     | (1) | 996 803 980 01 | airbag unit<br>3-spoke steering wheel<br>leather<br>emblem<br>coloured | 03-     | 1   | XPG                 |
|     | C60            | graphite grey   | 01             |     |                     |     |                |  |         |     |                     |

|       |      |    |    |              |              |        |       |            |         |     |         |
|-------|------|----|----|--------------|--------------|--------|-------|------------|---------|-----|---------|
| Model | Year | MG | SG | Illustration | Restrictions | Update | 11:27 | 25.11.2005 | PORSCHE | PET | PORSCHE |
| 996   | 05   | 4  | 03 | 403-06       |              | 194    |       |            |         |     |         |

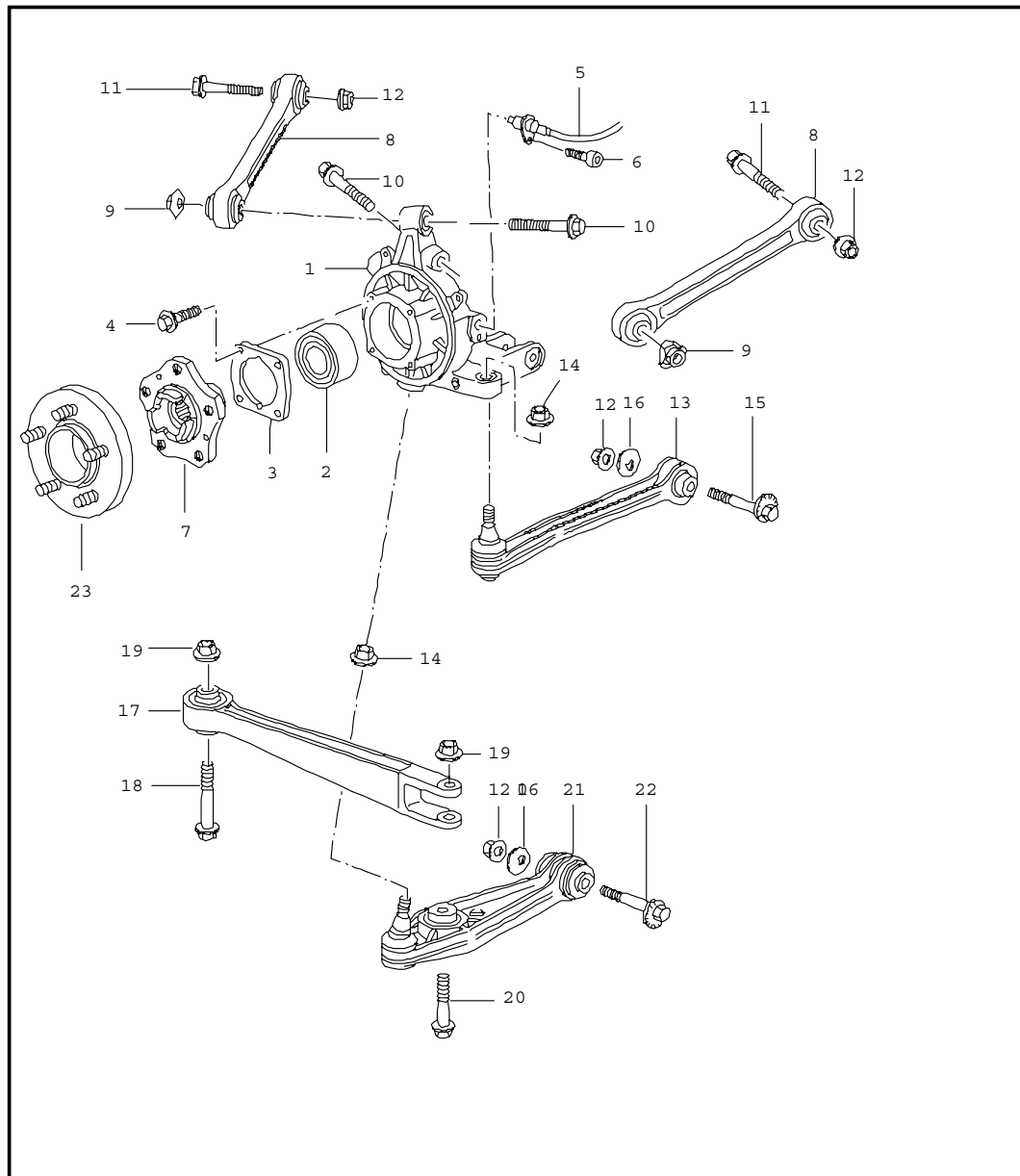
| Pos | Part Number      | Name   | Remarks  | Qty | Model               | Pos | Part Number    | Name   | Remarks | Qty | Model |
|-----|------------------|--|----------|-----|---------------------|-----|----------------|--|---------|-----|-------|
|     | A28              | black  |          |     |                     | (2) | 996 803 071 08 | airbag unit<br>see technical information<br>GR.6 NR.2/03 | 03-     | 1   |       |
|     | C60              | graphite grey  |          |     |                     | -   | 996 803 091 00 | airbag unit  | /L      | 1   | M 563 |
|     | S40              | savanna  |          |     |                     | -   | 996 803 092 00 | airbag unit  | /R      | 1   | M 563 |
|     | G30              | metropole blue   |          |     |                     | -   | 900 378 222 09 | hexagon-head bolt<br>M 6 X 16                            |         | 8   | M 563 |
|     | J40              | nephrite green   | 03       |     |                     | 3   | 996 652 211 00 | support for contact                                      |         | 1   | M 480 |
|     | M40              | boxster red  |          |     |                     | (3) | 996 652 213 00 | support for contact                                      |         | 1   | M 249 |
|     | P20              | cinnamon brown   |          |     |                     | 4   | 900 378 137 09 | hexagon-head bolt<br>AM 8 X 95                           |         | 2   |       |
|     | D11              | dark grey/natural  |          |     |                     | 5   | 996 803 611 00 | hinge pin  |         | 1   |       |
| (1) | 996 803 980 01   | airbag unit<br>3-spoke steering wheel<br>leather<br>emblem<br>coloured | 00       | 1   | M 094/XPC           | 6   | 996 803 173 04 | cover<br>leatherette                                     |         | 1   |       |
|     | T11              | brown/natural  |          |     |                     |     | A18            | black  | -99     |     |       |
| (1) | 996 803 980 03   | airbag unit<br>3-spoke steering wheel<br>leather<br>emblem<br>silver   | 00<br>00 | 1   | XPA/XPB/<br>XPC/XPD |     | B18            | space grey   | -99     |     |       |
|     | 8YR              | black  |          |     |                     |     | C18            | graphite grey  | -99     |     |       |
|     | C50              | graphite grey  |          |     |                     |     | S18            | savanna  | -99     |     |       |
|     | S30              | savanna  |          |     |                     |     | G18            | metropole blue   | -99     |     |       |
|     | G10              | metropole blue   |          |     |                     |     | A12            | black  | 00-     |     |       |
|     | B50              | space grey   |          |     |                     |     | B52            | space grey   | 00      |     |       |
|     | M30              | boxster red  |          |     |                     |     | C52            | graphite grey  | 00-     |     |       |
|     | J30              | nephrite green   |          |     |                     |     | S32            | savanna  | 00-     |     |       |
|     | D11              | dark grey/natural  |          |     |                     |     | G12            | metropole blue   | 00-     |     |       |
|     | T11              | brown/natural  |          |     |                     | (6) | 996 803 173 05 | cover<br>leather   | -03     | 1   |       |
| 2   | A 996 803 071 06 | airbag unit  | -01      | 1   |                     |     | A11            | black  |         |     |       |
| (2) | A 996 803 071 07 | airbag unit<br>see technical information<br>GR.6 NR.2/03               | -03      | 1   |                     |     | B51            | space grey   |         |     |       |
|     |                  |  |          |     |                     |     | C51            | graphite grey  |         |     |       |
|     |                  |  |          |     |                     |     | S31            | savanna  |         |     |       |
|     |                  |  |          |     |                     |     | J31            | nephrite green   | -03     |     |       |

|       |      |    |    |              |              |        |       |            |         |     |         |
|-------|------|----|----|--------------|--------------|--------|-------|------------|---------|-----|---------|
| Model | Year | MG | SG | Illustration | Restrictions | Update | 11:27 | 25.11.2005 | PORSCHE | PET | PORSCHE |
| 996   | 05   | 4  | 03 | 403-06       |              | 194    |       |            |         |     |         |

| Pos   | Part Number    | Name                        | Remarks | Qty | Model     | Pos | Part Number | Name | Remarks | Qty | Model |
|-------|----------------|-----------------------------|---------|-----|-----------|-----|-------------|------|---------|-----|-------|
|       | M31            | boxster red                 |         |     |           |     |             |      |         |     |       |
|       | G11            | metropole blue              | 00-     |     |           |     |             |      |         |     |       |
|       | D12            | dark grey/natural           | 00-     |     |           |     |             |      |         |     |       |
|       | T12            | brown/natural               | 00-     |     |           |     |             |      |         |     |       |
|       | P12            | cinnamon brown              |         |     |           |     |             |      |         |     |       |
| 7     | 996 618 217 01 | switch unit                 |         | 1   | M 562     |     |             |      |         |     |       |
| -     | 900 377 010 09 | nut<br>M 6                  |         | 1   | M 562     |     |             |      |         |     |       |
| -     | 999 084 635 02 | shear-off nut<br>M 6        |         | 2   | M 562     |     |             |      |         |     |       |
| (7) A | 996 618 219 00 | control unit                |         | 1   | M 562,563 |     |             |      |         |     |       |
| (7)   | 996 618 219 02 | control unit                |         | 1   | M 562,563 |     |             |      |         |     |       |
| -     | 900 377 010 09 | nut<br>M 6                  |         | 1   | M 562,563 |     |             |      |         |     |       |
| -     | 944 618 401 00 | nut<br>M 6                  |         | 2   | M 562,563 |     |             |      |         |     |       |
| -     | 996 618 221 00 | sensor<br>airbag            | -01     | 2   | M 563     |     |             |      |         |     |       |
| -     | 996 618 221 01 | sensor<br>airbag            | 02-     | 2   | M 563     |     |             |      |         |     |       |
| -     | 999 073 152 09 | oval-head screw<br>M 6 X 18 |         | 4   | M 563     |     |             |      |         |     |       |
| 8     | 900 146 024 07 | oval-head screw<br>M 5 X 8  |         | 2   |           |     |             |      |         |     |       |
|       |                | - - - E N D - - -           |         |     |           |     |             |      |         |     |       |



|       |      |    |    |              |              |        |       |            |         |     |         |
|-------|------|----|----|--------------|--------------|--------|-------|------------|---------|-----|---------|
| Model | Year | MG | SG | Illustration | Restrictions | Update | 11:27 | 25.11.2005 | PORSCHE | PET | PORSCHE |
| 996   | 05   | 5  | 01 | 501-00       |              | 194    |       |            |         |     |         |

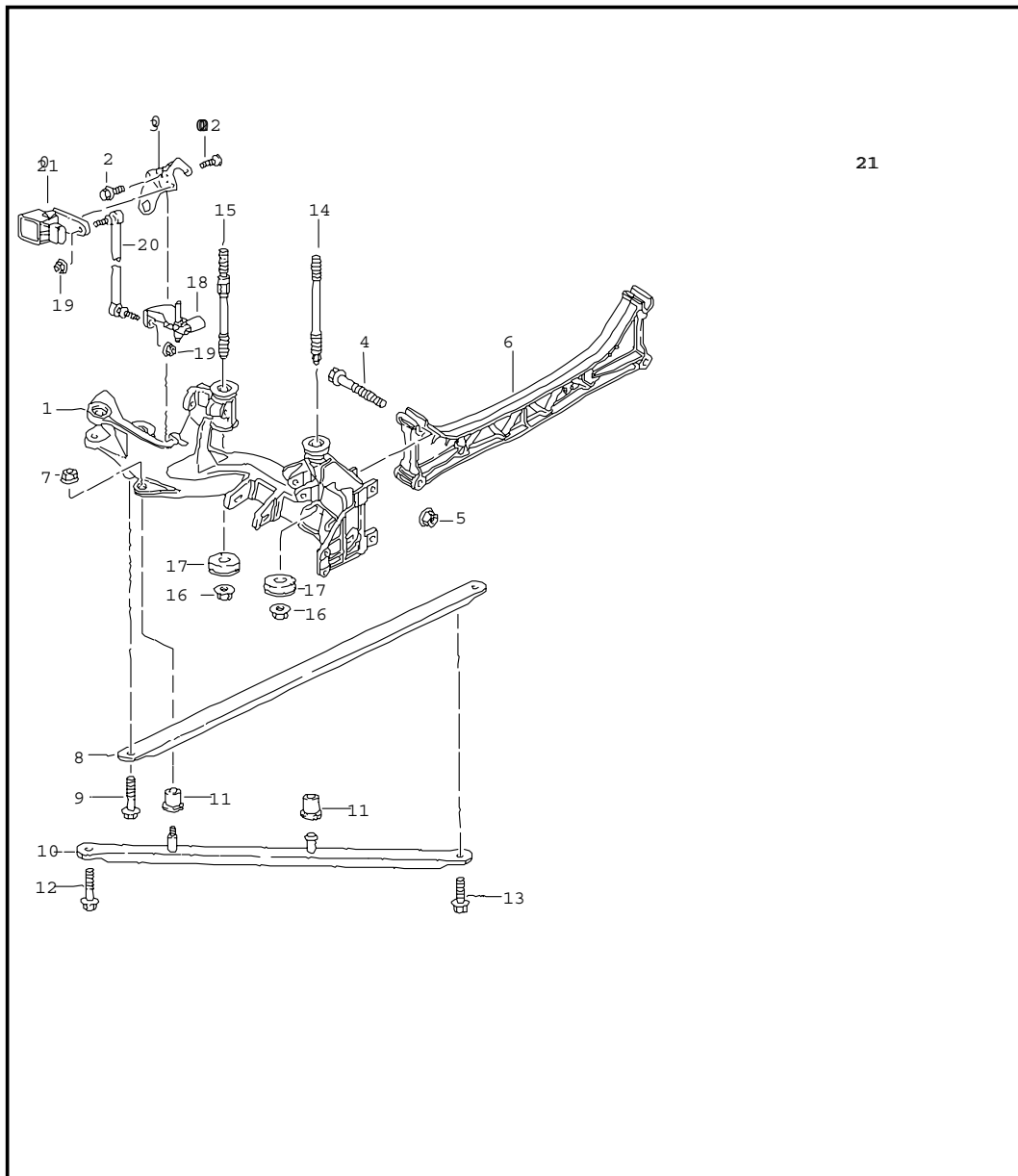


| Pos | Part Number    | Name  | Remarks | Qty | Model |
|-----|----------------|---|---------|-----|-------|
|     |                | rear axle<br>wheel carrier<br>control arm<br>wheel hub                                    |         |     |       |
|     |                | see technical manual<br>42-27<br>42-28<br>42-29   |         |     |       |
| 1   | 996 331 111 05 | wheel carrier<br>F >>99XS6 08187<br>F >>99XS6 46091<br>F >>99XS6 08184<br>F >>99XS6 46090 | /L      | 1   |       |
| (1) | 996 331 111 06 | wheel carrier<br>F 99XS6 08188>><br>F 99XS6 46092>><br>F 99XS6 08185>><br>F 99XS6 46091>> | /L      | 1   |       |
| (1) | 996 331 112 05 | wheel carrier<br>F >>99XS6 08187<br>F >>99XS6 46091<br>F >>99XS6 08184<br>F >>99XS6 46090 | /R      | 1   |       |
| (1) | 996 331 112 06 | wheel carrier<br>F 99XS6 08188>><br>F 99XS6 46092>><br>F 99XS6 08185>><br>F 99XS6 46091>> | /R      | 1   |       |
| 2   | 999 053 055 02 | angular-contact bearing   |         | 2   |       |
| 3   | 996 331 661 01 | cover   |         | 2   |       |
| 4   | 999 217 042 09 | hexagon-head bolt<br>M 8 X 35   |         | 8   |       |
| 5   | 996 606 406 00 | speed sensor  |         | 2   |       |
| 6   | 900 067 117 09 | pan-head screw<br>M 6 X 16  |         | 2   |       |
| 7   | 997 331 605 00 | wheel hub   |         | 2   |       |
| 8   | 996 331 047 02 | control arm   | -01     | 2   |       |
| (8) | 996 331 047 03 | control arm   | -03     | 2   |       |
| (8) | 996 331 047 05 | control arm   | 04-     | 2   |       |
| 9   | 999 084 452 09 | hexagon nut<br>M 12 X 1,5   |         | 4   |       |

|       |      |    |    |              |              |        |       |            |         |     |         |
|-------|------|----|----|--------------|--------------|--------|-------|------------|---------|-----|---------|
| Model | Year | MG | SG | Illustration | Restrictions | Update | 11:27 | 25.11.2005 | PORSCHE | PET | PORSCHE |
| 996   | 05   | 5  | 01 | 501-00       |              | 194    |       |            |         |     |         |

| Pos    | Part Number    | Name                                       | Remarks | Qty | Model     | Pos  | Part Number    | Name   | Remarks | Qty | Model |
|--------|----------------|--|---------|-----|-----------|------|----------------|--|---------|-----|-------|
| 10     | 900 378 139 09 | hexagon-head bolt<br>M 12 X 80             |         | 4   |           | (23) | 996 361 605 90 | spacer ring<br>5 MM<br>without<br>wheel bolt | 01-     | 2   | XRP   |
| 11     | 900 378 088 09 | hexagon-head bolt<br>M 12 X 100            |         | 4   |           |      |                |  |         |     |       |
| 12     | 999 084 445 09 | hexagon nut<br>M 12 X 1,5                  |         | 10  |           |      |                | - - - E N D - - -                            |         |     |       |
| 13     | 996 331 045 06 | track rod<br>F >>99WS6 00422               |         | 2   |           |      |                |  |         |     |       |
| (13) A | 996 331 045 07 | track rod                                  |         | 2   |           |      |                |  |         |     |       |
| (13) A | 996 331 045 08 | track rod<br>F 99WS6 00423>>               |         | 2   |           |      |                |  |         |     |       |
| (13)   | 996 331 045 12 | track rod                                  |         | 2   |           |      |                |  |         |     |       |
| 14     | 999 084 449 09 | hexagon nut<br>M 12 X 1,5                  |         | 4   |           |      |                |  |         |     |       |
| 15     | 996 331 217 02 | eccentric screw<br>M 12 X 83               |         | 2   |           |      |                |  |         |     |       |
| 16     | 996 331 219 00 | eccentric washer                           |         | 2   |           |      |                |  |         |     |       |
| 17     | 996 341 043 03 | control arm                                |         | 2   |           |      |                |  |         |     |       |
| 18     | 900 378 051 09 | hexagon-head bolt<br>M 14 X 100            |         | 2   |           |      |                |  |         |     |       |
| 19     | 900 380 012 09 | hexagon nut<br>M 14 X 1,5                  |         | 4   |           |      |                |  |         |     |       |
| 20     | 900 378 135 09 | hexagon-head bolt<br>M 14 X 75             |         | 2   |           |      |                |  |         |     |       |
| 21 A   | 996 341 053 07 | control arm                                | -03     | 2   |           |      |                |  |         |     |       |
| (21)   | 996 341 053 16 | control arm                                | 04      | 2   |           |      |                |  |         |     |       |
| (21)   | 996 341 053 17 | control arm                                | 05-     | 2   |           |      |                |  |         |     |       |
| 22     | 996 331 217 03 | eccentric screw                            |         | 2   |           |      |                |  |         |     |       |
| 23     | 996 361 617 00 | spacer ring<br>17 MM<br>with<br>wheel bolt | 01      | 2   | XRN       |      |                |  |         |     |       |
| (23)   | 996 361 617 00 | spacer ring<br>17 MM<br>with<br>wheel bolt | 02-     | 2   | XRN/C 4-S |      |                |  |         |     |       |

|       |      |    |    |              |              |        |       |            |         |     |         |
|-------|------|----|----|--------------|--------------|--------|-------|------------|---------|-----|---------|
| Model | Year | MG | SG | Illustration | Restrictions | Update | 11:27 | 25.11.2005 | PORSCHE | PET | PORSCHE |
| 996   | 05   | 5  | 01 | 501-01       |              | 194    |       |            |         |     |         |

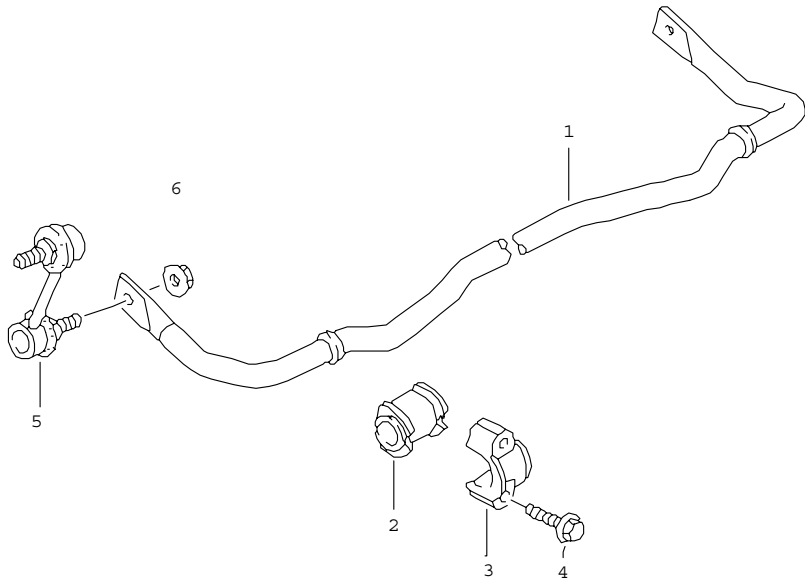


| Pos | Part Number      | Name                           | Remarks | Qty | Model |
|-----|------------------|--------------------------------|---------|-----|-------|
|     |                  | rear axle side section bracket |         |     |       |
| 1   | A 996 331 051 01 | side section                   | /L      | 1   |       |
| (1) | A 996 331 055 00 | side section                   | /L      | 1   |       |
| (1) | 996 331 055 01   | side section                   | /L      | 1   |       |
| (1) | A 996 331 052 01 | side section                   | /R      | 1   |       |
| (1) | A 996 331 056 00 | side section                   | /R      | 1   |       |
| (1) | 996 331 056 01   | side section                   | /R      | 1   |       |
| 2   | 900 067 117 09   | pan-head screw<br>M 6 X 16     |         | 2   |       |
| 3   | 996 355 505 02   | support for brake hose         | /L      | 1   |       |
| (3) | 996 355 505 04   | support for brake hose         | /L      | 1   | M 601 |
| (3) | 996 355 506 02   | support for brake hose         | /R      | 1   |       |
|     |                  | F >>994S6 30356                |         |     |       |
|     |                  | F >>994S6 03928                |         |     |       |
|     |                  | F >>994S6 42725                |         |     |       |
| (3) | 997 355 506 02   | support for brake hose         | /R      | 1   |       |
|     |                  | F 994S6 30357>>                |         |     |       |
|     |                  | F 994S6 03929>>                |         |     |       |
|     |                  | F 994S6 42726>>                |         |     |       |
| 4   | 900 378 139 09   | screw<br>M 12 X 80             |         | 4   |       |
| 5   | 999 084 445 09   | hexagon nut<br>M 12 X 1,5      |         | 4   |       |
| 6   | A 996 331 261 05 | cross member                   | 98      | 1   |       |
| (6) | A 996 331 261 06 | cross member                   | -99     | 1   |       |
| (6) | A 996 331 261 07 | cross member                   | -01     | 1   |       |
| (6) | 996 331 261 10   | cross member                   | 02-     | 1   |       |
| 7   | 999 076 053 09   | hexagon nut<br>M 10            |         | 2   |       |

|       |      |    |    |              |              |        |       |            |         |     |         |
|-------|------|----|----|--------------|--------------|--------|-------|------------|---------|-----|---------|
| Model | Year | MG | SG | Illustration | Restrictions | Update | 11:27 | 25.11.2005 | PORSCHE | PET | PORSCHE |
| 996   | 05   | 5  | 01 | 501-01       |              | 194    |       |            |         |     |         |

| Pos  | Part Number      | Name                        | Remarks | Qty | Model | Pos | Part Number | Name | Remarks | Qty | Model |
|------|------------------|-----------------------------|---------|-----|-------|-----|-------------|------|---------|-----|-------|
| 8    | 996 331 171 03   | transverse strut front      |         | 1   | M 480 |     |             |      |         |     |       |
| (8)  | 996 331 171 04   | transverse strut front      |         | 1   | M 249 |     |             |      |         |     |       |
| 9    | 999 072 031 09   | hexagon-head bolt M 10 X 45 |         | 2   |       |     |             |      |         |     |       |
| 10   | A 996 331 081 02 | strut                       | -04     | 2   |       |     |             |      |         |     |       |
| (10) | 997 331 081 01   | strut                       | 05-     | 2   |       |     |             |      |         |     |       |
| 11   | 996 331 385 00   | rubber mounting             |         | 6   |       |     |             |      |         |     |       |
| 12   | 999 072 031 09   | hexagon-head bolt M 10 X 45 |         | 2   |       |     |             |      |         |     |       |
| 13   | 900 378 072 09   | hexagon-head bolt M 12 X 30 |         | 2   |       |     |             |      |         |     |       |
| 14   | 999 061 102 09   | stud M 12 X 1,5             |         | 4   |       |     |             |      |         |     |       |
| 15   | 999 061 103 09   | stud M 12 X 1,5             |         | 2   |       |     |             |      |         |     |       |
| 16   | 999 084 445 09   | hexagon nut M 12 X 1,5      |         | 6   |       |     |             |      |         |     |       |
| 17   | 996 331 291 02   | washer                      |         | 6   |       |     |             |      |         |     |       |
| 18   | 996 341 371 03   | support                     | 99-     | 1   | M 601 |     |             |      |         |     |       |
| 19   | 900 380 015 09   | hexagon nut VM 6            | 99-     | 2   | M 601 |     |             |      |         |     |       |
| 20   | 996 331 375 01   | strut                       | 99-     | 1   | M 601 |     |             |      |         |     |       |
| 21   | 996 631 121 00   | sensor                      | 99-     | 1   | M 601 |     |             |      |         |     |       |
| 22   | N 014 129 12     | oval-head screw M 5 X 10    | 99-     | 2   | M 601 |     |             |      |         |     |       |
|      |                  | - - - E N D - - -           |         |     |       |     |             |      |         |     |       |

|       |      |    |    |              |              |        |       |            |         |     |         |
|-------|------|----|----|--------------|--------------|--------|-------|------------|---------|-----|---------|
| Model | Year | MG | SG | Illustration | Restrictions | Update | 11:27 | 25.11.2005 | PORSCHE | PET | PORSCHE |
| 996   | 05   | 5  | 01 | 501-03       |              | 194    |       |            |         |     |         |

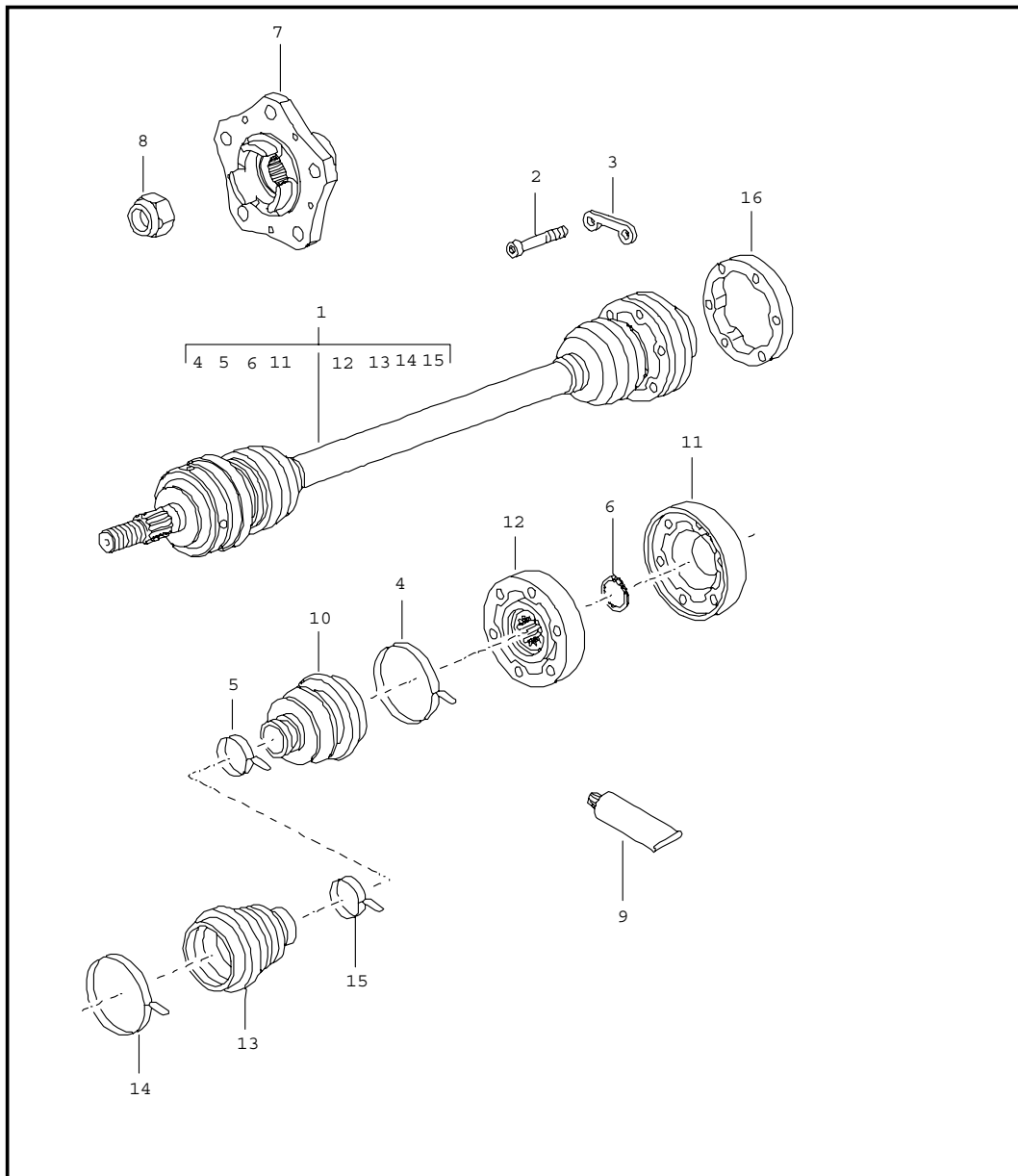


| Pos | Part Number      | Name  | Remarks | Qty | Model  |
|-----|------------------|---|---------|-----|--|
|     |                  | stabiliser<br>see technical manual<br>42-27<br>42-28<br>42-29<br>F >>99XS6 08187<br>F >>99XS6 46091<br>F >>99XS6 08184<br>F >>99XS6 46090 |         |     |  |
| 1   | A 996 333 701 12 | stabiliser  | 99      | 1   | COUPE<br>1 COUPE<br>M 030/249<br>1 CABRIO<br>1 CABRIO<br>M 339 |
| (1) | A 996 333 701 13 | stabiliser  | 99      | 1   | COUPE<br>M 030/480   |
|     |                  |   | 99      | 1   | COUPE<br>M 339   |
|     |                  |   | 99      | 1   | CABRIO<br>M 030/339  |
|     |                  |   | 99      | 1   | X74/338  |
| (1) | 996 333 701 15   | stabiliser  | 99      | 1   | COUPE<br>M 030/339   |
|     |                  | F 99XS6 08188>><br>F 99XS6 46092>><br>F 99XS6 08185>><br>F 99XS6 46091>>  |         |     |  |
| 1   | A 996 333 701 16 | stabiliser<br>18,50 MM  |         | 1   | COUPE<br>M 338<br>1 COUPE<br>M338/030/249                      |
|     |                  |   |         | 1   | CABRIO<br>M 338  |
|     |                  |   |         | 1   | CABRIO<br>M 339  |
|     |                  |   |         | 1   | CABRIO<br>M338/030/249   |
| (1) | A 996 333 701 17 | stabiliser<br>19,60 MM  |         | 1   | COUPE<br>M338/030/480  |
|     |                  |   |         | 1   | COUPE<br>M 339   |
|     |                  |   |         | 1   | CABRIO<br>M338/030/480   |
|     |                  |   |         | 1   | CABRIO<br>M 339/030  |

|       |      |    |    |              |              |        |       |            |         |     |         |
|-------|------|----|----|--------------|--------------|--------|-------|------------|---------|-----|---------|
| Model | Year | MG | SG | Illustration | Restrictions | Update | 11:27 | 25.11.2005 | PORSCHE | PET | PORSCHE |
| 996   | 05   | 5  | 01 | 501-03       |              | 194    |       |            |         |     |         |

| Pos | Part Number    | Name                            | Remarks | Qty | Model     | Pos | Part Number | Name | Remarks | Qty | Model |
|-----|----------------|---------------------------------|---------|-----|-----------|-----|-------------|------|---------|-----|-------|
| (1) | 996 333 701 19 | stabiliser<br>19,60 MM          | 00-     | 1   | X74/338   |     |             |      |         |     |       |
| (1) | 996 333 705 03 | stabiliser<br>21,70 MM          | 00-     | 1   | X74/339   |     |             |      |         |     |       |
| (1) | 996 333 701 20 | stabiliser<br>20,70 MM          |         | 1   | COUPE     |     |             |      |         |     |       |
|     |                |                                 | 02-     | 1   | M 339/030 |     |             |      |         |     |       |
|     |                |                                 |         | 1   | C 4-S     |     |             |      |         |     |       |
| (1) | 996 333 701 19 | stabiliser                      | 02-     | 1   | TARGA     |     |             |      |         |     |       |
|     |                |                                 | 02-     | 1   | TARGA     |     |             |      |         |     |       |
|     |                |                                 |         | 1   | M 249/030 |     |             |      |         |     |       |
| (1) | 996 333 701 20 | stabiliser                      | 02-     | 1   | TARGA     |     |             |      |         |     |       |
|     |                |                                 | 02-     | 1   | M 480/030 |     |             |      |         |     |       |
|     |                |                                 |         | 1   | C 4-S     |     |             |      |         |     |       |
| 2   | 996 333 792 24 | stabiliser mounting<br>18,70 MM | 98-     | 2   |           |     |             |      |         |     |       |
| (2) | 996 333 792 25 | stabiliser mounting<br>19,80 MM | 98-     | 2   |           |     |             |      |         |     |       |
|     |                |                                 | 02-     | 2   | TARGA     |     |             |      |         |     |       |
|     |                |                                 | 02-     | 2   | TARGA     |     |             |      |         |     |       |
|     |                |                                 |         | 2   | M 249/030 |     |             |      |         |     |       |
| (2) | 996 333 792 26 | stabiliser mounting<br>20,90 MM | 98-     | 2   |           |     |             |      |         |     |       |
|     |                |                                 | 02-     | 2   | TARGA     |     |             |      |         |     |       |
|     |                |                                 |         | 2   | M 480/030 |     |             |      |         |     |       |
| (2) | 996 333 792 26 | stabiliser mounting             | 02-     | 2   | C 4-S     |     |             |      |         |     |       |
| 3   | 996 333 777 01 | clamp                           | 98-     | 2   |           |     |             |      |         |     |       |
| 4   | 900 378 055 09 | hexagon-head bolt<br>AM 8 X 40  | 98-     | 4   |           |     |             |      |         |     |       |
| 5   | 996 333 069 02 | stabiliser mounting             | -99     | 2   |           |     |             |      |         |     |       |
| (5) | 996 333 069 03 | stabiliser mounting             | 00-     | 2   |           |     |             |      |         |     |       |
| 6   | 999 084 643 09 | hexagon nut<br>M 10             | 98-     | 2   |           |     |             |      |         |     |       |
|     |                | - - - E N D - - -               |         |     |           |     |             |      |         |     |       |

|       |      |    |    |              |              |        |       |            |         |     |         |
|-------|------|----|----|--------------|--------------|--------|-------|------------|---------|-----|---------|
| Model | Year | MG | SG | Illustration | Restrictions | Update | 11:27 | 25.11.2005 | PORSCHE | PET | PORSCHE |
| 996   | 05   | 5  | 01 | 501-05       |              | 194    |       |            |         |     |         |



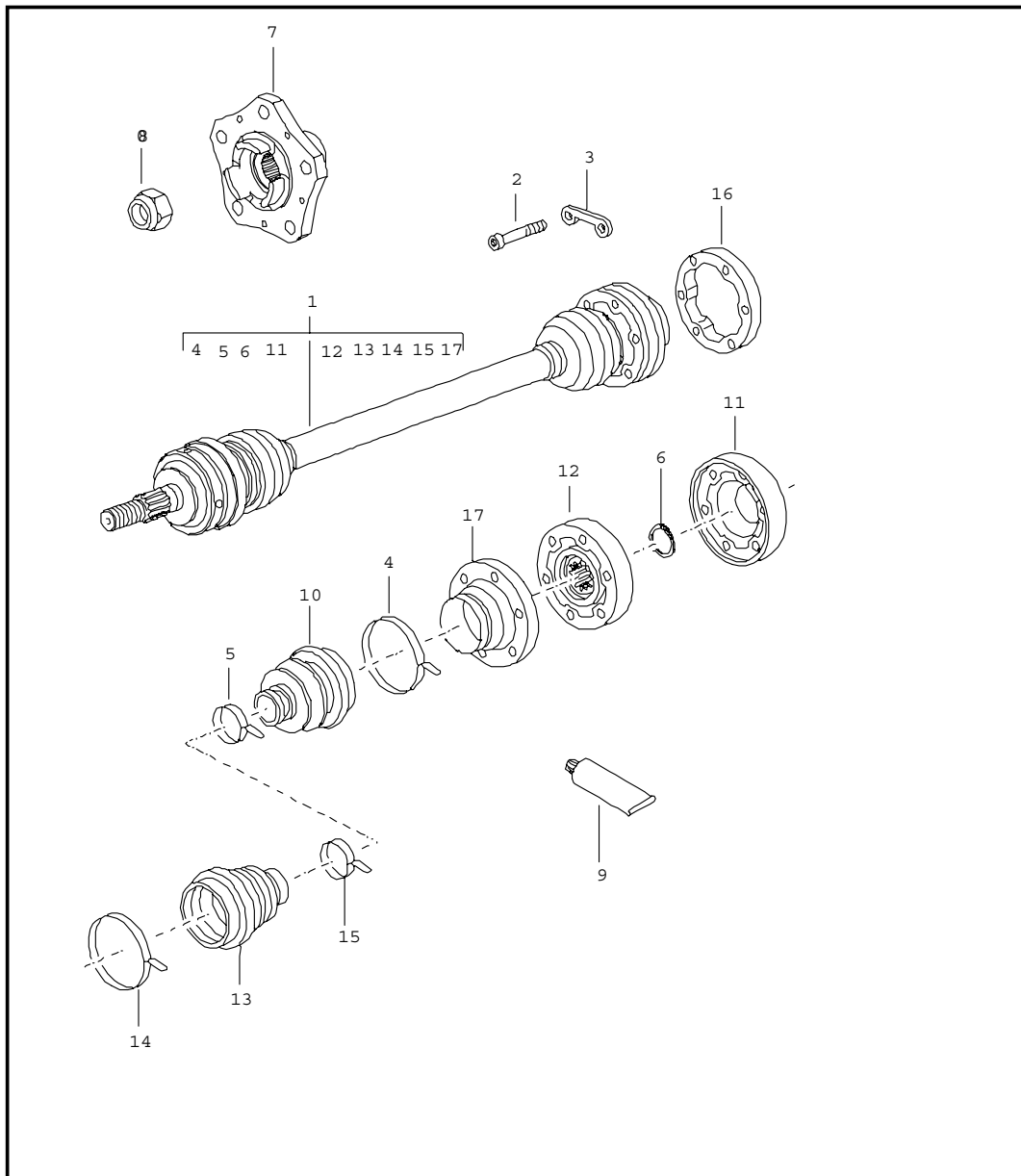
| Pos | Part Number    | Name  | Remarks | Qty | Model |
|-----|----------------|---|---------|-----|-------|
|     |                | drive shaft                                     |         |     |       |
|     |                | wheel hub                                       |         |     |       |
|     |                | F >>992S6 03555                                 |         |     | M 480 |
|     |                | F >>992S6 42147                                 |         |     | M 480 |
|     |                | F >>992S6 30713                                 |         |     | M 480 |
|     |                | F >>992S6 03622                                 |         |     | M 249 |
|     |                | F >>992S6 42181                                 |         |     | M 249 |
|     |                | F >>992S6 30736                                 |         |     | M 249 |
| 1   | 996 332 024 04 | drive shaft                                     | -01     | 2   | M 249 |
| (1) | 996 332 024 05 | drive shaft                                     | 02-     | 2   | M 249 |
| (1) | 996 332 024 03 | drive shaft                                     |         | 2   | M 480 |
| 2   | 900 067 123 09 | pan-head screw<br>M 10 X 50                     |         | 12  | M 480 |
| (2) | 999 510 041 09 | pan-head screw<br>M 10 X 65                     |         | 12  | M 249 |
| 3   | 993 332 191 00 | plate   |         | 6   |       |
| 4   | 911 332 257 00 | clip<br>\$ 73 MM                                |         | 2   |       |
| 5   | 928 332 257 01 | clip<br>\$ 34 MM                                |         | 2   |       |
| 6   | 900 041 014 00 | circlip   |         | 2   |       |
| 7   | 997 331 605 00 | wheel hub                                       |         | 2   |       |
| 8   | 999 084 641 02 | lock nut<br>M 22 X 1,5                          |         | 2   |       |
| 9   | 000 043 110 00 | grease<br>1 tube 100 g                          |         | X   |       |
| (9) | 000 043 205 36 | sealing compound<br>drive shaft<br>1 tube 100 g |         | X   |       |
| 10  | 928 332 293 02 | dust bellows                                    |         | 2   |       |
| -   | 911 332 259 01 | support<br>for<br>dust bellows                  |         | 2   |       |
| 11  | 928 332 267 01 | cover   |         | 2   |       |
| 12  | 911 332 030 01 | joint   |         | 2   |       |
| 13  | 928 332 293 02 | dust bellows                                    |         | 2   |       |
| 14  | 911 332 257 00 | clip  |         | 2   |       |

|       |      |    |    |              |              |        |       |            |         |     |         |
|-------|------|----|----|--------------|--------------|--------|-------|------------|---------|-----|---------|
| Model | Year | MG | SG | Illustration | Restrictions | Update |       |            |         |     |         |
| 996   | 05   | 5  | 01 | 501-05       |              | 194    | 11:27 | 25.11.2005 | PORSCHE | PET | PORSCHE |

| Pos | Part Number    | Name              | Remarks | Qty | Model | Pos | Part Number | Name | Remarks | Qty | Model |
|-----|----------------|-------------------|---------|-----|-------|-----|-------------|------|---------|-----|-------|
| 15  | 928 332 257 01 | clip              |         | 2   |       |     |             |      |         |     |       |
| 16  | 996 332 229 01 | spacer ring       | 02-     | 2   | M 249 |     |             |      |         |     |       |
|     |                | - - - E N D - - - |         |     |       |     |             |      |         |     |       |



|       |      |    |    |              |              |        |       |            |         |     |         |
|-------|------|----|----|--------------|--------------|--------|-------|------------|---------|-----|---------|
| Model | Year | MG | SG | Illustration | Restrictions | Update | 11:28 | 25.11.2005 | PORSCHE | PET | PORSCHE |
| 996   | 05   | 5  | 01 | 501-06       |              | 194    |       |            |         |     |         |

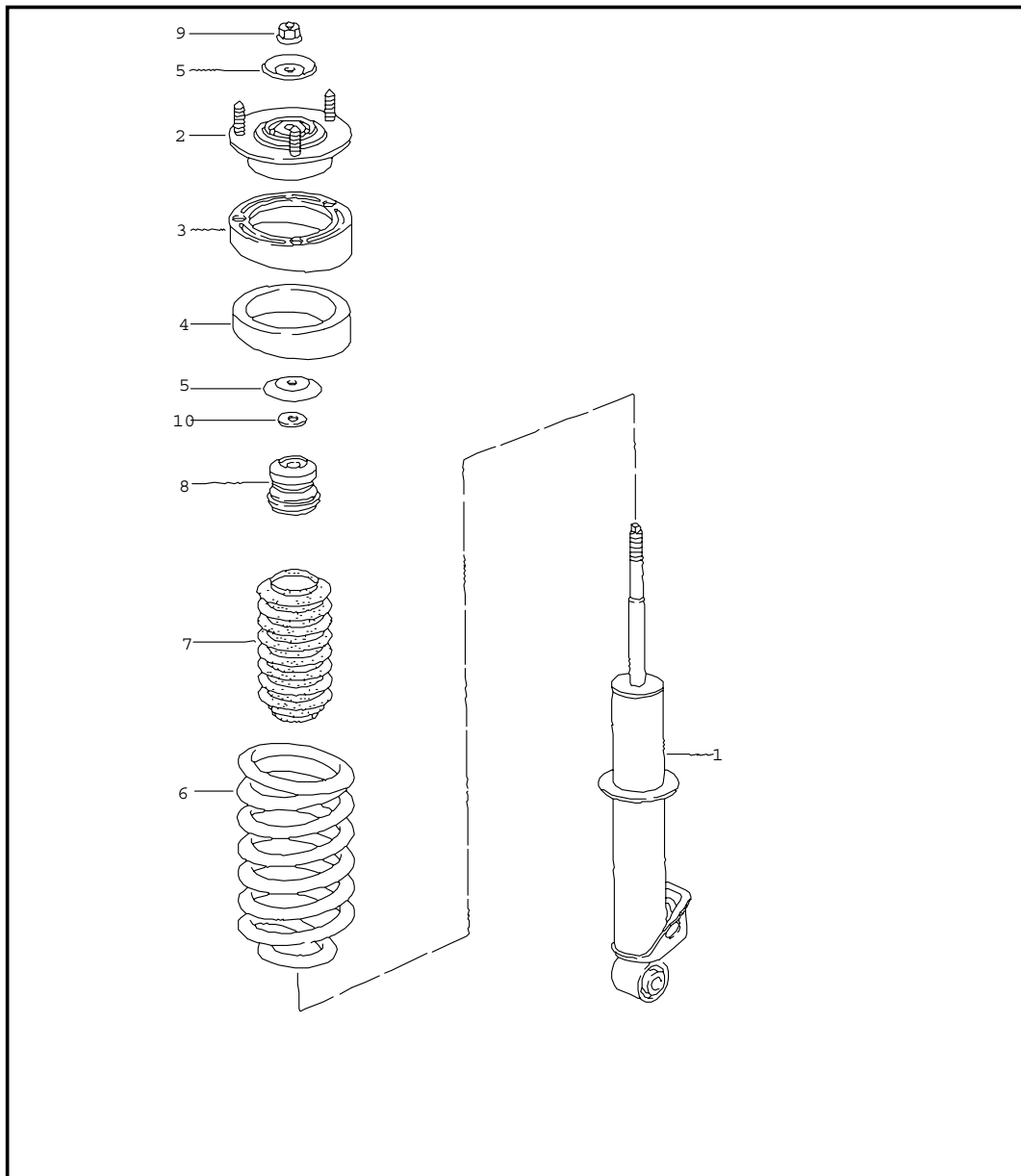


| Pos  | Part Number      | Name                                   | Remarks | Qty | Model |
|------|------------------|--|---------|-----|-------|
|      |                  | drive shaft<br>wheel hub               |         |     |       |
|      |                  | F 992S6 03556>>                        |         |     | M 480 |
|      |                  | F 992S6 42148>>                        |         |     | M 480 |
|      |                  | F 992S6 30714>>                        |         |     | M 480 |
|      |                  | F 992S6 03623>>                        |         |     | M 249 |
|      |                  | F 992S6 42182>>                        |         |     | M 249 |
|      |                  | F 992S6 30737>>                        |         |     | M 249 |
| 1    | 996 332 024 06   | drive shaft                            |         | 2   | M 480 |
| (1)  | 996 332 024 07   | drive shaft                            |         | 2   | M 249 |
| 2    | 900 067 229 09   | pan-head screw<br>M 10 X 48,4          |         | 12  | M 480 |
| (2)  | 999 510 043 09   | pan-head screw<br>M 10 X 61            |         | 12  | M 249 |
| 3    | 993 332 191 00   | plate                                  |         | 6   |       |
| (3)  | 996 332 191 00   | plate                                  |         | 6   |       |
| 4    | 996 332 957 00   | clip<br>\$ 73 MM                       |         | 2   |       |
| 5    | 996 332 257 00   | clip<br>\$ 34 MM                       |         | 2   |       |
| 6    | 900 041 014 00   | circlip                                |         | 2   |       |
| 7    | 997 331 605 00   | wheel hub                              |         | 2   |       |
| 8    | 999 084 641 02   | lock nut<br>M 22 X 1,5                 | -03     | 2   |       |
| (8)  | 999 084 641 02   | lock nut<br>M 22 X 1,5                 | 04-     | 2   |       |
| 9    | 000 043 110 01   | grease for drive shaft<br>1 tube 100 g |         | X   |       |
| 10   | 996 332 293 00   | dust bellows                           |         | 2   |       |
| 11   | 928 332 267 01   | cover                                  |         | 2   |       |
| 12   | 996 332 030 00   | joint                                  |         | 2   |       |
| 13   | 996 332 293 00   | dust bellows                           |         | 2   |       |
| 14   | 996 332 957 00   | clip                                   |         | 2   |       |
| 15   | 996 332 257 00   | clip                                   |         | 2   |       |
| 16   | A 996 332 229 00 | spacer ring                            | 02      | 2   | M 249 |
| (16) | 996 332 229 01   | spacer ring                            | 03-     | 2   | M 249 |

|       |      |    |    |              |              |        |       |            |         |     |         |
|-------|------|----|----|--------------|--------------|--------|-------|------------|---------|-----|---------|
| Model | Year | MG | SG | Illustration | Restrictions | Update |       |            |         |     |         |
| 996   | 05   | 5  | 01 | 501-06       |              | 194    | 11:28 | 25.11.2005 | PORSCHE | PET | PORSCHE |

| Pos | Part Number    | Name              | Remarks | Qty | Model | Pos | Part Number | Name | Remarks | Qty | Model |
|-----|----------------|-------------------|---------|-----|-------|-----|-------------|------|---------|-----|-------|
| 17  | 996 332 259 00 | support           |         | 2   |       |     |             |      |         |     |       |
|     |                | - - - E N D - - - |         |     |       |     |             |      |         |     |       |

|       |      |    |    |              |              |        |       |            |         |     |         |
|-------|------|----|----|--------------|--------------|--------|-------|------------|---------|-----|---------|
| Model | Year | MG | SG | Illustration | Restrictions | Update | 11:28 | 25.11.2005 | PORSCHE | PET | PORSCHE |
| 996   | 05   | 5  | 02 | 502-00       |              | 194    |       |            |         |     |         |



| Pos   | Part Number    | Name                             | Remarks | Qty | Model                 |
|-------|----------------|----------------------------------|---------|-----|-----------------------|
|       |                | shock absorber<br>coil spring    |         |     |                       |
| 1     | 996 333 051 04 | shock absorber<br>- bilstein -   | -01     | 2   |                       |
| (1)   | 996 333 051 21 | vibration damper<br>- bilstein - | 02      | 2   |                       |
| (1) A | 996 333 051 25 | shock absorber<br>- bilstein -   | 03      | 2   |                       |
| (1)   | 996 333 051 33 | shock absorber<br>- bilstein -   | 04-     | 2   |                       |
| (1)   | 996 333 051 13 | shock absorber<br>- bilstein -   | -01     | 2   | M 030                 |
| (1)   | 996 333 051 22 | vibration damper<br>- bilstein - | 02      | 2   | M 030                 |
| (1)   | 996 333 051 26 | shock absorber<br>- bilstein -   | 03      | 2   | M 030                 |
| (1)   | 996 333 051 34 | shock absorber<br>- bilstein -   | 04-     | 2   | M 030                 |
| (1)   | 996 333 051 24 | vibration damper<br>- bilstein - | 02      | 2   | C 4-S                 |
| (1) A | 996 333 051 28 | shock absorber<br>- bilstein -   | 03      | 2   | C 4-S<br>COUPE        |
| (1)   | 996 333 051 40 | shock absorber<br>- bilstein -   | 04-     | 2   | C 4-S<br>COUPE        |
| (1) U | 996 333 051 30 | shock absorber<br>- bilstein -   | 04-     | 2   | C 4-S<br>CABRIO       |
| (1)   | 996 333 051 41 | shock absorber<br>- bilstein -   | 04-     | 2   | C 4-S<br>CABRIO       |
| (1)   | 996 333 051 26 | shock absorber<br>- bilstein -   | 04-     | 2   | M 095                 |
| (1)   | 996 333 980 06 | shock absorber                   | -01     | 2   | X74                   |
| (1) A | 996 333 980 10 | shock absorber                   | 02-03   | 2   | X74                   |
| (1) A | 996 333 980 10 | shock absorber                   | 03      | 2   | X73<br>C 4-S<br>COUPE |
| (1)   | 996 333 980 24 | vibration damper                 | 04-     | 2   | X73<br>C 4-S<br>COUPE |
|       |                |                                  | 04-     | 2   | X74                   |

|       |      |    |    |              |              |        |       |            |         |     |         |
|-------|------|----|----|--------------|--------------|--------|-------|------------|---------|-----|---------|
| Model | Year | MG | SG | Illustration | Restrictions | Update | 11:28 | 25.11.2005 | PORSCHE | PET | PORSCHE |
| 996   | 05   | 5  | 02 | 502-00       |              | 194    |       |            |         |     |         |

| Pos | Part Number    | Name   | Remarks | Qty | Model       | Pos | Part Number    | Name   | Remarks    | Qty    | Model                       |
|-----|----------------|--|---------|-----|-------------|-----|----------------|--|------------|--------|-----------------------------|
| -   | 900 378 138 09 | mount<br>shock absorber  |         | 2   |             |     | 504            | marked<br>brown<br>red<br>F >>991S6 41090<br>F >>991S6 00547<br>F >>991S6 40407<br>F >>991S6 40432 |            |        |                             |
| -   | 999 084 445 09 | hexagon-head bolt<br>M 12 X 1,5 X 70   |         | 2   |             |     |                |  |            |        |                             |
| -   | 999 084 445 09 | hexagon nut<br>M 12 X 1,5  |         | 2   |             |     |                |  |            |        |                             |
| 2   | 996 333 059 03 | supporting mount   |         | 2   |             | (6) | 996 333 531 37 | coil spring<br>1 set   | -01        | 1      | M 249 COUPE                 |
| -   | 900 380 008 09 | hexagon nut<br>M 10  |         | 6   |             |     | 504            | marked<br>brown<br>red<br>F 991S6401091>><br>F 991S6 00548>><br>F 991S6 40408>><br>F 991S6 40433>> |            |        |                             |
| 3   | 996 333 511 02 | compensating plate<br>0,5 MM   |         | X   |             |     |                |  |            |        |                             |
| (3) | 996 333 511 03 | compensating plate<br>4,0 MM   |         | X   |             |     |                |  |            |        |                             |
| 4   | 993 333 504 00 | ring   |         | 2   |             | (6) | 996 333 531 24 | coil spring<br>1 set   | 02-        | 1      | M 249 COUPE                 |
| 5   | 996 333 107 00 | stop plate   |         | 4   |             |     | 504            | marked<br>brown<br>red   |            |        |                             |
| 6   | 996 333 531 03 | coil spring<br>1 set   |         | 1   | M 480 COUPE | (6) | 996 333 531 04 | coil spring<br>1 set   |            | 1      | M 480 CABRIO                |
|     |                | 504 marked<br>brown<br>white<br>F >>991S6 41090<br>F >>991S6 00547<br>F >>991S6 40407<br>F >>991S6 40432 |         |     |             |     | 504            | marked<br>brown<br>red<br>F >>991S6 41090<br>F >>991S6 00547<br>F >>991S6 40407<br>F >>991S6 40432 |            |        |                             |
| (6) | 996 333 531 36 | coil spring<br>1 set   | -01     | 1   | M 480 COUPE | (6) | 996 333 531 37 | coil spring<br>1 set   | -01        | 1      | M 480 CABRIO                |
|     |                | 504 marked<br>brown<br>white<br>F 991S6 41091>><br>F 991S6 00548>><br>F 991S6 40408>><br>F 991S6 40433>> |         |     |             |     | 504            | marked<br>brown<br>red<br>F 991S6 41091>><br>F 991S6 00548>><br>F 991S6 40408>><br>F 991S6 40433>> |            |        |                             |
| (6) | 996 333 531 23 | coil spring<br>1 set   | 02-     | 1   | M 480 COUPE | (6) | 996 333 531 24 | coil spring<br>1 set   | 02-<br>02- | 1<br>1 | M 480 CABRIO<br>M 480 TARGA |
|     |                | 504 marked<br>brown<br>white   |         |     |             |     | 504            | marked<br>brown<br>red   |            |        |                             |
| (6) | 996 333 531 04 | coil spring<br>1 set   |         | 1   | M 249 COUPE | (6) | 996 333 531 05 | coil spring<br>1 set   |            | 1      | M 249 CABRIO                |

|       |      |    |    |              |              |        |       |            |         |     |         |
|-------|------|----|----|--------------|--------------|--------|-------|------------|---------|-----|---------|
| Model | Year | MG | SG | Illustration | Restrictions | Update | 11:28 | 25.11.2005 | PORSCHE | PET | PORSCHE |
| 996   | 05   | 5  | 02 | 502-00       |              | 194    |       |            |         |     |         |

| Pos | Part Number      | Name  | Remarks    | Qty    | Model                       | Pos | Part Number    | Name   | Remarks           | Qty         | Model   |
|-----|------------------|---|------------|--------|-----------------------------|-----|----------------|--|-------------------|-------------|---|
|     | 504              | marked<br>brown<br>yellow<br>F >>991S6 41090<br>F >>991S6 00547<br>F >>991S6 40407<br>F >>991S6 40432 |            |        |                             |     | 504            | marked<br>green<br>white<br>F 991S6 41091>><br>F 991S6 00548>><br>F 991S6 40408>><br>F 991S6 40433>> |                   |             |   |
| (6) | 996 333 531 38   | coil spring<br>1 set  | -01        | 1      | M 249 CABRIO                | (6) | 996 333 531 26 | coil spring<br>1 set   | 02-               | 1           | M 030/480<br>COUPE  |
|     | 504              | marked<br>brown<br>yellow<br>F 991S6 41091>><br>F 991S6 00548>><br>F 991S6 40408>><br>F 991S6 40433>> |            |        |                             |     | 504            | marked<br>green<br>white   |                   |             |   |
| (6) | 996 333 531 25   | coil spring<br>1 set  | 02-<br>02- | 1<br>1 | M 249 CABRIO<br>M 249 TARGA | (6) | 996 333 531 12 | coil spring<br>1 set   |                   | 1<br>1      | M 030/249<br>COUPE<br>M 030/480<br>CABRIO                       |
|     | 504              | marked<br>brown<br>yellow   |            |        |                             |     | 504            | marked<br>green<br>red<br>F >>991S6 41090<br>F >>991S6 00547<br>F >>991S6 40407<br>F >>991S6 40432   |                   |             |   |
| (6) | A 996 333 531 18 | coil spring<br>1 set  |            | 1      | M 249 CABRIO                | (6) | 996 333 531 40 | coil spring<br>1 set   | -01<br>-01        | 1<br>1      | M 030/249<br>COUPE<br>M 030/480<br>CABRIO                       |
|     | 504              | marked<br>blue<br>yellow<br>F >>991S6 41090<br>F >>991S6 00547<br>F >>991S6 40407<br>F >>991S6 40432  |            |        |                             |     | 504            | marked<br>green<br>red<br>F 991S6 41091>><br>F 991S6 00548>><br>F 991S6 40408>><br>F 991S6 40433>>   |                   |             |   |
| (6) | 996 333 531 11   | coil spring<br>1 set  |            | 1      | M 030/480<br>COUPE          | (6) | 996 333 531 27 | coil spring<br>1 set   | 02-<br>02-<br>02- | 1<br>1<br>1 | M 030/249<br>COUPE<br>M 030/480<br>CABRIO<br>M 030/480<br>TARGA |
|     | 504              | marked<br>green<br>white<br>F >>991S6 41090<br>F >>991S6 00547<br>F >>991S6 40407<br>F >>991S6 40432  |            |        |                             |     | 504            | marked<br>green<br>red   |                   |             |   |
| (6) | 996 333 531 39   | coil spring<br>1 set  | -01        | 1      | M 030/480<br>COUPE          | (6) | 996 333 531 13 | coil spring<br>1 set   |                   | 1           | M 030/249<br>CABRIO   |

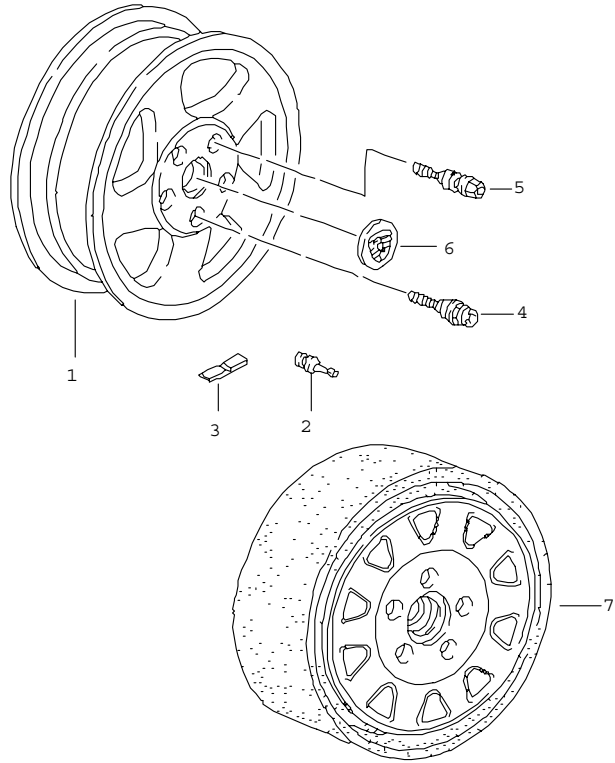
|       |      |    |    |              |              |        |       |            |         |     |         |
|-------|------|----|----|--------------|--------------|--------|-------|------------|---------|-----|---------|
| Model | Year | MG | SG | Illustration | Restrictions | Update | 11:28 | 25.11.2005 | PORSCHE | PET | PORSCHE |
| 996   | 05   | 5  | 02 | 502-00       |              | 194    |       |            |         |     |         |

| Pos   | Part Number    | Name  | Remarks    | Qty | Model                                       | Pos   | Part Number    | Name   | Remarks | Qty | Model                 |
|-------|----------------|---|------------|-----|---|-------|----------------|--|---------|-----|-----------------------|
|       | 504            | marked<br>green<br>yellow<br>F >>991S6 41090<br>F >>991S6 00547<br>F >>991S6 40407<br>F >>991S6 40432 |            |     |   | (6)   | 996 333 531 56 | coil spring<br>1 set                                   | 04-     | 1   | M 095                 |
|       | 504            | marked<br>green<br>yellow   |            |     |   |       | 504            | marked<br>green<br>green                               |         |     |                       |
| (6)   | 996 333 531 41 | coil spring<br>1 set  | -01        | 1   | M 030/249<br>CABRIO                         | (6)   | 996 333 980 07 | coil spring<br>1 set                                   | -01     | 1   | X74                   |
|       | 504            | marked<br>green<br>yellow<br>F 991S6 41091>><br>F 991S6 00548>><br>F 991S6 40408>><br>F 991S6 40433>> |            |     |   |       | 504            | marked<br>red lilac<br>creamy white                    |         |     |                       |
| (6)   | 996 333 531 28 | coil spring   | 02-<br>02- | 1   | M 030/249<br>CABRIO<br>1 M 030/249<br>TARGA | (6)   | 996 333 980 07 | coil spring<br>1 set                                   | 02-     | 1   | X74                   |
|       | 504            | marked<br>green<br>yellow   |            |     |   |       | 504            | marked<br>red lilac<br>creamy white<br>F >>992S6 03565 |         |     |                       |
| (6)   | 996 333 531 48 | coil spring<br>1 set  | 02-        | 1   | C 4-S<br>COUPE                              | (6)   | 996 333 980 11 | coil spring<br>1 set                                   |         | 1   | X74                   |
|       | 504            | marked<br>blue<br>white   |            |     | M 480                                       |       | 504            | marked<br>red lilac<br>creamy white<br>F 992S6 03566>> |         |     |                       |
| (6)   | 996 333 531 49 | coil spring<br>1 set  | 02-        | 1   | C 4-S<br>COUPE                              | (6)   | 996 333 980 13 | coil spring<br>1 set                                   | 03-     | 1   | X73<br>C 4-S          |
|       | 504            | marked<br>blue<br>red   |            |     | M 249                                       |       | 504            | marked<br>creamy white<br>silver                       |         |     | COUPE                 |
| (6) U | 996 333 531 53 | coil spring<br>1 set  | 04-        | 1   | C 4-S<br>CABRIO                             | 7     | 993 333 107 01 | bellows  |         | 2   |                       |
|       | 504            | marked<br>blue<br>red   |            |     | M 249                                       | 8     | 996 333 105 02 | additional spring                                      |         | 2   |                       |
| (6)   | 996 333 531 53 | coil spring<br>1 set  | 04-        | 1   | C 4-S<br>CABRIO                             | (8)   | 964 333 105 80 | additional spring                                      | -01     | 2   | X74                   |
|       | 504            | marked<br>blue<br>violet  |            |     | M 249                                       | -     | 911 333 511 00 | washer   | -01     | 2   | X74                   |
| (6)   | 996 333 531 58 | coil spring<br>1 set  | 04-        | 1   | C 4-S<br>CABRIO                             | (8) A | 996 333 105 03 | additional spring                                      |         | 2   | M 030                 |
|       | 504            | marked<br>blue<br>violet  |            |     | M 249                                       | (8)   | 996 333 105 03 | additional spring                                      | 02-     | 2   | M 030<br>C 4-S        |
| (6)   | 996 333 531 58 | coil spring<br>1 set  | 04-        | 1   | C 4-S<br>CABRIO                             | (8)   | 996 333 105 03 | additional spring                                      | 02-     | 2   | X74                   |
|       | 504            | marked<br>blue<br>violet  |            |     | M 249                                       | (8)   | 996 333 105 03 | additional spring                                      | 03-     | 2   | X73<br>C 4-S<br>COUPE |
|       |                |   |            |     |   | 9     | 999 084 445 09 | hexagon nut<br>M 10                                    |         | 2   |                       |

|       |      |    |    |              |              |        |       |            |         |     |         |
|-------|------|----|----|--------------|--------------|--------|-------|------------|---------|-----|---------|
| Model | Year | MG | SG | Illustration | Restrictions | Update | 11:28 | 25.11.2005 | PORSCHE | PET | PORSCHE |
| 996   | 05   | 5  | 02 | 502-00       |              | 194    |       |            |         |     |         |

| Pos | Part Number    | Name                                 | Remarks | Qty | Model | Pos | Part Number | Name | Remarks | Qty | Model |
|-----|----------------|--------------------------------------|---------|-----|-------|-----|-------------|------|---------|-----|-------|
| 10  | 999 025 240 02 | washer<br>mount<br>shock absorber    |         | 2   |       |     |             |      |         |     |       |
| -   | 900 378 138 09 | hexagon-head bolt<br>M 12 X 1,5 X 70 |         | 2   |       |     |             |      |         |     |       |
| -   | 999 084 445 09 | hexagon nut<br>M 12 X 1,5            |         | 2   |       |     |             |      |         |     |       |
| -   | 900 380 008 09 | hexagon nut<br>M 10                  |         | 6   |       |     |             |      |         |     |       |
|     |                | - - - E N D - - -                    |         |     |       |     |             |      |         |     |       |

|       |      |    |    |              |              |        |       |            |         |     |         |
|-------|------|----|----|--------------|--------------|--------|-------|------------|---------|-----|---------|
| Model | Year | MG | SG | Illustration | Restrictions | Update | 11:28 | 25.11.2005 | PORSCHE | PET | PORSCHE |
| 996   | 05   | 6  | 01 | 601-00       |              | 194    |       |            |         |     |         |



| Pos | Part Number    | Name  | Remarks  | Qty | Model |
|-----|----------------|---|----------|-----|-------|
|     |                | wheels  |          |     |       |
| 1   | 993 362 134 05 | disc wheel<br>7,5 J X 18<br>ET 50                 | /V       | 2   | M 408 |
| (1) | 993 362 134 06 | disc wheel<br>7,5 J X 18<br>ET 50                 | /V -01   | 2   | M 413 |
| (1) | 993 362 136 01 | disc wheel<br>8 J X 18<br>ET52                    | /V 02-   | 2   | M 413 |
| (1) | 993 362 136 50 | disc wheel<br>8 J X 18<br>ET52                    | /V 02-   | 2   | XRB   |
| (1) | 996 362 136 50 | disc wheel<br>8 J X 18<br>ET 52                   | /V 02-   | 2   | XRL   |
| (1) | 996 362 136 51 | disc wheel<br>8 J X 18<br>ET 50                   | /V 02-   | 2   | XRC   |
| (1) | 996 362 136 07 | disc wheel<br>8 J X 18<br>ET 50                   | /V 04    | 2   | M 417 |
| (1) | 996 362 124 00 | disc wheel<br>7 J X 17<br>ET 55<br>for winter use | /V       | 2   | M 396 |
| (1) | 993 362 140 01 | disc wheel<br>10 J X 18<br>ET 65                  | /H       | 2   | M 408 |
| (1) | 993 362 140 04 | disc wheel<br>10 J X 18<br>ET 65                  | /H       | 2   | M 413 |
| (1) | 993 362 140 50 | disc wheel<br>10 J X 18<br>ET 65                  | /H 02-   | 2   | XRB   |
| (1) | 996 362 128 00 | disc wheel<br>9 J X 17<br>ET 55                   | /H       | 2   | M 396 |
| (1) | 996 362 140 50 | disc wheel<br>10 J X 18<br>ET 65                  | /H 02-   | 2   | XRL   |
| (1) | 996 362 142 51 | disc wheel<br>11 J X 18<br>ET 63                  | /H 02-03 | 2   | XRC   |



|       |      |    |    |              |              |        |       |            |         |     |         |
|-------|------|----|----|--------------|--------------|--------|-------|------------|---------|-----|---------|
| Model | Year | MG | SG | Illustration | Restrictions | Update | 11:28 | 25.11.2005 | PORSCHE | PET | PORSCHE |
| 996   | 05   | 6  | 01 | 601-00       |              | 194    |       |            |         |     |         |

| Pos   | Part Number    | Name                              | Remarks       | Qty | Model          | Pos | Part Number    | Name  | Remarks | Qty | Model          |
|-------|----------------|-----------------------------------|---------------|-----|----------------|-----|----------------|---|---------|-----|----------------|
| (1)   | 996 362 142 52 | disc wheel<br>11 J X 18<br>ET 63  | /H 04-        | 2   | XRC            | (1) | 996 362 140 03 | disc wheel<br>10 J X 18<br>ET 65                    | /H 02-  | 2   | M 411          |
| (1)   | 996 362 124 01 | disc wheel<br>7 J X 17<br>ET 55   | /V 99-        | 2   | M 399          | (1) | 996 362 142 10 | disc wheel<br>11 J X 18<br>ET 45                    | /H 02   | 2   | C 4-S<br>M 415 |
| (1) A | 993 362 134 07 | disc wheel<br>7,5 J X 18<br>ET 50 | /V 00-        | 2   | M 414          | (1) | 996 362 142 10 | disc wheel<br>11 J X 18<br>ET 45                    | /H 03-  | 2   | C 4-S<br>M 415 |
| (1)   | 993 362 134 08 | disc wheel<br>7,5 J X 18<br>ET 50 | /V 00-<br>-01 | 2   | M 414          | (1) | 996 362 142 02 | disc wheel<br>11 J X 18<br>ET 45                    | /H 04-  | 2   | C 4-S<br>M 416 |
| (1)   | 996 362 124 02 | disc wheel<br>7 J X 17<br>ET 50   | /V 02-        | 2   | M 392          | (1) | 996 362 140 01 | disc wheel<br>10 J X 18<br>ET 47<br>for winter use  | /H 02   | 2   | M 415<br>C 4-S |
| (1)   | 996 362 136 01 | disc wheel<br>8 J X 18<br>ET 50   | /V 02-        | 2   | C 4-S<br>M 415 | (1) | 996 362 140 02 | disc wheel<br>10 J X 18<br>ET 47<br>for winter use  | /H 03-  | 2   | M 415<br>C 4-S |
| (1)   | 996 362 136 02 | disc wheel<br>8 J X 18<br>ET 50   | /V 04-        | 2   | C 4-S<br>M 416 | (1) | 996 362 126 05 | disc wheel<br>8,5 J X 17<br>ET 50<br>for winter use | /H      | 2   |                |
| (1)   | 996 362 136 03 | disc wheel<br>8 J X 18<br>ET 50   | /V 02-        | 2   | M 411          | (1) | 996 362 140 04 | disc wheel<br>10 J X 18<br>ET65                     | /H 03-  | 2   |                |
| (1)   | 993 362 136 08 | disc wheel<br>8 J X 18<br>ET 52   | /V 02-        | 2   | M 414          | (1) | 996 362 140 07 | disc wheel<br>10 J X 18<br>ET 65                    | /H 04   | 2   | M 417          |
| (1)   | 996 362 136 01 | disc wheel<br>8 J X 18<br>ET 50   | /V 03-        | 2   | M 415          | 2   | 900 265 001 50 | valve<br>rubber                                     |         | 4   | M 396<br>M 392 |
| (1)   | 996 362 128 01 | disc wheel<br>9 J X 17<br>ET 55   | /H 99-        | 2   | M 399          | (2) | 993 361 073 00 | valve<br>steel                                      |         | 4   | M 408          |
| (1) A | 993 362 140 07 | disc wheel<br>10 J X 18<br>ET 65  | /H 00-        | 2   | M 414          | (2) | 993 361 073 00 | valve<br>steel                                      | 02-     | 4   | XRC            |
| (1)   | 993 362 140 08 | disc wheel<br>10 J X 18<br>ET 65  | /H 00-        | 2   | M 414          | 3   | 901 361 410 50 | balance stick-on weight<br>5 G.                     | -03     | X   |                |
| (1)   | 996 362 128 02 | disc wheel<br>9 J X 17<br>ET 55   | /H 02-        | 2   | M 392          | (3) | 1K0 601 178 C  | balance stick-on weight<br>5 G.                     | 04-     | X   |                |
|       |                |                                   |               |     |                | (3) | 901 361 410 00 | balance stick-on weight<br>10 G.                    | -03     | X   |                |

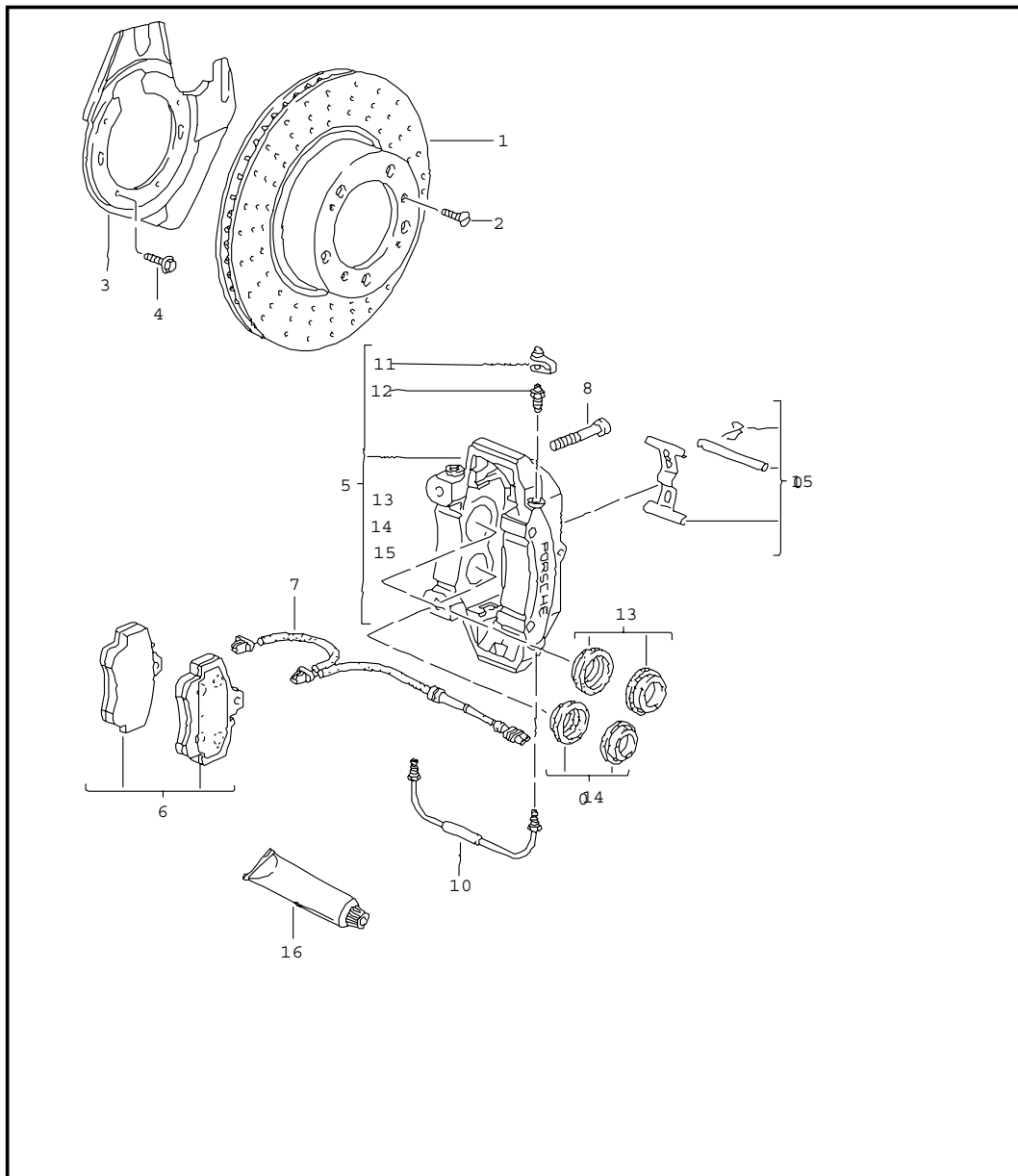
|       |      |    |    |              |              |        |       |            |         |     |         |
|-------|------|----|----|--------------|--------------|--------|-------|------------|---------|-----|---------|
| Model | Year | MG | SG | Illustration | Restrictions | Update | 11:28 | 25.11.2005 | PORSCHE | PET | PORSCHE |
| 996   | 05   | 6  | 01 | 601-00       |              | 194    |       |            |         |     |         |

| Pos | Part Number    | Name                             | Remarks | Qty | Model | Pos   | Part Number    | Name  | Remarks | Qty | Model     |
|-----|----------------|----------------------------------|---------|-----|-------|-------|----------------|---|---------|-----|-----------|
| (3) | 1K0 601 179 C  | balance stick-on weight<br>10 G. | 04-     | X   |       | (3)   | 901 361 415 00 | balance stick-on weight<br>60 G.                                | -03     | X   |           |
| (3) | 901 361 411 50 | balance stick-on weight<br>15 G. | -03     | X   |       | (3)   | 1K0 601 190 C  | balance stick-on weight<br>60 G.                                | 04-     | X   |           |
| (3) | 1K0 601 181 C  | balance stick-on weight<br>15 G. | 04-     | X   |       | 4     | 996 361 057 00 | wheel bolt<br>anti-theft protection<br>1 set                    | -00     | 1   |           |
| (3) | 901 361 411 00 | balance stick-on weight<br>20 G. | -03     | X   |       | (4) A | 996 361 057 01 | wheel bolt<br>anti-theft protection<br>1 set                    | -03     | 1   |           |
| (3) | 1K0 601 182 C  | balance stick-on weight<br>20 G. | 04-     | X   |       | (4)   | 996 361 057 02 | wheel bolt<br>anti-theft protection<br>1 set                    | 04-     | 1   |           |
| (3) | 901 361 412 50 | balance stick-on weight<br>25 G. | -03     | X   |       | (4) A | 996 361 057 90 | wheel bolt<br>anti-theft protection<br>1 set                    | -03     | 1   | XRP       |
| (3) | 1K0 601 183 C  | balance stick-on weight<br>25 G. | 04-     | X   |       | (4)   | 996 361 980 02 | wheel bolt<br>anti-theft protection<br>1 set                    | 04-     | 1   | XRP       |
| (3) | 901 361 412 00 | balance stick-on weight<br>30 G. | -03     | X   |       | 5 A   | 996 361 203 00 | wheel bolt  | -00     | 16  |           |
| (3) | 1K0 601 184 C  | balance stick-on weight<br>30 G. | 04-     | X   |       | (5) A | 996 361 203 01 | wheel bolt<br>see technical information<br>GRUPPE 4<br>NR.10/03 | -03     | 16  |           |
| (3) | 901 361 413 50 | balance stick-on weight<br>35 G. | -03     | X   |       | (5)   | 996 361 203 02 | wheel bolt<br>see technical information<br>GRUPPE 4<br>NR.10/03 | 04-     | 16  |           |
| (3) | 1K0 601 185 C  | balance stick-on weight<br>35 G. | 04-     | X   |       | (5) A | 996 361 203 90 | wheel bolt<br>see technical information<br>GRUPPE 4<br>NR.10/03 | -03     | 16  | XRP       |
| (3) | 901 361 413 00 | balance stick-on weight<br>40 G. | -03     | X   |       | (5)   | 996 361 980 00 | wheel bolt<br>see technical information<br>GRUPPE 4<br>NR.10/03 | 04-     | 16  | XRP       |
| (3) | 1K0 601 186 C  | balance stick-on weight<br>40 G. | 04-     | X   |       | -     | 999 182 003 36 | wheel nut   | 01      | 10  | XRN       |
| (3) | 901 361 414 50 | balance stick-on weight<br>45 G. | -03     | X   |       | -     | 999 182 003 36 | wheel nut   | 02-     | 10  | XRN/C 4-S |
| (3) | 1K0 601 187 C  | balance stick-on weight<br>45 G. | 04-     | X   |       | 6     | 993 361 303 05 | hub cap   | -99     | 4   | M 338     |
| (3) | 901 361 414 00 | balance stick-on weight<br>50 G. | -03     | X   |       |       | 61M            | silver  |         |     |           |
| (3) | 1K0 601 188 C  | balance stick-on weight<br>50 G. | 04-     | X   |       | (6)   | 993 361 303 11 | hub cap   | 00      | 4   | M 338     |
| (3) | 901 361 415 50 | balance stick-on weight<br>55 G. | -03     | X   |       |       |                |   |         |     |           |
| (3) | 1K0 601 189 C  | balance stick-on weight<br>55 G. | 04-     | X   |       |       |                |   |         |     |           |

|       |      |    |    |              |              |        |       |            |         |     |         |
|-------|------|----|----|--------------|--------------|--------|-------|------------|---------|-----|---------|
| Model | Year | MG | SG | Illustration | Restrictions | Update | 11:28 | 25.11.2005 | PORSCHE | PET | PORSCHE |
| 996   | 05   | 6  | 01 | 601-00       |              | 194    |       |            |         |     |         |

| Pos   | Part Number    | Name                                   | Remarks | Qty | Model          | Pos | Part Number | Name              | Remarks | Qty | Model |
|-------|----------------|--|---------|-----|----------------|-----|-------------|-------------------|---------|-----|-------|
|       | 61M            | silver                                 |         |     |                |     |             | - - - E N D - - - |         |     |       |
| (6)   | 993 361 303 11 | hub cap                                | 02-     | 4   | M 338          |     |             |                   |         |     |       |
|       | 9A1            | silver                                 |         |     |                |     |             |                   |         |     |       |
| (6)   | 996 361 303 05 | hub cap                                | 99      | 4   | M 339          |     |             |                   |         |     |       |
|       | 9A1            | silver                                 |         |     |                |     |             |                   |         |     |       |
| (6)   | 996 361 303 10 | hub cap                                | 00-     | 4   | M 339          |     |             |                   |         |     |       |
|       | 9A1            | silver                                 |         |     |                |     |             |                   |         |     |       |
| (6) A | 993 361 303 09 | hub cap                                | -99     | 4   | M 446          |     |             |                   |         |     |       |
|       | 92T            | arctic silver metallic emblem coloured |         |     |                |     |             |                   |         |     |       |
| (6)   | 993 361 303 10 | hub cap                                | 00-     | 4   | M 446          |     |             |                   |         |     |       |
|       | 9A1            | silver emblem coloured                 |         |     |                |     |             |                   |         |     |       |
| (6) U | 993 361 303 07 | hub cap polished                       | 00-     | 4   | M 094          |     |             |                   |         |     |       |
| (6)   | 996 361 303 09 | hub cap polished                       | 00-     | 4   | M 094          |     |             |                   |         |     |       |
| (6)   | 996 361 306 00 | hub cap                                | 02-     | 4   | C 4-S          |     |             |                   |         |     |       |
|       | 9A1            | silver                                 |         |     |                |     |             |                   |         |     |       |
| (6)   | 996 361 303 12 | hub cap                                | 04      | 4   | M 417          |     |             |                   |         |     |       |
| 7     | 996 362 030 00 | emergency wheel                        |         | 1   | M 338          |     |             |                   |         |     |       |
| (7)   | 996 362 050 00 | emergency wheel                        | -03     | 1   | M 339          |     |             |                   |         |     |       |
| (7)   | 996 362 050 01 | emergency wheel                        | 04-     | 1   | M 339          |     |             |                   |         |     |       |
| (7) A | 996 362 020 01 | emergency wheel                        | 03-     | 1   | C 4-S<br>M 450 |     |             |                   |         |     |       |
| (7)   | 996 362 020 03 | emergency wheel                        | 04-     | 1   | C 4-S<br>M 450 |     |             |                   |         |     |       |
| -     | 996 652 053 00 | compressor for emergency wheel         |         | 1   |                |     |             |                   |         |     |       |
| -     | 996 361 411 00 | belt for emergency wheel               | 03-     | 1   | C 4-S<br>M 450 |     |             |                   |         |     |       |

|       |      |    |    |              |              |        |       |            |         |     |         |
|-------|------|----|----|--------------|--------------|--------|-------|------------|---------|-----|---------|
| Model | Year | MG | SG | Illustration | Restrictions | Update | 11:28 | 25.11.2005 | PORSCHE | PET | PORSCHE |
| 996   | 05   | 6  | 02 | 602-00       |              | 194    |       |            |         |     |         |



| Pos | Part Number      | Name   | Remarks | Qty | Model          |
|-----|------------------|--|---------|-----|----------------|
|     |                  | disc brake front axle  |         |     |                |
|     |                  | brake disc only in pairs replace   |         |     |                |
| 1   | A 996 351 405 00 | brake disc   | /L      | 1   |                |
| (1) | 996 351 405 01   | brake disc   | /L      | 1   |                |
| (1) | 996 351 409 02   | brake disc   | /L 02-  | 1   | C 4-S          |
| (1) | > 996 351 031 02 | brake disc   | /L -04  | 1   | C 4-S<br>M 450 |
| (1) | > 996 351 031 03 | brake disc   | /L 05-  | 1   | C 4-S<br>M 450 |
| (1) | A 996 351 406 00 | brake disc   | /R      | 1   |                |
| (1) | 996 351 406 01   | brake disc   | /R      | 1   |                |
| (1) | 996 351 410 02   | brake disc   | /R 02-  | 1   | C 4-S          |
| (1) | > 996 351 032 02 | brake disc   | /R -04  | 1   | C 4-S<br>M 450 |
| (1) | > 996 351 032 03 | brake disc   | /R 05-  | 1   | C 4-S<br>M 450 |
| 2   | 900 269 047 09   | countersunk-head screw M 6 X 12  |         | 4   |                |
| (2) | 900 269 106 09   | countersunk-head screw M 6 X 16  | 01-     | 4   | XRP            |
| 3   | 996 351 081 03   | protective plate<br>F >>99XS6 01169<br>F >>99XS6 01376<br>F >>99XS6 40765<br>F >>99XS6 40773 | /L      | 2   |                |
| (3) | 996 351 082 03   | protective plate<br>F >>99XS6 01169<br>F >>99XS6 01376<br>F >>99XS6 40765<br>F >>99XS6 40773 | /R      | 2   |                |
| (3) | 996 351 801 04   | protective plate<br>F 99XS6 01170>><br>F 99XS6 01377>><br>F 99XS6 40766>><br>F 99XS6 40774>> | /L      | 1   |                |

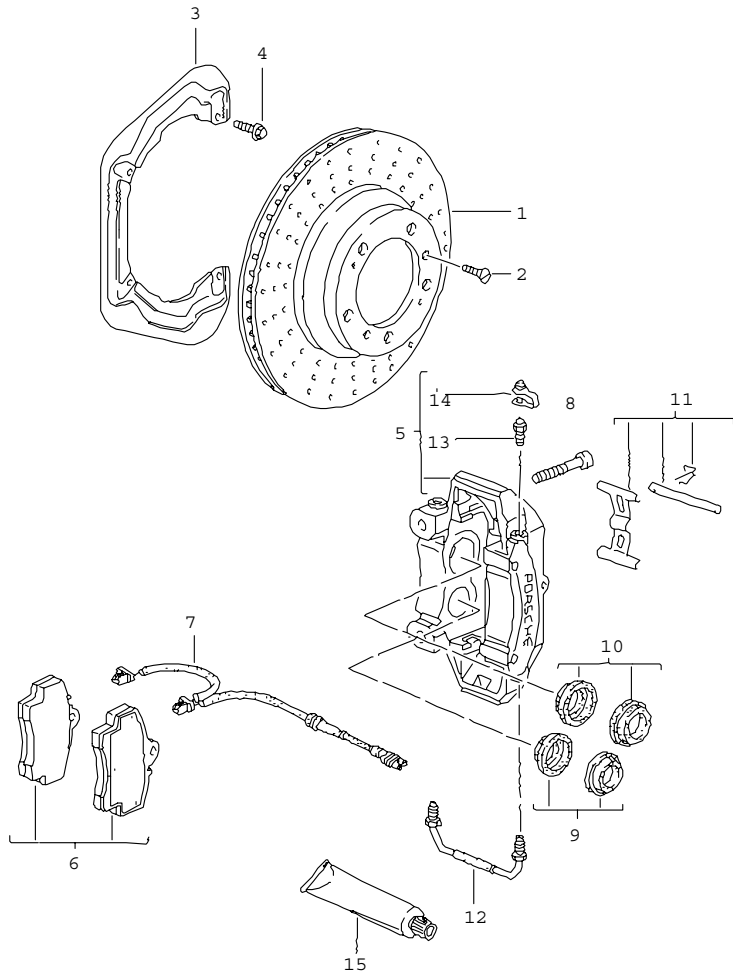
|       |      |    |    |              |              |        |       |            |         |     |         |
|-------|------|----|----|--------------|--------------|--------|-------|------------|---------|-----|---------|
| Model | Year | MG | SG | Illustration | Restrictions | Update | 11:28 | 25.11.2005 | PORSCHE | PET | PORSCHE |
| 996   | 05   | 6  | 02 | 602-00       |              | 194    |       |            |         |     |         |

| Pos | Part Number      | Name   | Remarks | Qty | Model          | Pos  | Part Number    | Name   | Remarks | Qty | Model          |
|-----|------------------|--|---------|-----|----------------|------|----------------|--|---------|-----|----------------|
| (3) | 996 351 802 04   | protective plate<br>F 99XS6 01170>><br>F 99XS6 01377>><br>F 99XS6 40766>><br>F 99XS6 40774>> | /R      | 1   |                | (6)  | 996 352 949 03 | set of brake pads                                | 05-     | 1   |                |
| (3) | 996 351 805 00   | protective plate   | /L 02-  | 1   | C 4-S          | (6)  | 996 351 949 12 | set of brake pads                                | 02-     | 1   | C 4-S          |
| (3) | 996 351 805 00   | protective plate   | /L 03-  | 1   | C 4-S<br>M 450 | (6)  | 996 351 947 01 | set of brake pads<br>use also:<br>mounting parts | 03-     | 1   | C 4-S<br>M 450 |
| (3) | 996 351 806 00   | protective plate   | /R 02-  | 1   | C 4-S          | -    | 996 351 088 01 | damping plate                                    |         | 4   |                |
| (3) | 996 351 806 00   | protective plate   | /R 03-  | 1   | C 4-S<br>M 450 | -    | 996 351 089 00 | damping plate                                    | 02-     | 4   | C 4-S          |
| 4   | 999 217 116 09   | hexagon-head bolt<br>M 6 X 16  |         | X   |                | -    | 996 352 086 01 | damping plate                                    | 03-     | 6   | C 4-S<br>M 450 |
| 5   | 996 351 425 01   | fixed calliper<br>without pad  | /L      | 1   |                | 7    | 996 612 365 00 | warning contact                                  |         | 2   |                |
| (5) | 996 351 426 01   | fixed calliper<br>without pad  | /R      | 1   |                | (7)  | 996 612 347 00 | warning contact                                  | 03-     | 2   | C 4-S<br>M 450 |
| (5) | 996 351 425 21   | fixed calliper<br>without pad<br>F >>99YS6 02736<br>F >>99YS6 21335                          | /L 99-  | 1   | M 339          | -    | 999 507 464 40 | clip   |         | 2   |                |
| (5) | 996 351 425 22   | fixed calliper<br>without pad<br>F 99YS6 02737>><br>F 99YS6 21336>>                          | /L 00-  | 1   | M 339          | -    | 944 612 627 00 | cable holder<br>for<br>warning contact           |         | 2   |                |
| (5) | 996 351 429 10   | fixed calliper<br>without pad  | /L 02-  | 1   | C 4-S          | 8    | 999 067 041 09 | pan-head screw<br>M 12 X 1,5 X 72                |         | 4   |                |
| (5) | 996 351 431 30   | fixed calliper<br>without pad  | /L 03-  | 1   | C 4-S<br>M 450 | 8    | 999 067 050 09 | pan-head screw<br>M 12 X 1,5 X 77                | 02-     | 4   | C 4-S          |
| (5) | 996 351 426 21   | fixed calliper<br>without pad<br>F >>99YS6 02736<br>F >>99YS6 21335                          | /R 99-  | 1   | M 339          | (8)  | 999 067 047 09 | pan-head screw<br>M 12 X 1,5 X 85                | 03-     | 4   | C 4-S<br>M 450 |
| (5) | 996 351 426 22   | fixed calliper<br>without pad<br>F 99YS6 02737>><br>F 99YS6 21336>>                          | /R 00-  | 1   | M 339          | 10   | 996 351 961 00 | connecting line                                  | /L      | 1   |                |
| (5) | 996 351 430 10   | fixed calliper<br>without pad  | /R 02-  | 1   | C 4-S          | (10) | 996 351 961 11 | connecting line                                  | /L 02-  | 1   | C 4-S          |
| (5) | 996 351 432 30   | fixed calliper<br>without pad  | /R 03-  | 1   | C 4-S<br>M 450 | (10) | 996 351 961 30 | connecting line                                  | /L 03-  | 1   | C 4-S<br>M 450 |
| 6   | A 996 352 949 02 | set of brake pads  | -04     | 1   |                | (10) | 996 351 962 00 | connecting line                                  | /R      | 1   |                |
|     |                  |  |         |     |                | (10) | 996 351 962 11 | connecting line                                  | /R 02-  | 1   | C 4-S          |
|     |                  |  |         |     |                | (10) | 996 351 962 30 | connecting line                                  | /R 03-  | 1   | C 4-S<br>M 450 |
|     |                  |  |         |     |                | 11   | 930 351 919 00 | ventilation valve                                |         | 2   |                |
|     |                  |  |         |     |                | 12   | 930 351 927 00 | cap  |         | 2   |                |
|     |                  |  |         |     |                | 13   | 951 351 917 01 | repair kit<br>protection caps<br>40 MM \$        |         | 2   |                |

|       |      |    |    |              |              |        |       |            |         |     |         |
|-------|------|----|----|--------------|--------------|--------|-------|------------|---------|-----|---------|
| Model | Year | MG | SG | Illustration | Restrictions | Update | 11:28 | 25.11.2005 | PORSCHE | PET | PORSCHE |
| 996   | 05   | 6  | 02 | 602-00       |              | 194    |       |            |         |     |         |

| Pos  | Part Number    | Name  | Remarks | Qty              | Model          | Pos | Part Number | Name | Remarks | Qty | Model |
|------|----------------|---|---------|------------------|----------------|-----|-------------|------|---------|-----|-------|
| (13) | 928 351 917 00 | repair kit<br>protection caps<br>44 MM \$                                 | 02-     | 2                | C 4-S          |     |             |      |         |     |       |
| 14   | 951 351 917 00 | repair kit<br>protection caps<br>36 MM \$                                 |         | 2                |                |     |             |      |         |     |       |
| -    | 996 351 915 01 | repair kit<br>protection caps<br>38 MM \$                                 | 03-     | 2                | C 4-S<br>M 450 |     |             |      |         |     |       |
| -    | 996 351 915 00 | repair kit<br>protection caps<br>32 MM \$                                 | 03-     | 2                | C 4-S<br>M 450 |     |             |      |         |     |       |
| -    | 951 352 917 00 | repair kit<br>protection caps<br>28 MM \$                                 | 03-     | 2                | C 4-S<br>M 450 |     |             |      |         |     |       |
| 15   | 996 351 959 01 | repair kit<br>mounting parts<br>bolt<br>expanding spring<br>securing clip |         | 1<br>2<br>2<br>2 |                |     |             |      |         |     |       |
| (15) | 996 351 959 11 | repair kit<br>mounting parts<br>bolt<br>expanding spring<br>securing clip | 02-     | 1                | C 4-S          |     |             |      |         |     |       |
| (15) | 996 351 959 30 | repair kit<br>mounting parts  | 03-     | 1                | C 4-S<br>M 450 |     |             |      |         |     |       |
| 16   | 000 043 117 00 | brake cylinder paste<br>50 G  |         | X                |                |     |             |      |         |     |       |
| 16   | 000 043 020 00 | OPTIMOLY<br>100 G   |         | X                |                |     |             |      |         |     |       |
|      |                | - - - E N D - - -   |         |                  |                |     |             |      |         |     |       |

|       |      |    |    |              |              |        |       |            |         |     |         |
|-------|------|----|----|--------------|--------------|--------|-------|------------|---------|-----|---------|
| Model | Year | MG | SG | Illustration | Restrictions | Update | 11:28 | 25.11.2005 | PORSCHE | PET | PORSCHE |
| 996   | 05   | 6  | 03 | 603-00       |              | 194    |       |            |         |     |         |



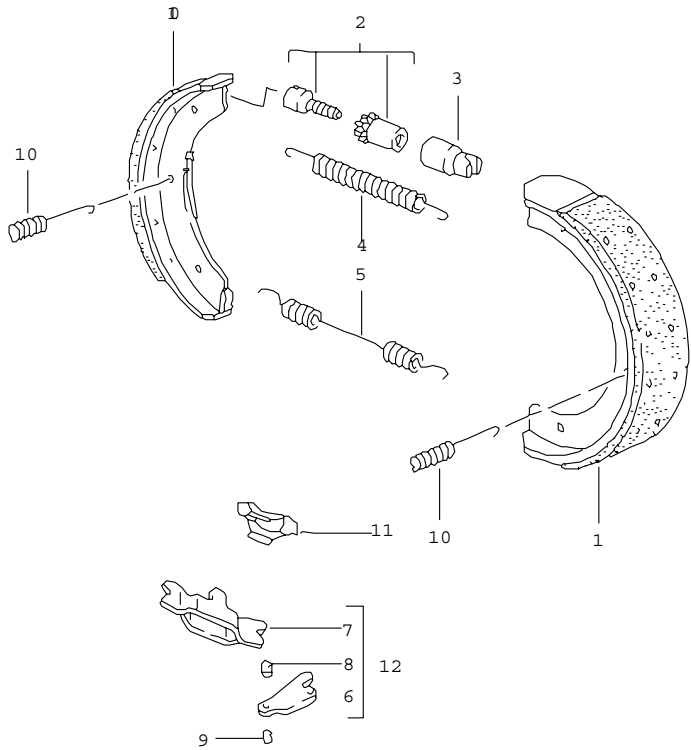
| Pos | Part Number      | Name   | Remarks | Qty | Model          |
|-----|------------------|--|---------|-----|----------------|
|     |                  | disc brake rear axle   |         |     |                |
|     |                  | brake disc only in pairs replace                                 |         |     |                |
| 1   | A 996 352 401 03 | brake disc   |         | 2   |                |
| (1) | 996 352 401 04   | brake disc   |         | 2   |                |
| (1) | A 996 352 401 05 | brake disc   |         | 2   |                |
| (1) | 996 352 405 00   | brake disc   | /L 02-  | 1   | C 4-S          |
| (1) | > 996 352 031 02 | brake disc   | /L -04  | 1   | C 4-S<br>M 450 |
| (1) | 996 352 031 03   | brake disc   | /L 05-  | 1   | C 4-S<br>M 450 |
| (1) | 996 352 406 00   | brake disc   | /R 02-  | 1   | C 4-S          |
| (1) | > 996 352 032 02 | brake disc   | /R -04  | 1   | C 4-S<br>M 450 |
| (1) | 996 352 032 03   | brake disc   | /R 05-  | 1   | C 4-S<br>M 450 |
| 2   | 900 269 047 09   | countersunk-head screw M 6 X 12                                  |         | 4   |                |
| (2) | 900 269 106 09   | countersunk-head screw M 6 X 16                                  | 01-     | 4   | XRP            |
| 3   | 996 352 801 01   | protective plate   |         | 2   |                |
| (3) | 996 352 801 03   | protective plate   | 02-     | 2   | C 4-S          |
| (3) | 996 352 801 03   | protective plate   | 03-     | 2   | C 4-S<br>M 450 |
| 4   | 999 217 116 09   | hexagon-head bolt M 6 X 16                                       |         | X   |                |
| 5   | 996 352 421 03   | fixed calliper without pad                                       | /L      | 1   | M 338          |
| (5) | 996 352 421 23   | fixed calliper without pad<br>F >>99YS6 02736<br>F >>99YS6 21335 | /L 99-  | 1   | M 339          |
| (5) | 996 352 421 24   | fixed calliper without pad<br>F 99YS6 02737>><br>F 99YS6 21336>> | /L 00-  | 1   | M 339          |

|       |      |    |    |              |              |        |       |            |         |     |         |
|-------|------|----|----|--------------|--------------|--------|-------|------------|---------|-----|---------|
| Model | Year | MG | SG | Illustration | Restrictions | Update | 11:28 | 25.11.2005 | PORSCHE | PET | PORSCHE |
| 996   | 05   | 6  | 03 | 603-00       |              | 194    |       |            |         |     |         |

| Pos   | Part Number    | Name   | Remarks | Qty | Model          | Pos  | Part Number    | Name  | Remarks | Qty | Model          |
|-------|----------------|--|---------|-----|----------------|------|----------------|---|---------|-----|----------------|
| (5)   | 996 352 425 60 | fixed calliper without pad                                       | /L 02-  | 1   | C 4-S          | -    | 944 612 627 00 | cable holder for warning contact                              |         | 2   |                |
| (5)   | 996 352 423 30 | fixed calliper without pad                                       | /L 03-  | 1   | C 4-S<br>M 450 | 9    | 951 352 917 01 | repair kit protection caps 30 MM \$                           |         | 2   |                |
| (5)   | 996 352 422 03 | fixed calliper without pad                                       | /R      | 1   | M 338          | 10   | 951 352 917 00 | repair kit protection caps 28 MM \$                           |         | 2   |                |
| (5)   | 996 352 422 23 | fixed calliper without pad                                       | /R 99-  | 1   | M 339          | 11   | 996 352 959 01 | repair kit mounting parts bolt expanding spring securing clip |         | 1   |                |
| (5)   | 996 352 422 24 | fixed calliper without pad<br>F >>99YS6 02736<br>F >>99YS6 21335 | /R 00-  | 1   | M 339          |      |                |   |         | 2   |                |
| (5)   | 996 352 426 60 | fixed calliper without pad                                       | /R 02-  | 1   | C 4-S          | (11) | 996 351 959 01 | repair kit mounting parts bolt expanding spring securing clip | 02-     | 1   | C 4-S          |
| (5)   | 996 352 424 30 | fixed calliper without pad                                       | /R 03-  | 1   | C 4-S<br>M 450 |      |                |   |         | 2   |                |
| 6     | 996 352 939 03 | set of brake pads  |         | 1   |                | (11) | 996 351 959 01 | repair kit mounting parts bolt expanding spring securing clip | 03-     | 1   | C 4-S<br>M 450 |
| (6) A | 996 352 949 02 | set of brake pads  | -04     | 1   | C 4-S          |      |                |   |         | 2   |                |
| (6)   | 996 352 949 03 | set of brake pads  | 05-     | 1   | C 4-S          |      |                |   |         | 2   |                |
| (6)   | 996 352 947 01 | set of brake pads  | 03-     | 1   | C 4-S<br>M 450 | 12   | 996 352 961 00 | connecting line   | /L      | 1   |                |
|       |                | use also:<br>mounting parts                                      |         |     |                | (12) | 996 351 962 00 | connecting line   | /L 02-  | 1   | C 4-S          |
| -     | 964 352 096 01 | damping plate 28 MM \$   |         | 4   |                | (12) | 996 352 961 30 | connecting line   | /L 03-  | 1   | C 4-S<br>M 450 |
| -     | 964 352 096 00 | damping plate 30 MM \$   |         | 4   |                | (12) | 996 352 962 00 | connecting line   | /R      | 1   |                |
| -     | 996 352 086 01 | damping plate 28 MM \$   | 03-     | 8   | C 4-S<br>M 450 | (12) | 996 351 961 00 | connecting line   | /R 02-  | 1   | C 4-S          |
| 7     | 996 612 365 00 | warning contact  |         | 2   |                | (12) | 996 352 961 30 | connecting line   | /R 03-  | 1   | C 4-S<br>M 450 |
| (7)   | 996 612 348 00 | warning contact  | 03-     | 2   | C 4-S<br>M 450 | 13   | 930 351 919 01 | ventilation valve   |         | 4   |                |
| 8     | 999 067 041 09 | pan-head screw M 12 X 1,5 X 72                                   |         | 4   |                | 14   | 930 351 927 00 | cap   |         | 4   |                |
| (8)   | 999 067 050 09 | pan-head screw M 12 X 1,5 X 77                                   | 02-     | 4   | C 4-S          | 15   | 000 043 117 00 | brake cylinder paste 50 G                                     |         | X   |                |
| (8)   | 999 067 047 09 | pan-head screw M 12 X 1,5 X 85                                   | 03-     | 4   | C 4-S<br>M 450 | (15) | 000 043 020 00 | OPTIMOLY 100 G  |         | X   |                |
|       |                |  |         |     |                |      |                | - - - E N D - - -   |         |     |                |

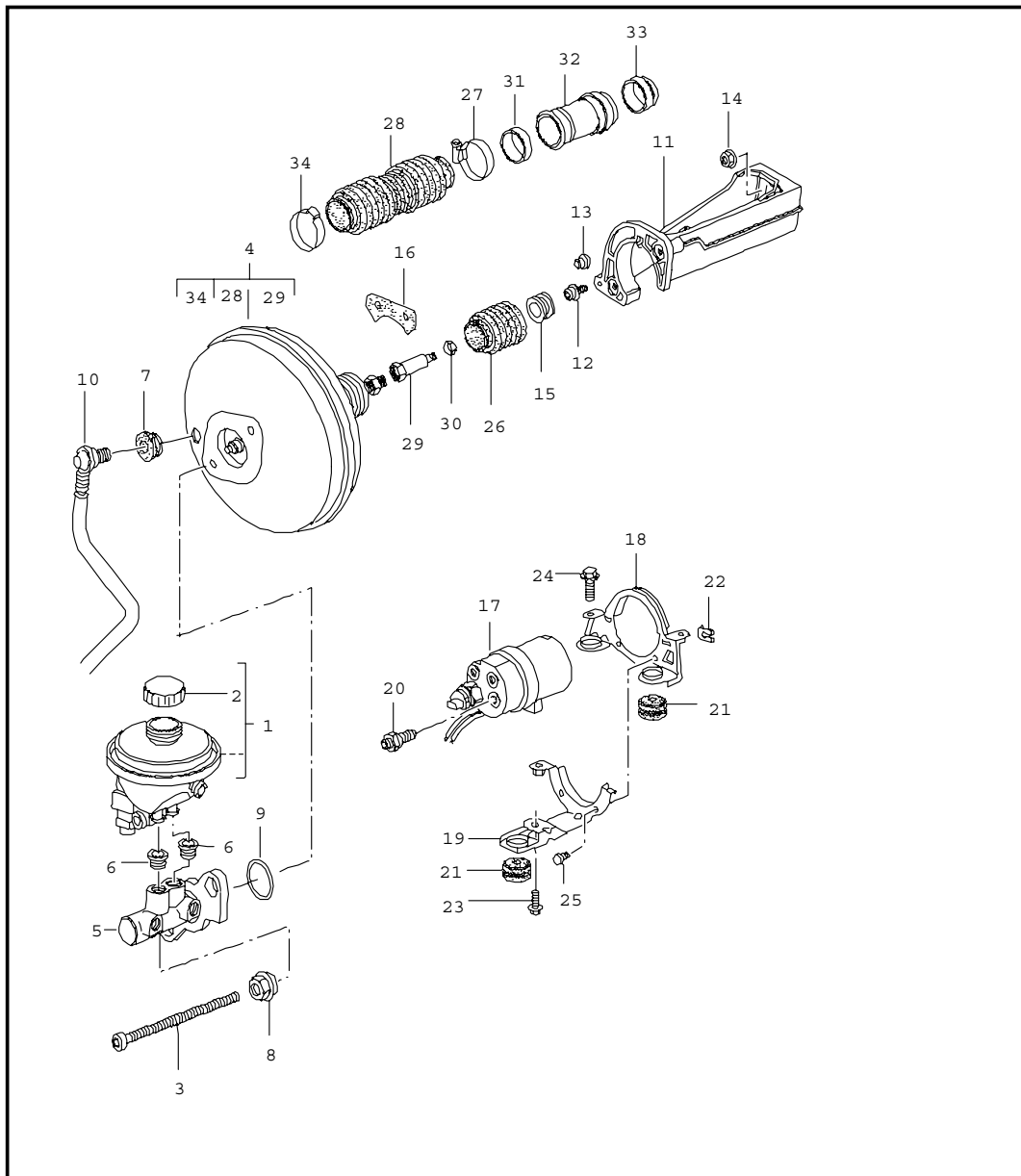


|       |      |    |    |              |              |        |       |            |         |     |         |
|-------|------|----|----|--------------|--------------|--------|-------|------------|---------|-----|---------|
| Model | Year | MG | SG | Illustration | Restrictions | Update | 11:29 | 25.11.2005 | PORSCHE | PET | PORSCHE |
| 996   | 05   | 6  | 03 | 603-05       |              | 194    |       |            |         |     |         |



| Pos               | Part Number    | Name                         | Remarks | Qty | Model |
|-------------------|----------------|------------------------------|---------|-----|-------|
|                   |                | handbrake                    |         |     |       |
| 1                 | 928 352 097 10 | brake shoe                   | -02     | 4   |       |
| (1)               | 996 352 993 02 | brake shoe<br>1 set          | 03-     | 1   |       |
| 2                 | 911 352 098 00 | adjusting screw              |         | 2   |       |
| 3                 | 911 352 944 00 | bush                         |         | 2   |       |
| 4                 | 997 352 721 00 | tension spring<br>short      |         | 2   |       |
| 5                 | 996 352 723 00 | tension spring<br>long       |         | 2   |       |
| 6                 | 928 352 441 01 | actuating lever              |         | 2   |       |
| 7                 | 928 352 443 01 | clip                         |         | 2   |       |
| 8                 | 993 352 735 00 | bolt                         |         | 2   |       |
| 9                 | 993 352 737 00 | bolt                         |         | 2   |       |
| 10                | 996 352 741 00 | compression spring           |         | 4   |       |
| 11                | 996 352 807 00 | supporting plate             |         | 2   |       |
| 12                | 993 352 073 00 | push-button lock<br>complete |         | 2   |       |
| - - - E N D - - - |                |                              |         |     |       |

|       |      |    |    |              |              |        |       |            |         |     |         |
|-------|------|----|----|--------------|--------------|--------|-------|------------|---------|-----|---------|
| Model | Year | MG | SG | Illustration | Restrictions | Update | 11:29 | 25.11.2005 | PORSCHE | PET | PORSCHE |
| 996   | 05   | 6  | 04 | 604-00       |              | 194    |       |            |         |     |         |



| Pos   | Part Number    | Name  | Remarks | Qty | Model     |
|-------|----------------|---|---------|-----|-----------|
| -     | 000 043 204 66 | brake master cylinder<br>brake booster<br>pre-charge pump<br>modification kit<br>seal<br>brake booster<br>comprising:<br>999.512.672.00<br>996.423.269.05<br>999.512.478.00<br>996.355.911.00<br>996.355.909.00<br>996.355.907.00<br>996.355.927.01<br>900.380.015.09<br>F >>99YS6 00595<br>F >>99YS6 40393<br>see technical information<br>group 4<br>NR.11/01 |         | 1   |           |
| 1     | 996 355 013 00 | brake fluid reservoir   | -03     | 1   | M 480/338 |
| (1)   | 996 355 013 01 | brake fluid reservoir   | 04-     | 1   | M 480/338 |
| (1)   | 996 355 013 20 | brake fluid reservoir   | -03     | 1   | M 249/338 |
| (1)   | 996 355 013 21 | brake fluid reservoir   | 04-     | 1   | M 249/338 |
| (1) A | 996 355 013 46 | brake fluid reservoir   | 99      | 1   | M 480/339 |
| (1)   | 996 355 013 47 | brake fluid reservoir   | 99      | 1   | M 249/339 |
| (1) A | 996 355 013 44 | brake fluid reservoir   | 00      | 1   | M 480/476 |
| (1) A | 996 355 013 46 | brake fluid reservoir   | -03     | 1   | M 480/476 |
| (1)   | 996 355 013 48 | brake fluid reservoir   | 04-     | 1   | M 480/338 |
| (1) A | 996 355 013 45 | brake fluid reservoir   | 00      | 1   | M 249/476 |
| (1)   | 996 355 013 47 | brake fluid reservoir   | -03     | 1   | M 249/476 |
| (1)   | 996 355 013 49 | brake fluid reservoir   | 04-     | 1   | M 249/476 |
| 2     | 996 355 119 01 | screw cap   | -03     | 1   |           |
| - A   | 996 355 125 00 | contacts<br>for<br>brake fluid reservoir<br>996.355.013.00<br>996.355.013.20  | -03     | 1   |           |

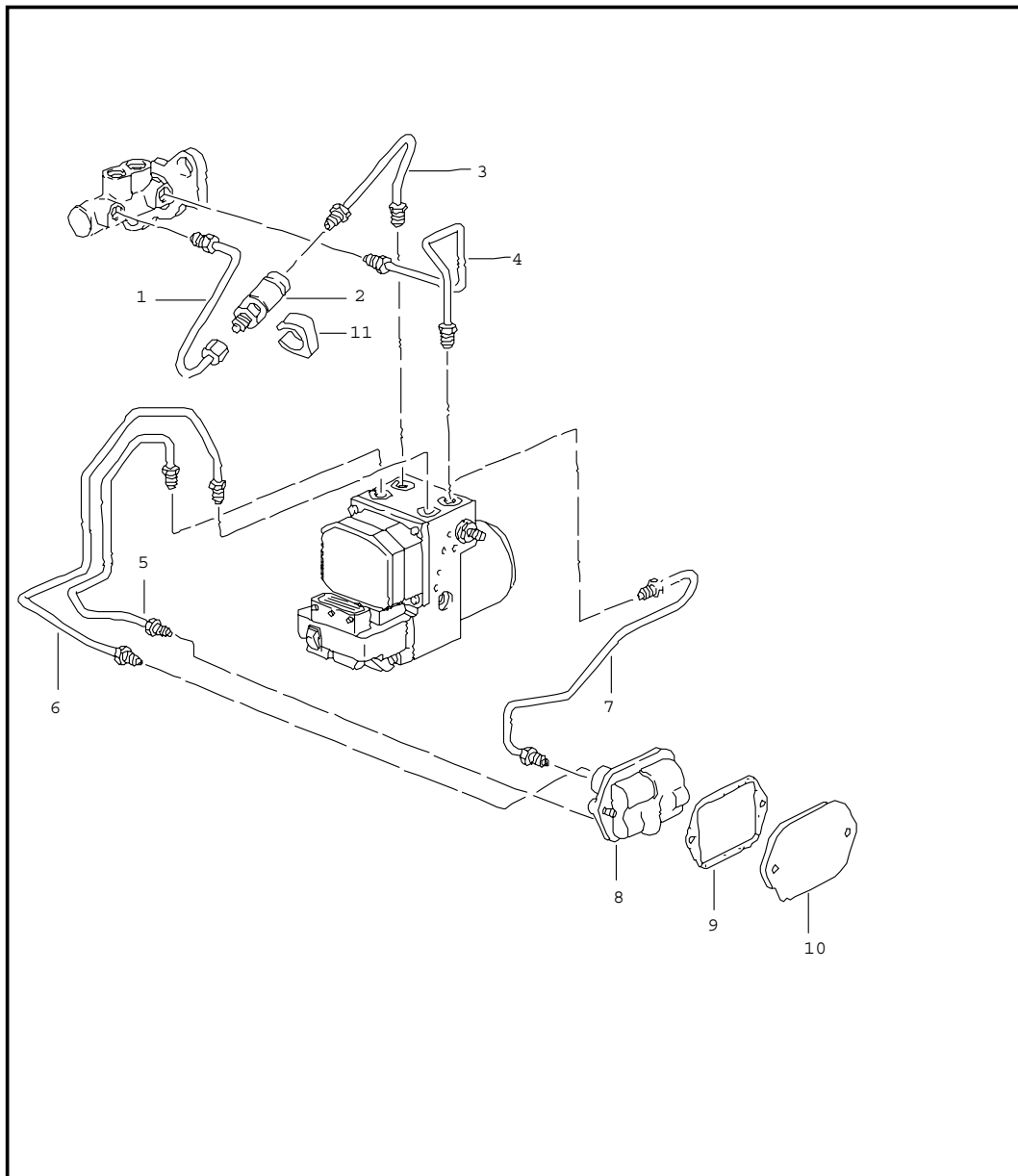
|       |      |    |    |              |              |        |       |            |         |     |         |
|-------|------|----|----|--------------|--------------|--------|-------|------------|---------|-----|---------|
| Model | Year | MG | SG | Illustration | Restrictions | Update | 11:29 | 25.11.2005 | PORSCHE | PET | PORSCHE |
| 996   | 05   | 6  | 04 | 604-00       |              | 194    |       |            |         |     |         |

| Pos  | Part Number    | Name   | Remarks    | Qty | Model     | Pos  | Part Number      | Name  | Remarks | Qty | Model     |
|------|----------------|--|------------|-----|-----------|------|------------------|---|---------|-----|-----------|
| -    | 996 355 125 02 | contacts<br>for<br>brake fluid reservoir<br>996.355.013.00/01<br>996.355.013.20/21   | 04-        | 1   |           | (10) | 996 355 577 43   | vacuum line   | /LL 04- | 1   | M 339/476 |
|      |                |  |            |     |           | (10) | 996 355 578 42   | vacuum line   | /RL -03 | 1   | M 339/476 |
|      |                |  |            |     |           | (10) | 996 355 578 43   | vacuum line   | /RL 04- | 1   | M 339/476 |
| -    | 996 355 125 01 | contacts<br>for<br>brake fluid reservoir<br>996.355.013.44<br>996.355.013.45<br>996.355.013.46<br>996.355.013.47<br>996.355.013.48<br>996.355.013.49 |            | 1   |           | 11   | 996 423 251 01   | intermediate piece  |         | 1   |           |
|      |                |  |            |     |           | 12   | 900 067 240 02   | screw<br>M 6 X 12 Z1  |         | 2   |           |
|      |                |  |            |     |           | 13   | 999 703 448 50   | plug  | /R      | 1   |           |
|      |                |  |            |     |           | 14   | 900 380 005 09   | hexagon nut<br>M 8  |         | 2   |           |
| 3    | 999 073 124 09 | pan-head screw<br>M 8 X 154 X 80   |            | 2   |           | 15   | U 996 355 221 00 | grommet<br>F >>99YS6 00595<br>F >>99YS6 40393<br>see technical information<br>group 4<br>NR.11/01 |         | 1   |           |
| 4    | 996 355 923 00 | brake booster  |            | 1   |           |      |                  |   |         |     |           |
| -    | 996 355 137 01 | cap<br>threaded joint<br>brake booster   |            | 1   |           | 16   | 996 423 301 00   | gasket  |         | 1   |           |
| 5    | 996 355 910 00 | brake master cylinder  |            | 1   | M 338     | -    | 996 355 901 01   | gasket<br>brake booster<br>bulkhead   |         | 1   |           |
| (5)  | 996 355 910 40 | brake master cylinder  | 99-<br>00- | 1   | M 339     |      |                  |   |         |     |           |
|      |                |  |            | 1   | M 338/476 |      |                  |   |         |     |           |
| (5)  | 996 355 910 50 | brake master cylinder  | 02-        | 1   | C 4-S     | 17   | 996 355 975 40   | pre-charge pump   | 99      | 1   | M 339     |
| 6    | 993 355 922 00 | gasket   |            | 2   |           | (17) | 996 355 975 41   | pre-charge pump   | 00-     | 1   | M 476     |
| 7    | 999 702 182 40 | gasket   |            | 1   |           | -    | 999 512 390 00   | hose clamp<br>60-80/13  | 00      | 1   | M 476     |
| 8    | 997 355 925 00 | hexagon nut  |            | 2   |           | -    | 999 507 688 40   | cable clamp<br>wiring harness<br>pre-charge pump  |         | 1   |           |
| 9    | 996 355 912 00 | sealing ring   |            | 1   |           |      |                  |   |         |     |           |
| (10) | 996 355 577 02 | vacuum line  | /LL        | 1   | M 338     | 18   | 996 355 273 40   | support   | 99-     | 1   | M 339     |
| (10) | 996 355 578 04 | vacuum line  | /RL        | 1   | M 338     | (18) | 996 355 183 40   | support   | 00-     | 1   | M 338     |
| (10) | 996 355 577 40 | vacuum line  | /LL 99-    | 1   | M 339     | 19   | 996 355 170 40   | support   | 99-     | 1   | M 339     |
| (10) | 996 355 578 42 | vacuum line  | /RL 99-    | 1   | M 339     | 20   | 996 355 635 40   | adapter   | 99-     | 1   | M 339     |
| (10) | 996 355 577 42 | vacuum line  | /LL 00-    | 1   | M 338/476 | 21   | 964 356 635 00   | rubber mounting   | 99-     | 3   |           |
| (10) | 996 355 577 43 | vacuum line  | /LL 04-    | 1   | M 338/476 | -    | 999 045 004 40   | plastic nut   |         | 3   |           |
| (10) | 996 355 578 05 | vacuum line  | /RL 00-    | 1   | M 338/476 | 22   | 999 166 080 02   | lock  | 99-     | 3   | M 339     |
| (10) | 996 355 578 06 | vacuum line  | /RL 04-    | 1   | M 338/476 | 23   | 900 378 036 09   | hexagon-head bolt<br>M 6 X 12   | 99-     | 1   | M 339     |
| (10) | 996 355 577 42 | vacuum line  | /LL -03    | 1   | M 339/476 |      |                  |   |         |     |           |

|       |      |    |    |              |              |        |       |            |         |     |         |
|-------|------|----|----|--------------|--------------|--------|-------|------------|---------|-----|---------|
| Model | Year | MG | SG | Illustration | Restrictions | Update | 11:29 | 25.11.2005 | PORSCHE | PET | PORSCHE |
| 996   | 05   | 6  | 04 | 604-00       |              | 194    |       |            |         |     |         |

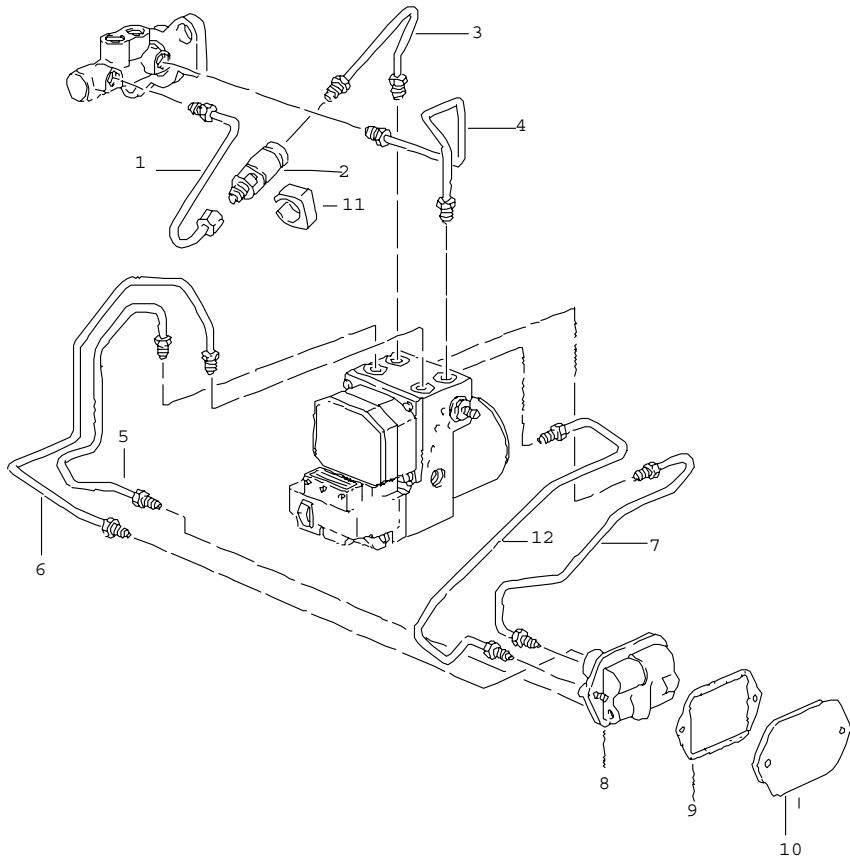
| Pos  | Part Number      | Name   | Remarks | Qty | Model | Pos  | Part Number    | Name   | Remarks | Qty | Model |
|------|------------------|--|---------|-----|-------|------|----------------|--|---------|-----|-------|
| 24   | 900 378 035 09   | hexagon-head bolt<br>M 6 X 16  | 99-     | 2   | M 339 | 33   | 996 355 907 00 | sealing rubber<br>firewall<br>F >>99YS6 00595<br>F >>99YS6 40393<br>see technical information<br>group 4<br>NR.11/01 |         | 1   |       |
| 25   | 996 355 559 00   | bolt   |         | 2   |       |      |                |  |         |     |       |
| 26   | U 996 355 930 00 | bellows<br>F >>99YS6 00595<br>F >>99YS6 40393<br>see technical information<br>group 4<br>NR.11/01          |         | 1   |       | (33) | 999 512 672 00 | clamp<br>F >>99YS6 00595<br>F >>99YS6 40393<br>see technical information<br>group 4<br>NR.11/01                      |         | 1   |       |
| 27   | 999 512 478 00   | hose clamp<br>F >>99YS6 00595<br>F >>99YS6 40393<br>see technical information<br>group 4<br>NR.11/01       |         | 1   |       | 34   | 999 512 672 00 | clamp<br>F 99YS6 00596>><br>F 99YS6 40394>>  |         | 1   |       |
| (27) | 999 512 478 00   | hose clamp<br>F 99YS6 00596>><br>F 99YS6 40394>>   |         | 1   |       |      |                | - - - E N D - - -  |         |     |       |
| 28   | U 996 423 269 04 | bellows<br>F >>99YS6 00595<br>F >>99YS6 40393<br>see technical information<br>group 4<br>NR.11/01          |         | 1   |       |      |                |  |         |     |       |
| (28) | 996 423 269 05   | bellows<br>F 99YS6 00596>><br>F 99YS6 40394>>  |         | 1   |       |      |                |  |         |     |       |
| 29   | 996 355 927 01   | connecting piece   |         | 1   |       |      |                |  |         |     |       |
| 30   | 900 380 015 09   | hexagon nut<br>M 6   |         | 1   |       |      |                |  |         |     |       |
| 31   | 996 355 911 00   | sealing ring<br>F >>99YS6 00595<br>F >>99YS6 40393<br>see technical information<br>group 4<br>NR.11/01     |         | 1   |       |      |                |  |         |     |       |
| 32   | 996 355 909 00   | connecting piece<br>F >>99YS6 00595<br>F >>99YS6 40393<br>see technical information<br>group 4<br>NR.11/01 |         | 1   |       |      |                |  |         |     |       |

|       |      |    |    |              |              |        |       |            |         |     |         |
|-------|------|----|----|--------------|--------------|--------|-------|------------|---------|-----|---------|
| Model | Year | MG | SG | Illustration | Restrictions | Update | 11:29 | 25.11.2005 | PORSCHE | PET | PORSCHE |
| 996   | 05   | 6  | 04 | 604-05       |              | 194    |       |            |         |     |         |



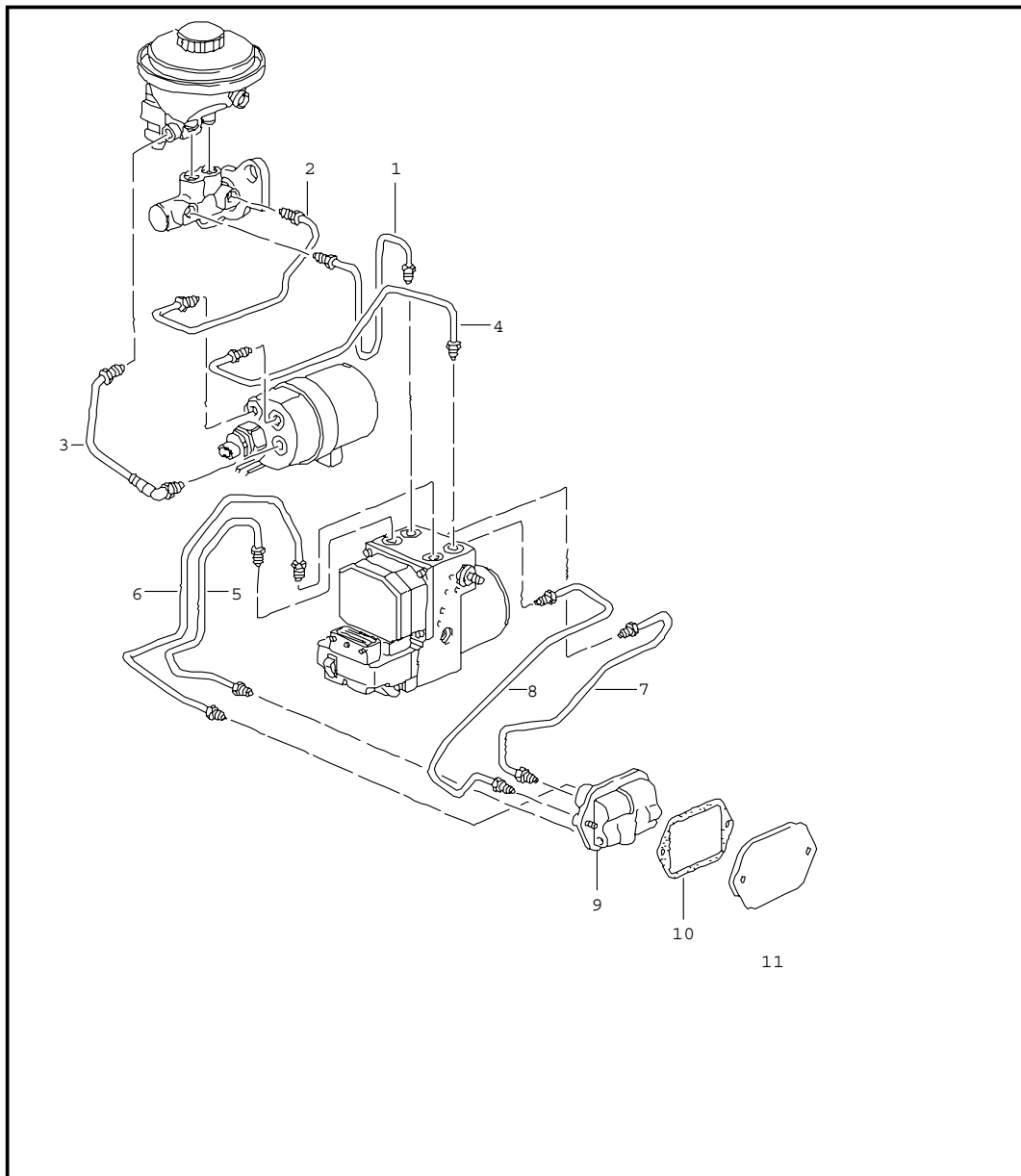
| Pos | Part Number    | Name                              | Remarks | Qty | Model |
|-----|----------------|-----------------------------------|---------|-----|-------|
|     |                | brake lines<br>body front section |         |     |       |
| 1   | 996 355 309 01 | pressure line                     | /LL -01 | 1   |       |
| (1) | 996 355 308 04 | pressure line                     | /RL -01 | 1   |       |
| 2   | 996 355 305 00 | regulator                         | -01     | 1   |       |
| 3   | 996 355 311 02 | pressure line                     | /LL -01 | 1   |       |
| (3) | 996 355 311 42 | pressure line                     | /LL 02- | 1   |       |
| (3) | 996 355 310 03 | pressure line                     | /RL -01 | 1   |       |
| (3) | 996 355 320 42 | pressure line                     | /RL 02- | 1   |       |
| 4   | 996 355 313 02 | pressure line                     | /LL -01 | 1   |       |
| (4) | 996 355 313 03 | pressure line                     | /LL 02- | 1   |       |
| (4) | 996 355 314 03 | pressure line                     | /RL -01 | 1   |       |
| (4) | 996 355 314 04 | pressure line                     | /RL 02- | 1   |       |
| 5   | 996 355 315 02 | pressure line                     | -01     | 1   |       |
| (5) | 996 355 315 43 | pressure line                     | 02-     | 1   |       |
| 6   | 996 355 327 03 | pressure line                     | -01     | 1   |       |
| (6) | 996 355 327 43 | pressure line                     | 02-     | 1   |       |
| 7   | 996 355 326 04 | pressure line                     | -01     | 1   |       |
| (7) | 996 355 326 40 | pressure line                     | 02-     | 1   |       |
| 8   | 996 355 650 02 | intermediate piece                |         | 1   |       |
| 9   | 996 355 752 01 | gasket                            | -01     | 1   |       |
| 9   | 996 355 752 01 | gasket                            | 02-     | 1   |       |
| 10  | 996 355 753 00 | reinforcement                     |         | 1   |       |
| 11  | 999 651 292 40 | support                           |         | 1   |       |
|     |                | - - - E N D - - -                 |         |     |       |

|       |      |    |    |              |              |        |       |            |         |     |         |
|-------|------|----|----|--------------|--------------|--------|-------|------------|---------|-----|---------|
| Model | Year | MG | SG | Illustration | Restrictions | Update | 11:29 | 25.11.2005 | PORSCHE | PET | PORSCHE |
| 996   | 05   | 6  | 04 | 604-08       |              | 194    |       |            |         |     |         |



| Pos | Part Number    | Name                              | Remarks | Qty | Model              |
|-----|----------------|-----------------------------------|---------|-----|--------------------|
|     |                | brake lines<br>body front section | -99     |     | M 222/224<br>M 338 |
| 1   | 996 355 309 01 | pressure line                     | /LL     | 1   |                    |
| (1) | 996 355 308 04 | pressure line                     | /RL     | 1   |                    |
| 2   | 996 355 305 00 | regulator                         |         | 1   |                    |
| 3   | 996 355 311 02 | pressure line                     | /LL     | 1   |                    |
| (3) | 996 355 310 03 | pressure line                     | /RL     | 1   |                    |
| 4   | 996 355 313 02 | pressure line                     | /LL     | 1   |                    |
| (4) | 996 355 314 03 | pressure line                     | /RL     | 1   |                    |
| 5   | 996 355 315 02 | pressure line                     |         | 1   |                    |
| 6   | 996 355 327 03 | pressure line                     |         | 1   |                    |
| 7   | 996 355 326 04 | pressure line                     |         | 1   |                    |
| 8   | 996 355 650 27 | intermediate piece                |         | 1   |                    |
| 9   | 996 355 752 00 | gasket                            | -01     | 1   |                    |
| 10  | 996 355 753 00 | reinforcement                     |         | 1   |                    |
| 11  | 999 651 292 40 | support                           |         | 1   |                    |
| 12  | 996 355 316 04 | pressure line                     |         | 1   |                    |
|     |                | - - - E N D - - -                 |         |     |                    |

|       |      |    |    |              |              |        |       |            |         |     |         |
|-------|------|----|----|--------------|--------------|--------|-------|------------|---------|-----|---------|
| Model | Year | MG | SG | Illustration | Restrictions | Update | 11:29 | 25.11.2005 | PORSCHE | PET | PORSCHE |
| 996   | 05   | 6  | 04 | 604-09       |              | 194    |       |            |         |     |         |



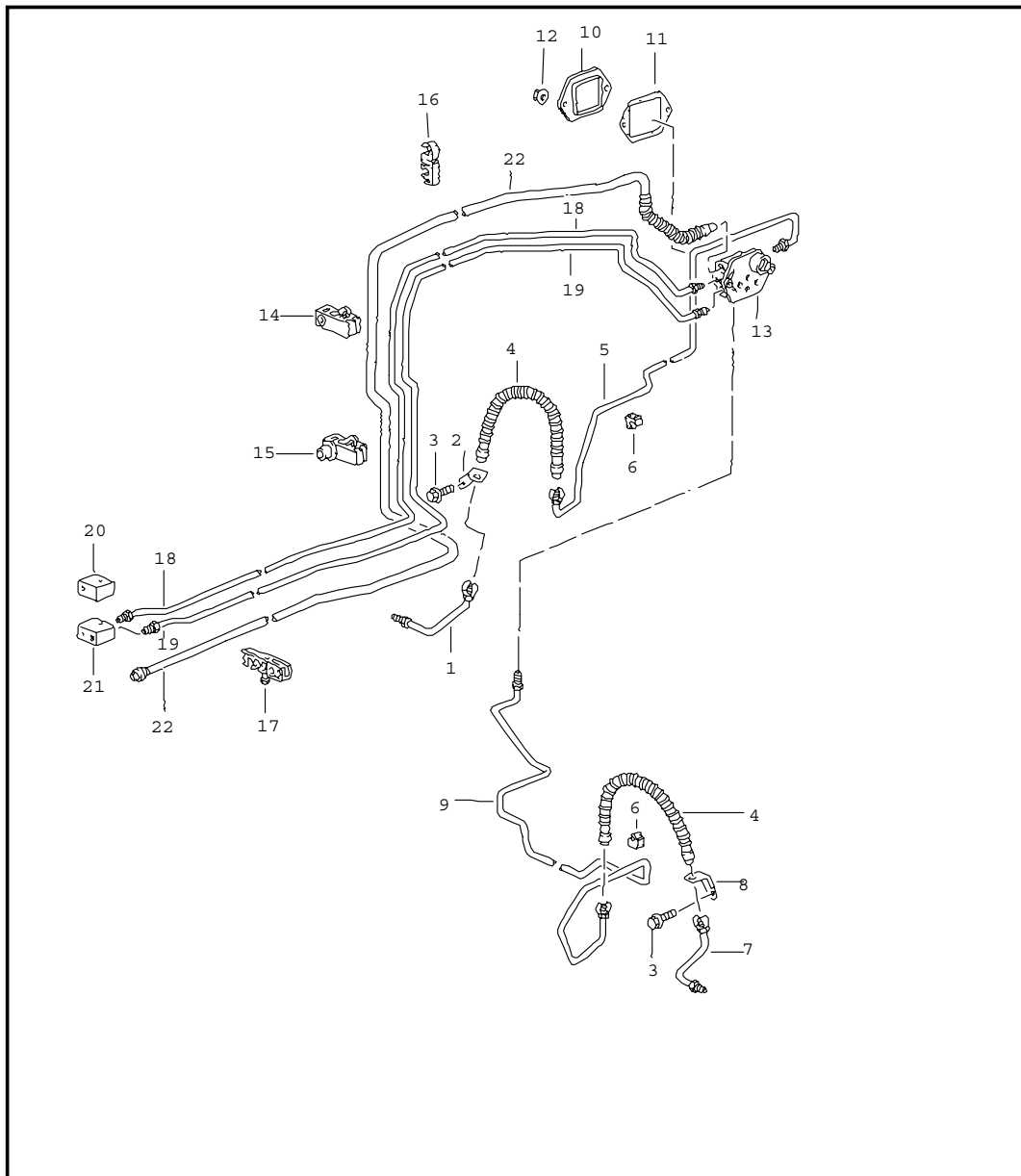
| Pos | Part Number    | Name                              | Remarks    | Qty | Model                               |
|-----|----------------|-----------------------------------|------------|-----|-------------------------------------|
|     |                | brake lines<br>body front section | 99-<br>00- |     | M 339/476<br>M 338/476<br>M 339/476 |
| 1   | 996 355 311 41 | pressure line                     | /LL 99     | 1   |                                     |
| (1) | 996 355 311 42 | pressure line                     | /LL 00-    | 1   |                                     |
| (1) | 996 355 310 41 | pressure line                     | /RL 99     | 1   |                                     |
| (1) | 996 355 312 41 | pressure line                     | /RL 00-    | 1   |                                     |
| 2   | 996 355 307 40 | pressure line                     |            | 1   |                                     |
| 3   | 996 355 323 41 | feed line                         |            | 1   |                                     |
| 4   | 996 355 331 41 | pressure line                     | /LL 99     | 1   |                                     |
| (4) | 996 355 333 41 | pressure line                     | /LL 00-    | 1   |                                     |
| (4) | 996 355 328 41 | pressure line                     | /RL 99     | 1   |                                     |
| (4) | 996 355 330 41 | pressure line                     | /RL 00-    | 1   |                                     |
| 5   | 996 355 315 40 | pressure line                     | 99         | 1   |                                     |
| (5) | 996 355 315 42 | pressure line                     | 00         | 1   |                                     |
| (5) | 996 355 315 43 | pressure line                     | 01-        | 1   |                                     |
| 6   | 996 355 327 40 | pressure line                     | 99         | 1   |                                     |
| (6) | 996 355 327 42 | pressure line                     | 00         | 1   |                                     |
| (6) | 996 355 327 43 | pressure line                     | 01-        | 1   |                                     |
| 7   | 996 355 316 04 | pressure line                     | -99        | 1   |                                     |
| (7) | 996 355 316 41 | pressure line                     | 00-        | 1   |                                     |
| 8   | 996 355 326 04 | pressure line                     | 99         | 1   |                                     |
| (8) | 996 355 326 40 | pressure line                     | 00-        | 1   |                                     |
| 9   | 996 355 650 27 | intermediate piece                |            | 1   |                                     |
| 10  | 996 355 752 00 | gasket                            | -01        | 1   |                                     |
| 10  | 996 355 752 01 | gasket                            | 02-        | 1   |                                     |
| 11  | 996 355 753 00 | reinforcement                     |            | 1   |                                     |
|     |                |                                   | 00-        |     | M 338/476                           |
| (1) | 996 355 311 42 | pressure line                     | /LL        | 1   |                                     |
| (1) | 996 355 320 42 | pressure line                     | /RL        | 1   |                                     |

|       |      |    |    |              |              |        |       |            |         |     |         |
|-------|------|----|----|--------------|--------------|--------|-------|------------|---------|-----|---------|
| Model | Year | MG | SG | Illustration | Restrictions | Update | 11:29 | 25.11.2005 | PORSCHE | PET | PORSCHE |
| 996   | 05   | 6  | 04 | 604-09       |              | 194    |       |            |         |     |         |

| Pos | Part Number    | Name              | Remarks | Qty | Model | Pos | Part Number | Name | Remarks | Qty | Model |
|-----|----------------|-------------------|---------|-----|-------|-----|-------------|------|---------|-----|-------|
| (2) | 996 355 353 42 | pressure line     | /LL     | 1   |       |     |             |      |         |     |       |
| (2) | 996 355 354 41 | pressure line     | /RL     | 1   |       |     |             |      |         |     |       |
| (3) | 996 355 321 41 | pressure line     | /LL     | 1   |       |     |             |      |         |     |       |
| (3) | 996 355 322 41 | pressure line     | /RL     | 1   |       |     |             |      |         |     |       |
| (4) | 996 355 357 42 | pressure line     | -02     | 1   |       |     |             |      |         |     |       |
| (4) | 996 355 357 43 | pressure line     | 03-     | 1   |       |     |             |      |         |     |       |
| (5) | 996 355 315 42 | pressure line     | 00      | 1   |       |     |             |      |         |     |       |
| (5) | 996 355 315 43 | pressure line     | 01-     | 1   |       |     |             |      |         |     |       |
| (6) | 996 355 327 42 | pressure line     | 00      | 1   |       |     |             |      |         |     |       |
| (6) | 996 355 327 43 | pressure line     | 01-     | 1   |       |     |             |      |         |     |       |
| (7) | 996 355 316 41 | pressure line     |         | 1   |       |     |             |      |         |     |       |
| (8) | 996 355 326 40 | pressure line     |         | 1   |       |     |             |      |         |     |       |
|     |                | - - - E N D - - - |         |     |       |     |             |      |         |     |       |



|       |      |    |    |              |              |        |       |            |         |     |         |
|-------|------|----|----|--------------|--------------|--------|-------|------------|---------|-----|---------|
| Model | Year | MG | SG | Illustration | Restrictions | Update | 11:29 | 25.11.2005 | PORSCHE | PET | PORSCHE |
| 996   | 05   | 6  | 04 | 604-10       |              | 194    |       |            |         |     |         |

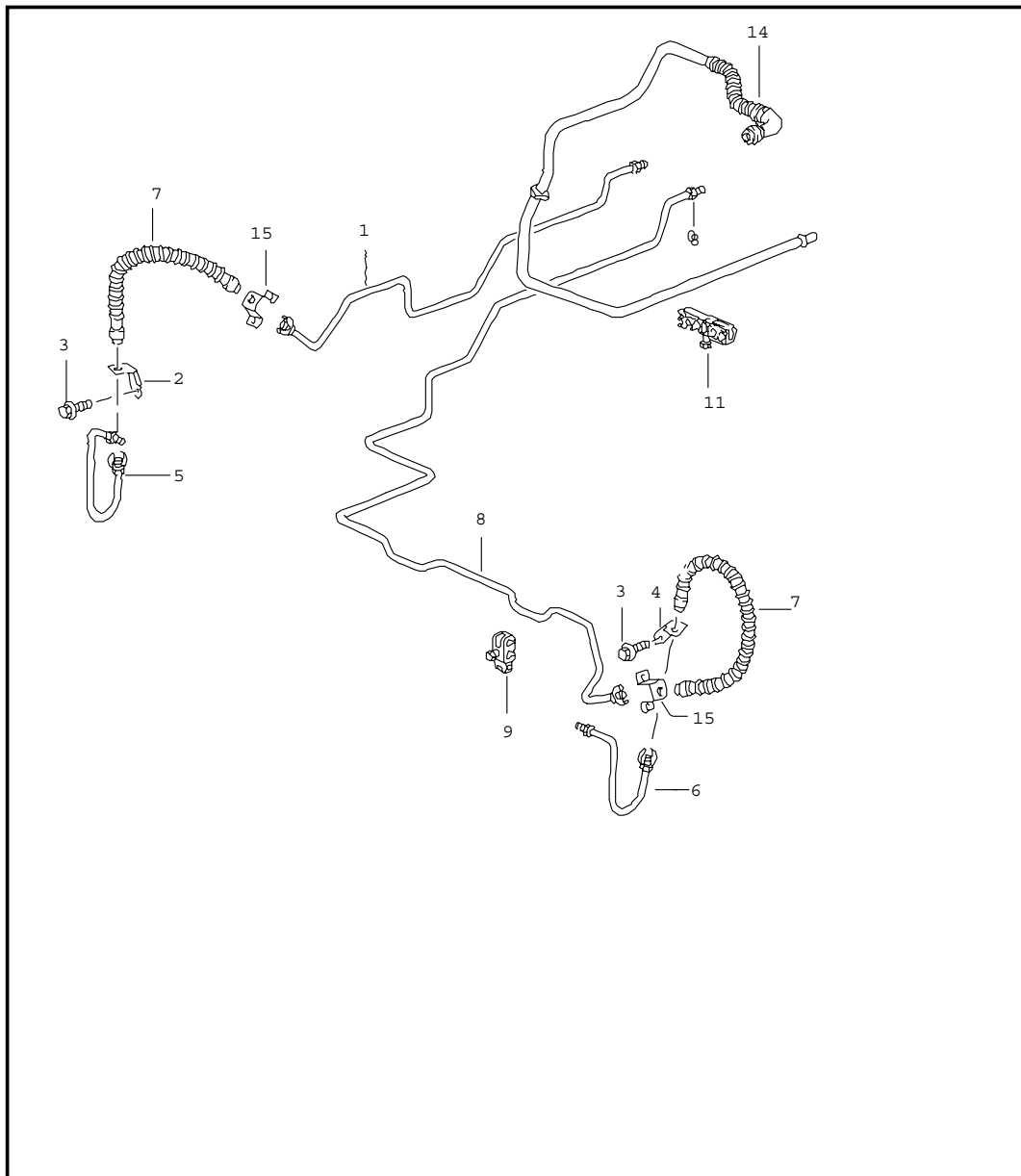


| Pos | Part Number    | Name  | Remarks | Qty | Model          |
|-----|----------------|---|---------|-----|----------------|
|     |                | brake lines<br>front axle<br>underbody<br>vacuum line |         |     |                |
| 1   | 996 355 581 06 | brake line  | /L      | 1   |                |
| (1) | 996 355 587 02 | brake line  | /L 99-  | 1   | M 339          |
| (1) | 996 355 587 03 | brake line  | /L 03-  | 1   | C 4-S<br>M 450 |
| 2   | 996 355 501 06 | support   | /L      | 1   |                |
| (2) | 996 355 507 04 | support   | /L 99-  | 1   | M 339          |
| (2) | 996 355 507 05 | support   | /L 02-  | 1   | C 4-S          |
| 3   | 900 067 117 09 | screw<br>M 6 X 16                                     |         | 2   |                |
| 4   | 996 355 139 01 | brake hose  |         | 2   |                |
| (5) | 996 355 175 07 | brake line<br>F >>99WS6 06999<br>F >>99WS6 40804      | /L      | 1   |                |
| (5) | 996 355 175 08 | brake line<br>F 99WS6 07000>><br>F 99WS6 40805>>      | /L      | 1   |                |
| (5) | 996 355 175 27 | brake line  | /L 99-  | 1   | M 339          |
| (5) | 996 355 175 28 | brake line  | /L 02-  | 1   | M 339          |
| 6   | 999 591 930 40 | cable holder  |         | X   |                |
| 7   | 996 355 584 06 | brake line  | /R      | 1   |                |
| (7) | 996 355 588 02 | brake line  | /R 99-  | 1   | M 339          |
| (7) | 996 355 588 03 | brake line  | /R 03-  | 1   | C 4-S<br>M 450 |
| 8   | 996 355 502 06 | support   | /R      | 1   |                |
| (8) | 996 355 508 04 | support   | /R 99-  | 1   | M 339          |
| (8) | 996 355 508 05 | support   | /R 02-  | 1   | C 4-S          |
| 9   | 996 355 176 06 | brake line<br>F >>99WS6 06999<br>F >>99WS6 40804      |         | 1   |                |
| (9) | 996 355 176 07 | brake line<br>F 99WS6 07000>><br>F 99WS6 40805>>      |         | 1   |                |

|       |      |    |    |              |              |        |       |            |         |     |         |
|-------|------|----|----|--------------|--------------|--------|-------|------------|---------|-----|---------|
| Model | Year | MG | SG | Illustration | Restrictions | Update | 11:29 | 25.11.2005 | PORSCHE | PET | PORSCHE |
| 996   | 05   | 6  | 04 | 604-10       |              | 194    |       |            |         |     |         |

| Pos  | Part Number      | Name                                    | Remarks | Qty | Model     | Pos | Part Number | Name | Remarks | Qty | Model |
|------|------------------|---|---------|-----|-----------|-----|-------------|------|---------|-----|-------|
| (9)  | 996 355 176 29   | brake line                              | 99-     | 1   | M 339     |     |             |      |         |     |       |
| 9    | 996 355 176 32   | brake line                              | 02-     | 1   | M 339     |     |             |      |         |     |       |
| 10   | 996 355 753 00   | reinforcement                           |         | 1   |           |     |             |      |         |     |       |
| 11   | 996 355 752 01   | gasket                                  | -01     | 1   |           |     |             |      |         |     |       |
| (11) | 996 355 752 01   | gasket                                  | 02-     | 1   |           |     |             |      |         |     |       |
| 12   | 900 380 015 09   | hexagon nut<br>M 6                      |         | 3   |           |     |             |      |         |     |       |
| 13   | 996 355 650 27   | intermediate piece                      | 99-     | 1   | M 222/224 |     |             |      |         |     |       |
|      |                  |   |         | 1   | M 339     |     |             |      |         |     |       |
| (13) | 996 355 650 02   | intermediate piece                      |         | 1   |           |     |             |      |         |     |       |
| 14   | 996 355 545 00   | support                                 |         | 3   |           |     |             |      |         |     |       |
| 15   | 996 355 549 00   | support                                 |         | 1   |           |     |             |      |         |     |       |
| 16   | 996 355 547 01   | support                                 |         | 2   |           |     |             |      |         |     |       |
| 17   | 996 355 543 00   | support                                 |         | 1   |           |     |             |      |         |     |       |
| 18   | 996 355 177 06   | brake line                              | -01     | 1   |           |     |             |      |         |     |       |
| (18) | 996 355 177 07   | brake line                              | 02      | 1   |           |     |             |      |         |     |       |
| 18   | 996 355 177 08   | brake line                              | 03-     | 1   |           |     |             |      |         |     |       |
| 19   | 996 355 179 06   | brake line                              | 99-     | 1   | M 222/224 |     |             |      |         |     |       |
|      |                  |   |         | 1   | M 339     |     |             |      |         |     |       |
| (19) | 996 355 179 07   | brake line                              | 02      | 1   |           |     |             |      |         |     |       |
| 19   | 996 355 179 08   | brake line                              | 03-     | 1   |           |     |             |      |         |     |       |
| 20   | A 996 355 660 04 | connecting piece                        |         | 1   |           |     |             |      |         |     |       |
| (20) | 996 355 660 06   | connecting piece                        |         | 1   |           |     |             |      |         |     |       |
| 21   | 996 355 760 29   | connecting piece                        | 99-     | 1   | M 222/224 |     |             |      |         |     |       |
|      |                  |   |         | 1   | M 339     |     |             |      |         |     |       |
| (21) | 996 355 760 31   | connecting piece                        | 03-     | 1   | M 339     |     |             |      |         |     |       |
| 22   | 996 355 571 05   | vacuum line                             | -01     | 1   |           |     |             |      |         |     |       |
| (22) | 996 355 571 07   | vacuum line                             | 02-     | 1   |           |     |             |      |         |     |       |
| -    | 999 230 535 40   | lock<br>connecting piece<br>vacuum line |         | 1   |           |     |             |      |         |     |       |
|      |                  | - - - E N D - - -                       |         |     |           |     |             |      |         |     |       |

|       |      |    |    |              |              |        |       |            |         |     |         |
|-------|------|----|----|--------------|--------------|--------|-------|------------|---------|-----|---------|
| Model | Year | MG | SG | Illustration | Restrictions | Update | 11:30 | 25.11.2005 | PORSCHE | PET | PORSCHE |
| 996   | 05   | 6  | 04 | 604-15       |              | 194    |       |            |         |     |         |

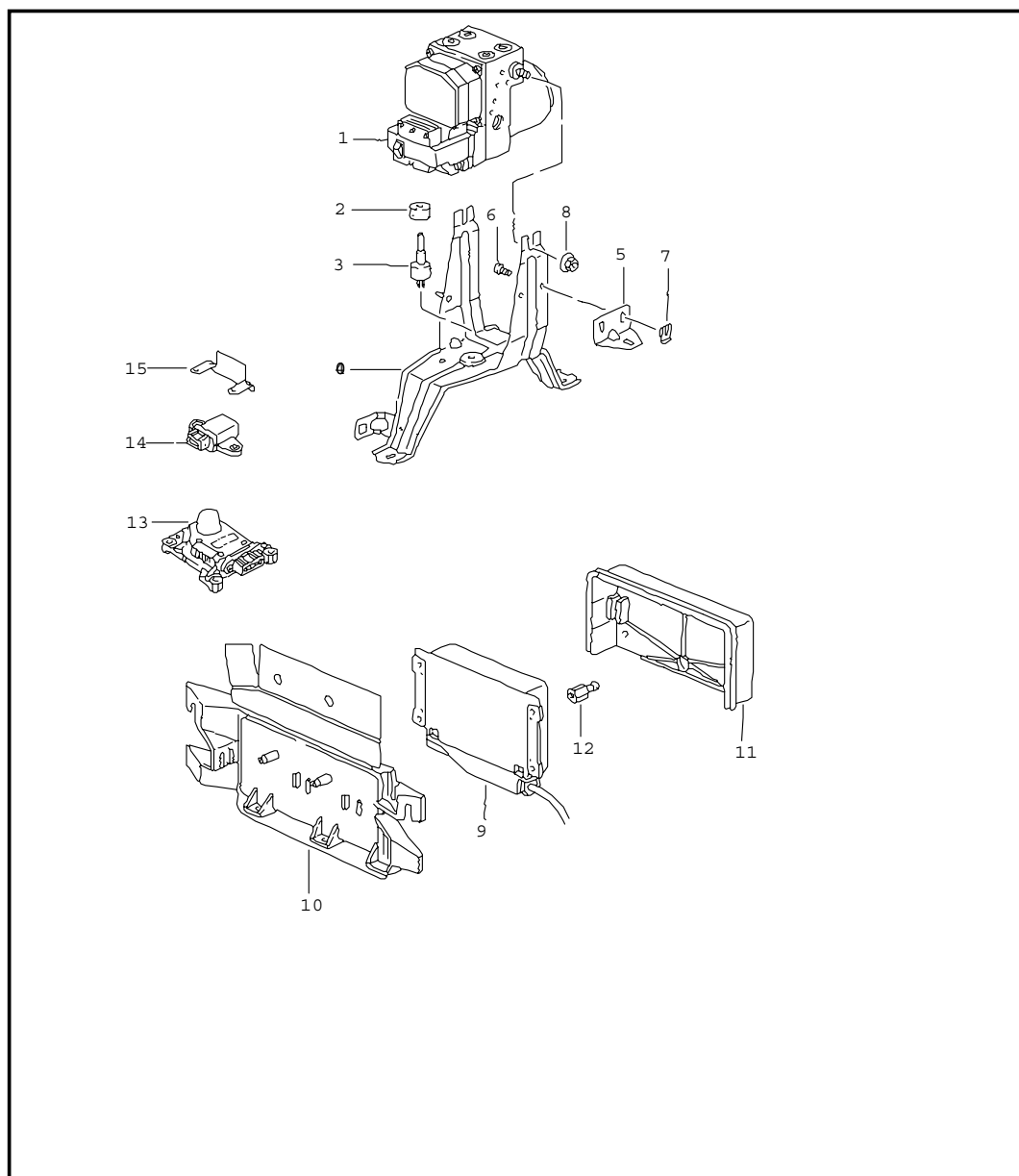


| Pos | Part Number    | Name  | Remarks | Qty | Model          |
|-----|----------------|---|---------|-----|----------------|
|     |                | brake line<br>underbody<br>rear axle<br>vacuum line                 |         |     |                |
| 1   | 996 355 189 05 | brake line  | /L 98   | 1   |                |
| (1) | 996 355 189 06 | brake line  | /L -02  | 1   |                |
| (1) | 996 355 189 07 | brake line<br>F >>994S6 30356<br>F >>994S6 03928<br>F >>994S6 42725 | /L 03-  | 1   |                |
| (1) | 997 355 189 00 | brake line<br>F 994S6 30357>><br>F 994S6 03929>><br>F 994S6 42726>> | /L      | 1   |                |
| 2   | 996 355 503 00 | support   | /L      | 1   |                |
| (2) | 996 355 503 10 | support   | /L 03-  | 1   | C 4-S<br>M 450 |
| 3   | 900 067 117 09 | screw<br>M 6 X 16   |         | 2   |                |
| 4   | 996 355 504 00 | support   | /R      | 1   |                |
| (4) | 996 355 504 10 | support   | /R 03-  | 1   | C 4-S<br>M 450 |
| 5   | 996 355 585 00 | brake line  | /L      | 1   |                |
| (5) | 996 355 585 10 | brake line  | /L 03-  | 1   | C 4-S<br>M 450 |
| 6   | 996 355 586 00 | brake line  | /R      | 1   |                |
| (6) | 996 355 586 10 | brake line  | /R 03-  | 1   | C 4-S<br>M 450 |
| 7   | 996 355 139 01 | brake hose  |         | 2   |                |
| 8   | 996 355 190 06 | brake line<br>F >>99XS6 06898<br>F >>99XS6 44623                    | /R      | 1   |                |
| (8) | 996 355 190 07 | brake line<br>F 99XS6 06899>><br>F 99XS6 44624>>                    | /R -01  | 1   |                |
| (8) | 996 355 190 52 | brake line  | /R 02   | 1   |                |
| (8) | 996 355 190 53 | brake line<br>F >>994S6 30356<br>F >>994S6 03928<br>F >>994S6 42725 | /R 03-  | 1   |                |

|       |      |    |    |              |              |        |       |            |         |     |         |
|-------|------|----|----|--------------|--------------|--------|-------|------------|---------|-----|---------|
| Model | Year | MG | SG | Illustration | Restrictions | Update | 11:30 | 25.11.2005 | PORSCHE | PET | PORSCHE |
| 996   | 05   | 6  | 04 | 604-15       |              | 194    |       |            |         |     |         |

| Pos  | Part Number      | Name   | Remarks | Qty | Model | Pos | Part Number | Name | Remarks | Qty | Model |
|------|------------------|--|---------|-----|-------|-----|-------------|------|---------|-----|-------|
| (8)  | 997 355 190 01   | brake line<br>F 994S6 30357>><br>F 994S6 03929>><br>F 994S6 42726>>  | /R      | 1   |       |     |             |      |         |     |       |
| 9    | 996 347 543 00   | support  |         | 3   |       |     |             |      |         |     |       |
| 11   | 996 355 543 00   | support  |         | 1   |       |     |             |      |         |     |       |
| 14   | A 996 355 575 03 | vacuum line<br>F >>99XS6 06898<br>F >>99XS6 44623                    |         | 1   |       |     |             |      |         |     |       |
| (14) | 996 355 575 04   | vacuum line<br>F 99XS6 06899>><br>F 99XS6 44624>>                    | -01     | 1   |       |     |             |      |         |     |       |
| (14) | A 996 355 575 05 | vacuum line  | 02-     | 1   |       |     |             |      |         |     |       |
| (14) | 996 355 575 06   | vacuum line<br>F >>994S6 30356<br>F >>994S6 03928<br>F >>994S6 42725 | 02-     | 1   |       |     |             |      |         |     |       |
| (14) | 996 355 575 07   | vacuum line<br>F 994S6 30357>><br>F 994S6 03929>><br>F 994S6 42726>> |         | 1   |       |     |             |      |         |     |       |
| -    | 999 507 495 40   | support  |         | 1   |       |     |             |      |         |     |       |
| 15   | 996 501 815 00   | support  |         | 2   |       |     |             |      |         |     |       |
|      | GRV              | prime coated<br>F >>99WS6 06999<br>F >>99WS6 40804                   |         |     |       |     |             |      |         |     |       |
| (15) | 996 501 815 02   | support  |         | 2   |       |     |             |      |         |     |       |
|      | GRV              | prime coated<br>F 99WS6 07000>><br>F 99WS6 40805>>                   |         |     |       |     |             |      |         |     |       |
|      |                  | - - - E N D - - -  |         |     |       |     |             |      |         |     |       |

|       |      |    |    |              |              |        |       |            |         |     |         |
|-------|------|----|----|--------------|--------------|--------|-------|------------|---------|-----|---------|
| Model | Year | MG | SG | Illustration | Restrictions | Update | 11:30 | 25.11.2005 | PORSCHE | PET | PORSCHE |
| 996   | 05   | 6  | 05 | 605-00       |              | 194    |       |            |         |     |         |

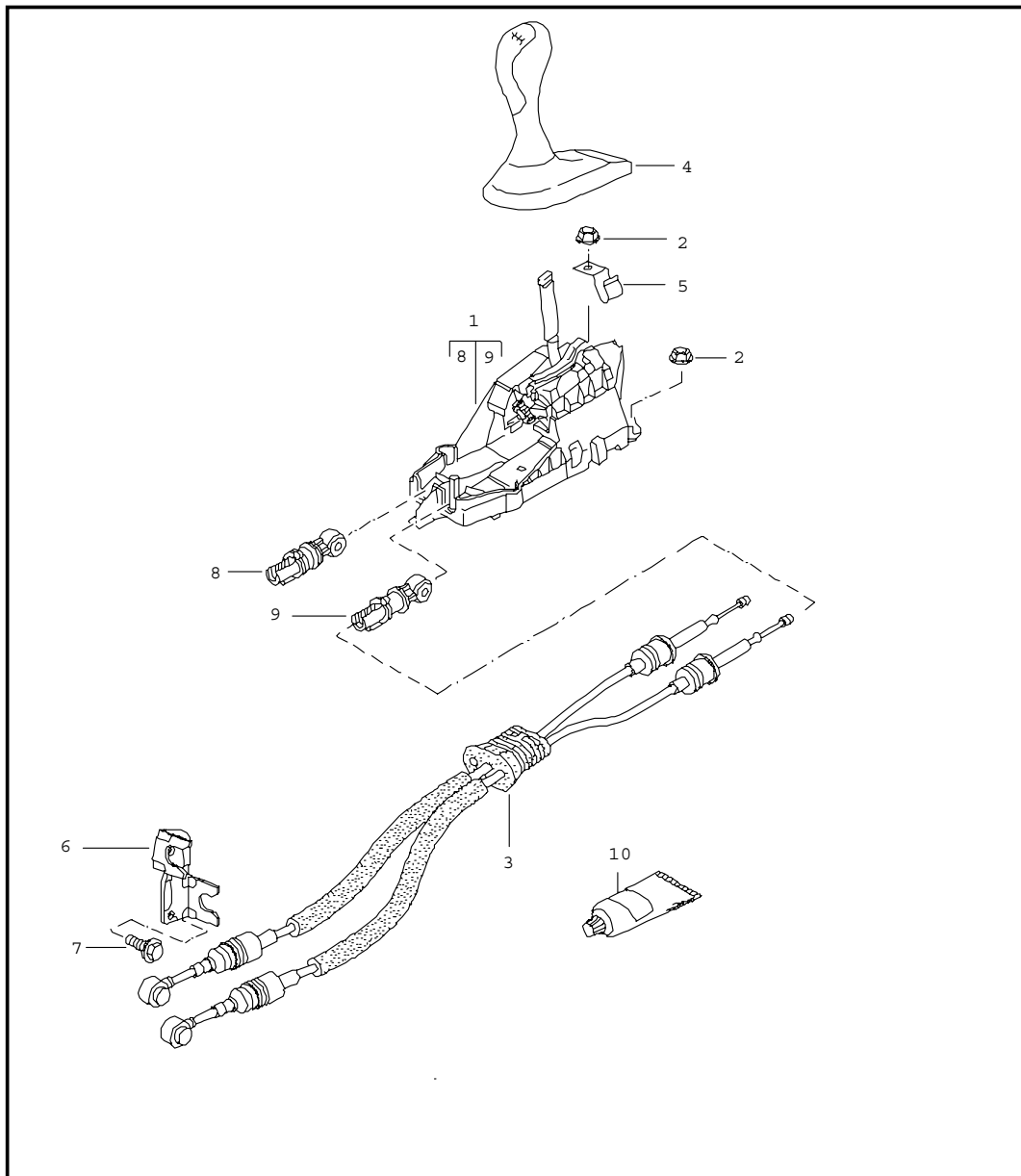


| Pos | Part Number      | Name   | Remarks | Qty | Model     |
|-----|------------------|--|---------|-----|-----------|
|     |                  | hydraulic unit<br>anti-lock brake system<br>control                  |         |     |           |
| 1   | A 996 355 955 03 | hydraulic unit   |         | 1   | M 338     |
| (1) | 996 355 955 04   | hydraulic unit   | -01     | 1   | M 338     |
| (1) | 996 355 955 05   | hydraulic unit   | 02      | 1   | M 338     |
| (1) | 996 355 955 06   | hydraulic unit   | 03-     | 1   | M 338     |
| (1) | A 996 355 955 28 | hydraulic unit   |         | 1   | M 222/224 |
| (1) | 996 355 955 29   | hydraulic unit   | -01     | 1   | M 222/224 |
| (1) | 996 355 955 31   | hydraulic unit   | 02-     | 1   | M 222/224 |
| (1) | 996 355 955 40   | hydraulic unit   | 99      | 1   | M 339/476 |
| (1) | 996 355 955 46   | hydraulic unit<br>5.7<br>see technical manual<br>GRUPPE 0<br>NR.45-5 | 00      | 1   | M 338/476 |
| (1) | A 996 355 955 52 | hydraulic unit<br>5.7  | 01-     | 1   | M 338/476 |
| (1) | 996 355 955 54   | hydraulic unit<br>5.7  | 02-     | 1   | M 338/476 |
| (1) | 996 355 955 47   | hydraulic unit<br>5.7<br>see technical manual<br>GRUPPE 0<br>NR.45-5 | 00      | 1   | M 339/476 |
| (1) | A 996 355 955 53 | hydraulic unit<br>5.7  | 01-     | 1   | M 339/476 |
| (1) | A 996 355 955 55 | hydraulic unit<br>5.7  | 02-     | 1   | M 339/476 |
| (1) | 996 355 955 61   | hydraulic unit<br>5.7  | 02-     | 1   | M 339/476 |
| (1) | 996 355 955 63   | hydraulic unit<br>5.7  | 02-     | 1   | C 4-S     |
| 2   | 996 355 945 00   | damping piece  |         | 3   |           |
| 3   | 996 355 541 00   | spacer   |         | 1   |           |
| 4   | 996 355 133 03   | support  | -99     | 1   |           |

|       |      |    |    |              |              |        |       |            |         |     |         |
|-------|------|----|----|--------------|--------------|--------|-------|------------|---------|-----|---------|
| Model | Year | MG | SG | Illustration | Restrictions | Update | 11:30 | 25.11.2005 | PORSCHE | PET | PORSCHE |
| 996   | 05   | 6  | 05 | 605-00       |              | 194    |       |            |         |     |         |

| Pos  | Part Number    | Name  | Remarks           | Qty         | Model                  | Pos | Part Number | Name | Remarks | Qty | Model |
|------|----------------|---|-------------------|-------------|------------------------|-----|-------------|------|---------|-----|-------|
| (4)  | 996 355 133 04 | support<br>use also:<br>996.551.771.00                |                   | 1           |                        |     |             |      |         |     |       |
| (4)  | 996 355 033 41 | support<br>with<br>rubber mounting                    | 00-<br>02-        | 1<br>1      | M 476                  |     |             |      |         |     |       |
| -    | 964 356 635 00 | rubber mounting                                       | 00-<br>00-<br>02- | 2<br>3<br>3 | M 338/476<br>M 339/476 |     |             |      |         |     |       |
| -    | 999 703 379 40 | plug  | 00-<br>02-        | 2<br>2      | M 476                  |     |             |      |         |     |       |
| -    | 999 084 629 09 | hexagon nut<br>M 6                                    |                   | 3           |                        |     |             |      |         |     |       |
| 5    | 996 355 535 02 | support   |                   | 1           |                        |     |             |      |         |     |       |
| 6    | 996 355 559 00 | bolt  |                   | 2           |                        |     |             |      |         |     |       |
| 7    | 999 166 080 02 | lock  |                   | 2           |                        |     |             |      |         |     |       |
| 8    | 900 377 003 02 | hexagon nut<br>VM 8                                   |                   | 2           |                        |     |             |      |         |     |       |
| 9    | 996 618 140 00 | control unit  | 99                | 1           | M 339/476              |     |             |      |         |     |       |
| 10   | 996 606 301 00 | support   | 99                | 1           | M 339/476              |     |             |      |         |     |       |
| 11   | 996 618 038 00 | cover   | 99                | 1           | M 339/476              |     |             |      |         |     |       |
| 12   | 999 167 047 02 | ball pin  | 99                | 4           | M 339/476              |     |             |      |         |     |       |
| 13   | 996 606 110 01 | sensor  | 99                | 1           | M 339/476              |     |             |      |         |     |       |
| 14   | 996 606 108 00 | sensor  | 99                | 1           | M 339/476              |     |             |      |         |     |       |
| 15   | 996 606 208 00 | cover plate   | 99                | 1           | M 339/476              |     |             |      |         |     |       |
| (14) | 996 606 117 00 | sensor<br>see technical manual<br>GRUPPE 0<br>NR.45-5 | 00                | 1           | M 476                  |     |             |      |         |     |       |
| (14) | 996 606 145 00 | sensor  | 01-               | 1           | M 476                  |     |             |      |         |     |       |
|      |                | - - - E N D - - -                                     |                   |             |                        |     |             |      |         |     |       |

|       |      |    |    |              |              |        |       |            |         |     |         |
|-------|------|----|----|--------------|--------------|--------|-------|------------|---------|-----|---------|
| Model | Year | MG | SG | Illustration | Restrictions | Update | 11:30 | 25.11.2005 | PORSCHE | PET | PORSCHE |
| 996   | 05   | 7  | 01 | 701-00       |              | 194    |       |            |         |     |         |



| Pos   | Part Number    | Name   | Remarks | Qty | Model |
|-------|----------------|--|---------|-----|-------|
|       |                | transmission control<br>manual transmission  |         |     |       |
| 1     | 996 424 010 04 | gearshift bracket  | -02     | 1   |       |
| (1)   | 996 424 010 05 | gearshift bracket  | 03-     | 1   |       |
| (1) A | 996 424 983 00 | gearshift bracket  | 04      | 1   | XCZ   |
| (1)   | 997 424 983 00 | gearshift bracket  | 05-     | 1   | XCZ   |
| 2     | 999 084 629 09 | hexagon nut<br>M 6   |         | 4   |       |
| 3 A   | 996 424 041 08 | cable  |         | 1   |       |
| (3)   | 996 424 041 09 | cable<br>F >>99WS6 05722<br>F >>99WS6 05672  |         | 1   | M 220 |
| -     | 996 424 241 00 | clip<br>mount<br>cable<br>transmission control<br>F >>99WS6 05722<br>F >>99WS6 05672   |         | 2   | M 220 |
| (3)   | 996 424 041 10 | cable<br>F 99WS6 05723>><br>F 99WS6 05673>><br>F 99XS6 40074>><br>transmission control | -00     | 1   | M 220 |
| (3) A | 996 424 041 11 | cable<br>transmission control  | 01      | 1   |       |
| (3)   | 996 424 041 12 | cable<br>transmission control  | 02      | 1   |       |
| (3) A | 996 424 041 13 | cable<br>transmission control  | 03      | 1   |       |
| (3)   | 996 424 041 14 | cable<br>transmission control  | 04-     | 1   |       |
| -     | 986 424 411 00 | retaining clip<br>mount<br>cable<br>for<br>support                                     |         | 2   |       |
| 4 U   | 996 424 075 01 | gearshift knob   |         | 1   |       |
|       | EKQ            | black  |         |     |       |
|       | EKU            | space grey   |         |     |       |
|       | EKR            | graphite grey  |         |     |       |

|       |      |    |    |              |              |        |       |            |         |     |         |
|-------|------|----|----|--------------|--------------|--------|-------|------------|---------|-----|---------|
| Model | Year | MG | SG | Illustration | Restrictions | Update | 11:30 | 25.11.2005 | PORSCHE | PET | PORSCHE |
| 996   | 05   | 7  | 01 | 701-00       |              | 194    |       |            |         |     |         |

| Pos | Part Number    | Name                       | Remarks | Qty | Model | Pos | Part Number    | Name                           | Remarks | Qty | Model |
|-----|----------------|----------------------------|---------|-----|-------|-----|----------------|--------------------------------|---------|-----|-------|
|     | EKT            | metropole blue             |         |     |       |     | FGV            | savanna sport silver           |         |     |       |
|     | EKV            | nephrite green             |         |     |       |     | FGW            | metropole blue sport silver    |         |     |       |
|     | EKW            | boxster red                |         |     |       |     | FGX            | nephrite green sport silver    | 03      |     |       |
|     | EKS            | savanna                    |         |     |       |     | FGY            | boxster red sport silver       |         |     |       |
| (4) | 996 424 075 02 | gearshift knob             | -99     | 1   |       |     | FGZ            | cinnamon brown sport silver    |         |     |       |
|     | ENH            | black/silver               |         |     |       |     | VSW            | dark grey/natural sport silver |         |     |       |
|     | ENJ            | graphite grey/silver       |         |     |       |     | VSX            | brown/natural sport silver     |         |     |       |
|     | ENL            | metropole blue/silver      |         |     |       | (4) | 996 424 075 20 | gearshift knob                 | 04      | 1   | M 095 |
|     | ENM            | space grey/silver          |         |     |       |     | VTA            | dark grey/natural              |         |     |       |
|     | ENK            | savanna/silver             |         |     |       | (4) | 996 424 981 15 | gearshift knob                 | 01-02   | 1   | X97   |
|     | ENN            | nephrite green/silver      |         |     |       |     | VRJ            | black                          |         |     |       |
| (4) | 996 424 075 05 | gearshift knob             | 00-02   | 1   |       |     | C50            | graphite grey                  |         |     |       |
|     | ENJ            | graphite grey/silver       |         |     |       |     | S30            | savanna                        |         |     |       |
|     | ENK            | savanna/silver             |         |     |       |     | G10            | metropole blue                 |         |     |       |
|     | ENL            | metropole blue/silver      |         |     |       |     | M30            | boxster red                    |         |     |       |
|     | ENM            | space grey/silver          |         |     |       |     | P11            | cinnamon brown                 |         |     |       |
|     | EVZ            | black/silver               |         |     |       |     | D11            | dark grey/natural              |         |     |       |
|     | ENN            | nephrite green/silver      |         |     |       |     | T11            | brown/natural                  |         |     |       |
|     | ENO            | boxster red/silver         |         |     |       | (4) | 996 424 981 16 | gearshift knob                 | 01-02   | 1   | X72   |
|     | VRE            | dark grey/natural silver   |         |     |       |     | VRJ            | black                          |         |     |       |
|     | VRF            | brown/natural silver       |         |     |       |     | C50            | graphite grey                  |         |     |       |
|     | FEN            | cinnamon brown silver      | 01-02   |     |       |     | S30            | savanna                        |         |     |       |
| (4) | 996 424 075 05 | gearshift knob             | 03-     | 1   |       |     | G10            | metropole blue                 |         |     |       |
|     | FGT            | black sport silver         |         |     |       |     | M30            | boxster red                    |         |     |       |
|     | FGU            | graphite grey sport silver |         |     |       |     | P11            | cinnamon brown                 |         |     |       |
|     |                |                            |         |     |       |     | D11            | dark grey/natural              |         |     |       |



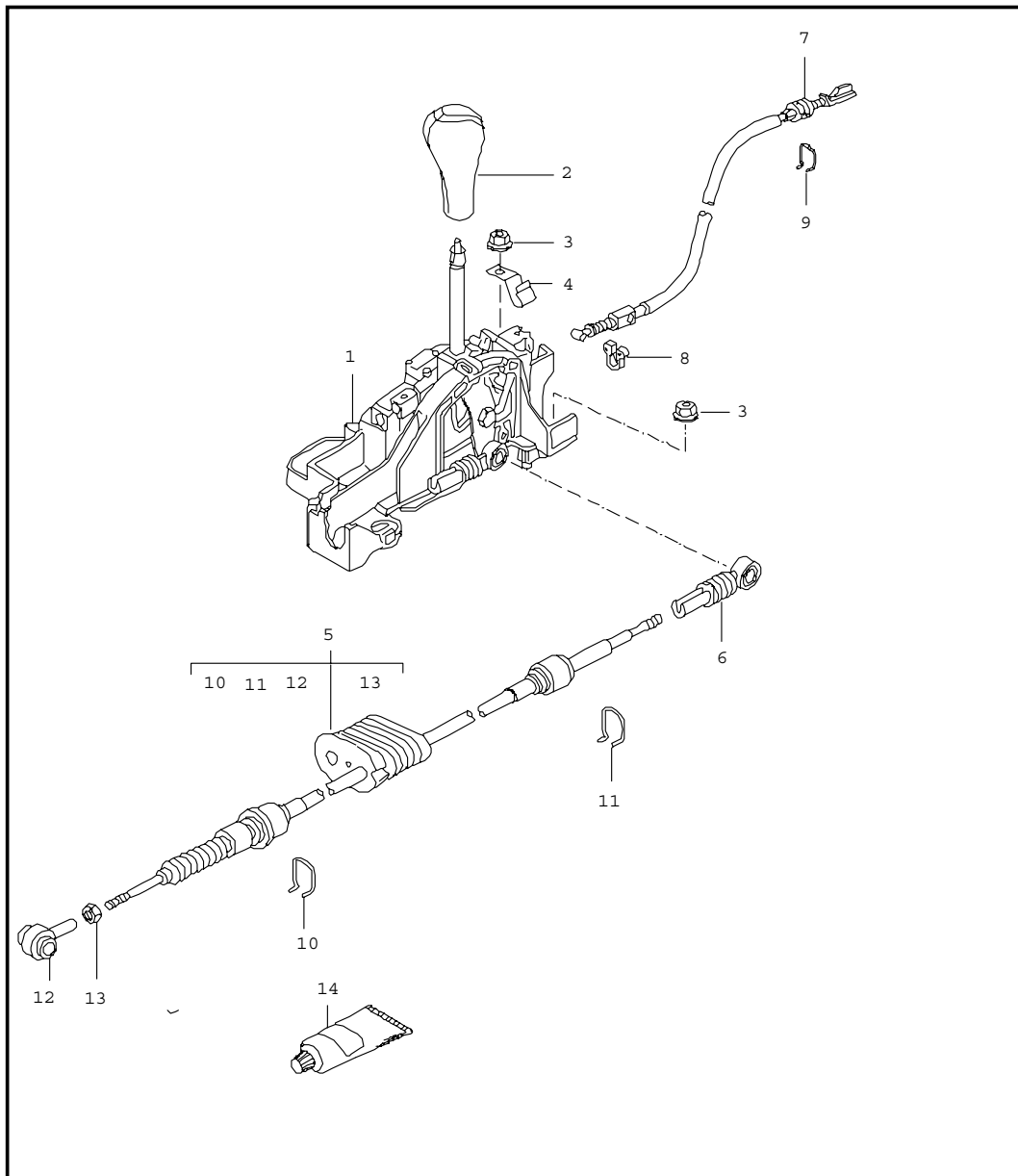
|       |      |    |    |              |              |        |       |            |         |     |         |
|-------|------|----|----|--------------|--------------|--------|-------|------------|---------|-----|---------|
| Model | Year | MG | SG | Illustration | Restrictions | Update | 11:30 | 25.11.2005 | PORSCHE | PET | PORSCHE |
| 996   | 05   | 7  | 01 | 701-00       |              | 194    |       |            |         |     |         |

| Pos | Part Number    | Name   | Remarks               | Qty | Model | Pos | Part Number    | Name   | Remarks               | Qty | Model |
|-----|----------------|--|-----------------------|-----|-------|-----|----------------|--|-----------------------|-----|-------|
| (4) | 996 424 981 17 | T11 brown/natural<br>gearshift knob<br>VRJ black<br>C50 graphite grey<br>S30 savanna<br>G10 metropole blue<br>M30 boxster red<br>P11 cinnamon brown<br>D11 dark grey/natural<br>T11 brown/natural  | 01-02                 | 1   | XE8   | (4) | 996 424 981 25 | gearshift knob<br>VRJ black<br>C50 graphite grey<br>S30 savanna<br>G10 metropole blue<br>J30 nephrite green<br>M30 boxster red<br>P11 cinnamon brown<br>D11 dark grey/natural<br>T11 brown/natural | 03-<br><br><br><br>03 | 1   | X72   |
| (4) | 996 424 981 18 | gearshift knob<br>VRJ black<br>C50 graphite grey<br>S30 savanna<br>G10 metropole blue<br>M30 boxster red<br>P11 cinnamon brown<br>D11 dark grey/natural<br>T11 brown/natural                       | 01-02                 | 1   | X47   | (4) | 996 424 981 28 | gearshift knob<br>VRJ black<br>C50 graphite grey<br>S30 savanna<br>G10 metropole blue<br>J30 nephrite green<br>M30 boxster red<br>P11 cinnamon brown<br>D11 dark grey/natural<br>T11 brown/natural | 03-<br><br><br><br>03 | 1   | XE8   |
| (4) | 996 424 981 22 | gearshift knob<br>VRJ black<br>C50 graphite grey<br>S30 savanna<br>G10 metropole blue<br>J30 nephrite green<br>M30 boxster red<br>P11 cinnamon brown<br>D11 dark grey/natural<br>T11 brown/natural | 03-<br><br><br><br>03 | 1   | X97   | (4) | 996 424 981 31 | gearshift knob<br>VRJ black<br>C50 graphite grey<br>S30 savanna<br>G10 metropole blue<br>J30 nephrite green<br>M30 boxster red<br>P11 cinnamon brown<br>D11 dark grey/natural                      | 03-<br><br><br><br>03 | 1   | X47   |

|       |      |    |    |              |              |        |       |            |         |     |         |
|-------|------|----|----|--------------|--------------|--------|-------|------------|---------|-----|---------|
| Model | Year | MG | SG | Illustration | Restrictions | Update | 11:30 | 25.11.2005 | PORSCHE | PET | PORSCHE |
| 996   | 05   | 7  | 01 | 701-00       |              | 194    |       |            |         |     |         |

| Pos | Part Number    | Name   | Remarks | Qty | Model | Pos | Part Number | Name | Remarks | Qty | Model |
|-----|----------------|--|---------|-----|-------|-----|-------------|------|---------|-----|-------|
|     | T11            | brown/natural                                |         |     |       |     |             |      |         |     |       |
| 5   | 986 424 211 00 | support                                      |         | 1   |       |     |             |      |         |     |       |
| 6   | 996 424 165 02 | support                                      |         | 1   |       |     |             |      |         |     |       |
| 7   | 999 073 209 09 | hexagon-head bolt<br>M 10 X 20               |         | 2   |       |     |             |      |         |     |       |
| -   | 996 424 445 00 | clip<br>for<br>fastening part                |         | X   |       |     |             |      |         |     |       |
| 8   | 996 424 145 00 | fastening part<br>for<br>cable<br>adjustable | -99     | 1   |       |     |             |      |         |     |       |
| (8) | 996 424 145 01 | fastening part<br>for<br>cable<br>adjustable | 00-     | 1   |       |     |             |      |         |     |       |
| 9   | 996 424 147 00 | fastening part<br>for<br>cable<br>adjustable |         | 1   |       |     |             |      |         |     |       |
| 10  | 000 043 205 93 | grease<br>1 tube 100 g                       |         | X   |       |     |             |      |         |     |       |
|     |                | - - - E N D - - -                            |         |     |       |     |             |      |         |     |       |

|       |      |    |    |              |              |        |       |            |         |     |         |
|-------|------|----|----|--------------|--------------|--------|-------|------------|---------|-----|---------|
| Model | Year | MG | SG | Illustration | Restrictions | Update | 11:30 | 25.11.2005 | PORSCHE | PET | PORSCHE |
| 996   | 05   | 7  | 01 | 701-01       |              | 194    |       |            |         |     |         |



| Pos | Part Number    | Name                              | Remarks | Qty | Model |
|-----|----------------|-----------------------------------|---------|-----|-------|
| 1   | 996 426 011 07 | selector lever<br>TIPTRONIC       | -99     | 1   |       |
| (1) | 996 426 011 08 | selector lever<br>with<br>housing | 00      | 1   |       |
| (1) | 996 426 011 09 | selector lever<br>with<br>housing | 01      | 1   |       |
| (1) | 996 426 011 51 | selector lever<br>with<br>housing | 02-     | 1   |       |
| -   | 996 613 212 10 | switch<br>selector lever          |         | 1   |       |
| -   | 996 624 223 00 | solenoid<br>selector lever        |         | 1   |       |
| 2   | 996 426 069 07 | gearshift knob                    | -99     | 1   |       |
|     |                | ENU black/silver                  |         |     |       |
|     |                | ENY space grey/silver             |         |     |       |
|     |                | ENV graphite grey/silver          |         |     |       |
|     |                | ENX metropole blue/silver         |         |     |       |
|     |                | ENZ nephrite green/silver         |         |     |       |
|     |                | EOA boxster red/silver            |         |     |       |
|     |                | ENW savanna/silver                |         |     |       |
| (2) | 996 426 069 09 | gearshift knob                    | 00-     | 1   |       |
|     |                | EOO silver-black                  | 00      |     |       |
|     |                | ERB black/silver                  | 01      |     |       |
|     |                | EOP graphite grey/silver          |         |     |       |
|     |                | EOQ savanna/silver                |         |     |       |
|     |                | EOR metropole blue/silver         |         |     |       |
|     |                | EOS space grey/silver             |         |     |       |
|     |                | EOT nephrite green/silver         |         |     |       |
|     |                | EPC boxster red/silver            |         |     |       |

|       |      |    |    |              |              |        |       |            |         |     |         |
|-------|------|----|----|--------------|--------------|--------|-------|------------|---------|-----|---------|
| Model | Year | MG | SG | Illustration | Restrictions | Update | 11:30 | 25.11.2005 | PORSCHE | PET | PORSCHE |
| 996   | 05   | 7  | 01 | 701-01       |              | 194    |       |            |         |     |         |

| Pos | Part Number    | Name                              | Remarks | Qty | Model | Pos | Part Number    | Name               | Remarks | Qty | Model |
|-----|----------------|-----------------------------------|---------|-----|-------|-----|----------------|--------------------|---------|-----|-------|
|     | VRG            | dark grey/natural                 |         |     |       | (2) | 996 426 981 06 | gearshift knob     | 01-02   | 1   | X46   |
|     | VRH            | brown/natural                     |         |     |       |     | VRJ            | black              |         |     |       |
|     | FEO            | cinnamon brown                    | 01      |     |       |     | C50            | graphite grey      |         |     |       |
| (2) | 996 426 069 10 | gearshift knob                    | 02      | 1   |       |     | S30            | savanna            |         |     |       |
|     | EOO            | silver-black                      |         |     |       |     | G10            | metropole blue     |         |     |       |
|     | ERB            | black/silver                      |         |     |       |     | M30            | boxster red        |         |     |       |
|     | EOP            | graphite grey/silver              |         |     |       |     | P11            | cinnamon brown     |         |     |       |
|     | EOQ            | savanna/silver                    |         |     |       |     | D11            | dark grey/natural  |         |     |       |
|     | EOR            | metropole blue/silver             |         |     |       |     | T11            | brown/natural      |         |     |       |
|     | EOS            | space grey/silver                 |         |     |       | (2) | 996 426 981 11 | gearshift knob     | 03-     | 1   | X46   |
|     | EOT            | nephrite green/silver             |         |     |       |     | VRJ            | black              |         |     |       |
|     | EPC            | boxster red/silver                |         |     |       |     | C50            | graphite grey      |         |     |       |
|     | VRG            | dark grey/natural                 |         |     |       |     | S30            | savanna            |         |     |       |
|     | VRH            | brown/natural                     |         |     |       |     | G10            | metropole blue     |         |     |       |
|     | FEO            | cinnamon brown                    |         |     |       |     | J30            | nephrite green     | 03      |     |       |
| (2) | 996 426 069 10 | gearshift knob                    | 03-     | 1   |       |     | M30            | boxster red        |         |     |       |
|     | FGJ            | black<br>sport silver             |         |     |       |     | P11            | cinnamon brown     |         |     |       |
|     | FGK            | graphite grey<br>sport silver     |         |     |       |     | D11            | dark grey/natural  |         |     |       |
|     | FGJ            | black<br>sport silver             |         |     |       |     | T11            | brown/natural      |         |     |       |
|     | FGK            | graphite grey<br>sport silver     |         |     |       | (2) | 996 426 981 07 | gearshift knob     | 01-02   | 1   | X65   |
|     | FGL            | savanna<br>sport silver           |         |     |       | (2) | 996 426 981 08 | gearshift knob     | 01-02   | 1   | X66   |
|     | FGM            | metropole blue<br>sport silver    |         |     |       | (2) | 996 426 981 09 | gearshift knob     | 01-02   | 1   | X48   |
|     | FGN            | nephrite green<br>sport silver    | 03      |     |       | (2) | 996 426 981 12 | gearshift knob     | 03-     | 1   | X65   |
|     | FGO            | boxster red<br>sport silver       |         |     |       | (2) | 996 426 981 13 | gearshift knob     | 03-     | 1   | X66   |
|     | FGP            | cinnamon brown<br>sport silver    |         |     |       | (2) | 996 426 981 14 | gearshift knob     | 03-     | 1   | X48   |
|     | VSU            | dark grey/natural<br>sport silver |         |     |       | - A | 996 426 275 02 | adjusting lever    | -99     | 1   |       |
|     | VSV            | brown/natural<br>sport silver     |         |     |       |     | V01            | silver             |         |     |       |
|     |                |                                   |         |     |       | -   | 996 426 277 00 | compression spring | -99     | 1   |       |
|     |                |                                   |         |     |       | - A | 996 426 277 01 | compression spring | 00-     | 1   |       |

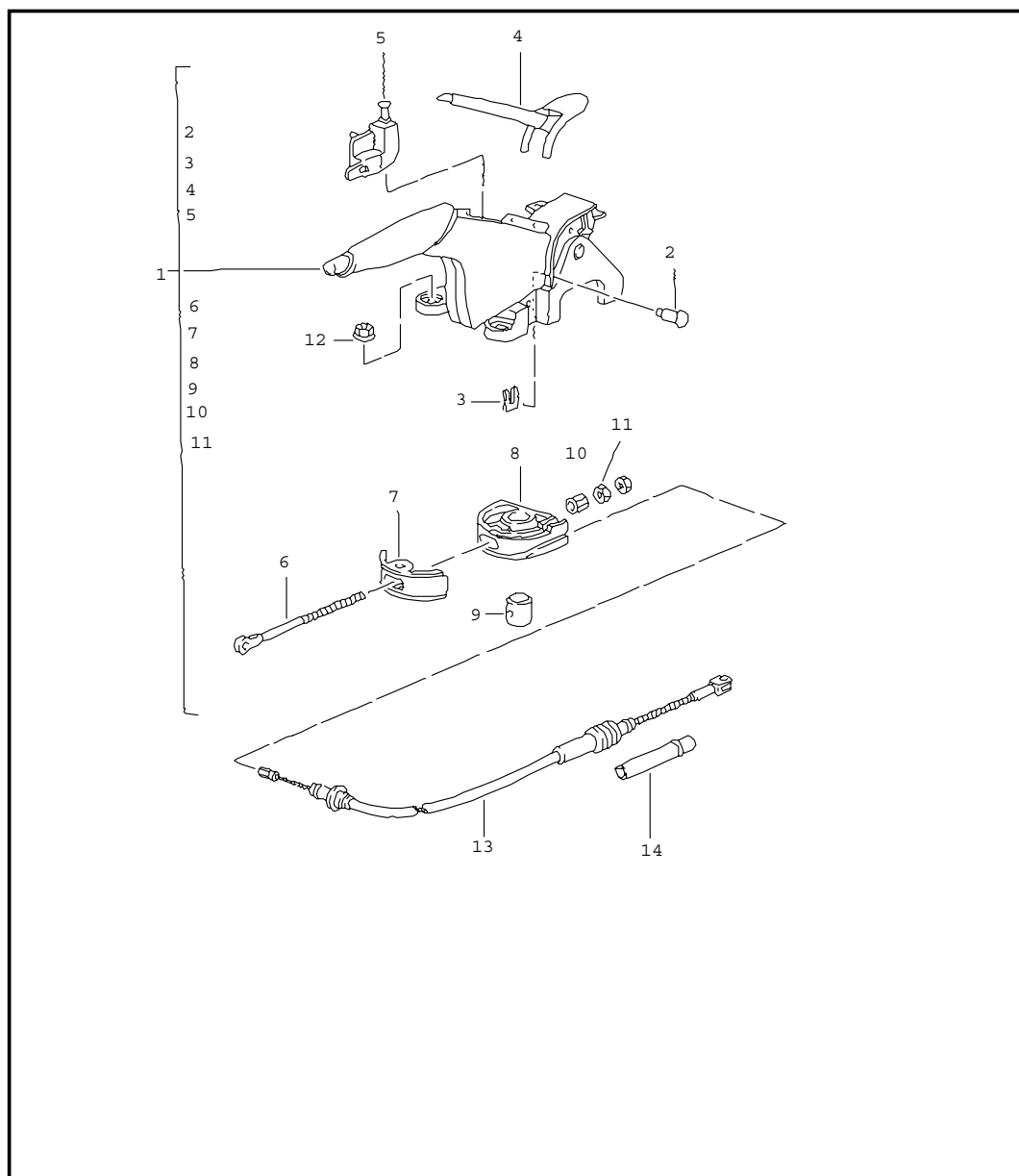
|       |      |    |    |              |              |        |       |            |         |     |         |
|-------|------|----|----|--------------|--------------|--------|-------|------------|---------|-----|---------|
| Model | Year | MG | SG | Illustration | Restrictions | Update | 11:30 | 25.11.2005 | PORSCHE | PET | PORSCHE |
| 996   | 05   | 7  | 01 | 701-01       |              | 194    |       |            |         |     |         |

| Pos | Part Number      | Name  | Remarks | Qty | Model              | Pos   | Part Number    | Name  | Remarks | Qty | Model |
|-----|------------------|---|---------|-----|--------------------|-------|----------------|---|---------|-----|-------|
| -   | 996 426 285 00   | fixing clip   |         | 1   |                    | 5     | 996 426 033 03 | cable<br>F >>99WS6 06582<br>F >>99WS6 40624   |         | 1   |       |
| -   | 321 713 137      | roller  | -99     | 1   |                    |       |                |   |         |     |       |
| -   | A 000 043 204 49 | repair kit<br>comprising:<br>adjusting lever<br>996.426.275.02 V01<br>compression spring<br>996.426.277.02<br>roller<br>321.713.137 | -01     | 1   |                    | (5)   | 996 426 033 07 | cable<br>F 99WS6 06583>><br>F 99WS6 40625>><br>F >>991S6 00606<br>F >>991S6 40456<br>F >>991S6 00987<br>F >>991S6 40767 | -01     | 1   |       |
| -   | 000 043 204 57   | repair kit<br>comprising:<br>adjusting lever<br>996.426.275.05 V01<br>compression spring<br>996.426.277.02<br>roller<br>321.713.137 | -01     | 1   |                    | (5) A | 996 426 033 08 | cable   | 01      | 1   |       |
| -   | 000 043 204 50   | repair kit<br><br>comprising:<br>adjusting lever<br>compression spring<br>996.426.277.02<br>roller<br>321.713.137                   | 01      | 1   | X46/X48<br>X65/X66 | (5) A | 996 426 033 09 | cable<br>F 991S6 00607>><br>F 991S6 40457>><br>F 991S6 00988>><br>F 991S6 40768>>                                       |         | 1   |       |
| -   | 000 043 204 50   | repair kit<br><br>comprising:<br>adjusting lever<br>compression spring<br>996.426.277.02<br>roller<br>321.713.137                   | 01      | 1   | X46/X48<br>X65/X66 | (5)   | 996 426 033 50 | cable   | 02      | 1   |       |
| -   | 000 043 204 50   | repair kit<br><br>comprising:<br>adjusting lever<br>compression spring<br>996.426.277.02<br>roller<br>321.713.137                   | 01      | 1   | X46/X48<br>X65/X66 | (5)   | 996 426 033 51 | cable   | 03      | 1   |       |
| -   | 000 043 204 57   | repair kit<br>comprising:<br>adjusting lever<br>996.426.275.05 V01<br>compression spring<br>996.426.277.02<br>roller<br>321.713.137 | 02      | 1   |                    | (5)   | 996 426 033 52 | cable   | 04-     | 1   |       |
| -   | 000 043 204 69   | repair kit<br>comprising:<br>adjusting lever<br>996.426.275.05 V03<br>compression spring<br>996.426.277.02<br>roller<br>321.713.137 | 03-     | 1   |                    | 6     | 996 426 035 00 | fastening part<br>for<br>cable<br>adjustable  |         | 1   |       |
| 3   | 999 084 629 09   | hexagon nut<br>M 6  |         | 4   |                    | 7     | 996 426 073 03 | cable   |         | 1   |       |
| 4   | 999 507 465 02   | cable holder  |         | 1   |                    | 8     | 996 426 181 00 | clip  |         | 1   |       |
|     |                  |   |         |     |                    | 9     | 996 426 711 00 | securing clip   |         | 1   |       |
|     |                  |   |         |     |                    | 10    | 996 426 335 00 | securing clip   |         | 1   |       |
|     |                  |   |         |     |                    | 11    | 996 426 335 01 | securing clip   |         | 1   |       |
|     |                  |   |         |     |                    | 12    | 996 426 380 00 | connecting piece<br>F >>991S6 00606<br>F >>991S6 40456<br>F >>991S6 00987<br>F >>991S6 40767                            |         | 1   |       |
|     |                  |   |         |     |                    | (12)  | 996 426 380 50 | connecting piece<br>F 991S6 00607>><br>F 991S6 40457>><br>F 991S6 00988>><br>F 991S6 40768>><br>F 991S6 50872>>         |         | 1   |       |
|     |                  |   |         |     |                    | 13    | 900 076 010 02 | hexagon nut<br>M 6  |         | 1   |       |

|       |      |    |    |              |              |        |       |            |         |     |         |
|-------|------|----|----|--------------|--------------|--------|-------|------------|---------|-----|---------|
| Model | Year | MG | SG | Illustration | Restrictions | Update | 11:30 | 25.11.2005 | PORSCHE | PET | PORSCHE |
| 996   | 05   | 7  | 01 | 701-01       |              | 194    |       |            |         |     |         |

| Pos | Part Number    | Name  | Remarks | Qty | Model | Pos | Part Number | Name | Remarks | Qty | Model |
|-----|----------------|---|---------|-----|-------|-----|-------------|------|---------|-----|-------|
| 14  | 000 043 205 93 | grease<br>1 tube 100 g<br><br>- - - E N D - - - |         | X   |       |     |             |      |         |     |       |

|       |      |    |    |              |              |        |       |            |         |     |         |
|-------|------|----|----|--------------|--------------|--------|-------|------------|---------|-----|---------|
| Model | Year | MG | SG | Illustration | Restrictions | Update | 11:30 | 25.11.2005 | PORSCHE | PET | PORSCHE |
| 996   | 05   | 7  | 01 | 701-05       |              | 194    |       |            |         |     |         |



| Pos | Part Number    | Name                         | Remarks | Qty | Model |
|-----|----------------|------------------------------|---------|-----|-------|
| 1   | 996 424 031 03 | handbrake actuator           |         |     |       |
|     |                | parking-brake lever complete | 98      | 1   |       |
|     |                | EKH black/granite            |         |     |       |
|     |                | EKM space grey/granite       |         |     |       |
|     |                | EKJ graphite grey/granite    |         |     |       |
|     |                | EKL metropole blue/granite   |         |     |       |
|     |                | EKN nephrite green/granite   |         |     |       |
|     |                | EKO boxster red/granite      |         |     |       |
|     |                | EKK savanna/granite          |         |     |       |
| (1) | 996 424 031 04 | parking-brake lever complete | 99      | 1   |       |
|     |                | EKH black/granite            |         |     |       |
|     |                | EKM space grey/granite       |         |     |       |
|     |                | EKJ graphite grey/granite    |         |     |       |
|     |                | EKL metropole blue/granite   |         |     |       |
|     |                | EKN nephrite green/granite   |         |     |       |
|     |                | EKO boxster red/granite      |         |     |       |
|     |                | EKK savanna/granite          |         |     |       |
| (1) | 996 424 031 05 | parking-brake lever complete | 00      | 1   |       |
|     |                | EUK black                    |         |     |       |
|     |                | EUO space grey               |         |     |       |
|     |                | EUL graphite grey            |         |     |       |
|     |                | EUN metropole blue           |         |     |       |
|     |                | EUP nephrite green           |         |     |       |
|     |                | EUQ boxster red              |         |     |       |
|     |                | EUM savanna                  |         |     |       |
|     |                | VRC dark grey/natural        |         |     |       |
|     |                | VRD brown/natural            |         |     |       |

|       |      |    |    |              |              |        |       |            |         |     |         |
|-------|------|----|----|--------------|--------------|--------|-------|------------|---------|-----|---------|
| Model | Year | MG | SG | Illustration | Restrictions | Update | 11:30 | 25.11.2005 | PORSCHE | PET | PORSCHE |
| 996   | 05   | 7  | 01 | 701-05       |              | 194    |       |            |         |     |         |

| Pos | Part Number    | Name                           | Remarks | Qty | Model | Pos | Part Number    | Name                | Remarks  | Qty | Model |
|-----|----------------|--------------------------------|---------|-----|-------|-----|----------------|---------------------|----------|-----|-------|
| (1) | 996 424 031 06 | parking-brake lever complete   | 01-02   | 1   |       | (1) | 996 424 980 22 | parking-brake lever | /LL01-02 | 1   | X98   |
|     | EUK            | black                          |         |     |       |     | VRJ            | black               |          |     |       |
|     | EUO            | space grey                     |         |     |       |     | C50            | graphite grey       |          |     |       |
|     | EUL            | graphite grey                  |         |     |       |     | S30            | savanna             |          |     |       |
|     | EUN            | metropole blue                 |         |     |       |     | G10            | metropole blue      |          |     |       |
|     | EUP            | nephrite green                 |         |     |       |     | J30            | nephrite green      |          |     |       |
|     | EUQ            | boxster red                    |         |     |       |     | M30            | boxster red         |          |     |       |
|     | EUM            | savanna                        |         |     |       |     | P11            | cinnamon brown      |          |     |       |
|     | VRC            | dark grey/natural              |         |     |       |     | D11            | dark grey/natural   |          |     |       |
|     | VRD            | brown/natural                  |         |     |       |     | T11            | brown/natural       |          |     |       |
|     | FEM            | cinnamon brown                 |         |     |       | (1) | 996 424 980 23 | parking-brake lever | /RL01-02 | 1   | X98   |
| (1) | 996 424 031 07 | parking-brake lever complete   | 03-     | 1   |       |     | VRJ            | black               |          |     |       |
|     | FFR            | black sport silver             |         |     |       |     | C50            | graphite grey       |          |     |       |
|     | FFS            | graphite grey sport silver     |         |     |       |     | S30            | savanna             |          |     |       |
|     | FFU            | metropole blue sport silver    |         |     |       |     | G10            | metropole blue      |          |     |       |
|     | FFT            | savanna sport silver           |         |     |       |     | J30            | nephrite green      |          |     |       |
|     | FFV            | nephrite green sport silver    | 03      |     |       |     | M30            | boxster red         |          |     |       |
|     | FFW            | boxster red sport silver       |         |     |       |     | P11            | cinnamon brown      |          |     |       |
|     | FFX            | cinnamon brown sport silver    |         |     |       |     | D11            | dark grey/natural   |          |     |       |
|     | VSR            | dark grey/natural sport silver |         |     |       |     | T11            | brown/natural       |          |     |       |
|     | VST            | brown/natural sport silver     |         |     |       | (1) | 996 424 980 24 | parking-brake lever | /LL01-02 | 1   | X58   |
| (1) | 996 424 031 08 | parking-brake lever complete   | 04      | 1   | M 095 |     | VRJ            | black               |          |     |       |
|     | VSZ            | dark grey/natural              |         |     |       |     | C50            | graphite grey       |          |     |       |
|     |                |                                |         |     |       |     | S30            | savanna             |          |     |       |
|     |                |                                |         |     |       |     | G10            | metropole blue      |          |     |       |
|     |                |                                |         |     |       |     | J30            | nephrite green      |          |     |       |
|     |                |                                |         |     |       |     | M30            | boxster red         |          |     |       |
|     |                |                                |         |     |       |     | P11            | cinnamon brown      |          |     |       |
|     |                |                                |         |     |       |     | D11            | dark grey/natural   |          |     |       |



|       |      |    |    |              |              |        |       |            |         |     |         |
|-------|------|----|----|--------------|--------------|--------|-------|------------|---------|-----|---------|
| Model | Year | MG | SG | Illustration | Restrictions | Update | 11:30 | 25.11.2005 | PORSCHE | PET | PORSCHE |
| 996   | 05   | 7  | 01 | 701-05       |              | 194    |       |            |         |     |         |

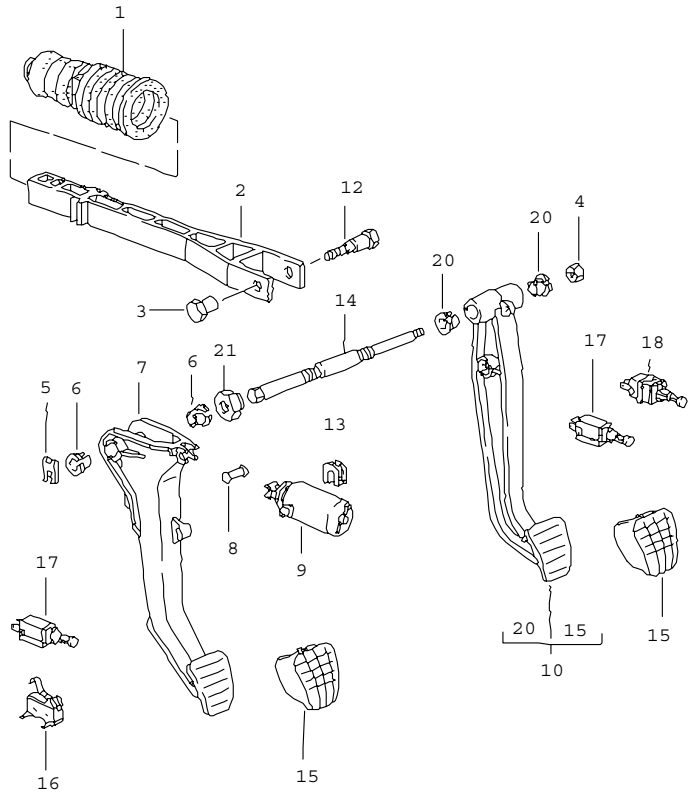
| Pos | Part Number    | Name                                     | Remarks  | Qty | Model | Pos | Part Number    | Name  | Remarks  | Qty | Model |
|-----|----------------|--|----------|-----|-------|-----|----------------|---|----------|-----|-------|
| (1) | 996 424 980 25 | T11 brown/natural<br>parking-brake lever | /RL01-02 | 1   | X58   | (1) | 996 424 980 28 | D11 dark grey/natural<br>T11 brown/natural<br>parking-brake lever | /LL01-02 | 1   | XE9   |
|     |                | VRJ black                                |          |     |       |     |                | VRJ black   |          |     |       |
|     |                | C50 graphite grey                        |          |     |       |     |                | C50 graphite grey   |          |     |       |
|     |                | S30 savanna                              |          |     |       |     |                | S30 savanna   |          |     |       |
|     |                | G10 metropole blue                       |          |     |       |     |                | G10 metropole blue  |          |     |       |
|     |                | J30 nephrite green                       |          |     |       |     |                | J30 nephrite green  |          |     |       |
|     |                | M30 boxer red                            |          |     |       |     |                | M30 boxer red   |          |     |       |
|     |                | P11 cinnamon brown                       |          |     |       |     |                | P11 cinnamon brown  |          |     |       |
|     |                | D11 dark grey/natural                    |          |     |       |     |                | D11 dark grey/natural   |          |     |       |
| (1) | 996 424 980 26 | T11 brown/natural<br>parking-brake lever | /LL01-02 | 1   | X91   | (1) | 996 424 980 29 | T11 brown/natural<br>parking-brake lever<br>complete              | /RL01-02 | 1   | XE9   |
|     |                | VRJ black                                |          |     |       |     |                | VRJ black   |          |     |       |
|     |                | C50 graphite grey                        |          |     |       |     |                | C50 graphite grey   |          |     |       |
|     |                | S30 savanna                              |          |     |       |     |                | S30 savanna   |          |     |       |
|     |                | G10 metropole blue                       |          |     |       |     |                | G10 metropole blue  |          |     |       |
|     |                | J30 nephrite green                       |          |     |       |     |                | J30 nephrite green  |          |     |       |
|     |                | M30 boxer red                            |          |     |       |     |                | M30 boxer red   |          |     |       |
|     |                | P11 cinnamon brown                       |          |     |       |     |                | P11 cinnamon brown  |          |     |       |
|     |                | D11 dark grey/natural                    |          |     |       |     |                | D11 dark grey/natural   |          |     |       |
| (1) | 996 424 980 27 | T11 brown/natural<br>parking-brake lever | /RL01-02 | 1   | X91   | (1) | 996 424 980 38 | T11 brown/natural<br>parking-brake lever<br>complete              | /LL 03-  | 1   | X98   |
|     |                | VRJ black                                |          |     |       |     |                | VRJ black   |          |     |       |
|     |                | C50 graphite grey                        |          |     |       |     |                | C50 graphite grey   |          |     |       |
|     |                | S30 savanna                              |          |     |       |     |                | S30 savanna   |          |     |       |
|     |                | G10 metropole blue                       |          |     |       |     |                | G10 metropole blue  |          |     |       |
|     |                | J30 nephrite green                       |          |     |       |     |                | J30 nephrite green  |          |     |       |
|     |                | M30 boxer red                            |          |     |       |     |                | M30 boxer red   |          |     |       |
|     |                | P11 cinnamon brown                       |          |     |       |     |                | P11 cinnamon brown  |          |     |       |
|     |                |  |          |     |       |     |                |   | 03       |     |       |

|       |      |    |    |              |              |        |       |            |         |     |         |
|-------|------|----|----|--------------|--------------|--------|-------|------------|---------|-----|---------|
| Model | Year | MG | SG | Illustration | Restrictions | Update | 11:30 | 25.11.2005 | PORSCHE | PET | PORSCHE |
| 996   | 05   | 7  | 01 | 701-05       |              | 194    |       |            |         |     |         |

| Pos | Part Number    | Name                         | Remarks | Qty | Model | Pos | Part Number    | Name                         | Remarks | Qty | Model |
|-----|----------------|------------------------------|---------|-----|-------|-----|----------------|------------------------------|---------|-----|-------|
|     | M30            | boxster red                  |         |     |       |     | G10            | metropole blue               |         |     |       |
|     | P11            | cinnamon brown               |         |     |       |     | J30            | nephrite green               | 03      |     |       |
|     | D11            | dark grey/natural            |         |     |       |     | M30            | boxster red                  |         |     |       |
|     | T11            | brown/natural                |         |     |       |     | P11            | cinnamon brown               |         |     |       |
| (1) | 996 424 980 39 | parking-brake lever complete | /RL 03- | 1   | X98   |     | D11            | dark grey/natural            |         |     |       |
|     | VRJ            | black                        |         |     |       |     | T11            | brown/natural                |         |     |       |
|     | C50            | graphite grey                |         |     |       | (1) | 996 424 980 42 | parking-brake lever complete | /LL 03- | 1   | X91   |
|     | S30            | savanna                      |         |     |       |     | VRJ            | black                        |         |     |       |
|     | G10            | metropole blue               |         |     |       |     | C50            | graphite grey                |         |     |       |
|     | J30            | nephrite green               | 03      |     |       |     | S30            | savanna                      |         |     |       |
|     | M30            | boxster red                  |         |     |       |     | G10            | metropole blue               |         |     |       |
|     | P11            | cinnamon brown               |         |     |       |     | J30            | nephrite green               | 03      |     |       |
|     | D11            | dark grey/natural            |         |     |       |     | M30            | boxster red                  |         |     |       |
|     | T11            | brown/natural                |         |     |       |     | P11            | cinnamon brown               |         |     |       |
| (1) | 996 424 980 50 | parking-brake lever complete | /LL 03- | 1   | X58   |     | D11            | dark grey/natural            |         |     |       |
|     | VRJ            | black                        |         |     |       |     | T11            | brown/natural                |         |     |       |
|     | C50            | graphite grey                |         |     |       | (1) | 996 424 980 43 | parking-brake lever complete | /RL 03- | 1   | X91   |
|     | S30            | savanna                      |         |     |       |     | VRJ            | black                        |         |     |       |
|     | G10            | metropole blue               |         |     |       |     | C50            | graphite grey                |         |     |       |
|     | J30            | nephrite green               | 03      |     |       |     | S30            | savanna                      |         |     |       |
|     | M30            | boxster red                  |         |     |       |     | G10            | metropole blue               |         |     |       |
|     | P11            | cinnamon brown               |         |     |       |     | J30            | nephrite green               | 03      |     |       |
|     | D11            | dark grey/natural            |         |     |       |     | M30            | boxster red                  |         |     |       |
|     | T11            | brown/natural                |         |     |       |     | P11            | cinnamon brown               |         |     |       |
| (1) | 996 424 980 51 | parking-brake lever complete | /RL 03- | 1   | X58   |     | D11            | dark grey/natural            |         |     |       |
|     | VRJ            | black                        |         |     |       |     | T11            | brown/natural                |         |     |       |
|     | C50            | graphite grey                |         |     |       | (1) | 996 424 980 46 | parking-brake lever complete | /LL 03- | 1   | XE9   |
|     | S30            | savanna                      |         |     |       |     | VRJ            | black                        |         |     |       |



|       |      |    |    |              |              |        |       |            |         |     |         |
|-------|------|----|----|--------------|--------------|--------|-------|------------|---------|-----|---------|
| Model | Year | MG | SG | Illustration | Restrictions | Update | 11:31 | 25.11.2005 | PORSCHE | PET | PORSCHE |
| 996   | 05   | 7  | 02 | 702-00       |              | 194    |       |            |         |     |         |

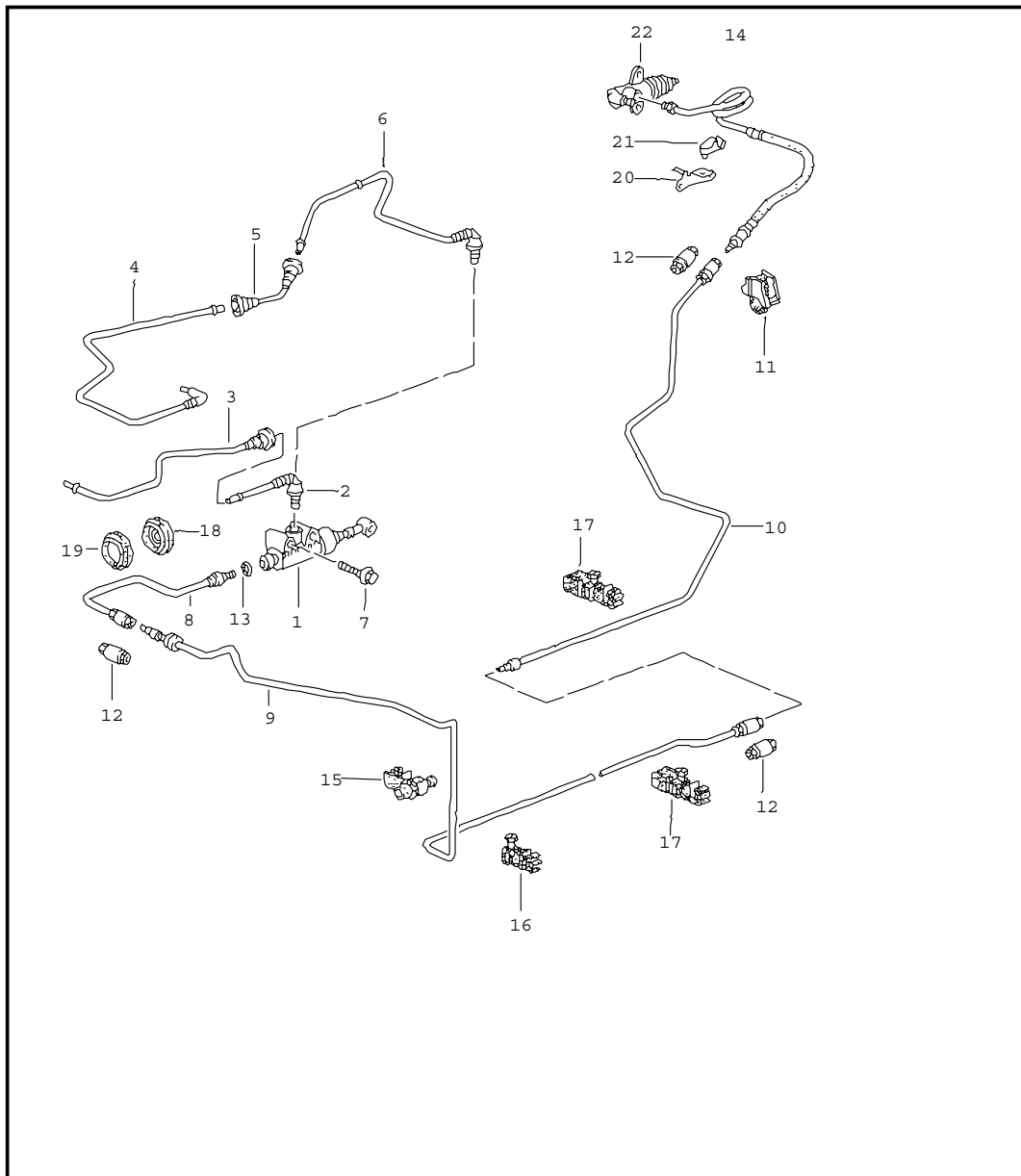


| Pos | Part Number      | Name                      | Remarks | Qty | Model |
|-----|------------------|---------------------------|---------|-----|-------|
|     |                  | pedals                    |         |     |       |
|     |                  | see technical manual      |         |     |       |
|     |                  | 46 05 19                  |         |     |       |
|     |                  | 30 05 19                  |         |     |       |
|     |                  | 47 70 19                  |         |     |       |
| -   | 000 043 203 37   | grease                    |         | X   |       |
|     |                  | OPTITEMP LG2              |         |     |       |
| 1   | ...              | bellows                   |         | 1   |       |
|     |                  | see illustrations         |         |     |       |
|     |                  | 6/04/00                   |         |     |       |
| 2   | U 996 423 165 04 | push rod                  |         | 1   |       |
|     |                  | F >>99YS6 00595           |         |     |       |
|     |                  | F >>99YS6 40393           |         |     |       |
|     |                  | see technical information |         |     |       |
|     |                  | group 4                   |         |     |       |
|     |                  | NR.11/01                  |         |     |       |
| (2) | 996 423 165 05   | push rod                  |         | 1   |       |
|     |                  | F 99YS6 00596>>           |         |     |       |
|     |                  | F 99YS6 40394>>           |         |     |       |
| -   | 999 166 075 02   | lock                      |         | 1   |       |
|     |                  | push rod                  |         |     |       |
|     |                  | brake booster             |         |     |       |
| 3   | 996 423 307 00   | bush                      |         | 1   |       |
| 4   | 900 380 005 09   | hexagon nut               |         | 3   |       |
|     |                  | M 8                       |         | 2   |       |
| 5   | 999 507 601 01   | lock                      |         | 1   | M 480 |
| 6   | 996 423 399 01   | bush                      |         | 2   | M 480 |
| 7   | A 996 423 139 08 | clutch pedal              |         | 1   | M 480 |
|     |                  | F >>99XS6 01584           |         |     |       |
|     |                  | F >>99XS6 40899           |         |     |       |
| (7) | 996 423 139 09   | clutch pedal              | -99     | 1   | M 480 |
| (7) | 996 423 139 10   | clutch pedal              |         | 1   | M 480 |
|     |                  | F 99XS6 01585>>           |         |     |       |
|     |                  | F 99XS6 40900>>           |         |     |       |
|     |                  | use also:                 |         |     |       |
|     |                  | F >>99XS6 01584           |         |     |       |
|     |                  | F >>99XS6 40899           |         |     |       |
|     |                  | 996.423.081.11            |         |     |       |
| 8   | 996 423 313 01   | bolt                      |         | 1   | M 480 |
|     |                  | F >>99XS6 01584           |         |     |       |
|     |                  | F >>99XS6 40899           |         |     |       |

|       |      |    |    |              |              |        |       |            |         |     |         |
|-------|------|----|----|--------------|--------------|--------|-------|------------|---------|-----|---------|
| Model | Year | MG | SG | Illustration | Restrictions | Update | 11:31 | 25.11.2005 | PORSCHE | PET | PORSCHE |
| 996   | 05   | 7  | 02 | 702-00       |              | 194    |       |            |         |     |         |

| Pos  | Part Number    | Name   | Remarks | Qty | Model | Pos    | Part Number    | Name                   | Remarks | Qty | Model |
|------|----------------|--|---------|-----|-------|--------|----------------|------------------------|---------|-----|-------|
| (8)  | 996 423 315 06 | bolt<br>F 99XS6 01585>><br>F 99XS6 40900>>   |         | 1   | M 480 | 12     | 996 423 308 00 | bolt                   |         | 1   |       |
| -    | 999 166 022 02 | lock<br>for<br>bolt<br>F 99XS6 01585>><br>F 99XS6 40900>>  |         | 1   | M 480 | 13     | 996 423 581 00 | bush                   |         | 1   |       |
| 9 A  | 996 423 081 09 | clutch power spring<br>F >>99XS6 01584<br>F >>99XS6 40899  |         | 1   | M 480 | 14     | 996 423 281 05 | axle                   | /LL     | 1   | M 480 |
| (9)  | 996 423 081 11 | clutch power spring<br>F 99XS6 01585>><br>F 99XS6 40900>><br>use also:<br>F >>99XS6 01584<br>F >>99XS6 40899<br>996.423.139.09 |         | 1   | M 480 | (14)   | 996 423 284 05 | axle                   | /RL     | 1   | M 480 |
| (9)  | 996 423 081 14 | clutch power spring  | -02     | 1   | M 480 | (14)   | 996 423 283 05 | axle                   | /LL     | 1   | M 249 |
| (9)  | 996 423 081 17 | clutch power spring  | 03      | 1   | M 480 | (14)   | 996 423 286 05 | axle                   | /RL     | 1   | M 249 |
| (9)  | 996 423 081 18 | clutch power spring  | 04      | 1   | M 480 | -      | 996 423 277 00 | sleeve<br>brake pedal  | /RL     | 1   |       |
| -    | 996 423 571 02 | bracket<br>for<br>clutch power spring  |         | 1   | M 480 | 15     | 996 423 210 03 | cap                    |         | 2   | M 480 |
| 10   | 996 423 091 02 | brake pedal  | /LL -99 | 1   | M 480 | (15)   | 996 423 212 03 | cap                    |         | 1   | M 249 |
| (10) | 996 423 091 03 | brake pedal  | /LL 00- | 1   | M 480 | 17 A   | 996 613 113 00 | switch<br>brake pedal  |         | 2   | M 454 |
| (10) | 996 423 092 02 | brake pedal  | /RL -99 | 1   | M 480 | (17)   | 996 613 113 01 | switch<br>brake pedal  |         | 2   | M 454 |
| (10) | 996 423 092 03 | brake pedal  | /RL 00- | 1   | M 480 | (17) A | 996 613 114 00 | switch<br>clutch pedal | -99     | 1   | M 454 |
| (10) | 996 423 093 02 | brake pedal  | /LL -99 | 1   | M 249 | (17)   | 996 613 114 01 | switch<br>clutch pedal | -99     | 1   | M 454 |
| (10) | 996 423 093 03 | brake pedal  | /LL 00- | 1   | M 249 | (17)   | 996 613 114 01 | switch<br>clutch pedal | 00-     | 1   |       |
| (10) | 996 423 094 02 | brake pedal  | /RL -99 | 1   | M 249 | 18     | 996 613 113 01 | switch                 |         | 1   |       |
| (10) | 996 423 094 03 | brake pedal  | /RL 00- | 1   | M 249 | 19     | 964 613 211 00 | kickdown switch        |         | 1   | M 249 |
| -    | 999 522 033 00 | return spring<br>brake pedal   |         | 2   |       | 20     | 996 423 399 01 | bush                   | /LL     | 2   |       |
| -    | 996 423 101 00 | protective tube<br>return spring<br>brake pedal  |         | 1   |       | (20)   | 999 924 133 40 | bush                   | /RL     | 2   |       |
| -    | 996 423 243 00 | bush<br>return spring  | 00-     | 1   |       | 21 A   | 996 423 275 04 | screw plug             | -03     | 1   |       |
|      |                |  |         |     |       | (21)   | 996 423 275 05 | screw plug             | 04-     | 1   |       |
|      |                |  |         |     |       |        |                | - - - E N D - - -      |         |     |       |

|       |      |    |    |              |              |        |       |            |         |     |         |
|-------|------|----|----|--------------|--------------|--------|-------|------------|---------|-----|---------|
| Model | Year | MG | SG | Illustration | Restrictions | Update | 11:31 | 25.11.2005 | PORSCHE | PET | PORSCHE |
| 996   | 05   | 7  | 02 | 702-08       |              | 194    |       |            |         |     |         |

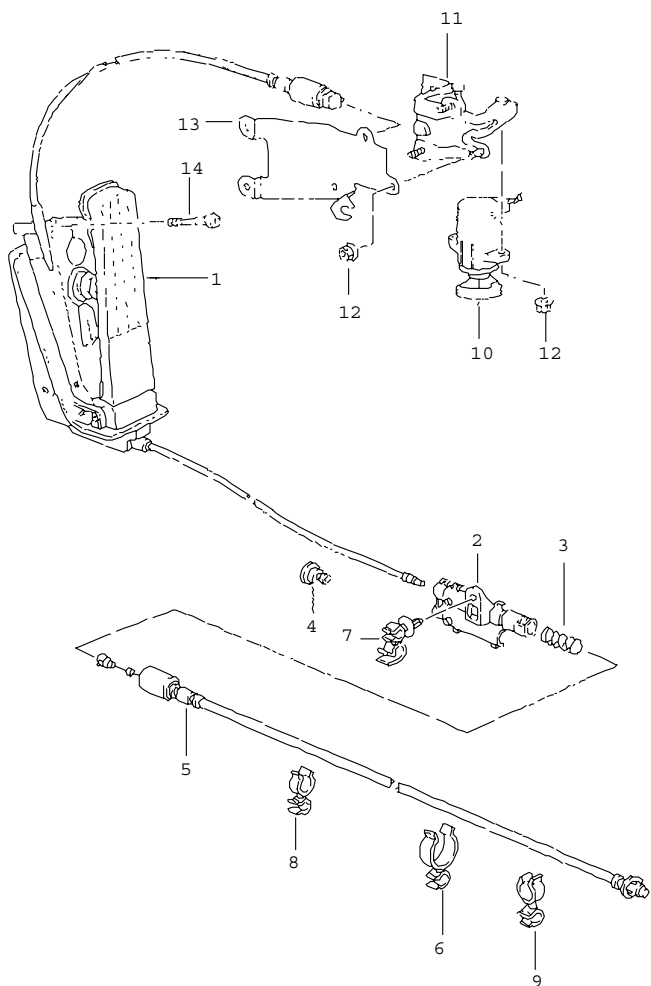


| Pos  | Part Number      | Name   | Remarks | Qty | Model |
|------|------------------|--|---------|-----|-------|
|      |                  | clutch control<br>clutch master cylinder<br>clutch pipeline              |         |     |       |
| 1    | A 996 423 171 05 | clutch master cylinder   | -02     | 1   |       |
| (1)  | 996 423 171 06   | clutch master cylinder   | 03-     | 1   |       |
| -    | 996 423 614 00   | circlip<br>pressure line   |         | 1   |       |
| -    | 996 423 315 06   | bolt   |         | 1   |       |
| -    | 999 166 022 02   | safety clip<br>for<br>bolt   |         | 1   |       |
| 2    | 996 423 147 00   | feed line  | /LL -02 | 1   |       |
| (2)  | 996 423 147 01   | feed line  | /LL 03- | 1   |       |
| 3    | 997 423 137 00   | feed line  | /LL     | 1   |       |
| 4    | 996 423 138 03   | line   | /RL -02 | 1   |       |
| (4)  | 996 423 138 04   | feed line  | /RL 03- | 1   |       |
| 5    | 996 423 140 02   | feed line  | /RL     | 1   |       |
| 6    | 996 423 142 01   | feed line  | /RL -02 | 1   |       |
| (6)  | 996 423 142 02   | feed line  | /RL 03- | 1   |       |
| 7    | 900 378 029 09   | hexagon-head bolt<br>M 6 X 40  |         | 2   |       |
| 8    | 996 423 107 10   | clutch pipeline  | /LL     | 1   |       |
| (8)  | 996 423 108 10   | clutch pipeline  | /RL     | 1   |       |
| 9    | 996 423 109 10   | clutch pipeline  |         | 1   |       |
| 10   | 996 423 113 04   | clutch pipeline<br>F >>99XS6 06898<br>F >>99XS6 44623                    |         | 1   |       |
| (10) | 996 423 113 05   | clutch pipeline<br>F 99XS6 06899>><br>F 99XS6 44624>>                    | -01     | 1   |       |
| (10) | 996 423 113 07   | clutch pipeline<br>F >>994S6 30356<br>F >>994S6 03928<br>F >>994S6 42725 | 02-     | 1   |       |

|       |      |    |    |              |              |        |       |            |         |     |         |
|-------|------|----|----|--------------|--------------|--------|-------|------------|---------|-----|---------|
| Model | Year | MG | SG | Illustration | Restrictions | Update | 11:31 | 25.11.2005 | PORSCHE | PET | PORSCHE |
| 996   | 05   | 7  | 02 | 702-08       |              | 194    |       |            |         |     |         |

| Pos    | Part Number    | Name   | Remarks | Qty | Model | Pos | Part Number | Name | Remarks | Qty | Model |
|--------|----------------|--|---------|-----|-------|-----|-------------|------|---------|-----|-------|
| (10)   | 997 423 113 00 | clutch pipeline<br>F 994S6 30357>><br>F 994S6 03929>><br>F 994S6 42726>> |         | 1   |       |     |             |      |         |     |       |
| 11     | 999 507 495 40 | support  |         | 1   |       |     |             |      |         |     |       |
| 12     | 999 230 541 10 | threaded joint   |         | 3   |       |     |             |      |         |     |       |
| -      | 999 230 685 40 | circlip<br>for<br>threaded joint   |         | 3   |       |     |             |      |         |     |       |
| 13     | 999 707 333 40 | sealing ring   |         | 1   |       |     |             |      |         |     |       |
| 14     | 996 423 377 07 | clutch hose  | -01     | 1   |       |     |             |      |         |     |       |
| (14) A | 996 423 377 08 | clutch hose  | 02      | 1   |       |     |             |      |         |     |       |
| (14)   | 996 423 377 09 | clutch hose<br>F >>994S6 30356<br>F >>994S6 03928<br>F >>994S6 42725     | 03-     | 1   |       |     |             |      |         |     |       |
| (14)   | 997 423 377 00 | clutch hose<br>F 994S6 30357>><br>F 994S6 03929>><br>F 994S6 42726>>     |         | 1   |       |     |             |      |         |     |       |
| 15     | 996 355 549 00 | support  |         | 1   |       |     |             |      |         |     |       |
| 16     | 996 355 545 00 | support  |         | 2   |       |     |             |      |         |     |       |
| 17     | 996 355 543 00 | support  |         | 4   |       |     |             |      |         |     |       |
| 18     | 999 702 216 42 | grommet  |         | 1   |       |     |             |      |         |     |       |
| 19     | 999 702 217 41 | grommet  |         | 1   | M 249 |     |             |      |         |     |       |
| 20 A   | 996 423 677 00 | support  |         | 1   |       |     |             |      |         |     |       |
| (20)   | 996 423 677 00 | support  |         | 1   |       |     |             |      |         |     |       |
| -      | 999 507 586 40 | cable holder   |         | 1   |       |     |             |      |         |     |       |
| 21     | 999 507 586 40 | bracket  |         | 1   |       |     |             |      |         |     |       |
| 22 A   | 996 116 237 04 | clutch operating cylinder  |         | 1   |       |     |             |      |         |     |       |
| (22) A | 996 116 237 05 | clutch operating cylinder  |         | 1   |       |     |             |      |         |     |       |
| (22)   | 996 116 237 06 | clutch operating cylinder  |         | 1   |       |     |             |      |         |     |       |
| -      | 900 075 222 09 | hexagon-head bolt<br>M 8 X 30  |         | 2   |       |     |             |      |         |     |       |
|        |                | - - - E N D - - -  |         |     |       |     |             |      |         |     |       |

|       |      |    |    |              |              |        |       |            |         |     |         |
|-------|------|----|----|--------------|--------------|--------|-------|------------|---------|-----|---------|
| Model | Year | MG | SG | Illustration | Restrictions | Update | 11:31 | 25.11.2005 | PORSCHE | PET | PORSCHE |
| 996   | 05   | 7  | 02 | 702-10       |              | 194    |       |            |         |     |         |



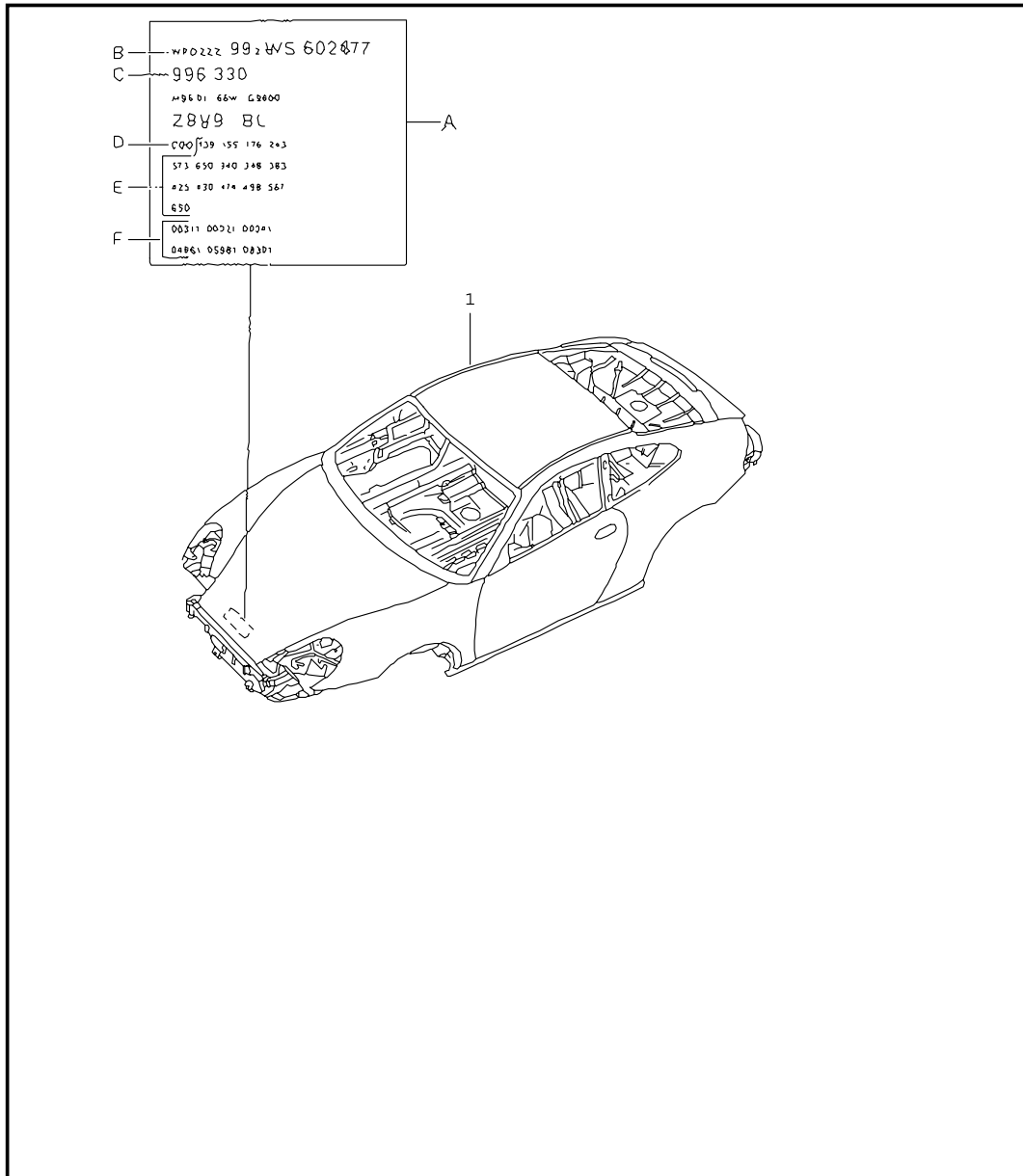
| Pos | Part Number    | Name   | Remarks | Qty | Model              |
|-----|----------------|--|---------|-----|--------------------|
|     |                | pedals   |         |     |                    |
|     |                | accelerator control                            |         |     |                    |
| 1   | 996 423 021 09 | accelerator control                            | /LL     | 1   | M 480              |
| (1) | 996 423 022 09 | accelerator control                            | /RL     | 1   | M 480              |
| (1) | 996 423 023 09 | accelerator control                            | /LL     | 1   | M 249              |
| (1) | 996 423 024 09 | accelerator control                            | /RL     | 1   | M 249              |
| (1) | 996 423 025 09 | accelerator control                            | /LL     | 1   | M 480/454          |
| (1) | 996 423 026 09 | accelerator control                            | /RL     | 1   | M 480/454          |
| (1) | 996 423 027 09 | accelerator control                            | /LL     | 1   | M 249/454          |
| (1) | 996 423 028 09 | accelerator control                            | /RL     | 1   | M 249/454          |
| (1) | 996 423 019 03 | accelerator control                            | /LL 99  | 1   | M 620<br>M 339/480 |
|     |                |  | /LL -02 | 1   | M 480              |
| (1) | 996 423 019 04 | accelerator control                            | /LL 03- | 1   | M 480              |
| (1) | 996 423 029 03 | accelerator control                            | /LL 99  | 1   | M 620<br>M 339/249 |
|     |                |  | /LL -02 | 1   | M 249              |
| (1) | 996 423 020 01 | accelerator control                            | /RL 99  | 1   | M 620<br>M 339/480 |
|     |                |  | /RL -02 | 1   | M 480              |
| (1) | 996 423 020 02 | accelerator control                            | /RL 03- | 1   | M 480              |
| (1) | 996 423 030 01 | accelerator control                            | /RL 99  | 1   | M 620<br>M 339/249 |
|     |                |  | /RL -02 | 1   | M 249              |
| (1) | 996 423 030 02 | accelerator control                            | /RL 03- | 1   | M 249              |
| -   | 996 423 396 00 | circlip<br>connecting rod<br>accelerator pedal | 03-     | 1   |                    |
| 2   | 996 423 131 04 | housing  |         | 1   |                    |
| 3   | 996 423 133 00 | spring   |         | 1   |                    |
| 4   | 996 423 331 00 | grommet  |         | 1   |                    |
| (4) | 803 803 583 A  | plug   |         | 1   |                    |
| 5   | 996 423 229 04 | accelerator cable                              | /LL     | 1   | M 480              |
| (5) | 996 423 228 04 | accelerator cable                              | /RL     | 1   | M 480              |
| (5) | 996 423 279 04 | accelerator cable                              | /LL     | 1   | M 249              |



|       |      |    |    |              |              |        |       |            |         |     |         |
|-------|------|----|----|--------------|--------------|--------|-------|------------|---------|-----|---------|
| Model | Year | MG | SG | Illustration | Restrictions | Update | 11:31 | 25.11.2005 | PORSCHE | PET | PORSCHE |
| 996   | 05   | 7  | 02 | 702-10       |              | 194    |       |            |         |     |         |

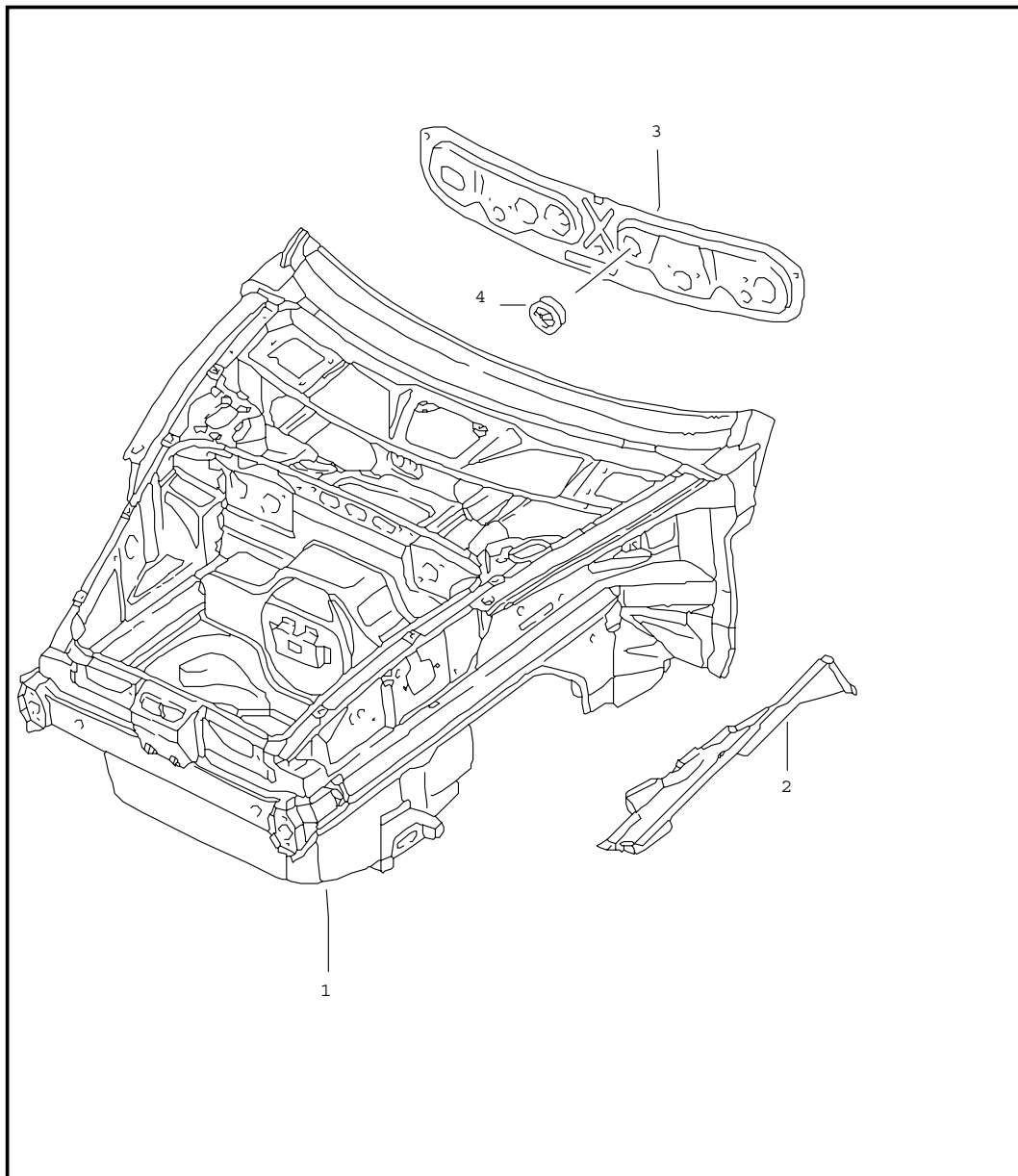
| Pos | Part Number    | Name                           | Remarks           | Qty    | Model     | Pos | Part Number | Name | Remarks | Qty | Model |
|-----|----------------|--------------------------------|-------------------|--------|-----------|-----|-------------|------|---------|-----|-------|
| (5) | 996 423 280 04 | accelerator cable              | /RL               | 1      | M 249     |     |             |      |         |     |       |
| 6   | 999 507 617 40 | hose holder                    |                   | 1      |           |     |             |      |         |     |       |
| 7   | 999 507 605 40 | hose holder                    |                   | 1      |           |     |             |      |         |     |       |
| 8   | 999 507 604 40 | hose holder                    |                   | 1      |           |     |             |      |         |     |       |
| 9   | 999 591 928 40 | hose holder<br>fuel line       | /LL               | 1      |           |     |             |      |         |     |       |
| (9) | 999 507 539 40 | hose holder<br>clutch pipeline | /LL               | 1      | M 480     |     |             |      |         |     |       |
| 10  | 996 606 115 00 | gas pedal sensor               | 99<br>00-         | 1<br>1 | M 620/339 |     |             |      |         |     |       |
| 11  | 996 423 389 01 | support                        | 99<br>00-         | 1<br>1 | M 620/339 |     |             |      |         |     |       |
| 12  | 900 377 010 09 | hexagon nut<br>M 6             | 99<br>00-         | 5<br>5 | M 620/339 |     |             |      |         |     |       |
| 13  | 996 423 394 00 | support                        | /RL 99<br>/RL 00- | 1<br>1 | M 620/339 |     |             |      |         |     |       |
| 14  | 900 146 157 09 | round head screw<br>M 5 X 55   |                   | 1      |           |     |             |      |         |     |       |
|     |                | - - - E N D - - -              |                   |        |           |     |             |      |         |     |       |

|       |      |    |    |              |              |        |       |            |         |     |         |
|-------|------|----|----|--------------|--------------|--------|-------|------------|---------|-----|---------|
| Model | Year | MG | SG | Illustration | Restrictions | Update | 11:31 | 25.11.2005 | PORSCHE | PET | PORSCHE |
| 996   | 05   | 8  | 01 | 801-00       |              | 194    |       |            |         |     |         |



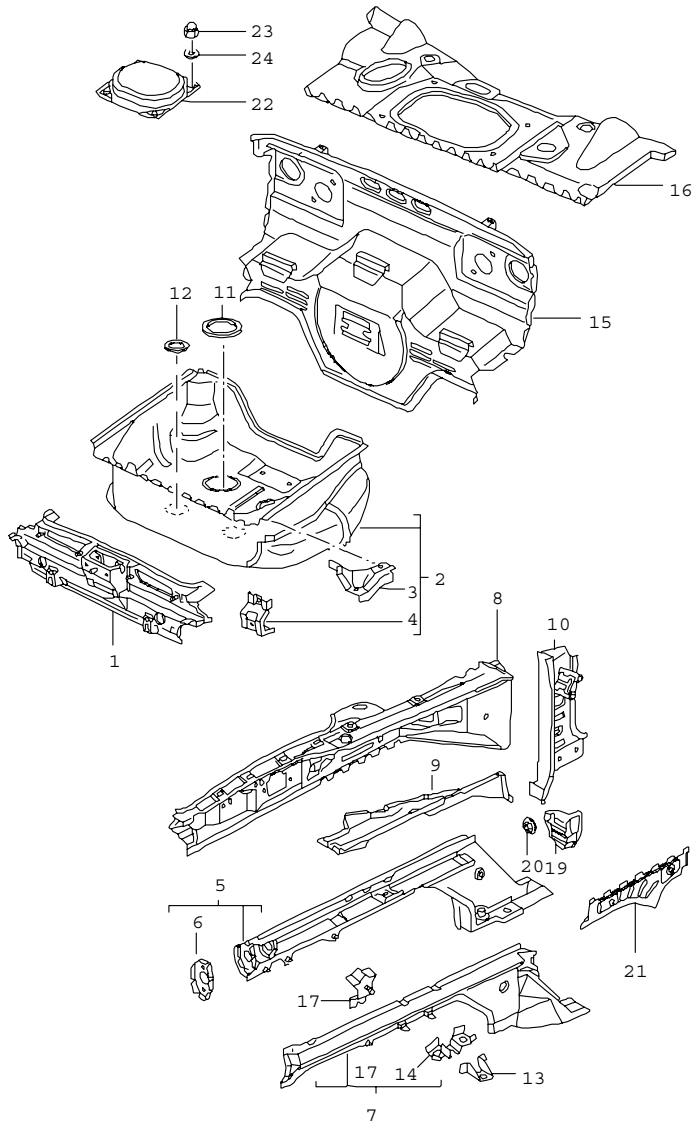
| Pos | Part Number    | Name   | Remarks | Qty | Model |
|-----|----------------|--|---------|-----|-------|
|     |                | body in white  |         |     |       |
|     |                | prime coated<br>sealed<br>with<br>underbody protection<br>with<br>doors/lids/wings   |         |     |       |
|     |                | bodyshells can only<br>be delivered of the<br>current model year   |         |     |       |
|     |                | the data (b-f) that you<br>need for your order<br>please find in the data<br>vehicle data bank<br>please indicate this data<br>in your order |         |     |       |
| A   | -              | data bank of the car   |         |     |       |
| B   | -              | vehicle identification no.   |         |     |       |
| C   | -              | order type   |         |     |       |
| D   | -              | country equipment  |         |     |       |
| E   | -              | optional extras  |         |     |       |
| F   | -              | additional applications  |         |     |       |
| 1   | 996 500 900 00 | body in white  |         | 1   |       |
|     | GRV            | prime coated   |         |     |       |
|     |                | - - - E N D - - -  |         |     |       |

|       |      |    |    |              |              |        |       |            |         |     |         |
|-------|------|----|----|--------------|--------------|--------|-------|------------|---------|-----|---------|
| Model | Year | MG | SG | Illustration | Restrictions | Update | 11:31 | 25.11.2005 | PORSCHE | PET | PORSCHE |
| 996   | 05   | 8  | 01 | 801-05       |              | 194    |       |            |         |     |         |



| Pos   | Part Number    | Name               | Remarks | Qty | Model |
|-------|----------------|--------------------|---------|-----|-------|
| 1     | 996 501 911 00 | body front section |         | 1   | M 338 |
|       | GRV            | prime coated       |         |     |       |
| (1)   | 996 501 911 01 | body front section | /LL     | 1   | M 339 |
|       | GRV            | prime coated       |         |     |       |
| (1)   | 996 501 911 03 | body front section | /RL     | 1   | M 339 |
|       | GRV            | prime coated       |         |     |       |
|       |                | use also:          |         |     |       |
| 2     | 996 501 443 00 | bottom half        | /L -01  | 1   |       |
|       | GRV            | prime coated       |         |     |       |
| (2)   | 996 501 444 01 | bottom half        | /R -01  | 1   |       |
|       | GRV            | prime coated       |         |     |       |
| (2)   | 996 501 443 01 | bottom half        | /L 02-  | 1   |       |
|       | GRV            | prime coated       |         |     |       |
| (2)   | 996 501 444 02 | bottom half        | /R 02-  | 1   |       |
|       | GRV            | prime coated       |         |     |       |
| 3 A   | 996 504 121 00 | cover              | /LL     | 1   |       |
|       | F              | >>99YS6 00595      |         |     |       |
|       | F              | >>99YS6 40393      |         |     |       |
| (3)   | 996 504 121 02 | cover              | /LL     | 1   |       |
|       |                | use also:          |         |     |       |
| --    | 000 043 300 94 | adhesive set       |         | 1   |       |
| (3) A | 996 504 121 01 | cover              | /RL     | 1   |       |
|       | F              | >>99YS6 00595      |         |     |       |
|       | F              | >>99YS6 40393      |         |     |       |
| (3)   | 996 504 121 03 | cover              | /RL     | 1   |       |
|       |                | use also:          |         |     |       |
| --    | 000 043 300 94 | adhesive set       |         | 1   |       |
| 4     | 999 702 255 40 | cover              |         | 1   |       |
|       |                | 61,5 X 72,6        |         |     |       |
|       |                | - - - E N D - - -  |         |     |       |

|       |      |    |    |              |              |        |       |            |         |     |         |
|-------|------|----|----|--------------|--------------|--------|-------|------------|---------|-----|---------|
| Model | Year | MG | SG | Illustration | Restrictions | Update | 11:32 | 25.11.2005 | PORSCHE | PET | PORSCHE |
| 996   | 05   | 8  | 01 | 801-10       |              | 194    |       |            |         |     |         |



| Pos   | Part Number    | Name                                       | Remarks | Qty | Model |
|-------|----------------|--|---------|-----|-------|
|       |                | body front section<br>single parts         |         |     |       |
| 1     | 996 501 231 01 | terminal piece                             | -01     | 1   |       |
|       | GRV            | prime coated                               |         |     |       |
| 1     | 996 501 231 02 | terminal piece                             | 02-     | 1   |       |
|       | GRV            | prime coated                               |         |     |       |
| 2     | 996 501 979 00 | spare-wheel well                           |         | 1   | M 338 |
|       | GRV            | prime coated                               |         |     |       |
| (2)   | 996 501 979 01 | spare-wheel well                           | 99-     | 1   | M 339 |
|       | GRV            | prime coated                               |         |     |       |
| -     | 996 501 473 00 | support                                    | 99      | 2   | M 339 |
|       | GRV            | prime coated<br>for<br>control unit<br>PSM |         |     |       |
| 3     | 996 501 649 00 | corner panel                               | /L      | 1   |       |
|       | GRV            | prime coated                               |         |     |       |
| (3)   | 996 501 650 00 | corner panel                               | /R      | 1   |       |
|       | GRV            | prime coated                               |         |     |       |
| 4     | 996 501 621 00 | support                                    |         | 3   |       |
|       | GRV            | prime coated                               |         |     |       |
| 5     | 996 501 305 04 | side member                                | /L -01  | 1   |       |
|       | GRV            | prime coated                               |         |     |       |
| (5)   | 996 501 306 04 | side member                                | /R -01  | 1   |       |
|       | GRV            | prime coated                               |         |     |       |
| (5)   | 996 501 305 05 | side member                                | /L 02   | 1   |       |
|       | GRV            | prime coated                               |         |     |       |
| (5) A | 996 501 306 05 | side member                                | /R 02   | 1   |       |
|       | GRV            | prime coated                               |         |     |       |
| (5)   | 996 501 305 06 | side member                                | /L 03-  | 1   |       |
|       | GRV            | prime coated                               |         |     |       |

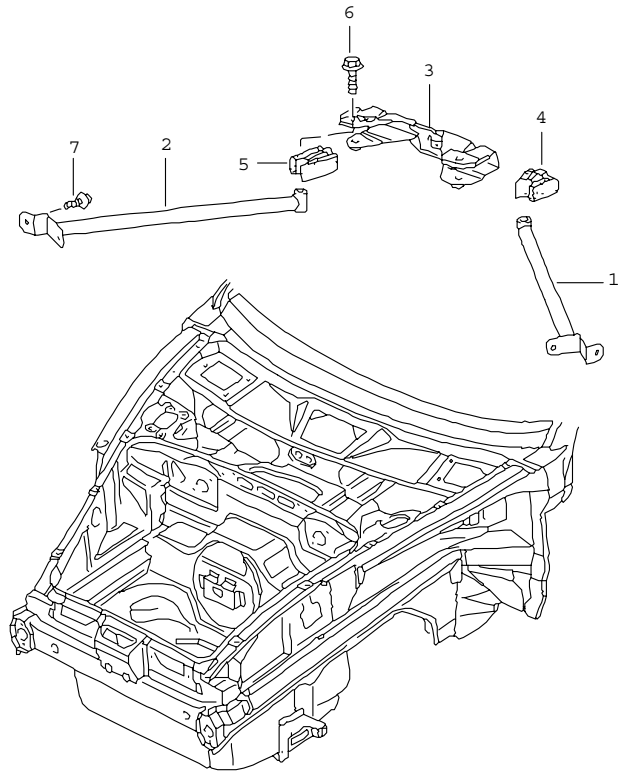
|       |      |    |    |              |              |        |       |            |         |     |         |
|-------|------|----|----|--------------|--------------|--------|-------|------------|---------|-----|---------|
| Model | Year | MG | SG | Illustration | Restrictions | Update | 11:32 | 25.11.2005 | PORSCHE | PET | PORSCHE |
| 996   | 05   | 8  | 01 | 801-10       |              | 194    |       |            |         |     |         |

| Pos | Part Number    | Name                      | Remarks | Qty | Model | Pos    | Part Number    | Name               | Remarks | Qty | Model |
|-----|----------------|---------------------------|---------|-----|-------|--------|----------------|--------------------|---------|-----|-------|
| (5) | 996 501 306 06 | side member               | /R      | 1   |       | 10     | 996 501 937 01 | hinge pillar       | /L      | 1   |       |
|     | GRV            | prime coated              |         |     |       |        | GRV            | prime coated       |         |     |       |
| 6   | 996 501 377 01 | mounting                  |         | 2   |       | (10)   | 996 501 938 01 | hinge pillar       | /R      | 1   |       |
|     | GRV            | prime coated              |         |     |       |        | GRV            | prime coated       |         |     |       |
| 7   | 996 501 915 00 | side member               | /L      | 1   |       | 11     | 996 504 201 01 | cover<br>\$ 145 MM |         | 2   |       |
|     | GRV            | prime coated              |         |     |       | 12     | 996 504 213 01 | cover<br>\$ 85 MM  |         | 2   |       |
|     | F              | >>99WS6 06999             |         |     |       | 13     | 996 501 815 00 | support            |         | 2   |       |
|     | F              | >>99WS6 40804             |         |     |       |        | GRV            | prime coated       |         |     |       |
|     |                | it is necessary to rework |         |     |       |        | F              | >>99WS6 06999      |         |     |       |
|     |                | use also:                 |         |     |       |        | F              | >>99WS6 40804      |         |     |       |
|     |                | POS.13                    |         |     |       |        |                |                    |         |     |       |
| (7) | 996 501 916 00 | side member               | /R      | 1   |       | 14     | 996 501 815 02 | support            |         | 2   |       |
|     | GRV            | prime coated              |         |     |       |        | GRV            | prime coated       |         |     |       |
|     | F              | >>99WS6 06999             |         |     |       |        | F              | 99WS6 07000>>      |         |     |       |
|     | F              | >>99WS6 40804             |         |     |       |        | F              | 99WS6 40805>>      |         |     |       |
|     |                | it is necessary to rework |         |     |       |        |                |                    |         |     |       |
|     |                | use also:                 |         |     |       |        |                |                    |         |     |       |
|     |                | POS.13                    |         |     |       |        |                |                    |         |     |       |
| 8   | 996 501 935 00 | wheel housing             | /L -01  | 1   |       | 15     | 996 502 021 03 | bulkhead           |         | 1   | M 338 |
|     | GRV            | prime coated              |         |     |       |        | GRV            | prime coated       |         |     |       |
| (8) | 996 501 936 01 | wheel housing             | /R -01  | 1   |       | (15) A | 996 502 021 04 | bulkhead           | /LL     | 1   | M 339 |
|     | GRV            | prime coated              |         |     |       |        | GRV            | prime coated       |         |     |       |
| (8) | 996 501 935 01 | wheel housing             | /L 02-  | 1   |       | (15)   | 996 502 015 02 | bulkhead           | /LL     | 1   | M 339 |
|     | GRV            | prime coated              |         |     |       |        | GRV            | prime coated       |         |     |       |
| (8) | 996 501 936 02 | wheel housing             | /R 02-  | 1   |       | (15)   | 996 502 021 05 | bulkhead           | /RL -01 | 1   | M 339 |
|     | GRV            | prime coated              |         |     |       |        | GRV            | prime coated       |         |     |       |
| 9   | 996 501 443 00 | bottom half               | /L -00  | 1   |       | (15)   | 996 502 015 03 | bulkhead           | /RL 02- | 1   | M 339 |
|     | GRV            | prime coated              |         |     |       |        | GRV            | prime coated       |         |     |       |
| (9) | 996 501 444 01 | bottom half               | /R -00  | 1   |       | 16     | 996 502 017 01 | cross panel        | -99     | 1   | M 338 |
|     | GRV            | prime coated              |         |     |       |        | GRV            | prime coated       |         |     |       |
| (9) | 996 501 443 01 | bottom half               | /L 01-  | 1   |       | 16     | 996 502 017 04 | cross panel        | 00-     | 1   | M 338 |
|     | GRV            | prime coated              |         |     |       |        | GRV            | prime coated       |         |     |       |
| (9) | 996 501 444 02 | bottom half               | /R 01-  | 1   |       | (16)   | 996 502 017 03 | cross panel        | -01     | 1   | M 339 |
|     | GRV            | prime coated              |         |     |       |        | GRV            | prime coated       |         |     |       |

|       |      |    |    |              |              |        |       |            |         |     |         |
|-------|------|----|----|--------------|--------------|--------|-------|------------|---------|-----|---------|
| Model | Year | MG | SG | Illustration | Restrictions | Update | 11:32 | 25.11.2005 | PORSCHE | PET | PORSCHE |
| 996   | 05   | 8  | 01 | 801-10       |              | 194    |       |            |         |     |         |

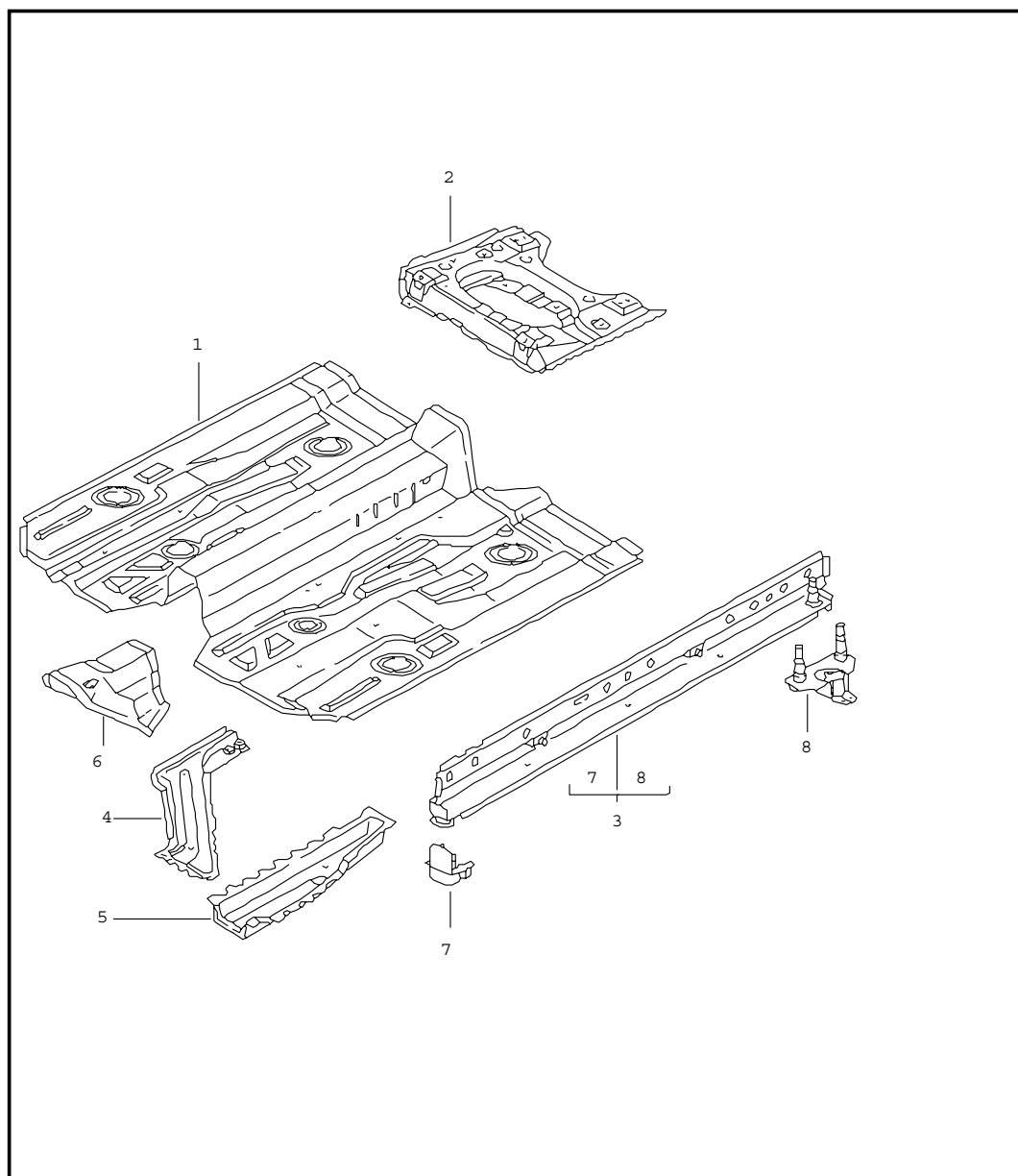
| Pos  | Part Number    | Name                        | Remarks | Qty | Model | Pos | Part Number | Name | Remarks | Qty | Model |
|------|----------------|-----------------------------|---------|-----|-------|-----|-------------|------|---------|-----|-------|
| (16) | 996 502 017 05 | cross panel                 | 02-     | 1   | M 339 |     |             |      |         |     |       |
|      | GRV            | prime coated                |         |     |       |     |             |      |         |     |       |
| -    | 996 504 665 00 | cover                       | /LL     | 1   | M 339 |     |             |      |         |     |       |
| -    | 996 504 665 01 | cover<br>bulkhead           | /RL     | 1   | M 339 |     |             |      |         |     |       |
| 17   | 996 501 341 00 | support                     |         | 2   |       |     |             |      |         |     |       |
|      | GRV            | prime coated                |         |     |       |     |             |      |         |     |       |
| 19   | 996 504 461 00 | cover                       | /L      | 1   |       |     |             |      |         |     |       |
| (19) | 996 504 462 00 | cover                       | /R      | 1   |       |     |             |      |         |     |       |
| 20   | 999 084 629 09 | hexagon nut<br>M 6          |         | 6   |       |     |             |      |         |     |       |
| -    | 996 504 761 01 | seal                        | /L      | 1   |       |     |             |      |         |     |       |
| -    | 996 504 762 01 | seal                        | /R      | 1   |       |     |             |      |         |     |       |
| -    | 999 507 760 40 | expansion rivet<br>6,5 X 20 |         | 4   |       |     |             |      |         |     |       |
| 21   | 996 501 665 00 | separator                   | /L      | 1   |       |     |             |      |         |     |       |
|      | GRV            | prime coated                |         |     |       |     |             |      |         |     |       |
| (21) | 996 501 666 00 | separator                   | /R      | 1   |       |     |             |      |         |     |       |
|      | GRV            | prime coated                |         |     |       |     |             |      |         |     |       |
| 22   | 996 504 471 00 | cover                       |         | 1   | M 339 |     |             |      |         |     |       |
|      | 01C            | satin black<br>bulkhead     |         |     |       |     |             |      |         |     |       |
| 23   | 900 096 006 01 | cap nut<br>M 6              |         | 4   | M 339 |     |             |      |         |     |       |
| 24   | N 011 524 7    | washer<br>A 6,4             |         | 4   | M 339 |     |             |      |         |     |       |
|      |                | - - - E N D - - -           |         |     |       |     |             |      |         |     |       |

|       |      |    |    |              |              |        |       |            |         |     |         |
|-------|------|----|----|--------------|--------------|--------|-------|------------|---------|-----|---------|
| Model | Year | MG | SG | Illustration | Restrictions | Update | 11:32 | 25.11.2005 | PORSCHE | PET | PORSCHE |
| 996   | 05   | 8  | 01 | 801-15       |              | 194    |       |            |         |     |         |



| Pos               | Part Number      | Name                            | Remarks | Qty | Model |
|-------------------|------------------|---------------------------------|---------|-----|-------|
|                   |                  | dome strut                      |         |     |       |
| 1                 | A 996 504 233 00 | dome strut                      | /L -02  | 1   |       |
| 1                 | 996 504 233 01   | dome strut                      | /L      | 1   |       |
| 2                 | A 996 504 234 00 | dome strut                      | /R -02  | 1   |       |
| 2                 | 996 504 234 01   | dome strut                      | /R      | 1   |       |
| 3                 | 996 504 359 00   | bracket                         |         | 1   |       |
| 4                 | 996 504 633 00   | filler piece                    | /L      | 1   |       |
| 5                 | 996 504 634 00   | filler piece                    | /R      | 1   |       |
| 6                 | 900 378 100 09   | hexagon-head bolt<br>AM 10 X 45 |         | 2   |       |
| 7                 | 900 075 010 09   | screw<br>M 6 X 12               |         | 4   |       |
| - - - E N D - - - |                  |                                 |         |     |       |

|       |      |    |    |              |              |        |       |            |         |     |         |
|-------|------|----|----|--------------|--------------|--------|-------|------------|---------|-----|---------|
| Model | Year | MG | SG | Illustration | Restrictions | Update | 11:32 | 25.11.2005 | PORSCHE | PET | PORSCHE |
| 996   | 05   | 8  | 01 | 801-20       |              | 194    |       |            |         |     |         |



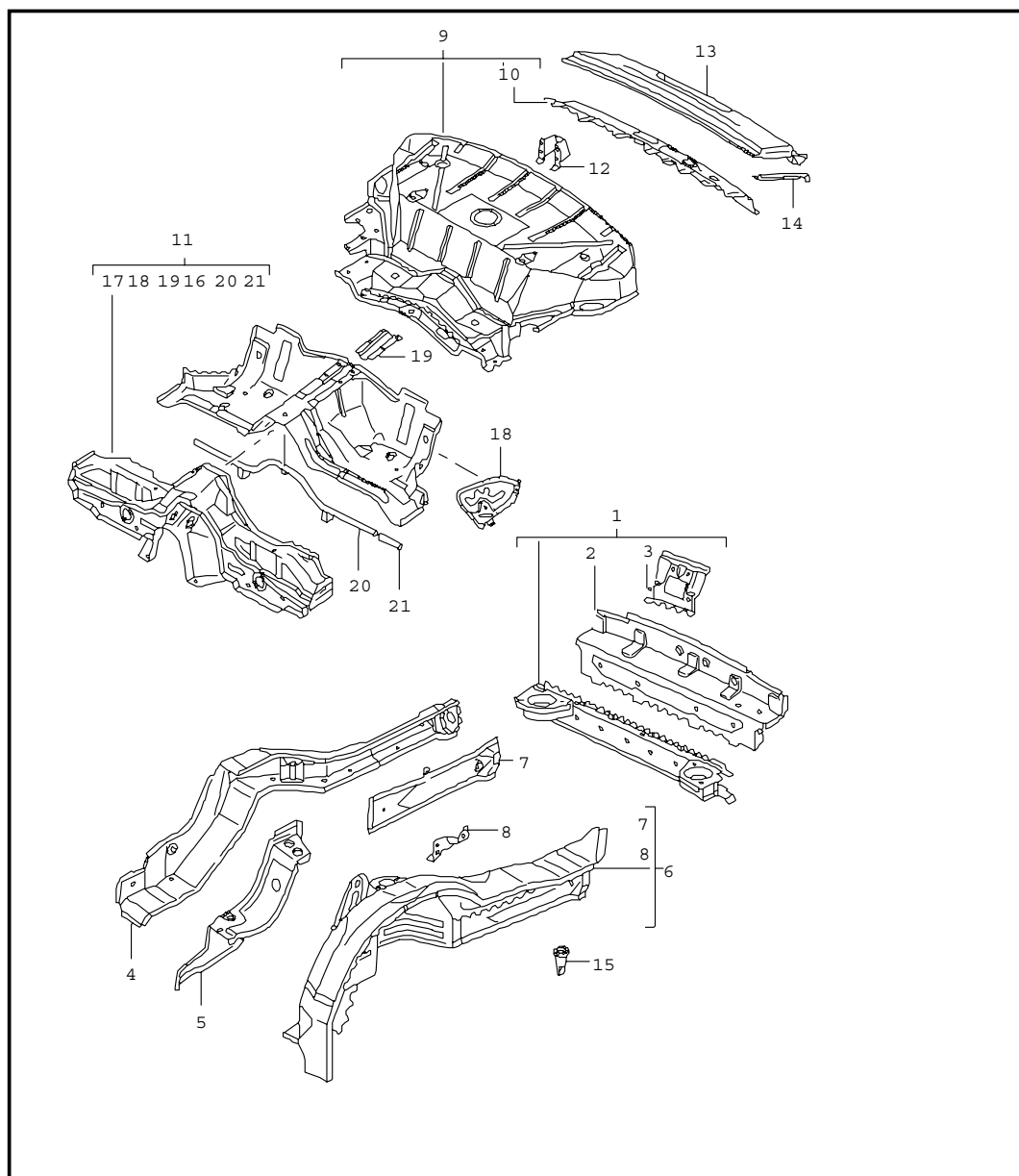
| Pos | Part Number    | Name            | Remarks | Qty | Model |
|-----|----------------|-----------------|---------|-----|-------|
|     |                | floor<br>centre |         |     |       |
| 1   | 996 501 551 00 | floor           |         | 1   |       |
|     | GRV            | prime coated    |         |     |       |
| 2   | 996 501 153 00 | seat support    | /L      | 1   |       |
|     | GRV            | prime coated    |         |     |       |
| (2) | 996 501 154 00 | seat support    | /R      | 1   |       |
|     | GRV            | prime coated    |         |     |       |
| 3   | 996 501 957 00 | side member     | /L -01  | 1   |       |
|     | GRV            | prime coated    |         |     |       |
| (3) | 996 501 957 01 | side member     | /L -02  | 1   |       |
|     | GRV            | prime coated    |         |     |       |
| (3) | 996 501 957 03 | side member     | /L 03-  | 1   |       |
|     | GRV            | prime coated    |         |     |       |
| (3) | 996 501 958 01 | side member     | /R -01  | 1   |       |
|     | GRV            | prime coated    |         |     |       |
| (3) | 996 501 958 02 | side member     | /R -02  | 1   |       |
|     | GRV            | prime coated    |         |     |       |
| (3) | 996 501 958 04 | side member     | /R 03-  | 1   |       |
|     | GRV            | prime coated    |         |     |       |
| 4   | 996 501 507 02 | reinforcement   | /L      | 1   |       |
|     | GRV            | prime coated    |         |     |       |
| (4) | 996 501 508 02 | reinforcement   | /R      | 1   |       |
|     | GRV            | prime coated    |         |     |       |
| 5   | 996 501 525 00 | side member     | /L      | 1   |       |
|     | GRV            | prime coated    |         |     |       |
| (5) | 996 501 526 00 | side member     | /R      | 1   |       |
|     | GRV            | prime coated    |         |     |       |
| 6   | 996 501 751 00 | extension       |         | 1   |       |
|     | GRV            | prime coated    |         |     |       |



|       |      |    |    |              |              |        |       |            |         |     |         |
|-------|------|----|----|--------------|--------------|--------|-------|------------|---------|-----|---------|
| Model | Year | MG | SG | Illustration | Restrictions | Update | 11:32 | 25.11.2005 | PORSCHE | PET | PORSCHE |
| 996   | 05   | 8  | 01 | 801-20       |              | 194    |       |            |         |     |         |

| Pos | Part Number    | Name              | Remarks | Qty | Model | Pos | Part Number | Name | Remarks | Qty | Model |
|-----|----------------|-------------------|---------|-----|-------|-----|-------------|------|---------|-----|-------|
| 7   | 996 501 785 00 | jacking point     | /L/V    | 1   |       |     |             |      |         |     |       |
|     | GRV            | prime coated      |         |     |       |     |             |      |         |     |       |
| (7) | 996 501 786 00 | jacking point     | /R/V    | 1   |       |     |             |      |         |     |       |
|     | GRV            | prime coated      |         |     |       |     |             |      |         |     |       |
| 8   | 996 501 481 01 | jacking point     | /L/H    | 1   |       |     |             |      |         |     |       |
|     | GRV            | prime coated      |         |     |       |     |             |      |         |     |       |
| (8) | 996 501 482 01 | jacking point     | /R/H    | 1   |       |     |             |      |         |     |       |
|     | GRV            | prime coated      |         |     |       |     |             |      |         |     |       |
| -   | 996 504 201 01 | cover             |         | X   |       |     |             |      |         |     |       |
|     |                | \$ 145 MM         |         |     |       |     |             |      |         |     |       |
| -   | 996 504 205 01 | cover             |         | X   |       |     |             |      |         |     |       |
|     |                | \$ 130 MM         |         |     |       |     |             |      |         |     |       |
| -   | 996 504 207 01 | cover             |         | X   |       |     |             |      |         |     |       |
|     |                | \$ 100 MM         |         |     |       |     |             |      |         |     |       |
|     |                | - - - E N D - - - |         |     |       |     |             |      |         |     |       |

|       |      |    |    |              |              |        |       |            |         |     |         |
|-------|------|----|----|--------------|--------------|--------|-------|------------|---------|-----|---------|
| Model | Year | MG | SG | Illustration | Restrictions | Update | 11:32 | 25.11.2005 | PORSCHE | PET | PORSCHE |
| 996   | 05   | 8  | 01 | 801-35       |              | 194    |       |            |         |     |         |



| Pos   | Part Number    | Name   | Remarks | Qty | Model  |
|-------|----------------|--|---------|-----|--------|
|       |                | rear end   |         |     |        |
| 1     | 996 501 973 00 | terminal piece   |         | 1   |        |
|       | GRV            | prime coated   |         |     |        |
| 2 A   | 996 501 273 01 | end plate  | -01     | 1   |        |
|       | GRV            | prime coated<br>see tpi<br>group 8<br>Nr.51                      |         |     |        |
| 2     | 996 501 273 02 | end plate  |         | 1   |        |
|       | GRV            | prime coated<br>see tpi<br>group 8<br>Nr.51                      |         |     |        |
| 3     | 996 501 247 00 | lock carrier   |         | 1   |        |
|       | GRV            | prime coated<br>F >>99WS6 00563                                  |         |     |        |
| 3     | 996 501 247 01 | lock carrier   |         | 1   |        |
|       | GRV            | prime coated<br>F 99WS6 00564>>                                  |         |     |        |
| 4     | 996 501 977 00 | side member  | /L      | 1   |        |
|       | GRV            | prime coated   |         |     |        |
| (4)   | 996 501 978 00 | side member  | /R      | 1   |        |
|       | GRV            | prime coated   |         |     |        |
| 5     | 996 501 933 00 | side member  | /L      | 1   |        |
|       | GRV            | prime coated<br>outer  |         |     |        |
| (5)   | 996 501 934 00 | side member  | /R      | 1   |        |
|       | GRV            | prime coated<br>outer  |         |     |        |
| 6     | 996 501 943 00 | wheel housing  | /L      | 1   |        |
|       | GRV            | prime coated<br>it is necessary to rework<br>see workshop manual |         |     | CABRIO |
| (6) A | 996 501 184 00 | wheel housing  | /R      | 1   |        |

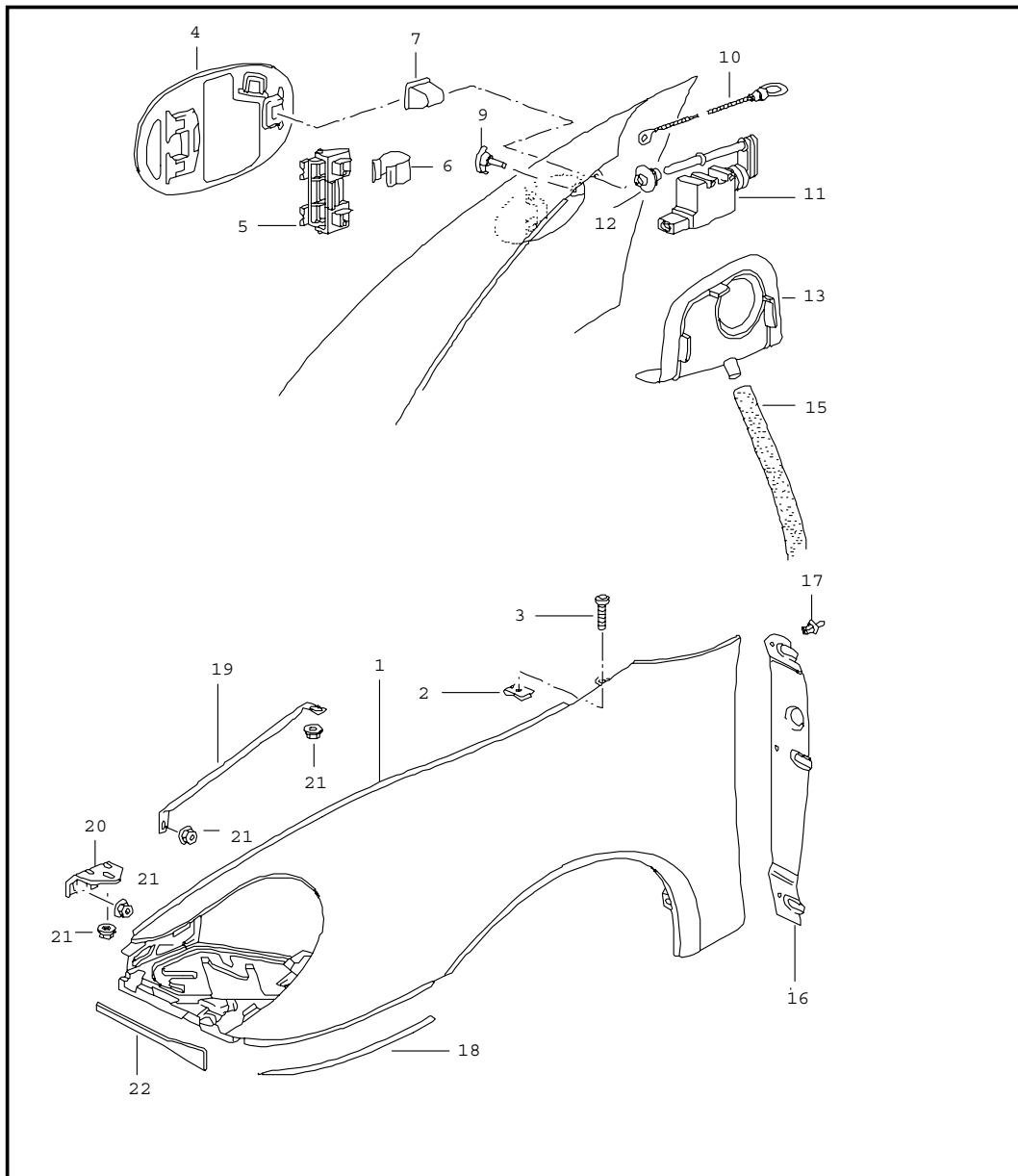
|       |      |    |    |              |              |        |       |            |         |     |         |
|-------|------|----|----|--------------|--------------|--------|-------|------------|---------|-----|---------|
| Model | Year | MG | SG | Illustration | Restrictions | Update | 11:32 | 25.11.2005 | PORSCHE | PET | PORSCHE |
| 996   | 05   | 8  | 01 | 801-35       |              | 194    |       |            |         |     |         |

| Pos  | Part Number      | Name   | Remarks | Qty | Model      | Pos  | Part Number    | Name                                       | Remarks | Qty | Model        |
|------|------------------|--|---------|-----|------------|------|----------------|--|---------|-----|--------------|
|      |                  | GRV prime coated<br>it is necessary to rework<br>see workshop manual |         |     | CABRIO     |      |                | GRV prime coated<br>upper part             |         |     |              |
| (6)  | 996 501 944 00   | wheel housing  | /R      | 1   |            | (10) | 996 502 561 01 | cross member                               |         | 1   | C4S CABRIO   |
|      |                  | GRV prime coated<br>it is necessary to rework<br>see workshop manual |         |     | CABRIO     |      |                | GRV prime coated<br>upper part             |         |     |              |
| 7    | A 996 501 595 00 | side member  | /L -99  | 1   |            | 11   | 996 501 949 00 | seat well                                  | -01     | 1   |              |
|      |                  | GRV prime coated   |         |     |            | (11) | 996 501 049 03 | seat well                                  | 02-     | 1   |              |
| 7    | 996 501 595 01   | side member  | /L      | 1   |            |      |                | GRV prime coated                           |         |     |              |
|      |                  | GRV prime coated   |         |     |            | 12   | 996 502 525 00 | bracket                                    |         | 1   | CABRIO       |
| (7)  | A 996 501 596 00 | side member  | /R -99  | 1   |            |      |                | GRV prime coated                           |         |     |              |
|      |                  | GRV prime coated   |         |     |            | 13   | 996 503 211 00 | rear centre panel                          |         | 1   | COUPE        |
| (7)  | 996 501 596 01   | side member  | /R      | 1   |            |      |                | GRV prime coated                           |         |     |              |
|      |                  | GRV prime coated   |         |     |            | (13) | 996 503 211 01 | rear centre panel                          |         | 1   | COUPE, M 425 |
| 8    | 996 501 571 00   | bracket  | /L      | 1   | CABRIO     |      |                | GRV prime coated                           |         |     |              |
|      |                  | GRV prime coated   |         |     |            | (13) | 996 503 211 04 | rear centre panel                          |         | 1   | C4S          |
| (8)  | 996 501 572 00   | bracket  | /R      | 1   | CABRIO     |      |                | GRV prime coated                           |         |     |              |
|      |                  | GRV prime coated   |         |     |            | (13) | 996 503 211 03 | rear centre panel                          |         | 1   | C4S M425     |
| 9    | 996 502 911 00   | rear wall  |         | 1   |            |      |                | GRV prime coated                           |         |     |              |
|      |                  | GRV prime coated<br>order also:<br>POS. 12<br>see workshop manual    |         |     | CABRIO     | 14   | 996 545 549 00 | pipng                                      | /L      | 1   | COUPE        |
|      |                  |  |         |     |            | 14   | 996 545 549 02 | pipng                                      | /L      | 1   | TARGA        |
| 10   | 996 502 673 00   | cross member   |         | 1   | COUPE      | 14   | 996 545 549 03 | pipng                                      | /L 02-  | 1   | C4S          |
|      |                  | GRV prime coated   |         |     |            | (14) | 996 545 550 00 | pipng                                      | /R      | 1   | COUPE        |
| 10   | 996 502 673 03   | cross member   |         | 1   | C4S COUPE  | (14) | 996 545 550 02 | pipng                                      | /R      | 1   | TARGA        |
|      |                  | GRV prime coated   |         |     |            | (14) | 996 545 550 03 | pipng                                      | /R 02-  | 1   | C4S          |
| (10) | 996 502 673 01   | cross member   |         | 1   | CABRIO     | 15   | 996 561 825 00 | water drain valve<br>wheel housing<br>rear |         | 2   |              |
|      |                  | GRV prime coated   |         |     |            | 16   | 996 501 549 03 | seat well                                  |         | 1   |              |
| (10) | 996 502 673 07   | cross member   |         | 1   | C4S CABRIO |      |                | GRV prime coated                           |         |     |              |
|      |                  | GRV prime coated   |         |     |            | 17   | 996 501 155 02 | cross member                               |         | 1   |              |
| (10) | 996 502 561 00   | cross member   |         | 1   | CABRIO     |      |                |  |         |     |              |

|       |      |    |    |              |              |        |       |            |         |     |         |
|-------|------|----|----|--------------|--------------|--------|-------|------------|---------|-----|---------|
| Model | Year | MG | SG | Illustration | Restrictions | Update | 11:32 | 25.11.2005 | PORSCHE | PET | PORSCHE |
| 996   | 05   | 8  | 01 | 801-35       |              | 194    |       |            |         |     |         |

| Pos  | Part Number    | Name              | Remarks | Qty | Model | Pos | Part Number | Name | Remarks | Qty | Model |
|------|----------------|-------------------|---------|-----|-------|-----|-------------|------|---------|-----|-------|
|      |                | GRV prime coated  |         |     |       |     |             |      |         |     |       |
| 18   | 996 501 461 02 | reinforcement     | /L      | 1   |       |     |             |      |         |     |       |
|      |                | GRV prime coated  |         |     |       |     |             |      |         |     |       |
| (18) | 996 501 462 02 | reinforcement     | /R      | 1   |       |     |             |      |         |     |       |
|      |                | GRV prime coated  |         |     |       |     |             |      |         |     |       |
| 19   | 996 501 659 01 | bracket           |         | 1   |       |     |             |      |         |     |       |
|      |                | GRV prime coated  |         |     |       |     |             |      |         |     |       |
| 20   | 996 501 411 00 | pipe              |         | 1   |       |     |             |      |         |     |       |
|      |                | GRV prime coated  |         |     |       |     |             |      |         |     |       |
| 21   | 996 501 415 00 | sleeve            |         | 2   |       |     |             |      |         |     |       |
|      |                | GRV prime coated  |         |     |       |     |             |      |         |     |       |
|      |                | - - - E N D - - - |         |     |       |     |             |      |         |     |       |

|       |      |    |    |              |              |        |       |            |         |     |         |
|-------|------|----|----|--------------|--------------|--------|-------|------------|---------|-----|---------|
| Model | Year | MG | SG | Illustration | Restrictions | Update | 11:32 | 25.11.2005 | PORSCHE | PET | PORSCHE |
| 996   | 05   | 8  | 01 | 801-40       |              | 194    |       |            |         |     |         |

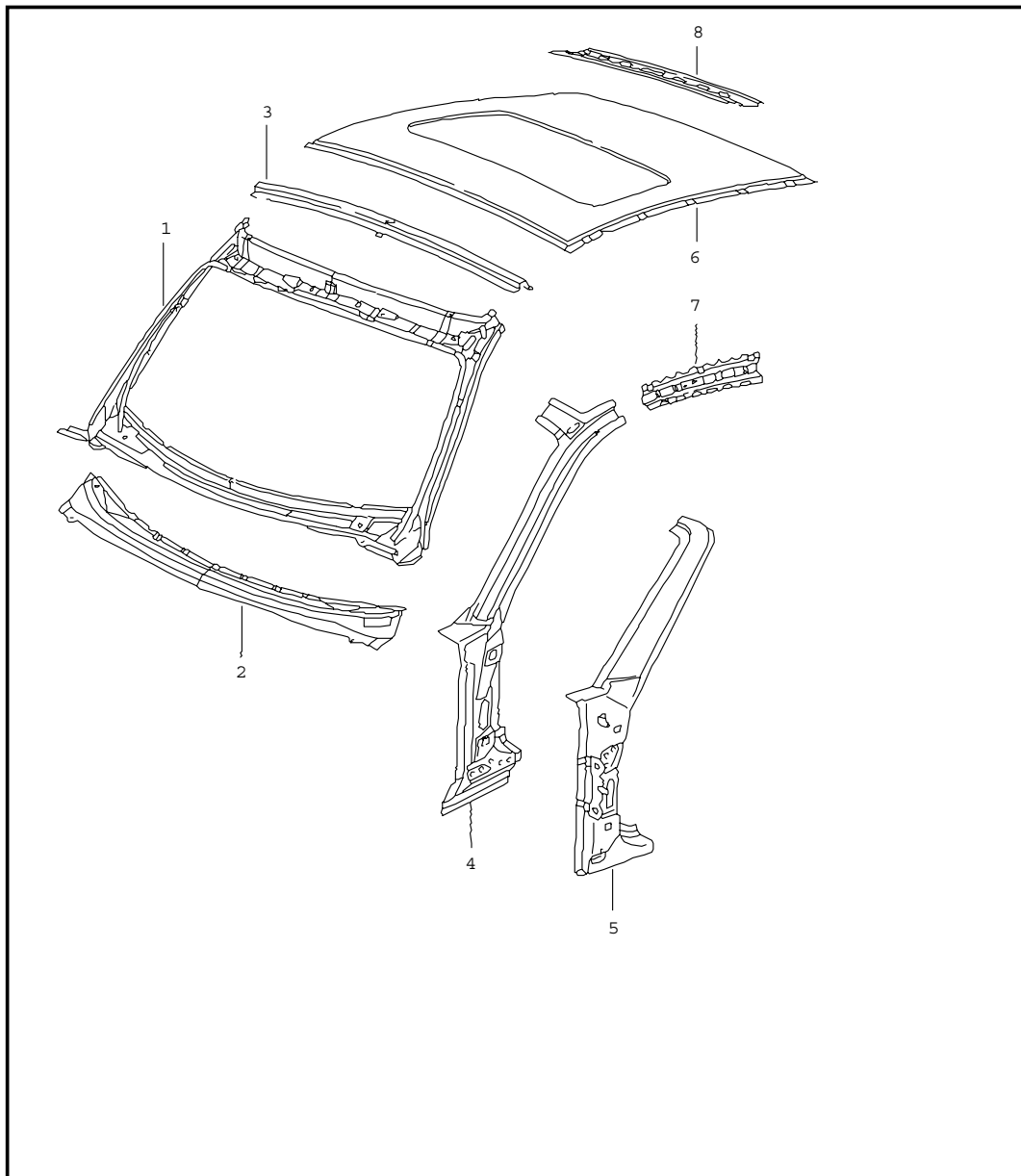


| Pos  | Part Number    | Name                         | Remarks | Qty | Model |
|------|----------------|------------------------------|---------|-----|-------|
| 1    | 996 503 031 01 | wing                         | /L -01  | 1   |       |
|      | GRV            | prime coated                 |         |     |       |
| (1)  | 996 503 032 04 | wing                         | /R -01  | 1   |       |
|      | GRV            | prime coated                 |         |     |       |
| (1)  | 996 503 031 03 | wing                         | /L 02-  | 1   |       |
|      | GRV            | prime coated                 |         |     |       |
| (1)  | 996 503 032 05 | wing                         | /R 02-  | 1   |       |
|      | GRV            | prime coated                 |         |     |       |
| 2    | 999 507 003 02 | speed nut<br>ST 6,3          |         | 22  |       |
| 3    | 999 073 128 02 | tapping screw<br>ST 6,3 X 14 |         | 22  |       |
| 4    | 996 504 133 02 | fuel filler flap             | -01     | 1   |       |
|      | GRV            | prime coated                 |         |     |       |
| 4    | 996 504 133 01 | fuel filler flap             | 02-     | 1   |       |
|      | GRV            | prime coated                 |         |     |       |
| 5    | 996 201 063 00 | hinge                        |         | 1   |       |
| 6    | 996 201 413 01 | spring                       |         | 1   |       |
| 7    | 996 201 423 00 | cap                          |         | 1   |       |
| 9    | 996 201 513 00 | rubber stop                  |         | 1   |       |
| 10   | 996 201 493 00 | emergency operation          |         | 1   |       |
| 11   | 996 624 113 00 | actuator                     |         | 1   |       |
| 12   | 996 624 505 02 | guide rose                   |         | 1   |       |
| 13   | 996 201 667 01 | sleeve                       |         | 1   |       |
| 15   | 996 201 153 00 | hose                         |         | 1   |       |
| 16   | 996 504 641 01 | cover                        | /L      | 1   |       |
|      | 01C            | black                        |         |     |       |
| (16) | 996 504 642 01 | cover                        | /R      | 1   |       |
|      | 01C            | black                        |         |     |       |

|       |      |    |    |              |              |        |       |            |         |     |         |
|-------|------|----|----|--------------|--------------|--------|-------|------------|---------|-----|---------|
| Model | Year | MG | SG | Illustration | Restrictions | Update | 11:32 | 25.11.2005 | PORSCHE | PET | PORSCHE |
| 996   | 05   | 8  | 01 | 801-40       |              | 194    |       |            |         |     |         |

| Pos  | Part Number    | Name                            | Remarks | Qty | Model | Pos | Part Number | Name | Remarks | Qty | Model |
|------|----------------|---------------------------------|---------|-----|-------|-----|-------------|------|---------|-----|-------|
| 17   | 999 591 712 40 | expansion rivet<br>A 6,0 X 12,0 |         | 6   |       |     |             |      |         |     |       |
| 18   | 996 504 531 00 | protective film                 | /L      | 1   |       |     |             |      |         |     |       |
| (18) | 996 504 532 00 | protective film                 | /R      | 1   |       |     |             |      |         |     |       |
| 19   | 996 504 441 00 | strut                           |         | 2   |       |     |             |      |         |     |       |
|      | GRV            | prime coated                    |         |     |       |     |             |      |         |     |       |
| 20   | 996 504 555 00 | support                         |         | 2   |       |     |             |      |         |     |       |
|      | GRV            | prime coated                    |         |     |       |     |             |      |         |     |       |
| 21   | 900 377 010 09 | nut<br>M 6                      |         | X   |       |     |             |      |         |     |       |
| 22   | 996 504 617 00 | protective film                 | 02-     | 2   |       |     |             |      |         |     |       |
|      |                | - - - E N D - - -               |         |     |       |     |             |      |         |     |       |

|       |      |    |    |              |              |        |       |            |         |     |         |
|-------|------|----|----|--------------|--------------|--------|-------|------------|---------|-----|---------|
| Model | Year | MG | SG | Illustration | Restrictions | Update | 11:32 | 25.11.2005 | PORSCHE | PET | PORSCHE |
| 996   | 05   | 8  | 01 | 801-45       |              | 194    |       |            |         |     |         |



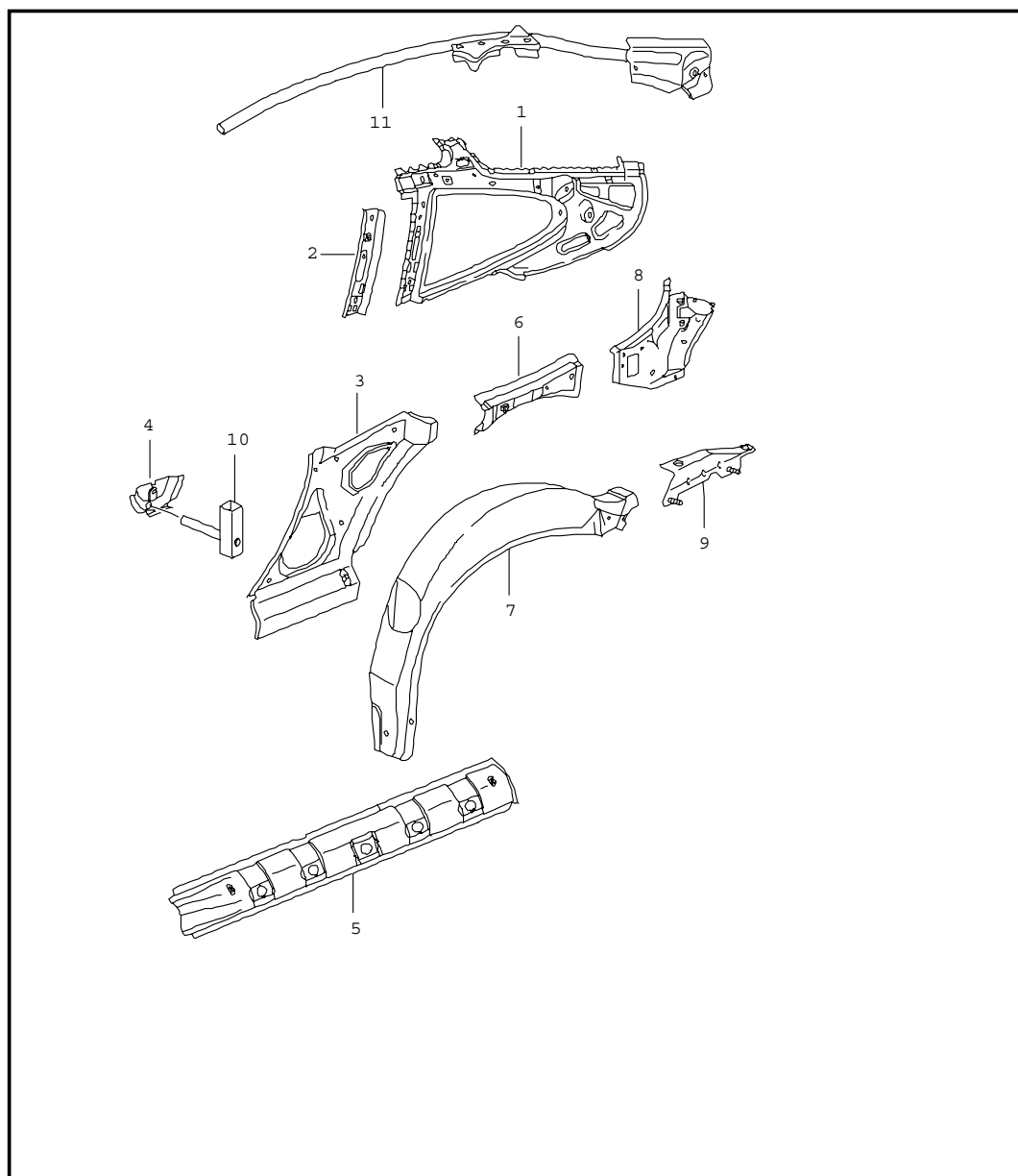
| Pos | Part Number      | Name  | Remarks | Qty | Model  |
|-----|------------------|---|---------|-----|--------|
| 1   | A 996 502 137 05 | cowl<br>cowl<br>see group<br>8/07/09<br>sun visor |         | 1   | COUPE  |
| 1   | 996 502 137 08   | cowl<br>see group<br>8/07/09<br>sun visor         |         | 1   | COUPE  |
| (1) | 996 502 137 04   | cowl<br>GRV prime coated<br>inner                 |         | 1   | CABRIO |
| (1) | 996 502 137 07   | cowl<br>GRV prime coated<br>inner                 |         | 1   | TARGA  |
| 2   | A 996 502 527 00 | cowl<br>GRV prime coated<br>outer                 |         | 1   |        |
| 2   | 996 502 527 01   | cowl<br>GRV prime coated<br>outer                 |         | 1   |        |
| 3   | 996 502 529 00   | cowl<br>GRV prime coated<br>outer                 |         | 1   | CABRIO |
| 3   | 996 502 529 01   | cowl<br>GRV prime coated<br>outer                 |         | 1   | TARGA  |
| 4   | 996 502 135 02   | reinforcement<br>GRV prime coated<br>inner        | /L      | 1   | COUPE  |
| (4) | 996 502 136 02   | reinforcement<br>GRV prime coated<br>inner        | /R      | 1   | COUPE  |
| (4) | 996 502 135 00   | reinforcement<br>GRV prime coated<br>inner        | /L      | 1   | CABRIO |
| (4) | 996 502 136 00   | reinforcement                                     | /R      | 1   | CABRIO |

|       |      |    |    |              |              |        |       |            |         |     |         |
|-------|------|----|----|--------------|--------------|--------|-------|------------|---------|-----|---------|
| Model | Year | MG | SG | Illustration | Restrictions | Update | 11:32 | 25.11.2005 | PORSCHE | PET | PORSCHE |
| 996   | 05   | 8  | 01 | 801-45       |              | 194    |       |            |         |     |         |

| Pos | Part Number    | Name  | Remarks | Qty | Model  | Pos | Part Number      | Name                    | Remarks | Qty | Model  |
|-----|----------------|---|---------|-----|--------|-----|------------------|-------------------------|---------|-----|--------|
|     | GRV            | prime coated inner                          |         |     |        | 8   | A 996 502 505 00 | roof frame              |         | 1   |        |
| (4) | 996 502 135 03 | reinforcement                               | /L      | 1   | TARGA  |     | GRV              | prime coated            |         |     |        |
|     | GRV            | prime coated inner                          |         |     |        | 8   | 996 502 505 01   | roof frame              |         | 1   |        |
| (4) | 996 502 136 03 | reinforcement                               | /R      | 1   | TARGA  |     | GRV              | prime coated            |         |     |        |
|     | GRV            | prime coated inner                          |         |     |        | -   | 996 504 911 00   | plate with threaded pin |         | X   |        |
| 5   | 996 502 335 00 | hinge pillar                                | /L      | 1   | CABRIO | -   | 996 504 505 00   | threaded bush           |         | X   |        |
|     | GRV            | prime coated                                |         |     |        | -   | 900 025 008 09   | washer A 10,5           |         | X   |        |
| (5) | 996 502 336 00 | hinge pillar                                | /R      | 1   | CABRIO | -   | 996 502 737 00   | captive nut M 6 cowl    |         | 2   | CABRIO |
|     | GRV            | prime coated                                |         |     |        |     |                  |                         |         |     |        |
| (6) | 996 503 501 00 | outer roof panel                            |         | 1   |        | -   | 997 502 739 00   | captive nut M 6 cowl    |         | 1   | CABRIO |
|     | GRV            | prime coated                                |         |     |        |     |                  |                         |         |     |        |
| 6   | 996 503 087 00 | outer roof panel                            | -01     | 1   | M 650  |     |                  |                         |         |     |        |
|     | GRV            | prime coated                                |         |     |        |     |                  |                         |         |     |        |
| 6   | 996 503 087 03 | outer roof panel                            | 02-     | 1   | M 650  |     |                  |                         |         |     |        |
|     | GRV            | prime coated                                |         |     |        |     |                  |                         |         |     |        |
|     |                | use also:                                   |         |     |        |     |                  |                         |         |     |        |
| -   | 000 043 204 38 | sealing material 70 ML see technical manual |         | X   |        |     |                  |                         |         |     |        |
| -   | 996 504 801 00 | filler piece roof transport system          |         | 2   |        |     |                  |                         |         |     |        |
| 7   | 996 502 305 00 | roof frame                                  | /L -00  | 1   | COUPE  |     |                  |                         |         |     |        |
|     | GRV            | prime coated                                |         |     |        |     |                  |                         |         |     |        |
| 7   | 996 502 305 03 | roof frame                                  | /L 01-  | 1   | COUPE  |     |                  |                         |         |     |        |
|     | GRV            | prime coated                                |         |     |        |     |                  |                         |         |     |        |
| (7) | 996 502 306 00 | roof frame                                  | /R -00  | 1   | COUPE  |     |                  |                         |         |     |        |
|     | GRV            | prime coated                                |         |     |        |     |                  |                         |         |     |        |
| (7) | 996 502 306 03 | roof frame                                  | /R 01-  | 1   | COUPE  |     |                  |                         |         |     |        |
|     | GRV            | prime coated                                |         |     |        |     |                  |                         |         |     |        |



|       |      |    |    |              |              |        |       |            |         |     |         |
|-------|------|----|----|--------------|--------------|--------|-------|------------|---------|-----|---------|
| Model | Year | MG | SG | Illustration | Restrictions | Update | 11:33 | 25.11.2005 | PORSCHE | PET | PORSCHE |
| 996   | 05   | 8  | 01 | 801-50       |              | 194    |       |            |         |     |         |

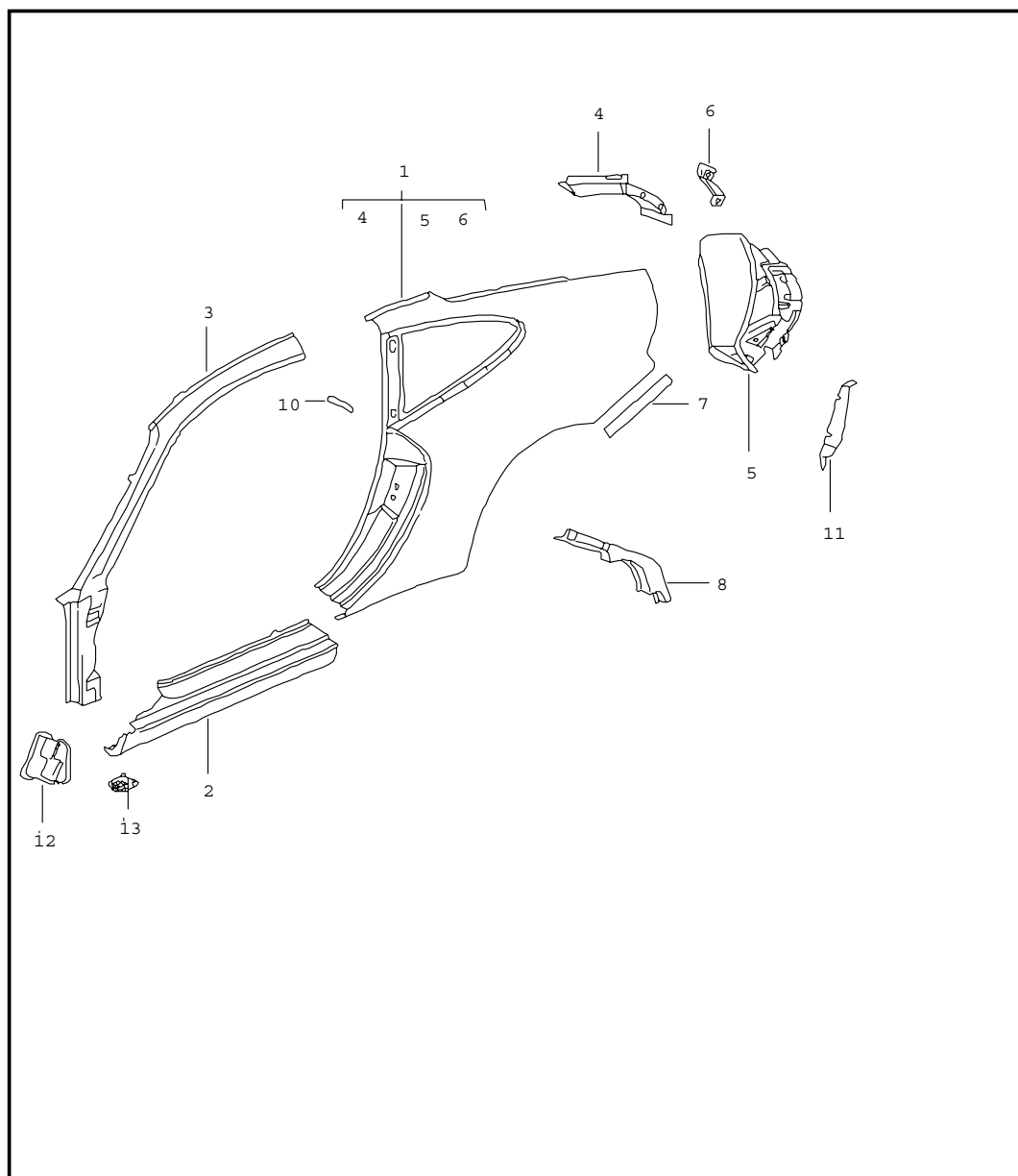


| Pos | Part Number    | Name               | Remarks | Qty | Model       |
|-----|----------------|--------------------|---------|-----|-------------|
|     |                | side section inner |         |     | COUPE/TARGA |
| (1) | 996 502 043 01 | side section       | /L      | 1   | TARGA       |
|     | GRV            | prime coated       |         |     |             |
| 1   | 996 502 043 02 | side section       | /L      | 1   | COUPE       |
|     | GRV            | prime coated       |         |     |             |
| (1) | 996 502 044 01 | side section       | /R      | 1   | TARGA       |
|     | GRV            | prime coated       |         |     |             |
| (1) | 996 502 044 02 | side section       | /R      | 1   | COUPE       |
|     | GRV            | prime coated       |         |     |             |
| 2   | 996 502 423 00 | reinforcement      | /L      | 1   |             |
|     | GRV            | prime coated       |         |     |             |
| 2   | 996 502 423 01 | reinforcement      | /L 00-  | 1   |             |
|     | GRV            | prime coated       |         |     |             |
| (2) | 996 502 424 00 | reinforcement      | /R      | 1   |             |
|     | GRV            | prime coated       |         |     |             |
| (2) | 996 502 424 01 | reinforcement      | /R 00-  | 1   |             |
|     | GRV            | prime coated       |         |     |             |
| (2) | 996 502 423 02 | reinforcement      | /L 01-  | 1   | COUPE/TARGA |
|     | GRV            | prime coated       |         |     |             |
| (2) | 996 502 424 02 | reinforcement      | /R 01-  | 1   | COUPE/TARGA |
|     | GRV            | prime coated       |         |     |             |
| 3   | 996 502 083 00 | side section       | /L -01  | 1   |             |
|     | GRV            | prime coated       |         |     |             |
| 3   | 996 502 083 02 | side section       | /L 02-  | 1   | COUPE/TARGA |
|     | GRV            | prime coated       |         |     |             |
| (3) | 996 502 084 00 | side section       | /R -01  | 1   |             |
|     | GRV            | prime coated       |         |     |             |
| (3) | 996 502 084 02 | side section       | /R 02-  | 1   | COUPE/TARGA |
|     | GRV            | prime coated       |         |     |             |

|       |      |    |    |              |              |        |       |            |         |     |         |
|-------|------|----|----|--------------|--------------|--------|-------|------------|---------|-----|---------|
| Model | Year | MG | SG | Illustration | Restrictions | Update | 11:33 | 25.11.2005 | PORSCHE | PET | PORSCHE |
| 996   | 05   | 8  | 01 | 801-50       |              | 194    |       |            |         |     |         |

| Pos | Part Number    | Name                     | Remarks | Qty | Model       | Pos  | Part Number    | Name              | Remarks | Qty | Model       |
|-----|----------------|--------------------------|---------|-----|-------------|------|----------------|-------------------|---------|-----|-------------|
| 4   | 996 502 383 01 | bracket                  |         | 2   | COUPE/TARGA | (9)  | 996 502 220 01 | end plate         | /R      | 1   | COUPE/TARGA |
|     | GRV            | prime coated             |         |     |             |      | GRV            | prime coated      |         |     |             |
| 5 A | 996 502 733 00 | reinforcement            | /L      | 1   |             | 10   | 996 502 617 00 | pipe              | 02-     | 2   |             |
|     | GRV            | prime coated             |         |     |             |      | GRV            | prime coated      |         |     |             |
| 5   | 996 502 733 01 | reinforcement            | /L      | 1   | COUPE/TARGA | 11   | 996 502 619 00 | pipe              | /L 02-  | 1   |             |
|     | GRV            | prime coated             |         |     |             |      | GRV            | prime coated      |         |     |             |
| (5) | 996 502 734 00 | reinforcement            | /R      | 1   |             | (11) | 996 502 620 00 | pipe              | /R 02-  | 1   |             |
|     | GRV            | prime coated             |         |     |             |      | GRV            | prime coated      |         |     |             |
| (5) | 996 502 734 01 | reinforcement            | /R      | 1   | COUPE/TARGA |      |                | - - - E N D - - - |         |     |             |
|     | GRV            | prime coated             |         |     |             |      |                |                   |         |     |             |
| 6   | 996 502 115 00 | side section             | /L      | 1   | COUPE/TARGA |      |                |                   |         |     |             |
|     | GRV            | prime coated             |         |     |             |      |                |                   |         |     |             |
| (6) | 996 502 116 00 | side section             | /R      | 1   | COUPE/TARGA |      |                |                   |         |     |             |
|     | GRV            | prime coated             |         |     |             |      |                |                   |         |     |             |
| 7   | 996 502 515 00 | wheel housing            | /L      | 1   | COUPE/TARGA |      |                |                   |         |     |             |
|     | GRV            | prime coated             |         |     |             |      |                |                   |         |     |             |
| (7) | 996 502 516 00 | wheel housing            | /R      | 1   | COUPE/TARGA |      |                |                   |         |     |             |
|     | GRV            | prime coated             |         |     |             |      |                |                   |         |     |             |
| (7) | 996 502 215 01 | wheel housing            | /L      | 1   | C4S         |      |                |                   |         |     |             |
|     | GRV            | prime coated<br>POS. 7+9 |         |     |             |      |                |                   |         |     |             |
| (7) | 996 502 216 01 | wheel housing            | /R      | 1   | C4S         |      |                |                   |         |     |             |
|     | GRV            | prime coated<br>POS. 7+9 |         |     |             |      |                |                   |         |     |             |
| 8   | 996 502 161 01 | side section             | /L      | 1   | COUPE/TARGA |      |                |                   |         |     |             |
|     | GRV            | prime coated             |         |     |             |      |                |                   |         |     |             |
| (8) | 996 502 162 01 | side section             | /R      | 1   | COUPE/TARGA |      |                |                   |         |     |             |
|     | GRV            | prime coated             |         |     |             |      |                |                   |         |     |             |
| 9   | 996 502 219 01 | end plate                | /L      | 1   | COUPE/TARGA |      |                |                   |         |     |             |
|     | GRV            | prime coated             |         |     |             |      |                |                   |         |     |             |

|       |      |    |    |              |              |        |       |            |         |     |         |
|-------|------|----|----|--------------|--------------|--------|-------|------------|---------|-----|---------|
| Model | Year | MG | SG | Illustration | Restrictions | Update | 11:33 | 25.11.2005 | PORSCHE | PET | PORSCHE |
| 996   | 05   | 8  | 01 | 801-55       |              | 194    |       |            |         |     |         |



| Pos | Part Number      | Name  | Remarks | Qty | Model |
|-----|------------------|---|---------|-----|-------|
|     |                  | side section<br>outer                               |         |     | COUPE |
| 1   | A 996 503 961 00 | side section<br>GRV prime coated                    | /L -99  | 1   |       |
| 1   | 996 503 961 02   | side section<br>GRV prime coated                    | /L -01  | 1   |       |
| 1   | 996 503 961 05   | side section<br>GRV prime coated                    | /L 02-  | 1   |       |
| (1) | 996 503 962 00   | side section<br>GRV prime coated                    | /R -01  | 1   |       |
| (1) | 996 503 962 05   | side section<br>GRV prime coated                    | /R 02-  | 1   |       |
| (1) | 996 503 961 08   | side section<br>GRV prime coated                    | /L      | 1   | C4S   |
| (1) | 996 503 962 08   | side section<br>GRV prime coated                    | /R      | 1   | C4S   |
| -   | 999 915 650 40   | adhesive<br>TEROMIX 6700                            |         | X   |       |
| -   | 000 043 300 48   | tool<br>see technical manual<br>group 5<br>53 55 55 |         | X   |       |
| 2   | 996 503 963 00   | door sill<br>GRV prime coated                       | /L      | 1   |       |
| (2) | 996 503 964 00   | door sill<br>GRV prime coated                       | /R      | 1   |       |
| (2) | 996 503 963 02   | door sill<br>GRV prime coated                       | /L      | 1   | C4S   |
| (2) | 996 503 964 02   | door sill<br>GRV prime coated                       | /R      | 1   | C4S   |
| 3   | 996 503 965 00   | roof frame  | /L -01  | 1   |       |

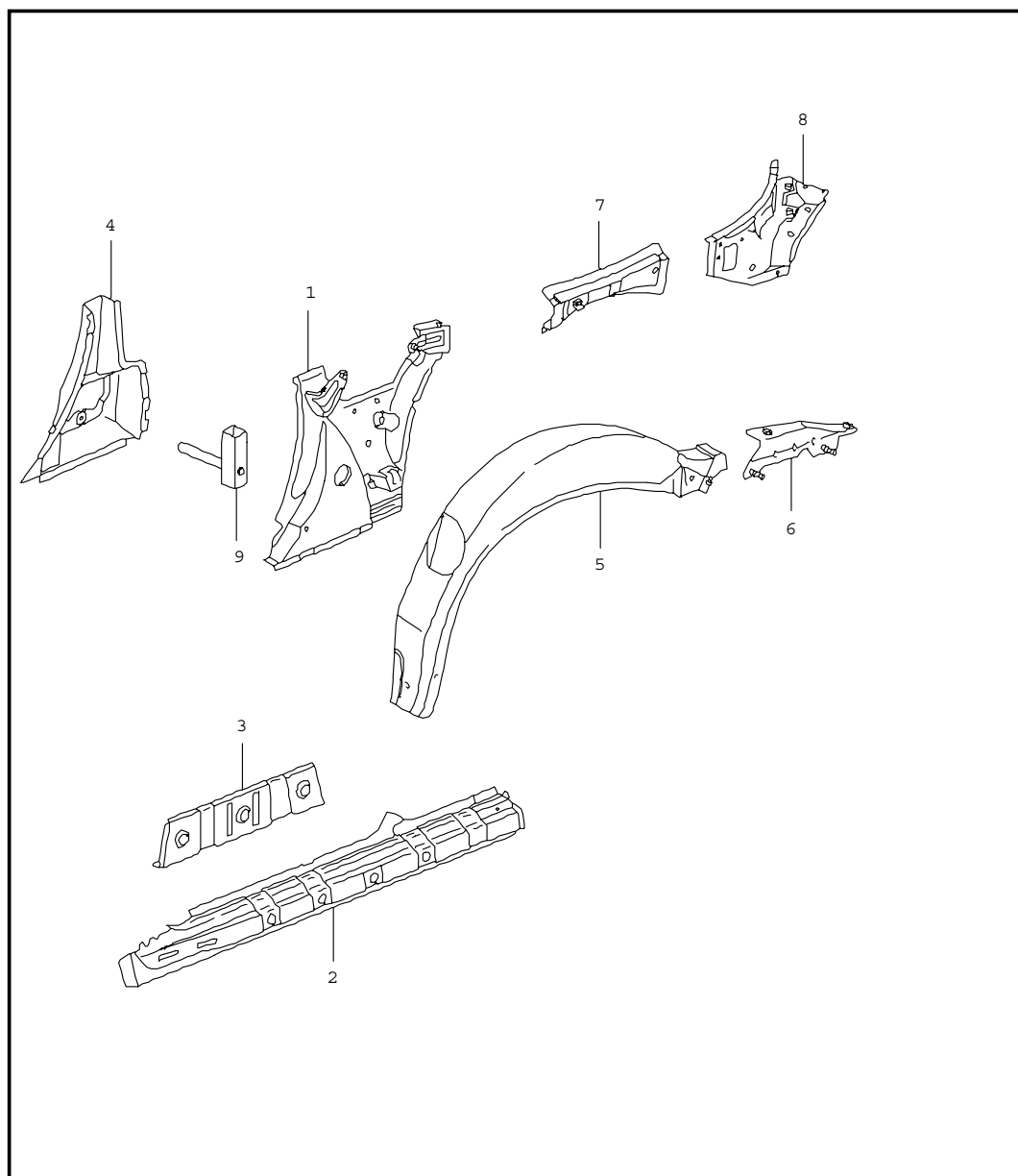
|       |      |    |    |              |              |        |       |            |         |     |         |
|-------|------|----|----|--------------|--------------|--------|-------|------------|---------|-----|---------|
| Model | Year | MG | SG | Illustration | Restrictions | Update | 11:33 | 25.11.2005 | PORSCHE | PET | PORSCHE |
| 996   | 05   | 8  | 01 | 801-55       |              | 194    |       |            |         |     |         |

| Pos | Part Number    | Name             | Remarks | Qty | Model | Pos  | Part Number      | Name                          | Remarks | Qty | Model |
|-----|----------------|------------------|---------|-----|-------|------|------------------|-------------------------------|---------|-----|-------|
|     |                | GRV prime coated |         |     |       | (6)  | 996 502 214 03   | bracket                       | /R 02-  | 1   |       |
| 3   | 996 503 965 02 | roof frame       | /L 02-  | 1   |       |      | GRV prime coated |                               |         |     |       |
|     |                | GRV prime coated |         |     |       | (6)  | 996 502 213 01   | bracket                       | /L      | 1   | C4S   |
| (3) | 996 503 966 00 | roof frame       | /R -01  | 1   |       |      | GRV prime coated |                               |         |     |       |
|     |                | GRV prime coated |         |     |       | (6)  | 996 502 214 01   | bracket                       | /R      | 1   | C4S   |
| (3) | 996 503 966 02 | roof frame       | /R 02-  | 1   |       |      | GRV prime coated |                               |         |     |       |
|     |                | GRV prime coated |         |     |       | 7    | 996 504 631 00   | protective film               | /L      | 1   |       |
| 4   | 996 502 665 00 | sealing channel  | /L      | 1   |       | (7)  | 996 504 632 00   | protective film               | /R      | 1   |       |
|     |                | GRV prime coated |         |     |       | (8)  | 996 504 907 00   | gasket                        | /L      | 1   |       |
| (4) | 996 502 666 00 | sealing channel  | /R      | 1   |       | (8)  | 996 504 908 00   | gasket<br>see workshop manual | /R      | 1   |       |
|     |                | GRV prime coated |         |     |       | 10   | 996 537 237 00   | protective film               |         | 2   |       |
| 4   | 996 502 665 03 | sealing channel  | /L      | 1   | C4S   | 11 A | 996 501 855 00   | angular plate                 | /L -00  | 1   |       |
|     |                | GRV prime coated |         |     |       |      | GRV prime coated |                               |         |     |       |
| (4) | 996 502 666 03 | sealing channel  | /R      | 1   | C4S   | 11   | 996 501 855 02   | angular plate                 | /L      | 1   |       |
|     |                | GRV prime coated |         |     |       |      | GRV prime coated |                               |         |     |       |
| 5   | 996 502 461 04 | frame for light  | /L      | 1   |       | 11   | 996 501 855 03   | angular plate                 | /L 01-  | 1   |       |
|     |                | GRV prime coated |         |     |       |      | GRV prime coated |                               |         |     |       |
| 5   | 996 502 461 01 | frame for light  | /L      | 1   | C4S   | (11) | 996 501 487 00   | angular plate                 | /L 02-  | 1   | C4S   |
|     |                | GRV prime coated |         |     |       |      | GRV prime coated |                               |         |     |       |
| (5) | 996 502 462 03 | frame for light  | /R      | 1   |       | (11) | 996 501 856 00   | angular plate                 | /R -00  | 1   |       |
|     |                | GRV prime coated |         |     |       |      | GRV prime coated |                               |         |     |       |
| (5) | 996 502 462 01 | frame for light  | /R      | 1   | C4S   | (11) | 996 501 856 03   | angular plate                 | /R 01-  | 1   |       |
|     |                | GRV prime coated |         |     |       |      | GRV prime coated |                               |         |     |       |
| 6   | 996 502 213 00 | bracket          | /L -01  | 1   |       | (11) | 996 501 488 00   | angular plate                 | /R 02-  | 1   | C4S   |
|     |                | GRV prime coated |         |     |       |      | GRV prime coated |                               |         |     |       |
| 6   | 996 502 213 03 | bracket          | /L 02-  | 1   |       | 12   | 996 572 311 00   | water protection              | /L      | 1   |       |
|     |                | GRV prime coated |         |     |       | (12) | 996 572 312 00   | water protection              | /R      | 1   |       |
| (6) | 996 502 214 00 | bracket          | /R -01  | 1   |       | 13   | 999 703 475 40   | drain tube<br>door sill       |         | 2   |       |
|     |                | GRV prime coated |         |     |       |      |                  |                               |         |     |       |

|       |      |    |    |              |              |        |       |            |         |     |         |
|-------|------|----|----|--------------|--------------|--------|-------|------------|---------|-----|---------|
| Model | Year | MG | SG | Illustration | Restrictions | Update |       |            |         |     |         |
| 996   | 05   | 8  | 01 | 801-55       |              | 194    | 11:33 | 25.11.2005 | PORSCHE | PET | PORSCHE |

| Pos | Part Number | Name              | Remarks | Qty | Model | Pos | Part Number | Name | Remarks | Qty | Model |
|-----|-------------|-------------------|---------|-----|-------|-----|-------------|------|---------|-----|-------|
|     |             | - - - E N D - - - |         |     |       |     |             |      |         |     |       |

|       |      |    |    |              |              |        |       |            |         |     |         |
|-------|------|----|----|--------------|--------------|--------|-------|------------|---------|-----|---------|
| Model | Year | MG | SG | Illustration | Restrictions | Update | 11:33 | 25.11.2005 | PORSCHE | PET | PORSCHE |
| 996   | 05   | 8  | 01 | 801-60       |              | 194    |       |            |         |     |         |

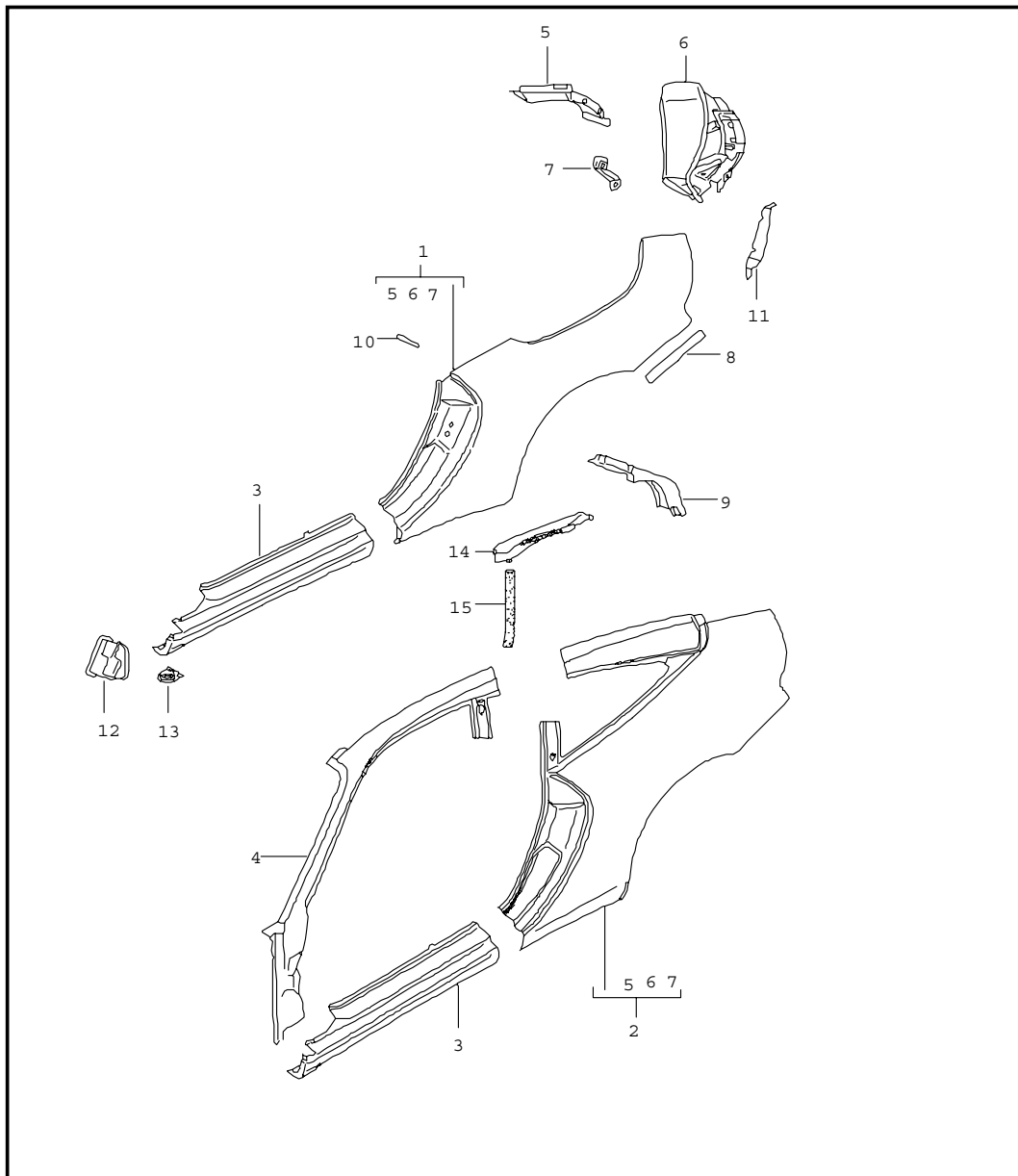


| Pos | Part Number      | Name               | Remarks | Qty | Model  |
|-----|------------------|--------------------|---------|-----|--------|
|     |                  | side section inner |         |     | CABRIO |
| 1   | A 996 502 073 00 | side section       | /L -00  | 1   |        |
|     | GRV              | prime coated       |         |     |        |
| 1   | 996 502 073 01   | side section       | /L      | 1   |        |
|     | GRV              | prime coated       |         |     |        |
| (1) | 996 502 074 00   | side section       | /R -00  | 1   |        |
|     | GRV              | prime coated       |         |     |        |
| (1) | 996 502 074 01   | side section       | /R 01-  | 1   |        |
|     | GRV              | prime coated       |         |     |        |
| 2   | 996 502 663 01   | reinforcement      | /L      | 1   |        |
|     | GRV              | prime coated       |         |     |        |
| (2) | A 996 502 664 01 | reinforcement      | /R      | 1   |        |
|     | GRV              | prime coated       |         |     |        |
| (2) | 996 502 664 02   | reinforcement      | /R      | 1   |        |
|     | GRV              | prime coated       |         |     |        |
| 3   | 996 502 683 00   | separator          | /L -01  | 1   |        |
|     | GRV              | prime coated       |         |     |        |
| 3   | 996 502 683 01   | separator          | /L 02-  | 1   |        |
|     | GRV              | prime coated       |         |     |        |
| (3) | 996 502 684 00   | separator          | /R -01  | 1   |        |
|     | GRV              | prime coated       |         |     |        |
| (3) | 996 502 684 01   | separator          | /R 02-  | 1   |        |
|     | GRV              | prime coated       |         |     |        |
| 4   | 996 502 415 00   | b-pillar           | /L -01  | 1   |        |
|     | GRV              | prime coated       |         |     |        |
| 4   | 996 502 415 01   | b-pillar           | /L 02-  | 1   |        |
|     | GRV              | prime coated       |         |     |        |
| (4) | 996 502 416 00   | b-pillar           | /R -01  | 1   |        |
|     | GRV              | prime coated       |         |     |        |

|       |      |    |    |              |              |        |       |            |         |     |         |
|-------|------|----|----|--------------|--------------|--------|-------|------------|---------|-----|---------|
| Model | Year | MG | SG | Illustration | Restrictions | Update | 11:33 | 25.11.2005 | PORSCHE | PET | PORSCHE |
| 996   | 05   | 8  | 01 | 801-60       |              | 194    |       |            |         |     |         |

| Pos | Part Number    | Name                    | Remarks | Qty | Model | Pos | Part Number | Name | Remarks | Qty | Model |
|-----|----------------|-------------------------|---------|-----|-------|-----|-------------|------|---------|-----|-------|
| (4) | 996 502 416 01 | b-pillar                | /R 02-  | 1   |       |     |             |      |         |     |       |
|     | GRV            | prime coated            |         |     |       |     |             |      |         |     |       |
| 5   | 996 502 515 00 | wheel housing           | /L      | 1   |       |     |             |      |         |     |       |
|     | GRV            | prime coated            |         |     |       |     |             |      |         |     |       |
| (5) | 996 502 516 00 | wheel housing           | /R      | 1   |       |     |             |      |         |     |       |
|     | GRV            | prime coated            |         |     |       |     |             |      |         |     |       |
| (5) | 996 502 215 03 | wheel housing           | /L      | 1   | C4S   |     |             |      |         |     |       |
|     | GRV            | prime coated<br>POS.5+6 |         |     |       |     |             |      |         |     |       |
| (5) | 996 502 216 03 | wheel housing           | /R      | 1   | C4S   |     |             |      |         |     |       |
|     | GRV            | prime coated<br>POS.5+6 |         |     |       |     |             |      |         |     |       |
| 6   | 996 502 219 01 | end plate               | /L      | 1   |       |     |             |      |         |     |       |
|     | GRV            | prime coated            |         |     |       |     |             |      |         |     |       |
| (6) | 996 502 220 01 | end plate               | /R      | 1   |       |     |             |      |         |     |       |
|     | GRV            | prime coated            |         |     |       |     |             |      |         |     |       |
| 7   | 996 502 087 00 | side section            | /L      | 1   |       |     |             |      |         |     |       |
|     | GRV            | prime coated            |         |     |       |     |             |      |         |     |       |
| (7) | 996 502 088 00 | side section            | /R      | 1   |       |     |             |      |         |     |       |
|     | GRV            | prime coated            |         |     |       |     |             |      |         |     |       |
| 8   | 996 502 161 00 | side section            | /L      | 1   |       |     |             |      |         |     |       |
|     | GRV            | prime coated            |         |     |       |     |             |      |         |     |       |
| (8) | 996 502 162 00 | side section            | /R      | 1   |       |     |             |      |         |     |       |
|     | GRV            | prime coated            |         |     |       |     |             |      |         |     |       |
| 9   | 996 502 669 00 | pipe                    | 02-     | 2   |       |     |             |      |         |     |       |
|     | GRV            | prime coated            |         |     |       |     |             |      |         |     |       |
|     |                | - - - E N D - - -       |         |     |       |     |             |      |         |     |       |

|       |      |    |    |              |              |        |       |            |         |     |         |
|-------|------|----|----|--------------|--------------|--------|-------|------------|---------|-----|---------|
| Model | Year | MG | SG | Illustration | Restrictions | Update | 11:33 | 25.11.2005 | PORSCHE | PET | PORSCHE |
| 996   | 05   | 8  | 01 | 801-65       |              | 194    |       |            |         |     |         |



| Pos | Part Number    | Name                                       | Remarks | Qty | Model        |
|-----|----------------|--|---------|-----|--------------|
|     |                | side section outer                         |         |     | CABRIO/TARGA |
| 1   | 996 503 961 03 | side section                               | /L -01  | 1   | CABRIO       |
|     | GRV            | prime coated                               |         |     |              |
| 1   | 996 503 961 06 | side section                               | /L 02-  | 1   | CABRIO       |
|     | GRV            | prime coated                               |         |     |              |
| (1) | 996 503 962 01 | side section                               | /R -01  | 1   | CABRIO       |
|     | GRV            | prime coated                               |         |     |              |
| (1) | 996 503 962 06 | side section                               | /R 02-  | 1   | CABRIO       |
|     | GRV            | prime coated                               |         |     |              |
| (1) | 996 503 961 09 | side section                               | /L 04-  | 1   | C4S CABRIO   |
|     | GRV            | prime coated                               |         |     |              |
| (1) | 996 503 962 09 | side section                               | /R 04-  | 1   | C4S CABRIO   |
|     | GRV            | prime coated                               |         |     |              |
| -   | 996 503 061 03 | side section                               | /L      | 1   | TARGA        |
|     | GRV            | prime coated complete                      |         |     |              |
| -   | 996 503 062 03 | side section                               | /R      | 1   | TARGA        |
|     | GRV            | prime coated complete                      |         |     |              |
| 2   | 996 503 961 11 | side section                               | /L      | 1   | TARGA        |
|     | GRV            | prime coated                               |         |     |              |
| (2) | 996 503 962 11 | side section                               | /R      | 1   | TARGA        |
|     | GRV            | prime coated                               |         |     |              |
|     |                | use also:                                  |         |     |              |
| -   | 999 915 650 40 | adhesive TEROMIX 6700                      |         | X   |              |
| -   | 000 043 300 48 | tool see technical manual group 5 53 55 55 |         | X   |              |
| 3   | 996 503 963 01 | door sill                                  | /L      | 1   | CABRIO       |
|     | GRV            | prime coated                               |         |     |              |



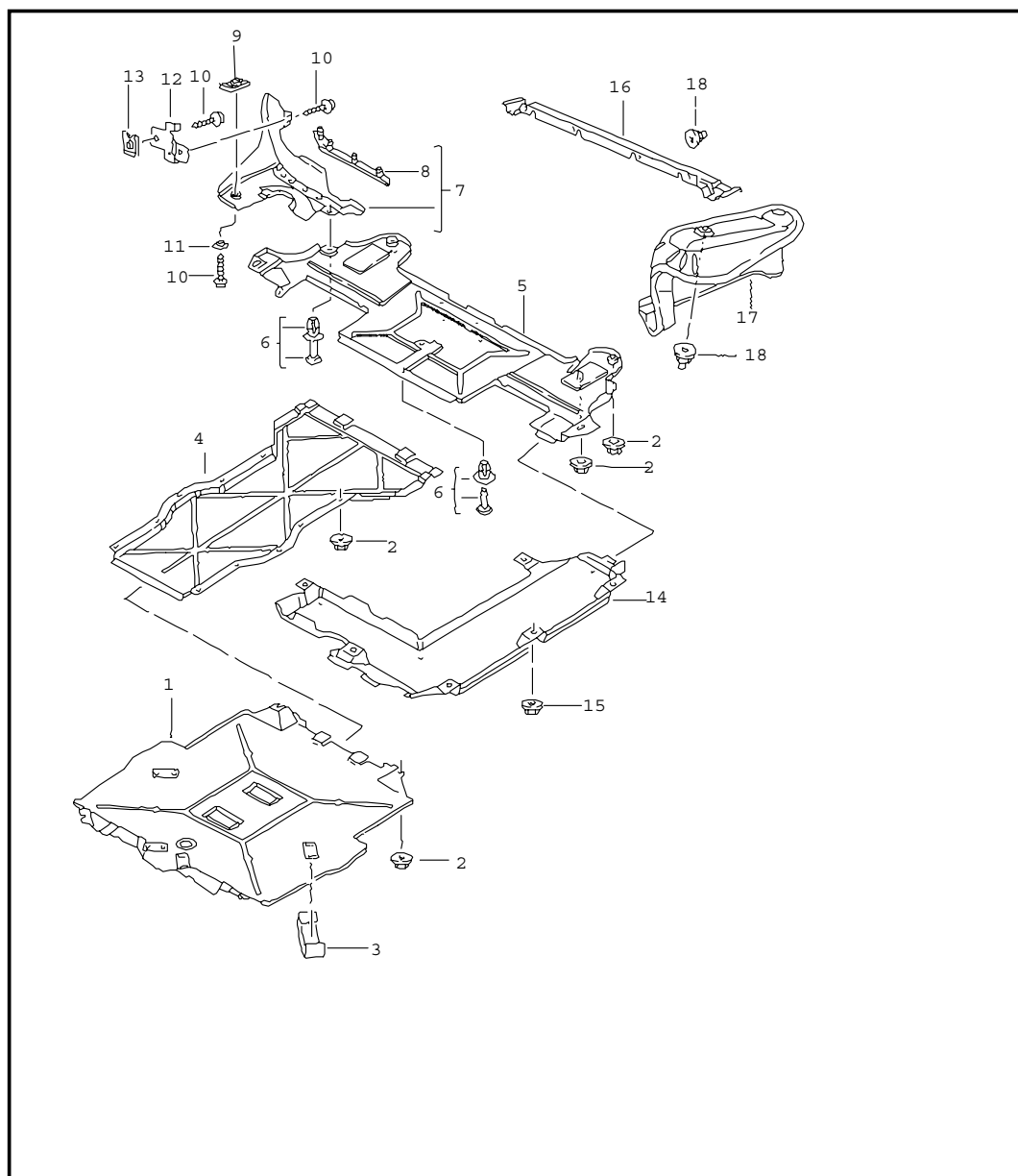
|       |      |    |    |              |              |        |       |            |         |     |         |
|-------|------|----|----|--------------|--------------|--------|-------|------------|---------|-----|---------|
| Model | Year | MG | SG | Illustration | Restrictions | Update | 11:33 | 25.11.2005 | PORSCHE | PET | PORSCHE |
| 996   | 05   | 8  | 01 | 801-65       |              | 194    |       |            |         |     |         |

| Pos | Part Number    | Name            | Remarks | Qty | Model      | Pos  | Part Number    | Name   | Remarks | Qty | Model      |
|-----|----------------|-----------------|---------|-----|------------|------|----------------|--|---------|-----|------------|
| 3   | 996 503 963 00 | door sill       | /L      | 1   | TARGA      |      | GRV            | prime coated   |         |     |            |
|     | GRV            | prime coated    |         |     |            | (7)  | 996 502 214 00 | bracket  | /R -01  | 1   |            |
| (3) | 996 503 964 01 | door sill       | /R      | 1   | CABRIO     |      | GRV            | prime coated   |         |     |            |
|     | GRV            | prime coated    |         |     |            | (7)  | 996 502 214 03 | bracket  | /R 02-  | 1   |            |
| (3) | 996 503 964 00 | door sill       | /R      | 1   | TARGA      |      | GRV            | prime coated   |         |     |            |
|     | GRV            | prime coated    |         |     |            | (7)  | 996 502 213 01 | bracket  | /L 04-  | 1   | C4S CABRIO |
| (3) | 996 503 963 03 | door sill       | /L 04-  | 1   | C4S CABRIO |      | GRV            | prime coated   |         |     |            |
|     | GRV            | prime coated    |         |     |            | (7)  | 996 502 214 01 | bracket  | /R 04-  | 1   | C4S CABRIO |
| (3) | 996 503 964 03 | door sill       | /R 04-  | 1   | C4S CABRIO |      | GRV            | prime coated   |         |     |            |
|     | GRV            | prime coated    |         |     |            | 8    | 996 504 631 00 | protective film  | /L      | 1   |            |
| 4   | 996 503 965 04 | a-pillar        | /L      | 1   | TARGA      | (8)  | 996 504 632 00 | protective film  | /R      | 1   |            |
|     | GRV            | prime coated    |         |     |            | (9)  | 996 504 907 00 | gasket   | /L      | 1   |            |
| (4) | 996 503 966 04 | a-pillar        | /R      | 1   | TARGA      | (9)  | 996 504 908 00 | gasket<br>it is necessary to rework<br>see workshop manual | /R      | 1   |            |
|     | GRV            | prime coated    |         |     |            | 10   | 996 537 237 00 | protective film  |         | 2   |            |
| 5   | 996 502 665 01 | sealing channel | /L      | 1   |            | 11   | 996 501 855 02 | angular plate  | /L -00  | 1   |            |
|     | GRV            | prime coated    |         |     |            |      | GRV            | prime coated   |         |     |            |
| (5) | 996 502 666 01 | sealing channel | /R      | 1   |            | 11   | 996 501 855 03 | angular plate  | /L 01-  | 1   |            |
|     | GRV            | prime coated    |         |     |            |      | GRV            | prime coated   |         |     |            |
| 6   | 996 502 461 04 | frame for light | /L      | 1   |            | (11) | 996 501 856 02 | angular plate  | /R -00  | 1   |            |
|     | GRV            | prime coated    |         |     |            |      | GRV            | prime coated   |         |     |            |
| 6   | 996 502 461 01 | frame for light | /L      | 1   | C4S        | (11) | 996 501 856 03 | angular plate  | /R 01-  | 1   |            |
|     | GRV            | prime coated    |         |     |            |      | GRV            | prime coated   |         |     |            |
| (6) | 996 502 462 03 | frame for light | /R      | 1   |            | 12   | 996 572 311 00 | water protection   | /L      | 1   |            |
|     | GRV            | prime coated    |         |     |            | (12) | 996 572 312 00 | water protection   | /R      | 1   |            |
| (6) | 996 502 462 01 | frame for light | /R      | 1   | C4S        | 13   | 999 703 475 40 | drain tube<br>door sill                                    |         | 2   |            |
|     | GRV            | prime coated    |         |     |            | 14   | 997 504 967 00 | water drip pan   | /L      | 1   | CABRIO     |
| 7   | 996 502 213 00 | bracket         | /L -01  | 1   |            | (14) | 997 504 968 00 | water drip pan<br>use also:                                | /R      | 1   | CABRIO     |
|     | GRV            | prime coated    |         |     |            |      |                |  |         |     |            |
| 7   | 996 502 213 03 | bracket         | /L 02-  | 1   |            |      |                |  |         |     |            |

|       |      |    |    |              |              |        |       |            |         |     |         |
|-------|------|----|----|--------------|--------------|--------|-------|------------|---------|-----|---------|
| Model | Year | MG | SG | Illustration | Restrictions | Update | 11:33 | 25.11.2005 | PORSCHE | PET | PORSCHE |
| 996   | 05   | 8  | 01 | 801-65       |              | 194    |       |            |         |     |         |

| Pos | Part Number    | Name   | Remarks | Qty | Model  | Pos | Part Number | Name | Remarks | Qty | Model |
|-----|----------------|--|---------|-----|--------|-----|-------------|------|---------|-----|-------|
| 15  | 986 514 241 00 | water drain hose<br>see technical manual<br>53 55<br><br>- - - E N D - - - |         | 2   | CABRIO |     |             |      |         |     |       |

|       |      |    |    |              |              |        |       |            |         |     |         |
|-------|------|----|----|--------------|--------------|--------|-------|------------|---------|-----|---------|
| Model | Year | MG | SG | Illustration | Restrictions | Update | 11:33 | 25.11.2005 | PORSCHE | PET | PORSCHE |
| 996   | 05   | 8  | 01 | 801-70       |              | 194    |       |            |         |     |         |

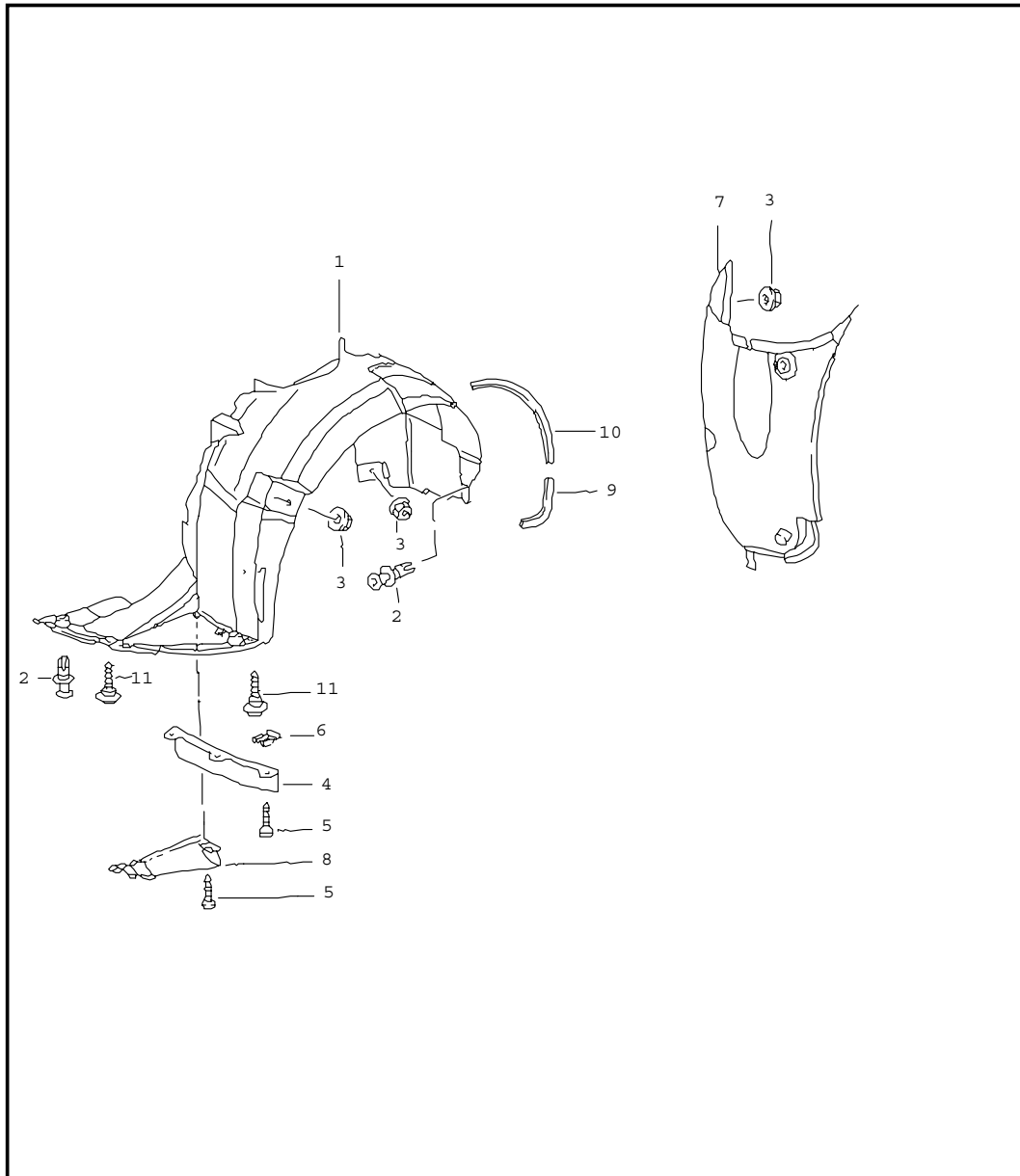


| Pos  | Part Number    | Name                       | Remarks | Qty | Model |
|------|----------------|----------------------------|---------|-----|-------|
|      |                | linings for underbody      |         |     |       |
| 1    | 996 504 527 02 | cover                      |         | 1   | M 338 |
| (1)  | 996 504 527 01 | cover                      | 99-     | 1   | M 339 |
| 2    | 999 049 022 40 | plastic nut T 5            |         | 21  |       |
| 3    | 999 507 657 09 | clamp                      |         | 6   |       |
| 4    | 996 504 043 02 | cover centre               |         | 1   |       |
| 5    | 996 504 129 01 | cover rear                 |         | 1   |       |
| 6    | 999 507 497 40 | expansion rivet 8,0 X 14,0 |         | 4   |       |
| 7    | 996 504 393 01 | cover                      | /L      | 1   |       |
|      | 01C            | satin black                |         |     |       |
| (7)  | 996 504 394 01 | cover                      | /R      | 1   |       |
|      | 01C            | satin black                |         |     |       |
| 8    | 996 504 893 00 | rubber lip                 | /L      | 1   |       |
| (8)  | 996 504 894 00 | rubber lip                 | /R      | 1   |       |
| 9    | 999 507 348 02 | speed nut ST 4,8           |         | 4   |       |
| 10   | 999 073 061 02 | tapping screw ST 4,8 X 16  |         | 8   |       |
| 11   | 944 503 255 00 | spacer sleeve              |         | 4   |       |
| 12   | 996 504 593 00 | support                    |         | 2   |       |
| 13   | 999 507 462 02 | speed nut ST 4,8           |         | 4   |       |
| 14   | 996 504 561 00 | cover                      |         | 1   |       |
| 15   | 999 049 022 40 | plastic nut T5             |         | 6   |       |
| 16   | 996 505 471 00 | heat protection centre     |         | 1   |       |
| 17   | 996 505 477 00 | heat protection            | /L      | 1   |       |
| (17) | 996 505 478 00 | heat protection            | /R      | 1   |       |

|       |      |    |    |              |              |        |       |            |         |     |         |
|-------|------|----|----|--------------|--------------|--------|-------|------------|---------|-----|---------|
| Model | Year | MG | SG | Illustration | Restrictions | Update | 11:33 | 25.11.2005 | PORSCHE | PET | PORSCHE |
| 996   | 05   | 8  | 01 | 801-70       |              | 194    |       |            |         |     |         |

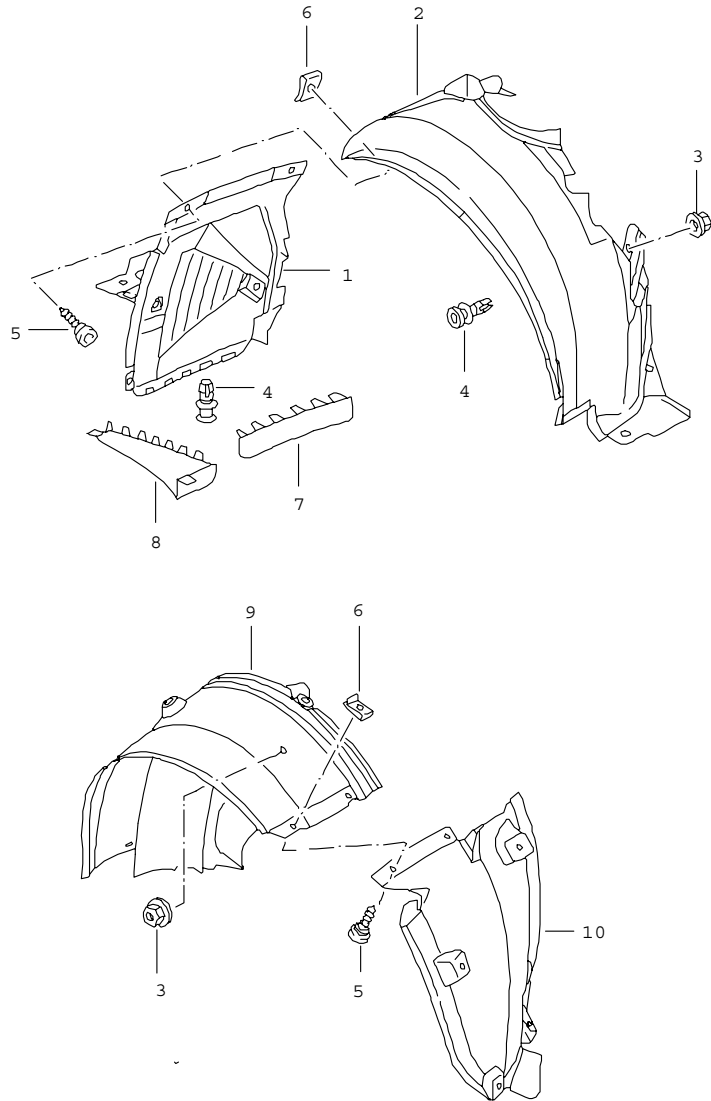
| Pos               | Part Number    | Name              | Remarks | Qty | Model | Pos | Part Number | Name | Remarks | Qty | Model |
|-------------------|----------------|-------------------|---------|-----|-------|-----|-------------|------|---------|-----|-------|
| 18                | 999 049 025 09 | collar nut<br>T 5 |         | 12  |       |     |             |      |         |     |       |
| -                 | 996 575 161 01 | air duct<br>front |         | 1   | C4S   |     |             |      |         |     |       |
| - - - E N D - - - |                |                   |         |     |       |     |             |      |         |     |       |

|       |      |    |    |              |              |        |       |            |         |     |         |
|-------|------|----|----|--------------|--------------|--------|-------|------------|---------|-----|---------|
| Model | Year | MG | SG | Illustration | Restrictions | Update | 11:34 | 25.11.2005 | PORSCHE | PET | PORSCHE |
| 996   | 05   | 8  | 01 | 801-75       |              | 194    |       |            |         |     |         |



| Pos               | Part Number    | Name                            | Remarks | Qty | Model |
|-------------------|----------------|---------------------------------|---------|-----|-------|
|                   |                | linings<br>for<br>wheel housing | -01     |     |       |
| 1                 | 996 504 203 06 | wheel-housing liner             | /L      | 1   |       |
| (1)               | 996 504 204 06 | wheel-housing liner             | /R      | 1   |       |
| 2                 | 999 507 497 40 | expansion rivet<br>8,0 X 14,0   |         | 13  |       |
| 3                 | 999 049 022 40 | plastic nut<br>T5               |         | 10  |       |
| 4                 | 996 504 503 00 | rubber lip                      | /L      | 1   |       |
| (4)               | 996 504 504 00 | rubber lip                      | /R      | 1   |       |
| 5                 | 999 073 061 02 | tapping screw<br>ST 4,8 X 16    |         | 6   |       |
| 6                 | 999 591 699 02 | speed nut<br>ST 4,8             |         | 12  |       |
| 7                 | 996 504 573 02 | wheel-housing liner             | /L      | 1   |       |
| (7)               | 996 504 574 02 | wheel-housing liner             | /R      | 1   |       |
| 8                 | 996 504 603 00 | air duct                        | /L      | 1   |       |
| (8)               | 996 504 604 00 | air duct                        | /R      | 1   |       |
| 9                 | 999 911 663 40 | sealing strap<br>10 X 10 X 180  |         | 2   |       |
| 10                | 999 911 695 40 | sealing strap<br>10 X 30 X 680  |         | 2   |       |
| 11                | 999 073 227 09 | shouldered bolt<br>ST 4,8 X 19  |         | 4   |       |
| - - - E N D - - - |                |                                 |         |     |       |

|       |      |    |    |              |              |        |       |            |         |     |         |
|-------|------|----|----|--------------|--------------|--------|-------|------------|---------|-----|---------|
| Model | Year | MG | SG | Illustration | Restrictions | Update | 11:34 | 25.11.2005 | PORSCHE | PET | PORSCHE |
| 996   | 05   | 8  | 01 | 801-80       |              | 194    |       |            |         |     |         |

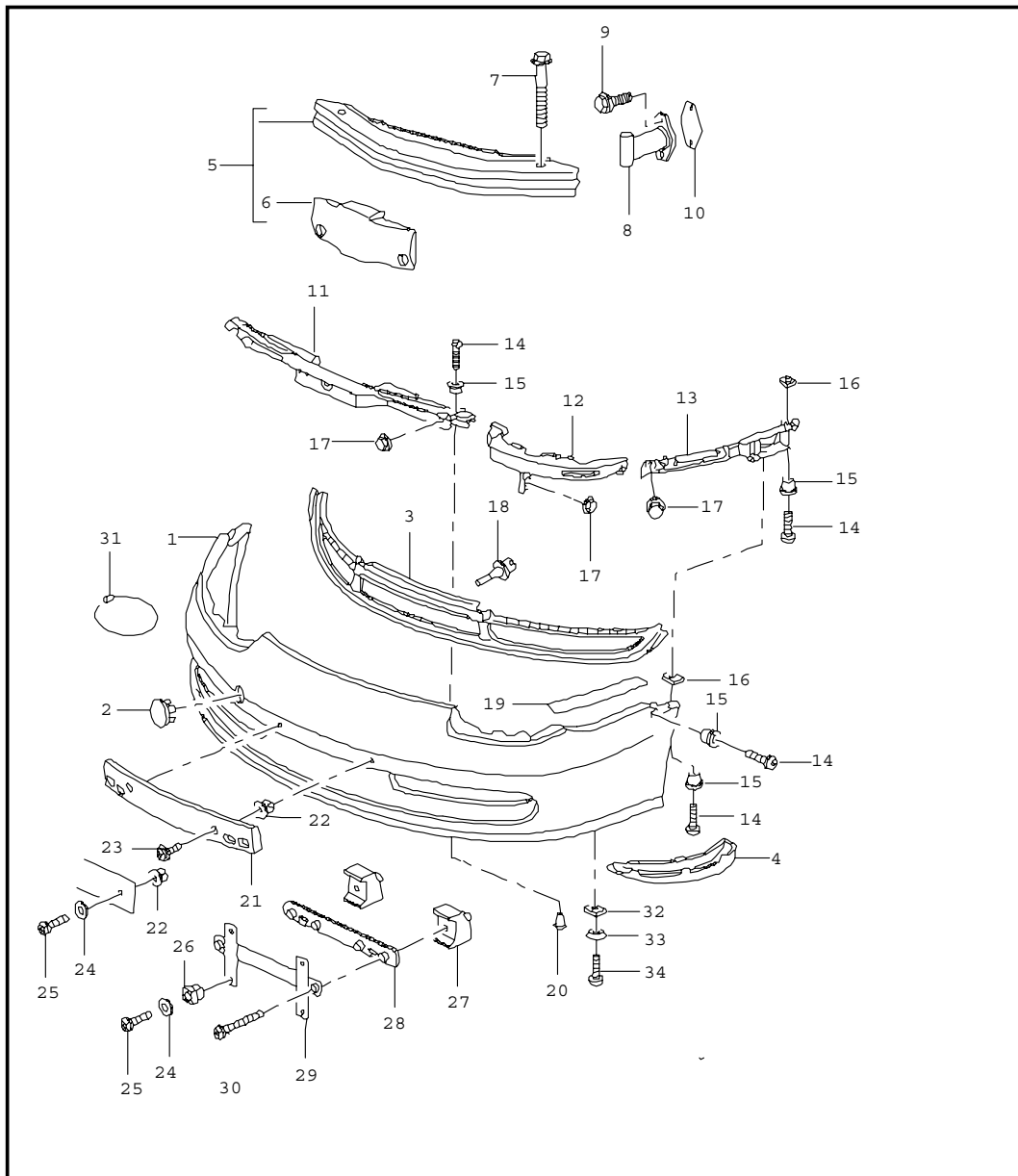


| Pos | Part Number    | Name                       | Remarks  | Qty | Model        |
|-----|----------------|----------------------------|----------|-----|--------------|
|     |                | linings for wheel housing  | 02-      |     |              |
| 1   | 996 504 123 00 | wheel-housing liner        | /L/V     | 1   | C4S          |
| (1) | 996 504 123 01 | wheel-housing liner        | /L/V     | 1   |              |
| (1) | 996 504 123 03 | wheel-housing liner front  | /L/V 02- | 1   | CABRIO TARGA |
| (1) | 996 504 124 00 | wheel-housing liner        | /R/V     | 1   | C4S          |
| (1) | 996 504 124 01 | wheel-housing liner        | /R/V     | 1   |              |
| (1) | 996 504 124 03 | wheel-housing liner front  | /R/V 02- | 1   | CABRIO TARGA |
| 2   | 996 504 103 00 | wheel-housing liner        | /L/H     | 1   |              |
| 2   | 996 504 203 08 | wheel-housing liner front  | /L/H     | 1   | C4S          |
| (2) | 996 504 104 00 | wheel-housing liner        | /R/H     | 1   |              |
| (2) | 996 504 204 08 | wheel-housing liner front  | /R/H     | 1   | C4S          |
| 3   | 999 049 022 40 | plastic nut T5             |          | X   |              |
| 4   | 999 507 497 40 | expansion rivet 8,0 X 14,0 |          | X   |              |
| 5   | N 906 487 02   | tapping screw ST 4,8 X 16  |          | X   |              |
| 6   | 999 507 668 02 | speed nut ST 4,8           |          | X   |              |
| 7   | 996 504 503 02 | rubber lip                 | /L       | 1   | C4S          |
| (7) | 996 504 503 03 | rubber lip                 | /L       | 1   |              |
| (7) | 996 504 504 02 | rubber lip                 | /R       | 1   | C4S          |
| (7) | 996 504 504 03 | rubber lip                 | /R       | 1   |              |
| 8   | 996 504 603 01 | air duct                   | /L       | 1   | C4S          |
| 8   | 996 504 603 02 | air duct                   | /L       | 1   |              |
| 8   | 996 504 603 03 | air duct                   | /L 02-   | 1   | CABRIO TARGA |
| (8) | 996 504 604 01 | air duct                   | /R       | 1   | C4S          |

|       |      |    |    |              |              |        |       |            |         |     |         |
|-------|------|----|----|--------------|--------------|--------|-------|------------|---------|-----|---------|
| Model | Year | MG | SG | Illustration | Restrictions | Update | 11:34 | 25.11.2005 | PORSCHE | PET | PORSCHE |
| 996   | 05   | 8  | 01 | 801-80       |              | 194    |       |            |         |     |         |

| Pos | Part Number    | Name                           | Remarks | Qty | Model           | Pos | Part Number | Name | Remarks | Qty | Model |
|-----|----------------|--------------------------------|---------|-----|-----------------|-----|-------------|------|---------|-----|-------|
| (8) | 996 504 604 02 | air duct                       | /R      | 1   |                 |     |             |      |         |     |       |
| (8) | 996 504 604 03 | air duct                       | /R      | 1   | CABRIO<br>TARGA |     |             |      |         |     |       |
| 9   | 996 504 573 01 | wheel-housing liner            | /L      | 1   | C4S             |     |             |      |         |     |       |
| 9   | 996 504 573 02 | wheel-housing liner<br>rear    | /L      | 1   |                 |     |             |      |         |     |       |
| (9) | 996 504 574 01 | wheel-housing liner            | /R      | 1   | C4S             |     |             |      |         |     |       |
| (9) | 996 504 574 02 | wheel-housing liner<br>rear    | /R      | 1   |                 |     |             |      |         |     |       |
| 10  | 999 911 663 40 | sealing strap<br>10 X 10 X 180 |         | 2   |                 |     |             |      |         |     |       |
| 11  | 999 911 695 40 | sealing strap<br>10 X 30 X 680 |         | 2   |                 |     |             |      |         |     |       |
|     |                | - - - E N D - - -              |         |     |                 |     |             |      |         |     |       |

|       |      |    |    |              |              |        |       |            |         |     |         |
|-------|------|----|----|--------------|--------------|--------|-------|------------|---------|-----|---------|
| Model | Year | MG | SG | Illustration | Restrictions | Update | 11:34 | 25.11.2005 | PORSCHE | PET | PORSCHE |
| 996   | 05   | 8  | 02 | 802-00       |              | 194    |       |            |         |     |         |



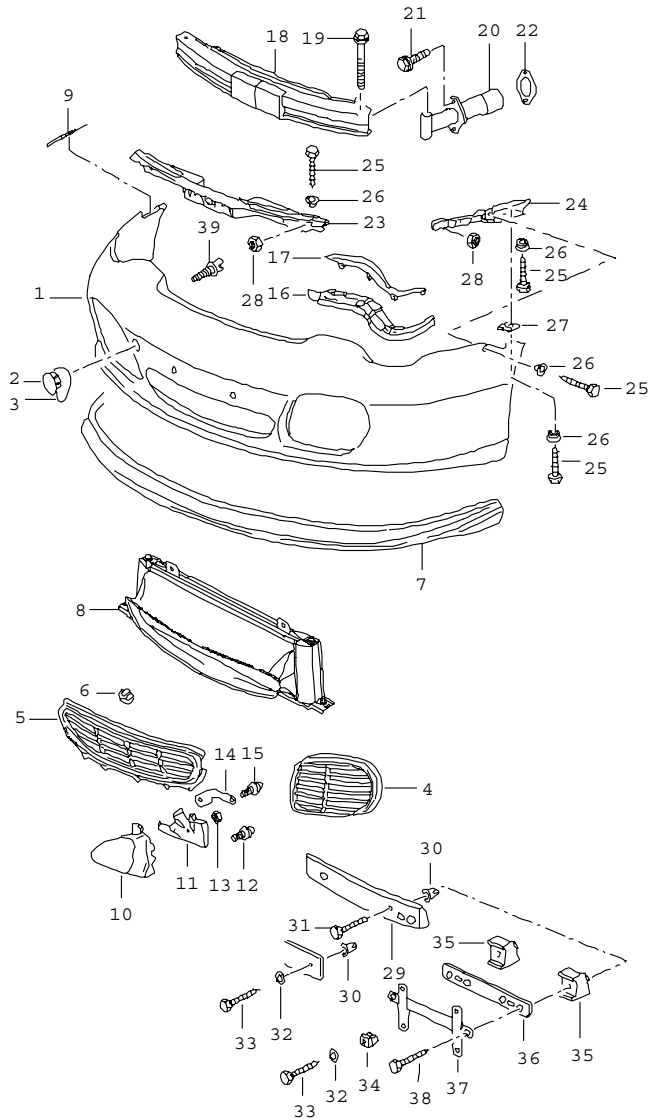
| Pos | Part Number      | Name                            | Remarks | Qty | Model |
|-----|------------------|---------------------------------|---------|-----|-------|
|     |                  | bumper front                    |         |     |       |
| 1   | 996 505 311 04   | lining                          | -01     | 1   |       |
|     | G2X              | prime coated                    |         |     |       |
| (1) | 996 505 311 06   | lining                          | 02-     | 1   |       |
|     | G2X              | prime coated                    |         |     |       |
| 2   | 964 505 103 00   | cap                             |         | 1   |       |
|     | G2X              | prime coated                    |         |     |       |
| 3   | 996 505 553 04   | air inlet                       | -01     | 1   | M 480 |
|     | 01C              | satin black                     |         |     |       |
| (3) | 996 505 561 01   | air inlet                       | 02-     | 1   | M 480 |
|     | 01C              | satin black                     |         |     |       |
| (3) | 996 505 553 05   | air inlet                       | -01     | 1   | M 249 |
|     | 01C              | satin black                     |         |     |       |
| (3) | 996 505 561 02   | air inlet                       | 02-     | 1   | M 249 |
|     | 01C              | satin black                     |         |     |       |
| 4   | 996 505 525 00   | cover                           | /L -01  | 1   |       |
|     | 01C              | satin black                     |         |     |       |
| 4   | 996 505 525 01   | cover                           | /L 02-  | 1   |       |
|     | 01C              | satin black                     |         |     |       |
| (4) | 996 505 526 00   | cover                           | /R -01  | 1   |       |
|     | 01C              | satin black                     |         |     |       |
| (4) | 996 505 526 01   | cover                           | /R 02-  | 1   |       |
|     | 01C              | satin black                     |         |     |       |
| 5   | 996 505 011 00   | bumper reinforcement            | -01     | 1   |       |
| 5   | 996 505 011 05   | bumper reinforcement            | 02-     | 1   |       |
| 7   | 900 378 088 09   | hexagon-head bolt<br>M 12 X 100 |         | 2   |       |
| 8   | A 996 505 019 00 | impact pipe                     | -01     | 2   |       |
| 8   | 996 505 019 01   | impact pipe                     |         | 2   |       |



|       |      |    |    |              |              |        |       |            |         |     |         |
|-------|------|----|----|--------------|--------------|--------|-------|------------|---------|-----|---------|
| Model | Year | MG | SG | Illustration | Restrictions | Update | 11:34 | 25.11.2005 | PORSCHE | PET | PORSCHE |
| 996   | 05   | 8  | 02 | 802-00       |              | 194    |       |            |         |     |         |

| Pos  | Part Number    | Name                                  | Remarks | Qty | Model | Pos  | Part Number    | Name                                     | Remarks | Qty | Model              |
|------|----------------|---------------------------------------|---------|-----|-------|------|----------------|--|---------|-----|--------------------|
| (8)  | 996 505 015 00 | impact absorber                       |         | 2   | M 058 | 21   | 996 701 105 00 | support                                  | -01     | 1   | (BRD) (F) (E) (GB) |
| 9    | 900 075 457 02 | screw<br>M 8 X 30                     |         | 4   |       | 21   | 996 701 105 01 | support                                  | 02-     | 1   | (BRD) (F) (E) (GB) |
| 10   | 996 505 775 00 | desk pad                              |         | 2   |       | 22   | 999 507 040 40 | expander nut<br>4,2                      |         | X   |                    |
| 11 A | 996 505 531 00 | retaining strip                       | -01     | 1   |       | 23   | 900 143 151 02 | screw<br>4,2 X 16                        |         | 2   |                    |
| 11   | 996 505 531 01 | retaining strip<br>centre             |         | 1   |       | 24   | 900 025 024 40 | washer                                   |         | X   |                    |
| 12   | 996 505 539 00 | bracket                               | /L -01  | 1   |       | 25   | 900 143 134 00 | tapping screw<br>B 4,2 X 9,5             |         | X   |                    |
| 12   | 996 505 539 02 | bracket                               | /L 02-  | 1   |       | 27   | 996 701 801 00 | spacer                                   | /L      | 1   |                    |
| (12) | 996 505 540 00 | bracket                               | /R -01  | 1   |       | (27) | 996 701 802 00 | spacer                                   | /R      | 1   |                    |
| (12) | 996 505 540 02 | bracket                               | /R 02-  | 1   |       | 28   | 911 701 121 03 | support                                  |         | 1   |                    |
| -    | 996 505 741 01 | cover                                 | /L 02-  | 1   |       | 30   | 900 145 012 07 | counters. head tapp. screw<br>B 4,2 X 32 |         | 2   |                    |
|      | 01C            | satin black                           |         |     |       | 31   | 999 651 225 40 | safety rope                              |         | 1   |                    |
| -    | 996 505 742 01 | cover                                 | /R 02-  | 1   |       | 32   | 999 591 699 02 | speed nut<br>ST 4,8                      |         | 4   |                    |
|      | 01C            | satin black                           |         |     |       | 34 A | 999 073 198 09 | tapping screw                            |         | 4   |                    |
| 13   | 996 505 535 00 | retaining strip                       | /L -01  | 1   |       | 34   | 999 073 227 09 | shouldered bolt<br>ST 4,8 X 19           |         | 4   |                    |
| 13   | 996 505 535 03 | retaining strip                       | /L 02-  | 1   |       |      |                | - - - E N D - - -                        |         |     |                    |
| (13) | 996 505 536 00 | retaining strip                       | /R -01  | 1   |       |      |                |  |         |     |                    |
| (13) | 996 505 536 03 | retaining strip                       | /R 02-  | 1   |       |      |                |  |         |     |                    |
| 14   | 900 144 101 02 | tapping screw<br>B 4,8 X 19           |         | X   |       |      |                |  |         |     |                    |
| 15   | 999 209 045 09 | spacer                                |         | X   |       |      |                |  |         |     |                    |
| 16   | 999 507 072 02 | speed nut<br>B 4,8                    |         | X   |       |      |                |  |         |     |                    |
| 17   | 999 084 633 09 | hexagon nut<br>M 6                    |         | X   |       |      |                |  |         |     |                    |
| 18   | 996 641 142 00 | temperature sensor                    |         | 1   |       |      |                |  |         |     |                    |
| 19 A | 999 911 606 40 | adhesive tape                         |         | X   |       |      |                |  |         |     |                    |
| 19   | 000 043 204 83 | adhesive tape<br>roller<br>16,5 METER |         | X   |       |      |                |  |         |     |                    |
| 20   | 999 507 497 40 | expansion rivet<br>8 X 14             |         | 2   |       |      |                |  |         |     |                    |

|       |      |    |    |              |              |        |       |            |         |     |         |
|-------|------|----|----|--------------|--------------|--------|-------|------------|---------|-----|---------|
| Model | Year | MG | SG | Illustration | Restrictions | Update | 11:34 | 25.11.2005 | PORSCHE | PET | PORSCHE |
| 996   | 05   | 8  | 02 | 802-02       |              | 194    |       |            |         |     |         |

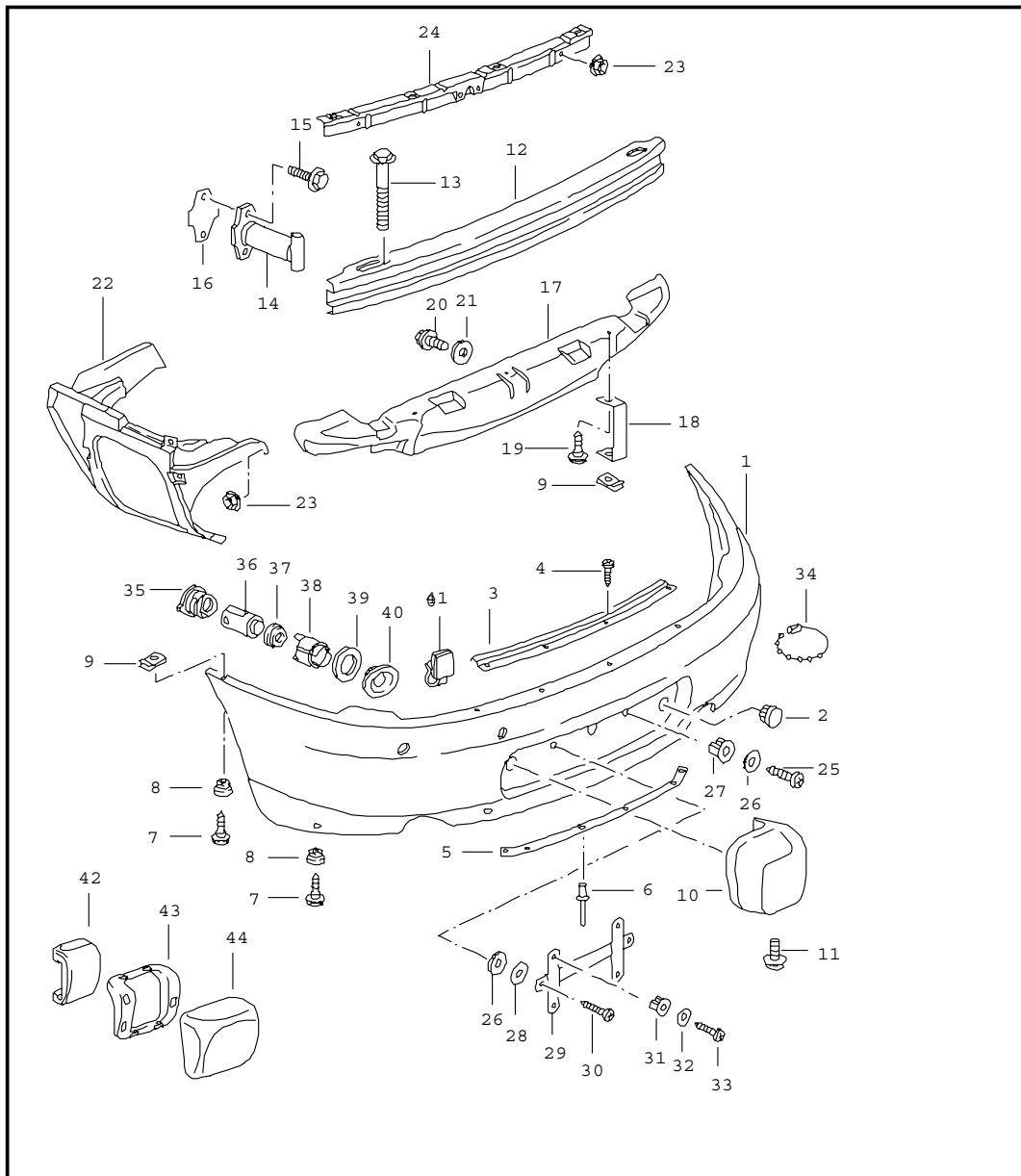


| Pos  | Part Number    | Name            | Remarks | Qty | Model |
|------|----------------|-----------------|---------|-----|-------|
| 1    | 996 505 311 05 | bumper front    |         | 1   | C4S   |
|      | G2X            | lining          |         |     |       |
|      | G2X            | prime coated    |         |     |       |
| 2    | 964 505 103 00 | cap             |         | 1   |       |
|      | G2X            | prime coated    |         |     |       |
| 3    | 999 651 225 40 | safety rope     |         | 1   |       |
| 4    | 996 505 563 00 | air inlet       | /L      | 1   |       |
|      | 01C            | satin black     |         |     |       |
| (4)  | 996 505 564 00 | air inlet       | /R      | 1   |       |
|      | 01C            | satin black     |         |     |       |
| (4)  | 996 505 563 01 | air inlet       | /L      | 1   | M 215 |
|      | 01C            | satin black     |         |     |       |
| (4)  | 996 505 564 01 | air inlet       | /R      | 1   | M 215 |
|      | 01C            | satin black     |         |     |       |
| 4    | 996 505 563 03 | air inlet       | /L      | 1   | M 095 |
|      | M7Z            | silver metallic |         |     |       |
| (4)  | 996 505 564 03 | air inlet       | /R      | 1   | M 095 |
|      | M7Z            | silver metallic |         |     |       |
| 5    | 996 505 561 03 | air inlet       |         | 1   |       |
|      | 01C            | satin black     |         |     |       |
| 6    | 999 507 751 02 | u-clamp         |         | X   |       |
| 7    | 996 505 555 02 | spoiler         |         | 1   |       |
|      | 01C            | satin black     |         |     |       |
| 8    | 996 504 085 00 | air inlet       |         | 1   | M095  |
| 9    | 996 504 627 00 | protective film |         | 2   |       |
| 10   | 996 505 527 00 | buffer          | /L      | 1   | M 215 |
|      | 70C            | rally black     |         |     |       |
| (10) | 996 505 528 00 | buffer          | /R      | 1   | M 215 |
|      | 70C            | rally black     |         |     |       |

|       |      |    |    |              |              |        |       |            |         |     |         |
|-------|------|----|----|--------------|--------------|--------|-------|------------|---------|-----|---------|
| Model | Year | MG | SG | Illustration | Restrictions | Update | 11:34 | 25.11.2005 | PORSCHE | PET | PORSCHE |
| 996   | 05   | 8  | 02 | 802-02       |              | 194    |       |            |         |     |         |

| Pos  | Part Number    | Name                            | Remarks | Qty | Model | Pos  | Part Number    | Name                         | Remarks | Qty | Model |
|------|----------------|---------------------------------|---------|-----|-------|------|----------------|------------------------------|---------|-----|-------|
| 11   | 996 505 533 00 | mounting                        | /L      | 1   | M 215 | 28   | 999 076 048 02 | hexagon nut<br>M 6           |         | 11  |       |
| (11) | 996 505 534 00 | mounting                        | /R      | 1   | M 215 | 29   | 996 701 105 00 | support                      |         | 1   | M 211 |
| 12   | 900 378 158 09 | hexagon-head bolt<br>M 6 X 16   |         | 2   | M 215 | 30   | 999 507 040 40 | expander nut<br>4,2          |         | X   |       |
| 13   | 999 209 044 09 | spacer                          |         | 2   | M 215 | 31   | 999 073 080 02 | tapping screw                |         | X   |       |
| 14   | 996 505 523 00 | desk pad                        | /L      | 1   | M 215 | 32   | 900 025 024 40 | washer                       |         | X   |       |
| (14) | 996 505 524 00 | desk pad                        | /R      | 1   | M 215 | 33   | 900 143 134 00 | tapping screw<br>B 4,2 X 9,5 |         | X   |       |
| 15   | 900 067 148 02 | pan-head screw<br>M 5 X 25      |         | 2   | M 215 | 35   | 996 701 801 00 | spacer                       | /L      | 1   |       |
| 16   | 996 505 539 03 | bracket                         | /L      | 1   |       | (35) | 996 701 802 00 | spacer                       | /R      | 1   |       |
| (16) | 996 505 540 03 | bracket                         | /R      | 1   |       | 36   | 911 701 121 03 | support                      |         | 1   | M 210 |
| 17   | 996 505 741 02 | cover                           | /L      | 1   |       | 38   | 900 144 182 09 | tapping screw<br>B 4,2 X 32  |         | 2   |       |
|      | 01C            | satin black                     |         |     |       | 39   | 996 641 142 00 | temperature sensor           |         | 1   |       |
| (17) | 996 505 742 02 | cover                           | /R      | 1   |       |      |                |                              |         |     |       |
|      | 01C            | satin black                     |         |     |       |      |                |                              |         |     |       |
| 18   | 996 505 011 02 | bumper reinforcement            |         | 1   |       |      |                |                              |         |     |       |
| (18) | 996 505 011 03 | bumper reinforcement            |         | 1   | M 215 |      |                |                              |         |     |       |
| 19   | 900 378 088 09 | hexagon-head bolt<br>M 12 X 100 |         | 2   |       |      |                |                              |         |     |       |
| (20) | 996 505 019 01 | impact pipe                     |         | 2   |       |      |                |                              |         |     |       |
| 20   | 996 505 015 00 | impact absorber                 |         | 2   | M 058 |      |                |                              |         |     |       |
| 21   | 900 075 457 02 | screw<br>M 8 X 30               |         | 4   |       |      |                |                              |         |     |       |
| 22   | 996 505 775 00 | desk pad                        |         | 2   |       |      |                |                              |         |     |       |
| 23   | 996 505 531 01 | retaining strip                 |         | 1   |       |      |                |                              |         |     |       |
| 24   | 996 505 535 03 | retaining strip                 | /L      | 1   |       |      |                |                              |         |     |       |
| (24) | 996 505 536 03 | retaining strip                 | /R      | 1   |       |      |                |                              |         |     |       |
| 25   | 900 144 101 02 | tapping screw<br>ST 4,8 X 19    |         | 9   |       |      |                |                              |         |     |       |
| 26   | 999 209 045 09 | spacer                          |         | 9   |       |      |                |                              |         |     |       |
| 27   | 999 507 072 02 | speed nut<br>ST 4,8             |         | X   |       |      |                |                              |         |     |       |
|      |                |                                 |         |     |       |      |                |                              |         |     |       |

|       |      |    |    |              |              |        |       |            |         |     |         |
|-------|------|----|----|--------------|--------------|--------|-------|------------|---------|-----|---------|
| Model | Year | MG | SG | Illustration | Restrictions | Update | 11:34 | 25.11.2005 | PORSCHE | PET | PORSCHE |
| 996   | 05   | 8  | 02 | 802-05       |              | 194    |       |            |         |     |         |



| Pos  | Part Number      | Name                        | Remarks | Qty | Model        |
|------|------------------|-----------------------------|---------|-----|--------------|
| 1    | 996 505 411 08   | bumper rear                 |         | 1   |              |
|      |                  | lining                      | -01     | 1   |              |
|      |                  | G2X prime coated            |         |     | M 635        |
| (1)  | 996 505 411 12   | lining                      | 02-     | 1   |              |
|      |                  | G2X prime coated            |         |     |              |
| (1)  | 996 505 911 02   | lining                      | 02-     | 1   | M 635        |
|      |                  | G2X prime coated            |         |     |              |
| (1)  | 996 505 411 13   | lining                      | 02-     | 1   | M 215        |
|      |                  | G2X prime coated            |         |     |              |
| (1)  | 996 505 911 04   | lining                      | 02-     | 1   | M 635, M 215 |
|      |                  | G2X prime coated            |         |     |              |
| 2    | 964 505 103 00   | cap                         | -01     | 1   |              |
|      |                  | G2X prime coated            |         |     |              |
| 2    | 996 505 803 00   | cap                         | 02-     | 1   |              |
|      |                  | G2X prime coated            |         |     |              |
| 3    | 996 505 833 00   | retaining strip             |         | 1   |              |
| 4    | 900 144 101 02   | tapping screw B 4,8 X 19    |         | 4   |              |
| 5    | 996 505 837 00   | retaining strip             | -01     | 1   |              |
| (5)  | 996 505 837 02   | retaining strip             | 02-     | 1   |              |
| 6    | 999 190 104 30   | blind rivet 3,2 X 7,9       |         | 4   |              |
| 7    | A 999 073 198 09 | tapping screw               |         | 8   |              |
| 7    | 999 073 227 09   | shouldered bolt ST 4,8 X 19 |         | 8   |              |
| 9    | 999 507 072 02   | speed nut 4,8               |         | 4   |              |
| 10   | 996 505 425 00   | buffer                      | /L -01  | 1   | M 215        |
|      |                  | 70C rally black             |         |     |              |
| (10) | 996 505 426 00   | buffer                      | /R -01  | 1   | M 215        |

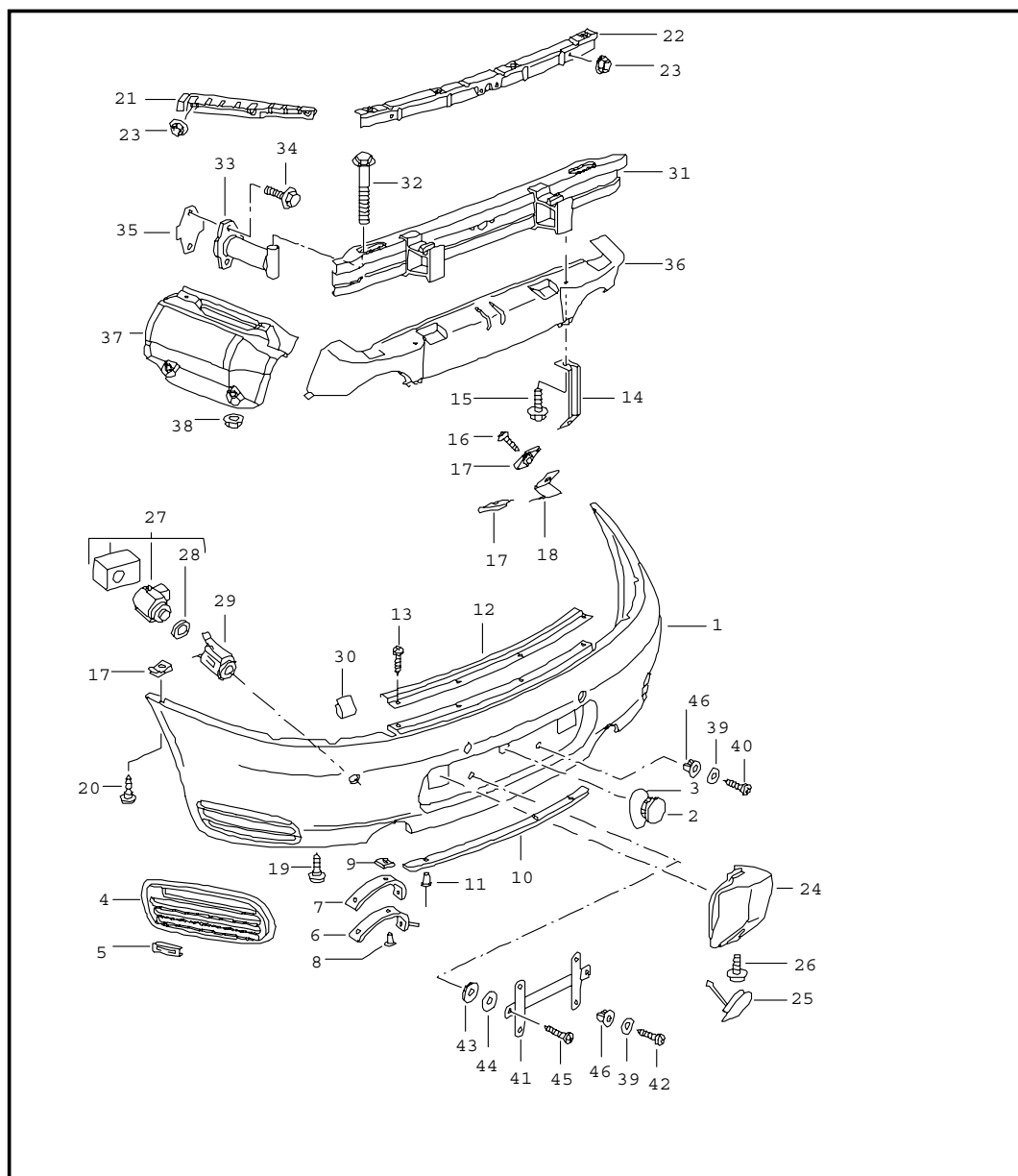
|       |      |    |    |              |              |        |       |            |         |     |         |
|-------|------|----|----|--------------|--------------|--------|-------|------------|---------|-----|---------|
| Model | Year | MG | SG | Illustration | Restrictions | Update | 11:34 | 25.11.2005 | PORSCHE | PET | PORSCHE |
| 996   | 05   | 8  | 02 | 802-05       |              | 194    |       |            |         |     |         |

| Pos  | Part Number    | Name                            | Remarks | Qty | Model | Pos  | Part Number    | Name                    | Remarks | Qty | Model |
|------|----------------|---------------------------------|---------|-----|-------|------|----------------|-------------------------|---------|-----|-------|
|      | 70C            | rally black                     |         |     |       | 27   | 999 507 040 40 | expander nut<br>4,2     |         | 2   |       |
| 12   | 996 505 021 00 | bumper reinforcement            | -01     | 1   |       | 34   | 999 651 225 40 | safety rope             |         | 1   |       |
| (12) | 996 505 021 04 | bumper reinforcement            | 02-     | 1   |       | 35   | 996 505 669 00 | retainer spring         | -01     | 4   | M 635 |
| 13   | 900 378 088 09 | hexagon-head bolt<br>M 12 X 100 |         | 2   |       | 36   | 996 606 171 00 | sensor                  | -01     | 4   | M 635 |
| 14   | 996 505 019 01 | impact pipe                     |         | 2   |       |      | 9A4            | titanium metallic       |         |     |       |
| (14) | 996 505 015 00 | impact absorber                 |         | 2   | M 058 | (36) | 000 043 204 56 | sensor                  | 02-     | 4   | M 635 |
| 15   | 900 075 457 02 | hexagon-head bolt<br>M 8 X 30   |         | 4   |       | 37   | 996 606 471 00 | ring                    | -01     | 4   | M 635 |
| 16   | 993 505 775 00 | seal                            |         | 2   |       | (37) | 996 606 473 00 | ring                    | 02-     | 4   | M 635 |
| 17   | 996 505 475 00 | heat protection                 | -01     | 1   |       | 38   | 996 505 865 00 | housing                 | -01     | 4   | M 635 |
| (17) | 996 505 475 02 | heat protection                 | 02-     | 1   |       | (38) | 996 505 885 01 | housing                 | 02-     | 2   | M 635 |
| 18   | 996 505 639 00 | rear support                    | -01     | 2   |       |      | G2X            | prime coated<br>inner   |         |     |       |
| 18   | 996 505 639 02 | rear support                    | 02-     | 2   |       | (38) | 996 505 887 01 | housing                 | 02-     | 2   | M 635 |
| 19   | 999 075 048 02 | screw<br>M 6 X 22               |         | 2   |       |      | G2X            | prime coated<br>outer   |         |     |       |
| 20   | 900 278 025 02 | hexagon-head bolt<br>M 5 X 12   |         | 1   |       | 39   | 999 025 262 02 | washer<br>35 X 50 X 0,5 | -01     | 4   | M 635 |
| 21   | 999 025 243 02 | spacer                          |         | 1   |       | 40   | 996 505 859 00 | cover                   | /L -01  | 1   | M 635 |
| (22) | 996 505 631 00 | retaining frame                 | /L -01  | 1   |       |      | G2X            | prime coated<br>inner   |         |     |       |
| (22) | 996 505 631 01 | retaining frame                 | /L 02-  | 1   |       | (40) | 996 505 860 00 | cover                   | /R -01  | 1   | M 635 |
| (22) | 996 505 631 02 | retaining frame                 | /L 02-  | 1   | C4S   |      | G2X            | prime coated<br>inner   |         |     |       |
| 22   | 996 505 632 00 | retaining frame                 | /R -01  | 1   |       | (40) | 996 505 861 00 | cover                   | /L -01  | 1   | M 635 |
| 22   | 996 505 632 01 | retaining frame                 | /R 02-  | 1   |       |      | G2X            | prime coated<br>outer   |         |     |       |
| 22   | 996 505 632 02 | retaining frame                 | /R 02-  | 1   | C4S   | (40) | 996 505 862 00 | cover                   | /R -01  | 1   | M 635 |
| 23   | 999 084 633 09 | hexagon nut<br>M 6              |         | 13  |       |      | G2X            | prime coated<br>outer   |         |     |       |
| 24   | 996 505 831 00 | retaining strip<br>centre       |         | 1   |       | 41   | 999 507 623 40 | cable holder            |         | 4   | M 635 |
| 25   | 900 143 151 02 | screw<br>B 4,2 X 16             |         | 2   |       | 42   | 996 505 845 00 | buffer                  | /L 02-  | 1   | M 215 |
| 26   | 999 025 235 40 | rubber washer                   |         | X   |       | (42) | 996 505 846 00 | buffer                  | /R 02-  | 1   | M 215 |

|       |      |    |    |              |              |        |       |            |         |     |         |
|-------|------|----|----|--------------|--------------|--------|-------|------------|---------|-----|---------|
| Model | Year | MG | SG | Illustration | Restrictions | Update | 11:34 | 25.11.2005 | PORSCHE | PET | PORSCHE |
| 996   | 05   | 8  | 02 | 802-05       |              | 194    |       |            |         |     |         |

| Pos  | Part Number    | Name              | Remarks | Qty | Model | Pos | Part Number | Name | Remarks | Qty | Model |
|------|----------------|-------------------|---------|-----|-------|-----|-------------|------|---------|-----|-------|
| 43   | 996 505 645 00 | support frame     | /L 02-  | 1   | M 215 |     |             |      |         |     |       |
| (43) | 996 505 646 00 | support frame     | /R 02-  | 1   | M 215 |     |             |      |         |     |       |
| 44   | 996 505 625 00 | lining            | /L 02-  | 1   | M 215 |     |             |      |         |     |       |
|      | G2X            | prime coated      |         |     |       |     |             |      |         |     |       |
| (44) | 996 505 626 00 | lining            | /R 02-  | 1   | M 215 |     |             |      |         |     |       |
|      | G2X            | prime coated      |         |     |       |     |             |      |         |     |       |
|      |                | - - - E N D - - - |         |     |       |     |             |      |         |     |       |

|       |      |    |    |              |              |        |       |            |         |     |         |
|-------|------|----|----|--------------|--------------|--------|-------|------------|---------|-----|---------|
| Model | Year | MG | SG | Illustration | Restrictions | Update | 11:35 | 25.11.2005 | PORSCHE | PET | PORSCHE |
| 996   | 05   | 8  | 02 | 802-07       |              | 194    |       |            |         |     |         |



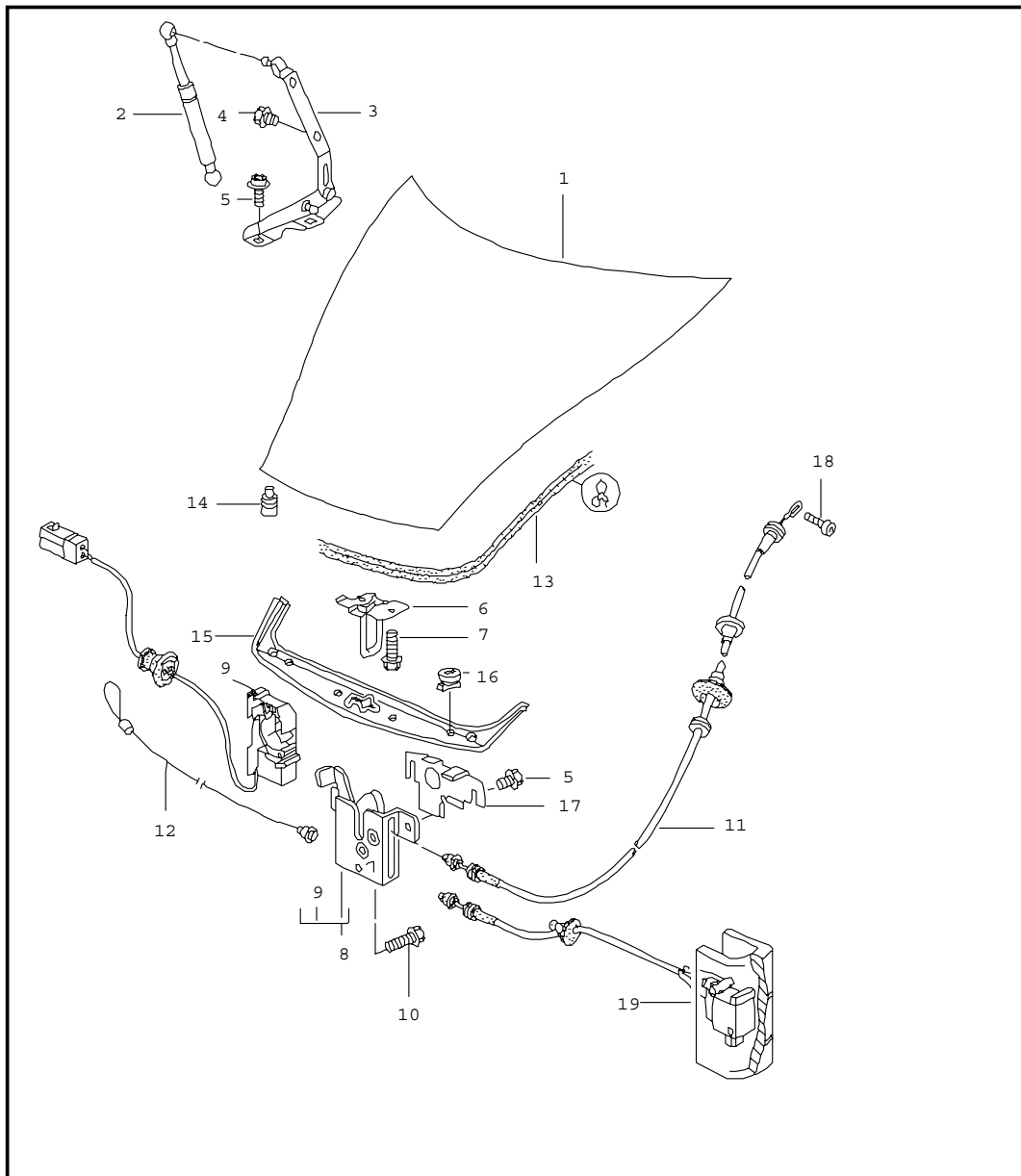
| Pos | Part Number    | Name                         | Remarks | Qty | Model |
|-----|----------------|------------------------------|---------|-----|-------|
| 1   | 996 505 411 16 | bumper rear                  |         | 1   | C4S   |
|     | G2X            | prime coated                 |         |     |       |
| (1) | 996 505 911 00 | lining                       |         | 1   | M 635 |
|     | G2X            | prime coated                 |         |     |       |
| 2   | 964 505 103 00 | cap                          |         | 1   |       |
|     | G2X            | prime coated                 |         |     |       |
| 3   | 999 651 225 40 | safety rope                  |         | 1   |       |
| 4   | 996 505 663 01 | ventilation grille           | /L      | 1   |       |
|     | 01C            | satin black                  |         |     |       |
| (4) | 996 505 664 01 | ventilation grille           | /R      | 1   |       |
|     | 01C            | satin black                  |         |     |       |
| 5   | 999 507 696 00 | u-clamp                      |         | 24  |       |
| 6   | 996 505 611 02 | cover                        | /L      | 1   |       |
| (6) | 996 505 612 02 | cover                        | /R      | 1   |       |
| 7   | 996 505 621 00 | cover plate                  | /L      | 1   |       |
| (7) | 996 505 622 00 | cover plate                  | /R      | 1   |       |
| 8   | 900 056 001 30 | rivet<br>4 X 12              |         | 4   |       |
| 9   | 999 166 051 08 | clamping washer<br>4,0       |         | 6   |       |
| 10  | 996 505 837 03 | retaining strip              |         | 1   |       |
| 11  | 999 190 104 30 | blind rivet<br>A 3,2 X 7,9   |         | 4   |       |
| 12  | 996 505 833 02 | rail                         |         | 1   |       |
| 13  | 900 144 101 02 | tapping screw<br>ST 4,8 X 19 |         | 4   |       |
| 14  | 996 505 639 03 | rear support                 |         | 2   |       |
| 15  | 999 075 056 09 | screw<br>M 6 X 22            |         | 2   |       |
| 16  | N 906 487 02   | tapping screw<br>ST 4,8 X 16 |         | 2   |       |

|       |      |    |    |              |              |        |       |            |         |     |         |
|-------|------|----|----|--------------|--------------|--------|-------|------------|---------|-----|---------|
| Model | Year | MG | SG | Illustration | Restrictions | Update | 11:35 | 25.11.2005 | PORSCHE | PET | PORSCHE |
| 996   | 05   | 8  | 02 | 802-07       |              | 194    |       |            |         |     |         |

| Pos  | Part Number    | Name                            | Remarks | Qty | Model | Pos  | Part Number    | Name                          | Remarks | Qty | Model |
|------|----------------|---------------------------------|---------|-----|-------|------|----------------|-------------------------------|---------|-----|-------|
| 17   | 999 507 072 02 | speed nut<br>ST 4,8             |         | X   |       | 33   | 996 505 019 01 | impact pipe                   |         | 2   |       |
| 18   | 996 505 649 00 | bracket                         |         | 2   |       | (33) | 996 505 015 00 | impact absorber               |         | 2   | M 058 |
| 19   | 999 073 062 02 | tapping screw<br>ST 4,8 X 19    |         | 2   |       | 34   | 900 075 457 02 | hexagon-head bolt<br>M 8 X 30 |         | 4   |       |
| 20   | 999 073 227 09 | tapping screw<br>ST 4,8 X 19    |         | 6   |       | 35   | 993 505 775 00 | seal                          |         | 2   |       |
| 21   | 996 505 635 00 | retaining strip                 | /L      | 1   |       | 36   | 996 505 475 04 | heat protection               |         | 1   |       |
| (21) | 996 505 636 00 | retaining strip                 | /R      | 1   |       | 37   | 996 505 477 00 | heat protection               | /L      | 1   |       |
| 22   | 996 505 831 00 | retaining strip<br>centre       |         | 1   |       | (37) | 996 505 478 00 | heat protection               | /R      | 1   |       |
| 23   | 999 076 048 02 | hexagon nut<br>M 6              |         | 9   |       | 38   | 999 049 025 09 | collar nut                    |         | 12  |       |
| 24   | 996 505 425 01 | buffer                          | /L      | 1   | M 215 | 39   | 900 025 024 40 | washer                        |         | X   |       |
|      | 70C            | rally black                     |         |     |       | 40   | 999 073 080 02 | tapping screw<br>ST 4,2 X 16  |         | X   |       |
| (24) | 996 505 426 01 | buffer                          | /R      | 1   | M 215 | 43   | 999 025 235 40 | rubber washer                 |         | X   |       |
|      | 70C            | rally black                     |         |     |       | 46   | 999 507 040 40 | expander nut<br>ST 4,2        |         | X   |       |
| 25   | 996 505 403 00 | cover                           |         | 2   | M 215 |      |                | - - - E N D - - -             |         |     |       |
|      | 70C            | rally black                     |         |     |       |      |                |                               |         |     |       |
| 26   | 900 067 271 09 | screw                           |         | 2   | M 215 |      |                |                               |         |     |       |
| 27   | 000 043 204 56 | sensor                          |         | 4   | M 635 |      |                |                               |         |     |       |
| 28   | 996 606 473 00 | ring                            |         | 4   | M 635 |      |                |                               |         |     |       |
| 29   | 996 505 885 00 | housing                         |         | 2   | M 635 |      |                |                               |         |     |       |
|      | G2X            | prime coated<br>inner           |         |     |       |      |                |                               |         |     |       |
| (29) | 996 505 887 00 | housing                         |         | 2   | M 635 |      |                |                               |         |     |       |
|      | G2X            | prime coated<br>outer           |         |     |       |      |                |                               |         |     |       |
| 30   | 999 507 623 40 | cable holder                    |         | 4   |       |      |                |                               |         |     |       |
| 31   | 996 505 021 02 | bumper reinforcement            |         | 1   |       |      |                |                               |         |     |       |
| (31) | 996 505 021 03 | bumper reinforcement            |         | 1   | M 215 |      |                |                               |         |     |       |
| 32   | 900 378 088 09 | hexagon-head bolt<br>M 12 X 100 |         | 2   |       |      |                |                               |         |     |       |



|       |      |    |    |              |              |        |       |            |         |     |         |
|-------|------|----|----|--------------|--------------|--------|-------|------------|---------|-----|---------|
| Model | Year | MG | SG | Illustration | Restrictions | Update | 11:35 | 25.11.2005 | PORSCHE | PET | PORSCHE |
| 996   | 05   | 8  | 03 | 803-00       |              | 194    |       |            |         |     |         |

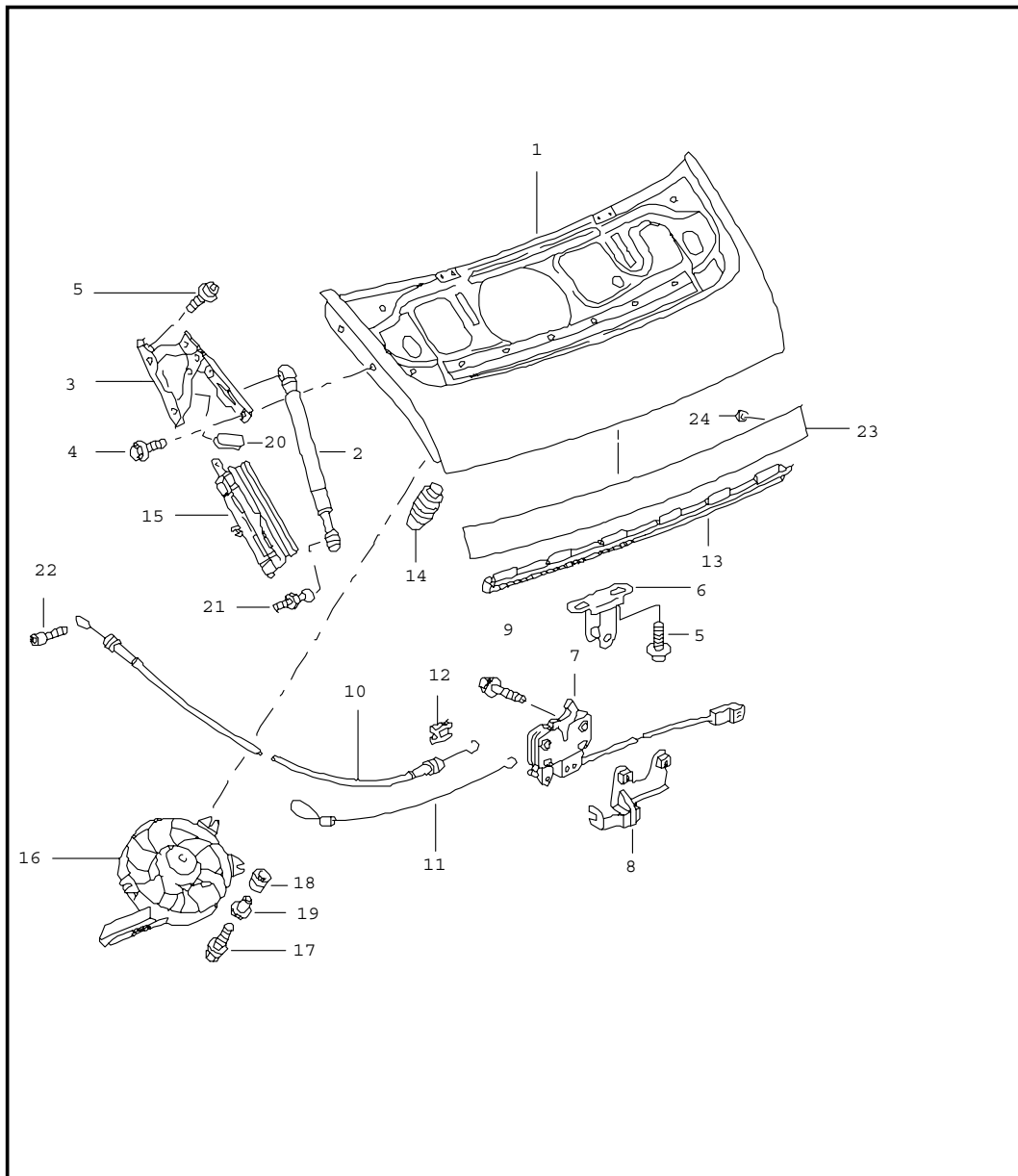


| Pos  | Part Number    | Name                          | Remarks | Qty | Model |
|------|----------------|-------------------------------|---------|-----|-------|
| 1    | 996 511 011 02 | cover front                   |         | 1   |       |
|      | GRV            | prime coated                  |         |     |       |
|      |                | use also:                     |         |     |       |
| -    | 000 043 204 38 | sealing material              |         | 1   |       |
| 2    | 996 511 551 01 | gas-filled strut              |         | 2   |       |
| 3    | 996 511 151 01 | hinge                         | /L      | 1   |       |
| (3)  | 996 511 152 01 | hinge                         | /R      | 1   |       |
| 4    | 900 378 036 09 | hexagon-head bolt<br>M 6 X 12 |         | 4   |       |
| 5    | 900 075 466 09 | screw<br>M 6 X 16             |         | 6   |       |
| 6    | 996 511 051 02 | lock upper part               |         | 1   |       |
| 7    | 900 378 173 09 | hexagon-head bolt<br>M 6 X 20 |         | 2   |       |
| 8 A  | 996 511 053 01 | lock lower part               | -01     | 1   |       |
| 8    | 996 511 053 02 | lock lower part               |         | 1   |       |
| 9    | 996 613 206 00 | microswitch                   |         | 1   |       |
| 10   | 900 075 347 02 | screw<br>M 6 X 28             |         | 1   |       |
| 11   | 996 511 017 01 | traction                      | /LL -00 | 1   |       |
| (11) | 996 511 018 00 | traction                      | /RL -00 | 1   |       |
| 12   | 996 511 521 00 | emergency operation           |         | 1   |       |
| 13   | 996 511 611 00 | gasket                        |         | 1   |       |
| 14   | 999 703 140 40 | buffer                        |         | 2   |       |
| 15   | 996 504 811 00 | trim                          | -01     | 1   |       |
|      | 01C            | satin black                   |         |     |       |
| 15   | 996 504 811 02 | trim                          | 02-     | 1   |       |
|      | 01C            | satin black                   |         |     |       |
| 16   | 999 590 036 40 | catch                         |         | 4   |       |
|      | 01C            | satin black                   |         |     |       |

|       |      |    |    |              |              |        |       |            |         |     |         |
|-------|------|----|----|--------------|--------------|--------|-------|------------|---------|-----|---------|
| Model | Year | MG | SG | Illustration | Restrictions | Update | 11:35 | 25.11.2005 | PORSCHE | PET | PORSCHE |
| 996   | 05   | 8  | 03 | 803-00       |              | 194    |       |            |         |     |         |

| Pos | Part Number    | Name                       | Remarks | Qty | Model | Pos | Part Number | Name | Remarks | Qty | Model |
|-----|----------------|----------------------------|---------|-----|-------|-----|-------------|------|---------|-----|-------|
| 17  | 996 511 653 00 | cover                      |         | 1   |       |     |             |      |         |     |       |
| 18  | 900 119 121 09 | pan-head screw<br>M 4 X 14 |         | 1   |       |     |             |      |         |     |       |
| 19  | 996 511 127 00 | actuator                   | 01-     | 1   |       |     |             |      |         |     |       |
|     |                | - - - E N D - - -          |         |     |       |     |             |      |         |     |       |

|       |      |    |    |              |              |        |       |            |         |     |         |
|-------|------|----|----|--------------|--------------|--------|-------|------------|---------|-----|---------|
| Model | Year | MG | SG | Illustration | Restrictions | Update | 11:35 | 25.11.2005 | PORSCHE | PET | PORSCHE |
| 996   | 05   | 8  | 03 | 803-05       |              | 194    |       |            |         |     |         |

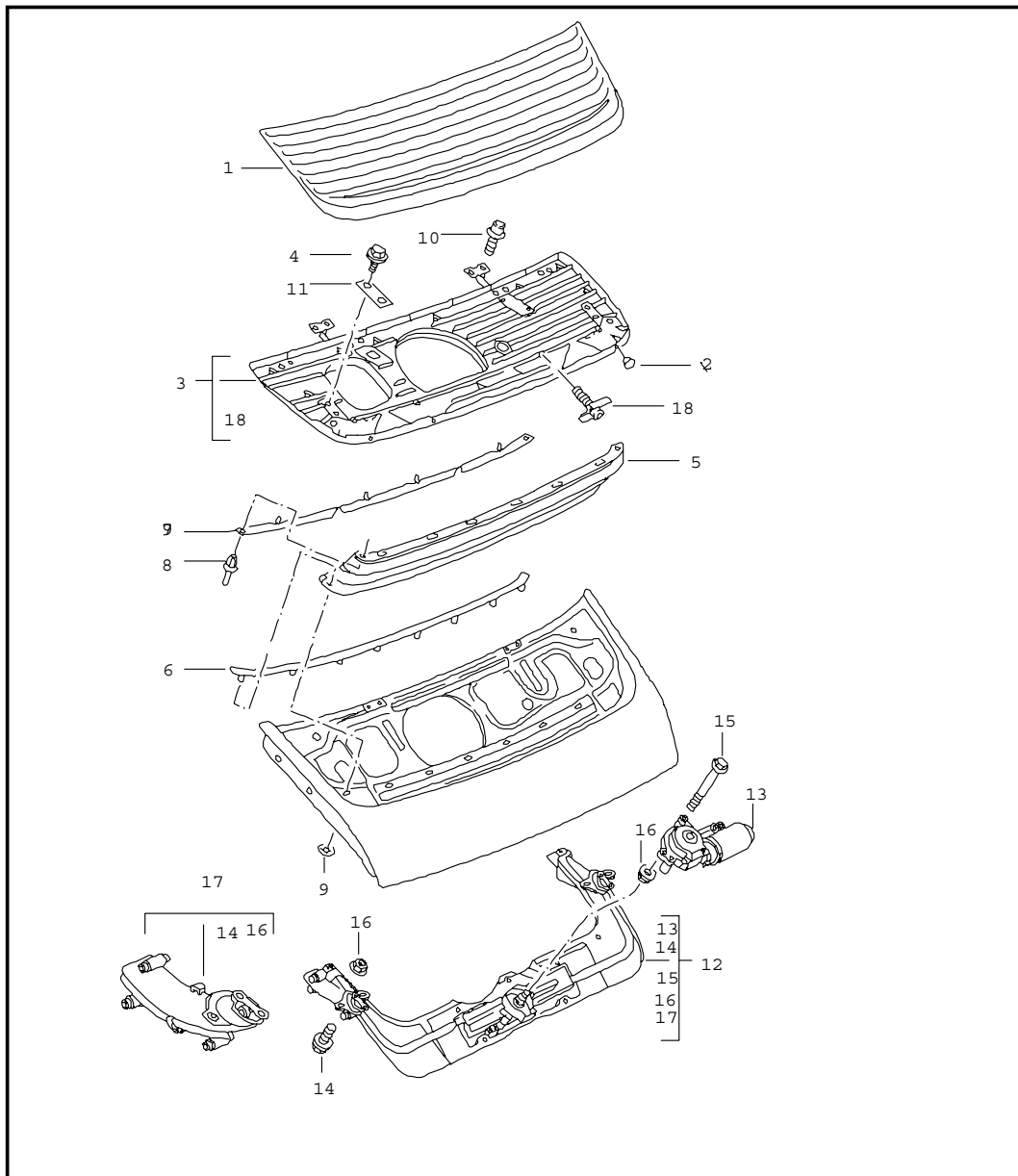


| Pos | Part Number    | Name   | Remarks | Qty | Model        |
|-----|----------------|--|---------|-----|--------------|
| 1   | 996 512 011 01 | cover rear   |         | 1   |              |
|     | GRV            | prime coated   |         |     |              |
|     |                | use also:  |         |     |              |
| -   | 000 043 204 38 | sealing material   |         | 1   |              |
| (1) | 996 512 221 01 | cover  |         | 1   | C4S COUPE    |
|     | G2X            | prime coated   |         |     |              |
| (1) | 996 512 221 02 | cover  |         | 1   | C4S_CABRIO   |
|     | G2X            | prime coated   |         |     |              |
| 2   | 996 512 551 03 | gas-filled strut   | /R      | 1   |              |
| 2   | 996 512 551 04 | gas-filled strut   |         | 2   | C4S COUPE    |
| 2   | 996 512 551 05 | gas-filled strut<br>see technical information<br>group 5<br>3/97 |         | 2   | C4S CABRIO   |
| 3   | 996 512 151 01 | hinge  | /L      | 1   |              |
| 3   | 996 512 151 03 | hinge  | /L      | 1   | C4S          |
| (3) | 996 512 152 01 | hinge  | /R      | 1   |              |
| (3) | 996 512 152 03 | hinge  | /R      | 1   | C4S          |
| 4   | 900 378 155 09 | hexagon-head bolt<br>M 6 X 16                                    |         | 4   |              |
| 5   | 900 075 466 09 | screw<br>M 6 X 16  |         | 6   |              |
| 6 A | 993 512 213 00 | lock upper part  | -00     | 1   |              |
| 6   | 996 512 213 00 | lock upper part  |         | 1   |              |
| (7) | 996 512 053 01 | lock lower part<br>F >>99WS6 00563                               |         | 1   |              |
| 7   | 996 512 053 03 | lock lower part<br>F 99WS6 00564>>                               |         | 1   |              |
| (8) | 996 512 753 02 | plate<br>F >>99WS6 00563   |         | 1   |              |
| 8   | 996 512 753 03 | plate<br>F 99WS6 00564>>   |         | 1   |              |
| (8) | 996 512 055 00 | actuator   |         | 1   | M 534, M 535 |

|       |      |    |    |              |              |        |       |            |         |     |         |
|-------|------|----|----|--------------|--------------|--------|-------|------------|---------|-----|---------|
| Model | Year | MG | SG | Illustration | Restrictions | Update | 11:35 | 25.11.2005 | PORSCHE | PET | PORSCHE |
| 996   | 05   | 8  | 03 | 803-05       |              | 194    |       |            |         |     |         |

| Pos  | Part Number    | Name                          | Remarks | Qty | Model | Pos | Part Number | Name | Remarks | Qty | Model |
|------|----------------|-------------------------------|---------|-----|-------|-----|-------------|------|---------|-----|-------|
| 9    | 900 378 168 09 | hexagon-head bolt<br>M 6 X 30 |         | 2   |       |     |             |      |         |     |       |
| 10   | 996 512 017 00 | traction                      | /LL     | 1   |       |     |             |      |         |     |       |
| (10) | 996 512 018 00 | traction                      | /RL     | 1   |       |     |             |      |         |     |       |
| 11   | 996 512 521 00 | emergency operation           |         | 1   |       |     |             |      |         |     |       |
| 12   | 999 166 054 02 | sl-lock                       | -00     | 1   |       |     |             |      |         |     |       |
| (12) | 900 116 002 02 | lock washer                   | 01-     | 1   |       |     |             |      |         |     |       |
| 13   | 996 512 611 00 | gasket                        |         | 1   |       |     |             |      |         |     |       |
| 13   | 996 512 611 01 | gasket                        |         | 1   | C4S   |     |             |      |         |     |       |
| -    | 000 043 157 00 | cleaning agents<br>30 ML      |         | X   |       |     |             |      |         |     |       |
| 14   | 999 703 140 40 | buffer                        |         | 2   |       |     |             |      |         |     |       |
| 15   | 996 610 230 00 | cable holder                  |         | 1   |       |     |             |      |         |     |       |
| 16   | 996 624 036 04 | blower                        |         | 1   |       |     |             |      |         |     |       |
| 17   | 900 378 030 09 | hexagon-head bolt<br>M 6 X 20 |         | 3   |       |     |             |      |         |     |       |
| 18   | 999 703 451 40 | rubber sleeve                 |         | 3   |       |     |             |      |         |     |       |
| 19   | 999 209 049 02 | spacer sleeve                 |         | 3   |       |     |             |      |         |     |       |
| 20   | 996 512 153 00 | stop                          |         | 2   |       |     |             |      |         |     |       |
| 21   | 999 167 049 02 | ball pin<br>M 6               |         | 1   |       |     |             |      |         |     |       |
| (21) | 999 167 042 02 | ball pin<br>M 8               |         | 1   |       |     |             |      |         |     |       |
| 22   | 900 119 121 09 | pan-head screw<br>M 4 X 14    |         | 1   |       |     |             |      |         |     |       |
| 23   | 996 512 259 00 | reflector cover               |         | 1   | C4S   |     |             |      |         |     |       |
| 24   | 996 512 671 00 | clamping nut                  |         | 13  | C4S   |     |             |      |         |     |       |
| -    | 999 919 713 09 | oval-head screw<br>M 5 X 10   |         | 13  | C4S   |     |             |      |         |     |       |
|      |                | - - - E N D - - -             |         |     |       |     |             |      |         |     |       |

|       |      |    |    |              |              |        |       |            |         |     |         |
|-------|------|----|----|--------------|--------------|--------|-------|------------|---------|-----|---------|
| Model | Year | MG | SG | Illustration | Restrictions | Update | 11:35 | 25.11.2005 | PORSCHE | PET | PORSCHE |
| 996   | 05   | 8  | 03 | 803-07       |              | 194    |       |            |         |     |         |

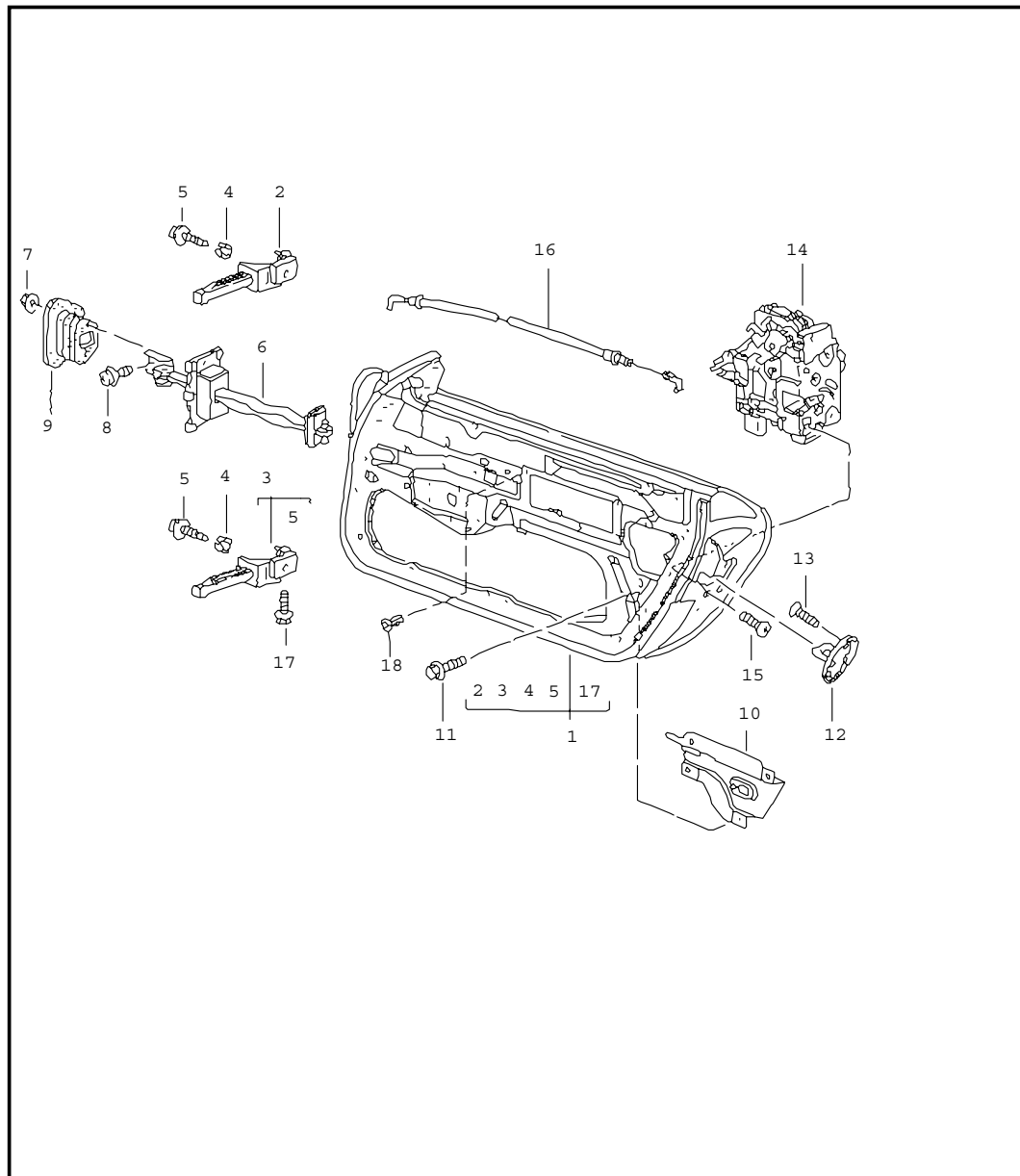


| Pos    | Part Number    | Name                    | Remarks | Qty | Model |
|--------|----------------|-------------------------|---------|-----|-------|
| 1      | 996 512 240 01 | rear spoiler            |         | 1   |       |
|        | G2X            | spoiler                 |         |     |       |
|        |                | prime coated upper part |         |     |       |
| 2      | 996 512 212 00 | plug                    |         | 4   |       |
| 3      | 996 512 205 01 | spoiler lower part      |         | 1   |       |
| -      | 999 703 488 40 | buffer                  |         | 2   |       |
|        |                | 5,9 X 11,5 X 16         |         |     |       |
| 4      | 900 075 008 09 | hexagon-head bolt       |         | 4   |       |
|        |                | M 6 X 8                 |         |     |       |
| 5      | 996 512 250 00 | rear wall               |         | 1   |       |
| 6      | 996 512 163 00 | rail lower              |         | 1   |       |
| 7      | 996 512 164 00 | rail upper              |         | 1   |       |
| 8      | 999 591 712 40 | expansion rivet         |         | 2   |       |
|        |                | 6,0 X 12,0              |         |     |       |
| 9      | 999 591 974 07 | clamping washer         |         | 8   |       |
|        |                | 5,0                     |         |     |       |
| 10     | 900 067 380 09 | pan-head screw          |         | 4   |       |
|        |                | M 6 X 18                |         |     |       |
| 11     | 996 512 757 00 | desk pad                |         | 2   |       |
| 12 A   | 996 512 109 00 | driving mechanism       |         | 1   |       |
| 12     | 996 512 109 04 | driving mechanism       |         | 1   |       |
| (12) A | 996 512 109 02 | driving mechanism       |         | 1   | C4S   |
| (12)   | 996 512 109 06 | driving mechanism       |         | 1   | C4S   |
| 13     | 996 624 151 00 | electric motor          |         | 1   |       |
| 14     | 900 067 273 09 | pan-head screw          |         | 10  |       |
|        |                | M 6 X 16                |         |     |       |
| 15     | 900 074 364 02 | hexagon-head bolt       |         | 3   |       |
|        |                | M 5 X 55                |         |     |       |
|        |                | micro-self-locking      |         |     |       |
| 16     | 900 377 009 02 | hexagon nut             |         | 3   |       |
|        |                | M 5                     |         |     |       |
| 17     | 996 512 911 00 | hinge                   |         | 2   |       |

|       |      |    |    |              |              |        |       |            |         |     |         |
|-------|------|----|----|--------------|--------------|--------|-------|------------|---------|-----|---------|
| Model | Year | MG | SG | Illustration | Restrictions | Update |       |            |         |     |         |
| 996   | 05   | 8  | 03 | 803-07       |              | 194    | 11:35 | 25.11.2005 | PORSCHE | PET | PORSCHE |

| Pos | Part Number    | Name              | Remarks | Qty | Model | Pos | Part Number | Name | Remarks | Qty | Model |
|-----|----------------|-------------------|---------|-----|-------|-----|-------------|------|---------|-----|-------|
| 17  | 996 512 911 01 | hinge             |         | 2   | C4S   |     |             |      |         |     |       |
| 18  | 996 512 255 01 | support           |         | 4   |       |     |             |      |         |     |       |
|     |                | - - - E N D - - - |         |     |       |     |             |      |         |     |       |

|       |      |    |    |              |              |        |       |            |         |     |         |
|-------|------|----|----|--------------|--------------|--------|-------|------------|---------|-----|---------|
| Model | Year | MG | SG | Illustration | Restrictions | Update | 11:35 | 25.11.2005 | PORSCHE | PET | PORSCHE |
| 996   | 05   | 8  | 04 | 804-00       |              | 194    |       |            |         |     |         |



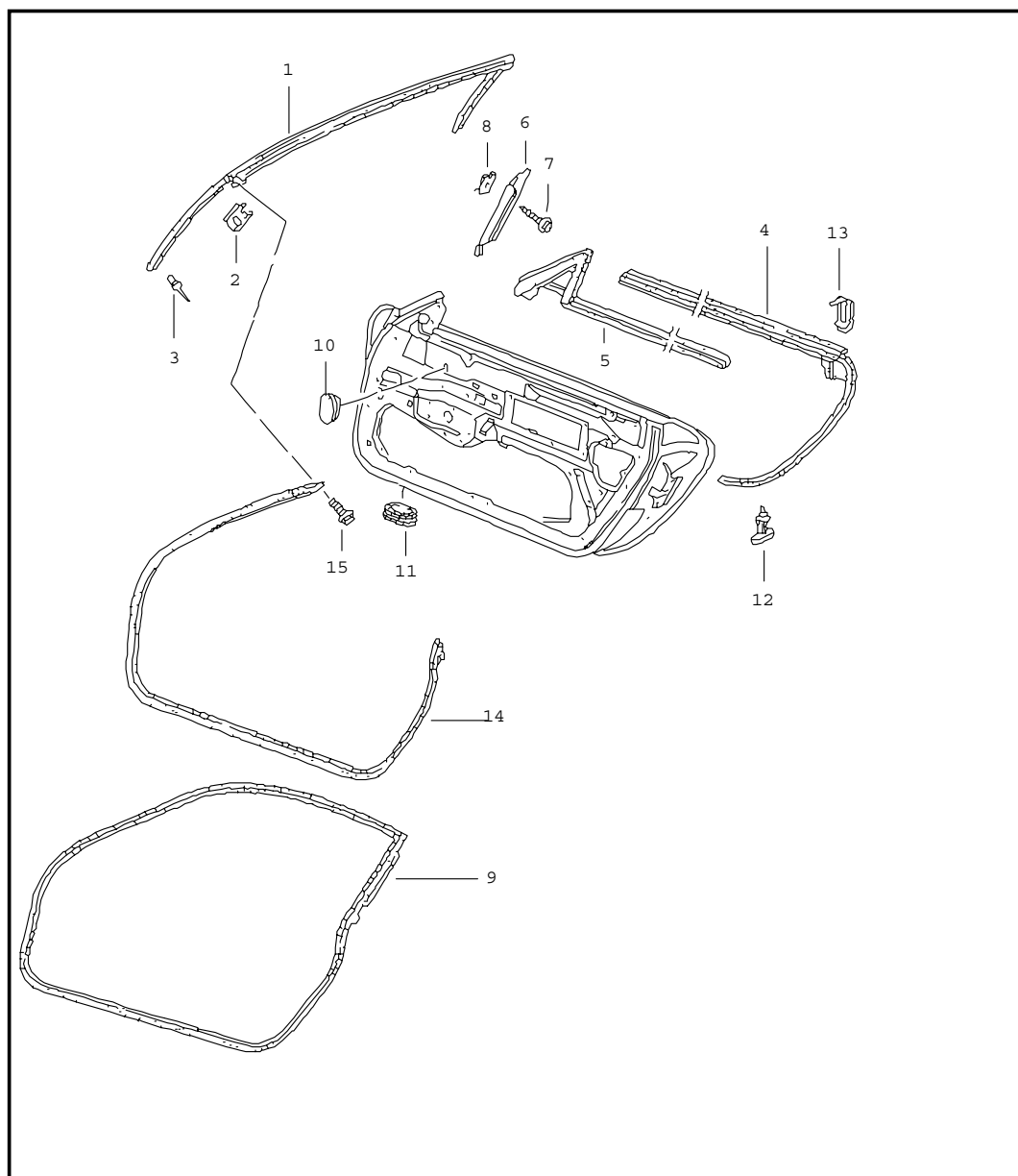
| Pos   | Part Number    | Name  | Remarks | Qty | Model |
|-------|----------------|---|---------|-----|-------|
|       |                | door in white<br>installation parts<br>door lock                                    |         |     |       |
| (1) A | 996 531 011 04 | door in white   | /L      | 1   |       |
|       | GRV            | prime coated<br>use also:<br>POS.17<br>see technical information<br>group 5<br>5/00 |         |     |       |
| (1)   | 996 531 011 05 | door in white   | /L      | 1   |       |
|       | GRV            | prime coated<br>use also:<br>POS.17<br>see technical information<br>group 5<br>5/00 |         |     |       |
| 1 A   | 996 531 012 04 | door in white   | /R      | 1   |       |
|       | GRV            | prime coated<br>use also:<br>POS.17<br>see technical information<br>group 5<br>5/00 |         |     |       |
| 1     | 996 531 012 05 | door in white   | /R      | 1   |       |
|       | GRV            | prime coated<br>use also:<br>POS.17<br>see technical information<br>group 5<br>5/00 |         |     |       |
| -     | 000 043 204 38 | sealing material  |         | 1   |       |
| (2)   | 996 531 321 04 | hinge   | /L      | 1   |       |
| 2     | 996 531 322 04 | hinge   | /R      | 1   |       |
| (3)   | 996 531 319 03 | hinge   | /L      | 1   |       |
| 3     | 996 531 320 03 | hinge   | /R      | 1   |       |
| 4     | 996 531 831 00 | sleeve  |         | 4   |       |
| 5     | 999 073 192 02 | pan-head screw<br>M 8 X 33  |         | 2   |       |
| 6     | 996 537 151 02 | door arrester   |         | 2   |       |

|       |      |    |    |              |              |        |       |            |         |     |         |
|-------|------|----|----|--------------|--------------|--------|-------|------------|---------|-----|---------|
| Model | Year | MG | SG | Illustration | Restrictions | Update | 11:35 | 25.11.2005 | PORSCHE | PET | PORSCHE |
| 996   | 05   | 8  | 04 | 804-00       |              | 194    |       |            |         |     |         |

| Pos    | Part Number    | Name   | Remarks  | Qty | Model       | Pos | Part Number | Name              | Remarks | Qty | Model |
|--------|----------------|--|----------|-----|-------------|-----|-------------|-------------------|---------|-----|-------|
| 7      | 999 084 212 02 | nut<br>M 6   |          | 4   |             |     |             | - - - E N D - - - |         |     |       |
| 8      | 999 073 138 09 | screw<br>M 8 X 25  |          | 2   |             |     |             |                   |         |     |       |
| 9      | 996 537 751 00 | seal   |          | 2   |             |     |             |                   |         |     |       |
| (10)   | 996 537 523 00 | bracket  | /L       | 1   |             |     |             |                   |         |     |       |
|        | GRV            | prime coated   |          |     |             |     |             |                   |         |     |       |
| 10     | 996 537 524 00 | bracket  | /R       | 1   |             |     |             |                   |         |     |       |
|        | GRV            | prime coated   |          |     |             |     |             |                   |         |     |       |
| 11     | 900 075 487 09 | screw<br>M 6 X 16  |          | 10  |             |     |             |                   |         |     |       |
| 12     | 3B0 837 033 P  | end plate  |          | 2   |             |     |             |                   |         |     |       |
| 13     | N 907 985 02   | countersunk-head screw<br>M 8 X 16,5                         |          | 4   |             |     |             |                   |         |     |       |
| (14) A | 8N1 837 015    | door lock  | /LL/L-01 | 1   |             |     |             |                   |         |     |       |
| (14)   | 8N1 837 015 B  | door lock  | /LL/L    | 1   |             |     |             |                   |         |     |       |
| 14 A   | 8N1 837 016    | door lock  | /LL/R-01 | 1   |             |     |             |                   |         |     |       |
| 14     | 8N1 837 016 B  | door lock  | /LL/R    | 1   |             |     |             |                   |         |     |       |
| (14)   | 3B1 837 016 M  | door lock  | /LL/R    | 1   | M 534/M 535 |     |             |                   |         |     |       |
| (14) A | 8N2 837 015    | door lock  | /RL/L-01 | 1   |             |     |             |                   |         |     |       |
| (14)   | 8N2 837 015 B  | door lock  | /RL/L    | 1   |             |     |             |                   |         |     |       |
| (14)   | 3B2 837 015 F  | door lock  | /RL/L    | 1   | M 534/M 535 |     |             |                   |         |     |       |
| (14) A | 8N2 837 016 B  | door lock  | /RL/R-01 | 1   |             |     |             |                   |         |     |       |
| (14)   | 8N2 837 016 B  | door lock  | /RL/R    | 1   |             |     |             |                   |         |     |       |
| 15     | N 908 005 01   | screw<br>M 8 X 14  |          | 4   |             |     |             |                   |         |     |       |
| 16     | 996 537 320 03 | bowden cable<br>see technical information<br>group 5<br>6/98 |          | 2   |             |     |             |                   |         |     |       |
| 17     | 999 072 043 09 | hexagon-head bolt<br>M 6 X 12<br>micro-self-locking          |          | 4   |             |     |             |                   |         |     |       |
| 18     | 999 500 066 02 | blind rivet nut<br>M 6/0,5 - 3                               |          | 6   | M 563       |     |             |                   |         |     |       |



|       |      |    |    |              |              |        |       |            |         |     |         |
|-------|------|----|----|--------------|--------------|--------|-------|------------|---------|-----|---------|
| Model | Year | MG | SG | Illustration | Restrictions | Update | 11:36 | 25.11.2005 | PORSCHE | PET | PORSCHE |
| 996   | 05   | 8  | 04 | 804-10       |              | 194    |       |            |         |     |         |

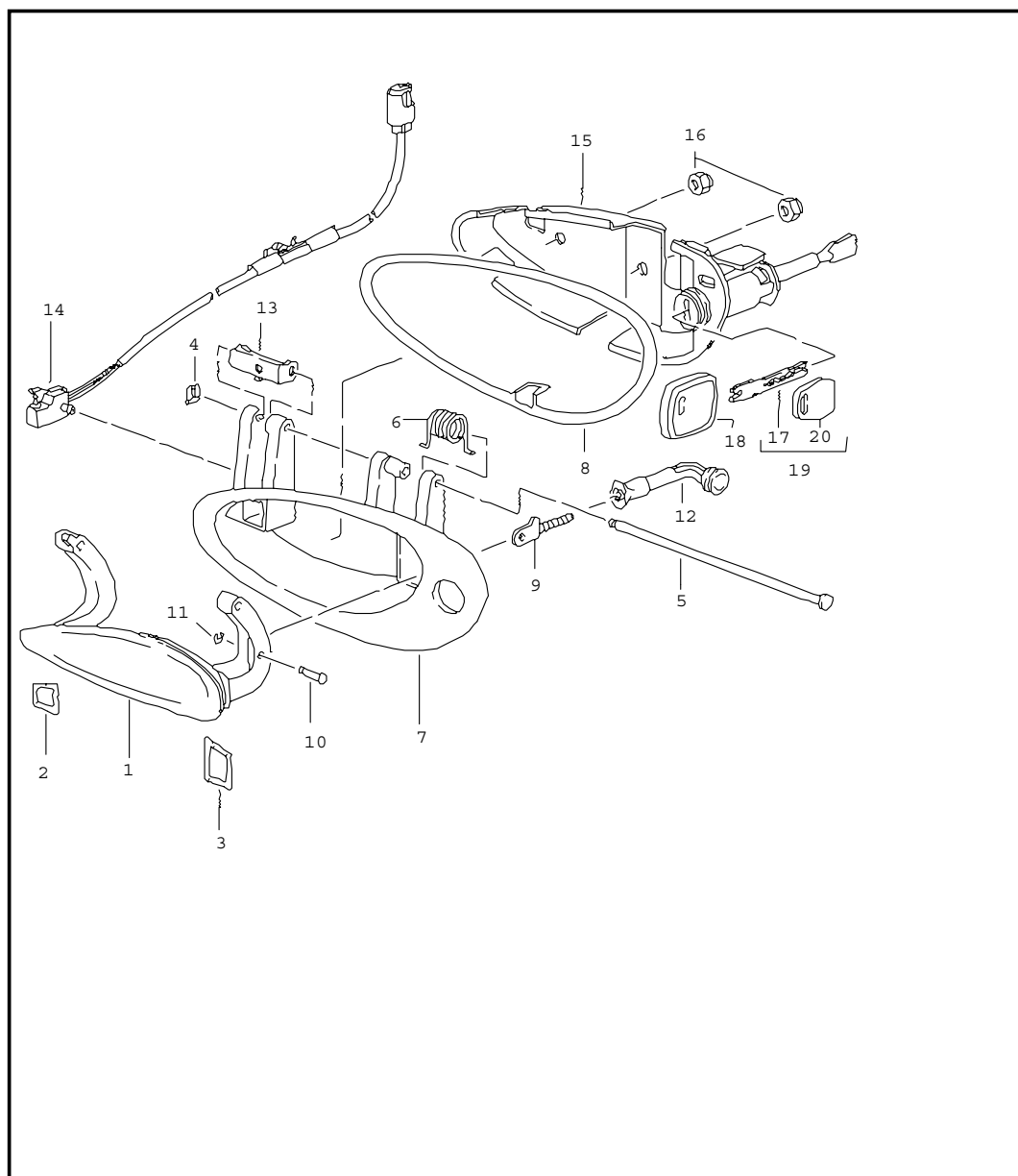


| Pos | Part Number      | Name                                    | Remarks | Qty | Model  |
|-----|------------------|---|---------|-----|--------|
|     |                  | door seal<br>gasket<br>windscreen frame |         |     |        |
| 1   | A 996 537 077 01 | gasket                                  | -01     | 1   | CABRIO |
| 1   | 996 537 077 02   | gasket                                  |         | 1   | CABRIO |
| 2   | 999 507 678 01   | u-clamp<br>4,0-4,5                      |         | 2   | CABRIO |
| 3   | 999 190 445 37   | rivet<br>A 4,0 X 7,9                    |         | 36  | CABRIO |
| (4) | 996 537 085 07   | gasket<br>outer                         | /L      | 1   |        |
| 4   | 996 537 086 07   | gasket<br>outer                         | /R      | 1   |        |
| (5) | A 996 537 531 05 | sealing for door slot                   | /L -01  | 1   |        |
| 5   | 996 537 531 06   | gasket<br>inner                         | /L      | 1   |        |
| 5   | A 996 537 532 06 | sealing for door slot                   | /R -01  | 1   |        |
| 5   | 996 537 532 06   | gasket<br>inner                         | /R      | 1   |        |
| (6) | A 996 537 725 01 | window guide                            | /L -02  | 1   |        |
| (6) | 996 537 725 02   | window guide                            | /L      | 1   |        |
| 6   | A 996 537 726 01 | window guide                            | /R -02  | 1   |        |
| 6   | 996 537 726 02   | window guide                            | /R      | 1   |        |
| 7   | 999 073 047 02   | tapping screw<br>ST 3,5 X 9,5           |         | 2   |        |
| 8   | 999 591 725 02   | speed nut<br>ST 3,5                     |         | 2   |        |
| (9) | 996 537 075 03   | gasket                                  | /L      | 1   | COUPE  |
| 9   | 996 537 076 03   | gasket                                  | /R      | 1   | COUPE  |
| 10  | 999 703 441 40   | cover<br>20 X 28 X 1                    |         | 4   |        |
| 11  | 999 703 417 40   | cover<br>24 X 39                        |         | 8   |        |
| 12  | 999 507 578 40   | clip<br>gasket<br>outer                 |         | 36  |        |

|       |      |    |    |              |              |        |       |            |         |     |         |
|-------|------|----|----|--------------|--------------|--------|-------|------------|---------|-----|---------|
| Model | Year | MG | SG | Illustration | Restrictions | Update | 11:36 | 25.11.2005 | PORSCHE | PET | PORSCHE |
| 996   | 05   | 8  | 04 | 804-10       |              | 194    |       |            |         |     |         |

| Pos               | Part Number    | Name              | Remarks | Qty | Model  | Pos | Part Number | Name | Remarks | Qty | Model |
|-------------------|----------------|-------------------|---------|-----|--------|-----|-------------|------|---------|-----|-------|
| 13                | 999 507 571 02 | clamp             |         | 2   |        |     |             |      |         |     |       |
| 14                | 996 537 075 04 | gasket            | /L      | 1   | CABRIO |     |             |      |         |     |       |
| (14)              | 996 537 076 04 | gasket            | /R      | 1   | CABRIO |     |             |      |         |     |       |
| 15                | 900 075 483 02 | screw<br>M 5 X 20 |         | 2   | CABRIO |     |             |      |         |     |       |
| - - - E N D - - - |                |                   |         |     |        |     |             |      |         |     |       |

|       |      |    |    |              |              |        |       |            |         |     |         |
|-------|------|----|----|--------------|--------------|--------|-------|------------|---------|-----|---------|
| Model | Year | MG | SG | Illustration | Restrictions | Update | 11:36 | 25.11.2005 | PORSCHE | PET | PORSCHE |
| 996   | 05   | 8  | 04 | 804-20       |              | 194    |       |            |         |     |         |

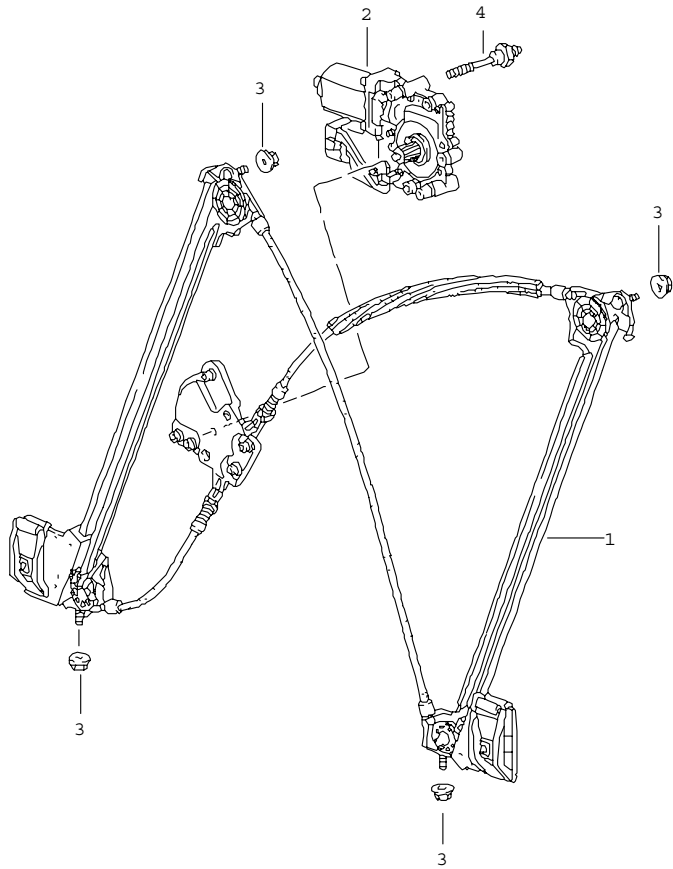


| Pos | Part Number    | Name                  | Remarks | Qty | Model       |
|-----|----------------|-----------------------|---------|-----|-------------|
| 1   | 996 537 613 01 | door handle<br>handle | /L      | 1   |             |
|     | G2X            | prime coated          |         |     |             |
| (1) | 996 537 614 01 | door handle<br>handle | /R      | 1   |             |
|     | G2X            | prime coated          |         |     |             |
| 2   | 996 537 623 01 | buffer                |         | 2   |             |
| 3   | 996 537 625 00 | buffer                |         | 2   |             |
| 4   | 996 537 631 00 | sl-lock               |         | 2   |             |
| 5   | 996 537 621 00 | axle                  |         | 2   |             |
| 6   | 996 537 611 00 | return spring         | /L      | 1   |             |
| (6) | 996 537 612 00 | return spring         | /R      | 1   |             |
| 7   | 996 537 645 01 | handle liner          | /LL/L   | 1   |             |
|     | G2X            | prime coated          |         |     |             |
| (7) | 996 537 645 01 | handle liner          | /RL/L   | 1   | M 532       |
|     | G2X            | prime coated          |         |     |             |
| (7) | 996 537 647 01 | handle liner          | /RL/L   | 1   | M 534/M 535 |
|     | G2X            | prime coated          |         |     |             |
| (7) | 996 537 646 01 | handle liner          | /LL/R   | 1   | M 532       |
|     | G2X            | prime coated          |         |     |             |
| (7) | 996 537 646 01 | handle liner          | /RL/R   | 1   |             |
|     | G2X            | prime coated          |         |     |             |
| (7) | 996 537 648 01 | handle liner          | /LL/R   | 1   | M 534/M 535 |
|     | G2X            | prime coated          |         |     |             |
| 8   | 996 537 637 00 | desk pad              | /L      | 1   |             |
| (8) | 996 537 638 00 | desk pad              | /R      | 1   |             |
| 9   | 996 537 627 00 | control shaft         |         | 2   |             |
| 10  | 996 537 629 01 | bolt                  |         | 2   |             |
| 11  | 996 537 641 00 | lock washer           |         | 2   |             |
| 12  | 996 537 445 02 | connecting piece      |         | 2   |             |

|       |      |    |    |              |              |        |       |            |         |     |         |
|-------|------|----|----|--------------|--------------|--------|-------|------------|---------|-----|---------|
| Model | Year | MG | SG | Illustration | Restrictions | Update | 11:36 | 25.11.2005 | PORSCHE | PET | PORSCHE |
| 996   | 05   | 8  | 04 | 804-20       |              | 194    |       |            |         |     |         |

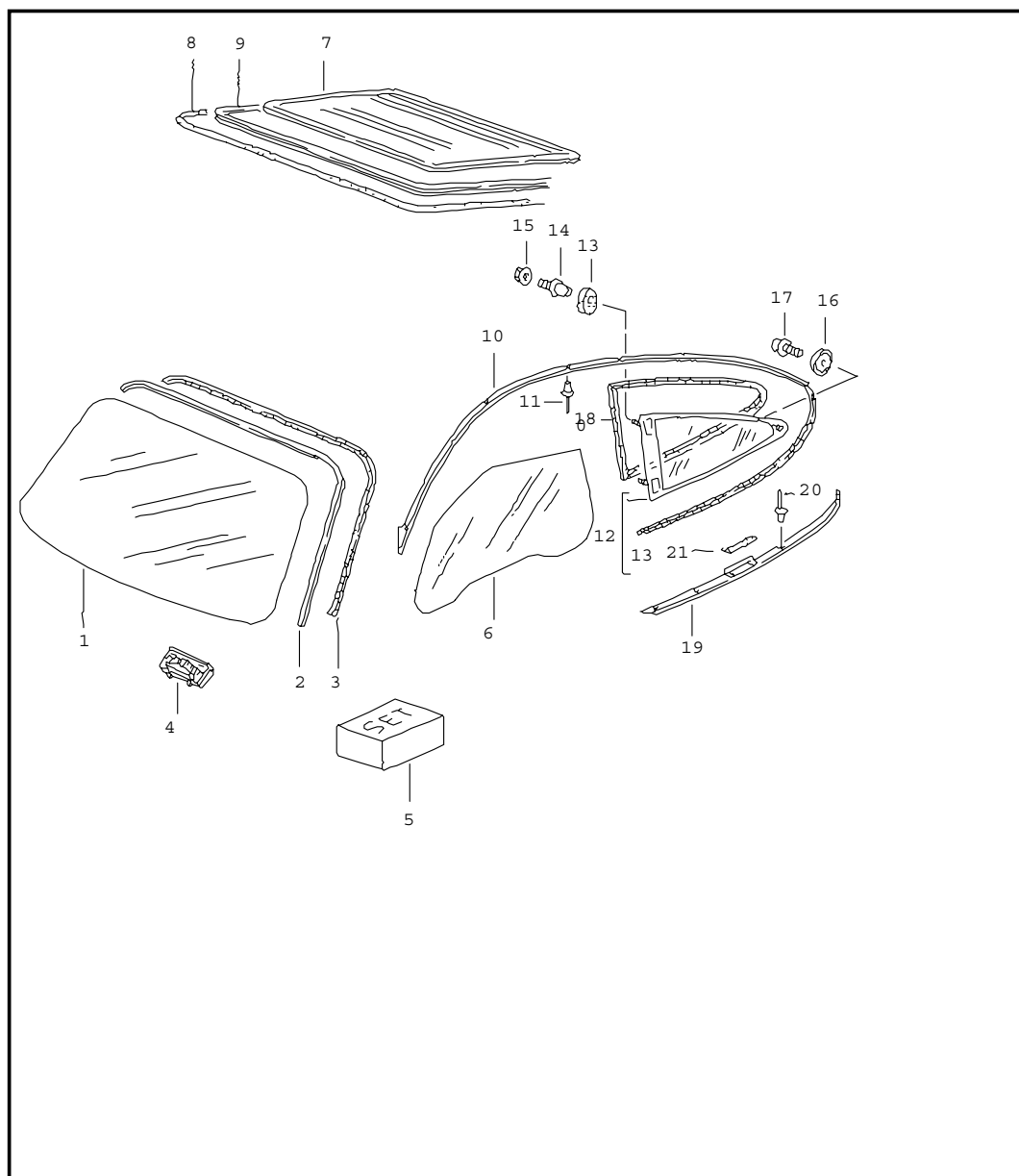
| Pos  | Part Number    | Name   | Remarks | Qty | Model | Pos | Part Number | Name | Remarks | Qty | Model |
|------|----------------|--|---------|-----|-------|-----|-------------|------|---------|-----|-------|
| 13   | 996 537 653 00 | eccentric  | /L      | 1   |       |     |             |      |         |     |       |
| (13) | 996 537 654 00 | eccentric  | /R      | 1   |       |     |             |      |         |     |       |
| 14   | 996 613 125 00 | microswitch<br>power windows   | /L      | 1   |       |     |             |      |         |     |       |
| (14) | 996 613 126 00 | microswitch<br>power windows   | /R      | 1   |       |     |             |      |         |     |       |
| 15   | 996 537 963 02 | support<br>with lock cylinder<br>w/o stipulated lock number                    | /L      | 1   |       |     |             |      |         |     |       |
| (15) | 996 537 964 02 | support<br>with lock cylinder<br>w/o stipulated lock number                    | /R      | 1   |       |     |             |      |         |     |       |
| 15   | 996 537 963 03 | support<br>with lock cylinder<br>with stipulated lock-no.<br>state lock number | /L      | 1   |       |     |             |      |         |     |       |
| (15) | 996 537 964 03 | support<br>with lock cylinder<br>with stipulated lock-no.<br>state lock number | /R      | 1   |       |     |             |      |         |     |       |
| (15) | 996 537 063 03 | support<br>without lock cylinder   | /RL/L   | 1   |       |     |             |      |         |     |       |
| (15) | 996 537 064 03 | support<br>without lock cylinder   | /LL/R   | 1   |       |     |             |      |         |     |       |
| 16   | 900 380 015 09 | nut<br>M 6   |         | 4   |       |     |             |      |         |     |       |
| 17   | 996 538 531 00 | blank key  |         | X   |       |     |             |      |         |     |       |
| 18   | 996 538 423 01 | key cap  |         | X   |       |     |             |      |         |     |       |
| 19   | 996 538 932 00 | replacement key<br>with stipulated lock-no.<br>state lock number               |         | X   |       |     |             |      |         |     |       |
| 20   | 944 538 431 00 | key cap  |         | X   |       |     |             |      |         |     |       |
|      |                | - - - E N D - - -  |         |     |       |     |             |      |         |     |       |

|       |      |    |    |              |              |        |       |            |         |     |         |
|-------|------|----|----|--------------|--------------|--------|-------|------------|---------|-----|---------|
| Model | Year | MG | SG | Illustration | Restrictions | Update | 11:36 | 25.11.2005 | PORSCHE | PET | PORSCHE |
| 996   | 05   | 8  | 04 | 804-30       |              | 194    |       |            |         |     |         |



| Pos               | Part Number    | Name           | Remarks | Qty | Model       |
|-------------------|----------------|----------------|---------|-----|-------------|
|                   |                | power windows  |         |     |             |
| (1)               | 996 542 075 04 | power windows  | /L      | 1   |             |
| 1                 | 996 542 076 04 | power windows  | /R      | 1   |             |
| (2) A             | 996 624 101 03 | electric motor | /L -02  | 1   | COUPE/TARGA |
| (2)               | 996 624 101 05 | electric motor | /L      | 1   | COUPE/TARGA |
| 2 A               | 996 624 102 03 | electric motor | /R -02  | 1   | COUPE/TARGA |
| 2                 | 996 624 102 05 | electric motor | /R      | 1   | COUPE/TARGA |
| (2) A             | 996 624 101 04 | electric motor | /L -02  | 1   | CABRIO      |
| (2)               | 996 624 101 06 | electric motor | /L      | 1   | CABRIO      |
| (2) A             | 996 624 102 04 | electric motor | /R -02  | 1   | CABRIO      |
| (2)               | 996 624 102 06 | electric motor | /R      | 1   | CABRIO      |
| 3                 | 900 380 015 09 | nut<br>M 6     |         | 14  |             |
| 4                 | 996 542 711 00 | threaded bolt  |         | 6   |             |
| - - - E N D - - - |                |                |         |     |             |

|       |      |    |    |              |              |        |       |            |         |     |         |
|-------|------|----|----|--------------|--------------|--------|-------|------------|---------|-----|---------|
| Model | Year | MG | SG | Illustration | Restrictions | Update | 11:36 | 25.11.2005 | PORSCHE | PET | PORSCHE |
| 996   | 05   | 8  | 05 | 805-00       |              | 194    |       |            |         |     |         |

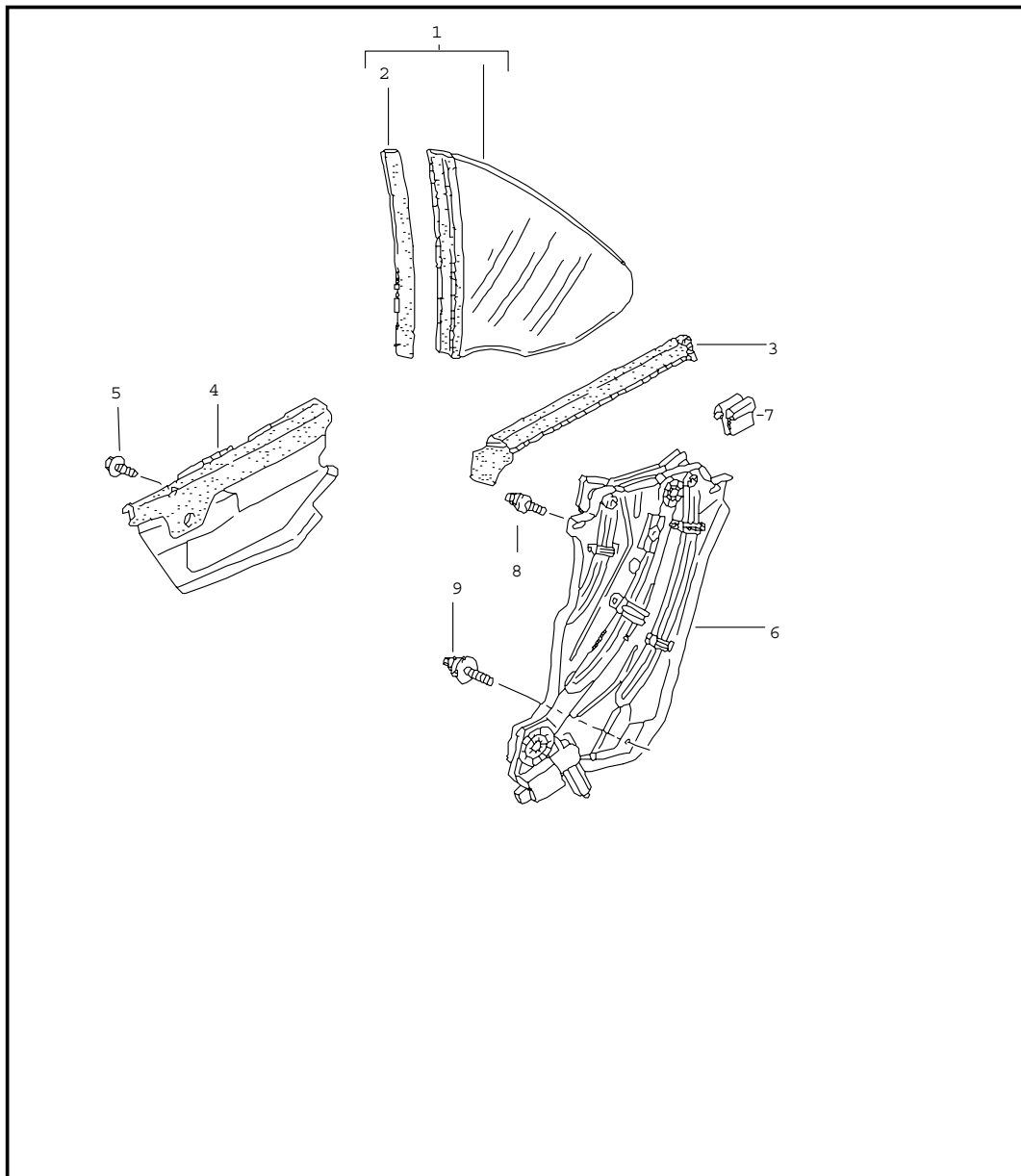


| Pos | Part Number    | Name  | Remarks | Qty | Model       |
|-----|----------------|---|---------|-----|-------------|
|     |                | windows   |         |     |             |
| 1   | 996 541 901 00 | windscreen tinted   | -01     | 1   |             |
| 1   | 996 541 901 04 | windscreen tinted   | 02-     | 1   |             |
| 1   | 996 541 901 02 | windscreen tinted   | 01      | 1   | M 265       |
| 1   | 996 541 901 06 | windscreen tinted   | 02-     | 1   | M 265       |
| (1) | 996 541 901 01 | windscreen tinted<br>upper part: dark green                       | -01     | 1   |             |
| (1) | 996 541 901 05 | windscreen tinted<br>upper part: dark green                       | 02-     | 1   |             |
| (1) | 996 541 901 03 | windscreen tinted<br>upper part: dark green                       | 01      | 1   | M 265       |
| (1) | 996 541 901 07 | windscreen tinted<br>upper part: dark green                       | 02-     | 1   | M 265       |
| (1) | 996 541 901 08 | windscreen tinted   | 03-     | 1   | M 440       |
| (1) | 996 541 901 09 | windscreen tinted<br>upper part: dark green                       | 03-     | 1   | M 440       |
| (1) | 996 541 901 10 | windscreen tinted   | 03-     | 1   | M 440/M 265 |
| (1) | 996 541 901 11 | windscreen tinted<br>upper part: dark green                       | 03-     | 1   | M 440/M 265 |
| -   | 996 541 903 00 | round rubber cord<br>see technical information<br>group 6<br>4/99 |         | 1   |             |
| 2   | 996 541 531 01 | sealing frame   |         | 1   |             |
| 3   | 996 541 541 01 | trim frame  | -01     | 1   |             |
| 3   | 996 541 541 02 | trim frame  | 02-     | 1   |             |
| 4   | 999 507 576 41 | support   |         | 2   |             |

|       |      |    |    |              |              |        |       |            |         |     |         |
|-------|------|----|----|--------------|--------------|--------|-------|------------|---------|-----|---------|
| Model | Year | MG | SG | Illustration | Restrictions | Update | 11:36 | 25.11.2005 | PORSCHE | PET | PORSCHE |
| 996   | 05   | 8  | 05 | 805-00       |              | 194    |       |            |         |     |         |

| Pos  | Part Number      | Name  | Remarks | Qty | Model  | Pos  | Part Number      | Name   | Remarks | Qty | Model |
|------|------------------|---|---------|-----|--------|------|------------------|--|---------|-----|-------|
| 5    | 000 043 300 94   | adhesive set<br>TEROSTAT 8593                                     |         | 1   |        | 15   | 999 076 055 09   | lock nut<br>M 8  |         | 4   |       |
| -    | 000 731 513 00   | adhesive plate<br>for<br>interior mirror                          |         | 1   |        | 16   | 996 543 625 00   | sealing washer   |         | 2   |       |
| 6    | 996 542 511 02   | door glass  | /L      | 1   | COUPE  | 17   | 999 218 011 02   | pan-head screw<br>M 6 X 12                             |         | 2   |       |
| (6)  | 996 542 512 02   | door glass  | /R      | 1   | COUPE  | 18   | 996 543 325 00   | sealing frame  | /L      | 1   |       |
| (6)  | 996 542 511 03   | door glass  | /L      | 1   | CABRIO | 18   | 996 543 325 01   | sealing frame  | /L      | 1   | TARGA |
| (6)  | 996 542 512 03   | door glass  | /R      | 1   | CABRIO | (18) | 996 543 326 00   | sealing frame  | /R      | 1   |       |
| 7    | 996 545 901 02   | rear window   | -01     | 1   |        | (18) | 996 543 326 01   | sealing frame  | /R      | 1   | TARGA |
| 7    | 996 545 901 03   | rear window   | 02-     | 1   |        | 19   | A 996 543 771 07 | retaining strip  | /L -01  | 1   |       |
| -    | 996 541 903 00   | round rubber cord<br>see technical information<br>group 6<br>4/99 |         | 1   |        | 19   | 996 543 771 08   | retaining strip  | /L      | 1   |       |
| 8    | A 996 545 521 03 | sealing frame   |         | 1   |        | 19   | A 996 543 771 05 | retaining strip  | /L      | 1   | TARGA |
| 8    | 996 545 521 04   | sealing frame   |         | 1   |        | 19   | 996 537 485 00   | retaining strip  | /L      | 1   | TARGA |
| 9    | 996 545 545 01   | trim frame  | -01     | 1   |        | (19) | A 996 543 772 07 | retaining strip  | /R -01  | 1   |       |
| 9    | 996 545 545 02   | trim frame  | 02-     | 1   |        | (19) | 996 543 772 08   | retaining strip  | /R      | 1   |       |
| 10   | A 996 537 481 06 | roof frame seal   | /L -01  | 1   |        | (19) | A 996 543 772 05 | retaining strip  | /R      | 1   | TARGA |
| 10   | 996 537 481 08   | roof frame seal   | /L      | 1   |        | (19) | 996 537 486 00   | retaining strip  | /R      | 1   | TARGA |
| 10   | 996 537 481 04   | roof frame seal   | /L      | 1   | TARGA  | 20   | 999 190 445 37   | blind rivet<br>A 4,0 X 7,9                             |         | 12  |       |
| (10) | A 996 537 482 06 | roof frame seal   | /R -01  | 1   |        | 21   | 996 543 543 01   | spacer<br>see technical information<br>group 6<br>3/99 |         | 2   |       |
| (10) | 996 537 482 08   | roof frame seal   | /R      | 1   |        |      |                  | - - - E N D - - -                                      |         |     |       |
| (10) | 996 537 482 04   | roof frame seal   | /R      | 1   | TARGA  |      |                  |  |         |     |       |
| 11   | 999 190 445 37   | blind rivet<br>A 4,0 X 7,9  |         | 26  |        |      |                  |  |         |     |       |
| 12   | 996 543 111 03   | rear glass  | /L      | 1   |        |      |                  |  |         |     |       |
| 12   | 996 543 111 06   | rear glass  | /L      | 1   | TARGA  |      |                  |  |         |     |       |
| (12) | 996 543 112 03   | rear glass  | /R      | 1   |        |      |                  |  |         |     |       |
| (12) | 996 543 112 06   | rear glass  | /R      | 1   | TARGA  |      |                  |  |         |     |       |
| 13   | 996 543 611 02   | gasket  |         | 4   |        |      |                  |  |         |     |       |
| 14   | 996 543 435 00   | threaded bush   |         | 4   |        |      |                  |  |         |     |       |

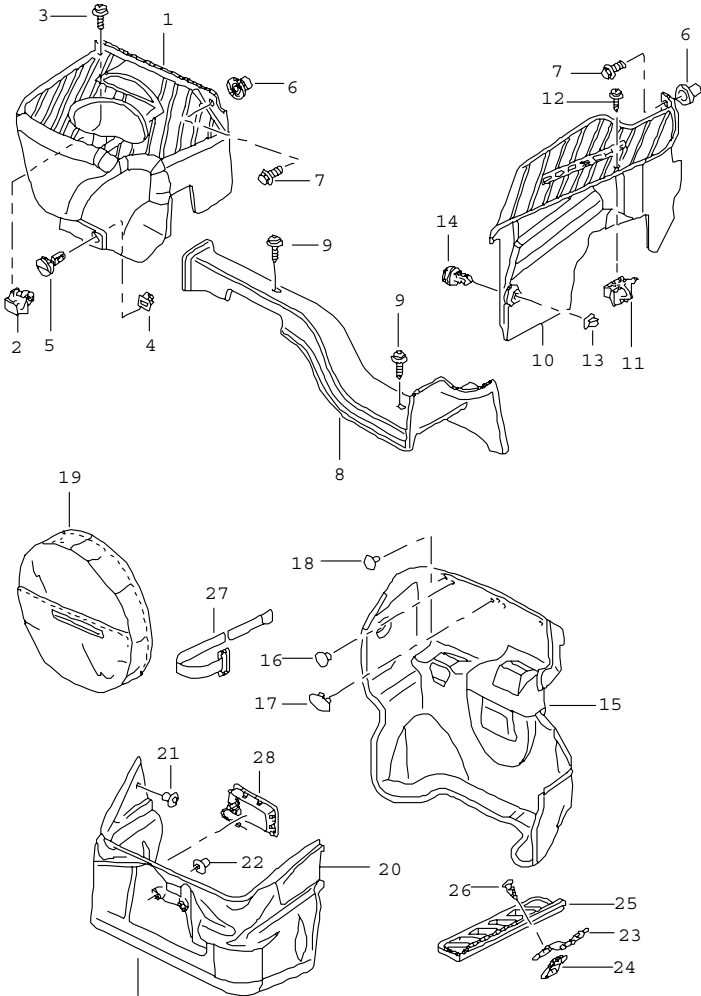
|       |      |    |    |              |              |        |       |            |         |     |         |
|-------|------|----|----|--------------|--------------|--------|-------|------------|---------|-----|---------|
| Model | Year | MG | SG | Illustration | Restrictions | Update | 11:36 | 25.11.2005 | PORSCHE | PET | PORSCHE |
| 996   | 05   | 8  | 05 | 805-05       |              | 194    |       |            |         |     |         |



| Pos               | Part Number    | Name                          | Remarks | Qty | Model  |
|-------------------|----------------|-------------------------------|---------|-----|--------|
|                   |                | rear glass                    |         |     | CABRIO |
| 1                 | 996 543 111 08 | rear glass                    | /L -02  | 1   |        |
| 1                 | 996 543 111 09 | rear glass                    | /L 03-  | 1   |        |
| (1)               | 996 543 112 08 | rear glass                    | /R -02  | 1   |        |
| (1)               | 996 543 112 09 | rear glass                    | /R 03-  | 1   |        |
| 2                 | 996 543 615 03 | gasket                        | /L      | 1   |        |
| (2)               | 996 543 616 03 | gasket                        | /R      | 1   |        |
| 3                 | 996 543 475 04 | gasket<br>outer               | /L      | 1   |        |
| (3)               | 996 543 476 04 | gasket<br>outer               | /R      | 1   |        |
| 4                 | 996 543 177 01 | gasket<br>inner               | /L      | 1   |        |
| (4)               | 996 543 178 01 | gasket<br>inner               | /R      | 1   |        |
| 5                 | 900 378 036 09 | hexagon-head bolt<br>M 6 X 12 |         | 4   |        |
| 6                 | 996 543 015 04 | power windows                 | /L      | 1   |        |
| (6)               | 996 543 016 04 | power windows                 | /R      | 1   |        |
| 7                 | 996 543 901 00 | insert                        |         | 4   |        |
| 8                 | 996 543 903 00 | bolt<br>upper                 |         | 4   |        |
| 9                 | 996 543 905 00 | bolt<br>lower                 |         | 2   |        |
| - - - E N D - - - |                |                               |         |     |        |



|       |      |    |    |              |              |        |       |            |         |     |         |
|-------|------|----|----|--------------|--------------|--------|-------|------------|---------|-----|---------|
| Model | Year | MG | SG | Illustration | Restrictions | Update | 11:36 | 25.11.2005 | PORSCHE | PET | PORSCHE |
| 996   | 05   | 8  | 07 | 807-00       |              | 194    |       |            |         |     |         |



| Pos | Part Number    | Name                          | Remarks  | Qty | Model     |
|-----|----------------|-------------------------------|----------|-----|-----------|
|     |                | luggage compartment           |          |     |           |
| 1   | 996 551 133 04 | lining                        | /RL/R    | 1   | M 338     |
|     | 01C            | satin black                   |          |     |           |
| (1) | 996 551 134 00 | lining                        | /RL/R-00 | 1   | M 339     |
|     | 01C            | satin black                   |          |     |           |
| (1) | 996 551 134 01 | lining                        | /RL/R01- | 1   | M 339/692 |
|     | 01C            | satin black                   |          |     |           |
| (1) | 996 551 134 02 | lining                        | /RL/R03- | 1   | M 339/692 |
|     | 01C            | satin black                   |          |     |           |
| (1) | 996 551 131 03 | lining                        | /LL/L    | 1   | M 338     |
|     | 01C            | satin black                   |          |     |           |
| (1) | 996 551 131 02 | lining<br>brake booster       | /LL/L99- | 1   | M 339     |
|     | 01C            | satin black                   |          |     |           |
| (1) | 996 551 142 00 | lining<br>pre-charge pump     | /LL 00-  | 1   | M 338/476 |
|     | 01C            | satin black                   |          |     |           |
| (1) | 996 551 142 01 | lining<br>pre-charge pump     | /RL 00-  | 1   | M 338/476 |
|     | 01C            | satin black                   |          |     |           |
| 2   | 999 507 512 40 | support<br>3,5                |          | 1   |           |
| 3   | 999 919 151 09 | oval-head screw<br>3,5 X 18   |          | 1   |           |
| 4   | 999 590 046 40 | disc cam<br>10,0 X 11,5       |          | 1   |           |
| 5   | 999 507 529 40 | catch<br>18,0                 |          | 1   |           |
| 6   | 999 500 078 00 | nut<br>M 6                    |          | 2   |           |
| 7   | 900 378 188 09 | hexagon-head bolt<br>M 6 X 20 |          | 1   |           |
| 8   | 996 551 137 01 | lining                        | /RL      | 1   |           |
|     | 01C            | satin black                   |          |     |           |

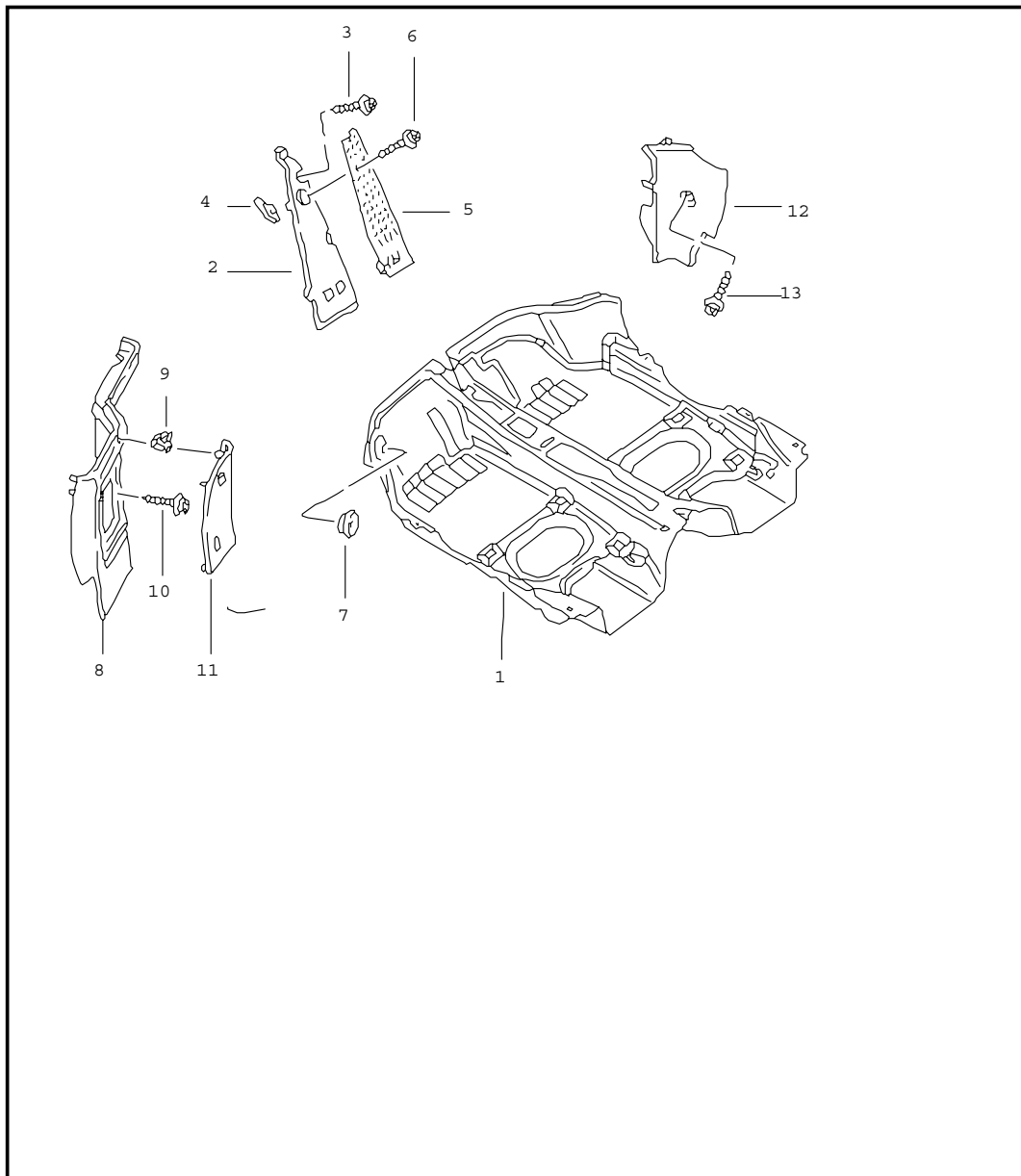
|       |      |    |    |              |              |        |       |            |         |     |         |
|-------|------|----|----|--------------|--------------|--------|-------|------------|---------|-----|---------|
| Model | Year | MG | SG | Illustration | Restrictions | Update | 11:36 | 25.11.2005 | PORSCHE | PET | PORSCHE |
| 996   | 05   | 8  | 07 | 807-00       |              | 194    |       |            |         |     |         |

| Pos  | Part Number    | Name                        | Remarks  | Qty | Model     | Pos    | Part Number    | Name                          | Remarks  | Qty | Model     |
|------|----------------|-----------------------------|----------|-----|-----------|--------|----------------|-------------------------------|----------|-----|-----------|
| (8)  | 996 551 137 02 | lining<br>pipeline          | /LL 00-  | 1   | M 338/476 |        | C10            | grey                          |          |     |           |
|      | 01C            | satin black                 |          |     |           | (15)   | 996 551 051 09 | lining                        | /H -00   | 1   | M 339     |
| -    | 999 507 674 40 | cable holder                | /LL 00-  | 1   | M 338/476 |        | C10            | grey                          |          |     |           |
| 9    | 999 919 151 09 | screw<br>3,5 X 18           |          | 2   |           | (15)   | 996 551 051 15 | lining                        | /RL/H-00 | 1   | M 338     |
|      |                |                             |          |     |           |        | C10            | grey                          |          |     |           |
| 10   | 996 551 135 01 | lining                      | /RL/L98  | 1   |           | (15)   | 996 551 051 13 | lining                        | /RL/H-00 | 1   | M 338/476 |
|      | 01C            | satin black                 |          |     |           |        | C10            | grey                          |          |     |           |
| 10   | 996 551 135 01 | lining                      | /RL/L99  | 1   | M 338     | (15)   | 996 551 051 11 | lining                        | /RL/H 99 | 1   | M 339     |
|      | 01C            | satin black                 |          |     |           |        | C10            | grey                          |          |     |           |
| 10   | 996 551 135 02 | lining                      | /RL/L00- | 1   | M 338     | (15)   | 996 551 051 10 | lining<br>luggage compartment | /RL/H 00 | 1   | M 339     |
|      | 01C            | satin black                 |          |     |           |        | C10            | grey                          |          |     |           |
| (10) | 996 551 135 03 | lining                      | /RL/L03- | 1   | M 338/692 | 15     | 996 551 051 16 | lining<br>luggage compartment | /LL 01-  | 1   | M 338     |
|      | 01C            | satin black                 |          |     |           |        | A31            | black                         |          |     |           |
| (10) | 996 551 133 03 | lining<br>hydraulic unit    | /RL/L99- | 1   | M 339     | (15)   | 996 551 051 18 | lining<br>luggage compartment | /LL 01-  | 1   | M 338/476 |
|      | 01C            | satin black                 |          |     |           |        | A31            | black                         |          |     |           |
| 11   | 999 507 512 40 | support                     | /RL      | 1   |           |        | A31            | black                         |          |     |           |
| 11   | 999 507 512 40 | support<br>3,5              | /LL      | 2   |           | (15) A | 996 551 051 20 | lining<br>luggage compartment | /LL -02  | 1   | M 339     |
|      |                |                             |          |     |           |        | A31            | black                         |          |     |           |
| (11) | 996 551 771 00 | support                     |          | 1   | M 338     |        | A31            | black                         |          |     |           |
| (11) | 996 551 773 00 | support                     | 99-      | 1   | M 339     | (15)   | 996 551 051 22 | lining<br>luggage compartment | /LL 03-  | 1   | M 339     |
| 12   | 999 919 151 09 | oval-head screw             | /RL      | 2   |           |        | A31            | black                         |          |     |           |
| 12   | 999 919 151 09 | oval-head screw<br>3,5 X 18 | /LL      | 3   |           | (15)   | 996 551 051 17 | lining<br>luggage compartment | /RL 01-  | 1   | M 338     |
|      |                |                             |          |     |           |        | A31            | black                         |          |     |           |
| 13   | 999 590 046 40 | disc cam                    | /RL      | 1   |           | (15)   | 996 551 051 19 | lining<br>luggage compartment | /RL 01-  | 1   | M 338/476 |
| 13   | 999 590 046 40 | disc cam<br>10,0 X 11,5     | /LL      | 2   |           |        | A31            | black                         |          |     |           |
| 14   | 999 507 529 40 | catch<br>18,0               |          | 2   |           | (15)   | 996 551 051 21 | lining<br>luggage compartment | /RL 01-  | 1   | M 339     |
|      |                |                             |          |     |           |        | A31            | black                         |          |     |           |
| 15   | 996 551 051 14 | lining                      | /H -00   | 1   | M 338     | (15)   | 996 551 051 21 | lining<br>luggage compartment | /RL 01-  | 1   | M 339     |
|      | C10            | grey                        |          |     |           |        | A31            | black                         |          |     |           |
| (15) | 996 551 051 12 | lining                      | /H -00   | 1   | M 338/476 |        |                |                               |          |     |           |

|       |      |    |    |              |              |        |       |            |         |     |         |
|-------|------|----|----|--------------|--------------|--------|-------|------------|---------|-----|---------|
| Model | Year | MG | SG | Illustration | Restrictions | Update | 11:36 | 25.11.2005 | PORSCHE | PET | PORSCHE |
| 996   | 05   | 8  | 07 | 807-00       |              | 194    |       |            |         |     |         |

| Pos    | Part Number    | Name                         | Remarks  | Qty | Model        | Pos               | Part Number    | Name                                | Remarks | Qty | Model     |
|--------|----------------|------------------------------|----------|-----|--------------|-------------------|----------------|-------------------------------------|---------|-----|-----------|
| 16     | 999 703 432 40 | plug<br>8,0<br>12,2 X 25     |          | 8   |              | (20)              | 996 551 045 10 | lining<br>A31 black                 | /V 02-  | 1   | M 339     |
| 17     | 999 703 456 40 | cap<br>49 X 26<br>12,2 X 25  |          | 1   |              | --                | 996 551 845 00 | adhesive carpet                     |         | 1   | M 339     |
| 18     | 999 703 455 40 | cap<br>12,2 X 25             |          | 2   |              | 21                | 999 703 432 40 | plug<br>8,0                         |         | 2   |           |
| 19     | 996 551 061 00 | lining                       |          | 1   | COUPE:M 338  | 22                | 999 507 565 40 | plastic nut<br>T5/ 24,15            |         | 2   |           |
| (19)   | 996 551 061 01 | lining                       |          | 1   | CABRIO:M 338 | (22)              | 999 507 566 40 | plastic nut<br>T5/ 39,70            |         | 1   |           |
| --     | 996 551 351 02 | lining<br>floor<br>C10 grey  | 99-00    | 1   | M 339        | 23                | 996 551 761 00 | support                             | /LL -02 | 1   | M 339     |
| --     | 996 551 351 03 | lining<br>floor<br>A31 black | 01       | 1   | M 339        | 23                | 996 551 761 01 | support<br>cover<br>booster         | /LL 03- | 1   | M 339     |
| --     | 996 551 351 04 | lining<br>floor<br>A31 black | 02-      | 1   | M 339        | 24                | 999 591 725 02 | speed nut<br>3,5                    |         | 1   | M 339     |
| 20     | 996 551 045 01 | lining<br>C10 grey           | /V -00   | 1   | M 338        | 25                | 996 551 451 00 | cover<br>booster<br>01C satin black |         | 1   | M 339     |
| (20) A | 996 551 045 03 | lining<br>C10 grey           | /V 99    | 1   | M 339        | 26                | 900 144 103 09 | tapping screw<br>3,5 X 13           |         | 1   |           |
| (20)   | 996 551 045 04 | lining<br>C10 grey           | /V -00   | 1   | M 339        | 27                | 996 551 741 00 | retaining strap<br>first-aid kit    |         | 1   | M 338/692 |
| 20 A   | 996 551 045 06 | lining<br>A31 black          | /V_01-02 | 1   | M 338        | - - - E N D - - - |                |                                     |         |     |           |
| 20     | 996 551 045 08 | lining<br>A31 black          | /V 02-   | 1   | M 338        |                   |                |                                     |         |     |           |
| (20)   | 996 551 045 07 | lining<br>A31 black          | /V 01    | 1   | M 339        |                   |                |                                     |         |     |           |
| (20) A | 996 551 045 05 | lining<br>A31 black          | /V 02    | 1   | M 339        |                   |                |                                     |         |     |           |

|       |      |    |    |              |              |        |       |            |         |     |         |
|-------|------|----|----|--------------|--------------|--------|-------|------------|---------|-----|---------|
| Model | Year | MG | SG | Illustration | Restrictions | Update | 11:37 | 25.11.2005 | PORSCHE | PET | PORSCHE |
| 996   | 05   | 8  | 07 | 807-02       |              | 194    |       |            |         |     |         |



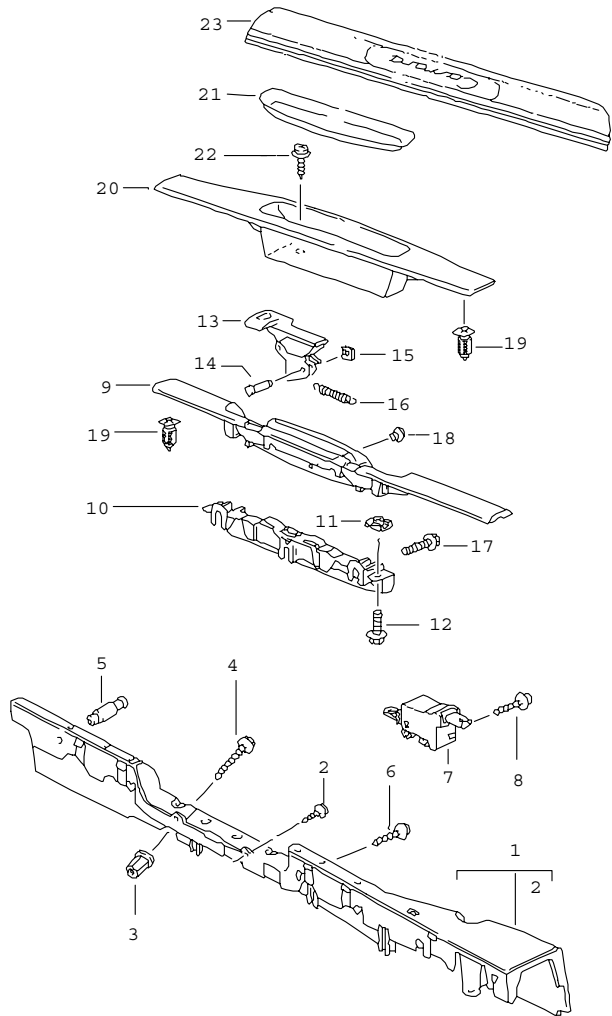
| Pos | Part Number    | Name                     | Remarks | Qty | Model           |
|-----|----------------|--------------------------|---------|-----|-----------------|
| 1   | 996 551 011 02 | carpet linings<br>carpet | /LL     | 1   | COUPE/<br>TARGA |
|     | EEW            | black                    |         |     |                 |
|     | EEX            | graphite grey            |         |     |                 |
|     | EEY            | savanna                  |         |     |                 |
|     | EFB            | nephrite green           | -01     |     |                 |
|     | FAR            | nephrite green           | 02-     |     |                 |
|     | EFC            | boxster red              |         |     |                 |
|     | EEZ            | metropole blue           |         |     |                 |
|     | EFA            | space grey               | -00     |     |                 |
|     | VRL            | dark grey                | 00-     |     |                 |
|     | VRM            | brown/natural            | 00-     |     |                 |
|     | FAP            | cinnamon brown           | 01-     |     |                 |
| (1) | 996 551 011 03 | carpet                   | /RL     | 1   | COUPE/<br>TARGA |
|     | EEW            | black                    |         |     |                 |
|     | EEX            | graphite grey            |         |     |                 |
|     | EEY            | savanna                  |         |     |                 |
|     | EFB            | nephrite green           | -01     |     |                 |
|     | FAR            | nephrite green           | 02-     |     |                 |
|     | EFC            | boxster red              |         |     |                 |
|     | EEZ            | metropole blue           |         |     |                 |
|     | EFA            | space grey               | -00     |     |                 |
|     | VRL            | dark grey                | 00-     |     |                 |
|     | VRM            | brown/natural            | 00-     |     |                 |
|     | FAP            | cinnamon brown           | 01-     |     |                 |
| (1) | 996 551 011 04 | carpet                   | /LL     | 1   | CABRIO          |
|     | EEW            | black                    |         |     |                 |
|     | EEX            | graphite grey            |         |     |                 |

|       |      |    |    |              |              |        |       |            |         |     |         |
|-------|------|----|----|--------------|--------------|--------|-------|------------|---------|-----|---------|
| Model | Year | MG | SG | Illustration | Restrictions | Update | 11:37 | 25.11.2005 | PORSCHE | PET | PORSCHE |
| 996   | 05   | 8  | 07 | 807-02       |              | 194    |       |            |         |     |         |

| Pos | Part Number    | Name           | Remarks | Qty | Model        | Pos | Part Number    | Name           | Remarks | Qty | Model        |
|-----|----------------|----------------|---------|-----|--------------|-----|----------------|----------------|---------|-----|--------------|
|     | EEY            | savanna        |         |     |              |     | VRM            | brown/natural  | 00-     |     |              |
|     | EFB            | nephrite green | -01     |     |              |     | FAP            | cinnamon brown | 01-     |     |              |
|     | FAR            | nephrite green | 02-     |     |              | (1) | 996 551 011 07 | carpet         | /RL 02- | 1   | CABRIO:M 680 |
|     | EFC            | boxster red    |         |     |              |     | EEW            | black          |         |     |              |
|     | EEZ            | metropole blue |         |     |              |     | EEZ            | graphite grey  |         |     |              |
|     | EFA            | space grey     | -00     |     |              |     | EEY            | savanna        |         |     |              |
|     | VRL            | dark grey      | 00-     |     |              |     | FAR            | nephrite green | 02-     |     |              |
|     | VRM            | brown/natural  | 00-     |     |              |     | EFC            | boxster red    |         |     |              |
|     | FAP            | cinnamon brown | 01-     |     |              |     | EEZ            | metropole blue |         |     |              |
| (1) | 996 551 011 06 | carpet         | /LL 02- | 1   | CABRIO:M 680 |     | VRL            | dark grey      | 00-     |     |              |
|     | EEW            | black          |         |     |              |     | VRM            | brown/natural  | 00-     |     |              |
|     | EEZ            | graphite grey  |         |     |              |     | FAP            | cinnamon brown | 01-     |     |              |
|     | EEY            | savanna        |         |     |              | (1) | 996 551 011 08 | carpet         | /LL 02- | 1   | TARGA:M 680  |
|     | FAR            | nephrite green | 02-     |     |              |     | EEW            | black          |         |     |              |
|     | EFC            | boxster red    |         |     |              |     | EEZ            | graphite grey  |         |     |              |
|     | EEZ            | metropole blue |         |     |              |     | EEY            | savanna        |         |     |              |
|     | VRL            | dark grey      | 00-     |     |              |     | FAR            | nephrite green | 02-     |     |              |
|     | VRM            | brown/natural  | 00-     |     |              |     | EFC            | boxster red    |         |     |              |
|     | FAP            | cinnamon brown | 01-     |     |              |     | EEZ            | metropole blue |         |     |              |
| (1) | 996 551 011 05 | carpet         | /RL     | 1   | CABRIO       |     | VRL            | dark grey      | 00-     |     |              |
|     | EEW            | black          |         |     |              |     | VRM            | brown/natural  | 00-     |     |              |
|     | EEZ            | graphite grey  |         |     |              |     | FAP            | cinnamon brown | 01-     |     |              |
|     | EEY            | savanna        |         |     |              | (1) | 996 551 011 09 | carpet         | /RL 02- | 1   | TARGA:M 680  |
|     | EFB            | nephrite green | -01     |     |              |     | EEW            | black          |         |     |              |
|     | FAR            | nephrite green | 02-     |     |              |     | EEZ            | graphite grey  |         |     |              |
|     | EFC            | boxster red    |         |     |              |     | EEY            | savanna        |         |     |              |
|     | EEZ            | metropole blue |         |     |              |     | FAR            | nephrite green | 02-     |     |              |
|     | EFA            | space grey     | -00     |     |              |     | EFC            | boxster red    |         |     |              |
|     | VRL            | dark grey      | 00-     |     |              |     | EEZ            | metropole blue |         |     |              |



|       |      |    |    |              |              |        |       |            |         |     |         |
|-------|------|----|----|--------------|--------------|--------|-------|------------|---------|-----|---------|
| Model | Year | MG | SG | Illustration | Restrictions | Update | 11:37 | 25.11.2005 | PORSCHE | PET | PORSCHE |
| 996   | 05   | 8  | 07 | 807-03       |              | 194    |       |            |         |     |         |



| Pos | Part Number    | Name                                      | Remarks | Qty | Model     |
|-----|----------------|---|---------|-----|-----------|
|     |                | lining door sill                          |         |     |           |
| 1   | 996 551 619 01 | support                                   | /L      | 1   |           |
| (1) | 996 551 620 01 | support                                   | /R      | 1   |           |
| -   | 999 551 140 40 | felt strip                                |         | 2   |           |
| 2   | 900 143 082 02 | tapping screw<br>6,3 X 13                 |         | 4   |           |
| 3   | 999 500 078 00 | nut<br>M 6                                |         | 2   |           |
| -   | 999 049 022 40 | plastic nut                               |         | 2   |           |
| 4   | 900 378 029 09 | hexagon-head tapping screw<br>M 6 X 40    |         | 2   |           |
| 5   | 996 551 873 00 | locating peg                              |         | 2   |           |
| 6   | 999 919 121 09 | oval-head screw<br>5,0 X 16               |         | 2   |           |
| 7   | 996 624 115 01 | actuator cover                            | -00     | 1   |           |
| 8   | 999 919 121 09 | oval-head screw<br>5,0 X 16               | -00     | 2   |           |
| (9) | 996 551 019 09 | lining lacquered granite grey with handle | /LL -99 | 1   | M 537     |
|     | EMW            | silver                                    |         |     |           |
| (9) | 996 551 019 10 | lining lacquered granite grey with handle | /LL -99 | 1   | M 590     |
|     | EMW            | silver                                    |         |     |           |
| (9) | 996 551 019 11 | lining lacquered granite grey with handle | /LL -99 | 1   | M 537/590 |
|     | EMW            | silver                                    |         |     |           |

|       |      |    |    |              |              |        |       |            |         |     |         |
|-------|------|----|----|--------------|--------------|--------|-------|------------|---------|-----|---------|
| Model | Year | MG | SG | Illustration | Restrictions | Update | 11:37 | 25.11.2005 | PORSCHE | PET | PORSCHE |
| 996   | 05   | 8  | 07 | 807-03       |              | 194    |       |            |         |     |         |

| Pos | Part Number    | Name  | Remarks | Qty | Model     | Pos | Part Number    | Name   | Remarks   | Qty | Model                     |
|-----|----------------|---|---------|-----|-----------|-----|----------------|--|-----------|-----|---------------------------|
| (9) | 996 551 019 13 | lining<br>lacquered<br>granite grey<br>with<br>handle<br><br>EMW silver | /RL -99 | 1   | M 538     | (9) | 996 551 019 18 | lining<br>lacquered<br>black<br>with<br>handle<br><br>ERF silver | /RL 00    | 1   | M 590                     |
| (9) | 996 551 019 14 | lining<br>lacquered<br>granite grey<br>with<br>handle<br><br>EMW silver | /RL -99 | 1   | M 590     | (9) | 996 551 019 19 | lining<br>lacquered<br>black<br>with<br>handle<br><br>ERF silver | /RL 00    | 1   | M 538/590                 |
| (9) | 996 551 019 15 | lining<br>lacquered<br>granite grey<br>with<br>handle<br><br>EMW silver | /RL -99 | 1   | M 538/590 | 9   | 996 551 119 01 | lining<br>lacquered<br><br>D05 granite grey<br>A03 black         | -99<br>00 | 1   | COUPE/CABRIO              |
| (9) | 996 551 019 09 | lining<br>lacquered<br>black<br>with<br>handle<br><br>ERF silver        | /LL 00  | 1   | M 537     | (9) | 996 551 119 04 | lining<br>A03 black  | 01-       | 1   | COUPE/CABRIO              |
| (9) | 996 551 019 16 | lining<br>lacquered<br>black<br>with<br>handle<br><br>ERF silver        | /LL 00  | 1   | M 590     | (9) | 996 551 119 02 | lining<br>A03 black  | 02-       | 1   | TARGA                     |
| (9) | 996 551 019 17 | lining<br>lacquered<br>black<br>with<br>handle<br><br>ERF silver        | /LL 00  | 1   | M 537/590 | (9) | 996 551 119 05 | lining<br>A03 black  | 01-       | 1   | COUPE/CABRIO<br>M 537/538 |
| (9) | 996 551 019 13 | lining<br>lacquered<br>black<br>with<br>handle<br><br>ERF silver        | /RL 00  | 1   | M 538     | (9) | 996 551 119 03 | lining<br>A03 black  | 538 02-   | 1   | TARGA:M 537/              |
|     |                |   |         |     |           | (9) | 996 551 019 20 | lining<br>complete<br>A03 black                                  | /LL -01   | 1   |                           |
|     |                |   |         |     |           | (9) | 996 551 019 28 | lining<br>complete<br>A03 black                                  | /LL 02-   | 1   | COUPE/CABRIO              |
|     |                |   |         |     |           | (9) | 996 551 019 24 | lining<br>complete<br>A03 black                                  | /LL 02-   | 1   | TARGA                     |
|     |                |   |         |     |           | (9) | 996 551 019 22 | lining<br>complete   | /LL 01    | 1   | M 537                     |



|       |      |    |    |              |              |        |       |            |         |     |         |
|-------|------|----|----|--------------|--------------|--------|-------|------------|---------|-----|---------|
| Model | Year | MG | SG | Illustration | Restrictions | Update | 11:37 | 25.11.2005 | PORSCHE | PET | PORSCHE |
| 996   | 05   | 8  | 07 | 807-03       |              | 194    |       |            |         |     |         |

| Pos | Part Number    | Name                                      | Remarks | Qty | Model                 | Pos | Part Number    | Name                       | Remarks | Qty | Model                   |
|-----|----------------|---|---------|-----|-----------------------|-----|----------------|----------------------------|---------|-----|-------------------------|
| (9) | 996 551 019 30 | A03 black<br>lining complete              | /LL 02- | 1   | COUPE/CABRIO<br>M 537 |     | J31            | nephrite green             |         |     |                         |
| (9) | 996 551 019 26 | A03 black<br>lining complete              | /LL 02- | 1   | TARGA:M 537           |     | M31            | boxster red                |         |     |                         |
| (9) | 996 551 019 21 | A03 black<br>lining complete              | /RL 01  | 1   |                       | (9) | 996 551 980 21 | lining complete<br>leather | /RL 01  | 1   | COUPE/CABRIO<br>M XTG   |
| (9) | 996 551 019 29 | A03 black<br>lining complete              | /RL 02- | 1   | COUPE/CABRIO          |     | A11            | black                      |         |     |                         |
| (9) | 996 551 019 25 | A03 black<br>lining complete              | /RL 02- | 1   | TARGA                 |     | C51            | graphite grey              |         |     |                         |
| (9) | 996 551 019 23 | A03 black<br>lining complete              | /RL 01  | 1   | M 538                 |     | S31            | savanna                    |         |     |                         |
| (9) | 996 551 019 31 | A03 black<br>lining complete              | /RL 02- | 1   | COUPE/CABRIO<br>M 538 | (9) | 996 551 980 22 | lining complete<br>leather | /LL 01  | 1   | COUPE/CABRIO<br>XTG/537 |
| (9) | 996 551 019 27 | A03 black<br>lining lacquered<br>complete | /RL 02- | 1   | TARGA:M 538           |     | A11            | black                      |         |     |                         |
| (9) | 996 551 980 20 | A03 black<br>lining complete<br>leather   | /LL 01  | 1   | COUPE/CABRIO<br>M XTG |     | C51            | graphite grey              |         |     |                         |
|     |                | A11 black                                 |         |     |                       |     | S31            | savanna                    |         |     |                         |
|     |                | C51 graphite grey                         |         |     |                       |     | G11            | metropole blue             |         |     |                         |
|     |                | S31 savanna                               |         |     |                       |     | J31            | nephrite green             |         |     |                         |
|     |                | G11 metropole blue                        |         |     |                       |     | M31            | boxster red                |         |     |                         |
|     |                |   |         |     |                       |     | P12            | cinnamon brown             |         |     |                         |
|     |                |   |         |     |                       |     | D12            | dark grey/natural          |         |     |                         |
|     |                |   |         |     |                       |     | T12            | brown/natural              |         |     |                         |

|       |      |    |    |              |              |        |       |            |         |     |         |
|-------|------|----|----|--------------|--------------|--------|-------|------------|---------|-----|---------|
| Model | Year | MG | SG | Illustration | Restrictions | Update | 11:37 | 25.11.2005 | PORSCHE | PET | PORSCHE |
| 996   | 05   | 8  | 07 | 807-03       |              | 194    |       |            |         |     |         |

| Pos | Part Number    | Name  | Remarks | Qty | Model                   | Pos | Part Number   | Name  | Remarks | Qty | Model                   |
|-----|----------------|---|---------|-----|-------------------------|-----|---|---|---------|-----|-------------------------|
| (9) | 996 551 980 23 | lining<br>complete<br>leather<br>A11 black<br>C51 graphite grey<br>S31 savanna<br>G11 metropole blue<br>J31 nephrite green<br>M31 boxster red<br>P12 cinnamon brown<br>D12 dark grey/natural<br>T12 brown/natural | /RL 01  | 1   | COUPE/CABRIO<br>XTG/538 |     | J31 nephrite green<br>M31 boxster red<br>P12 cinnamon brown<br>D12 dark grey/natural<br>T12 brown/natural |   |         |     |                         |
| (9) | 996 551 980 28 | lining<br>complete<br>leather<br>VRK black<br>C51 graphite grey<br>S31 savanna<br>G11 metropole blue<br>J31 nephrite green<br>M31 boxster red<br>P12 cinnamon brown<br>D12 dark grey/natural<br>T12 brown/natural | /LL 02- | 1   | COUPE/CABRIO<br>XTG     | (9) | 996 551 980 30  | lining<br>complete<br>leather<br>VRK black<br>C51 graphite grey<br>S31 savanna<br>G11 metropole blue<br>J31 nephrite green<br>M31 boxster red<br>P12 cinnamon brown<br>D12 dark grey/natural<br>T12 brown/natural | /LL 02- | 1   | COUPE/CABRIO<br>XTK/537 |
| (9) | 996 551 980 29 | lining<br>complete<br>leather<br>VRK black<br>C51 graphite grey<br>S31 savanna<br>G11 metropole blue  | /RL 02- | 1   | COUPE/CABRIO<br>XTG     | (9) | 996 551 980 31  | lining<br>complete<br>leather<br>VRK black<br>C51 graphite grey<br>S31 savanna<br>G11 metropole blue<br>J31 nephrite green<br>M31 boxster red<br>P12 cinnamon brown<br>D12 dark grey/natural<br>T12 brown/natural | /RL 02- | 1   | COUPE/CABRIO<br>XTG/538 |

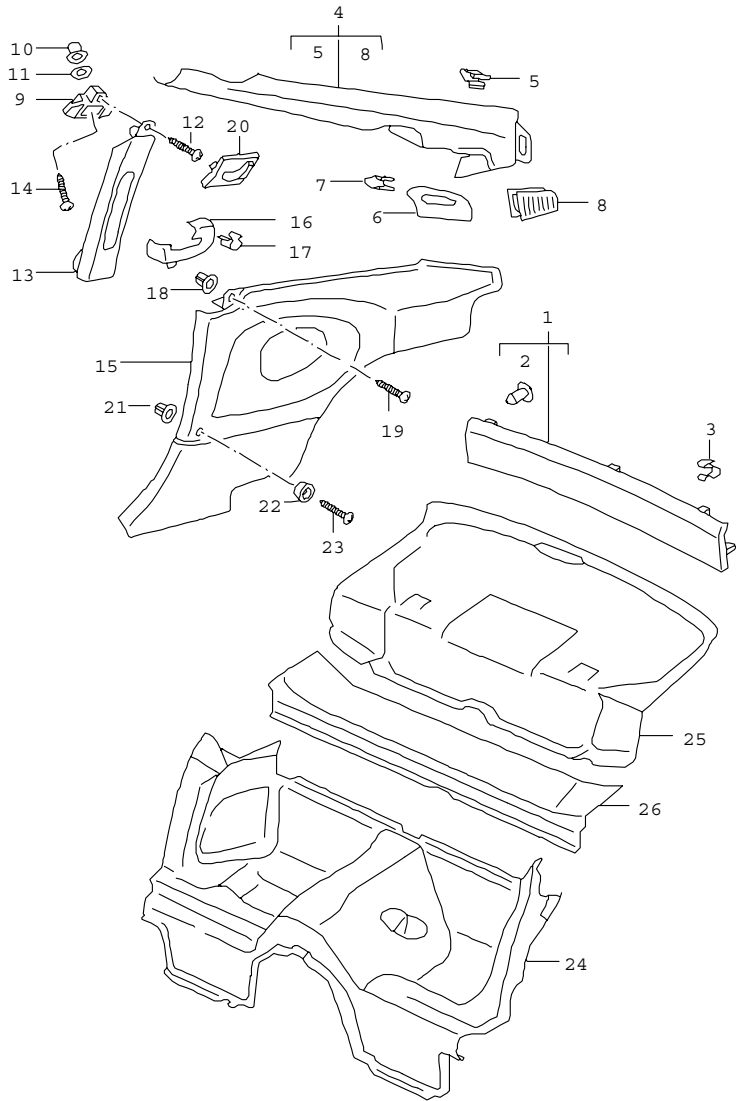
|       |      |    |    |              |              |        |       |            |         |     |         |
|-------|------|----|----|--------------|--------------|--------|-------|------------|---------|-----|---------|
| Model | Year | MG | SG | Illustration | Restrictions | Update | 11:37 | 25.11.2005 | PORSCHE | PET | PORSCHE |
| 996   | 05   | 8  | 07 | 807-03       |              | 194    |       |            |         |     |         |

| Pos | Part Number    | Name                          | Remarks | Qty | Model               | Pos  | Part Number    | Name                                     | Remarks  | Qty | Model               |
|-----|----------------|-------------------------------|---------|-----|---------------------|------|----------------|--|----------|-----|---------------------|
| (9) | 996 551 980 24 | lining<br>complete<br>leather | /LL 02- | 1   | TARGA:XTG           |      | M31            | boxster red                              |          |     |                     |
|     | VRK            | black                         |         |     |                     |      | D12            | dark grey                                |          |     |                     |
|     | C51            | graphite grey                 |         |     |                     |      | T12            | brown/natural                            |          |     |                     |
|     | S31            | savanna                       |         |     |                     |      | P12            | cinnamon brown                           |          |     |                     |
|     | G11            | metropole blue                |         |     |                     | (9)  | 996 551 980 27 | lining                                   | /RL 02-  | 1   | TARGA:XTG/<br>M 538 |
|     | J31            | nephrite green                |         |     |                     |      |                | complete<br>leather                      |          |     |                     |
|     | M31            | boxster red                   |         |     |                     |      | VRK            | black                                    |          |     |                     |
|     | D12            | dark grey                     |         |     |                     |      | C51            | graphite grey                            |          |     |                     |
|     | T12            | brown/natural                 |         |     |                     |      | S31            | savanna                                  |          |     |                     |
|     | P12            | cinnamon brown                |         |     |                     |      | G11            | metropole blue                           |          |     |                     |
| (9) | 996 551 980 25 | lining<br>complete<br>leather | /RL 02- | 1   | TARGA:XTG           |      | J31            | nephrite green                           |          |     |                     |
|     | VRK            | black                         |         |     |                     |      | M31            | boxster red                              |          |     |                     |
|     | C51            | graphite grey                 |         |     |                     |      | D12            | dark grey                                |          |     |                     |
|     | S31            | savanna                       |         |     |                     |      | T12            | brown/natural                            |          |     |                     |
|     | G11            | metropole blue                |         |     |                     | 10   | 996 551 719 00 | bracket<br>not for                       | -00      | 1   | M 590/<br>M 537/538 |
|     | J31            | nephrite green                |         |     |                     | 11   | 999 507 556 02 | speed nut<br>not for<br>M 5              | -00      | 2   | M 590/<br>M 537/538 |
|     | M31            | boxster red                   |         |     |                     | 12   | 900 075 145 02 | hexagon-head bolt<br>not for<br>M 5 X 16 | -00      | 2   | M 590/<br>M 537/538 |
|     | D12            | dark grey                     |         |     |                     | 13   | 996 551 511 03 | handle<br>lacquered                      | /LL/V-00 | 1   |                     |
|     | T12            | brown/natural                 |         |     |                     |      | V01            | silver                                   |          |     |                     |
|     | P12            | cinnamon brown                |         |     |                     | (13) | 996 551 512 05 | handle<br>lacquered                      | /LL/H-00 | 1   |                     |
| (9) | 996 551 980 26 | lining<br>complete<br>leather | /LL 02- | 1   | TARGA:XTG/<br>M 537 |      | V01            | silver                                   |          |     |                     |
|     | VRK            | black                         |         |     |                     | (13) | 996 551 511 04 | handle<br>lacquered                      | /RL/V-00 | 1   |                     |
|     | C51            | graphite grey                 |         |     |                     |      | V01            | silver                                   |          |     |                     |
|     | S31            | savanna                       |         |     |                     |      |                |  |          |     |                     |
|     | G11            | metropole blue                |         |     |                     |      |                |  |          |     |                     |
|     | J31            | nephrite green                |         |     |                     |      |                |  |          |     |                     |

|       |      |    |    |              |              |        |       |            |         |     |         |
|-------|------|----|----|--------------|--------------|--------|-------|------------|---------|-----|---------|
| Model | Year | MG | SG | Illustration | Restrictions | Update | 11:37 | 25.11.2005 | PORSCHE | PET | PORSCHE |
| 996   | 05   | 8  | 07 | 807-03       |              | 194    |       |            |         |     |         |

| Pos  | Part Number    | Name                           | Remarks  | Qty | Model     | Pos  | Part Number    | Name                        | Remarks | Qty | Model      |
|------|----------------|--------------------------------|----------|-----|-----------|------|----------------|-----------------------------|---------|-----|------------|
| (13) | 996 551 512 06 | handle<br>lacquered            | /RL/H-00 | 1   |           | 21   | 996 551 513 00 | mat                         |         | 1   |            |
|      | V01            | silver                         |          |     |           | 22   | 999 919 164 09 | oval-head screw<br>5,0 X 12 |         | 2   |            |
| 14   | 999 088 033 02 | bolt<br>not for<br>6 X 22 X 19 | -00      | 2   | M 537/538 | 23   | 996 551 303 00 | scuff plate                 |         | 2   | CARRERA    |
|      |                |                                |          |     |           |      | D05            | granite grey                | -99     |     |            |
| 15   | 999 166 079 02 | lock<br>not for                | -00      | 2   | M 537/538 |      | A03            | black                       | 00-     |     |            |
| 16   | 999 522 030 00 | tension spring<br>not for      | -00      | 2   | M 537/538 | (23) | 996 551 303 01 | scuff plate                 | 99-     | 2   | CARRERA 4  |
|      |                |                                |          |     |           |      | D05            | granite grey                | -99     |     |            |
| 17   | 999 218 106 02 | screw<br>M 6 X 25              | -00      | 3   |           |      | A03            | black                       | 00-     |     |            |
| (17) | 999 067 046 09 | pan-head screw<br>M 6 X 20     | 01-      | 3   |           | (23) | 996 551 303 03 | scuff plate                 | 00      | 2   | M094       |
|      |                |                                |          |     |           |      | A03            | black                       | 00-     |     |            |
| 18   | 999 703 443 40 | plug<br>8,0 X 11 X 7,2         |          | 3   |           | (23) | 996 551 303 04 | scuff plate                 | 02-     | 2   | CARRERA 4S |
|      | 01C            | satin black                    |          |     |           |      | A03            | black                       | 00-     |     |            |
| 19   | 999 507 484 40 | expander nut                   |          | 18  |           | (23) | 996 551 303 05 | scuff plate<br>lacquered    | 02-     | 2   | TARGA      |
| 20   | 996 551 120 00 | lining<br>tray                 |          | 1   |           |      | A03            | black                       | 00-     |     |            |
|      | D05            | granite grey                   | -99      |     |           | (23) | 996 551 303 06 | scuff plate<br>lacquered    | 04      | 2   | M 095      |
|      | A03            | black                          | 00-      |     |           |      | VTF            | silver metallic             |         |     |            |
| 20   | 996 551 981 01 | lining<br>tray<br>leather      | 01-      | 1   | M XTG     |      |                |                             |         |     |            |
|      | A11            | black                          | 01       |     |           |      |                |                             |         |     |            |
|      | VRK            | black                          | 02-      |     |           |      |                |                             |         |     |            |
|      | C51            | graphite grey                  |          |     |           |      |                |                             |         |     |            |
|      | S31            | savanna                        |          |     |           |      |                |                             |         |     |            |
|      | J31            | nephrite green                 |          |     |           |      |                |                             |         |     |            |
|      | M31            | boxster red                    |          |     |           |      |                |                             |         |     |            |
|      | G11            | metropole blue                 |          |     |           |      |                |                             |         |     |            |
|      | D12            | dark grey                      |          |     |           |      |                |                             |         |     |            |
|      | T12            | brown/natural                  |          |     |           |      |                |                             |         |     |            |
|      | P12            | cinnamon brown                 |          |     |           |      |                |                             |         |     |            |
|      |                |                                |          |     |           |      |                |                             |         |     |            |

|       |      |    |    |              |              |        |       |            |         |     |         |
|-------|------|----|----|--------------|--------------|--------|-------|------------|---------|-----|---------|
| Model | Year | MG | SG | Illustration | Restrictions | Update | 11:37 | 25.11.2005 | PORSCHE | PET | PORSCHE |
| 996   | 05   | 8  | 07 | 807-05       |              | 194    |       |            |         |     |         |



| Pos | Part Number    | Name               | Remarks | Qty | Model |
|-----|----------------|--------------------|---------|-----|-------|
| 1   | 996 555 081 02 | linings rear       |         | 1   | COUPE |
|     |                | lining leatherette |         |     |       |
|     |                | A18 black          | -99     |     |       |
|     |                | C18 graphite grey  | -99     |     |       |
|     |                | S18 savanna        | -99     |     |       |
|     |                | G18 metropole blue | -99     |     |       |
|     |                | B18 space grey     | -99     |     |       |
|     |                | A12 black          | 00-     |     |       |
|     |                | C52 graphite grey  | 00-     |     |       |
|     |                | S32 savanna        | 00-     |     |       |
|     |                | G12 metropole blue | 00-     |     |       |
|     |                | B52 space grey     | 00      |     |       |
|     |                | J32 nephrite green | 01-     |     |       |
| 1   | 996 555 081 03 | lining leather     |         | 1   |       |
|     |                | A11 black          |         |     |       |
|     |                | C51 graphite grey  |         |     |       |
|     |                | S31 savanna        |         |     |       |
|     |                | G11 metropole blue |         |     |       |
|     |                | J31 nephrite green |         |     |       |
|     |                | M31 boxster red    |         |     |       |
|     |                | B51 space grey     | -00     |     |       |
|     |                | P12 cinnamon brown | 01-     |     |       |
|     |                | D12 dark grey      | 00-     |     |       |
|     |                | T12 brown/natural  | 00-     |     |       |
| 2   | 999 507 687 05 | fixing clip        |         | 5   |       |
| 3   | 999 651 307 02 | cable clamp 18,0   |         | 3   |       |

|       |      |    |    |              |              |        |       |            |         |     |         |
|-------|------|----|----|--------------|--------------|--------|-------|------------|---------|-----|---------|
| Model | Year | MG | SG | Illustration | Restrictions | Update | 11:37 | 25.11.2005 | PORSCHE | PET | PORSCHE |
| 996   | 05   | 8  | 07 | 807-05       |              | 194    |       |            |         |     |         |

| Pos | Part Number    | Name                           | Remarks | Qty | Model | Pos | Part Number    | Name                              | Remarks | Qty | Model |
|-----|----------------|--------------------------------|---------|-----|-------|-----|----------------|-----------------------------------|---------|-----|-------|
| (4) | 996 555 187 02 | lining<br>upper<br>leatherette | /L      | 1   |       |     | C51            | graphite grey                     |         |     |       |
|     | A18            | black                          | -99     |     |       |     | S31            | savanna                           |         |     |       |
|     | C18            | graphite grey                  | -99     |     |       |     | G11            | metropole blue                    |         |     |       |
|     | S18            | savanna                        | -99     |     |       |     | J31            | nephrite green                    |         |     |       |
|     | G18            | metropole blue                 | -99     |     |       |     | M31            | boxster red                       |         |     |       |
|     | B18            | space grey                     | -99     |     |       |     | B51            | space grey                        | -00     |     |       |
|     | A12            | black                          | 00-     |     |       |     | P12            | cinnamon brown                    | 01-     |     |       |
|     | C52            | graphite grey                  | 00-     |     |       |     | D12            | dark grey                         | 00-     |     |       |
|     | S32            | savanna                        | 00-     |     |       |     | T12            | brown/natural                     | 00-     |     |       |
|     | G12            | metropole blue                 | 00-     |     |       | 4   | 996 555 188 03 | lining<br>upper<br>leather        | /R      | 1   |       |
|     | B52            | space grey                     | 00      |     |       |     | A11            | black                             |         |     |       |
|     | J32            | nephrite green                 | 01-     |     |       |     | C51            | graphite grey                     |         |     |       |
| 4   | 996 555 188 02 | lining<br>upper<br>leatherette | /R      | 1   |       |     | S31            | savanna                           |         |     |       |
|     | A18            | black                          | -99     |     |       |     | G11            | metropole blue                    |         |     |       |
|     | C18            | graphite grey                  | -99     |     |       |     | J31            | nephrite green                    |         |     |       |
|     | S18            | savanna                        | -99     |     |       |     | M31            | boxster red                       |         |     |       |
|     | G18            | metropole blue                 | -99     |     |       |     | B51            | space grey                        | -00     |     |       |
|     | B18            | space grey                     | -99     |     |       |     | P12            | cinnamon brown                    | 01-     |     |       |
|     | A12            | black                          | 00-     |     |       |     | D12            | dark grey                         | 00-     |     |       |
|     | C52            | graphite grey                  | 00-     |     |       |     | T12            | brown/natural                     | 00-     |     |       |
|     | S32            | savanna                        | 00-     |     |       | -   | 999 551 609 40 | plastic washer<br>8, 0 X 23 X 3,0 |         | 16  |       |
|     | G12            | metropole blue                 | 00-     |     |       | 5   | 999 507 676 09 | clamp<br>2,7/2,20                 |         | 2   |       |
|     | B52            | space grey                     | 00      |     |       | 5   | 999 507 479 09 | clamp<br>2,5/0,9                  |         | 4   |       |
|     | J32            | nephrite green                 | 01-     |     |       | (6) | 996 555 545 01 | rose<br>lacquered                 | /L      | 1   |       |
| (4) | 996 555 187 03 | lining<br>upper<br>leather     | /L      | 1   |       |     | D05            | granite grey                      | -99     |     |       |
|     | A11            | black                          |         |     |       |     | A03            | black                             | 00-     |     |       |

|       |      |    |    |              |              |        |       |            |         |     |         |
|-------|------|----|----|--------------|--------------|--------|-------|------------|---------|-----|---------|
| Model | Year | MG | SG | Illustration | Restrictions | Update | 11:37 | 25.11.2005 | PORSCHE | PET | PORSCHE |
| 996   | 05   | 8  | 07 | 807-05       |              | 194    |       |            |         |     |         |

| Pos  | Part Number    | Name                 | Remarks | Qty | Model | Pos  | Part Number    | Name                              | Remarks | Qty | Model |
|------|----------------|----------------------|---------|-----|-------|------|----------------|-----------------------------------|---------|-----|-------|
|      | C53            | graphite grey        | 00-     |     |       | 11   | 900 151 006 09 | washer                            |         | 2   |       |
|      | S33            | savanna              | 00-     |     |       | (11) | 999 025 268 09 | washer<br>6,4                     | 00-     | 2   |       |
|      | G13            | metropole blue       | 00-     |     |       | 12   | 999 919 164 09 | oval-head screw<br>5,0 X 12,0     | -99     | 2   |       |
|      | B13            | space grey           | 00      |     |       | (12) | 999 073 060 02 | tapping screw<br>4,8 X 13         | 00-     | 2   |       |
|      | J33            | nephrite green       | 00-     |     |       | (13) | 996 555 183 02 | lining<br>b-pillar<br>leatherette | /L -99  | 1   |       |
| 6    | 996 555 546 01 | rose<br>lacquered    | /R      | 1   |       |      |                |                                   |         |     |       |
|      | D05            | granite grey         | -99     |     |       |      | A18            | black                             |         |     |       |
|      | A03            | black                | 00-     |     |       |      | C18            | graphite grey                     |         |     |       |
|      | C53            | graphite grey        | 00-     |     |       |      | S18            | savanna                           |         |     |       |
|      | S33            | savanna              | 00-     |     |       |      | G18            | metropole blue                    |         |     |       |
|      | G13            | metropole blue       | 00-     |     |       |      | B18            | space grey                        |         |     |       |
|      | B13            | space grey           | 00      |     |       | 13   | 996 555 184 02 | lining<br>b-pillar<br>leatherette | /R -99  | 1   |       |
|      | J33            | nephrite green       | 00-     |     |       |      | A18            | black                             |         |     |       |
|      | M33            | boxster red          |         |     |       |      | C18            | graphite grey                     |         |     |       |
| 7    | 999 507 533 02 | clamp                |         | 2   |       |      | S18            | savanna                           |         |     |       |
| (8)  | 996 555 645 00 | grille<br>lacquered  | /L      | 1   |       |      | G18            | metropole blue                    |         |     |       |
| 8    | 996 555 646 00 | grille<br>lacquered  | /R      | 1   |       |      | B18            | space grey                        |         |     |       |
|      | D05            | granite grey         |         |     |       | (13) | 996 555 183 04 | lining<br>b-pillar<br>leatherette | /L 00-  | 1   |       |
| (9)  | 996 555 821 01 | bracket<br>coat hook | /L -99  | 1   |       |      | A12            | black                             |         |     |       |
| 9    | 996 555 822 01 | bracket<br>coat hook | /R -99  | 1   |       |      | C52            | graphite grey                     |         |     |       |
| (9)  | 996 555 821 02 | bracket<br>coat hook | /L 00-  | 1   |       |      | S32            | savanna                           |         |     |       |
| (9)  | 996 555 822 02 | bracket<br>coat hook | /R 00-  | 1   |       |      | G12            | metropole blue                    |         |     |       |
| 10   | 999 500 069 02 | nut                  | -01     | 2   |       |      | B52            | space grey                        | 00      |     |       |
| (10) | 999 507 695 02 | speed nut<br>4,2     |         | 2   |       | (13) | 996 555 184 04 | lining<br>b-pillar<br>leatherette | /R 00-  | 1   |       |
|      |                |                      |         |     |       |      | J32            | nephrite green                    | 01-     |     |       |

|       |      |    |    |              |              |        |       |            |         |     |         |
|-------|------|----|----|--------------|--------------|--------|-------|------------|---------|-----|---------|
| Model | Year | MG | SG | Illustration | Restrictions | Update | 11:37 | 25.11.2005 | PORSCHE | PET | PORSCHE |
| 996   | 05   | 8  | 07 | 807-05       |              | 194    |       |            |         |     |         |

| Pos  | Part Number    | Name                          | Remarks | Qty | Model | Pos  | Part Number    | Name                           | Remarks | Qty | Model |
|------|----------------|-------------------------------|---------|-----|-------|------|----------------|--------------------------------|---------|-----|-------|
|      | A12            | black                         |         |     |       |      | G11            | metropole blue                 |         |     |       |
|      | C52            | graphite grey                 |         |     |       |      | B51            | space grey                     | -00     |     |       |
|      | S32            | savanna                       |         |     |       |      | J31            | nephrite green                 |         |     |       |
|      | G12            | metropole blue                |         |     |       |      | M31            | boxster red                    |         |     |       |
|      | B52            | space grey                    | 00      |     |       |      | P12            | cinnamon brown                 | 01-     |     |       |
|      | J32            | nephrite green                | 01-     |     |       |      | D12            | dark grey                      | 00-     |     |       |
| (13) | 996 555 183 03 | lining<br>b-pillar<br>leather | /L -99  | 1   |       |      | T12            | brown/natural                  | 00-     |     |       |
|      | A11            | black                         |         |     |       | (13) | 996 555 184 05 | lining<br>b-pillar<br>leather  | /R 00-  | 1   |       |
|      | C51            | graphite grey                 |         |     |       |      | A11            | black                          |         |     |       |
|      | S31            | savanna                       |         |     |       |      | C51            | graphite grey                  |         |     |       |
|      | G11            | metropole blue                |         |     |       |      | S31            | savanna                        |         |     |       |
|      | B51            | space grey                    | -00     |     |       |      | G11            | metropole blue                 |         |     |       |
|      | J31            | nephrite green                |         |     |       |      | B51            | space grey                     | -00     |     |       |
|      | M31            | boxster red                   |         |     |       |      | J31            | nephrite green                 |         |     |       |
| 13   | 996 555 184 03 | lining<br>b-pillar<br>leather | /R -99  | 1   |       |      | M31            | boxster red                    |         |     |       |
|      | A11            | black                         |         |     |       |      | P12            | cinnamon brown                 | 01-     |     |       |
|      | C51            | graphite grey                 |         |     |       |      | D12            | dark grey                      | 00-     |     |       |
|      | S31            | savanna                       |         |     |       |      | T12            | brown/natural                  | 00-     |     |       |
|      | G11            | metropole blue                |         |     |       | --   | 996 555 859 00 | grommet<br>b-pillar            | 00-     | 2   |       |
|      | B51            | space grey                    | -00     |     |       | 14   | 999 073 130 02 | oval-head screw<br>M 6 X 16    |         | 1   |       |
|      | J31            | nephrite green                |         |     |       | (15) | 996 555 071 08 | side trim panel<br>leatherette | /L 98   | 1   |       |
|      | M31            | boxster red                   |         |     |       |      | DEO            | black                          | -99     |     |       |
| (13) | 996 555 183 05 | lining<br>b-pillar<br>leather | /L 00-  | 1   |       |      | DEQ            | graphite grey                  | -99     |     |       |
|      | A11            | black                         |         |     |       |      | DET            | savanna                        | -99     |     |       |
|      | C51            | graphite grey                 |         |     |       |      | DFE            | metropole blue                 | -99     |     |       |
|      | S31            | savanna                       |         |     |       |      | DFK            | space grey                     | -99     |     |       |



|       |      |    |    |              |              |        |       |            |         |     |         |
|-------|------|----|----|--------------|--------------|--------|-------|------------|---------|-----|---------|
| Model | Year | MG | SG | Illustration | Restrictions | Update | 11:37 | 25.11.2005 | PORSCHE | PET | PORSCHE |
| 996   | 05   | 8  | 07 | 807-05       |              | 194    |       |            |         |     |         |

| Pos  | Part Number    | Name                        | Remarks | Qty | Model | Pos  | Part Number    | Name                    | Remarks | Qty | Model |
|------|----------------|-----------------------------|---------|-----|-------|------|----------------|-------------------------|---------|-----|-------|
| 15   | 996 555 072 08 | side trim panel leatherette | /R 98   | 1   |       |      | EVR            | space grey              | 00      |     |       |
|      | DEO            | black                       | -99     |     |       |      | FDH            | nephrite green          | 01-     |     |       |
|      | DEQ            | graphite grey               | -99     |     |       | (15) | 996 555 071 11 | side trim panel leather | /L      | 1   |       |
|      | DET            | savanna                     | -99     |     |       |      | DFO            | black                   | -99     |     |       |
|      | DFE            | metropole blue              | -99     |     |       |      | DFY            | space grey              | -00     |     |       |
|      | DFK            | space grey                  | -99     |     |       | 15   | 996 555 072 11 | side trim panel leather | /R      | 1   |       |
| (15) | 996 555 071 10 | side trim panel leatherette | /L 99-  | 1   |       |      | DFO            | black                   | -99     |     |       |
|      | DEO            | black                       | -99     |     |       |      | DFY            | space grey              | -00     |     |       |
|      | DEQ            | graphite grey               | -99     |     |       | (15) | 996 555 071 11 | side trim panel leather | /L      | 1   |       |
|      | DET            | savanna                     | -99     |     |       |      | EVS            | black                   |         |     |       |
|      | DFE            | metropole blue              | -99     |     |       |      | DFV            | graphite grey           |         |     |       |
|      | DFK            | space grey                  | -99     |     |       |      | DFW            | savanna                 |         |     |       |
|      | EVN            | black                       | 00-     |     |       |      | DFX            | metropole blue          |         |     |       |
|      | EVO            | graphite grey               | 00-     |     |       |      | DFZ            | nephrite green          |         |     |       |
|      | EVP            | savanna                     | 00-     |     |       |      | DGA            | boxster red             |         |     |       |
|      | EVQ            | metropole blue              | 00-     |     |       |      | FEK            | cinnamon brown          |         |     |       |
|      | EVR            | space grey                  | 00      |     |       |      | VRT            | dark grey/natural       |         |     |       |
|      | FDH            | nephrite green              | 01-     |     |       |      | VRU            | brown/natural           |         |     |       |
| 15   | 996 555 072 10 | side trim panel leatherette | /R 99-  | 1   |       | 15   | 996 555 072 11 | side trim panel leather | /R      | -02 | 1     |
|      | DEO            | black                       | -99     |     |       |      | EVS            | black                   |         |     |       |
|      | DEQ            | graphite grey               | -99     |     |       |      | DFV            | graphite grey           |         |     |       |
|      | DET            | savanna                     | -99     |     |       |      | DFW            | savanna                 |         |     |       |
|      | DFE            | metropole blue              | -99     |     |       |      | DFX            | metropole blue          |         |     |       |
|      | DFK            | space grey                  | -99     |     |       |      | DFZ            | nephrite green          |         |     |       |
|      | EVN            | black                       | 00-     |     |       |      | DGA            | boxster red             |         |     |       |
|      | EVO            | graphite grey               | 00-     |     |       |      | FEK            | cinnamon brown          |         |     |       |
|      | EVP            | savanna                     | 00-     |     |       |      | VRT            | dark grey/natural       |         |     |       |
|      | EVQ            | metropole blue              | 00-     |     |       |      |                |                         |         |     |       |

|       |      |    |    |              |              |        |       |            |         |     |         |
|-------|------|----|----|--------------|--------------|--------|-------|------------|---------|-----|---------|
| Model | Year | MG | SG | Illustration | Restrictions | Update | 11:37 | 25.11.2005 | PORSCHE | PET | PORSCHE |
| 996   | 05   | 8  | 07 | 807-05       |              | 194    |       |            |         |     |         |

| Pos  | Part Number    | Name  | Remarks | Qty | Model | Pos  | Part Number    | Name                           | Remarks | Qty | Model |
|------|----------------|---|---------|-----|-------|------|----------------|--------------------------------|---------|-----|-------|
| (15) | 996 555 071 16 | VRU brown/natural<br>side trim panel<br>leather       | /L 03-  | 1   |       | (16) | 996 555 061 00 | rose<br>seat belt<br>lacquered | /L 00-  | 1   |       |
|      |                | EVS black   |         |     |       |      | A03            | black                          |         |     |       |
|      |                | DFV graphite grey                                     |         |     |       |      | C53            | graphite grey                  |         |     |       |
|      |                | DFW savanna   |         |     |       |      | S33            | savanna                        |         |     |       |
|      |                | DFX metropole blue                                    |         |     |       |      | G13            | metropole blue                 |         |     |       |
|      |                | DFZ nephrite green                                    |         |     |       |      | B13            | space grey                     | 00      |     |       |
|      |                | DGA boxer red   |         |     |       |      | J33            | nephrite green                 |         |     |       |
|      |                | FEK cinnamon brown                                    |         |     |       |      | M33            | boxster red                    |         |     |       |
|      |                | VRT dark grey/natural                                 |         |     |       |      | P13            | cinnamon brown                 | 01-     |     |       |
| 15   | 996 555 072 16 | VRU brown/natural<br>side trim panel<br>leather       | /R 03-  | 1   |       | 16   | 996 555 062 00 | rose<br>seat belt<br>lacquered | /R 00-  | 1   |       |
|      |                | EVS black   |         |     |       |      | A03            | black                          |         |     |       |
|      |                | DFV graphite grey                                     |         |     |       |      | C53            | graphite grey                  |         |     |       |
|      |                | DFW savanna   |         |     |       |      | S33            | savanna                        |         |     |       |
|      |                | DFX metropole blue                                    |         |     |       |      | G13            | metropole blue                 |         |     |       |
|      |                | DFZ nephrite green                                    |         |     |       |      | B13            | space grey                     | 00      |     |       |
|      |                | DGA boxer red   |         |     |       |      | J33            | nephrite green                 |         |     |       |
|      |                | FEK cinnamon brown                                    |         |     |       |      | M33            | boxster red                    |         |     |       |
|      |                | VRT dark grey/natural                                 |         |     |       |      | P13            | cinnamon brown                 | 01-     |     |       |
| --   | 999 551 609 40 | VRU brown/natural<br>plastic washer<br>8,0 X 23 X 3,0 |         | 6   |       | 19   | 999 073 079 02 | tapping screw<br>4,2 X 19      |         | 2   |       |
| (16) | 996 555 061 00 | rose<br>seat belt<br>lacquered                        | /L -99  | 1   |       | (20) | 996 555 571 01 | coat hook<br>lacquered         | /L -99  | 1   |       |
|      |                | D05 granite grey                                      |         |     |       |      | D05            | granite grey                   |         |     |       |
| 16   | 996 555 062 00 | rose<br>seat belt<br>lacquered                        | /R -99  | 1   |       | 20   | 996 555 572 01 | coat hook<br>lacquered         | /R -99  | 1   |       |
|      |                | D05 granite grey                                      |         |     |       |      | D05            | granite grey                   |         |     |       |
|      |                |   |         |     |       | (20) | 996 555 571 02 | coat hook<br>lacquered         | /L 00-  | 1   |       |

|       |      |    |    |              |              |        |       |            |         |     |         |
|-------|------|----|----|--------------|--------------|--------|-------|------------|---------|-----|---------|
| Model | Year | MG | SG | Illustration | Restrictions | Update | 11:37 | 25.11.2005 | PORSCHE | PET | PORSCHE |
| 996   | 05   | 8  | 07 | 807-05       |              | 194    |       |            |         |     |         |

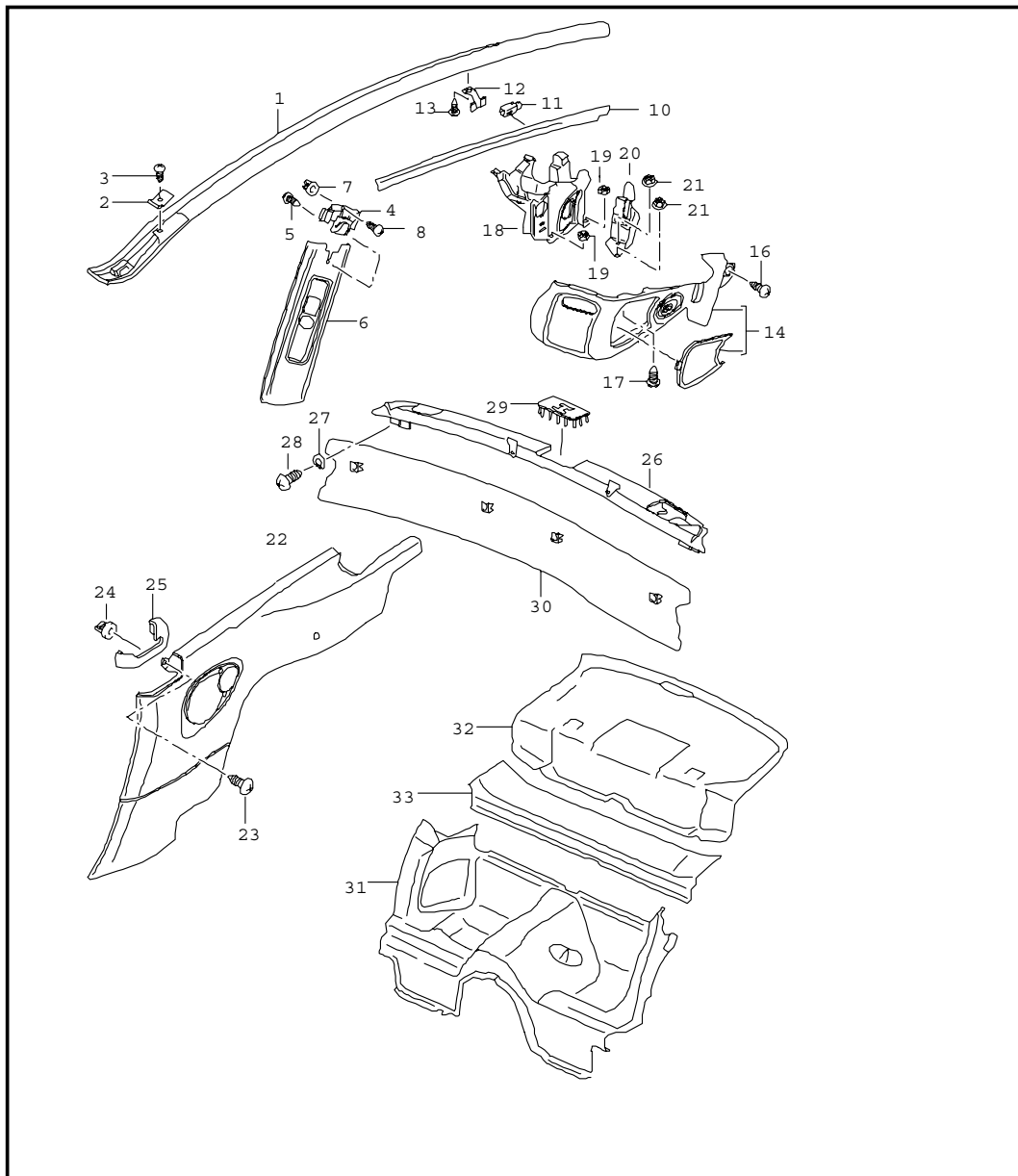
| Pos  | Part Number    | Name                                   | Remarks | Qty | Model | Pos  | Part Number    | Name                                   | Remarks | Qty | Model |
|------|----------------|--|---------|-----|-------|------|----------------|--|---------|-----|-------|
|      | A03            | black                                  |         |     |       |      | J30            | nephrite green                         |         |     |       |
|      | C53            | graphite grey                          |         |     |       |      | M30            | boxster red                            |         |     |       |
|      | S33            | savanna                                |         |     |       |      | D11            | dark grey                              | 00-     |     |       |
|      | G13            | metropole blue                         |         |     |       |      | T11            | brown/natural                          | 00-     |     |       |
|      | B13            | space grey                             | 00      |     |       | 24   | 996 551 021 09 | adhesive carpet<br>seat well<br>carpet | 01      | 1   |       |
|      | J33            | nephrite green                         |         |     |       |      | A10            | black                                  |         |     |       |
|      | M33            | boxster red                            |         |     |       |      | C50            | graphite grey                          |         |     |       |
|      | P13            | cinnamon brown                         | 01-     |     |       |      | S30            | savanna                                |         |     |       |
| (20) | 996 555 572 02 | coat hook<br>lacquered                 | /R 00-  | 1   |       |      | G10            | metropole blue                         |         |     |       |
|      | A03            | black                                  |         |     |       |      | J30            | nephrite green                         |         |     |       |
|      | C53            | graphite grey                          |         |     |       |      | M30            | boxster red                            |         |     |       |
|      | S33            | savanna                                |         |     |       |      | P11            | cinnamon brown                         | 01-     |     |       |
|      | G13            | metropole blue                         |         |     |       |      | D11            | dark grey                              | 00-     |     |       |
|      | B13            | space grey                             | 00      |     |       |      | T11            | brown/natural                          | 00-     |     |       |
|      | J33            | nephrite green                         |         |     |       | (24) | 996 551 021 05 | adhesive carpet<br>seat well<br>carpet | 02-     | 1   |       |
|      | M33            | boxster red                            |         |     |       |      | A10            | black                                  |         |     |       |
|      | P13            | cinnamon brown                         | 01-     |     |       |      | C50            | graphite grey                          |         |     |       |
| 21   | 999 507 050 40 | expander nut<br>4,2                    |         | 2   |       |      | S30            | savanna                                |         |     |       |
| 22   | 999 591 116 07 | cone washer<br>4,5                     |         | 2   |       |      | G10            | metropole blue                         |         |     |       |
| 23   | 900 144 182 09 | tapping screw<br>4,2 X 32              |         | 2   |       |      | J30            | nephrite green                         |         |     |       |
| 24   | 996 551 021 00 | adhesive carpet<br>seat well<br>carpet | -00     | 1   |       |      | M30            | boxster red                            |         |     |       |
|      | A10            | black                                  |         |     |       |      | P11            | cinnamon brown                         | 01-     |     |       |
|      | C50            | graphite grey                          |         |     |       |      | D11            | dark grey                              | 00-     |     |       |
|      | S30            | savanna                                |         |     |       |      | T11            | brown/natural                          | 00-     |     |       |
|      | G10            | metropole blue                         |         |     |       | 25   | 996 551 031 00 | adhesive carpet                        | -99     | 1   |       |
|      | B50            | space grey                             | -00     |     |       |      | A10            | black                                  |         |     |       |
|      |                |  |         |     |       |      | C50            | graphite grey                          |         |     |       |

|       |      |    |    |              |              |        |       |            |         |     |         |
|-------|------|----|----|--------------|--------------|--------|-------|------------|---------|-----|---------|
| Model | Year | MG | SG | Illustration | Restrictions | Update | 11:37 | 25.11.2005 | PORSCHE | PET | PORSCHE |
| 996   | 05   | 8  | 07 | 807-05       |              | 194    |       |            |         |     |         |

| Pos  | Part Number    | Name            | Remarks | Qty | Model     | Pos  | Part Number    | Name            | Remarks | Qty | Model     |
|------|----------------|-----------------|---------|-----|-----------|------|----------------|-----------------|---------|-----|-----------|
|      | S30            | savanna         |         |     |           |      | S30            | savanna         |         |     |           |
|      | G10            | metropole blue  |         |     |           |      | G10            | metropole blue  |         |     |           |
|      | B50            | space grey      | -00     |     |           |      | J30            | nephrite green  |         |     |           |
|      | J30            | nephrite green  |         |     |           |      | M30            | boxster red     |         |     |           |
|      | M30            | boxster red     |         |     |           |      | P11            | cinnamon brown  | 01-     |     |           |
| 25   | 996 551 031 00 | adhesive carpet | 00-01   | 1   |           |      | D11            | dark grey       | 00-     |     |           |
|      | A10            | black           |         |     |           |      | T11            | brown/natural   | 00-     |     |           |
|      | C50            | graphite grey   |         |     |           | (25) | 996 551 031 14 | adhesive carpet | 02-     | 1   |           |
|      | S30            | savanna         |         |     |           |      | A10            | black           |         |     |           |
|      | G10            | metropole blue  |         |     |           |      | C50            | graphite grey   |         |     |           |
|      | B50            | space grey      | -00     |     |           |      | S30            | savanna         |         |     |           |
|      | J30            | nephrite green  |         |     |           |      | G10            | metropole blue  |         |     |           |
|      | M30            | boxster red     |         |     |           |      | J30            | nephrite green  |         |     |           |
|      | P11            | cinnamon brown  | 01-     |     |           |      | M30            | boxster red     |         |     |           |
|      | D11            | dark grey       | 00-     |     |           |      | P11            | cinnamon brown  | 01-     |     |           |
|      | T11            | brown/natural   | 00-     |     |           |      | D11            | dark grey       | 00-     |     |           |
| (25) | 996 551 031 01 | adhesive carpet | -00     | 1   | M 113/479 |      | T11            | brown/natural   | 00-     |     |           |
|      | A10            | black           |         |     |           | (25) | 996 551 031 06 | adhesive carpet | 02-     | 1   | M 680     |
|      | C50            | graphite grey   |         |     |           |      | A10            | black           |         |     |           |
|      | S30            | savanna         |         |     |           |      | C50            | graphite grey   |         |     |           |
|      | G10            | metropole blue  |         |     |           |      | S30            | savanna         |         |     |           |
|      | B50            | space grey      | -00     |     |           |      | G10            | metropole blue  |         |     |           |
|      | J30            | nephrite green  |         |     |           |      | J30            | nephrite green  |         |     |           |
|      | M30            | boxster red     |         |     |           |      | M30            | boxster red     |         |     |           |
|      | D11            | dark grey       | 00-     |     |           |      | P11            | cinnamon brown  | 01-     |     |           |
|      | T11            | brown/natural   | 00-     |     |           |      | D11            | dark grey       | 00-     |     |           |
| (25) | 996 551 031 01 | adhesive carpet | 01      | 1   | M 479     |      | T11            | brown/natural   | 00-     |     |           |
|      | A10            | black           |         |     |           | (25) | 996 551 031 15 | adhesive carpet | 02-     | 1   | M 479/484 |
|      | C50            | graphite grey   |         |     |           |      | A10            | black           |         |     |           |



|       |      |    |    |              |              |        |       |            |         |     |         |
|-------|------|----|----|--------------|--------------|--------|-------|------------|---------|-----|---------|
| Model | Year | MG | SG | Illustration | Restrictions | Update | 11:37 | 25.11.2005 | PORSCHE | PET | PORSCHE |
| 996   | 05   | 8  | 07 | 807-06       |              | 194    |       |            |         |     |         |



| Pos | Part Number    | Name                                 | Remarks | Qty | Model |
|-----|----------------|--------------------------------------|---------|-----|-------|
|     |                | linings<br>rear                      | 02-     |     | TARGA |
| (1) | 996 555 195 00 | lining<br>roof pillar<br>leatherette | /L      | 1   |       |
|     | A12            | black                                |         |     |       |
|     | C52            | graphite grey                        |         |     |       |
|     | S32            | savanna                              |         |     |       |
|     | G12            | metropole blue                       |         |     |       |
|     | J32            | nephrite green                       |         |     |       |
| 1   | 996 555 196 00 | lining<br>roof pillar<br>leatherette | /R      | 1   |       |
|     | A12            | black                                |         |     |       |
|     | C52            | graphite grey                        |         |     |       |
|     | S32            | savanna                              |         |     |       |
|     | G12            | metropole blue                       |         |     |       |
|     | J32            | nephrite green                       |         |     |       |
| (1) | 996 555 195 01 | lining<br>roof pillar<br>leather     | /L      | 1   |       |
|     | A11            | black                                |         |     |       |
|     | C51            | graphite grey                        |         |     |       |
|     | S31            | savanna                              |         |     |       |
|     | G11            | metropole blue                       |         |     |       |
|     | J31            | nephrite green                       |         |     |       |
|     | M31            | boxster red                          |         |     |       |
|     | P12            | cinnamon brown                       |         |     |       |
|     | D12            | dark grey                            |         |     |       |
|     | T12            | brown/natural                        |         |     |       |
| 1   | 996 555 196 01 | lining<br>roof pillar<br>leather     | /R      | 1   |       |
|     | A11            | black                                |         |     |       |

|       |      |    |    |              |              |        |       |            |         |     |         |
|-------|------|----|----|--------------|--------------|--------|-------|------------|---------|-----|---------|
| Model | Year | MG | SG | Illustration | Restrictions | Update | 11:37 | 25.11.2005 | PORSCHE | PET | PORSCHE |
| 996   | 05   | 8  | 07 | 807-06       |              | 194    |       |            |         |     |         |

| Pos | Part Number    | Name                      | Remarks | Qty | Model | Pos | Part Number    | Name                              | Remarks | Qty | Model |
|-----|----------------|---------------------------|---------|-----|-------|-----|----------------|-----------------------------------|---------|-----|-------|
|     | C51            | graphite grey             |         |     |       |     | A03            | black                             |         |     |       |
|     | S31            | savanna                   |         |     |       |     | C53            | graphite grey                     |         |     |       |
|     | G11            | metropole blue            |         |     |       |     | S33            | savanna                           |         |     |       |
|     | J31            | nephrite green            |         |     |       |     | G13            | metropole blue                    |         |     |       |
|     | M31            | boxster red               |         |     |       |     | J33            | nephrite green                    |         |     |       |
|     | P12            | cinnamon brown            |         |     |       |     | M33            | boxster red                       |         |     |       |
|     | D12            | dark grey                 |         |     |       |     | P13            | cinnamon brown                    |         |     |       |
|     | T12            | brown/natural             |         |     |       |     |                |                                   |         |     |       |
| -   | 996 555 887 00 | pipng                     |         | 2   |       | -   | 996 555 772 00 | cover<br>coat hook                | /R      | 1   |       |
| (2) | 996 555 879 00 | cover                     | /L      | 1   |       |     | A03            | black                             |         |     |       |
|     | 01C            | satin black               |         |     |       |     | C53            | graphite grey                     |         |     |       |
| 2   | 996 555 880 00 | cover                     | /R      | 1   |       |     | S33            | savanna                           |         |     |       |
|     | 01C            | satin black               |         |     |       |     | G13            | metropole blue                    |         |     |       |
| 3   | 999 073 218 09 | tapping screw<br>4,2 X 16 |         | 2   |       |     | J33            | nephrite green                    |         |     |       |
| (4) | 996 555 571 03 | coat hook<br>lacquered    | /L      | 1   |       |     | M33            | boxster red                       |         |     |       |
|     | A03            | black                     |         |     |       | 5   | 999 919 164 09 | tapping screw<br>5,0 X 12         |         | 2   |       |
|     | C53            | graphite grey             |         |     |       | (6) | 996 555 183 06 | lining<br>b-pillar<br>leatherette | /L      | 1   |       |
|     | S33            | savanna                   |         |     |       |     | A12            | black                             |         |     |       |
|     | G13            | metropole blue            |         |     |       |     | C52            | graphite grey                     |         |     |       |
|     | J33            | nephrite green            |         |     |       |     | S32            | savanna                           | -04     |     |       |
| 4   | 996 555 572 03 | coat hook<br>lacquered    | /R      | 1   |       |     | G12            | metropole blue                    | -04     |     |       |
|     | A03            | black                     |         |     |       |     | J32            | nephrite green                    | -03     |     |       |
|     | C53            | graphite grey             |         |     |       | 6   | 996 555 184 06 | lining<br>b-pillar<br>leatherette | /R      | 1   |       |
|     | S33            | savanna                   |         |     |       |     | A12            | black                             |         |     |       |
|     | G13            | metropole blue            |         |     |       |     | C52            | graphite grey                     |         |     |       |
|     | J33            | nephrite green            |         |     |       |     | S32            | savanna                           | -04     |     |       |
| -   | 996 555 771 00 | cover<br>coat hook        | /L      | 1   |       |     |                |                                   |         |     |       |

|       |      |    |    |              |              |        |       |            |         |     |         |
|-------|------|----|----|--------------|--------------|--------|-------|------------|---------|-----|---------|
| Model | Year | MG | SG | Illustration | Restrictions | Update | 11:37 | 25.11.2005 | PORSCHE | PET | PORSCHE |
| 996   | 05   | 8  | 07 | 807-06       |              | 194    |       |            |         |     |         |

| Pos  | Part Number    | Name                           | Remarks | Qty | Model | Pos  | Part Number    | Name                           | Remarks | Qty | Model |
|------|----------------|--------------------------------|---------|-----|-------|------|----------------|--------------------------------|---------|-----|-------|
|      | G12            | metropole blue                 | -04     |     |       |      | C52            | graphite grey                  |         |     |       |
|      | J32            | nephrite green                 | -03     |     |       |      | S32            | savanna                        |         |     |       |
| (6)  | 996 555 183 07 | lining<br>b-pillar<br>leather  | /L      | 1   |       |      | G12            | metropole blue                 |         |     |       |
|      | A11            | black                          |         |     |       | 10   | 996 555 188 04 | lining<br>upper<br>leatherette | /R      | 1   |       |
|      | C51            | graphite grey                  |         |     |       |      | A12            | black                          |         |     |       |
|      | S31            | savanna                        |         |     |       |      | C52            | graphite grey                  |         |     |       |
|      | G11            | metropole blue                 |         |     |       |      | S32            | savanna                        |         |     |       |
|      | J31            | nephrite green                 | -03     |     |       |      | G12            | metropole blue                 |         |     |       |
|      | M31            | boxster red                    |         |     |       |      | J32            | nephrite green                 |         |     |       |
|      | P12            | cinnamon brown                 |         |     |       | (10) | 996 555 187 05 | lining<br>upper<br>leather     | /L      | 1   |       |
|      | D12            | dark grey                      |         |     |       |      | A11            | black                          |         |     |       |
| 6    | 996 555 184 07 | lining<br>b-pillar<br>leather  | /R      | 1   |       |      | C51            | graphite grey                  |         |     |       |
|      | A11            | black                          |         |     |       |      | S31            | savanna                        |         |     |       |
|      | C51            | graphite grey                  |         |     |       |      | G11            | metropole blue                 |         |     |       |
|      | S31            | savanna                        |         |     |       |      | J31            | nephrite green                 |         |     |       |
|      | G11            | metropole blue                 |         |     |       |      | M31            | boxster red                    |         |     |       |
|      | J31            | nephrite green                 | -03     |     |       |      | P12            | cinnamon brown                 |         |     |       |
|      | M31            | boxster red                    |         |     |       |      | D12            | dark grey                      |         |     |       |
|      | P12            | cinnamon brown                 |         |     |       |      | T12            | brown/natural                  |         |     |       |
|      | D12            | dark grey                      |         |     |       | 10   | 996 555 188 05 | lining<br>upper<br>leather     | /R      | 1   |       |
|      | T12            | brown/natural                  |         |     |       |      | A11            | black                          |         |     |       |
| 7    | 999 507 755 40 | expander nut                   |         | 2   |       |      | C51            | graphite grey                  |         |     |       |
| 8    | 999 073 064 02 | oval-head screw<br>4,8 X 25    |         | 2   |       |      | S31            | savanna                        |         |     |       |
| (10) | 996 555 187 04 | lining<br>upper<br>leatherette | /L      | 1   |       |      | G11            | metropole blue                 |         |     |       |
|      | A12            | black                          |         |     |       |      | J31            | nephrite green                 |         |     |       |



|       |      |    |    |              |              |        |       |            |         |     |         |
|-------|------|----|----|--------------|--------------|--------|-------|------------|---------|-----|---------|
| Model | Year | MG | SG | Illustration | Restrictions | Update | 11:37 | 25.11.2005 | PORSCHE | PET | PORSCHE |
| 996   | 05   | 8  | 07 | 807-06       |              | 194    |       |            |         |     |         |

| Pos  | Part Number    | Name                      | Remarks | Qty | Model | Pos  | Part Number    | Name                        | Remarks | Qty | Model |
|------|----------------|---------------------------|---------|-----|-------|------|----------------|-----------------------------|---------|-----|-------|
|      | M31            | boxster red               |         |     |       |      | S33            | savanna                     |         |     |       |
|      | P12            | cinnamon brown            |         |     |       |      | G13            | metropole blue              |         |     |       |
|      | D12            | dark grey                 |         |     |       |      | J33            | nephrite green              | -03     |     |       |
|      | T12            | brown/natural             |         |     |       |      | M33            | boxster red                 |         |     |       |
| 11   | 996 555 581 00 | mounting clip             |         | 10  |       |      | P13            | cinnamon brown              |         |     |       |
| 12   | 996 555 875 00 | clamp                     |         | 4   |       | 14   | 996 555 246 01 | cover seat belt lacquered   | /R 05-  | 1   |       |
| 13   | 999 073 218 09 | tapping screw 4,2 X 16    |         | 4   |       |      | A03            | black                       |         |     |       |
| (14) | 996 555 245 00 | cover seat belt lacquered | /L -04  | 1   |       |      | C53            | graphite grey               |         |     |       |
|      | A03            | black                     |         |     |       |      | S33            | savanna                     |         |     |       |
|      | C53            | graphite grey             |         |     |       |      | G13            | metropole blue              |         |     |       |
|      | S33            | savanna                   |         |     |       |      | M33            | boxster red                 |         |     |       |
|      | G13            | metropole blue            |         |     |       | --   | 996 555 877 00 | clamp                       |         | 2   |       |
|      | J33            | nephrite green            | -03     |     |       | 16   | 999 073 251 09 | tapping screw 4,2 X 25      |         | 2   |       |
|      | M33            | boxster red               |         |     |       | 17   | 999 073 226 09 | tapping screw 4,2 X 16      |         | 2   |       |
| (14) | 996 555 245 01 | cover seat belt lacquered | /L 05-  | 1   |       | (18) | 996 555 175 00 | support                     | /L -02  | 1   |       |
|      | A03            | black                     |         |     |       | (18) | 996 555 175 01 | support                     | /L 03-  | 1   |       |
|      | C53            | graphite grey             |         |     |       | 18   | 996 555 176 00 | support                     | /R -02  | 1   |       |
|      | S33            | savanna                   |         |     |       | 18   | 996 555 176 01 | support                     | /R 03-  | 1   |       |
|      | G13            | metropole blue            |         |     |       | 19   | 999 084 629 09 | hexagon nut M 6             |         | 4   |       |
|      | M33            | boxster red               |         |     |       | (20) | 996 555 503 00 | support                     | /L      | 1   |       |
|      | P13            | cinnamon brown            |         |     |       | 20   | 996 555 504 00 | support                     | /R      | 1   |       |
| 14   | 996 555 246 00 | cover seat belt lacquered | /R -04  | 1   |       | 21   | 999 049 022 40 | plastic nut                 |         | 4   |       |
|      | A03            | black                     |         |     |       | (22) | 996 555 071 14 | side trim panel leatherette | /L      | 1   |       |
|      | C53            | graphite grey             |         |     |       |      | EVN            | black                       |         |     |       |
|      |                |                           |         |     |       |      | EVO            | graphite grey               |         |     |       |

|       |      |    |    |              |              |        |       |            |         |     |         |
|-------|------|----|----|--------------|--------------|--------|-------|------------|---------|-----|---------|
| Model | Year | MG | SG | Illustration | Restrictions | Update | 11:37 | 25.11.2005 | PORSCHE | PET | PORSCHE |
| 996   | 05   | 8  | 07 | 807-06       |              | 194    |       |            |         |     |         |

| Pos  | Part Number    | Name                        | Remarks | Qty | Model | Pos  | Part Number    | Name                     | Remarks | Qty | Model |
|------|----------------|-----------------------------|---------|-----|-------|------|----------------|--------------------------|---------|-----|-------|
|      |                | EVP savanna                 |         |     |       |      |                | VRU brown/natural        |         |     |       |
|      |                | EVQ metropole blue          |         |     |       | (22) | 996 555 071 18 | side trim panel leather  | /L 03-  | 1   |       |
|      |                | FDH nephrite green          |         |     |       |      |                | EVS black                |         |     |       |
| 22   | 996 555 072 14 | side trim panel leatherette | /R      | 1   |       |      |                | DFV graphite grey        |         |     |       |
|      |                | EVN black                   |         |     |       |      |                | DFW savanna              |         |     |       |
|      |                | EVO graphite grey           |         |     |       |      |                | DFX metropole blue       |         |     |       |
|      |                | EVP savanna                 |         |     |       |      |                | DFZ nephrite green       |         |     |       |
|      |                | EVQ metropole blue          |         |     |       |      |                | DGA boxster red          |         |     |       |
|      |                | FDH nephrite green          |         |     |       |      |                | FEK cinnamon brown       |         |     |       |
| (22) | 996 555 071 15 | side trim panel leather     | /L 02   | 1   |       |      |                | VRT dark grey/natural    |         |     |       |
|      |                | EVS black                   |         |     |       |      |                | VRU brown/natural        |         |     |       |
|      |                | DFV graphite grey           |         |     |       | 22   | 996 555 072 18 | side trim panel leather  | /R 03-  | 1   |       |
|      |                | DFW savanna                 |         |     |       |      |                | EVS black                |         |     |       |
|      |                | DFX metropole blue          |         |     |       |      |                | DFV graphite grey        |         |     |       |
|      |                | DFZ nephrite green          |         |     |       |      |                | DFW savanna              |         |     |       |
|      |                | DGA boxster red             |         |     |       |      |                | DFX metropole blue       |         |     |       |
|      |                | FEK cinnamon brown          |         |     |       |      |                | DFZ nephrite green       |         |     |       |
|      |                | VRT dark grey/natural       |         |     |       |      |                | DGA boxster red          |         |     |       |
|      |                | VRU brown/natural           |         |     |       |      |                | FEK cinnamon brown       |         |     |       |
| 22   | 996 555 072 15 | side trim panel leather     | /R 02   | 1   |       |      |                | VRT dark grey/natural    |         |     |       |
|      |                | EVS black                   |         |     |       |      |                | VRU brown/natural        |         |     |       |
|      |                | DFV graphite grey           |         |     |       | 23   | 999 073 079 02 | tapping screw 4,2 X 19   |         | 2   |       |
|      |                | DFW savanna                 |         |     |       | 24   | 999 507 050 40 | expansion rivet          |         | 2   |       |
|      |                | DFX metropole blue          |         |     |       | (25) | 996 555 061 00 | rose seat belt lacquered | /L      | 1   |       |
|      |                | DFZ nephrite green          |         |     |       |      |                | A03 black                |         |     |       |
|      |                | DGA boxster red             |         |     |       |      |                | C53 graphite grey        |         |     |       |
|      |                | FEK cinnamon brown          |         |     |       |      |                | S33 savanna              |         |     |       |
|      |                | VRT dark grey/natural       |         |     |       |      |                |                          |         |     |       |

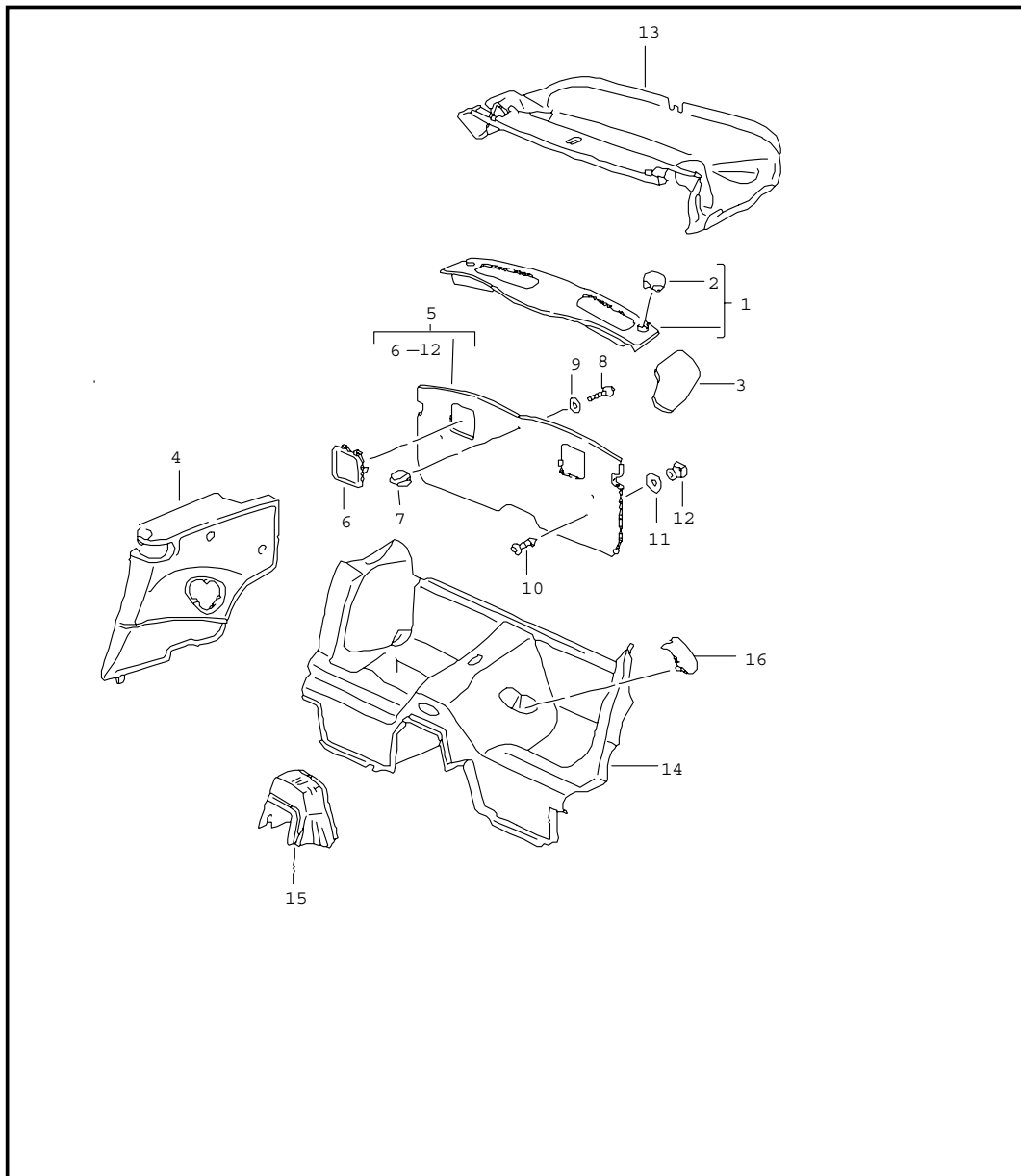
|       |      |    |    |              |              |        |       |            |         |     |         |
|-------|------|----|----|--------------|--------------|--------|-------|------------|---------|-----|---------|
| Model | Year | MG | SG | Illustration | Restrictions | Update | 11:37 | 25.11.2005 | PORSCHE | PET | PORSCHE |
| 996   | 05   | 8  | 07 | 807-06       |              | 194    |       |            |         |     |         |

| Pos  | Part Number    | Name                            | Remarks | Qty | Model | Pos  | Part Number    | Name                                   | Remarks | Qty | Model     |
|------|----------------|---------------------------------|---------|-----|-------|------|----------------|--|---------|-----|-----------|
|      | G13            | metropole blue                  |         |     |       |      | M30            | boxster red                            |         |     |           |
|      | J33            | nephrite green                  |         |     |       |      | P11            | cinnamon brown                         |         |     |           |
|      | M33            | boxster red                     |         |     |       |      | D11            | dark grey                              |         |     |           |
|      | P13            | cinnamon brown                  |         |     |       |      | T11            | brown/natural                          |         |     |           |
| 25   | 996 555 062 00 | rose<br>seat belt<br>lacquered  | /R      | 1   |       | 31   | 996 551 021 05 | adhesive carpet<br>seat well<br>carpet |         | 1   | M 685/XSN |
|      | A03            | black                           |         |     |       |      | A10            | black                                  |         |     |           |
|      | C53            | graphite grey                   |         |     |       |      | C50            | graphite grey                          |         |     |           |
|      | S33            | savanna                         |         |     |       |      | S30            | savanna                                |         |     |           |
|      | G13            | metropole blue                  |         |     |       |      | G10            | metropole blue                         |         |     |           |
|      | J33            | nephrite green                  |         |     |       |      | J30            | nephrite green                         |         |     |           |
|      | M33            | boxster red                     |         |     |       |      | M30            | boxster red                            |         |     |           |
|      | P13            | cinnamon brown                  |         |     |       |      | P11            | cinnamon brown                         |         |     |           |
| 26   | 996 555 151 00 | lining<br>rear wall             |         | 1   |       |      | D11            | dark grey                              |         |     |           |
|      | A03            | black                           |         |     |       |      | T11            | brown/natural                          |         |     |           |
| (26) | 996 555 151 01 | lining<br>rear wall             |         | 1   | M 425 | 32   | 996 551 031 02 | adhesive carpet                        |         | 1   |           |
|      | A03            | black                           |         |     |       |      | A10            | black                                  |         |     |           |
|      |                |                                 |         |     |       |      | C50            | graphite grey                          |         |     |           |
| 27   | 999 507 782 01 | spring washer<br>5,3 X 18       |         | 2   |       |      | S30            | savanna                                |         |     |           |
| 28   | 999 073 061 02 | tapping screw                   |         | 4   |       |      | G10            | metropole blue                         |         |     |           |
| 29   | 996 555 885 00 | rose<br>rear wall<br>upper part |         | 1   |       |      | J30            | nephrite green                         |         |     |           |
|      |                |                                 |         |     |       |      | M30            | boxster red                            |         |     |           |
| 30   | 996 555 081 08 | lining<br>rear wall<br>carpet   |         | 1   |       |      | P11            | cinnamon brown                         |         |     |           |
|      | A10            | black                           |         |     |       | (32) | 996 551 031 03 | adhesive carpet                        |         | 1   | M 479/484 |
|      | C50            | graphite grey                   |         |     |       |      | A10            | black                                  |         |     |           |
|      | S30            | savanna                         |         |     |       |      | C50            | graphite grey                          |         |     |           |
|      | G10            | metropole blue                  |         |     |       |      | S30            | savanna                                |         |     |           |
|      | J30            | nephrite green                  |         |     |       |      |                |  |         |     |           |

|       |      |    |    |              |              |        |       |            |         |     |         |
|-------|------|----|----|--------------|--------------|--------|-------|------------|---------|-----|---------|
| Model | Year | MG | SG | Illustration | Restrictions | Update | 11:37 | 25.11.2005 | PORSCHE | PET | PORSCHE |
| 996   | 05   | 8  | 07 | 807-06       |              | 194    |       |            |         |     |         |

| Pos | Part Number    | Name                              | Remarks | Qty | Model | Pos | Part Number | Name | Remarks | Qty | Model |
|-----|----------------|-----------------------------------|---------|-----|-------|-----|-------------|------|---------|-----|-------|
|     | G10            | metropole blue                    |         |     |       |     |             |      |         |     |       |
|     | J30            | nephrite green                    |         |     |       |     |             |      |         |     |       |
|     | M30            | boxster red                       |         |     |       |     |             |      |         |     |       |
|     | P11            | cinnamon brown                    |         |     |       |     |             |      |         |     |       |
|     | D11            | dark grey                         |         |     |       |     |             |      |         |     |       |
|     | T11            | brown/natural                     |         |     |       |     |             |      |         |     |       |
| --  | 996 551 551 00 | cover<br>child car seat<br>mount  |         | 2   | M 113 |     |             |      |         |     |       |
| 33  | 997 551 033 00 | lining<br>control units<br>carpet |         | 1   |       |     |             |      |         |     |       |
|     | A10            | black                             |         |     |       |     |             |      |         |     |       |
|     | C50            | graphite grey                     |         |     |       |     |             |      |         |     |       |
|     | S30            | savanna                           |         |     |       |     |             |      |         |     |       |
|     | G10            | metropole blue                    |         |     |       |     |             |      |         |     |       |
|     | J30            | nephrite green                    | -03     |     |       |     |             |      |         |     |       |
|     | M30            | boxster red                       |         |     |       |     |             |      |         |     |       |
|     | P11            | cinnamon brown                    |         |     |       |     |             |      |         |     |       |
|     | D11            | dark grey                         |         |     |       |     |             |      |         |     |       |
|     | T11            | brown/natural                     |         |     |       |     |             |      |         |     |       |
|     |                | - - - E N D - - -                 |         |     |       |     |             |      |         |     |       |

|       |      |    |    |              |              |        |       |            |         |     |         |
|-------|------|----|----|--------------|--------------|--------|-------|------------|---------|-----|---------|
| Model | Year | MG | SG | Illustration | Restrictions | Update | 11:37 | 25.11.2005 | PORSCHE | PET | PORSCHE |
| 996   | 05   | 8  | 07 | 807-07       |              | 194    |       |            |         |     |         |



| Pos | Part Number    | Name  | Remarks | Qty | Model  |
|-----|----------------|---|---------|-----|--------|
| 1   | 996 555 083 02 | linings rear<br>cover convertible top cloth<br>EDK black<br>EDM metropole blue<br>EDL graphite grey   | -99     | 1   | CABRIO |
| 1   | 996 555 083 03 | cover F >>99YS6 42288<br>F >>99YS6 52803<br>convertible top cloth<br>EDK black<br>EDL graphite grey<br>ERN metropole blue<br>EDN space grey | 00      | 1   |        |
| 1   | 996 555 083 04 | cover F 99YS6 42289>><br>F 99YS6 52804>><br>convertible top cloth<br>EDK black<br>EDL graphite grey<br>ERN metropole blue                   | 00-     | 1   |        |
| -   | 996 555 341 01 | flap cover<br>A07 black<br>C07 graphite grey<br>G03 metropole blue  | /L      | 1   |        |
| -   | 996 555 342 01 | flap cover<br>A07 black<br>C07 graphite grey<br>G03 metropole blue  | /R      | 1   |        |

|       |      |    |    |              |              |        |       |            |         |     |         |
|-------|------|----|----|--------------|--------------|--------|-------|------------|---------|-----|---------|
| Model | Year | MG | SG | Illustration | Restrictions | Update | 11:37 | 25.11.2005 | PORSCHE | PET | PORSCHE |
| 996   | 05   | 8  | 07 | 807-07       |              | 194    |       |            |         |     |         |

| Pos | Part Number    | Name                      | Remarks | Qty | Model | Pos | Part Number    | Name                             | Remarks | Qty | Model |
|-----|----------------|---------------------------|---------|-----|-------|-----|----------------|----------------------------------|---------|-----|-------|
| --  | 996 555 355 00 | hinge<br>outer            |         | 2   |       | 3   | 996 555 264 03 | flap<br>cloth<br>convertible top | /R 00-  | 1   |       |
| --  | 996 555 356 00 | hinge<br>inner            |         | 2   |       |     | A07            | black                            |         |     |       |
| --  | 996 580 667 00 | support                   |         | 2   |       |     | C07            | graphite grey                    |         |     |       |
| --  | 999 591 489 02 | speed nut<br>4,8          |         | 2   |       |     | G03            | metropole blue                   | 00-     |     |       |
| --  | 999 073 060 02 | tapping screw<br>4,8 X 13 |         | 3   |       |     | B07            | space grey                       | -00     |     |       |
| 2   | 996 555 457 00 | cover<br>lacquered        |         | 2   |       | (4) | 996 555 071 12 | side trim panel<br>leatherette   | /L -99  | 1   |       |
|     | A10            | black                     |         |     |       |     | DEO            | black                            |         |     |       |
|     | C50            | graphite grey             |         |     |       |     | DEQ            | graphite grey                    |         |     |       |
|     | G10            | metropole blue            |         |     |       |     | DET            | savanna                          |         |     |       |
|     | B50            | space grey                | -00     |     |       |     | DFE            | metropole blue                   |         |     |       |
| (3) | 996 555 263 02 | flap<br>convertible top   | /L -99  | 1   |       | 4   | 996 555 072 12 | side trim panel<br>leatherette   | /R -99  | 1   |       |
|     | A07            | black                     |         |     |       |     | DEO            | black                            |         |     |       |
|     | C07            | graphite grey             |         |     |       |     | DEQ            | graphite grey                    |         |     |       |
|     | G07            | metropole blue            | -99     |     |       |     | DET            | savanna                          |         |     |       |
|     | B07            | space grey                | -00     |     |       |     | DFE            | metropole blue                   |         |     |       |
| 3   | 996 555 264 02 | flap<br>convertible top   | /R -99  | 1   |       | (4) | 996 555 071 12 | side trim panel<br>leatherette   | /L 00-  | 1   |       |
|     | A07            | black                     |         |     |       |     | EVN            | black                            |         |     |       |
|     | C07            | graphite grey             |         |     |       |     | EVO            | graphite grey                    |         |     |       |
|     | G07            | metropole blue            | -99     |     |       |     | EVP            | savanna                          |         |     |       |
|     | B07            | space grey                | -00     |     |       |     | EVQ            | metropole blue                   |         |     |       |
| (3) | 996 555 263 03 | flap<br>convertible top   | /L 00-  | 1   |       |     | EVR            | space grey                       | 00      |     |       |
|     | A07            | black                     |         |     |       |     | FDH            | nephrite green                   | 01-     |     |       |
|     | C07            | graphite grey             |         |     |       |     |                |                                  |         |     |       |
|     | G03            | metropole blue            | 00-     |     |       | 4   | 996 555 072 12 | side trim panel<br>leatherette   | /R 00-  | 1   |       |
|     | B07            | space grey                | -00     |     |       |     | EVN            | black                            |         |     |       |

|       |      |    |    |              |              |        |       |            |         |     |         |
|-------|------|----|----|--------------|--------------|--------|-------|------------|---------|-----|---------|
| Model | Year | MG | SG | Illustration | Restrictions | Update | 11:37 | 25.11.2005 | PORSCHE | PET | PORSCHE |
| 996   | 05   | 8  | 07 | 807-07       |              | 194    |       |            |         |     |         |

| Pos | Part Number    | Name                    | Remarks | Qty | Model | Pos | Part Number    | Name                             | Remarks | Qty | Model |
|-----|----------------|-------------------------|---------|-----|-------|-----|----------------|----------------------------------|---------|-----|-------|
|     | EVO            | graphite grey           |         |     |       |     | FEK            | cinnamon brown                   |         |     |       |
|     | EVP            | savanna                 |         |     |       |     | VRT            | dark grey/natural                |         |     |       |
|     | EVQ            | metropole blue          |         |     |       |     | VRU            | brown/natural                    |         |     |       |
|     | EVR            | space grey              | 00      |     |       | (4) | 996 555 071 17 | side trim panel                  | /L 03-  | 1   |       |
|     | FDH            | nephrite green          | 01-     |     |       |     | EVS            | black                            |         |     |       |
| (4) | 996 555 071 13 | side trim panel leather | /L      | 1   |       |     | DFV            | graphite grey                    |         |     |       |
|     | DFO            | black                   | -99     |     |       |     | DFW            | savanna                          |         |     |       |
|     | DFY            | space grey              | -00     |     |       |     | DFX            | metropole blue                   |         |     |       |
| 4   | 996 555 072 13 | side trim panel leather | /R      | 1   |       |     | DFZ            | nephrite green                   |         |     |       |
|     | DFO            | black                   | -99     |     |       |     | DGA            | boxster red                      |         |     |       |
|     | DFY            | space grey              | -00     |     |       |     | FEK            | cinnamon brown                   |         |     |       |
| (4) | 996 555 071 13 | side trim panel         | /L -02  | 1   |       |     | VRT            | dark grey/natural                |         |     |       |
|     | EVS            | black                   |         |     |       | 4   | 996 555 072 17 | side trim panel                  | /R 03-  | 1   |       |
|     | DFV            | graphite grey           |         |     |       |     | EVS            | black                            |         |     |       |
|     | DFW            | savanna                 |         |     |       |     | DFV            | graphite grey                    |         |     |       |
|     | DFX            | metropole blue          |         |     |       |     | DFW            | savanna                          |         |     |       |
|     | DFZ            | nephrite green          |         |     |       |     | DFX            | metropole blue                   |         |     |       |
|     | DGA            | boxster red             |         |     |       |     | DFZ            | nephrite green                   |         |     |       |
|     | FEK            | cinnamon brown          |         |     |       |     | DGA            | boxster red                      |         |     |       |
|     | VRT            | dark grey/natural       |         |     |       |     | FEK            | cinnamon brown                   |         |     |       |
|     | VRU            | brown/natural           |         |     |       |     | VRT            | dark grey/natural                |         |     |       |
| 4   | 996 555 072 13 | side trim panel         | /R -02  | 1   |       |     | VRU            | brown/natural                    |         |     |       |
|     | EVS            | black                   |         |     |       | --  | 999 551 609 40 | plastic washer<br>8,0 X 23 X 3,0 |         | 2   |       |
|     | DFV            | graphite grey           |         |     |       | --  | 999 507 676 09 | clamp<br>2,5/2,2                 |         | 2   |       |
|     | DFW            | savanna                 |         |     |       | --  | 999 507 050 40 | expansion rivet                  |         | 2   |       |
|     | DFX            | metropole blue          |         |     |       | --  | 999 073 142 09 | oval-head screw<br>4,2 X 19      |         | 2   |       |
|     | DFZ            | nephrite green          |         |     |       |     |                |                                  |         |     |       |
|     | DGA            | boxster red             |         |     |       |     |                |                                  |         |     |       |

|       |      |    |    |              |              |        |       |            |         |     |         |
|-------|------|----|----|--------------|--------------|--------|-------|------------|---------|-----|---------|
| Model | Year | MG | SG | Illustration | Restrictions | Update | 11:37 | 25.11.2005 | PORSCHE | PET | PORSCHE |
| 996   | 05   | 8  | 07 | 807-07       |              | 194    |       |            |         |     |         |

| Pos | Part Number    | Name                           | Remarks | Qty | Model | Pos | Part Number    | Name                       | Remarks | Qty | Model |
|-----|----------------|--------------------------------|---------|-----|-------|-----|----------------|----------------------------|---------|-----|-------|
| --  | 999 073 048 02 | tapping screw<br>3,5 X 13      |         | 2   |       |     | G10            | metropole blue             |         |     |       |
| --  | 996 555 671 01 | rose<br>seat belt<br>lacquered | /L      | 1   |       |     | B50            | space grey                 | -00     |     |       |
|     | D05            | granite grey                   | -99     |     |       |     | J30            | nephrite green             |         |     |       |
|     | A03            | black                          | 00-     |     |       |     | M30            | boxster red                |         |     |       |
|     | C53            | graphite grey                  | 00-     |     |       |     | P11            | cinnamon brown             | 01-     |     |       |
|     | S33            | savanna                        | 00-     |     |       |     | D11            | dark grey                  | 00-     |     |       |
|     | G13            | metropole blue                 | 00-     |     |       |     | T11            | brown/natural              | 00-     |     |       |
|     | B13            | space grey                     | 00      |     |       | 5   | 996 555 281 07 | back wall lining<br>carpet |         | 1   | M 479 |
|     | J33            | nephrite green                 | 00-     |     |       |     | A10            | black                      |         |     |       |
|     | M33            | boxster red                    | 00-     |     |       |     | C50            | graphite grey              |         |     |       |
|     | P13            | cinnamon brown                 | 01-     |     |       |     | S30            | savanna                    |         |     |       |
| --  | 996 555 672 01 | rose<br>seat belt<br>lacquered | /R      | 1   |       |     | G10            | metropole blue             |         |     |       |
|     | D05            | granite grey                   | -99     |     |       |     | B50            | space grey                 | -00     |     |       |
|     | A03            | black                          | 00-     |     |       |     | J30            | nephrite green             |         |     |       |
|     | C53            | graphite grey                  | 00-     |     |       |     | M30            | boxster red                |         |     |       |
|     | S33            | savanna                        | 00-     |     |       |     | P11            | cinnamon brown             | 01-     |     |       |
|     | G13            | metropole blue                 | 00-     |     |       |     | D11            | dark grey                  | 00-     |     |       |
|     | B13            | space grey                     | 00      |     |       |     | T11            | brown/natural              | 00-     |     |       |
|     | J33            | nephrite green                 | 00-     |     |       | 6   | 996 555 785 00 | cover<br>release<br>carpet |         | 1   | M 479 |
|     | M33            | boxster red                    | 00-     |     |       |     | EDA            | black                      |         |     |       |
|     | P13            | cinnamon brown                 | 01-     |     |       |     | EDB            | graphite grey              |         |     |       |
| --  | 999 507 533 02 | clamp                          |         | 4   |       |     | EDC            | savanna                    |         |     |       |
| (5) | 996 555 281 06 | back wall lining<br>carpet     |         | 1   |       |     | EDD            | metropole blue             |         |     |       |
|     | A10            | black                          |         |     |       |     | EDE            | space grey                 | -00     |     |       |
|     | C50            | graphite grey                  |         |     |       |     | EDF            | nephrite green             |         |     |       |
|     | S30            | savanna                        |         |     |       |     | EDG            | boxster red                |         |     |       |
|     |                |                                |         |     |       |     | FDJ            | cinnamon brown             | 01-     |     |       |
|     |                |                                |         |     |       |     | VSM            | dark grey                  | 00-     |     |       |



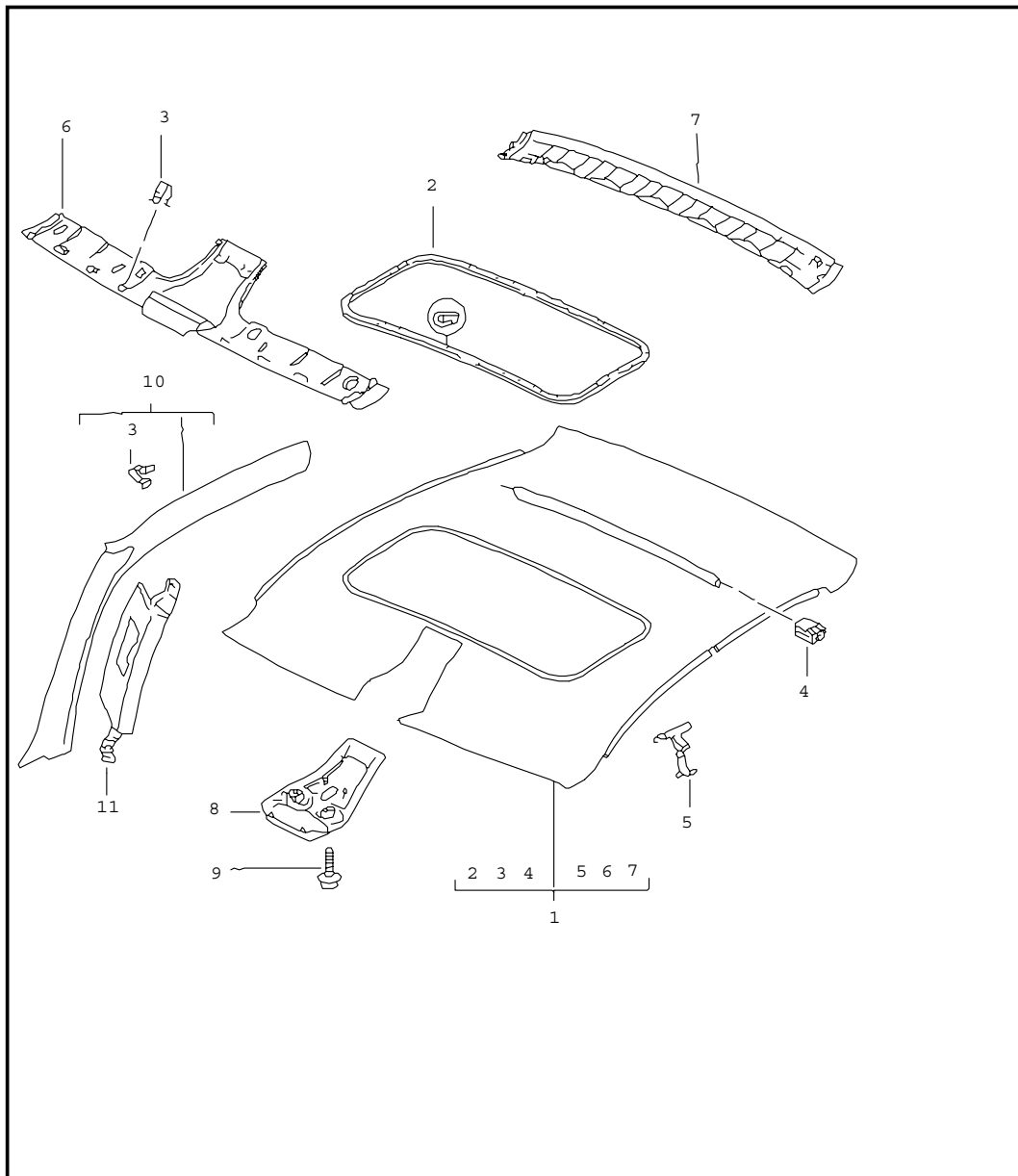
|       |      |    |    |              |              |        |       |            |         |     |         |
|-------|------|----|----|--------------|--------------|--------|-------|------------|---------|-----|---------|
| Model | Year | MG | SG | Illustration | Restrictions | Update | 11:37 | 25.11.2005 | PORSCHE | PET | PORSCHE |
| 996   | 05   | 8  | 07 | 807-07       |              | 194    |       |            |         |     |         |

| Pos  | Part Number      | Name  | Remarks | Qty | Model | Pos  | Part Number    | Name                          | Remarks          | Qty | Model |
|------|------------------|---|---------|-----|-------|------|----------------|-------------------------------|------------------|-----|-------|
|      | VSN              | brown/natural   | 00-     |     |       | 14   | 996 551 021 03 | lining<br>seat well<br>carpet | 00               | 1   |       |
| 7    | 996 555 789 00   | base<br>wind deflector                                |         | 1   |       |      | A10            | black                         |                  |     |       |
|      | 01C              | satin black   |         |     |       |      | C50            | graphite grey                 |                  |     |       |
| 10   | W 999 507 381 40 | catch<br>13,5   |         | 4   |       |      | S30            | savanna                       |                  |     |       |
| (10) | 999 073 062 02   | tapping screw<br>4,8 X 19                             |         | 2   |       |      | G10            | metropole blue                |                  |     |       |
| 11   | W 999 591 483 40 | washer<br>20,3 X 1,5                                  |         | 4   |       |      | B50            | space grey                    | -00              |     |       |
| 13   | 996 551 035 01   | lining<br>convertible top frame<br>carpet<br>14.10.98 |         | 1   |       |      | J30            | nephrite green                |                  |     |       |
|      | B04              | dark grey   |         |     |       |      | M30            | boxster red                   |                  |     |       |
| (13) | 996 551 035 03   | lining<br>convertible top frame<br>carpet<br>15.10.98 | -01     | 1   |       | 14   | 996 551 021 10 | lining<br>seat well<br>carpet | 00-<br>00-<br>01 | 1   |       |
|      | B04              | dark grey   |         |     |       |      | A10            | black                         |                  |     |       |
| (13) | 996 551 035 04   | lining<br>convertible top frame<br>carpet             | 02-     | 1   |       |      | C50            | graphite grey                 |                  |     |       |
|      | B04              | dark grey   |         |     |       |      | S30            | savanna                       |                  |     |       |
| --   | 999 703 432 40   | plug<br>8,2 X 18                                      |         | 6   |       |      | G10            | metropole blue                |                  |     |       |
| 14   | 996 551 021 01   | lining<br>seat well<br>carpet                         | -99     | 1   |       |      | J30            | nephrite green                |                  |     |       |
|      | A10              | black   |         |     |       |      | M30            | boxster red                   |                  |     |       |
|      | C50              | graphite grey   |         |     |       |      | P11            | cinnamon brown                | 01-              |     |       |
|      | S30              | savanna   |         |     |       |      | D11            | dark grey                     | 00-              |     |       |
|      | G10              | metropole blue  |         |     |       |      | T11            | brown/natural                 | 00-              |     |       |
|      | B50              | space grey  | -00     |     |       | (14) | 996 551 021 07 | lining<br>seat well<br>carpet | 02-              | 1   |       |
|      | J30              | nephrite green  |         |     |       |      | A10            | black                         |                  |     |       |
|      | M30              | boxster red   |         |     |       |      | C50            | graphite grey                 |                  |     |       |
|      |                  |   |         |     |       |      | S30            | savanna                       |                  |     |       |
|      |                  |   |         |     |       |      | G10            | metropole blue                |                  |     |       |
|      |                  |   |         |     |       |      | J30            | nephrite green                |                  |     |       |

|       |      |    |    |              |              |        |       |            |         |     |         |
|-------|------|----|----|--------------|--------------|--------|-------|------------|---------|-----|---------|
| Model | Year | MG | SG | Illustration | Restrictions | Update | 11:38 | 25.11.2005 | PORSCHE | PET | PORSCHE |
| 996   | 05   | 8  | 07 | 807-07       |              | 194    |       |            |         |     |         |

| Pos  | Part Number    | Name                      | Remarks | Qty | Model | Pos | Part Number | Name | Remarks | Qty | Model |
|------|----------------|---------------------------|---------|-----|-------|-----|-------------|------|---------|-----|-------|
|      | M30            | boxster red               |         |     |       |     |             |      |         |     |       |
|      | P11            | cinnamon brown            | 01-     |     |       |     |             |      |         |     |       |
|      | D11            | dark grey                 | 00-     |     |       |     |             |      |         |     |       |
|      | T11            | brown/natural             | 00-     |     |       |     |             |      |         |     |       |
| 15   | 996 551 221 01 | cover<br>sensor           |         | 1   |       |     |             |      |         |     |       |
| 16   | 996 551 525 00 | cover<br>seat-belt buckle | /L      | 1   |       |     |             |      |         |     |       |
|      | 01C            | satin black               |         |     |       |     |             |      |         |     |       |
| (16) | 996 551 526 00 | cover<br>seat-belt buckle | /R      | 1   |       |     |             |      |         |     |       |
|      | 01C            | satin black               |         |     |       |     |             |      |         |     |       |
|      |                | - - - E N D - - -         |         |     |       |     |             |      |         |     |       |

|       |      |    |    |              |              |        |       |            |         |     |         |
|-------|------|----|----|--------------|--------------|--------|-------|------------|---------|-----|---------|
| Model | Year | MG | SG | Illustration | Restrictions | Update | 11:38 | 25.11.2005 | PORSCHE | PET | PORSCHE |
| 996   | 05   | 8  | 07 | 807-08       |              | 194    |       |            |         |     |         |



| Pos | Part Number    | Name                      | Remarks | Qty | Model                |
|-----|----------------|---------------------------|---------|-----|----------------------|
| (1) | 996 555 091 00 | rooflining<br>a-pillar    |         |     | COUPE<br>COUPE/TARGA |
|     |                | rooflining<br>leatherette | -99     | 1   | COUPE                |
|     |                | A10 black                 |         |     |                      |
|     |                | C50 graphite grey         |         |     |                      |
|     |                | S30 savanna               |         |     |                      |
|     |                | G10 metropole blue        |         |     |                      |
|     |                | B50 space grey            |         |     |                      |
| 1   | 996 555 091 01 | rooflining<br>leatherette | -99     | 1   | COUPE:M 650          |
|     |                | A10 black                 |         |     |                      |
|     |                | C50 graphite grey         |         |     |                      |
|     |                | S30 savanna               |         |     |                      |
|     |                | G10 metropole blue        |         |     |                      |
|     |                | B50 space grey            |         |     |                      |
| (1) | 996 555 091 02 | rooflining<br>alcantara   | 00      | 1   | COUPE                |
|     |                | A14 black                 |         |     |                      |
|     |                | C54 graphite grey         |         |     |                      |
|     |                | S34 savanna               |         |     |                      |
|     |                | G14 metropole blue        |         |     |                      |
| 1   | 996 555 091 03 | rooflining<br>alcantara   | 00      | 1   | COUPE:M 650          |
|     |                | A14 black                 |         |     |                      |
|     |                | C54 graphite grey         |         |     |                      |
|     |                | S34 savanna               |         |     |                      |
|     |                | G14 metropole blue        |         |     |                      |
| (1) | 996 555 091 04 | rooflining<br>alcantara   | 01      | 1   | COUPE                |
|     |                | A14 black                 |         |     |                      |
|     |                | C54 graphite grey         |         |     |                      |

|       |      |    |    |              |              |        |       |            |         |     |         |
|-------|------|----|----|--------------|--------------|--------|-------|------------|---------|-----|---------|
| Model | Year | MG | SG | Illustration | Restrictions | Update | 11:38 | 25.11.2005 | PORSCHE | PET | PORSCHE |
| 996   | 05   | 8  | 07 | 807-08       |              | 194    |       |            |         |     |         |

| Pos | Part Number    | Name   | Remarks      | Qty | Model       | Pos | Part Number    | Name   | Remarks | Qty | Model     |
|-----|----------------|--|--------------|-----|-------------|-----|----------------|--|---------|-----|-----------|
|     | S34            | savanna  |              |     |             |     | J34            | nephrite green   |         |     |           |
|     | G14            | metropole blue   |              |     |             | 1   | 996 555 091 07 | rooflining<br>alcantara<br>valid up to:<br>F >>995S6 00227 | 05      | 1   | 4S/I650   |
|     | J34            | nephrite green   | 01-          |     |             |     | A14            | black  |         |     |           |
| 1   | 996 555 091 05 | rooflining<br>alcantara                                    | 01           | 1   | COUPE:M 650 |     | C54            | graphite grey  |         |     |           |
|     | A14            | black  |              |     |             |     | S34            | savanna  |         |     |           |
|     | C54            | graphite grey  |              |     |             |     | G14            | metropole blue   |         |     |           |
|     | S34            | savanna  |              |     |             |     | J34            | nephrite green   |         |     |           |
|     | G14            | metropole blue   |              |     |             | (1) | 997 555 091 00 | rooflining<br>alcantara<br>valid from:<br>F 995S6 00228>>  | 05      | 1   | 4S/I652   |
| (1) | 996 555 091 06 | rooflining<br>alcantara                                    | 02-04        | 1   | COUPE       |     | A14            | black  |         |     |           |
|     | A14            | black  |              |     |             |     | C54            | graphite grey  |         |     |           |
|     | C54            | graphite grey  |              |     |             |     | S34            | savanna  |         |     |           |
|     | S34            | savanna  |              |     |             |     | G14            | metropole blue   |         |     |           |
|     | G14            | metropole blue   |              |     |             | 1   | 997 555 091 01 | rooflining<br>alcantara<br>valid from:<br>F 995S6 00228>>  | 05-     | 1   | 4S/I650   |
| 1   | 996 555 091 07 | rooflining<br>alcantara                                    | 01-<br>02-04 | 1   | COUPE:M 650 |     | A14            | black  |         |     |           |
|     | A14            | black  |              |     |             |     | C54            | graphite grey  |         |     |           |
|     | C54            | graphite grey  |              |     |             |     | S34            | savanna  |         |     |           |
|     | S34            | savanna  |              |     |             |     | G14            | metropole blue   |         |     |           |
|     | G14            | metropole blue   |              |     |             | (1) | 996 555 982 02 | rooflining<br>leather                                      | 01-04   | 1   | COUPE:XMA |
| 1   | 996 555 091 06 | rooflining<br>alcantara<br>valid up to:<br>F >>995S6 00227 | 01-<br>05    | 1   | 4S/I652     |     | A11            | black  |         |     |           |
|     | A14            | black  |              |     |             |     | C51            | graphite grey  |         |     |           |
|     | C54            | graphite grey  |              |     |             |     | S31            | savanna  |         |     |           |
|     | S34            | savanna  |              |     |             |     | G11            | metropole blue   |         |     |           |
|     | G14            | metropole blue   |              |     |             |     | J31            | nephrite green   | -03     |     |           |
|     |                |  |              |     |             |     | M31            | boxster red  |         |     |           |

|       |      |    |    |              |              |        |       |            |         |     |         |
|-------|------|----|----|--------------|--------------|--------|-------|------------|---------|-----|---------|
| Model | Year | MG | SG | Illustration | Restrictions | Update | 11:38 | 25.11.2005 | PORSCHE | PET | PORSCHE |
| 996   | 05   | 8  | 07 | 807-08       |              | 194    |       |            |         |     |         |

| Pos | Part Number    | Name   | Remarks | Qty | Model               | Pos | Part Number           | Name                                      | Remarks | Qty | Model                 |
|-----|----------------|--|---------|-----|---------------------|-----|-----------------------|---|---------|-----|-----------------------|
|     |                | P12 cinnamon brown                                       |         |     |                     |     | S31 savanna           |   |         |     |                       |
|     |                | D12 dark grey/natural                                    |         |     |                     |     | G11 metropole blue    |   |         |     |                       |
|     |                | T12 brown/natural  |         |     |                     |     | M31 boxster red       |   |         |     |                       |
| 1   | 996 555 982 03 | rooflining<br>leather                                    | 01-04   | 1   | COUPE:XMA/<br>M 650 |     | P12 cinnamon brown    |   |         |     |                       |
|     |                | A11 black  |         |     |                     |     | D12 dark grey/natural |   |         |     |                       |
|     |                | C51 graphite grey  |         |     |                     | (1) | 997 555 980 00        | rooflining                                | 05      | 1   | COUPE 4S/<br>XMA/I652 |
|     |                | S31 savanna  |         |     |                     |     |                       | leather<br>valid from:<br>F 995S6 00228>> |         |     |                       |
|     |                | G11 metropole blue                                       |         |     |                     |     | A11 black             |   |         |     |                       |
|     |                | J31 nephrite green                                       | -03     |     |                     |     | C51 graphite grey     |   |         |     |                       |
|     |                | M31 boxster red  |         |     |                     |     | S31 savanna           |   |         |     |                       |
|     |                | P12 cinnamon brown                                       |         |     |                     |     | G11 metropole blue    |   |         |     |                       |
|     |                | D12 dark grey/natural                                    |         |     |                     |     | M31 boxster red       |   |         |     |                       |
|     |                | T12 brown/natural  |         |     |                     |     | P12 cinnamon brown    |   |         |     |                       |
| (1) | 996 555 982 02 | rooflining<br>leather<br>valid up to:<br>F >>995S6 00227 | 05      | 1   | 4S/XMA/652          |     | D12 dark grey/natural |   |         |     |                       |
|     |                | A11 black  |         |     |                     |     | T12 brown/natural     |   |         |     |                       |
|     |                | C51 graphite grey  |         |     |                     | (1) | 997 555 980 01        | rooflining                                | 05      | 1   | COUPE 4S/<br>XMA/I650 |
|     |                | S31 savanna  |         |     |                     |     |                       | leather<br>valid from:<br>F 995S6 00228>> |         |     |                       |
|     |                | G11 metropole blue                                       |         |     |                     |     | A11 black             |   |         |     |                       |
|     |                | M31 boxster red  |         |     |                     |     | C51 graphite grey     |   |         |     |                       |
|     |                | P12 cinnamon brown                                       |         |     |                     |     | S31 savanna           |   |         |     |                       |
|     |                | D12 dark grey/natural                                    |         |     |                     |     | G11 metropole blue    |   |         |     |                       |
|     |                | T12 brown/natural  |         |     |                     |     | M31 boxster red       |   |         |     |                       |
| (1) | 996 555 982 03 | rooflining<br>leather<br>valid up to:<br>F >>995S6 00227 | 05      | 1   | 4S/XMA/650          |     | P12 cinnamon brown    |   |         |     |                       |
|     |                | A11 black  |         |     |                     |     | D12 dark grey/natural |   |         |     |                       |
|     |                | C51 graphite grey  |         |     |                     |     | T12 brown/natural     |   |         |     |                       |
|     |                |  |         |     |                     | -   | 999 551 609 40        | plastic washer<br>8,0 X 23 X 3,0          |         | 6   | COUPE                 |

|       |      |    |    |              |              |        |       |            |         |     |         |
|-------|------|----|----|--------------|--------------|--------|-------|------------|---------|-----|---------|
| Model | Year | MG | SG | Illustration | Restrictions | Update | 11:38 | 25.11.2005 | PORSCHE | PET | PORSCHE |
| 996   | 05   | 8  | 07 | 807-08       |              | 194    |       |            |         |     |         |

| Pos   | Part Number    | Name  | Remarks | Qty | Model       | Pos | Part Number    | Name                           | Remarks | Qty | Model       |
|-------|----------------|---|---------|-----|-------------|-----|----------------|--------------------------------|---------|-----|-------------|
| 2     | 996 564 231 02 | pipng   |         | 1   | COUPE:M 650 | (8) | 996 555 557 05 | cover interior light lacquered | -03     | 1   | COUPE:M 652 |
| 3     | 999 507 479 09 | clamp 2,5/0,9                                       |         | 3   |             |     |                |                                |         |     |             |
| (3)   | 999 507 681 09 | retaining clip                                      |         | 10  | COUPE       |     | D05            | granite grey                   | -99     |     |             |
| (3)   | 999 507 681 09 | retaining clip 2,5/3,0                              |         | 12  | TARGA       |     | A03            | black                          | 00-     |     |             |
| -     | 999 551 134 40 | adhesive tape 20 X 65                               |         | 12  |             |     | C53            | graphite grey                  | 00-     |     |             |
| 4     | 996 555 823 00 | support transverse strut                            |         | 2   | COUPE:M 650 |     | S33            | savanna                        | 00-     |     |             |
| 5     | 996 555 691 02 | clip  |         | 8   | COUPE       |     | G13            | metropole blue                 | 00-     |     |             |
| (6) U | 996 555 553 08 | cover rooflining front                              | -04     | 1   | COUPE       |     | B13            | space grey                     | 00      |     |             |
| (6) U | 996 555 553 09 | cover rooflining front                              | -04     | 1   | COUPE:M 650 | (8) | J33            | nephrite green                 | __00-03 |     |             |
| (6) U | 996 555 553 08 | cover rooflining front valid up to: F >>995S6 00227 | 05      | 1   | 4S/I652     |     | M33            | boxster red                    | __00-01 |     |             |
| (6) U | 996 555 553 09 | cover rooflining front valid up to: F >>995S6 00227 | 05      | 1   | 4S/I650     |     | P13            | cinnamon brown                 | 01      |     |             |
| (6) U | 997 555 591 00 | cover rooflining front valid from: F 995S6 00228>>  | 05      | 1   | 4S/I652     | 8   | 996 555 557 10 | cover interior light lacquered | 04-     | 1   | COUPE:M 652 |
| 6 U   | 997 555 591 01 | cover rooflining front valid from: F 995S6 00228>>  | 05      | 1   | 4S/I650     |     | A03            | black                          | 00-     |     |             |
| (7) U | 996 555 155 06 | cover rooflining                                    | /H      | 1   | COUPE       |     | C53            | graphite grey                  | 00-     |     |             |
| 7 U   | 996 555 155 07 | cover rooflining                                    | /H      | 1   | COUPE:M 650 |     | S33            | savanna                        | 00-     |     |             |
|       |                |   |         |     |             |     | G13            | metropole blue                 | 00-     |     |             |
|       |                |   |         |     |             |     | B13            | space grey                     | 00      |     |             |
|       |                |   |         |     |             |     | J33            | nephrite green                 | __00-03 |     |             |
|       |                |   |         |     |             |     | M33            | boxster red                    | __00-01 |     |             |
|       |                |   |         |     |             |     | P13            | cinnamon brown                 | 01      |     |             |

|       |      |    |    |              |              |        |       |            |         |     |         |
|-------|------|----|----|--------------|--------------|--------|-------|------------|---------|-----|---------|
| Model | Year | MG | SG | Illustration | Restrictions | Update | 11:38 | 25.11.2005 | PORSCHE | PET | PORSCHE |
| 996   | 05   | 8  | 07 | 807-08       |              | 194    |       |            |         |     |         |

| Pos | Part Number    | Name   | Remarks | Qty | Model              | Pos | Part Number  | Name   | Remarks | Qty | Model     |
|-----|----------------|--|---------|-----|--------------------|-----|--|--|---------|-----|-----------|
| (8) | 996 555 557 08 | cover<br>interior light<br>lacquered<br>A03 black<br>C53 graphite grey<br>S33 savanna<br>G13 metropole blue<br>J33 nephrite green<br>M33 boxster red<br>P13 cinnamon brown | -03     | 1   | COUPE/<br>M652/265 |     | S31 savanna<br>G11 metropole blue<br>J31 nephrite green<br>M31 boxster red<br>D12 dark grey<br>T12 brown/natural<br>P12 cinnamon brown |  |         |     |           |
| (8) | 996 555 557 11 | cover<br>interior light<br>lacquered<br>A03 black<br>C53 graphite grey<br>S33 savanna<br>G13 metropole blue  | 04-     | 1   | COUBE/<br>M652/265 | (8) | 996 555 993 03   | cover<br>interior light<br>leather<br>A11 black<br>C51 graphite grey<br>S31 savanna<br>G11 metropole blue<br>J31 nephrite green<br>M31 boxster red<br>D12 dark grey<br>T12 brown/natural<br>P12 cinnamon brown | 01-     | 1   | XZD+M 265 |
| (8) | 996 555 557 09 | cover<br>interior light<br>lacquered<br>A03 black<br>C53 graphite grey<br>S33 savanna<br>G13 metropole blue<br>J33 nephrite green<br>M33 boxster red<br>P13 cinnamon brown | 01-     | 1   | COUPE/<br>M650/265 | (8) | 996 555 993 00   | cover<br>interior light<br>leather<br>A11 black<br>C51 graphite grey<br>S31 savanna<br>G11 metropole blue<br>J31 nephrite green<br>M31 boxster red<br>D12 dark grey<br>T12 brown/natural<br>P12 cinnamon brown | 01-     | 1   | XZD+M 650 |
| 8   | 996 555 993 01 | cover<br>interior light<br>leather<br>A11 black<br>C51 graphite grey   | 01-     | 1   | XZD                |     |  |  |         |     |           |

|       |      |    |    |              |              |        |       |            |         |     |         |
|-------|------|----|----|--------------|--------------|--------|-------|------------|---------|-----|---------|
| Model | Year | MG | SG | Illustration | Restrictions | Update | 11:38 | 25.11.2005 | PORSCHE | PET | PORSCHE |
| 996   | 05   | 8  | 07 | 807-08       |              | 194    |       |            |         |     |         |

| Pos  | Part Number    | Name                               | Remarks | Qty | Model               | Pos  | Part Number    | Name                              | Remarks | Qty | Model |
|------|----------------|------------------------------------|---------|-----|---------------------|------|----------------|-----------------------------------|---------|-----|-------|
| (8)  | 996 555 993 02 | cover                              | 01-     | 1   | XZD+M 265/<br>M 650 | (10) | 996 555 181 08 | lining<br>a-pillar<br>leatherette | /L 00-  | 1   | COUPE |
|      |                | interior light<br>leather          |         |     |                     |      |                | A12 black                         |         |     |       |
|      | A11            | black                              |         |     |                     |      |                | C52 graphite grey                 |         |     |       |
|      | C51            | graphite grey                      |         |     |                     |      |                | S32 savanna                       |         |     |       |
|      | S31            | savanna                            |         |     |                     |      |                | G12 metropole blue                |         |     |       |
|      | G11            | metropole blue                     |         |     |                     |      |                | B52 space grey                    | 00      |     |       |
|      | J31            | nephrite green                     |         |     |                     |      |                | J32 nephrite green                | 01-     |     |       |
|      | M31            | boxster red                        |         |     |                     | (10) | 996 555 182 08 | lining<br>a-pillar<br>leatherette | /R 00-  | 1   | COUPE |
|      | D12            | dark grey                          |         |     |                     |      |                | A12 black                         |         |     |       |
|      | T12            | brown/natural                      |         |     |                     |      |                | C52 graphite grey                 |         |     |       |
|      | P12            | cinnamon brown                     |         |     |                     |      |                | S32 savanna                       |         |     |       |
| 9    | 999 073 166 09 | countersunk-head screw<br>M 6 X 25 | -99     | 2   |                     |      |                | G12 metropole blue                |         |     |       |
| (9)  | 999 073 061 02 | tapping screw<br>4,8 X 16          | 00-     | 2   |                     |      |                | B52 space grey                    | 00      |     |       |
| (10) | 996 555 181 04 | lining<br>a-pillar<br>leatherette  | /L -99  | 1   | COUPE               |      |                | J32 nephrite green                | 01-     |     |       |
|      | A18            | black                              |         |     |                     | (10) | 996 555 181 14 | lining<br>a-pillar<br>leatherette | /L 02-  | 1   | TARGA |
|      | C18            | graphite grey                      |         |     |                     |      |                | A12 black                         |         |     |       |
|      | S18            | savanna                            |         |     |                     |      |                | C52 graphite grey                 |         |     |       |
|      | G18            | metropole blue                     |         |     |                     |      |                | S32 savanna                       |         |     |       |
|      | B18            | space grey                         |         |     |                     |      |                | G12 metropole blue                |         |     |       |
| 10   | 996 555 182 04 | lining<br>a-pillar<br>leatherette  | /R -99  | 1   | COUPE               |      |                | J32 nephrite green                | 01-     |     |       |
|      | A18            | black                              |         |     |                     | (10) | 996 555 182 14 | lining<br>a-pillar<br>leatherette | /R 02-  | 1   | TARGA |
|      | C18            | graphite grey                      |         |     |                     |      |                | A12 black                         |         |     |       |
|      | S18            | savanna                            |         |     |                     |      |                | C52 graphite grey                 |         |     |       |
|      | G18            | metropole blue                     |         |     |                     |      |                | S32 savanna                       |         |     |       |
|      | B18            | space grey                         |         |     |                     |      |                | G12 metropole blue                |         |     |       |



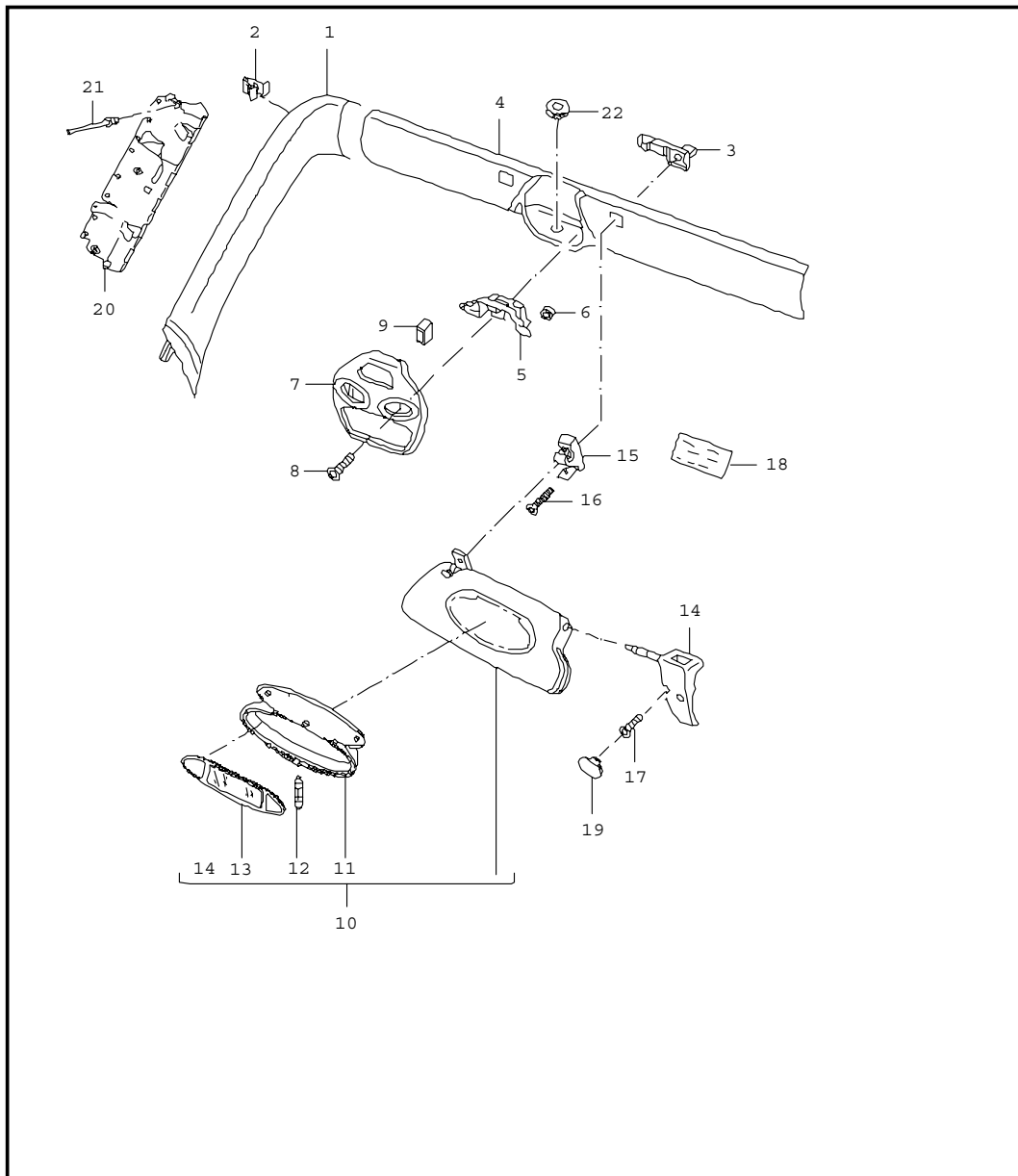
|       |      |    |    |              |              |        |       |            |         |     |         |
|-------|------|----|----|--------------|--------------|--------|-------|------------|---------|-----|---------|
| Model | Year | MG | SG | Illustration | Restrictions | Update | 11:38 | 25.11.2005 | PORSCHE | PET | PORSCHE |
| 996   | 05   | 8  | 07 | 807-08       |              | 194    |       |            |         |     |         |

| Pos  | Part Number    | Name  | Remarks       | Qty | Model | Pos  | Part Number    | Name  | Remarks       | Qty | Model |
|------|----------------|---|---------------|-----|-------|------|----------------|---|---------------|-----|-------|
| (10) | 996 555 181 05 | J32 nephrite green<br>lining<br>a-pillar<br>leather | 01-<br>/L -99 | 1   | COUPE | (10) | 996 555 182 09 | T12 brown/natural<br>P12 cinnamon brown<br>lining<br>a-pillar<br>leather                  | 01-<br>/R 00- | 1   | COUPE |
|      | A11            | black   |               |     |       |      | A11            | black   |               |     |       |
|      | C51            | graphite grey                                       |               |     |       |      | C51            | graphite grey   |               |     |       |
|      | S31            | savanna   |               |     |       |      | S31            | savanna   |               |     |       |
|      | G11            | metropole blue                                      |               |     |       |      | G11            | metropole blue  |               |     |       |
|      | B51            | space grey  |               |     |       |      | B51            | space grey  | 00            |     |       |
|      | J31            | nephrite green                                      |               |     |       |      | J31            | nephrite green  |               |     |       |
|      | M31            | boxster red   |               |     |       |      | M31            | boxster red   |               |     |       |
| 10   | 996 555 182 05 | lining<br>a-pillar<br>leather                       | /R -99        | 1   | COUPE | (10) | 996 555 181 15 | D12 dark grey<br>T12 brown/natural<br>P12 cinnamon brown<br>lining<br>a-pillar<br>leather | 01-<br>/L 02- | 1   | TARGA |
|      | A11            | black   |               |     |       |      | A11            | black   |               |     |       |
|      | C51            | graphite grey                                       |               |     |       |      | C51            | graphite grey   |               |     |       |
|      | S31            | savanna   |               |     |       |      | S31            | savanna   |               |     |       |
|      | G11            | metropole blue                                      |               |     |       |      | G11            | metropole blue  |               |     |       |
|      | B51            | space grey  |               |     |       |      | B51            | space grey  | 00            |     |       |
|      | J31            | nephrite green                                      |               |     |       |      | J31            | nephrite green  |               |     |       |
|      | M31            | boxster red   |               |     |       |      | M31            | boxster red   |               |     |       |
| (10) | 996 555 181 09 | lining<br>a-pillar<br>leather                       | /L 00-        | 1   | COUPE | (10) | 996 555 182 15 | D12 dark grey<br>T12 brown/natural<br>P12 cinnamon brown<br>lining<br>a-pillar<br>leather | 01-<br>/R 02- | 1   | TARGA |
|      | A11            | black   |               |     |       |      | A11            | black   |               |     |       |
|      | C51            | graphite grey                                       |               |     |       |      | C51            | graphite grey   |               |     |       |
|      | S31            | savanna   |               |     |       |      | S31            | savanna   |               |     |       |
|      | G11            | metropole blue                                      |               |     |       |      | G11            | metropole blue  |               |     |       |
|      | B51            | space grey  |               |     |       |      | B51            | space grey  | 00            |     |       |
|      | J31            | nephrite green                                      |               |     |       |      | J31            | nephrite green  |               |     |       |
|      | M31            | boxster red   |               |     |       |      | M31            | boxster red   |               |     |       |
|      | D12            | dark grey   |               |     |       |      | D12            | dark grey   |               |     |       |

|       |      |    |    |              |              |        |       |            |         |     |         |
|-------|------|----|----|--------------|--------------|--------|-------|------------|---------|-----|---------|
| Model | Year | MG | SG | Illustration | Restrictions | Update | 11:38 | 25.11.2005 | PORSCHE | PET | PORSCHE |
| 996   | 05   | 8  | 07 | 807-08       |              | 194    |       |            |         |     |         |

| Pos  | Part Number    | Name                                     | Remarks | Qty | Model | Pos | Part Number | Name | Remarks | Qty | Model |
|------|----------------|--|---------|-----|-------|-----|-------------|------|---------|-----|-------|
|      | S31            | savanna                                  |         |     |       |     |             |      |         |     |       |
|      | G11            | metropole blue                           |         |     |       |     |             |      |         |     |       |
|      | J31            | nephrite green                           |         |     |       |     |             |      |         |     |       |
|      | M31            | boxster red                              |         |     |       |     |             |      |         |     |       |
|      | D12            | dark grey                                |         |     |       |     |             |      |         |     |       |
|      | T12            | brown/natural                            |         |     |       |     |             |      |         |     |       |
|      | P12            | cinnamon brown                           | 01-     |     |       |     |             |      |         |     |       |
| (11) | 996 555 291 00 | deformation element                      | /L 00-  | 1   |       |     |             |      |         |     |       |
| 11   | 996 555 292 00 | deformation element                      | /R 00-  | 1   |       |     |             |      |         |     |       |
| 12   | 999 190 167 30 | blind rivet<br>4,0 X 6,3                 | 00-     | 10  |       |     |             |      |         |     |       |
| --   | 999 551 138 40 | felt strip<br>25 X 25 X 1                |         | 2   |       |     |             |      |         |     |       |
| --   | 999 551 609 40 | washer<br>8,0 X 23 X 3,0                 |         | 8   | TARGA |     |             |      |         |     |       |
| 13   | 996 555 619 00 | grommet<br>wiring harness<br>rain sensor | 01-     | 1   | M 265 |     |             |      |         |     |       |
|      |                | - - - E N D - - -                        |         |     |       |     |             |      |         |     |       |

|       |      |    |    |              |              |        |       |            |         |     |         |
|-------|------|----|----|--------------|--------------|--------|-------|------------|---------|-----|---------|
| Model | Year | MG | SG | Illustration | Restrictions | Update | 11:38 | 25.11.2005 | PORSCHE | PET | PORSCHE |
| 996   | 05   | 8  | 07 | 807-09       |              | 194    |       |            |         |     |         |



| Pos | Part Number    | Name                              | Remarks | Qty | Model        |
|-----|----------------|-----------------------------------|---------|-----|--------------|
|     |                | windscreen frame                  |         |     | CABRIO       |
|     |                | windscreen frame                  |         |     | TARGA        |
|     |                | sun visors                        |         |     | COUPE/CABRIO |
|     |                | sun visors                        |         |     | TARGA        |
| 1   | 996 555 181 12 | lining<br>a-pillar<br>leatherette | /L -99  | 1   | CABRIO       |
|     | A18            | black                             |         |     |              |
|     | C18            | graphite grey                     |         |     |              |
|     | S18            | savanna                           |         |     |              |
|     | G18            | metropole blue                    |         |     |              |
|     | B18            | space grey                        |         |     |              |
| (1) | 996 555 182 12 | lining<br>a-pillar<br>leatherette | /R -99  | 1   | CABRIO       |
|     | A18            | black                             |         |     |              |
|     | C18            | graphite grey                     |         |     |              |
|     | S18            | savanna                           |         |     |              |
|     | G18            | metropole blue                    |         |     |              |
|     | B18            | space grey                        |         |     |              |
| (1) | 996 555 181 10 | lining<br>a-pillar<br>leatherette | /L 00-  | 1   | CABRIO       |
|     | A12            | black                             |         |     |              |
|     | C52            | graphite grey                     |         |     |              |
|     | S32            | savanna                           |         |     |              |
|     | G12            | metropole blue                    |         |     |              |
|     | B52            | space grey                        | 00      |     |              |
|     | J32            | nephrite green                    | 01-     |     |              |
| (1) | 996 555 182 10 | lining<br>a-pillar<br>leatherette | /R 00-  | 1   | CABRIO       |
|     | A12            | black                             |         |     |              |
|     | C52            | graphite grey                     |         |     |              |
|     | S32            | savanna                           |         |     |              |

|       |      |    |    |              |              |        |       |            |         |     |         |
|-------|------|----|----|--------------|--------------|--------|-------|------------|---------|-----|---------|
| Model | Year | MG | SG | Illustration | Restrictions | Update | 11:38 | 25.11.2005 | PORSCHE | PET | PORSCHE |
| 996   | 05   | 8  | 07 | 807-09       |              | 194    |       |            |         |     |         |

| Pos | Part Number    | Name           | Remarks | Qty | Model  | Pos | Part Number    | Name                                     | Remarks | Qty | Model  |
|-----|----------------|----------------|---------|-----|--------|-----|----------------|--|---------|-----|--------|
|     | G12            | metropole blue |         |     |        |     | T12            | brown/natural                            |         |     |        |
|     | B52            | space grey     | 00      |     |        |     | P12            | cinnamon brown                           | 01-     |     |        |
|     | J32            | nephrite green | 01-     |     |        | (1) | 996 555 182 11 | lining leather                           | /R 00-  | 1   | CABRIO |
| 1   | 996 555 181 13 | lining leather | /L -99  | 1   | CABRIO |     | A11            | black                                    |         |     |        |
|     | A11            | black          |         |     |        |     | C51            | graphite grey                            |         |     |        |
|     | C51            | graphite grey  |         |     |        |     | S31            | savanna                                  |         |     |        |
|     | S31            | savanna        |         |     |        |     | G11            | metropole blue                           |         |     |        |
|     | G11            | metropole blue |         |     |        |     | B51            | space grey                               | 00      |     |        |
|     | B51            | space grey     |         |     |        |     | J31            | nephrite green                           |         |     |        |
|     | J31            | nephrite green |         |     |        |     | M31            | boxster red                              |         |     |        |
|     | M31            | boxster red    |         |     |        |     | D12            | dark grey                                |         |     |        |
| (1) | 996 555 182 13 | lining leather | /R -99  | 1   | CABRIO |     | T12            | brown/natural                            |         |     |        |
|     | A11            | black          |         |     |        |     | P12            | cinnamon brown                           | 01-     |     |        |
|     | C51            | graphite grey  |         |     |        | 2   | 999 507 574 02 | clamp 8 X 10/1,2                         |         | 4   |        |
|     | S31            | savanna        |         |     |        | 2   | 999 507 681 09 | clamp 2,5/3,00                           | 00-     | 10  |        |
|     | G11            | metropole blue |         |     |        | 3   | 986 731 541 01 | plate                                    |         | 2   |        |
|     | B51            | space grey     |         |     |        | 4   | 996 555 059 02 | lining windscreen frame part leatherette |         | 1   | CABRIO |
|     | J31            | nephrite green |         |     |        |     | A18            | black                                    | -99     |     |        |
|     | M31            | boxster red    |         |     |        |     | C18            | graphite grey                            | -99     |     |        |
| (1) | 996 555 181 11 | lining leather | /L 00-  | 1   | CABRIO |     | S18            | savanna                                  | -99     |     |        |
|     | A11            | black          |         |     |        |     | G18            | metropole blue                           | -99     |     |        |
|     | C51            | graphite grey  |         |     |        |     | B18            | space grey                               | -99     |     |        |
|     | S31            | savanna        |         |     |        |     | A12            | black                                    | 00-     |     |        |
|     | G11            | metropole blue |         |     |        |     | C52            | graphite grey                            | 00-     |     |        |
|     | B51            | space grey     | 00      |     |        |     | S32            | savanna                                  | 00-     |     |        |
|     | J31            | nephrite green |         |     |        |     | G12            | metropole blue                           | 00-     |     |        |
|     | M31            | boxster red    |         |     |        |     | B52            | space grey                               | 00      |     |        |
|     | D12            | dark grey      |         |     |        |     |                |  |         |     |        |

|       |      |    |    |              |              |        |       |            |         |     |         |
|-------|------|----|----|--------------|--------------|--------|-------|------------|---------|-----|---------|
| Model | Year | MG | SG | Illustration | Restrictions | Update | 11:38 | 25.11.2005 | PORSCHE | PET | PORSCHE |
| 996   | 05   | 8  | 07 | 807-09       |              | 194    |       |            |         |     |         |

| Pos | Part Number    | Name                                 | Remarks | Qty | Model          | Pos | Part Number    | Name                        | Remarks | Qty | Model          |
|-----|----------------|--------------------------------------|---------|-----|----------------|-----|----------------|-----------------------------|---------|-----|----------------|
|     | J32            | nephrite green                       | 01-     |     |                |     | B51            | space grey                  | -00     |     |                |
| (4) | 996 555 059 06 | lining                               | 01-     | 1   | CABRIO<br>M265 |     | J31            | nephrite green              |         |     |                |
|     |                | windscreen frame part<br>leatherette |         |     |                |     | M31            | boxster red                 |         |     |                |
|     | A12            | black                                | 00-     |     |                |     | D12            | dark grey                   | 00-     |     |                |
|     | C52            | graphite grey                        | 00-     |     |                |     | T12            | brown/natural               | 00-     |     |                |
|     | S32            | savanna                              | 00-     |     |                |     | P12            | cinnamon brown              | 01-     |     |                |
|     | G12            | metropole blue                       | 00-     |     |                | (4) | 996 555 059 07 | lining                      | 01-     | 1   | CABRIO<br>M265 |
|     | J32            | nephrite green                       | 01-     |     |                |     |                | windscreen frame<br>leather |         |     |                |
| 4   | 996 555 059 04 | lining                               | 02-     | 1   | TARGA          |     | A11            | black                       |         |     |                |
|     |                | windscreen frame part<br>leatherette |         |     |                |     | C51            | graphite grey               |         |     |                |
|     | A12            | black                                | 00-     |     |                |     | S31            | savanna                     |         |     |                |
|     | C52            | graphite grey                        | 00-     |     |                |     | G11            | metropole blue              |         |     |                |
|     | S32            | savanna                              | 00-     |     |                |     | J31            | nephrite green              |         |     |                |
|     | G12            | metropole blue                       | 00-     |     |                |     | M31            | boxster red                 |         |     |                |
|     | J32            | nephrite green                       | 01-     |     |                |     | D12            | dark grey                   | 00-     |     |                |
| (4) | 996 555 059 08 | lining                               | 02-     | 1   | TARGA<br>M265  |     | T12            | brown/natural               | 00-     |     |                |
|     |                | windscreen frame part<br>leatherette |         |     |                |     | P12            | cinnamon brown              | 01-     |     |                |
|     | A12            | black                                | 00-     |     |                | 4   | 996 555 059 05 | lining                      | 02-     | 1   | TARGA          |
|     | C52            | graphite grey                        | 00-     |     |                |     |                | windscreen frame<br>leather |         |     |                |
|     | S32            | savanna                              | 00-     |     |                |     | A11            | black                       |         |     |                |
|     | G12            | metropole blue                       | 00-     |     |                |     | C51            | graphite grey               |         |     |                |
|     | J32            | nephrite green                       | 01-     |     |                |     | S31            | savanna                     |         |     |                |
| 4   | 996 555 059 03 | lining                               |         | 1   | CABRIO         |     | G11            | metropole blue              |         |     |                |
|     |                | windscreen frame<br>leather          |         |     |                |     | J31            | nephrite green              |         |     |                |
|     | A11            | black                                |         |     |                |     | M31            | boxster red                 |         |     |                |
|     | C51            | graphite grey                        |         |     |                |     | D12            | dark grey                   | 00-     |     |                |
|     | S31            | savanna                              |         |     |                |     | T12            | brown/natural               | 00-     |     |                |
|     | G11            | metropole blue                       |         |     |                |     | P12            | cinnamon brown              | 01-     |     |                |

|       |      |    |    |              |              |        |       |            |         |     |         |
|-------|------|----|----|--------------|--------------|--------|-------|------------|---------|-----|---------|
| Model | Year | MG | SG | Illustration | Restrictions | Update | 11:38 | 25.11.2005 | PORSCHE | PET | PORSCHE |
| 996   | 05   | 8  | 07 | 807-09       |              | 194    |       |            |         |     |         |

| Pos | Part Number    | Name  | Remarks | Qty | Model         | Pos  | Part Number    | Name   | Remarks | Qty | Model |
|-----|----------------|---|---------|-----|---------------|------|----------------|--|---------|-----|-------|
| (4) | 996 555 059 09 | lining<br>windscreen frame<br>leather<br>A11 black<br>C51 graphite grey<br>S31 savanna<br>G11 metropole blue<br>J31 nephrite green<br>M31 boxer red<br>D12 dark grey<br>T12 brown/natural<br>P12 cinnamon brown | 02-     | 1   | TARGA<br>M265 | (10) | 996 731 031 06 | sun visor<br>leatherette<br>ELC black<br>ELD graphite grey<br>ELE savanna<br>ELG metropole blue<br>ELF space grey  | /L -99  | 1   | COUPE |
| 5   | 996 613 795 01 | microswitch   |         | 1   | CABRIO        |      |                |  |         |     |       |
| 6   | 999 507 534 02 | clamping washer<br>2,5  |         | 2   | CABRIO        | (10) | 996 731 031 15 | sun visor<br>leatherette<br>valid up to:<br>F >>995S6 00227<br>A12 black<br>C52 graphite grey<br>S32 savanna<br>G12 metropole blue<br>J32 nephrite green | /R 00-  | 1   | COUPE |
| 7   | 996 561 635 00 | cover<br>interior light<br>lacquered<br>A09 rally black   |         | 1   | CABRIO        |      |                |  |         |     |       |
| (7) | 996 555 557 07 | cover<br>interior light<br>A03 black<br>C53 graphite grey<br>S33 savanna<br>G13 metropole blue<br>J33 nephrite green<br>M33 boxer red<br>P13 cinnamon brown   | 02-     | 1   | TARGA         | (10) | 996 731 032 06 | sun visor<br>leatherette<br>ELC black<br>ELD graphite grey<br>ELE savanna<br>ELG metropole blue<br>ELF space grey  | /R -99  | 1   | COUPE |
| 8   | 999 073 166 09 | countersunk-head screw<br>M 6 X 25  |         | 2   | CABRIO        |      |                |  |         |     |       |
| (8) | 999 073 061 02 | tapping screw<br>4,8 X 16   |         | 2   | TARGA         |      |                |  |         |     |       |
| 9   | 996 561 609 00 | cap   |         | 1   | CABRIO        |      |                |  |         |     |       |
|     |                |   |         |     |               |      |                |  |         |     |       |

|       |      |    |    |              |              |        |       |            |         |     |         |
|-------|------|----|----|--------------|--------------|--------|-------|------------|---------|-----|---------|
| Model | Year | MG | SG | Illustration | Restrictions | Update | 11:38 | 25.11.2005 | PORSCHE | PET | PORSCHE |
| 996   | 05   | 8  | 07 | 807-09       |              | 194    |       |            |         |     |         |

| Pos  | Part Number    | Name   | Remarks | Qty | Model        | Pos  | Part Number    | Name   | Remarks | Qty | Model            |
|------|----------------|--|---------|-----|--------------|------|----------------|--|---------|-----|------------------|
| (10) | 997 731 031 00 | sun visor<br>leatherette<br>valid from:<br>F 995S6 00228>> | /L      | 1   | COUPE4S/I274 |      | J31            | nephrite green   |         |     |                  |
|      | A12            | black  |         |     |              |      | G11            | metropole blue   |         |     |                  |
|      | C52            | graphite grey  |         |     |              |      | M31            | boxster red  |         |     |                  |
|      | S32            | savanna  |         |     |              |      | D12            | dark grey  |         |     |                  |
|      | G12            | metropole blue   |         |     |              |      | T12            | brown/natural  |         |     |                  |
|      |                |  |         |     |              |      | P12            | cinnamon brown   |         |     |                  |
| (10) | 997 731 032 00 | sun visor<br>leatherette<br>valid from:<br>F 995S6 00228>> | /R      | 1   | COUPE4S/I274 | (10) | 996 731 980 19 | sun visor<br>leather<br>valid from:<br>F 995S6 00228>> | /L      | 1   | COUPE 4S/<br>XMP |
|      | A12            | black  |         |     |              |      | VRK            | black  |         |     |                  |
|      | C52            | graphite grey  |         |     |              |      | C51            | graphite grey  |         |     |                  |
|      | S32            | savanna  |         |     |              |      | S31            | savanna  |         |     |                  |
|      | G12            | metropole blue   |         |     |              |      | G11            | metropole blue   |         |     |                  |
| (10) | 996 731 980 09 | sun visor<br>leather<br>valid up to:                       | /L 01-  | 1   | COUPE/XMP    |      | M31            | boxster red  |         |     |                  |
|      | VRK            | black  |         |     |              |      | P12            | cinnamon brown   |         |     |                  |
|      | C51            | graphite grey  |         |     |              |      | D12            | dark grey/natural                                      |         |     |                  |
|      | S31            | savanna  |         |     |              |      | T12            | brown/natural  |         |     |                  |
|      | J31            | nephrite green   |         |     |              | (10) | 996 731 981 19 | sun visor<br>leather<br>valid from:<br>F 995S6 00228>> | /R      | 1   | COUPE 4S/<br>XMP |
|      | G11            | metropole blue   |         |     |              |      | VRK            | black  |         |     |                  |
|      | M31            | boxster red  |         |     |              |      | C51            | graphite grey  |         |     |                  |
|      | D12            | dark grey  |         |     |              |      | S31            | savanna  |         |     |                  |
|      | T12            | brown/natural  |         |     |              |      | G11            | metropole blue   |         |     |                  |
|      | P12            | cinnamon brown   |         |     |              |      | M31            | boxster red  |         |     |                  |
| 10   | 996 731 981 09 | sun visor<br>leather<br>valid up to:                       | /R 01-  | 1   | COUPE/XMP    |      | P12            | cinnamon brown   |         |     |                  |
|      | VRK            | black  |         |     |              |      | D12            | dark grey/natural                                      |         |     |                  |
|      | C51            | graphite grey  |         |     |              |      | T12            | brown/natural  |         |     |                  |
|      | S31            | savanna  |         |     |              | (10) | 996 731 031 09 | sun visor<br>leatherette                               | /L -99  | 1   | CABRIO           |

|       |      |    |    |              |              |        |       |            |         |     |         |
|-------|------|----|----|--------------|--------------|--------|-------|------------|---------|-----|---------|
| Model | Year | MG | SG | Illustration | Restrictions | Update | 11:38 | 25.11.2005 | PORSCHE | PET | PORSCHE |
| 996   | 05   | 8  | 07 | 807-09       |              | 194    |       |            |         |     |         |

| Pos  | Part Number    | Name                  | Remarks | Qty | Model      | Pos  | Part Number        | Name                  | Remarks | Qty | Model      |
|------|----------------|-----------------------|---------|-----|------------|------|--------------------|-----------------------|---------|-----|------------|
|      |                | ELH black             |         |     |            |      | J31 nephrite green |                       |         |     |            |
|      |                | ELJ graphite grey     |         |     |            |      | M31 boxster red    |                       |         |     |            |
|      |                | ELK savanna           |         |     |            |      | G11 metropole blue |                       |         |     |            |
|      |                | ELL metropole blue    |         |     |            |      | D12 dark grey      |                       |         |     |            |
|      |                | ELM space grey        |         |     |            |      | T12 brown/natural  |                       |         |     |            |
| 10   | 996 731 032 09 | sun visor leatherette | /R -99  | 1   | CABRIO     |      | P12 cinnamon brown |                       |         |     |            |
|      |                | ELH black             |         |     |            | 10   | 996 731 981 12     | sun visor leather     | /R 01-  | 1   | CABRIO/XMP |
|      |                | ELJ graphite grey     |         |     |            |      | VRK black          |                       |         |     |            |
|      |                | ELK savanna           |         |     |            |      | C51 graphite grey  |                       |         |     |            |
|      |                | ELL metropole blue    |         |     |            |      | S31 savanna        |                       |         |     |            |
|      |                | ELM space grey        |         |     |            |      | J31 nephrite green |                       |         |     |            |
| (10) | 996 731 031 18 | sun visor leatherette | /L 00-  | 1   | CABRIO     |      | M31 boxster red    |                       |         |     |            |
|      |                | A12 black             |         |     |            |      | G11 metropole blue |                       |         |     |            |
|      |                | C52 graphite grey     |         |     |            |      | D12 dark grey      |                       |         |     |            |
|      |                | S32 savanna           |         |     |            |      | T12 brown/natural  |                       |         |     |            |
|      |                | G12 metropole blue    |         |     |            |      | P12 cinnamon brown |                       |         |     |            |
|      |                | J32 nephrite green    | 01-     |     |            | (10) | 996 731 031 12     | sun visor leatherette | /L 02-  | 1   | TARGA/M274 |
| (10) | 996 731 032 18 | sun visor leatherette | /R 00-  | 1   | CABRIO     |      | A12 black          |                       |         |     |            |
|      |                | A12 black             |         |     |            |      | C52 graphite grey  |                       |         |     |            |
|      |                | C52 graphite grey     |         |     |            |      | S32 savanna        |                       |         |     |            |
|      |                | S32 savanna           |         |     |            |      | G12 metropole blue |                       |         |     |            |
|      |                | G12 metropole blue    |         |     |            |      | J32 nephrite green |                       |         |     |            |
|      |                | J32 nephrite green    | 01-     |     |            | (10) | 996 731 032 12     | sun visor leatherette | /R 02-  | 1   | TARGA/M274 |
| (10) | 996 731 980 12 | sun visor leather     | /L 01-  | 1   | CABRIO/XMP |      | A12 black          |                       |         |     |            |
|      |                | VRK black             |         |     |            |      | C52 graphite grey  |                       |         |     |            |
|      |                | C51 graphite grey     |         |     |            |      | S32 savanna        |                       |         |     |            |
|      |                | S31 savanna           |         |     |            |      | G12 metropole blue |                       |         |     |            |
|      |                |                       |         |     |            |      | J32 nephrite green |                       |         |     |            |

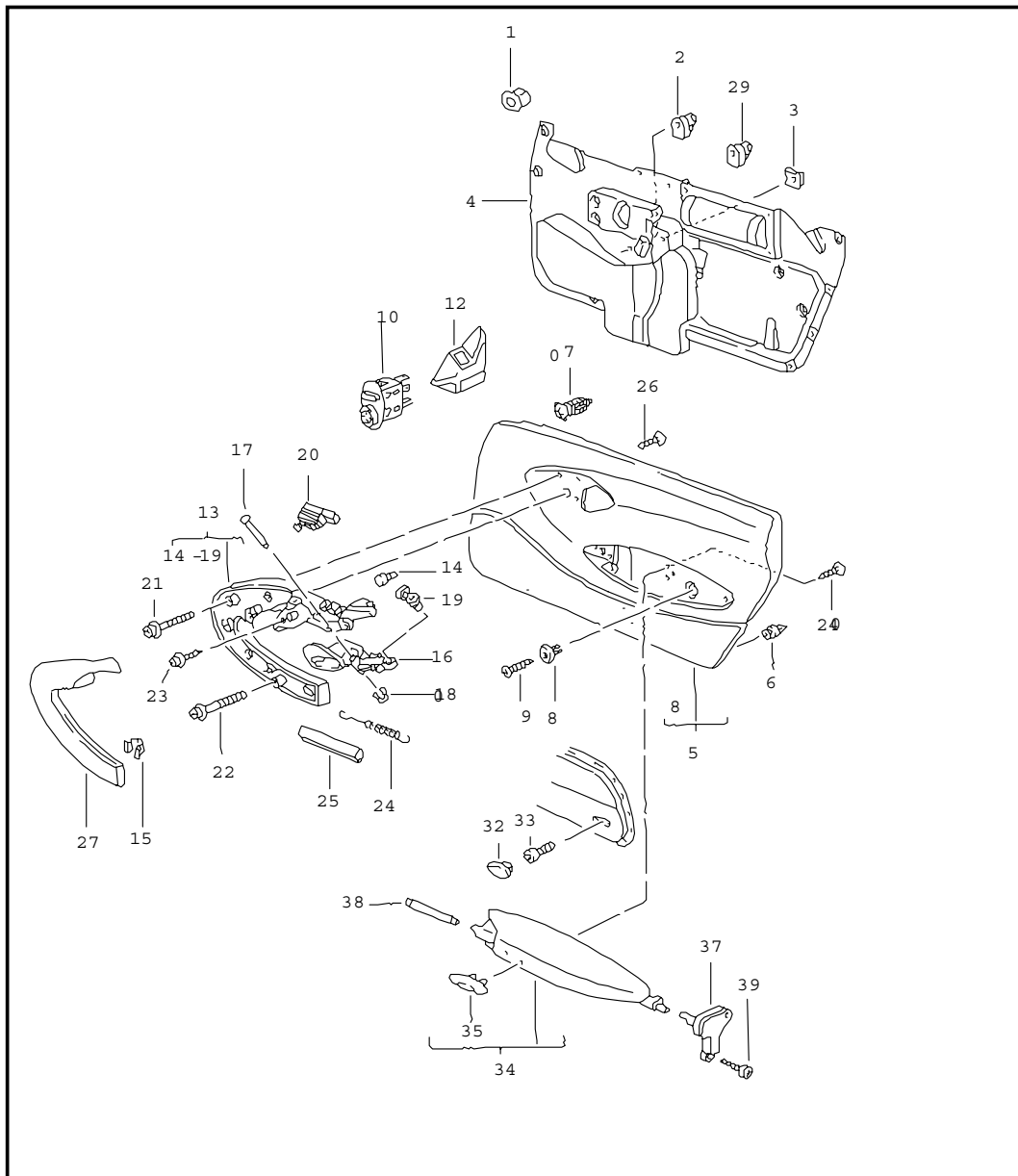


|       |      |    |    |              |              |        |       |            |         |     |         |
|-------|------|----|----|--------------|--------------|--------|-------|------------|---------|-----|---------|
| Model | Year | MG | SG | Illustration | Restrictions | Update | 11:38 | 25.11.2005 | PORSCHE | PET | PORSCHE |
| 996   | 05   | 8  | 07 | 807-09       |              | 194    |       |            |         |     |         |

| Pos  | Part Number    | Name                                   | Remarks | Qty | Model     | Pos  | Part Number    | Name   | Remarks | Qty | Model  |
|------|----------------|--|---------|-----|-----------|------|----------------|--|---------|-----|--------|
| (10) | 996 731 980 06 | sun visor<br>leather                   | /L 03-  | 1   | TARGA/XMP |      | A09            | rally black  |         |     |        |
|      | VRK            | black                                  |         |     |           | 14   | 996 561 608 01 | mounting   | /R      | 1   | CABRIO |
|      | C51            | graphite grey                          |         |     |           |      | A09            | rally black  |         |     |        |
|      | S31            | savanna                                |         |     |           | 15   | 996 731 341 00 | support<br>sun visor   | /L      | 1   |        |
|      | G11            | metropole blue                         |         |     |           |      | 01C            | satin black  |         |     |        |
|      | M31            | boxster red                            |         |     |           | (15) | 996 731 342 00 | support<br>sun visor   |         | 1   |        |
|      | P12            | cinnamon brown                         |         |     |           |      | 01C            | satin black  |         |     |        |
|      | D12            | dark grey/natural                      |         |     |           | 16   | 999 073 139 02 | oval-head screw<br>M 5 X 25<br>valid up to:<br>F >>995S6 00227 |         | 2   | COUPE  |
|      | T12            | brown/natural                          |         |     |           |      |                |  |         |     |        |
| (10) | 996 731 981 06 | sun visor<br>leather                   | /R 03-  | 1   | TARGA/XMP |      |                |  |         |     |        |
|      | VRK            | black                                  |         |     |           | 16   | 999 073 326 09 | oval-head screw<br>M 5 X 10<br>valid from:<br>F 995S6 00228>>  |         | 2   |        |
|      | C51            | graphite grey                          |         |     |           |      |                |  |         |     |        |
|      | S31            | savanna                                |         |     |           | (16) | 999 500 093 02 | nut<br>M 5   |         | 2   | COUPE  |
|      | G11            | metropole blue                         |         |     |           | 16   | 900 146 117 09 | screw<br>M 5 X 16  |         | 4   | TARGA  |
|      | M31            | boxster red                            |         |     |           | 17   | 999 073 166 09 | countersunk-head screw<br>M 6 X 25                             |         | 4   | CABRIO |
|      | P12            | cinnamon brown                         |         |     |           | 18   | 996 701 401 06 | sticker  | -02     | 1   | CABRIO |
|      | D12            | dark grey/natural                      |         |     |           | 18   | 996 701 401 12 | sticker<br>folding top control<br>german                       | 03-     | 1   | CABRIO |
|      | T12            | brown/natural                          |         |     |           | 18   | 996 701 401 07 | sticker  | -02     | 1   | CABRIO |
| 11   | 996 731 903 00 | mirror housing<br>with<br>illumination |         | 1   |           | 18   | 996 701 401 13 | indication sticker<br>folding top control<br>english           | 03-     | 1   | CABRIO |
|      | 01C            | satin black                            |         |     |           | 19   | 996 561 613 00 | cover<br>mounting  |         | 2   | CABRIO |
| 12   | 999 631 137 90 | bulb<br>3 W                            |         | 4   | M274      |      | 01C            | satin black  |         |     |        |
| 12   | 999 631 147 90 | bulb<br>3 W                            |         | 4   | M274      | 20   | 996 555 291 00 | deformation element<br>a-pillar                                | /L 00-  | 1   |        |
| 13   | 996 731 531 01 | mirror glass<br>with<br>frame          |         | 2   | M274      | 20   | 996 555 292 00 | deformation element<br>a-pillar                                | /R 00-  | 1   |        |
|      | 01C            | satin black                            |         |     |           |      |                |  |         |     |        |
| (14) | 996 561 607 01 | mounting                               | /L      | 1   | CABRIO    |      |                |  |         |     |        |



|       |      |    |    |              |              |        |       |            |         |     |         |
|-------|------|----|----|--------------|--------------|--------|-------|------------|---------|-----|---------|
| Model | Year | MG | SG | Illustration | Restrictions | Update | 11:38 | 25.11.2005 | PORSCHE | PET | PORSCHE |
| 996   | 05   | 8  | 07 | 807-10       |              | 194    |       |            |         |     |         |



| Pos | Part Number    | Name                                 | Remarks        | Qty | Model |
|-----|----------------|--------------------------------------|----------------|-----|-------|
|     |                | door trim panel accessories          |                |     |       |
| 1   | 191 853 615 A  | grommet                              |                | 3   |       |
| 2   | 999 920 013 40 | special nut<br>5,0 X 1,0 X 8         |                | 4   |       |
| 3   | 999 591 882 02 | speed nut<br>M 6                     |                | 2   |       |
| (4) | 996 555 831 04 | seal                                 | /L             | 1   |       |
| 4   | 996 555 832 04 | seal                                 | /R             | 1   |       |
| (4) | 996 555 831 05 | seal                                 | /L             | 1   | M 490 |
| (4) | 996 555 832 05 | seal<br>repair material<br>use also: | /R             | 1   | M 490 |
| -   | 000 043 101 00 | sealing cord                         |                | 1   |       |
| (5) | 996 555 121 00 | door trim panel<br>leatherette       | /L 98          | 1   |       |
|     |                | EHF                                  | black          |     |       |
|     |                | EHG                                  | graphite grey  |     |       |
|     |                | EHH                                  | savanna        |     |       |
|     |                | EHJ                                  | metropole blue |     |       |
|     |                | EHK                                  | space grey     |     |       |
| 5   | 996 555 122 00 | door trim panel<br>leatherette       | /R 98          | 1   |       |
|     |                | EHF                                  | black          |     |       |
|     |                | EHG                                  | graphite grey  |     |       |
|     |                | EHH                                  | savanna        |     |       |
|     |                | EHJ                                  | metropole blue |     |       |
|     |                | EHK                                  | space grey     |     |       |
| (5) | 996 555 121 02 | door trim panel<br>leatherette       | /L 98          | 1   | M 490 |
|     |                | EHF                                  | black          |     |       |
|     |                | EHG                                  | graphite grey  |     |       |
|     |                | EHH                                  | savanna        |     |       |

|       |      |    |    |              |              |        |       |            |         |     |         |
|-------|------|----|----|--------------|--------------|--------|-------|------------|---------|-----|---------|
| Model | Year | MG | SG | Illustration | Restrictions | Update | 11:38 | 25.11.2005 | PORSCHE | PET | PORSCHE |
| 996   | 05   | 8  | 07 | 807-10       |              | 194    |       |            |         |     |         |

| Pos | Part Number    | Name                        | Remarks | Qty | Model     | Pos | Part Number    | Name                        | Remarks | Qty | Model     |
|-----|----------------|-----------------------------|---------|-----|-----------|-----|----------------|-----------------------------|---------|-----|-----------|
|     |                | EJH metropole blue          |         |     |           |     |                | EJH black                   |         |     |           |
|     |                | EJK space grey              |         |     |           |     |                | EJG graphite grey           |         |     |           |
| (5) | 996 555 122 02 | door trim panel leatherette | /R 98   | 1   | M 490     |     |                | EJH savanna                 |         |     |           |
|     |                | EJH black                   |         |     |           |     |                | EJH metropole blue          |         |     |           |
|     |                | EJG graphite grey           |         |     |           | (5) | 996 555 121 04 | door trim panel leatherette | /L 00-  | 1   |           |
|     |                | EJH savanna                 |         |     |           |     |                | ESY black                   |         |     |           |
|     |                | EJH metropole blue          |         |     |           |     |                | ESZ graphite grey           |         |     |           |
| (5) | 996 555 121 04 | door trim panel leatherette | /L -99  | 1   | M 563     |     |                | ETA savanna                 |         |     |           |
|     |                | EJH space grey              |         |     |           |     |                | ETB metropole blue          |         |     |           |
|     |                | EJH black                   |         |     |           |     |                | EUY space grey              | 00      |     |           |
|     |                | EJG graphite grey           |         |     |           |     |                | FEQ nephrite green          | 01-     |     |           |
|     |                | EJH savanna                 |         |     |           | (5) | 996 555 122 04 | door trim panel leatherette | /R 00-  | 1   |           |
|     |                | EJH metropole blue          |         |     |           |     |                | ESY black                   |         |     |           |
|     |                | EJK space grey              |         |     |           |     |                | ESZ graphite grey           |         |     |           |
| (5) | 996 555 122 04 | door trim panel leatherette | /R -99  | 1   | M 563     |     |                | ETA savanna                 |         |     |           |
|     |                | EJH black                   |         |     |           |     |                | ETB metropole blue          |         |     |           |
|     |                | EJG graphite grey           |         |     |           |     |                | EUY space grey              | 00      |     |           |
|     |                | EJH savanna                 |         |     |           |     |                | FEQ nephrite green          | 01-     |     |           |
|     |                | EJH metropole blue          |         |     |           | (5) | 996 555 121 06 | door trim panel leatherette | /L 00-  | 1   | M 490/680 |
|     |                | EJK space grey              |         |     |           |     |                | ESY black                   |         |     |           |
| (5) | 996 555 121 06 | door trim panel leatherette | /L -99  | 1   | M 563/490 |     |                | ESZ graphite grey           |         |     |           |
|     |                | EJH black                   |         |     |           |     |                | ETA savanna                 |         |     |           |
|     |                | EJG graphite grey           |         |     |           |     |                | ETB metropole blue          |         |     |           |
|     |                | EJH savanna                 |         |     |           |     |                | EUY space grey              | 00      |     |           |
|     |                | EJH metropole blue          |         |     |           |     |                | FEQ nephrite green          | 01-     |     |           |
|     |                | EJK space grey              |         |     |           | (5) | 996 555 122 06 | door trim panel leatherette | /R 00-  | 1   | M 490/680 |
| (5) | 996 555 122 06 | door trim panel leatherette | /R -99  | 1   | M 563/490 |     |                | ESY black                   |         |     |           |
|     |                | EJH black                   |         |     |           |     |                | ESZ graphite grey           |         |     |           |
|     |                | EJG graphite grey           |         |     |           |     |                | ETA savanna                 |         |     |           |
|     |                | EJH savanna                 |         |     |           |     |                | ETB metropole blue          |         |     |           |
|     |                | EJH metropole blue          |         |     |           |     |                | EUY space grey              | 00      |     |           |
|     |                | EJK space grey              |         |     |           |     |                | FEQ nephrite green          | 01-     |     |           |

|       |      |    |    |              |              |        |       |            |         |     |         |
|-------|------|----|----|--------------|--------------|--------|-------|------------|---------|-----|---------|
| Model | Year | MG | SG | Illustration | Restrictions | Update | 11:38 | 25.11.2005 | PORSCHE | PET | PORSCHE |
| 996   | 05   | 8  | 07 | 807-10       |              | 194    |       |            |         |     |         |

| Pos | Part Number    | Name                    | Remarks | Qty | Model | Pos | Part Number    | Name                    | Remarks | Qty | Model     |
|-----|----------------|-------------------------|---------|-----|-------|-----|----------------|-------------------------|---------|-----|-----------|
|     |                | ESY black               |         |     |       |     |                | EHO metropole blue      |         |     |           |
|     |                | ESZ graphite grey       |         |     |       |     |                | EHP space grey          |         |     |           |
|     |                | ETA savanna             |         |     |       | (5) | 996 555 122 03 | door trim panel leather | /R 98   | 1   | M 490     |
|     |                | ETB metropole blue      |         |     |       |     |                | EHL black               |         |     |           |
|     |                | EUY space grey          | 00      |     |       |     |                | EHL black               |         |     |           |
|     |                | FEQ nephrite green      | 01-     |     |       |     |                | EHM graphite grey       |         |     |           |
| (5) | 996 555 121 01 | door trim panel leather | /L 98   | 1   |       |     |                | EHN savanna             |         |     |           |
|     |                | EHL black               |         |     |       |     |                | EHQ nephrite green      |         |     |           |
|     |                | EHM graphite grey       |         |     |       |     |                | EHR boxster red         |         |     |           |
|     |                | EHN savanna             |         |     |       |     |                | EHO metropole blue      |         |     |           |
|     |                | EHQ nephrite green      |         |     |       | (5) | 996 555 121 05 | door trim panel leather | /L -99  | 1   | M 563     |
|     |                | EHR boxster red         |         |     |       |     |                | EHP space grey          |         |     |           |
|     |                | EHO metropole blue      |         |     |       |     |                | EHL black               |         |     |           |
|     |                | EHP space grey          |         |     |       |     |                | EHM graphite grey       |         |     |           |
| 5   | 996 555 122 01 | door trim panel leather | /R 98   | 1   |       |     |                | EHN savanna             |         |     |           |
|     |                | EHL black               |         |     |       |     |                | EHQ nephrite green      |         |     |           |
|     |                | EHM graphite grey       |         |     |       |     |                | EHR boxster red         |         |     |           |
|     |                | EHN savanna             |         |     |       |     |                | EHO metropole blue      |         |     |           |
|     |                | EHQ nephrite green      |         |     |       | (5) | 996 555 122 05 | door trim panel leather | /R -99  | 1   | M 563     |
|     |                | EHR boxster red         |         |     |       |     |                | EHP space grey          |         |     |           |
|     |                | EHO metropole blue      |         |     |       |     |                | EHL black               |         |     |           |
|     |                | EHP space grey          |         |     |       |     |                | EHM graphite grey       |         |     |           |
| (5) | 996 555 121 03 | door trim panel leather | /L 98   | 1   | M 490 |     |                | EHN savanna             |         |     |           |
|     |                | EHL black               |         |     |       |     |                | EHQ nephrite green      |         |     |           |
|     |                | EHM graphite grey       |         |     |       |     |                | EHR boxster red         |         |     |           |
|     |                | EHN savanna             |         |     |       |     |                | EHO metropole blue      |         |     |           |
|     |                | EHQ nephrite green      |         |     |       | (5) | 996 555 121 07 | door trim panel leather | /L -99  | 1   | M 563/490 |
|     |                | EHR boxster red         |         |     |       |     |                | EHP space grey          |         |     |           |

|       |      |    |    |              |              |        |       |            |         |     |         |
|-------|------|----|----|--------------|--------------|--------|-------|------------|---------|-----|---------|
| Model | Year | MG | SG | Illustration | Restrictions | Update | 11:38 | 25.11.2005 | PORSCHE | PET | PORSCHE |
| 996   | 05   | 8  | 07 | 807-10       |              | 194    |       |            |         |     |         |

| Pos | Part Number    | Name                    | Remarks | Qty | Model     | Pos | Part Number    | Name                    | Remarks | Qty | Model     |
|-----|----------------|-------------------------|---------|-----|-----------|-----|----------------|-------------------------|---------|-----|-----------|
|     |                | EHL black               |         |     |           |     |                | ETD graphite grey       |         |     |           |
|     |                | EHM graphite grey       |         |     |           |     |                | ETE savanna             |         |     |           |
|     |                | EHN savanna             |         |     |           |     |                | ETF metropole blue      |         |     |           |
|     |                | EHQ nephrite green      |         |     |           |     |                | EUX space grey          | 00      |     |           |
|     |                | EHR boxster red         |         |     |           |     |                | ETG nephrite green      |         |     |           |
|     |                | EHO metropole blue      |         |     |           |     |                | ETH boxster red         |         |     |           |
|     |                | EHP space grey          |         |     |           |     |                | VRV dark grey           |         |     |           |
| (5) | 996 555 122 07 | door trim panel leather | /R -99  | 1   | M 563/490 |     |                | VRW brown/natural       |         |     |           |
|     |                | EHL black               |         |     |           |     |                | FEL cinnamon brown      | 01-     |     |           |
|     |                | EHM graphite grey       |         |     |           | (5) | 996 555 121 07 | door trim panel leather | /L -02  | 1   | M 490/680 |
|     |                | EHN savanna             |         |     |           |     |                | ETC black               |         |     |           |
|     |                | EHQ nephrite green      |         |     |           |     |                | ETD graphite grey       |         |     |           |
|     |                | EHR boxster red         |         |     |           |     |                | ETE savanna             |         |     |           |
|     |                | EHO metropole blue      |         |     |           |     |                | ETF metropole blue      |         |     |           |
|     |                | EHP space grey          |         |     |           |     |                | EUX space grey          | 00      |     |           |
| (5) | 996 555 121 05 | door trim panel leather | /L -02  | 1   |           |     |                | ETG nephrite green      |         |     |           |
|     |                | ETC black               |         |     |           |     |                | ETH boxster red         |         |     |           |
|     |                | ETD graphite grey       |         |     |           |     |                | VRV dark grey           |         |     |           |
|     |                | ETE savanna             |         |     |           |     |                | VRW brown/natural       |         |     |           |
|     |                | ETF metropole blue      |         |     |           |     |                | FEL cinnamon brown      | 01-     |     |           |
|     |                | EUX space grey          | 00      |     |           | (5) | 996 555 122 07 | door trim panel leather | /R -02  | 1   | M 490/680 |
|     |                | ETG nephrite green      |         |     |           |     |                | ETC black               |         |     |           |
|     |                | ETH boxster red         |         |     |           |     |                | ETD graphite grey       |         |     |           |
|     |                | VRV dark grey           |         |     |           |     |                | ETE savanna             |         |     |           |
|     |                | VRW brown/natural       |         |     |           |     |                | ETF metropole blue      |         |     |           |
|     |                | FEL cinnamon brown      | 01-     |     |           |     |                | EUX space grey          | 00      |     |           |
| (5) | 996 555 122 05 | door trim panel leather | /R -02  | 1   |           |     |                | ETG nephrite green      |         |     |           |
|     |                | ETC black               |         |     |           |     |                | ETH boxster red         |         |     |           |

|       |      |    |    |              |              |        |       |            |         |     |         |
|-------|------|----|----|--------------|--------------|--------|-------|------------|---------|-----|---------|
| Model | Year | MG | SG | Illustration | Restrictions | Update | 11:38 | 25.11.2005 | PORSCHE | PET | PORSCHE |
| 996   | 05   | 8  | 07 | 807-10       |              | 194    |       |            |         |     |         |

| Pos | Part Number    | Name                    | Remarks | Qty | Model     | Pos | Part Number    | Name                            | Remarks | Qty | Model        |
|-----|----------------|-------------------------|---------|-----|-----------|-----|----------------|---------------------------------|---------|-----|--------------|
|     |                | VRV dark grey           |         |     |           |     |                | ETG nephrite green              |         |     |              |
|     |                | VRW brown/natural       |         |     |           |     |                | ETH boxster red                 |         |     |              |
|     |                | FEL cinnamon brown      | 01-     |     |           |     |                | FEL cinnamon brown              |         |     |              |
| (5) | 996 555 121 08 | door trim panel leather | /L 03-  | 1   | M 563/981 |     |                | VRV dark grey/natural           |         |     |              |
|     |                | ETC black               |         |     |           |     |                | VRW brown/natural               |         |     |              |
|     |                | ETD graphite grey       |         |     |           | (5) | 996 555 121 09 | door trim panel leather         | /L 03-  | 1   | M490/680/563 |
|     |                | ETE savanna             |         |     |           |     |                | ETC black                       |         |     |              |
|     |                | ETF metropole blue      |         |     |           |     |                | ETD graphite grey               |         |     |              |
|     |                | ETG nephrite green      |         |     |           |     |                | ETE savanna                     |         |     |              |
|     |                | ETH boxster red         |         |     |           |     |                | ETF metropole blue              |         |     |              |
|     |                | FEL cinnamon brown      |         |     |           |     |                | ETG nephrite green              |         |     |              |
|     |                | VRV dark grey/natural   |         |     |           |     |                | ETH boxster red                 |         |     |              |
|     |                | VRW brown/natural       |         |     |           |     |                | FEL cinnamon brown              |         |     |              |
| (5) | 996 555 122 08 | door trim panel leather | /R 03-  | 1   | M 563/981 |     |                | VRV dark grey/natural           |         |     |              |
|     |                | ETC black               |         |     |           |     |                | VRW brown/natural               |         |     |              |
|     |                | ETD graphite grey       |         |     |           | (5) | 996 555 122 09 | door trim panel leather         | /R 03-  | 1   | M490/680/563 |
|     |                | ETE savanna             |         |     |           |     |                | ETC black                       |         |     |              |
|     |                | ETF metropole blue      |         |     |           |     |                | ETD graphite grey               |         |     |              |
|     |                | ETG nephrite green      |         |     |           |     |                | ETE savanna                     |         |     |              |
|     |                | ETH boxster red         |         |     |           |     |                | ETF metropole blue              |         |     |              |
|     |                | FEL cinnamon brown      |         |     |           |     |                | ETG nephrite green              |         |     |              |
|     |                | VRV dark grey/natural   |         |     |           |     |                | ETH boxster red                 |         |     |              |
|     |                | VRW brown/natural       |         |     |           |     |                | FEL cinnamon brown              |         |     |              |
| (5) | 996 555 121 09 | door trim panel leather | /L 03-  | 1   | M 490/563 |     |                | VRV dark grey/natural           |         |     |              |
|     |                | ETC black               |         |     |           |     |                | VRW brown/natural               |         |     |              |
|     |                | ETD graphite grey       |         |     |           | -   | 999 911 688 40 | adhesive tape<br>10 X 0,1 X 370 |         | 4   |              |
|     |                | ETE savanna             |         |     |           | 6   | 999 507 505 40 | clip<br>grey                    |         | 8   |              |
|     |                | ETF metropole blue      |         |     |           |     |                |                                 |         |     |              |

|       |      |    |    |              |              |        |       |            |         |     |         |
|-------|------|----|----|--------------|--------------|--------|-------|------------|---------|-----|---------|
| Model | Year | MG | SG | Illustration | Restrictions | Update | 11:38 | 25.11.2005 | PORSCHE | PET | PORSCHE |
| 996   | 05   | 8  | 07 | 807-10       |              | 194    |       |            |         |     |         |

| Pos  | Part Number    | Name                       | Remarks | Qty | Model | Pos  | Part Number    | Name                  | Remarks | Qty | Model        |
|------|----------------|----------------------------|---------|-----|-------|------|----------------|-----------------------|---------|-----|--------------|
| 6    | 999 507 582 40 | clip<br>white<br>8,0 X 0,9 |         | 8   |       | (12) | 996 555 651 03 | lining<br>door mirror | /LL/L00 | 1   | M094/XTK/273 |
| 7    | 999 507 651 40 | expander nut<br>9,0 X 0,9  |         | 2   |       |      | T12            | brown/natural         |         |     |              |
| 8    | 999 507 427 40 | expander nut<br>6,3        | -04     | 2   |       | (12) | 996 555 652 03 | lining<br>door mirror | /RL/L00 | 1   | M094/XTK/273 |
|      |                |                            |         |     |       |      | T12            | brown/natural         |         |     |              |
| 10   | 996 613 241 00 | switch<br>door mirror      |         | 1   |       | (12) | 996 555 652 02 | lining                | /LL/R   | 1   |              |
|      | 01C            | satin black                |         |     |       |      | D05            | granite grey          | -99     |     |              |
| (12) | 996 555 651 03 | lining<br>door mirror      | /LL/L   | 1   |       |      | A03            | black                 | 00-     |     |              |
|      | D05            | granite grey               | -99     |     |       |      | C53            | graphite grey         | 00-     |     |              |
|      | A03            | black                      | 00-     |     |       |      | S33            | savanna               | 00-     |     |              |
|      | C53            | graphite grey              | 00-     |     |       |      | G13            | metropole blue        | 00-     |     |              |
|      | S33            | savanna                    | 00-     |     |       |      | B13            | space grey            | 00      |     |              |
|      | G13            | metropole blue             | 00-     |     |       |      | J33            | nephrite green        | 00-     |     |              |
|      | B13            | space grey                 | 00      |     |       |      | M33            | boxster red           | 00-     |     |              |
|      | J33            | nephrite green             | 00-     |     |       |      | P13            | cinnamon brown        | 01-     |     |              |
|      | M33            | boxster red                | 00-     |     |       | (12) | 996 555 651 02 | lining<br>door mirror | /RL/L   | 1   |              |
|      | P13            | cinnamon brown             | 01-     |     |       |      | D05            | granite grey          | -99     |     |              |
| (12) | 996 555 652 03 | lining<br>door mirror      | /RL/R   | 1   |       |      | A03            | black                 | 00-     |     |              |
|      | D05            | granite grey               | -99     |     |       |      | C53            | graphite grey         | 00-     |     |              |
|      | A03            | black                      | 00-     |     |       |      | S33            | savanna               | 00-     |     |              |
|      | C53            | graphite grey              | 00-     |     |       |      | G13            | metropole blue        | 00-     |     |              |
|      | S33            | savanna                    | 00-     |     |       |      | B13            | space grey            | 00      |     |              |
|      | G13            | metropole blue             | 00-     |     |       |      | J33            | nephrite green        | 00-     |     |              |
|      | B13            | space grey                 | 00      |     |       |      | M33            | boxster red           | 00-     |     |              |
|      | J33            | nephrite green             | 00-     |     |       | (12) | 996 555 652 02 | lining<br>door mirror | /LL/R   | 1   | M094/XTK/276 |
|      | M33            | boxster red                | 00-     |     |       |      | T12            | brown/natural         |         |     |              |
|      | P13            | cinnamon brown             | 01-     |     |       | (12) | 996 555 651 02 | lining<br>door mirror | /RL/L   | 1   | M094/XTK/276 |



|       |      |    |    |              |              |        |       |            |         |     |         |
|-------|------|----|----|--------------|--------------|--------|-------|------------|---------|-----|---------|
| Model | Year | MG | SG | Illustration | Restrictions | Update | 11:38 | 25.11.2005 | PORSCHE | PET | PORSCHE |
| 996   | 05   | 8  | 07 | 807-10       |              | 194    |       |            |         |     |         |

| Pos  | Part Number    | Name   | Remarks  | Qty | Model                   | Pos  | Part Number    | Name   | Remarks                       | Qty | Model                   |
|------|----------------|--|----------|-----|-------------------------|------|----------------|--|-------------------------------|-----|-------------------------|
| (12) | 996 555 983 00 | T12 brown/natural<br>lining<br>leather<br>A11 black<br>C51 graphite grey<br>S31 savanna<br>G11 metropole blue<br>J31 nephrite green<br>M31 boxster red<br>D12 dark grey/natural<br>T12 brown/natural<br>P12 cinnamon brown | /LL/L01- | 1   | XTF/XTJ/XTK/<br>XTL/XTR | (12) | 996 555 984 00 | J31 nephrite green<br>M31 boxster red<br>D12 dark grey/natural<br>T12 brown/natural<br>P12 cinnamon brown<br>lining<br>leather<br>A11 black<br>C51 graphite grey<br>S31 savanna<br>G11 metropole blue<br>J31 nephrite green<br>M31 boxster red<br>D12 dark grey/natural<br>T12 brown/natural<br>P12 cinnamon brown | 00-<br>00-<br>01-<br>/RL/R01- | 1   | XTF/XTJ/XTK/<br>XTL/XTR |
| (12) | 996 555 984 01 | lining<br>leather<br>A11 black<br>C51 graphite grey<br>S31 savanna<br>G11 metropole blue<br>J31 nephrite green<br>M31 boxster red<br>D12 dark grey/natural<br>T12 brown/natural<br>P12 cinnamon brown                      | /LL/R01- | 1   | XTF/XTJ/XTK/<br>XTL/XTR | 13 A | 996 555 371 00 | inner door release<br>valid up to:<br>order also:<br>996.537.320.03<br>complete<br>leather<br>F >>99WS6 29813<br>F >>99XS6 00957<br>F >>99XS6 40512<br>F >>99XS6 52307<br>ENH black<br>ENJ graphite grey<br>ENK savanna<br>ENL metropole blue<br>ENM space grey<br>ENN nephrite green<br>ENO boxster red           | /L 98                         | 1   |                         |
| (12) | 996 555 983 01 | lining<br>leather<br>A11 black<br>C51 graphite grey<br>S31 savanna<br>G11 metropole blue   | /RL/L01- | 1   | XTF/XTJ/XTK/<br>XTL/XTR |      |                |  |                               |     |                         |

|       |      |    |    |              |              |        |       |            |         |     |         |
|-------|------|----|----|--------------|--------------|--------|-------|------------|---------|-----|---------|
| Model | Year | MG | SG | Illustration | Restrictions | Update | 11:38 | 25.11.2005 | PORSCHE | PET | PORSCHE |
| 996   | 05   | 8  | 07 | 807-10       |              | 194    |       |            |         |     |         |

| Pos  | Part Number      | Name   | Remarks | Qty | Model | Pos  | Part Number      | Name   | Remarks | Qty | Model |
|------|------------------|--|---------|-----|-------|------|------------------|--|---------|-----|-------|
| (13) | A 996 555 372 00 | inner door release<br>valid up to:<br>order also:<br>996.537.320.03<br>complete<br>leather<br>F >>99WS6 29813<br>F >>99XS6 00957<br>F >>99XS6 40512<br>F >>99XS6 52307 | /R 98   | 1   |       | (13) | A 996 555 372 01 | inner door release<br>valid up to:<br>order also:<br>996.537.320.03<br>complete<br>leather<br>F 99WS6 29814>><br>F 99XS6 00958>><br>F 99XS6 40513>><br>F 99XS6 52308>> | /R 99   | 1   |       |
|      | ENH              | black  |         |     |       |      | ENH              | black  |         |     |       |
|      | ENJ              | graphite grey  |         |     |       |      | ENJ              | graphite grey  |         |     |       |
|      | ENK              | savanna  |         |     |       |      | ENK              | savanna  |         |     |       |
|      | ENL              | metropole blue   |         |     |       |      | ENL              | metropole blue   |         |     |       |
|      | ENM              | space grey   |         |     |       |      | ENM              | space grey   |         |     |       |
|      | ENN              | nephrite green   |         |     |       |      | ENN              | nephrite green   |         |     |       |
|      | ENO              | boxster red  |         |     |       |      | ENO              | boxster red  |         |     |       |
| 13   | A 996 555 371 01 | inner door release<br>valid up to:<br>order also:<br>996.537.320.03<br>complete<br>leather<br>F 99WS6 29814>><br>F 99XS6 00958>><br>F 99XS6 40513>><br>F 99XS6 52308>> | /L 99   | 1   |       | 13   | 996 555 371 02   | inner door release<br>valid up to:<br>order also:<br>996.537.320.03<br>complete<br>leather   | /L -99  | 1   |       |
|      | ENH              | black  |         |     |       |      | ENH              | black  |         |     |       |
|      | ENJ              | graphite grey  |         |     |       |      | ENJ              | graphite grey  |         |     |       |
|      | ENK              | savanna  |         |     |       |      | ENK              | savanna  |         |     |       |
|      | ENL              | metropole blue   |         |     |       |      | ENL              | metropole blue   |         |     |       |
|      | ENM              | space grey   |         |     |       |      | ENM              | space grey   |         |     |       |
|      | ENN              | nephrite green   |         |     |       |      | ENN              | nephrite green   |         |     |       |
|      | ENO              | boxster red  |         |     |       |      | ENO              | boxster red  |         |     |       |
|      |                  |  |         |     |       | (13) | 996 555 372 02   | inner door release<br>valid up to:<br>order also:<br>996.537.320.03<br>complete<br>leather   | /R -99  | 1   |       |
|      |                  |  |         |     |       |      | ENH              | black  |         |     |       |
|      |                  |  |         |     |       |      | ENJ              | graphite grey  |         |     |       |
|      |                  |  |         |     |       |      | ENK              | savanna  |         |     |       |

|       |      |    |    |              |              |        |       |            |         |     |         |
|-------|------|----|----|--------------|--------------|--------|-------|------------|---------|-----|---------|
| Model | Year | MG | SG | Illustration | Restrictions | Update | 11:38 | 25.11.2005 | PORSCHE | PET | PORSCHE |
| 996   | 05   | 8  | 07 | 807-10       |              | 194    |       |            |         |     |         |

| Pos  | Part Number    | Name                                | Remarks | Qty | Model | Pos  | Part Number    | Name                                | Remarks | Qty | Model |
|------|----------------|-------------------------------------|---------|-----|-------|------|----------------|-------------------------------------|---------|-----|-------|
|      |                | ENL metropole blue                  |         |     |       |      | C51            | graphite grey                       |         |     |       |
|      |                | ENM space grey                      |         |     |       |      | S31            | savanna                             |         |     |       |
|      |                | ENN nephrite green                  |         |     |       |      | G11            | metropole blue                      |         |     |       |
|      |                | ENO boxster red                     |         |     |       |      | J31            | nephrite green                      |         |     |       |
| (13) | 996 555 251 00 | inner door release complete leather | /L 00   | 1   |       |      | M31            | boxster red                         |         |     |       |
|      | A11            | black                               |         |     |       |      | D12            | dark grey                           |         |     |       |
|      | C51            | graphite grey                       |         |     |       |      | T12            | brown/natural                       |         |     |       |
|      | S31            | savanna                             |         |     |       | (13) | 996 555 252 01 | inner door release complete leather | /LL/R01 | 1   |       |
|      | G11            | metropole blue                      |         |     |       |      | A11            | black                               |         |     |       |
|      | B51            | space grey                          | 00      |     |       |      | C51            | graphite grey                       |         |     |       |
|      | J31            | nephrite green                      |         |     |       |      | S31            | savanna                             |         |     |       |
|      | M31            | boxster red                         |         |     |       |      | G11            | metropole blue                      |         |     |       |
|      | D12            | dark grey                           |         |     |       |      | J31            | nephrite green                      |         |     |       |
|      | T12            | brown/natural                       |         |     |       |      | M31            | boxster red                         |         |     |       |
| (13) | 996 555 252 00 | inner door release complete leather | /R 00   | 1   |       |      | D12            | dark grey                           |         |     |       |
|      | A11            | black                               |         |     |       |      | T12            | brown/natural                       |         |     |       |
|      | C51            | graphite grey                       |         |     |       |      | P12            | cinnamon brown                      |         |     |       |
|      | S31            | savanna                             |         |     |       | (13) | 996 555 251 02 | inner door release complete leather | /RL/L01 | 1   |       |
|      | G11            | metropole blue                      |         |     |       |      | A11            | black                               |         |     |       |
|      | B51            | space grey                          | 00      |     |       |      | C51            | graphite grey                       |         |     |       |
|      | J31            | nephrite green                      |         |     |       |      | S31            | savanna                             |         |     |       |
|      | M31            | boxster red                         |         |     |       |      | G11            | metropole blue                      |         |     |       |
|      | D12            | dark grey                           |         |     |       |      | J31            | nephrite green                      |         |     |       |
|      | T12            | brown/natural                       |         |     |       |      | M31            | boxster red                         |         |     |       |
| (13) | 996 555 251 01 | inner door release complete leather | /LL/L01 | 1   |       |      | D12            | dark grey                           |         |     |       |
|      | A11            | black                               |         |     |       |      | T12            | brown/natural                       |         |     |       |

|       |      |    |    |              |              |        |       |            |         |     |         |
|-------|------|----|----|--------------|--------------|--------|-------|------------|---------|-----|---------|
| Model | Year | MG | SG | Illustration | Restrictions | Update | 11:38 | 25.11.2005 | PORSCHE | PET | PORSCHE |
| 996   | 05   | 8  | 07 | 807-10       |              | 194    |       |            |         |     |         |

| Pos  | Part Number    | Name  | Remarks | Qty | Model | Pos  | Part Number   | Name   | Remarks  | Qty | Model |
|------|----------------|---|---------|-----|-------|------|---|--|----------|-----|-------|
| (13) | 996 555 252 02 | P12 cinnamon brown<br>inner door release complete leather   | /RL/R01 | 1   |       |      | J31 nephrite green<br>M31 boxster red<br>D12 dark grey<br>T12 brown/natural<br>P12 cinnamon brown |  |          |     |       |
| (13) | 996 555 251 03 | A11 black<br>C51 graphite grey<br>S31 savanna<br>G11 metropole blue<br>J31 nephrite green<br>M31 boxster red<br>D12 dark grey<br>T12 brown/natural<br>P12 cinnamon brown<br>inner door release complete leather | /LL/L02 | 1   |       | (13) | 996 555 251 04  | A11 black<br>C51 graphite grey<br>S31 savanna<br>G11 metropole blue<br>J31 nephrite green<br>M31 boxster red<br>D12 dark grey<br>T12 brown/natural<br>P12 cinnamon brown | /RL/L02  | 1   |       |
| (13) | 996 555 252 03 | A11 black<br>C51 graphite grey<br>S31 savanna<br>G11 metropole blue<br>J31 nephrite green<br>M31 boxster red<br>D12 dark grey<br>T12 brown/natural<br>P12 cinnamon brown<br>inner door release complete leather | /LL/R02 | 1   |       | (13) | 996 555 252 04  | A11 black<br>C51 graphite grey<br>S31 savanna<br>G11 metropole blue<br>J31 nephrite green<br>M31 boxster red<br>D12 dark grey<br>T12 brown/natural<br>P12 cinnamon brown | /RL/R02  | 1   |       |
| (13) | 996 555 252 03 | A11 black<br>C51 graphite grey<br>S31 savanna<br>G11 metropole blue<br>inner door release complete leather  | /LL/R02 | 1   |       | (13) | 996 555 251 05  | A11 black<br>C51 graphite grey<br>S31 savanna<br>G11 metropole blue<br>inner door release complete leather   | /LL/L03- | 1   |       |

|       |      |    |    |              |              |        |       |            |         |     |         |
|-------|------|----|----|--------------|--------------|--------|-------|------------|---------|-----|---------|
| Model | Year | MG | SG | Illustration | Restrictions | Update | 11:38 | 25.11.2005 | PORSCHE | PET | PORSCHE |
| 996   | 05   | 8  | 07 | 807-10       |              | 194    |       |            |         |     |         |

| Pos  | Part Number    | Name                                | Remarks  | Qty | Model | Pos  | Part Number    | Name   | Remarks  | Qty | Model |
|------|----------------|-------------------------------------|----------|-----|-------|------|----------------|--|----------|-----|-------|
|      | A11            | black                               |          |     |       |      | T12            | brown/natural  |          |     |       |
|      | C51            | graphite grey                       |          |     |       |      | P12            | cinnamon brown   |          |     |       |
|      | S31            | savanna                             |          |     |       | (13) | 996 555 252 06 | inner door release complete leather  | /RL/R03- | 1   |       |
|      | G11            | metropole blue                      |          |     |       |      | A11            | black  |          |     |       |
|      | J31            | nephrite green                      |          |     |       |      | C51            | graphite grey  |          |     |       |
|      | M31            | boxster red                         |          |     |       |      | S31            | savanna  |          |     |       |
|      | D12            | dark grey                           |          |     |       |      | G11            | metropole blue   |          |     |       |
|      | T12            | brown/natural                       |          |     |       |      | J31            | nephrite green   |          |     |       |
|      | P12            | cinnamon brown                      |          |     |       |      | M31            | boxster red  |          |     |       |
| (13) | 996 555 252 05 | inner door release complete leather | /LL/R03- | 1   |       |      | D12            | dark grey  |          |     |       |
|      | A11            | black                               |          |     |       |      | T12            | brown/natural  |          |     |       |
|      | C51            | graphite grey                       |          |     |       |      | P12            | cinnamon brown   |          |     |       |
|      | S31            | savanna                             |          |     |       | 14   | 999 703 440 40 | buffer 7 X 10 X 16   |          | 2   |       |
|      | G11            | metropole blue                      |          |     |       | 15   | 999 507 476 01 | clamp 8 X 10 X16   |          | 12  |       |
|      | J31            | nephrite green                      |          |     |       | (16) | 996 555 425 01 | handle<br>F >>99WS6 29813<br>F >>99XS6 00957<br>F >>99XS6 40512<br>F >>99XS6 52307 | /L       | 1   |       |
|      | M31            | boxster red                         |          |     |       |      | V01            | silver   |          |     |       |
|      | D12            | dark grey                           |          |     |       | (16) | 996 555 426 01 | handle<br>F >>99WS6 29813<br>F >>99XS6 00957<br>F >>99XS6 40512<br>F >>99XS6 52307 | /R       | 1   |       |
|      | T12            | brown/natural                       |          |     |       |      | V01            | silver   |          |     |       |
|      | P12            | cinnamon brown                      |          |     |       | (16) | 996 555 425 03 | handle<br>F 99WS6 29814>><br>F 99XS6 00958>><br>F 99XS6 40513>><br>F 99XS6 52308>> | /L -02   | 1   |       |
| (13) | 996 555 251 06 | inner door release complete leather | /RL/L03- | 1   |       |      | V01            | silver   |          |     |       |
|      | A11            | black                               |          |     |       |      |                |  |          |     |       |
|      | C51            | graphite grey                       |          |     |       |      |                |  |          |     |       |
|      | S31            | savanna                             |          |     |       |      |                |  |          |     |       |
|      | G11            | metropole blue                      |          |     |       |      |                |  |          |     |       |
|      | J31            | nephrite green                      |          |     |       |      |                |  |          |     |       |
|      | M31            | boxster red                         |          |     |       |      |                |  |          |     |       |
|      | D12            | dark grey                           |          |     |       |      |                |  |          |     |       |

|       |      |    |    |              |              |        |       |            |         |     |         |
|-------|------|----|----|--------------|--------------|--------|-------|------------|---------|-----|---------|
| Model | Year | MG | SG | Illustration | Restrictions | Update | 11:38 | 25.11.2005 | PORSCHE | PET | PORSCHE |
| 996   | 05   | 8  | 07 | 807-10       |              | 194    |       |            |         |     |         |

| Pos  | Part Number    | Name   | Remarks | Qty | Model | Pos  | Part Number    | Name                         | Remarks | Qty | Model |
|------|----------------|--|---------|-----|-------|------|----------------|------------------------------|---------|-----|-------|
| 16   | 996 555 426 03 | handle<br>F 99WS6 29814>><br>F 99XS6 00958>><br>F 99XS6 40513>><br>F 99XS6 52308>><br>V01 silver | /R -02  | 1   |       |      | C51            | graphite grey                |         |     |       |
| (16) | 996 555 425 04 | handle<br>V03 silver   | /L 03-  | 1   |       |      | S31            | savanna                      |         |     |       |
| 16   | 996 555 426 04 | handle<br>V03 silver   | /R 03-  | 1   |       |      | G11            | metropole blue               |         |     |       |
| 17   | 999 166 084 02 | bolt<br>4 X 39 X 37  |         | 2   |       |      | B51            | space grey                   | -00     |     |       |
| 18   | 999 166 026 02 | lock<br>4  |         | 2   |       | 27   | 996 555 592 00 | cover<br>handle<br>leather   | /R      | 1   |       |
| 19   | 999 507 568 40 | linkage clip<br>F >>99WS6 29813<br>F >>99XS6 00957<br>F >>99XS6 40512<br>F >>99XS6 52307         |         | 2   |       |      | J31            | nephrite green               |         |     |       |
| (19) | 999 702 281 40 | grommet<br>F 99WS6 29814>><br>F 99XS6 00958>><br>F 99XS6 40513>><br>F 99XS6 52308>>              |         | 2   |       |      | M31            | boxster red                  |         |     |       |
| 20   | 996 613 123 00 | microswitch  |         | 2   |       |      | D12            | dark grey                    | 00-     |     |       |
| 21   | 999 073 113 09 | oval-head screw<br>M 6 X 50  |         | 2   |       |      | T12            | brown/natural                | 00-     |     |       |
| 22   | 999 073 112 09 | oval-head screw<br>M 6 X 80  |         | 2   |       |      | P12            | cinnamon brown               | 01-     |     |       |
| 23   | 999 073 061 02 | tapping screw<br>4,8 X 16  |         | 2   |       | (27) | 996 555 988 02 | cover<br>carbon              | /L 01-  | 1   | XTL   |
| 24   | 999 522 015 00 | tension spring   |         | 2   |       | 27   | 996 555 989 02 | cover<br>carbon              | /R 01-  | 1   | XTL   |
| 25   | 996 555 635 00 | hose   |         | 2   |       | 29   | 999 920 011 40 | special nut<br>5,0 X 2,0 X 8 |         | 4   |       |
| 26   | 999 073 080 02 | tapping screw<br>4,2 X 16  |         | 8   |       | 32   | 996 555 623 00 | cap                          | -99     | 2   |       |
| (27) | 996 555 591 00 | cover<br>handle<br>leather<br>A11 black  | /L      | 1   |       |      | 01C            | satin black                  |         |     |       |
|      |                |  |         |     |       | 32   | 996 555 623 01 | cap                          | 00-02   | 2   |       |
|      |                |  |         |     |       |      | V01            | silver                       |         |     |       |

|       |      |    |    |              |              |        |       |            |         |     |         |
|-------|------|----|----|--------------|--------------|--------|-------|------------|---------|-----|---------|
| Model | Year | MG | SG | Illustration | Restrictions | Update | 11:38 | 25.11.2005 | PORSCHE | PET | PORSCHE |
| 996   | 05   | 8  | 07 | 807-10       |              | 194    |       |            |         |     |         |

| Pos  | Part Number    | Name                       | Remarks | Qty | Model | Pos  | Part Number    | Name              | Remarks | Qty | Model |
|------|----------------|----------------------------|---------|-----|-------|------|----------------|-------------------|---------|-----|-------|
| 32   | 996 555 623 02 | cap                        | 03-     | 2   |       |      | EHY            | boxster red       | -99     |     |       |
|      | V03            | silver                     |         |     |       |      | A11            | black             |         |     |       |
| 33   | 999 067 043 02 | pan-head screw<br>M 5 X 10 |         | 1   |       |      | C51            | graphite grey     |         |     |       |
| (34) | 996 555 221 00 | cover<br>leather           | /L -02  | 1   |       |      | S31            | savanna           |         |     |       |
|      | EHS            | black                      | -99     |     |       |      | G11            | metropole blue    |         |     |       |
|      | EHT            | graphite grey              | -99     |     |       |      | B51            | space grey        | -00     |     |       |
|      | EHU            | savanna                    | -99     |     |       |      | J31            | nephrite green    |         |     |       |
|      | EHV            | metropole blue             | -99     |     |       |      | M31            | boxster red       |         |     |       |
|      | EHW            | space grey                 | -99     |     |       |      | D12            | dark grey         | 00-     |     |       |
|      | EHX            | nephrite green             | -99     |     |       |      | T12            | brown/natural     | 00-     |     |       |
|      | EHY            | boxster red                | -99     |     |       |      | P12            | cinnamon brown    | 01-     |     |       |
|      | A11            | black                      |         |     |       | 34   | 996 555 221 01 | cover<br>leather  | /L 03-  | 1   |       |
|      | C51            | graphite grey              |         |     |       |      | A11            | black             |         |     |       |
|      | S31            | savanna                    |         |     |       |      | C51            | graphite grey     |         |     |       |
|      | G11            | metropole blue             |         |     |       |      | S31            | savanna           |         |     |       |
|      | B51            | space grey                 | -00     |     |       |      | G11            | metropole blue    |         |     |       |
|      | J31            | nephrite green             |         |     |       |      | J31            | nephrite green    |         |     |       |
|      | M31            | boxster red                |         |     |       |      | M31            | boxster red       |         |     |       |
|      | D12            | dark grey                  | 00-     |     |       |      | P12            | cinnamon brown    |         |     |       |
|      | T12            | brown/natural              | 00-     |     |       |      | D12            | dark grey/natural |         |     |       |
|      | P12            | cinnamon brown             | 01-     |     |       |      | T12            | brown/natural     |         |     |       |
| 34   | 996 555 222 00 | cover<br>leather           | /R -02  | 1   |       | (34) | 996 555 222 01 | cover<br>leather  | /R 03-  | 1   |       |
|      | EHS            | black                      | -99     |     |       |      | A11            | black             |         |     |       |
|      | EHT            | graphite grey              | -99     |     |       |      | C51            | graphite grey     |         |     |       |
|      | EHU            | savanna                    | -99     |     |       |      | S31            | savanna           |         |     |       |
|      | EHV            | metropole blue             | -99     |     |       |      | G11            | metropole blue    |         |     |       |
|      | EHW            | space grey                 | -99     |     |       |      | J31            | nephrite green    |         |     |       |
|      | EHX            | nephrite green             | -99     |     |       |      | M31            | boxster red       |         |     |       |

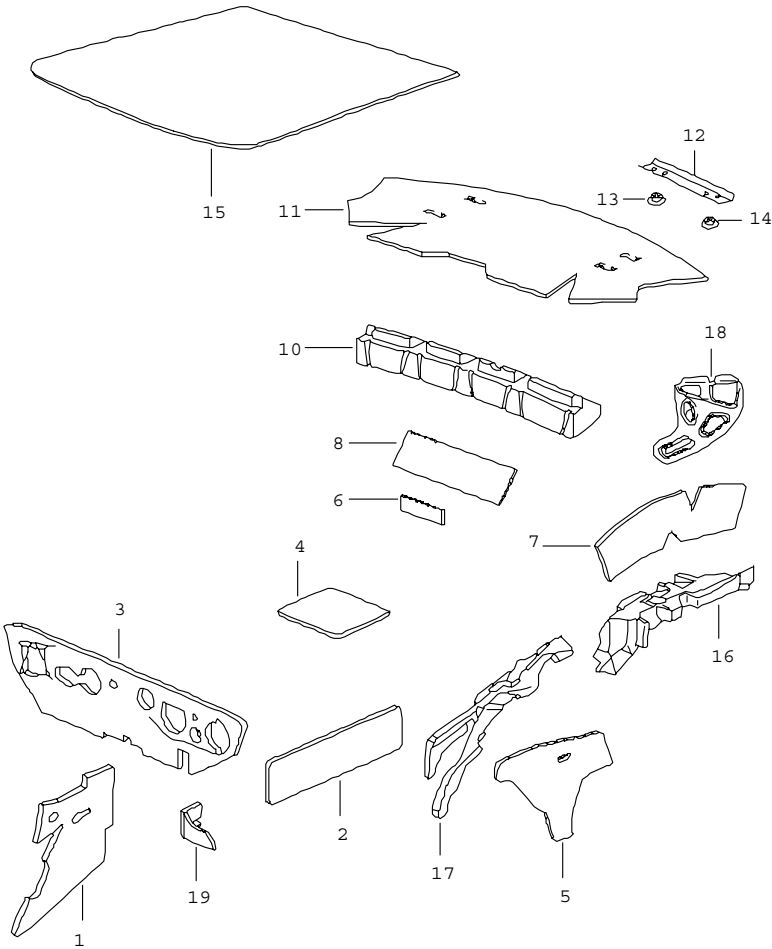
|       |      |    |    |              |              |        |       |            |         |     |         |
|-------|------|----|----|--------------|--------------|--------|-------|------------|---------|-----|---------|
| Model | Year | MG | SG | Illustration | Restrictions | Update | 11:38 | 25.11.2005 | PORSCHE | PET | PORSCHE |
| 996   | 05   | 8  | 07 | 807-10       |              | 194    |       |            |         |     |         |

| Pos  | Part Number    | Name                       | Remarks  | Qty | Model | Pos  | Part Number    | Name                      | Remarks | Qty | Model |
|------|----------------|----------------------------|----------|-----|-------|------|----------------|---------------------------|---------|-----|-------|
|      | P12            | cinnamon brown             |          |     |       | 35   | 996 555 611 02 | handle<br>lacquered       | 03-     | 2   |       |
|      | D12            | dark grey/natural          |          |     |       |      | V03            | silver                    |         |     |       |
|      | T12            | brown/natural              |          |     |       | (37) | 996 555 441 00 | end plate                 | /L      | 1   |       |
| 34   | 996 555 980 00 | cover<br>rootwood<br>light | /L01 -02 | 1   | XTJ   | 37   | 996 555 442 00 | end plate                 | /R      | 1   |       |
| 34   | 996 555 980 04 | cover<br>rootwood<br>light | /L 03-   | 1   | XTJ   | 38   | 999 094 018 00 | bolt                      |         | 2   |       |
| (34) | 996 555 981 00 | cover<br>rootwood<br>light | /R01 -02 | 1   | XTJ   | 39   | 999 073 081 02 | tapping screw<br>4,2 X 13 |         | 4   |       |
| (34) | 996 555 981 04 | cover<br>rootwood<br>light | /R 03-   | 1   | XTJ   |      |                | - - - E N D - - -         |         |     |       |
| 34   | 996 555 980 01 | cover<br>rootwood<br>dark  | /L01 -02 | 1   | XTK   |      |                |                           |         |     |       |
| 34   | 996 555 980 05 | cover<br>rootwood<br>dark  | /L 03-   | 1   | XTK   |      |                |                           |         |     |       |
| (34) | 996 555 981 01 | cover<br>rootwood<br>dark  | /R 01-02 | 1   | XTK   |      |                |                           |         |     |       |
| (34) | 996 555 981 05 | cover<br>rootwood<br>dark  | /R 03-   | 1   | XTK   |      |                |                           |         |     |       |
| (34) | 996 555 980 02 | cover<br>carbon            | /L -02   | 1   | XTL   |      |                |                           |         |     |       |
| (34) | 996 555 981 02 | cover<br>carbon            | /R -02   | 1   | XTL   |      |                |                           |         |     |       |
| (34) | 996 555 980 06 | cover<br>carbon            | /L 03-   | 1   | XTL   |      |                |                           |         |     |       |
| (34) | 996 555 981 06 | cover<br>carbon            | /R 03-   | 1   | XTL   |      |                |                           |         |     |       |
| --   | 996 555 483 00 | buffer                     |          | 4   |       |      |                |                           |         |     |       |
| 35   | 996 555 611 01 | handle<br>lacquered        | -02      | 2   |       |      |                |                           |         |     |       |
|      | V01            | silver                     |          |     |       |      |                |                           |         |     |       |



|       |      |    |    |              |              |        |       |            |         |     |         |
|-------|------|----|----|--------------|--------------|--------|-------|------------|---------|-----|---------|
| Model | Year | MG | SG | Illustration | Restrictions | Update | 11:38 | 25.11.2005 | PORSCHE | PET | PORSCHE |
| 996   | 05   | 8  | 07 | 807-15       |              | 194    |       |            |         |     |         |

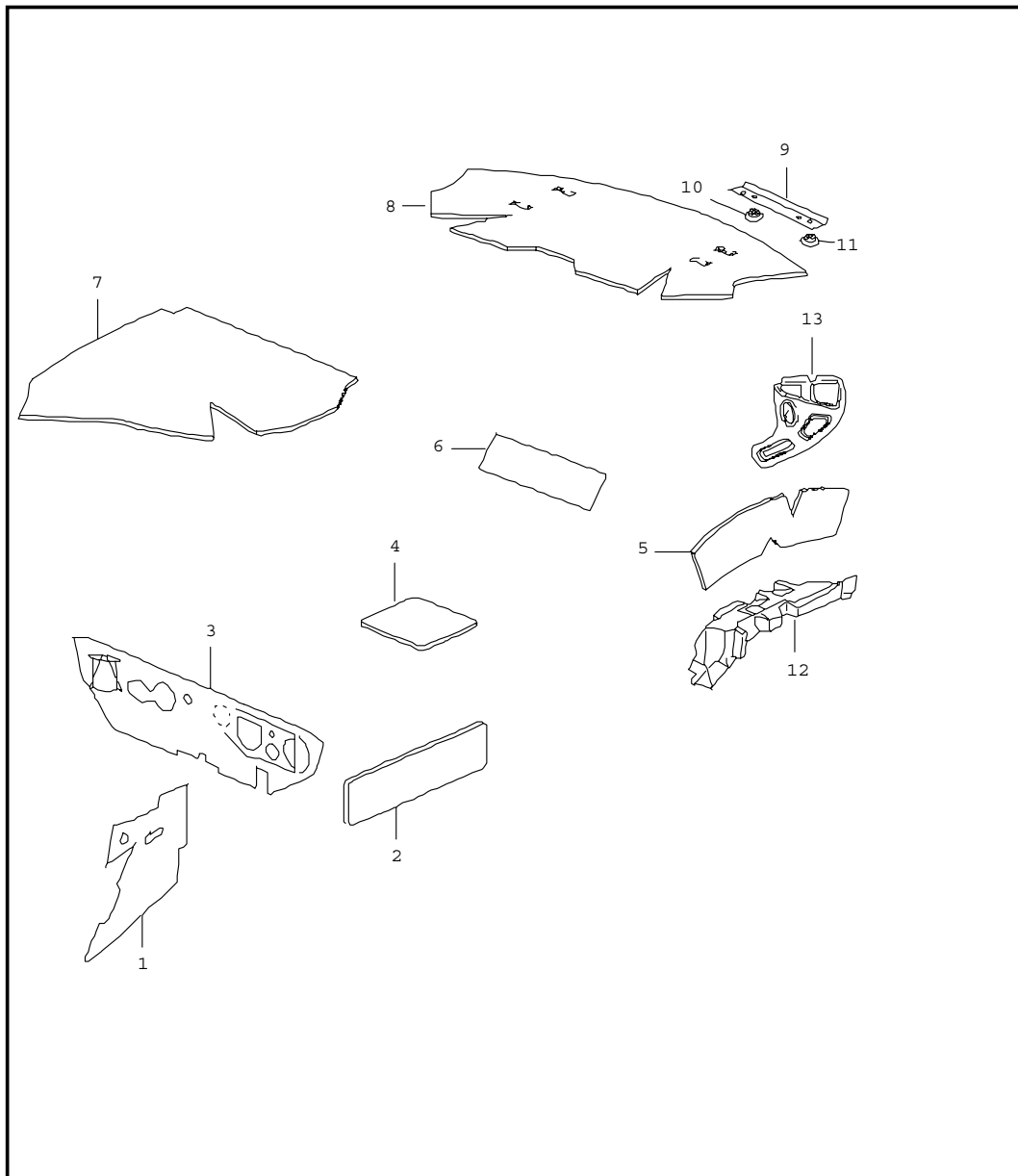
| Pos  | Part Number    | Name   | Remarks | Qty | Model |
|------|----------------|--|---------|-----|-------|
|      |                |  |         |     | COUPE |
| 1    | 996 556 605 01 | body<br>sound proofing 1   |         | 1   |       |
| (1)  | 996 556 606 01 | sound absorber<br>wheel housing<br>front                                   | /L      | 1   |       |
| 2    | 996 556 531 01 | sound absorber<br>wheel housing<br>front                                   | /R      | 1   |       |
| 2    | 996 556 531 01 | insulation<br>door in white  |         | 2   |       |
| 3    | 996 556 723 01 | sound absorber<br>firewall   | /LL     | 1   |       |
| (3)  | 996 556 724 01 | sound absorber<br>firewall   | /RL     | 1   |       |
| 4    | 996 556 503 01 | insulation<br>floor<br>228 X 230   |         | 1   |       |
| 5    | 996 556 655 02 | sound absorber   | /L      | 1   |       |
| (5)  | 996 556 656 02 | sound absorber<br>side trim panel  | /R      | 1   |       |
| 6    | 996 556 503 01 | insulation<br>seat well<br>it is necessary to rework<br>160 X 40           | /L/R    | 1   |       |
| 7    | 996 556 507 01 | insulation   | /H/L    | 1   |       |
| (7)  | 996 556 508 01 | insulation<br>wheel housing  | /H/R    | 1   |       |
| 8    | 996 556 511 01 | insulation<br>rear wall<br>430 X 120                                       |         | 1   |       |
| 10   | 996 556 581 00 | sound absorber<br>rear wall  | -01     | 1   |       |
| 11   | 996 556 711 03 | sound absorber<br>F >>994S6 03928<br>F >>994S6 30356<br>engine compartment |         | 1   |       |
| (11) | 996 556 711 04 | sound absorber<br>F 994S6 03929>><br>F 994S6 30357>><br>engine compartment |         | 1   |       |
| 12   | 996 556 761 00 | retaining strip<br>engine compartment                                      | -00     | 1   |       |



|       |      |    |    |              |              |        |       |            |         |     |         |
|-------|------|----|----|--------------|--------------|--------|-------|------------|---------|-----|---------|
| Model | Year | MG | SG | Illustration | Restrictions | Update | 11:38 | 25.11.2005 | PORSCHE | PET | PORSCHE |
| 996   | 05   | 8  | 07 | 807-15       |              | 194    |       |            |         |     |         |

| Pos  | Part Number    | Name                                  | Remarks  | Qty | Model | Pos | Part Number | Name | Remarks | Qty | Model |
|------|----------------|---------------------------------------|----------|-----|-------|-----|-------------|------|---------|-----|-------|
| (12) | 996 556 762 00 | retaining strip<br>engine compartment | -00      | 1   | M 620 |     |             |      |         |     |       |
| (12) | 996 556 761 01 | retaining strip<br>engine compartment | 01-      | 1   |       |     |             |      |         |     |       |
| 13   | 999 049 020 40 | plastic nut<br>T5/30 X 5,1<br>roof    |          | 5   |       |     |             |      |         |     |       |
| 14   | 999 049 011 40 | plastic nut<br>T5/30 X 6,0<br>roof    | -00      | 3   |       |     |             |      |         |     |       |
| 15   | 996 556 647 01 | sound absorber<br>roof                |          | 1   |       |     |             |      |         |     |       |
| 16   | 996 556 657 00 | sound absorber<br>wheel-housing liner | /H/L -02 | 1   |       |     |             |      |         |     |       |
| 16   | 996 556 657 03 | sound absorber<br>wheel-housing liner | /H/L 03- | 1   |       |     |             |      |         |     |       |
| (16) | 996 556 658 00 | sound absorber<br>wheel-housing liner | /H/R -02 | 1   |       |     |             |      |         |     |       |
| (16) | 996 556 658 03 | sound absorber<br>wheel-housing liner | /H/R 03- | 1   |       |     |             |      |         |     |       |
| 17   | 996 556 571 00 | sound absorber                        | /L       | 1   |       |     |             |      |         |     |       |
| (17) | 996 556 572 00 | sound absorber<br>side trim panel     | /R       | 1   |       |     |             |      |         |     |       |
| (18) | 996 556 753 01 | seal                                  | /L/O     | 1   |       |     |             |      |         |     |       |
| (18) | 996 556 754 01 | seal<br>side section                  | /R/O     | 1   |       |     |             |      |         |     |       |
| --   | 996 556 811 01 | filler piece                          | /L       | 1   |       |     |             |      |         |     |       |
| --   | 996 556 812 01 | filler piece<br>tray                  | /R       | 1   |       |     |             |      |         |     |       |
|      |                | - - - E N D - - -                     |          |     |       |     |             |      |         |     |       |

|       |      |    |    |              |              |        |       |            |         |     |         |
|-------|------|----|----|--------------|--------------|--------|-------|------------|---------|-----|---------|
| Model | Year | MG | SG | Illustration | Restrictions | Update | 11:39 | 25.11.2005 | PORSCHE | PET | PORSCHE |
| 996   | 05   | 8  | 07 | 807-16       |              | 194    |       |            |         |     |         |



| Pos | Part Number    | Name   | Remarks | Qty | Model  |
|-----|----------------|--|---------|-----|--------|
|     |                | body<br>sound proofing 1   |         |     | CABRIO |
| 1   | 996 556 605 01 | sound absorber<br>wheel housing<br>front                                   | /L      | 1   |        |
| (1) | 996 556 606 01 | sound absorber<br>wheel housing<br>front                                   | /R      | 1   |        |
| 2   | 996 556 531 01 | insulation<br>door in white  |         | 2   |        |
| 3   | 996 556 723 01 | sound absorber<br>firewall   | /LL     | 1   |        |
| (3) | 996 556 724 01 | sound absorber<br>firewall   | /RL     | 1   |        |
| 4   | 996 556 503 01 | insulation<br>floor<br>228 X 230   |         | 1   |        |
| --  | 996 556 503 01 | insulation<br>seat well<br>160 X 40  | /L/R    | 1   |        |
| 5   | 996 556 507 02 | insulation<br>wheel housing<br>rear  | /L      | 1   |        |
| (5) | 996 556 508 02 | insulation<br>wheel housing<br>rear  | /R      | 1   |        |
| 6   | 996 556 511 01 | insulation<br>rear wall<br>430 X 120                                       |         | 1   |        |
| (7) | 996 556 611 00 | sound absorber<br>convertible top<br>tray                                  | -99     | 1   |        |
| (7) | 996 556 611 02 | sound absorber<br>convertible top<br>tray                                  | /L 00-  | 1   |        |
| (7) | 996 556 612 01 | sound absorber<br>convertible top<br>tray                                  | /R      | 1   |        |
| 8   | 996 556 711 03 | sound absorber<br>F >>9946S 42725<br>F >>9946S 30356<br>engine compartment |         | 1   |        |

|       |      |    |    |              |              |        |       |            |         |     |         |
|-------|------|----|----|--------------|--------------|--------|-------|------------|---------|-----|---------|
| Model | Year | MG | SG | Illustration | Restrictions | Update | 11:39 | 25.11.2005 | PORSCHE | PET | PORSCHE |
| 996   | 05   | 8  | 07 | 807-16       |              | 194    |       |            |         |     |         |

| Pos  | Part Number    | Name   | Remarks | Qty | Model | Pos | Part Number | Name | Remarks | Qty | Model |
|------|----------------|--|---------|-----|-------|-----|-------------|------|---------|-----|-------|
| (8)  | 996 556 711 04 | sound absorber<br>F 994S6 42726>><br>F 994S6 30357>><br>engine compartment |         | 1   |       |     |             |      |         |     |       |
| 9    | 996 556 761 00 | retaining strip<br>engine compartment                                      | -00     | 2   |       |     |             |      |         |     |       |
| (9)  | 996 556 762 00 | retaining strip<br>engine compartment                                      | -00     | 1   | M 620 |     |             |      |         |     |       |
| 9    | 996 556 761 01 | retaining strip<br>engine compartment                                      | 01-     | 1   |       |     |             |      |         |     |       |
| 10   | 999 049 020 40 | plastic nut<br>T5/30 X 5,1   |         | 5   |       |     |             |      |         |     |       |
| 11   | 999 049 011 40 | plastic nut<br>T5/30 X 6,0   | -00     | 3   |       |     |             |      |         |     |       |
| 12   | 996 556 657 02 | sound absorber<br>wheel-housing liner<br>rear                              | /L -02  | 1   |       |     |             |      |         |     |       |
| 12   | 996 556 657 04 | sound absorber<br>wheel-housing liner<br>rear                              | /L 03-  | 1   |       |     |             |      |         |     |       |
| (12) | 996 556 658 02 | sound absorber<br>wheel-housing liner<br>rear                              | /R -02  | 1   |       |     |             |      |         |     |       |
| (12) | 996 556 658 04 | sound absorber<br>wheel-housing liner<br>rear                              | /R 03-  | 1   |       |     |             |      |         |     |       |
| 13   | 996 556 653 00 | sound absorber<br>control units  |         | 1   |       |     |             |      |         |     |       |
|      |                | - - - E N D - - -  |         |     |       |     |             |      |         |     |       |

PORSCHE

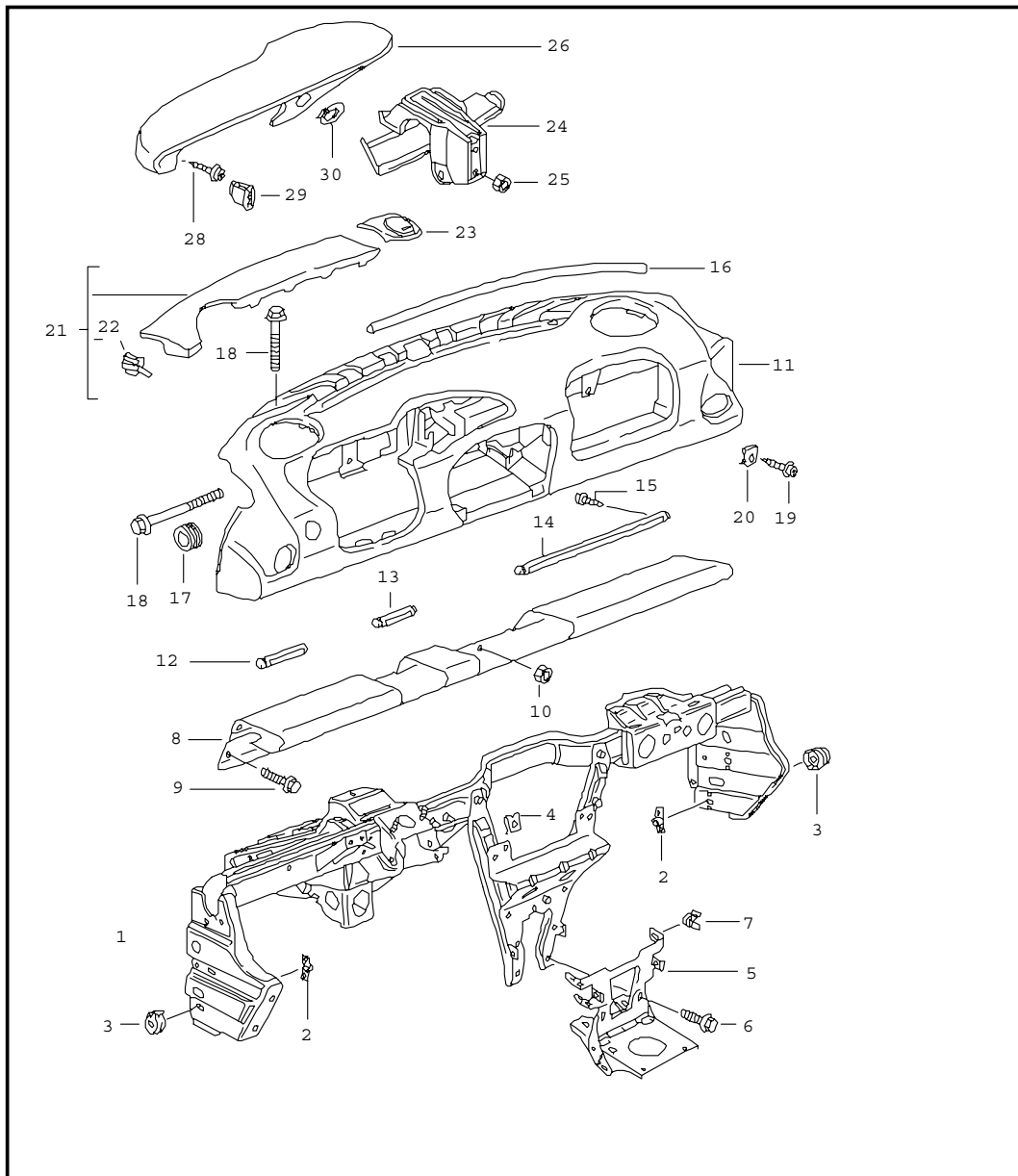
# PET

PORSCHE

|       |      |    |    |              |              |        |       |            |
|-------|------|----|----|--------------|--------------|--------|-------|------------|
| Model | Year | MG | SG | Illustration | Restrictions | Update |       |            |
| 996   | 05   | 8  | 08 | 808-00       |              | 194    | 11:39 | 25.11.2005 |

| Pos | Part Number | Name   | Remarks | Qty | Model |
|-----|-------------|--|---------|-----|-------|
|     |             | seat<br>complete<br><br>see group<br>8/26/00 - 8/26/99<br>catalogue<br>STZ 2 / 19<br><br>- - - E N D - - - |         |     |       |

|       |      |    |    |              |              |        |       |            |         |     |         |
|-------|------|----|----|--------------|--------------|--------|-------|------------|---------|-----|---------|
| Model | Year | MG | SG | Illustration | Restrictions | Update | 11:39 | 25.11.2005 | PORSCHE | PET | PORSCHE |
| 996   | 05   | 8  | 09 | 809-00       |              | 194    |       |            |         |     |         |



| Pos  | Part Number    | Name                                | Remarks  | Qty | Model |
|------|----------------|-------------------------------------|----------|-----|-------|
|      |                | dashboard trim with retaining frame |          |     |       |
| 1    | 996 552 061 12 | retaining frame                     | /LL      | 1   |       |
| (1)  | 996 552 061 13 | retaining frame                     | /RL      | 1   |       |
| 2    | 996 552 805 00 | threaded plate                      |          | 4   |       |
| 3    | 996 552 545 00 | shim                                |          | 4   |       |
| 4    | 999 507 462 02 | speed nut                           |          | 9   |       |
| 4    | 999 591 855 02 | speed nut 4,8                       |          | 1   |       |
| (5)  | 996 552 309 07 | support                             | 01-      | 1   |       |
| (5)  | 996 552 309 08 | support                             | 01-      | 1   | M 476 |
| 6    | 900 378 155 09 | hexagon-head tapping screw M 6 X 16 |          | 6   |       |
| 7    | 999 507 574 02 | clamp 8 X 10/1,2                    |          | 4   |       |
| 11   | 996 552 109 00 | dashboard trim leatherette          | /LL -99  | 1   |       |
|      |                | A18 black                           |          |     |       |
|      |                | C18 graphite grey                   |          |     |       |
|      |                | S18 savanna                         |          |     |       |
|      |                | G18 metropole blue                  |          |     |       |
|      |                | B18 space grey                      |          |     |       |
| (11) | 996 552 110 00 | dashboard trim leatherette          | /RL -99  | 1   |       |
|      |                | A18 black                           |          |     |       |
|      |                | C18 graphite grey                   |          |     |       |
|      |                | S18 savanna                         |          |     |       |
|      |                | G18 metropole blue                  |          |     |       |
|      |                | B18 space grey                      |          |     |       |
| 11   | 996 552 109 00 | dashboard trim leatherette          | /LL00-01 | 1   |       |
|      |                | A12 black                           |          |     |       |

|       |      |    |    |              |              |        |       |            |         |     |         |
|-------|------|----|----|--------------|--------------|--------|-------|------------|---------|-----|---------|
| Model | Year | MG | SG | Illustration | Restrictions | Update | 11:39 | 25.11.2005 | PORSCHE | PET | PORSCHE |
| 996   | 05   | 8  | 09 | 809-00       |              | 194    |       |            |         |     |         |

| Pos  | Part Number    | Name                       | Remarks  | Qty | Model | Pos  | Part Number    | Name   | Remarks | Qty | Model |
|------|----------------|----------------------------|----------|-----|-------|------|----------------|--|---------|-----|-------|
|      | C52            | graphite grey              |          |     |       |      | C51            | graphite grey  |         |     |       |
|      | S32            | savanna                    |          |     |       |      | S31            | savanna  |         |     |       |
|      | G12            | metropole blue             |          |     |       |      | G11            | metropole blue   |         |     |       |
|      | B52            | space grey                 | 00       |     |       |      | B51            | space grey   | -00     |     |       |
|      | J32            | nephrite green             | -03      |     |       |      | J31            | nephrite green   |         |     |       |
| (11) | 996 552 110 00 | dashboard trim leatherette | /RL00-01 | 1   |       |      | M31            | boxster red  |         |     |       |
|      | A12            | black                      |          |     |       |      | D12            | dark grey/natural                                      | 00-     |     |       |
|      | C52            | graphite grey              |          |     |       |      | T12            | brown/natural  | 00-     |     |       |
|      | S32            | savanna                    |          |     |       |      | P12            | cinnamon brown   | 01      |     |       |
|      | G12            | metropole blue             |          |     |       | (11) | 996 552 102 00 | dashboard trim leather                                 | /RL -01 | 1   |       |
|      | B52            | space grey                 | 00       |     |       |      | A11            | black  | -99     |     |       |
|      | J32            | nephrite green             | -03      |     |       |      | EVL            | black  | 00-     |     |       |
| (11) | 996 552 109 02 | dashboard trim leatherette | /LL 02-  | 1   |       |      | C51            | graphite grey  |         |     |       |
|      | A12            | black                      |          |     |       |      | S31            | savanna  |         |     |       |
|      | C52            | graphite grey              |          |     |       |      | G11            | metropole blue   |         |     |       |
|      | S32            | savanna                    |          |     |       |      | B51            | space grey   | -00     |     |       |
|      | G12            | metropole blue             |          |     |       |      | J31            | nephrite green   |         |     |       |
|      | J32            | nephrite green             | -03      |     |       |      | M31            | boxster red  |         |     |       |
| (11) | 996 552 110 02 | dashboard trim leatherette | /RL 02-  | 1   |       |      | D12            | dark grey/natural                                      | 00-     |     |       |
|      | A12            | black                      |          |     |       |      | T12            | brown/natural  | 00-     |     |       |
|      | C52            | graphite grey              |          |     |       |      | P12            | cinnamon brown   | 01      |     |       |
|      | S32            | savanna                    |          |     |       | 11   | 996 552 101 01 | dashboard trim leather with cut-outs glove compartment | /LL 02- | 1   |       |
|      | G12            | metropole blue             |          |     |       |      | A11            | black  |         |     |       |
|      | J32            | nephrite green             | -03      |     |       |      | C51            | graphite grey  |         |     |       |
| 11   | 996 552 101 00 | dashboard trim leather     | /LL -01  | 1   |       |      | S31            | savanna  |         |     |       |
|      | A11            | black                      | -99      |     |       |      | G11            | metropole blue   |         |     |       |
|      | EVL            | black                      | 00-      |     |       |      | J31            | nephrite green   |         |     |       |

|       |      |    |    |              |              |        |       |            |         |     |         |
|-------|------|----|----|--------------|--------------|--------|-------|------------|---------|-----|---------|
| Model | Year | MG | SG | Illustration | Restrictions | Update | 11:39 | 25.11.2005 | PORSCHE | PET | PORSCHE |
| 996   | 05   | 8  | 09 | 809-00       |              | 194    |       |            |         |     |         |

| Pos  | Part Number    | Name   | Remarks | Qty | Model | Pos  | Part Number    | Name                                   | Remarks | Qty | Model |
|------|----------------|--|---------|-----|-------|------|----------------|--|---------|-----|-------|
|      | M31            | boxster red  |         |     |       | --   | 999 507 462 02 | speed nut<br>4,8                       | 02-     | 5   |       |
|      | D12            | dark grey  |         |     |       | --   | 999 507 796 02 | u-clamp<br>2,0                         | 02-     | 3   |       |
|      | T12            | brown/natural  |         |     |       | 12   | 996 552 381 02 | moulding<br>driver's side<br>lacquered | /LL/L   | 1   |       |
|      | P12            | cinnamon brown   |         |     |       |      | D05            | granite grey                           | -99     |     |       |
| (11) | 996 552 102 01 | dashboard trim<br>leather<br>with<br>cut-outs<br>glove compartment | /RL 02- | 1   |       |      | A03            | black                                  | 00-     |     |       |
|      | A11            | black  |         |     |       |      | C53            | graphite grey                          | 00-     |     |       |
|      | C51            | graphite grey  |         |     |       |      | S33            | savanna                                | 00-     |     |       |
|      | S31            | savanna  |         |     |       |      | G13            | metropole blue                         | 00-     |     |       |
|      | G11            | metropole blue   |         |     |       |      | B13            | space grey                             | 00      |     |       |
|      | J31            | nephrite green   |         |     |       |      | J33            | nephrite green                         | 00-     |     |       |
|      | M31            | boxster red  |         |     |       |      | M33            | boxster red                            | 00-     |     |       |
|      | D12            | dark grey  |         |     |       |      | P13            | cinnamon brown                         | 01-     |     |       |
|      | T12            | brown/natural  |         |     |       | (12) | 996 552 382 01 | moulding<br>driver's side<br>lacquered | /RL/R   | 1   |       |
|      | P12            | cinnamon brown   |         |     |       |      | D05            | granite grey                           | -99     |     |       |
| --   | 999 551 145 40 | lining strap<br>15 X 1,3 X 50                                      |         | 2   |       |      | A03            | black                                  | 00-     |     |       |
| --   | 999 507 768 02 | speed nut<br>4,2   |         | 18  |       |      | C53            | graphite grey                          | 00-     |     |       |
| --   | 999 507 533 02 | clamp<br>8 X 10/2,5  |         | 23  |       |      | S33            | savanna                                | 00-     |     |       |
| --   | 996 552 749 00 | reinforcement strip  | /LL 02- | 1   |       |      | G13            | metropole blue                         | 00-     |     |       |
| --   | 996 552 750 00 | reinforcement strip<br>driver's side                               | /RL 02- | 1   |       |      | B13            | space grey                             | 00      |     |       |
| --   | 996 552 753 00 | reinforcement strip  | /LL 02- | 1   | M 573 |      | J33            | nephrite green                         | 00-     |     |       |
| --   | 996 552 754 00 | reinforcement strip  | /RL 02- | 1   | M 573 |      | M33            | boxster red                            | 00-     |     |       |
| --   | 996 552 753 01 | reinforcement strip  | /LL 02- | 1   | M 574 | 12   | 996 552 381 04 | moulding<br>driver's side<br>lacquered | /LL/L04 | 1   | M 095 |
| --   | 996 552 754 01 | reinforcement strip<br>glove compartment                           | /RL 02- | 1   | M 574 |      | P13            | cinnamon brown                         | 01-     |     |       |
| --   | 999 073 169 07 | tapping screw<br>4,8 X 16  | 02-     | 2   |       |      | V03            | sport silver                           |         |     |       |



|       |      |    |    |              |              |        |       |            |         |     |         |
|-------|------|----|----|--------------|--------------|--------|-------|------------|---------|-----|---------|
| Model | Year | MG | SG | Illustration | Restrictions | Update | 11:39 | 25.11.2005 | PORSCHE | PET | PORSCHE |
| 996   | 05   | 8  | 09 | 809-00       |              | 194    |       |            |         |     |         |

| Pos  | Part Number    | Name                                  | Remarks  | Qty | Model | Pos  | Part Number    | Name   | Remarks  | Qty | Model |
|------|----------------|---------------------------------------|----------|-----|-------|------|----------------|--|----------|-----|-------|
| (12) | 996 552 382 03 | moulding driver's side lacquered      | /RL/R04  | 1   | M 095 | (12) | 996 552 997 04 | moulding driver's side rootwood light          | /RL/R01- | 1   | XNV   |
|      | V03            | sport silver                          |          |     |       |      |                |  |          |     |       |
| 12   | 996 552 996 00 | moulding driver's side leather        | /LL/L01- | 1   | XNU   | 12   | 996 552 996 05 | moulding driver's side rootwood dark           | /LL/L01- | 1   | XNW   |
|      | A11            | black                                 |          |     |       | (12) | 996 552 997 05 | moulding driver's side rootwood dark           | /RL/R01- | 1   | XNW   |
|      | C51            | graphite grey                         |          |     |       |      |                |  |          |     |       |
|      | S31            | savanna                               |          |     |       | 12   | 996 552 996 01 | moulding driver's side carbon                  | /LL/L01- | 1   | XNX   |
|      | G11            | metropole blue                        |          |     |       |      |                |  |          |     |       |
|      | J31            | nephrite green                        |          |     |       | (12) | 996 552 997 01 | moulding driver's side carbon                  | /RL/R01- | 1   | XNX   |
|      | M31            | boxster red                           |          |     |       |      |                |  |          |     |       |
|      | D12            | dark grey                             |          |     |       | 12   | 996 552 996 03 | moulding driver's side aluminium arctic silver | /LL/L01- | 1   | XNY   |
|      | T12            | brown/natural                         |          |     |       |      |                |  |          |     |       |
|      | P12            | cinnamon brown                        |          |     |       | (12) | 996 552 997 03 | moulding driver's side aluminium arctic silver | /RL/R01- | 1   | XNY   |
| (12) | 996 552 997 00 | moulding driver's side leather        | /RL/R01- | 1   | XNU   | 12   | 996 552 996 12 | moulding aluminium driver's side silver        | /LL/L03- | 1   | XCA   |
|      | A11            | black                                 |          |     |       |      |                |  |          |     |       |
|      | C51            | graphite grey                         |          |     |       | (12) | 996 552 997 12 | moulding aluminium driver's side silver        | /RL/R03- | 1   | XCA   |
|      | S31            | savanna                               |          |     |       |      |                |  |          |     |       |
|      | G11            | metropole blue                        |          |     |       | 13   | 996 552 383 02 | moulding centre lacquered                      | /LL      | 1   |       |
|      | J31            | nephrite green                        |          |     |       |      |                |  |          |     |       |
|      | M31            | boxster red                           |          |     |       |      |                |  |          |     |       |
|      | D12            | dark grey                             |          |     |       |      | D05            | granite grey                                   | -99      |     |       |
|      | T12            | brown/natural                         |          |     |       |      | A03            | black  | 00-      |     |       |
|      | P12            | cinnamon brown                        |          |     |       |      | C53            | graphite grey                                  | 00-      |     |       |
| 12   | 996 552 996 04 | moulding driver's side rootwood light | /LL/L01- | 1   | XNV   |      | S33            | savanna  | 00-      |     |       |
|      |                |                                       |          |     |       |      | G13            | metropole blue                                 | 00-      |     |       |
|      |                |                                       |          |     |       |      | B13            | space grey                                     | 00       |     |       |

|       |      |    |    |              |              |        |       |            |         |     |         |
|-------|------|----|----|--------------|--------------|--------|-------|------------|---------|-----|---------|
| Model | Year | MG | SG | Illustration | Restrictions | Update | 11:39 | 25.11.2005 | PORSCHE | PET | PORSCHE |
| 996   | 05   | 8  | 09 | 809-00       |              | 194    |       |            |         |     |         |

| Pos  | Part Number    | Name                            | Remarks | Qty | Model | Pos  | Part Number    | Name   | Remarks  | Qty | Model |
|------|----------------|---------------------------------|---------|-----|-------|------|----------------|--|----------|-----|-------|
|      | J33            | nephrite green                  | -03     |     |       |      | T12            | brown/natural                                    |          |     |       |
|      | M33            | boxster red                     | 00-     |     |       |      | P12            | cinnamon brown                                   |          |     |       |
|      | P13            | cinnamon brown                  | 01-     |     |       | (13) | 996 552 998 01 | moulding<br>centre<br>leather                    | /RL 01-  | 1   | XNU   |
| (13) | 996 552 384 01 | moulding<br>centre<br>lacquered | /RL     | 1   |       |      | A11            | black  |          |     |       |
|      | D05            | granite grey                    | -99     |     |       |      | C51            | graphite grey                                    |          |     |       |
|      | A03            | black                           | 00-     |     |       |      | S31            | savanna  |          |     |       |
|      | C53            | graphite grey                   | 00-     |     |       |      | G11            | metropole blue                                   |          |     |       |
|      | S33            | savanna                         | 00-     |     |       |      | J31            | nephrite green                                   |          |     |       |
|      | G13            | metropole blue                  | 00-     |     |       |      | M31            | boxster red                                      |          |     |       |
|      | B13            | space grey                      | 00      |     |       |      | D12            | dark grey  |          |     |       |
|      | J33            | nephrite green                  | -03     |     |       |      | T12            | brown/natural                                    |          |     |       |
|      | M33            | boxster red                     | 00-     |     |       |      | P12            | cinnamon brown                                   |          |     |       |
|      | P13            | cinnamon brown                  | 01-     |     |       | 13   | 996 552 998 08 | moulding<br>centre<br>rootwood<br>light          | /LL 01-  | 1   | XNV   |
| 13   | 996 552 383 03 | moulding<br>centre<br>lacquered | /LL 04  | 1   | M 095 | (13) | 996 552 998 09 | moulding<br>centre<br>rootwood<br>light          | /RL 01-  | 1   | XNV   |
|      | V03            | sport silver                    |         |     |       |      |                |  |          |     |       |
| (13) | 996 552 384 02 | moulding<br>centre<br>lacquered | /RL 04  | 1   | M 095 | 13   | 996 552 998 06 | moulding<br>centre<br>aluminium<br>arctic silver | /LL01-02 | 1   | XNY   |
|      | V03            | sport silver                    |         |     |       |      |                |  |          |     |       |
| 13   | 996 552 998 00 | moulding<br>centre<br>leather   | /LL 01- | 1   | XNU   | (13) | 996 552 998 07 | moulding<br>centre<br>aluminium<br>arctic silver | /RL01-02 | 1   | XNY   |
|      | A11            | black                           |         |     |       |      |                |  |          |     |       |
|      | C51            | graphite grey                   |         |     |       | 13   | 996 552 998 14 | moulding<br>aluminium<br>centre<br>silver        | /LL 03-  | 1   | XCA   |
|      | S31            | savanna                         |         |     |       |      |                |  |          |     |       |
|      | G11            | metropole blue                  |         |     |       | (13) | 996 552 998 15 | moulding<br>aluminium<br>centre<br>silver        | /RL 03-  | 1   | XCA   |
|      | J31            | nephrite green                  |         |     |       |      |                |  |          |     |       |
|      | M31            | boxster red                     |         |     |       |      |                |  |          |     |       |
|      | D12            | dark grey                       |         |     |       |      |                |  |          |     |       |

|       |      |    |    |              |              |        |       |            |         |     |         |
|-------|------|----|----|--------------|--------------|--------|-------|------------|---------|-----|---------|
| Model | Year | MG | SG | Illustration | Restrictions | Update | 11:39 | 25.11.2005 | PORSCHE | PET | PORSCHE |
| 996   | 05   | 8  | 09 | 809-00       |              | 194    |       |            |         |     |         |

| Pos  | Part Number    | Name                                      | Remarks  | Qty | Model | Pos  | Part Number    | Name                                      | Remarks  | Qty | Model |
|------|----------------|---|----------|-----|-------|------|----------------|---|----------|-----|-------|
| 13   | 996 552 998 10 | moulding<br>centre<br>rootwood<br>dark    | /LL 01-  | 1   | XNW   | 14   | 996 552 385 03 | moulding<br>passenger's side<br>lacquered | /LL/R01- | 1   |       |
| (13) | 996 552 998 11 | moulding<br>centre<br>rootwood<br>dark    | /RL 01-  | 1   | XNW   |      | A03            | black                                     |          |     |       |
|      |                |   |          |     |       |      | C53            | graphite grey                             |          |     |       |
|      |                |   |          |     |       |      | S33            | savanna                                   |          |     |       |
| 13   | 996 552 998 02 | moulding<br>centre<br>carbon              | /LL 01-  | 1   | XNX   |      | G13            | metropole blue                            |          |     |       |
| (13) | 996 552 998 03 | moulding<br>centre<br>carbon              | /RL 01-  | 1   | XNX   |      | J33            | nephrite green                            | -03      |     |       |
|      |                |   |          |     |       |      | M33            | boxster red                               |          |     |       |
|      |                |   |          |     |       |      | P13            | cinnamon brown                            |          |     |       |
| 14   | 996 552 385 02 | moulding<br>passenger's side<br>lacquered | /LL/R-00 | 1   |       | (14) | 996 552 386 03 | moulding<br>passenger's side<br>lacquered | /RL/L01- | 1   |       |
|      | D05            | granite grey                              | -99      |     |       |      | A03            | black                                     |          |     |       |
|      | A03            | black                                     | 00       |     |       |      | C53            | graphite grey                             |          |     |       |
|      | C53            | graphite grey                             | 00       |     |       |      | S33            | savanna                                   |          |     |       |
|      | S33            | savanna                                   | 00       |     |       |      | G13            | metropole blue                            |          |     |       |
|      | G13            | metropole blue                            | 00       |     |       |      | J33            | nephrite green                            | -03      |     |       |
|      | B13            | space grey                                | 00       |     |       |      | M33            | boxster red                               |          |     |       |
|      | J33            | nephrite green                            | 00       |     |       |      | P13            | cinnamon brown                            |          |     |       |
|      | M33            | boxster red                               | 00       |     |       | 14   | 996 552 385 04 | moulding<br>passenger's side<br>lacquered | /LL/L04  | 1   | M 095 |
| (14) | 996 552 386 02 | moulding<br>passenger's side<br>lacquered | /RL/L-00 | 1   |       |      | V03            | sport silver                              |          |     |       |
|      | D05            | granite grey                              | -99      |     |       | (14) | 996 552 386 04 | moulding<br>passenger's side<br>lacquered | /RL/R04  | 1   | M 095 |
|      | A03            | black                                     | 00       |     |       |      | V03            | sport silver                              |          |     |       |
|      | C53            | graphite grey                             | 00       |     |       | 14   | 996 552 959 00 | moulding<br>passenger's side<br>leather   | /LL/R01- | 1   | XNU   |
|      | S33            | savanna                                   | 00       |     |       |      | A11            | black                                     |          |     |       |
|      | G13            | metropole blue                            | 00       |     |       |      | C51            | graphite grey                             |          |     |       |
|      | B13            | space grey                                | 00       |     |       |      | S31            | savanna                                   |          |     |       |
|      | J33            | nephrite green                            | 00       |     |       |      |                |   |          |     |       |
|      | M33            | boxster red                               | 00       |     |       |      |                |   |          |     |       |

|       |      |    |    |              |              |        |       |            |         |     |         |
|-------|------|----|----|--------------|--------------|--------|-------|------------|---------|-----|---------|
| Model | Year | MG | SG | Illustration | Restrictions | Update | 11:39 | 25.11.2005 | PORSCHE | PET | PORSCHE |
| 996   | 05   | 8  | 09 | 809-00       |              | 194    |       |            |         |     |         |

| Pos  | Part Number    | Name  | Remarks  | Qty | Model | Pos  | Part Number    | Name   | Remarks  | Qty | Model |
|------|----------------|---|----------|-----|-------|------|----------------|--|----------|-----|-------|
|      | G11            | metropole blue                                    |          |     |       | (14) | 996 552 959 07 | moulding<br>passenger's side<br>carbon                     | /RL/L01- | 1   | XNX   |
|      | J31            | nephrite green                                    |          |     |       |      |                |  |          |     |       |
|      | M31            | boxster red                                       |          |     |       | 14   | 996 552 959 08 | moulding<br>passenger's side<br>aluminium<br>arctic silver | /LL/R-02 | 1   | XNY   |
|      | D12            | dark grey   |          |     |       |      |                |  |          |     |       |
|      | T12            | brown/natural                                     |          |     |       | (14) | 996 552 959 09 | moulding<br>passenger's side<br>aluminium<br>arctic silver | /RL/L-02 | 1   | XNY   |
|      | P12            | cinnamon brown                                    | 01-      |     |       |      |                |  |          |     |       |
| (14) | 996 552 959 01 | moulding<br>passenger's side<br>leather           | /RL/L01- | 1   | XNU   | 14   | 996 552 959 10 | moulding<br>aluminium<br>passenger's side<br>silver        | /LL 03-  | 1   | XCA   |
|      | A11            | black   |          |     |       |      |                |  |          |     |       |
|      | C51            | graphite grey                                     |          |     |       | (14) | 996 552 959 11 | moulding<br>aluminium<br>passenger's side<br>silver        | /RL/L03- | 1   | XCA   |
|      | S31            | savanna   |          |     |       |      |                |  |          |     |       |
|      | G11            | metropole blue                                    |          |     |       |      |                |  |          |     |       |
|      | J31            | nephrite green                                    |          |     |       | 15   | 999 919 203 07 | oval-head screw<br>3 X 10                                  |          | 11  |       |
|      | M31            | boxster red                                       |          |     |       | 16   | 996 552 645 00 | gasket<br>cowl   |          | 1   |       |
|      | D12            | dark grey   |          |     |       | 17   | 999 703 466 40 | cover<br>15,0 X 25,5                                       |          | 2   |       |
|      | T12            | brown/natural                                     |          |     |       | (17) | 999 703 466 40 | plug<br>15,0 X 5,0   |          | 2   |       |
|      | P12            | cinnamon brown                                    | 01-      |     |       |      |                |  |          |     |       |
| 14   | 996 552 959 02 | moulding<br>passenger's side<br>rootwood<br>light | /LL/R01- | 1   | XNV   | 18   | 999 074 057 09 | hexagon-head bolt<br>M 8 X 125                             |          | 4   |       |
| (14) | 996 552 959 03 | moulding<br>passenger's side<br>rootwood<br>light | /RL/L01- | 1   | XNV   | 19   | 999 073 169 07 | tapping screw<br>4,8 X 16                                  |          | 11  |       |
| 14   | 996 552 959 04 | moulding<br>passenger's side<br>rootwood<br>dark  | /LL/R01- | 1   | XNW   | 20   | 999 507 462 02 | speed nut<br>4,8   |          | 10  |       |
| (14) | 996 552 959 05 | moulding<br>passenger's side<br>rootwood<br>dark  | /RL/L01- | 1   | XNW   | 21   | 996 552 185 04 | defroster trim<br>lacquered                                | /L       | 1   |       |
| 14   | 996 552 959 06 | moulding<br>passenger's side<br>carbon            | /LL/R01- | 1   | XNX   |      | D05            | granite grey   | -99      |     |       |
|      |                |   |          |     |       |      | A03            | black  | 00-      |     |       |
|      |                |   |          |     |       |      | C53            | graphite grey  | 00-      |     |       |
|      |                |   |          |     |       |      | S33            | savanna  | 00-      |     |       |
|      |                |   |          |     |       |      | G13            | metropole blue   | 00-      |     |       |

|       |      |    |    |              |              |        |       |            |         |     |         |
|-------|------|----|----|--------------|--------------|--------|-------|------------|---------|-----|---------|
| Model | Year | MG | SG | Illustration | Restrictions | Update | 11:39 | 25.11.2005 | PORSCHE | PET | PORSCHE |
| 996   | 05   | 8  | 09 | 809-00       |              | 194    |       |            |         |     |         |

| Pos  | Part Number    | Name                     | Remarks | Qty | Model | Pos  | Part Number    | Name                          | Remarks | Qty | Model |
|------|----------------|--------------------------|---------|-----|-------|------|----------------|-------------------------------|---------|-----|-------|
|      | B13            | space grey               | 00      |     |       |      | J31            | nephrite green                |         |     |       |
|      | J33            | nephrite green           | 00-     |     |       |      | M31            | boxster red                   |         |     |       |
|      | M33            | boxster red              | 00-     |     |       |      | G11            | metropole blue                |         |     |       |
|      | P13            | cinnamon brown           | 01-     |     |       |      | D12            | dark grey                     |         |     |       |
| (21) | 996 552 186 04 | defroster trim lacquered | /R      | 1   |       |      | T12            | brown/natural                 |         |     |       |
|      | D05            | granite grey             | -99     |     |       |      | P12            | cinnamon brown                |         |     |       |
|      | A03            | black                    | 00-     |     |       | 21   | 996 552 988 04 | defroster trim carbon leather | /L 01-  | 1   | XXJ   |
|      | C53            | graphite grey            | 00-     |     |       |      | VRK            | black                         |         |     |       |
|      | S33            | savanna                  | 00-     |     |       |      | C51            | graphite grey                 |         |     |       |
|      | G13            | metropole blue           | 00-     |     |       |      | S31            | savanna                       |         |     |       |
|      | B13            | space grey               | 00      |     |       |      | J31            | nephrite green                |         |     |       |
|      | J33            | nephrite green           | 00-     |     |       |      | M31            | boxster red                   |         |     |       |
|      | M33            | boxster red              | 00-     |     |       |      | G11            | metropole blue                |         |     |       |
|      | P13            | cinnamon brown           | 01-     |     |       |      | D12            | dark grey                     |         |     |       |
| 21   | 996 552 988 05 | defroster trim leather   | /L 01-  | 1   | XV1   |      | T12            | brown/natural                 |         |     |       |
|      | VRK            | black                    |         |     |       |      | P12            | cinnamon brown                |         |     |       |
|      | C51            | graphite grey            |         |     |       | (21) | 996 552 989 04 | defroster trim carbon leather | /R 01-  | 1   | XXJ   |
|      | S31            | savanna                  |         |     |       |      | VRK            | black                         |         |     |       |
|      | J31            | nephrite green           |         |     |       |      | C51            | graphite grey                 |         |     |       |
|      | M31            | boxster red              |         |     |       |      | S31            | savanna                       |         |     |       |
|      | G11            | metropole blue           |         |     |       |      | J31            | nephrite green                |         |     |       |
|      | D12            | dark grey                |         |     |       |      | M31            | boxster red                   |         |     |       |
|      | T12            | brown/natural            |         |     |       |      | G11            | metropole blue                |         |     |       |
|      | P12            | cinnamon brown           |         |     |       |      | D12            | dark grey                     |         |     |       |
| (21) | 996 552 989 05 | defroster trim leather   | /R 01-  | 1   | XV1   |      | T12            | brown/natural                 |         |     |       |
|      | VRK            | black                    |         |     |       |      | P12            | cinnamon brown                |         |     |       |
|      | C51            | graphite grey            |         |     |       |      |                |                               |         |     |       |
|      | S31            | savanna                  |         |     |       | 22   | 999 507 531 02 | clamp 1,8-2,8                 | 98      | 2   |       |

|       |      |    |    |              |              |        |       |            |         |     |         |
|-------|------|----|----|--------------|--------------|--------|-------|------------|---------|-----|---------|
| Model | Year | MG | SG | Illustration | Restrictions | Update | 11:39 | 25.11.2005 | PORSCHE | PET | PORSCHE |
| 996   | 05   | 8  | 09 | 809-00       |              | 194    |       |            |         |     |         |

| Pos  | Part Number    | Name                                    | Remarks | Qty | Model | Pos  | Part Number    | Name                                | Remarks | Qty | Model |
|------|----------------|---|---------|-----|-------|------|----------------|-------------------------------------|---------|-----|-------|
| 22   | 999 507 685 02 | clamp<br>1,8-5,0                        | 99-     | 2   |       | 26   | 996 552 059 02 | cover<br>instruments                | /LL -99 | 1   |       |
| 23   | 996 552 181 04 | cover                                   |         | 1   |       |      | EFM            | black                               |         |     |       |
|      | D05            | granite grey                            | -99     |     |       |      | EFN            | graphite grey                       |         |     |       |
|      | A03            | black                                   | 00-     |     |       |      | EFO            | savanna                             |         |     |       |
|      | C53            | graphite grey                           | 00-     |     |       |      | EFP            | metropole blue                      |         |     |       |
|      | S33            | savanna                                 | 00-     |     |       |      | EFQ            | space grey                          |         |     |       |
|      | G13            | metropole blue                          | 00-     |     |       | (26) | 996 552 060 02 | cover<br>leatherette<br>instruments | /RL -99 | 1   |       |
|      | B13            | space grey                              | 00      |     |       |      | EFM            | black                               |         |     |       |
|      | J33            | nephrite green                          | 00-     |     |       |      | EFN            | graphite grey                       |         |     |       |
|      | M33            | boxster red                             | 00-     |     |       |      | EFO            | savanna                             |         |     |       |
|      | P13            | cinnamon brown                          | 01-     |     |       |      | EFP            | metropole blue                      |         |     |       |
| 23   | 996 552 990 02 | cover<br>light<br>leather               | 01-     | 1   | XV1   |      | EFQ            | space grey                          |         |     |       |
|      | VRK            | black                                   |         |     |       | 26   | 996 552 059 02 | cover<br>leatherette                | /LL 00- | 1   |       |
|      | C51            | graphite grey                           |         |     |       |      | EUD            | black                               |         |     |       |
|      | S31            | savanna                                 |         |     |       |      | EUE            | graphite grey                       |         |     |       |
|      | J31            | nephrite green                          |         |     |       |      | EUF            | savanna                             |         |     |       |
|      | M31            | boxster red                             |         |     |       |      | EUG            | metropole blue                      |         |     |       |
|      | G11            | metropole blue                          |         |     |       |      | EUH            | space grey                          | 00      |     |       |
|      | D12            | dark grey                               |         |     |       |      | EWB            | nephrite green                      | 01-     |     |       |
|      | T12            | brown/natural                           |         |     |       | (26) | 996 552 060 02 | cover<br>leatherette                | /RL 00- | 1   |       |
|      | P12            | cinnamon brown                          |         |     |       |      | EUD            | black                               |         |     |       |
| 24   | 996 552 617 03 | support                                 | /LL     | 1   |       |      | EUE            | graphite grey                       |         |     |       |
| (24) | 996 552 618 02 | support<br>instrument<br>wiring harness | /RL     | 1   |       |      | EUF            | savanna                             |         |     |       |
| --   | 999 591 883 02 | speed nut<br>4,8                        |         | 2   |       |      | EUG            | metropole blue                      |         |     |       |
| 25   | 900 380 015 09 | hexagon nut<br>M 6                      |         | 2   |       |      | EUH            | space grey                          | 00      |     |       |
|      |                |   |         |     |       |      | EWB            | nephrite green                      | 01-     |     |       |

|       |      |    |    |              |              |        |       |            |         |     |         |
|-------|------|----|----|--------------|--------------|--------|-------|------------|---------|-----|---------|
| Model | Year | MG | SG | Illustration | Restrictions | Update | 11:39 | 25.11.2005 | PORSCHE | PET | PORSCHE |
| 996   | 05   | 8  | 09 | 809-00       |              | 194    |       |            |         |     |         |

| Pos  | Part Number    | Name                      | Remarks | Qty | Model | Pos  | Part Number    | Name              | Remarks | Qty | Model |
|------|----------------|---------------------------|---------|-----|-------|------|----------------|-------------------|---------|-----|-------|
| 26   | 996 552 025 01 | cover instruments leather | /LL -99 | 1   |       | (26) | 996 552 026 01 | cover leather     | /RL -02 | 1   |       |
|      | EDQ            | black                     |         |     |       |      | ETQ            | black             |         |     |       |
|      | EDR            | graphite grey             |         |     |       |      | EUR            | graphite grey     |         |     |       |
|      | EDS            | savanna                   |         |     |       |      | EUS            | savanna           |         |     |       |
|      | EDT            | metropole blue            |         |     |       |      | EUT            | metropole blue    |         |     |       |
|      | EDU            | space grey                |         |     |       |      | EUU            | space grey        | 00      |     |       |
|      | EDV            | nephrite green            |         |     |       |      | EUV            | nephrite green    |         |     |       |
|      | EDW            | boxster red               |         |     |       |      | EUW            | boxster red       |         |     |       |
| (26) | 996 552 026 01 | cover instruments leather | /RL -99 | 1   |       |      | VRP            | dark grey         |         |     |       |
|      | EDQ            | black                     |         |     |       |      | VRQ            | brown/natural     |         |     |       |
|      | EDR            | graphite grey             |         |     |       |      | FEJ            | cinnamon brown    | 01-     |     |       |
|      | EDS            | savanna                   |         |     |       | 26   | 996 552 025 02 | cover instruments | /LL 03- | 1   |       |
|      | EDT            | metropole blue            |         |     |       |      | ETQ            | black             |         |     |       |
|      | EDU            | space grey                |         |     |       |      | EUR            | graphite grey     |         |     |       |
|      | EDV            | nephrite green            |         |     |       |      | EUS            | savanna           |         |     |       |
|      | EDW            | boxster red               |         |     |       |      | EUT            | metropole blue    |         |     |       |
| 26   | 996 552 025 01 | cover leather             | /LL -02 | 1   |       |      | EUV            | nephrite green    |         |     |       |
|      | ETQ            | black                     |         |     |       |      | EUW            | boxster red       |         |     |       |
|      | EUR            | graphite grey             |         |     |       |      | FEJ            | cinnamon brown    |         |     |       |
|      | EUS            | savanna                   |         |     |       |      | VRP            | dark grey/natural |         |     |       |
|      | EUT            | metropole blue            |         |     |       |      | VRQ            | brown/natural     |         |     |       |
|      | EUU            | space grey                | 00      |     |       | (26) | 996 552 026 02 | cover instruments | /RL 03- | 1   |       |
|      | EUV            | nephrite green            |         |     |       |      | ETQ            | black             |         |     |       |
|      | EUW            | boxster red               |         |     |       |      | EUR            | graphite grey     |         |     |       |
|      | VRP            | dark grey                 |         |     |       |      | EUS            | savanna           |         |     |       |
|      | VRQ            | brown/natural             |         |     |       |      | EUT            | metropole blue    |         |     |       |
|      | FEJ            | cinnamon brown            | 01-     |     |       |      | EUV            | nephrite green    |         |     |       |
|      |                |                           |         |     |       |      | EUW            | boxster red       |         |     |       |

|       |      |    |    |              |              |        |       |            |         |     |         |
|-------|------|----|----|--------------|--------------|--------|-------|------------|---------|-----|---------|
| Model | Year | MG | SG | Illustration | Restrictions | Update | 11:39 | 25.11.2005 | PORSCHE | PET | PORSCHE |
| 996   | 05   | 8  | 09 | 809-00       |              | 194    |       |            |         |     |         |

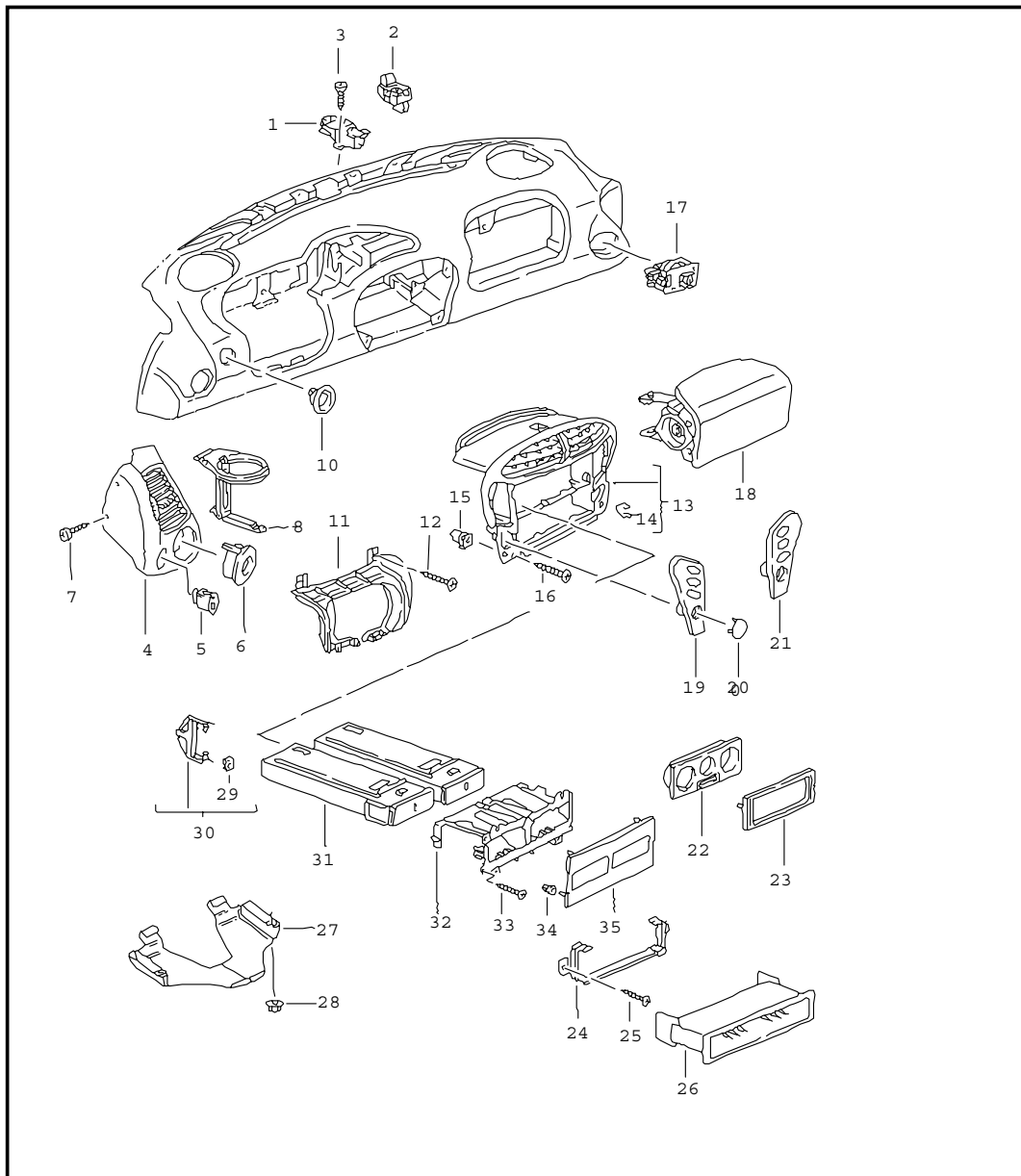
| Pos  | Part Number    | Name  | Remarks | Qty | Model | Pos  | Part Number    | Name  | Remarks | Qty | Model      |
|------|----------------|---|---------|-----|-------|------|----------------|---|---------|-----|------------|
|      | FEJ            | cinnamon brown                                |         |     |       |      | A10            | black   | -99     |     |            |
|      | VRP            | dark grey/natural                             |         |     |       |      | D05            | granite grey                                  | -99     |     |            |
|      | VRQ            | brown/natural                                 |         |     |       |      | A03            | black   |         |     |            |
| 28   | 999 919 188 09 | oval-head screw<br>5,0 X 30                   | -00     | 2   |       |      | C53            | graphite grey                                 | 00-     |     |            |
| (28) | 999 073 220 09 | tapping screw<br>4,8 X 25                     | 01-     | 2   |       |      | S33            | savanna                                       | 00-     |     |            |
| 29   | 996 552 625 02 | cover<br>microphone                           | /LL     | 1   |       |      | G13            | metropole blue                                | 00-     |     |            |
|      | D05            | granite grey                                  | -99     |     |       |      | B13            | space grey                                    | 00      |     |            |
|      | A03            | black   | 00-     |     |       |      | J33            | nephrite green                                | 00-     |     |            |
|      | C53            | graphite grey                                 | 00-     |     |       |      | M33            | boxster red                                   | 00-     |     |            |
|      | S33            | savanna                                       | 00-     |     |       |      | P13            | cinnamon brown                                | 01-     |     |            |
|      | G13            | metropole blue                                | 00-     |     |       | (30) | 996 552 470 01 | rose<br>hazard warning light sw.<br>lacquered | /RL     | 1   |            |
|      | B13            | space grey                                    | 00      |     |       |      | A10            | black   | -99     |     |            |
|      | J33            | nephrite green                                | 00-     |     |       |      | D05            | granite grey                                  | -99     |     |            |
|      | M33            | boxster red                                   | 00-     |     |       |      | A03            | black   |         |     |            |
|      | P13            | cinnamon brown                                | 01-     |     |       |      | C53            | graphite grey                                 | 00-     |     |            |
| (29) | 996 552 626 02 | cover<br>lacquered<br>microphone              | /RL     | 1   |       |      | S33            | savanna                                       | 00-     |     |            |
|      | D05            | granite grey                                  | -99     |     |       |      | G13            | metropole blue                                | 00-     |     |            |
|      | A03            | black   | 00-     |     |       |      | B13            | space grey                                    | 00      |     |            |
|      | C53            | graphite grey                                 | 00-     |     |       |      | J33            | nephrite green                                | 00-     |     |            |
|      | S33            | savanna                                       | 00-     |     |       |      | M33            | boxster red                                   | 00-     |     |            |
|      | G13            | metropole blue                                | 00-     |     |       |      | P13            | cinnamon brown                                | 01-     |     |            |
|      | B13            | space grey                                    | 00      |     |       | 30   | 996 552 469 01 | rose<br>hazard warning light sw.<br>lacquered | /LL     | 00  | 1 XNG/M094 |
|      | J33            | nephrite green                                | 00-     |     |       |      | A03            | black   |         |     |            |
|      | M33            | boxster red                                   | 00-     |     |       | (30) | 996 552 470 01 | rose<br>hazard warning light sw.<br>lacquered | /RL     | 00  | 1 XNG/M094 |
|      | P13            | cinnamon brown                                | 01-     |     |       |      | A03            | black   |         |     |            |
| 30   | 996 552 469 01 | rose<br>hazard warning light sw.<br>lacquered | /LL     | 1   |       |      |                |   |         |     |            |



|       |      |    |    |              |              |        |       |            |         |     |         |
|-------|------|----|----|--------------|--------------|--------|-------|------------|---------|-----|---------|
| Model | Year | MG | SG | Illustration | Restrictions | Update | 11:39 | 25.11.2005 | PORSCHE | PET | PORSCHE |
| 996   | 05   | 8  | 09 | 809-00       |              | 194    |       |            |         |     |         |

| Pos  | Part Number    | Name  | Remarks | Qty | Model | Pos | Part Number | Name | Remarks | Qty | Model |
|------|----------------|---|---------|-----|-------|-----|-------------|------|---------|-----|-------|
| 30   | 996 552 966 00 | rose<br>hazard warning light sw.<br>leather | /LL 01- | 1   |       |     |             |      |         |     |       |
|      | A11            | black                                       |         |     |       |     |             |      |         |     |       |
|      | C51            | graphite grey                               |         |     |       |     |             |      |         |     |       |
|      | S31            | savanna                                     |         |     |       |     |             |      |         |     |       |
|      | G11            | metropole blue                              |         |     |       |     |             |      |         |     |       |
|      | J31            | nephrite green                              | -03     |     |       |     |             |      |         |     |       |
|      | M31            | boxster red                                 |         |     |       |     |             |      |         |     |       |
|      | P12            | cinnamon brown                              |         |     |       |     |             |      |         |     |       |
|      | D12            | dark grey/natural                           |         |     |       |     |             |      |         |     |       |
|      | T12            | brown/natural                               |         |     |       |     |             |      |         |     |       |
| (30) | 996 552 966 01 | rose<br>hazard warning light sw.<br>leather | /RL 01- | 1   |       |     |             |      |         |     |       |
|      | A11            | black                                       |         |     |       |     |             |      |         |     |       |
|      | C51            | graphite grey                               |         |     |       |     |             |      |         |     |       |
|      | S31            | savanna                                     |         |     |       |     |             |      |         |     |       |
|      | G11            | metropole blue                              |         |     |       |     |             |      |         |     |       |
|      | J31            | nephrite green                              | -03     |     |       |     |             |      |         |     |       |
|      | M31            | boxster red                                 |         |     |       |     |             |      |         |     |       |
|      | P12            | cinnamon brown                              |         |     |       |     |             |      |         |     |       |
|      | D12            | dark grey/natural                           |         |     |       |     |             |      |         |     |       |
|      | T12            | brown/natural                               |         |     |       |     |             |      |         |     |       |
|      |                | - - - E N D - - -                           |         |     |       |     |             |      |         |     |       |

|       |      |    |    |              |              |        |       |            |         |     |         |
|-------|------|----|----|--------------|--------------|--------|-------|------------|---------|-----|---------|
| Model | Year | MG | SG | Illustration | Restrictions | Update | 11:39 | 25.11.2005 | PORSCHE | PET | PORSCHE |
| 996   | 05   | 8  | 09 | 809-01       |              | 194    |       |            |         |     |         |



| Pos | Part Number    | Name                          | Remarks | Qty | Model     |
|-----|----------------|-------------------------------|---------|-----|-----------|
|     |                | accessories<br>dashboard trim | -01     |     |           |
| 1   | 996 552 541 02 | mounting<br>light             |         | 1   |           |
| 2   | 996 653 251 00 | sensor                        |         | 1   | M 534/535 |
| 3   | 999 919 120 09 | oval-head screw<br>4,0 X 18   |         | 2   |           |
| 4   | 996 552 225 05 | side vent<br>lacquered        | /L      | 1   |           |
|     | D05            | granite grey                  | -99     |     |           |
|     | A03            | black                         | 00-     |     |           |
|     | C53            | graphite grey                 | 00-     |     |           |
|     | S33            | savanna                       | 00-     |     |           |
|     | G13            | metropole blue                | 00-     |     |           |
|     | B13            | space grey                    | 00      |     |           |
|     | J33            | nephrite green                | 00-     |     |           |
|     | M33            | boxster red                   | 00-     |     |           |
|     | P13            | cinnamon brown                | 01-     |     |           |
| (4) | 996 552 228 05 | side vent<br>lacquered        | /R      | 1   |           |
|     | D05            | granite grey                  | -99     |     |           |
|     | A03            | black                         | 00-     |     |           |
|     | C53            | graphite grey                 | 00-     |     |           |
|     | S33            | savanna                       | 00-     |     |           |
|     | G13            | metropole blue                | 00-     |     |           |
|     | B13            | space grey                    | 00      |     |           |
|     | J33            | nephrite green                | 00-     |     |           |
|     | M33            | boxster red                   | 00-     |     |           |
|     | P13            | cinnamon brown                | 01-     |     |           |
| 4   | 996 552 984 00 | side vent<br>leather          | /L 01-  | 1   | XN3       |
|     | VRK            | black                         |         |     |           |

|       |      |    |    |              |              |        |       |            |         |     |         |
|-------|------|----|----|--------------|--------------|--------|-------|------------|---------|-----|---------|
| Model | Year | MG | SG | Illustration | Restrictions | Update | 11:39 | 25.11.2005 | PORSCHE | PET | PORSCHE |
| 996   | 05   | 8  | 09 | 809-01       |              | 194    |       |            |         |     |         |

| Pos | Part Number    | Name                           | Remarks | Qty | Model | Pos | Part Number    | Name                                      | Remarks | Qty | Model |
|-----|----------------|--------------------------------|---------|-----|-------|-----|----------------|---|---------|-----|-------|
|     | C51            | graphite grey                  |         |     |       | (4) | 996 552 985 03 | side vent<br>carbon<br>leather            | /R 01-  | 1   | XKD   |
|     | S31            | savanna                        |         |     |       |     |                |   |         |     |       |
|     | G11            | metropole blue                 |         |     |       |     | VRK            | black                                     |         |     |       |
|     | J31            | nephrite green                 |         |     |       |     | C51            | graphite grey                             |         |     |       |
|     | M31            | boxster red                    |         |     |       |     | S31            | savanna                                   |         |     |       |
|     | D12            | dark grey                      |         |     |       |     | J31            | nephrite green                            |         |     |       |
|     | T12            | brown/natural                  |         |     |       |     | M31            | boxster red                               |         |     |       |
|     | P12            | cinnamon brown                 |         |     |       |     | G11            | metropole blue                            |         |     |       |
| (4) | 996 552 985 00 | side vent<br>leather           | /R 01-  | 1   | XN3   |     | D12            | dark grey                                 |         |     |       |
|     | VRK            | black                          |         |     |       |     | T12            | brown/natural                             |         |     |       |
|     | C51            | graphite grey                  |         |     |       |     | P12            | cinnamon brown                            |         |     |       |
|     | S31            | savanna                        |         |     |       | 4   | 996 552 984 01 | side vent<br>rootwood<br>light<br>leather | /L 01-  | 1   | XKB   |
|     | G11            | metropole blue                 |         |     |       |     | VRK            | black                                     |         |     |       |
|     | J31            | nephrite green                 |         |     |       |     | C51            | graphite grey                             |         |     |       |
|     | M31            | boxster red                    |         |     |       |     | S31            | savanna                                   |         |     |       |
|     | D12            | dark grey                      |         |     |       |     | J31            | nephrite green                            |         |     |       |
|     | T12            | brown/natural                  |         |     |       |     | M31            | boxster red                               |         |     |       |
|     | P12            | cinnamon brown                 |         |     |       |     | G11            | metropole blue                            |         |     |       |
| 4   | 996 552 984 03 | side vent<br>carbon<br>leather | /L 01-  | 1   | XKD   |     | D12            | dark grey                                 |         |     |       |
|     | VRK            | black                          |         |     |       |     | T12            | brown/natural                             |         |     |       |
|     | C51            | graphite grey                  |         |     |       |     | P12            | cinnamon brown                            |         |     |       |
|     | S31            | savanna                        |         |     |       | (4) | 996 552 985 01 | side vent<br>rootwood<br>light<br>leather | /R 01-  | 1   | XKB   |
|     | J31            | nephrite green                 |         |     |       |     | VRK            | black                                     |         |     |       |
|     | M31            | boxster red                    |         |     |       |     | C51            | graphite grey                             |         |     |       |
|     | G11            | metropole blue                 |         |     |       |     | S31            | savanna                                   |         |     |       |
|     | D12            | dark grey                      |         |     |       |     | J31            | nephrite green                            |         |     |       |
|     | T12            | brown/natural                  |         |     |       |     |                |   |         |     |       |
|     | P12            | cinnamon brown                 |         |     |       |     |                |   |         |     |       |

|       |      |    |    |              |              |        |       |            |         |     |         |
|-------|------|----|----|--------------|--------------|--------|-------|------------|---------|-----|---------|
| Model | Year | MG | SG | Illustration | Restrictions | Update | 11:39 | 25.11.2005 | PORSCHE | PET | PORSCHE |
| 996   | 05   | 8  | 09 | 809-01       |              | 194    |       |            |         |     |         |

| Pos | Part Number    | Name                                     | Remarks | Qty | Model | Pos | Part Number    | Name                                  | Remarks | Qty | Model |
|-----|----------------|--|---------|-----|-------|-----|----------------|---------------------------------------|---------|-----|-------|
|     | M31            | boxster red                              |         |     |       | 4   | 996 552 984 03 | side vent<br>carbon<br>leather        | /L 01-  | 1   | XKD   |
|     | G11            | metropole blue                           |         |     |       |     |                |                                       |         |     |       |
|     | D12            | dark grey                                |         |     |       |     | VRK            | black                                 |         |     |       |
|     | T12            | brown/natural                            |         |     |       |     | C51            | graphite grey                         |         |     |       |
|     | P12            | cinnamon brown                           |         |     |       |     | S31            | savanna                               |         |     |       |
| 4   | 996 552 984 02 | side vent<br>rootwood<br>dark<br>leather | /L 01-  | 1   | XKC   |     | J31            | nephrite green                        |         |     |       |
|     | VRK            | black                                    |         |     |       |     | M31            | boxster red                           |         |     |       |
|     | C51            | graphite grey                            |         |     |       |     | G11            | metropole blue                        |         |     |       |
|     | S31            | savanna                                  |         |     |       |     | D12            | dark grey                             |         |     |       |
|     | J31            | nephrite green                           |         |     |       |     | T12            | brown/natural                         |         |     |       |
|     | M31            | boxster red                              |         |     |       |     | P12            | cinnamon brown                        |         |     |       |
|     | G11            | metropole blue                           |         |     |       | (4) | 996 552 985 03 | side vent<br>carbon<br>leather        | /R 01-  | 1   | XKD   |
|     | D12            | dark grey                                |         |     |       |     |                |                                       |         |     |       |
|     | T12            | brown/natural                            |         |     |       |     | VRK            | black                                 |         |     |       |
|     | P12            | cinnamon brown                           |         |     |       |     | C51            | graphite grey                         |         |     |       |
| (4) | 996 552 985 02 | side vent<br>rootwood<br>dark<br>leather | /R 01-  | 1   | XKC   |     | S31            | savanna                               |         |     |       |
|     | VRK            | black                                    |         |     |       |     | J31            | nephrite green                        |         |     |       |
|     | C51            | graphite grey                            |         |     |       |     | M31            | boxster red                           |         |     |       |
|     | S31            | savanna                                  |         |     |       |     | G11            | metropole blue                        |         |     |       |
|     | J31            | nephrite green                           |         |     |       |     | D12            | dark grey                             |         |     |       |
|     | M31            | boxster red                              |         |     |       |     | T12            | brown/natural                         |         |     |       |
|     | G11            | metropole blue                           |         |     |       |     | P12            | cinnamon brown                        |         |     |       |
|     | D12            | dark grey                                |         |     |       | 4   | 996 552 984 05 | side vent<br>arctic silver<br>leather | /L 01-  | 1   | XKE   |
|     | T12            | brown/natural                            |         |     |       |     |                |                                       |         |     |       |
|     | P12            | cinnamon brown                           |         |     |       |     | VRK            | black                                 |         |     |       |
|     |                |  |         |     |       |     | C51            | graphite grey                         |         |     |       |
|     |                |  |         |     |       |     | S31            | savanna                               |         |     |       |
|     |                |  |         |     |       |     | J31            | nephrite green                        |         |     |       |
|     |                |  |         |     |       |     | M31            | boxster red                           |         |     |       |

|       |      |    |    |              |              |        |       |            |         |     |         |
|-------|------|----|----|--------------|--------------|--------|-------|------------|---------|-----|---------|
| Model | Year | MG | SG | Illustration | Restrictions | Update | 11:39 | 25.11.2005 | PORSCHE | PET | PORSCHE |
| 996   | 05   | 8  | 09 | 809-01       |              | 194    |       |            |         |     |         |

| Pos | Part Number    | Name   | Remarks | Qty | Model   | Pos | Part Number    | Name   | Remarks | Qty | Model |
|-----|----------------|--|---------|-----|---------|-----|----------------|--|---------|-----|-------|
|     | G11            | metropole blue                                   |         |     |         |     | C51            | graphite grey  |         |     |       |
|     | D12            | dark grey  |         |     |         |     | S31            | savanna  |         |     |       |
|     | T12            | brown/natural                                    |         |     |         |     | J31            | nephrite green   |         |     |       |
|     | P12            | cinnamon brown                                   |         |     |         |     | M31            | boxster red  |         |     |       |
| (4) | 996 552 985 05 | side vent<br>arctic silver<br>leather            | /R 01-  | 1   | XKE     |     | G11            | metropole blue   |         |     |       |
|     | VRK            | black  |         |     |         |     | D12            | dark grey  |         |     |       |
|     | C51            | graphite grey                                    |         |     |         |     | T12            | brown/natural  |         |     |       |
|     | S31            | savanna  |         |     |         | 5   | 996 552 986 01 | cover<br>headlight levelling system<br>rootwood<br>light | 01      | 2   | XKB   |
|     | J31            | nephrite green                                   |         |     |         |     |                |  |         |     |       |
|     | M31            | boxster red                                      |         |     |         | 5   | 996 552 986 02 | cover<br>headlight levelling system<br>rootwood<br>dark  | 01      | 2   | XKC   |
|     | G11            | metropole blue                                   |         |     |         |     |                |  |         |     |       |
|     | D12            | dark grey  |         |     |         | 5   | 996 552 986 03 | cover<br>headlight levelling system<br>carbon            | 01      | 2   | XKD   |
|     | T12            | brown/natural                                    |         |     |         |     |                |  |         |     |       |
|     | P12            | cinnamon brown                                   |         |     |         | 6   | 996 552 417 02 | rose<br>interior sensor<br>lacquered                     |         | 1   |       |
| 5   | 996 552 621 01 | cover<br>headlight levelling system<br>lacquered |         | 1   |         |     | D05            | granite grey   | -99     |     |       |
|     | D05            | granite grey                                     | -99     |     |         |     | A03            | black  | 00-     |     |       |
|     | A03            | black  | 00-     |     |         |     | C53            | graphite grey  | 00-     |     |       |
|     | C53            | graphite grey                                    | 00-     |     |         |     | S33            | savanna  | 00-     |     |       |
|     | S33            | savanna  | 00-     |     |         |     | G13            | metropole blue   | 00-     |     |       |
|     | G13            | metropole blue                                   | 00-     |     |         |     | B13            | space grey   | 00      |     |       |
|     | B13            | space grey                                       | 00      |     |         |     | J33            | nephrite green   | 00-     |     |       |
|     | J33            | nephrite green                                   | 00-     |     |         |     | M33            | boxster red  | 00-     |     |       |
|     | M33            | boxster red                                      | 00-     |     |         |     | P13            | cinnamon brown   | 01-     |     |       |
|     | P13            | cinnamon brown                                   | 01-     |     |         | 5   | 996 552 986 00 | cover<br>headlight levelling system<br>leather           | 01-     | 1   | XNH   |
| 5   | 996 552 986 00 | cover<br>headlight levelling system<br>leather   | 01-     | 1   | XNH/XN3 | 6   | 996 552 987 00 | rose<br>interior sensor<br>leather                       | 01-     | 1   | XNH   |
|     | A11            | black  |         |     |         |     | A11            | black  |         |     |       |

|       |      |    |    |              |              |        |       |            |         |     |         |
|-------|------|----|----|--------------|--------------|--------|-------|------------|---------|-----|---------|
| Model | Year | MG | SG | Illustration | Restrictions | Update | 11:39 | 25.11.2005 | PORSCHE | PET | PORSCHE |
| 996   | 05   | 8  | 09 | 809-01       |              | 194    |       |            |         |     |         |

| Pos  | Part Number    | Name                       | Remarks | Qty | Model | Pos  | Part Number    | Name                               | Remarks | Qty | Model |
|------|----------------|----------------------------|---------|-----|-------|------|----------------|------------------------------------|---------|-----|-------|
|      | C51            | graphite grey              |         |     |       |      | C53            | graphite grey                      | 00-     |     |       |
|      | S31            | savanna                    |         |     |       |      | S33            | savanna                            | 00-     |     |       |
|      | J31            | nephrite green             |         |     |       |      | G13            | metropole blue                     | 00-     |     |       |
|      | M31            | boxster red                |         |     |       |      | B13            | space grey                         | 00      |     |       |
|      | G11            | metropole blue             |         |     |       |      | J33            | nephrite green                     | 00-     |     |       |
|      | D12            | dark grey                  |         |     |       |      | M33            | boxster red                        | 00-     |     |       |
|      | T12            | brown/natural              |         |     |       |      | P13            | cinnamon brown                     | 01-     |     |       |
|      | P12            | cinnamon brown             |         |     |       | 10   | 996 552 980 00 | rose ignition starter lock leather | /LL 01- | 1   | M XJ4 |
| 7    | 999 919 120 09 | oval-head screw 4,0 X 18   | -00     | 4   |       |      | A11            | black                              |         |     |       |
| 7    | 999 073 218 09 | tapping screw 4,2 X 16     | 01-     | 4   |       |      | C51            | graphite grey                      |         |     |       |
| 8    | 986 552 183 00 | support                    | /L -99  | 1   |       |      | S31            | savanna                            |         |     |       |
|      | 01C            | satin black                |         |     |       |      | G11            | metropole blue                     |         |     |       |
| (8)  | 986 552 184 00 | support beverages          | /R -99  | 1   |       |      | J31            | nephrite green                     |         |     |       |
|      | 01C            | satin black                |         |     |       |      | M31            | boxster red                        |         |     |       |
| 10   | 996 552 235 03 | rose ignition starter lock | /LL     | 1   |       |      | P12            | cinnamon brown                     |         |     |       |
|      | D05            | granite grey               | -99     |     |       |      | D12            | dark grey/natural                  |         |     |       |
|      | A03            | black                      | 00-     |     |       | (10) | 996 552 980 01 | rose ignition starter lock leather | /RL 01- | 1   | M XJ4 |
|      | C53            | graphite grey              | 00-     |     |       |      | A11            | black                              |         |     |       |
|      | S33            | savanna                    | 00-     |     |       |      | C51            | graphite grey                      |         |     |       |
|      | G13            | metropole blue             | 00-     |     |       |      | S31            | savanna                            |         |     |       |
|      | B13            | space grey                 | 00      |     |       |      | G11            | metropole blue                     |         |     |       |
|      | J33            | nephrite green             | 00-     |     |       |      | J31            | nephrite green                     |         |     |       |
|      | M33            | boxster red                | 00-     |     |       |      | M31            | boxster red                        |         |     |       |
|      | P13            | cinnamon brown             | 01-     |     |       |      | P12            | cinnamon brown                     |         |     |       |
| (10) | 996 552 236 03 | rose ignition starter lock | /RL     | 1   |       |      | D12            | dark grey/natural                  |         |     |       |
|      | D05            | granite grey               | -99     |     |       |      | T12            | brown/natural                      |         |     |       |
|      | A03            | black                      | 00-     |     |       |      |                |                                    |         |     |       |

|       |      |    |    |              |              |        |       |            |         |     |         |
|-------|------|----|----|--------------|--------------|--------|-------|------------|---------|-----|---------|
| Model | Year | MG | SG | Illustration | Restrictions | Update | 11:39 | 25.11.2005 | PORSCHE | PET | PORSCHE |
| 996   | 05   | 8  | 09 | 809-01       |              | 194    |       |            |         |     |         |

| Pos  | Part Number    | Name                     | Remarks | Qty | Model | Pos  | Part Number    | Name                  | Remarks | Qty | Model     |
|------|----------------|--------------------------|---------|-----|-------|------|----------------|-----------------------|---------|-----|-----------|
| 11   | 996 552 271 03 | cover steering           |         | 1   |       | (13) | 996 552 131 05 | support frame         | 99-01   | 1   | M 662     |
|      | A03            | black                    |         |     |       |      | EJK            | granite grey          | 99      |     |           |
| 11   | 986 552 988 03 | cover steering leather   | 01-     | 1   | XNS   |      | A03            | black                 | 00-     |     |           |
|      | VRK            | black                    |         |     |       |      | C53            | graphite grey         | 00-     |     |           |
|      | S31            | savanna                  |         |     |       |      | S33            | savanna               | 00-     |     |           |
|      | G11            | metropole blue           |         |     |       |      | G13            | metropole blue        | 00-     |     |           |
|      | J31            | nephrite green           |         |     |       |      | B13            | space grey            | 00      |     |           |
|      | M31            | boxster red              |         |     |       |      | J33            | nephrite green        | 00-     |     |           |
|      | D12            | dark grey/natural        |         |     |       |      | M33            | boxster red           | 00-     |     |           |
|      | T12            | brown/natural            |         |     |       |      | P13            | cinnamon brown        | 01      |     |           |
|      | C51            | graphite grey            |         |     |       | (13) | 996 552 969 08 | support frame         | 01      | 1   | XNN       |
|      | P12            | cinnamon brown           |         |     |       |      | A11            | black                 |         |     |           |
| 12   | 999 919 123 09 | oval-head screw 5,0 X 20 |         | 8   |       |      | C51            | graphite grey         |         |     |           |
| 13   | 996 552 131 02 | support frame            | 98      | 1   |       |      | S31            | savanna               |         |     |           |
|      | EJK            | granite grey             |         |     |       |      | S31            | savanna               |         |     |           |
| (13) | 996 552 131 03 | support frame            | 98      | 1   | M 662 |      | G11            | metropole blue        |         |     |           |
|      | EJK            | granite grey             |         |     |       |      | J31            | nephrite green        |         |     |           |
| 13   | 996 552 131 04 | support frame            | 99-01   | 1   |       |      | M31            | boxster red           |         |     |           |
|      | EJK            | granite grey             | 99      |     |       |      | D12            | dark grey             |         |     |           |
|      | A03            | black                    | 00-     |     |       |      | T12            | brown/natural         |         |     |           |
|      | C53            | graphite grey            | 00-     |     |       |      | P12            | cinnamon brown        |         |     |           |
|      | S33            | savanna                  | 00-     |     |       | (13) | 996 552 969 09 | support frame leather | 01      | 1   | XNN:M 662 |
|      | G13            | metropole blue           | 00-     |     |       |      | A11            | black                 |         |     |           |
|      | B13            | space grey               | 00      |     |       |      | C51            | graphite grey         |         |     |           |
|      | J33            | nephrite green           | 00-     |     |       |      | S31            | savanna               |         |     |           |
|      | M33            | boxster red              | 00-     |     |       |      | S31            | savanna               |         |     |           |
|      | P13            | cinnamon brown           | 01      |     |       |      | G11            | metropole blue        |         |     |           |
|      |                |                          |         |     |       |      | J31            | nephrite green        |         |     |           |
|      |                |                          |         |     |       |      | M31            | boxster red           |         |     |           |

|       |      |    |    |              |              |        |       |            |         |     |         |
|-------|------|----|----|--------------|--------------|--------|-------|------------|---------|-----|---------|
| Model | Year | MG | SG | Illustration | Restrictions | Update | 11:39 | 25.11.2005 | PORSCHE | PET | PORSCHE |
| 996   | 05   | 8  | 09 | 809-01       |              | 194    |       |            |         |     |         |

| Pos  | Part Number    | Name | Remarks        | Qty | Model       | Pos  | Part Number    | Name | Remarks        | Qty | Model       |
|------|----------------|------|----------------|-----|-------------|------|----------------|------|----------------|-----|-------------|
| (13) | 996 552 969 10 | D12  | dark grey      | 01  | 1 XKR       | (13) | 996 552 969 13 | G13  | metropole blue | 01  | 1 XKS:M 662 |
|      |                | T12  | brown/natural  |     |             |      |                | J33  | nephrite green |     |             |
|      |                | P12  | cinnamon brown |     |             |      |                | M33  | boxster red    |     |             |
|      |                | 01C  | satin black    |     |             |      |                | D12  | dark grey      |     |             |
|      |                | C53  | graphite grey  |     |             |      |                | T12  | brown/natural  |     |             |
|      |                | S33  | savanna        |     |             |      |                | P13  | cinnamon brown |     |             |
|      |                | G13  | metropole blue |     |             |      |                | 01C  | satin black    |     |             |
|      |                | J33  | nephrite green |     |             |      |                | C53  | graphite grey  |     |             |
|      |                | M33  | boxster red    |     |             |      |                | S33  | savanna        |     |             |
|      |                | D12  | dark grey      |     |             |      |                | G13  | metropole blue |     |             |
| (13) | 996 552 969 11 | T12  | brown/natural  | 01  | 1 XKR:M 662 | (13) | 996 552 969 14 | J33  | nephrite green | 01  | 1 XNR       |
|      |                | P13  | cinnamon brown |     |             |      |                | M33  | boxster red    |     |             |
|      |                | 01C  | satin black    |     |             |      |                | D12  | dark grey      |     |             |
|      |                | C53  | graphite grey  |     |             |      |                | T12  | brown/natural  |     |             |
|      |                | S33  | savanna        |     |             |      |                | P13  | cinnamon brown |     |             |
|      |                | G13  | metropole blue |     |             |      |                | 01C  | satin black    |     |             |
|      |                | J33  | nephrite green |     |             |      |                | C53  | graphite grey  |     |             |
|      |                | M33  | boxster red    |     |             |      |                | S33  | savanna        |     |             |
|      |                | D12  | dark grey      |     |             |      |                | G13  | metropole blue |     |             |
|      |                | T12  | brown/natural  |     |             |      |                | J33  | nephrite green |     |             |
| (13) | 996 552 969 12 | P13  | cinnamon brown | 01  | 1 XKS       | (13) | 996 552 969 15 | M33  | boxster red    | 01  | 1 XNR:M 662 |
|      |                | 01C  | satin black    |     |             |      |                | D12  | dark grey      |     |             |
|      |                | C53  | graphite grey  |     |             |      |                | T12  | brown/natural  |     |             |
|      |                | S33  | savanna        |     |             |      |                | P13  | cinnamon brown |     |             |
|      |                |      |                |     |             |      |                | 01C  | satin black    |     |             |



|       |      |    |    |              |              |        |       |            |         |     |         |
|-------|------|----|----|--------------|--------------|--------|-------|------------|---------|-----|---------|
| Model | Year | MG | SG | Illustration | Restrictions | Update | 11:39 | 25.11.2005 | PORSCHE | PET | PORSCHE |
| 996   | 05   | 8  | 09 | 809-01       |              | 194    |       |            |         |     |         |

| Pos  | Part Number    | Name                           | Remarks | Qty | Model     | Pos | Part Number    | Name                                     | Remarks  | Qty | Model |
|------|----------------|--------------------------------|---------|-----|-----------|-----|----------------|--|----------|-----|-------|
|      | 01C            | satin black                    |         |     |           | 19  | 996 552 233 03 | trim for switch<br>upper part/lower part | /L 98    | 1   |       |
|      | C53            | graphite grey                  |         |     |           |     | D05            | granite grey/granite grey                |          |     |       |
|      | S33            | savanna                        |         |     |           |     | EFY            | granite grey/graphite grey               |          |     |       |
|      | G13            | metropole blue                 |         |     |           |     | EFZ            | granite grey/savanna                     |          |     |       |
|      | J33            | nephrite green                 |         |     |           |     | EJG            | granite grey/metrop. blue                |          |     |       |
|      | M33            | boxster red                    |         |     |           |     | EJH            | granite grey/space grey                  |          |     |       |
|      | D12            | dark grey                      | 00-     |     |           | 19  | 996 552 233 04 | trim for switch<br>upper part/lower part | /L 99-01 | 1   |       |
|      | T12            | brown/natural                  | 00-     |     |           |     | D05            | granite grey/granite grey                | 99       |     |       |
|      | P13            | cinnamon brown                 | 01      |     |           |     | EFY            | granite grey/graphite grey               | 99       |     |       |
| (13) | 996 552 969 16 | support frame<br>arctic silver | 01      | 1   | XKW       |     | EFZ            | granite grey/savanna                     | 99       |     |       |
|      | 92T            | arctic silver                  |         |     |           |     | EJG            | granite grey/metrop. blue                | 99       |     |       |
| (13) | 996 552 969 17 | support frame<br>arctic silver | 01      | 1   | XKW:M 662 |     | EJH            | granite grey/space grey                  | 99       |     |       |
|      | 92T            | arctic silver                  |         |     |           |     | A03            | black                                    | 00-      |     |       |
| 14   | 999 507 533 02 | clamp<br>8/2,5                 |         | 4   |           |     | C53            | graphite grey                            | 00-      |     |       |
| (15) | 999 920 015 40 | special nut<br>4,0 X 4,0 X 9   | -99     | 11  |           |     | S33            | savanna                                  | 00-      |     |       |
| 15   | 999 920 012 40 | special nut<br>5,0 X 3,5 X 8   |         | 4   |           |     | G13            | metropole blue                           | 00-      |     |       |
| (15) | 999 507 744 01 | speed nut<br>4,2               | -00     | 18  |           |     | B13            | space grey                               | 00       |     |       |
| (15) | 999 507 768 02 | speed nut<br>4,2               | 01      | 16  |           |     | J33            | nephrite green                           | 00-      |     |       |
| (15) | 999 507 767 02 | speed nut<br>4,2               | 01      | 2   |           | 19  | 996 552 967 04 | trim for switch<br>leather               | /L 01    | 1   | XNN   |
| 16   | 999 919 123 09 | oval-head screw<br>5,0 X 20    | -00     | 4   |           |     | A11            | black                                    |          |     |       |
| 16   | 999 073 218 09 | tapping screw<br>4,2 X 16      | 01      | 4   |           |     | C51            | graphite grey                            |          |     |       |
| 17   | 996 653 241 00 | interior sensor<br>side vent   |         | 1   | M 573     |     | S31            | savanna                                  |          |     |       |
| 18   | --- --- --- -- | see group<br>4/03/06           |         | 1   |           |     | G11            | metropole blue                           |          |     |       |
|      |                |                                |         |     |           |     | J31            | nephrite green                           |          |     |       |
|      |                |                                |         |     |           |     | M31            | boxster red                              |          |     |       |
|      |                |                                |         |     |           |     | D12            | dark grey                                |          |     |       |

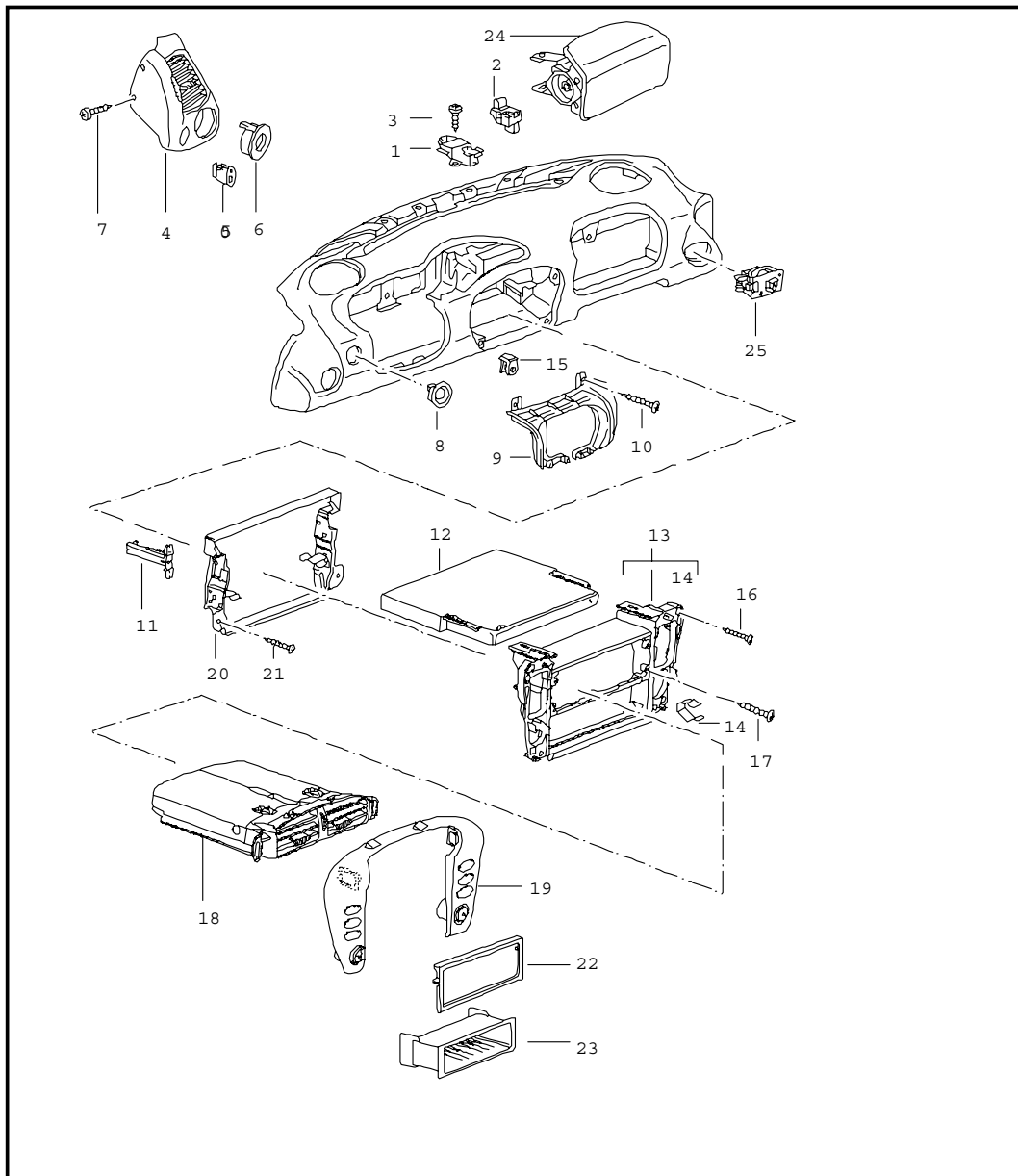
|       |      |    |    |              |              |        |       |            |         |     |         |
|-------|------|----|----|--------------|--------------|--------|-------|------------|---------|-----|---------|
| Model | Year | MG | SG | Illustration | Restrictions | Update | 11:39 | 25.11.2005 | PORSCHE | PET | PORSCHE |
| 996   | 05   | 8  | 09 | 809-01       |              | 194    |       |            |         |     |         |

| Pos | Part Number    | Name                                  | Remarks  | Qty | Model | Pos | Part Number    | Name                           | Remarks | Qty | Model          |
|-----|----------------|---------------------------------------|----------|-----|-------|-----|----------------|--------------------------------|---------|-----|----------------|
|     | T12            | brown/natural                         |          |     |       | 21  | 996 552 968 04 | trim for switch leather        | /R 01   | 1   | XNN            |
|     | P12            | cinnamon brown                        |          |     |       |     | A11            | black                          |         |     |                |
| 19  | 996 552 967 05 | trim for switch rootwood light        | /L 01    | 1   | XKR   |     | C51            | graphite grey                  |         |     |                |
| 19  | 996 552 967 06 | trim for switch rootwood dark         | /L 01    | 1   | XKS   |     | S31            | savanna                        |         |     |                |
| 19  | 996 552 967 07 | trim for switch carbon                | /L 01    | 1   | XNR   |     | G11            | metropole blue                 |         |     |                |
| 21  | 996 552 234 03 | trim for switch upper part/lower part | /R 98    | 1   |       |     | J31            | nephrite green                 |         |     |                |
|     | D05            | granite grey/granite grey             |          |     |       |     | M31            | boxster red                    |         |     |                |
|     | EFY            | granite grey/graphite grey            |          |     |       |     | D12            | dark grey                      |         |     |                |
|     | EFZ            | granite grey/savanna                  |          |     |       |     | T12            | brown/natural                  |         |     |                |
|     | EJG            | granite grey/metrop. blue             |          |     |       | 21  | 996 552 968 05 | trim for switch rootwood light | /R 01   | 1   | XKR            |
|     | EJH            | granite grey/space grey               |          |     |       | 21  | 996 552 968 06 | trim for switch rootwood dark  | /R 01   | 1   | XKS            |
| 21  | 996 552 234 04 | trim for switch upper part/lower part | /R 99-01 | 1   |       | 21  | 996 552 968 07 | trim for switch carbon         | /R 01   | 1   | XNR            |
|     | D05            | granite grey/granite grey             | 99       |     |       | 22  | 996 552 153 01 | support frame heating          | 01-     | 1   | M 574          |
|     | EFY            | granite grey/graphite grey            | 99       |     |       |     | 01C            | satin black                    |         |     |                |
|     | EFZ            | granite grey/savanna                  | 99       |     |       | 22  | 996 552 991 00 | support frame heating leather  |         | 1   | XKW/XNN+ M 574 |
|     | EJG            | granite grey/metrop. blue             | 99       |     |       |     | A11            | black                          |         |     |                |
|     | EJH            | granite grey/space grey               | 99       |     |       |     | C51            | graphite grey                  |         |     |                |
|     | A03            | black                                 |          |     |       |     | S31            | savanna                        |         |     |                |
|     | C53            | graphite grey                         | 00-      |     |       |     | J31            | nephrite green                 |         |     |                |
|     | S33            | savanna                               | 00-      |     |       |     | M31            | boxster red                    |         |     |                |
|     | G13            | metropole blue                        | 00-      |     |       |     | G11            | metropole blue                 |         |     |                |
|     | B13            | space grey                            | 00       |     |       |     | D12            | dark grey                      |         |     |                |
|     | J33            | nephrite green                        | 00-      |     |       |     | T12            | brown/natural                  |         |     |                |
|     | M33            | boxster red                           | 00-      |     |       |     | P12            | cinnamon brown                 |         |     |                |
|     | P13            | cinnamon brown                        | 01       |     |       |     |                |                                |         |     |                |

|       |      |    |    |              |              |        |       |            |         |     |         |
|-------|------|----|----|--------------|--------------|--------|-------|------------|---------|-----|---------|
| Model | Year | MG | SG | Illustration | Restrictions | Update | 11:39 | 25.11.2005 | PORSCHE | PET | PORSCHE |
| 996   | 05   | 8  | 09 | 809-01       |              | 194    |       |            |         |     |         |

| Pos  | Part Number    | Name                                | Remarks | Qty | Model | Pos  | Part Number    | Name                          | Remarks | Qty | Model |
|------|----------------|-------------------------------------|---------|-----|-------|------|----------------|-------------------------------|---------|-----|-------|
| 23   | 996 552 677 00 | frame<br>air-conditioning switch    |         | 1   |       |      | B50            | space grey                    | -99     |     |       |
|      | 01C            | satin black                         |         |     |       |      | C53            | graphite grey                 | 00-     |     |       |
| 24   | 996 552 673 02 | holder                              |         | 1   |       |      | S33            | savanna                       | 00-     |     |       |
| (24) | 996 552 653 01 | holder                              |         | 1   | M 662 |      | G13            | metropole blue                | 00-     |     |       |
| 25   | 999 919 123 09 | oval-head screw<br>5,0 X 20         | -00     | 2   |       |      | B13            | space grey                    | 00      |     |       |
| 25   | 999 073 218 09 | tapping screw<br>4,2 X 16           | 01-     | 2   |       |      | J33            | nephrite green                | 00-     |     |       |
| 26   | 996 552 253 01 | shelf<br>instead of<br>radio        |         | 1   |       |      | M33            | boxster red                   | 00-     |     |       |
|      | 01C            | satin black                         |         |     |       |      | P13            | cinnamon brown                | 01-     |     |       |
| 26   | 996 552 994 01 | shelf<br>leather                    | 01-     | 1   | XMF   | (28) | 999 591 712 40 | expansion rivet<br>6,0 X 12,0 |         | 2   |       |
|      | A11            | black                               |         |     |       |      |                | - - - E N D - - -             |         |     |       |
|      | C51            | graphite grey                       |         |     |       |      |                |                               |         |     |       |
|      | S31            | savanna                             |         |     |       |      |                |                               |         |     |       |
|      | J31            | nephrite green                      |         |     |       |      |                |                               |         |     |       |
|      | M31            | boxster red                         |         |     |       |      |                |                               |         |     |       |
|      | G11            | metropole blue                      |         |     |       |      |                |                               |         |     |       |
|      | D12            | dark grey                           |         |     |       |      |                |                               |         |     |       |
|      | T12            | brown/natural                       |         |     |       |      |                |                               |         |     |       |
|      | P12            | cinnamon brown                      |         |     |       |      |                |                               |         |     |       |
| 27   | 996 552 173 00 | shelf                               | -99     | 1   |       |      |                |                               |         |     |       |
|      | 01C            | satin black                         |         |     |       |      |                |                               |         |     |       |
| 27   | 996 552 173 01 | shelf<br>driver's side<br>lacquered |         | 1   |       |      |                |                               |         |     |       |
|      | A03            | black                               | 00-     |     |       |      |                |                               |         |     |       |
|      | S30            | savanna                             | -99     |     |       |      |                |                               |         |     |       |
|      | C50            | graphite grey                       | -99     |     |       |      |                |                               |         |     |       |
|      | G10            | metropole blue                      | -99     |     |       |      |                |                               |         |     |       |

|       |      |    |    |              |              |        |       |            |         |     |         |
|-------|------|----|----|--------------|--------------|--------|-------|------------|---------|-----|---------|
| Model | Year | MG | SG | Illustration | Restrictions | Update | 11:39 | 25.11.2005 | PORSCHE | PET | PORSCHE |
| 996   | 05   | 8  | 09 | 809-02       |              | 194    |       |            |         |     |         |



| Pos | Part Number    | Name                       | Remarks | Qty | Model     |
|-----|----------------|----------------------------|---------|-----|-----------|
| 1   | 996 552 541 02 | accessories dashboard trim | 02-     | 1   |           |
| 2   | 996 653 251 00 | mounting light             |         | 1   | M 534/535 |
| 3   | 999 919 120 09 | sensor                     |         | 2   |           |
| 3   | 999 919 120 09 | oval-head screw 4,0 X 18   |         | 2   |           |
| 4   | 996 552 225 06 | side vent lacquered        | /L      | 1   |           |
|     | A03            | black                      |         |     |           |
|     | C53            | graphite grey              |         |     |           |
|     | S33            | savanna                    |         |     |           |
|     | G13            | metropole blue             |         |     |           |
|     | J33            | nephrite green             |         |     |           |
|     | M33            | boxster red                |         |     |           |
|     | P13            | cinnamon brown             |         |     |           |
| (4) | 996 552 228 06 | side vent lacquered        | /R      | 1   |           |
|     | A03            | black                      |         |     |           |
|     | C53            | graphite grey              |         |     |           |
|     | S33            | savanna                    |         |     |           |
|     | G13            | metropole blue             |         |     |           |
|     | J33            | nephrite green             |         |     |           |
|     | M33            | boxster red                |         |     |           |
|     | P13            | cinnamon brown             |         |     |           |
| 4   | 996 552 984 00 | side vent leather          | /L      | 1   | XN3       |
|     | VRK            | black                      |         |     |           |
|     | C51            | graphite grey              |         |     |           |
|     | S31            | savanna                    |         |     |           |
|     | G11            | metropole blue             |         |     |           |
|     | J31            | nephrite green             |         |     |           |

|       |      |    |    |              |              |        |       |            |         |     |         |
|-------|------|----|----|--------------|--------------|--------|-------|------------|---------|-----|---------|
| Model | Year | MG | SG | Illustration | Restrictions | Update | 11:39 | 25.11.2005 | PORSCHE | PET | PORSCHE |
| 996   | 05   | 8  | 09 | 809-02       |              | 194    |       |            |         |     |         |

| Pos | Part Number    | Name                             | Remarks | Qty | Model | Pos | Part Number    | Name                            | Remarks | Qty | Model |
|-----|----------------|----------------------------------|---------|-----|-------|-----|----------------|---------------------------------|---------|-----|-------|
|     | M31            | boxster red                      |         |     |       |     | C51            | graphite grey                   |         |     |       |
|     | D12            | dark grey                        |         |     |       |     | S31            | savanna                         |         |     |       |
|     | T12            | brown/natural                    |         |     |       |     | J31            | nephrite green                  |         |     |       |
|     | P12            | cinnamon brown                   |         |     |       |     | M31            | boxster red                     |         |     |       |
| (4) | 996 552 985 00 | side vent leather                | /R      | 1   | XN3   |     | G11            | metropole blue                  |         |     |       |
|     | VRK            | black                            |         |     |       |     | D12            | dark grey                       |         |     |       |
|     | C51            | graphite grey                    |         |     |       |     | T12            | brown/natural                   |         |     |       |
|     | S31            | savanna                          |         |     |       |     | P12            | cinnamon brown                  |         |     |       |
|     | G11            | metropole blue                   |         |     |       | 4   | 996 552 984 02 | side vent rootwood dark leather | /L      | 1   | XKC   |
|     | J31            | nephrite green                   |         |     |       |     | VRK            | black                           |         |     |       |
|     | M31            | boxster red                      |         |     |       |     | C51            | graphite grey                   |         |     |       |
|     | D12            | dark grey                        |         |     |       |     | S31            | savanna                         |         |     |       |
|     | T12            | brown/natural                    |         |     |       |     | J31            | nephrite green                  |         |     |       |
|     | P12            | cinnamon brown                   |         |     |       |     | M31            | boxster red                     |         |     |       |
| 4   | 996 552 984 01 | side vent rootwood light leather | /L      | 1   | XKB   |     | G11            | metropole blue                  |         |     |       |
|     | VRK            | black                            |         |     |       |     | D12            | dark grey                       |         |     |       |
|     | C51            | graphite grey                    |         |     |       |     | T12            | brown/natural                   |         |     |       |
|     | S31            | savanna                          |         |     |       |     | P12            | cinnamon brown                  |         |     |       |
|     | J31            | nephrite green                   |         |     |       | (4) | 996 552 985 02 | side vent rootwood dark leather | /R      | 1   | XKC   |
|     | M31            | boxster red                      |         |     |       |     | VRK            | black                           |         |     |       |
|     | G11            | metropole blue                   |         |     |       |     | C51            | graphite grey                   |         |     |       |
|     | D12            | dark grey                        |         |     |       |     | S31            | savanna                         |         |     |       |
|     | T12            | brown/natural                    |         |     |       |     | J31            | nephrite green                  |         |     |       |
|     | P12            | cinnamon brown                   |         |     |       |     | M31            | boxster red                     |         |     |       |
| (4) | 996 552 985 01 | side vent rootwood light leather | /R      | 1   | XKB   |     | G11            | metropole blue                  |         |     |       |
|     | VRK            | black                            |         |     |       |     | D12            | dark grey                       |         |     |       |

|       |      |    |    |              |              |        |       |            |         |     |         |
|-------|------|----|----|--------------|--------------|--------|-------|------------|---------|-----|---------|
| Model | Year | MG | SG | Illustration | Restrictions | Update | 11:39 | 25.11.2005 | PORSCHE | PET | PORSCHE |
| 996   | 05   | 8  | 09 | 809-02       |              | 194    |       |            |         |     |         |

| Pos | Part Number    | Name                            | Remarks | Qty | Model | Pos | Part Number           | Name                             | Remarks | Qty | Model |
|-----|----------------|---------------------------------|---------|-----|-------|-----|-----------------------|----------------------------------|---------|-----|-------|
|     |                | T12 brown/natural               |         |     |       |     |                       | J31 nephrite green               |         |     |       |
|     |                | P12 cinnamon brown              |         |     |       |     |                       | M31 boxster red                  |         |     |       |
| 4   | 996 552 984 03 | side vent carbon leather        | /L      | 1   | XKD   |     | G11 metropole blue    |                                  |         |     |       |
|     |                | VRK black                       |         |     |       |     | D12 dark grey         |                                  |         |     |       |
|     |                | C51 graphite grey               |         |     |       |     | T12 brown/natural     |                                  |         |     |       |
|     |                | S31 savanna                     |         |     |       | (4) | P12 cinnamon brown    |                                  |         |     |       |
|     |                | J31 nephrite green              |         |     |       |     | 996 552 985 05        | side vent arctic silver leather  | /R      | 1   | XKE   |
|     |                | M31 boxster red                 |         |     |       |     | VRK black             |                                  |         |     |       |
|     |                | G11 metropole blue              |         |     |       |     | C51 graphite grey     |                                  |         |     |       |
|     |                | D12 dark grey                   |         |     |       |     | S31 savanna           |                                  |         |     |       |
|     |                | T12 brown/natural               |         |     |       |     | J31 nephrite green    |                                  |         |     |       |
| (4) | 996 552 985 03 | side vent carbon leather        | /R      | 1   | XKD   |     | M31 boxster red       |                                  |         |     |       |
|     |                | VRK black                       |         |     |       |     | G11 metropole blue    |                                  |         |     |       |
|     |                | C51 graphite grey               |         |     |       |     | D12 dark grey         |                                  |         |     |       |
|     |                | S31 savanna                     |         |     |       |     | T12 brown/natural     |                                  |         |     |       |
|     |                | J31 nephrite green              |         |     |       | 4   | P12 cinnamon brown    |                                  |         |     |       |
|     |                | M31 boxster red                 |         |     |       |     | 996 552 984 07        | side vent aluminium look leather | /L 03-  | 1   | XCC   |
|     |                | G11 metropole blue              |         |     |       |     | VRK black             |                                  |         |     |       |
|     |                | D12 dark grey                   |         |     |       |     | C51 graphite grey     |                                  |         |     |       |
|     |                | T12 brown/natural               |         |     |       |     | S31 savanna           |                                  |         |     |       |
|     |                | P12 cinnamon brown              |         |     |       |     | G11 metropole blue    |                                  |         |     |       |
| 4   | 996 552 984 05 | side vent arctic silver leather | /L      | 1   | XKE   |     | J31 nephrite green    |                                  |         |     |       |
|     |                | VRK black                       |         |     |       |     | M31 boxster red       |                                  |         |     |       |
|     |                | C51 graphite grey               |         |     |       |     | P12 cinnamon brown    |                                  |         |     |       |
|     |                | S31 savanna                     |         |     |       |     | D12 dark grey/natural |                                  |         |     |       |
|     |                |                                 |         |     |       |     | T12 brown/natural     |                                  |         |     |       |

|       |      |    |    |              |              |        |       |            |         |     |         |
|-------|------|----|----|--------------|--------------|--------|-------|------------|---------|-----|---------|
| Model | Year | MG | SG | Illustration | Restrictions | Update | 11:39 | 25.11.2005 | PORSCHE | PET | PORSCHE |
| 996   | 05   | 8  | 09 | 809-02       |              | 194    |       |            |         |     |         |

| Pos | Part Number    | Name   | Remarks | Qty | Model | Pos | Part Number    | Name   | Remarks | Qty | Model |
|-----|----------------|--|---------|-----|-------|-----|----------------|--|---------|-----|-------|
| (4) | 996 552 985 07 | side vent<br>aluminium look<br>leather           | /R 03-  | 1   | XCC   |     | T12            | brown/natural  |         |     |       |
|     | VRK            | black  |         |     |       |     | P12            | cinnamon brown   |         |     |       |
|     | C51            | graphite grey                                    |         |     |       | 5   | 996 552 986 01 | cover<br>headlight levelling system<br>rootwood<br>light |         | 2   | XKB   |
|     | S31            | savanna  |         |     |       | 5   | 996 552 986 02 | cover<br>headlight levelling system<br>rootwood<br>dark  |         | 2   | XKC   |
|     | G11            | metropole blue                                   |         |     |       | 5   | 996 552 986 03 | cover<br>headlight levelling system<br>carbon            |         | 2   | XKD   |
|     | J31            | nephrite green                                   |         |     |       | 6   | 996 552 417 02 | rose<br>interior sensor<br>lacquered                     |         | 1   |       |
|     | M31            | boxster red                                      |         |     |       |     | A03            | black  |         |     |       |
|     | P12            | cinnamon brown                                   |         |     |       |     | C53            | graphite grey  |         |     |       |
|     | D12            | dark grey/natural                                |         |     |       |     | S33            | savanna  |         |     |       |
|     | T12            | brown/natural                                    |         |     |       |     | G13            | metropole blue   |         |     |       |
| 5   | 996 552 621 01 | cover<br>headlight levelling system<br>lacquered |         | 1   |       |     | J33            | nephrite green   |         |     |       |
|     | A03            | black  |         |     |       |     | M33            | boxster red  |         |     |       |
|     | C53            | graphite grey                                    |         |     |       |     | P13            | cinnamon brown   |         |     |       |
|     | S33            | savanna  |         |     |       | 6   | 996 552 987 00 | rose<br>interior sensor<br>leather                       |         | 1   | XNH   |
|     | G13            | metropole blue                                   |         |     |       |     | A11            | black  |         |     |       |
|     | J33            | nephrite green                                   |         |     |       |     | C51            | graphite grey  |         |     |       |
|     | M33            | boxster red                                      |         |     |       |     | S31            | savanna  |         |     |       |
|     | P13            | cinnamon brown                                   |         |     |       |     | J31            | nephrite green   |         |     |       |
| 5   | 996 552 986 00 | cover<br>headlight levelling system<br>leather   |         | 1   | XNH   |     | M31            | boxster red  |         |     |       |
|     | A11            | black  |         |     |       |     | G11            | metropole blue   |         |     |       |
|     | C51            | graphite grey                                    |         |     |       |     | D12            | dark grey  |         |     |       |
|     | S31            | savanna  |         |     |       |     | T12            | brown/natural  |         |     |       |
|     | J31            | nephrite green                                   |         |     |       |     | P12            | cinnamon brown   |         |     |       |
|     | M31            | boxster red                                      |         |     |       |     |                |  |         |     |       |
|     | G11            | metropole blue                                   |         |     |       |     |                |  |         |     |       |
|     | D12            | dark grey  |         |     |       |     |                |  |         |     |       |

|       |      |    |    |              |              |        |       |            |         |     |         |
|-------|------|----|----|--------------|--------------|--------|-------|------------|---------|-----|---------|
| Model | Year | MG | SG | Illustration | Restrictions | Update | 11:39 | 25.11.2005 | PORSCHE | PET | PORSCHE |
| 996   | 05   | 8  | 09 | 809-02       |              | 194    |       |            |         |     |         |

| Pos | Part Number    | Name                                     | Remarks | Qty | Model | Pos | Part Number    | Name                                     | Remarks | Qty | Model |
|-----|----------------|--|---------|-----|-------|-----|----------------|--|---------|-----|-------|
| 7   | 999 073 218 09 | tapping screw<br>4,2 X 16                |         | 4   |       | (8) | 996 552 980 01 | rose<br>ignition starter lock<br>leather | /RL     | 1   | M XJ4 |
| 8   | 996 552 235 03 | rose<br>ignition starter lock            | /LL     | 1   |       |     | A11            | black                                    |         |     |       |
|     | A03            | black                                    |         |     |       |     | C51            | graphite grey                            |         |     |       |
|     | C53            | graphite grey                            |         |     |       |     | S31            | savanna                                  |         |     |       |
|     | S33            | savanna                                  |         |     |       |     | G11            | metropole blue                           |         |     |       |
|     | G13            | metropole blue                           |         |     |       |     | J31            | nephrite green                           |         |     |       |
|     | J33            | nephrite green                           |         |     |       |     | M31            | boxster red                              |         |     |       |
|     | M33            | boxster red                              |         |     |       |     | P12            | cinnamon brown                           |         |     |       |
|     | P13            | cinnamon brown                           |         |     |       |     | D12            | dark grey/natural                        |         |     |       |
| (8) | 996 552 236 03 | rose<br>ignition starter lock            | /RL     | 1   |       |     | T12            | brown/natural                            |         |     |       |
|     | A03            | black                                    |         |     |       | 9   | 996 552 271 03 | cover<br>steering                        |         | 1   |       |
|     | C53            | graphite grey                            |         |     |       |     | A03            | black                                    |         |     |       |
|     | S33            | savanna                                  |         |     |       | 9   | 986 552 988 03 | cover<br>steering<br>leather             |         | 1   | XNS   |
|     | G13            | metropole blue                           |         |     |       |     | VRK            | black                                    |         |     |       |
|     | J33            | nephrite green                           |         |     |       |     | S31            | savanna                                  |         |     |       |
|     | M33            | boxster red                              |         |     |       |     | G11            | metropole blue                           |         |     |       |
|     | P13            | cinnamon brown                           |         |     |       |     | J31            | nephrite green                           |         |     |       |
| 8   | 996 552 980 00 | rose<br>ignition starter lock<br>leather | /LL     | 1   | M XJ4 |     | M31            | boxster red                              |         |     |       |
|     | A11            | black                                    |         |     |       |     | D12            | dark grey/natural                        |         |     |       |
|     | C51            | graphite grey                            |         |     |       |     | T12            | brown/natural                            |         |     |       |
|     | S31            | savanna                                  |         |     |       |     | C51            | graphite grey                            |         |     |       |
|     | G11            | metropole blue                           |         |     |       |     | P12            | cinnamon brown                           |         |     |       |
|     | J31            | nephrite green                           |         |     |       | 10  | 999 919 123 09 | oval-head screw<br>5,0 X 20              |         | 8   |       |
|     | M31            | boxster red                              |         |     |       | 11  | 996 573 501 00 | adapter                                  |         | 2   |       |
|     | P12            | cinnamon brown                           |         |     |       | 12  | 996 552 183 00 | support<br>beverages                     | /LL     | 1   |       |
|     | D12            | dark grey/natural                        |         |     |       |     | 01C            | satin black                              |         |     |       |
|     | T12            | brown/natural                            |         |     |       |     |                |  |         |     |       |



|       |      |    |    |              |              |        |       |            |         |     |         |
|-------|------|----|----|--------------|--------------|--------|-------|------------|---------|-----|---------|
| Model | Year | MG | SG | Illustration | Restrictions | Update | 11:39 | 25.11.2005 | PORSCHE | PET | PORSCHE |
| 996   | 05   | 8  | 09 | 809-02       |              | 194    |       |            |         |     |         |

| Pos  | Part Number    | Name                      | Remarks | Qty | Model       | Pos  | Part Number    | Name                  | Remarks | Qty | Model     |
|------|----------------|---------------------------|---------|-----|-------------|------|----------------|-----------------------|---------|-----|-----------|
| (12) | 996 552 184 00 | support beverages         | /RL     | 1   |             |      | 01C            | satin black           |         |     |           |
|      | 01C            | satin black               |         |     |             | 13   | 996 552 969 25 | support frame leather |         | 1   | XNN       |
| 12   | 996 552 958 00 | support beverages leather | /LL     | 1   | XNN/XKS/XKR |      | A11            | black                 |         |     |           |
|      | A11            | black                     |         |     |             |      | C51            | graphite grey         |         |     |           |
|      | C51            | graphite grey             |         |     |             |      | S31            | savanna               |         |     |           |
|      | S31            | savanna                   |         |     |             |      | G11            | metropole blue        |         |     |           |
|      | G11            | metropole blue            |         |     |             |      | J31            | nephrite green        | -03     |     |           |
|      | J31            | nephrite green            |         |     |             |      | M31            | boxster red           |         |     |           |
|      | M31            | boxster red               |         |     |             |      | D12            | dark grey             |         |     |           |
|      | P12            | cinnamon brown            |         |     |             |      | T12            | brown/natural         |         |     |           |
|      | D12            | dark grey/natural         |         |     |             | (13) | 996 552 969 27 | support frame leather | 02      | 1   | XNN+M 662 |
|      | T12            | brown/natural             |         |     |             |      | A11            | black                 |         |     |           |
| (12) | 996 552 958 01 | support beverages leather | /RL     | 1   | XNN/XKS/XKR |      | C51            | graphite grey         |         |     |           |
|      | A11            | black                     |         |     |             |      | S31            | savanna               |         |     |           |
|      | C51            | graphite grey             |         |     |             |      | G11            | metropole blue        |         |     |           |
|      | S31            | savanna                   |         |     |             |      | J31            | nephrite green        | -03     |     |           |
|      | G11            | metropole blue            |         |     |             |      | M31            | boxster red           |         |     |           |
|      | J31            | nephrite green            |         |     |             |      | D12            | dark grey             |         |     |           |
|      | M31            | boxster red               |         |     |             |      | T12            | brown/natural         |         |     |           |
|      | P12            | cinnamon brown            |         |     |             | (13) | 996 552 969 26 | support frame leather | 03-     | 1   | XNN+M 665 |
|      | D12            | dark grey/natural         |         |     |             |      | A11            | black                 |         |     |           |
|      | T12            | brown/natural             |         |     |             |      | C51            | graphite grey         |         |     |           |
| 13   | 996 552 231 11 | support frame             |         | 1   |             |      | S31            | savanna               |         |     |           |
|      | 01C            | satin black               |         |     |             |      | G11            | metropole blue        |         |     |           |
| (13) | 996 552 231 13 | support frame             | 02      | 1   | M 662       |      | J31            | nephrite green        | -03     |     |           |
|      | 01C            | satin black               |         |     |             |      | M31            | boxster red           |         |     |           |
| (13) | 996 552 231 12 | support frame             | 03-     | 1   | M 665       |      |                |                       |         |     |           |

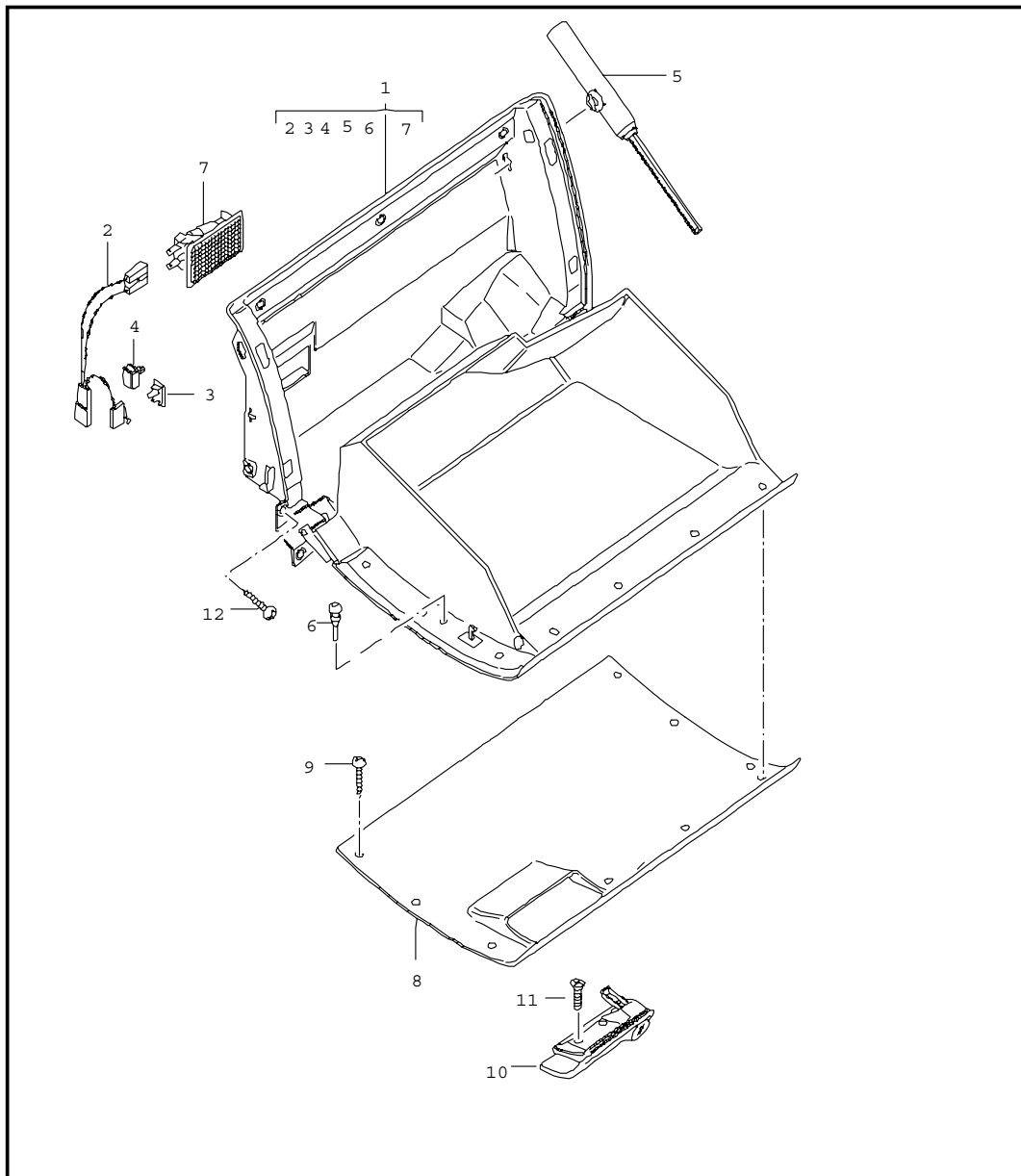
|       |      |    |    |              |              |        |       |            |         |     |         |
|-------|------|----|----|--------------|--------------|--------|-------|------------|---------|-----|---------|
| Model | Year | MG | SG | Illustration | Restrictions | Update | 11:39 | 25.11.2005 | PORSCHE | PET | PORSCHE |
| 996   | 05   | 8  | 09 | 809-02       |              | 194    |       |            |         |     |         |

| Pos  | Part Number    | Name                            | Remarks | Qty | Model        | Pos | Part Number    | Name                                 | Remarks | Qty | Model |
|------|----------------|---------------------------------|---------|-----|--------------|-----|----------------|--------------------------------------|---------|-----|-------|
|      | D12            | dark grey                       |         |     |              |     | M31            | boxster red                          |         |     |       |
|      | T12            | brown/natural                   |         |     |              |     | P12            | cinnamon brown                       |         |     |       |
|      | P12            | cinnamon brown                  |         |     |              |     | D12            | dark grey/natural                    |         |     |       |
| 15   | 999 507 768 02 | speed nut<br>4,2                |         | 16  |              |     | T12            | brown/natural                        |         |     |       |
| (15) | 999 507 767 02 | speed nut<br>4,2                | 01-     | 2   |              | 19  | 996 552 233 06 | trim for switch<br>lacquered         |         | 1   |       |
| 16   | 999 073 218 09 | tapping screw<br>4,2 X 16       |         | 4   |              |     | A03            | black                                |         |     |       |
| 17   | 900 143 076 09 | tapping screw<br>4,2 X 25       |         | 2   | M 573        |     | C53            | graphite grey                        |         |     |       |
| 18   | 996 552 263 01 | centre nozzle                   |         | 1   |              |     | S33            | savanna                              |         |     |       |
|      | 01C            | satin black                     |         |     |              |     | G13            | metropole blue                       |         |     |       |
| --   | 999 507 770 09 | clamp<br>2,5                    |         | 2   |              |     | J33            | nephrite green                       | -03     |     |       |
| 18   | 996 552 950 00 | centre nozzle<br>leather        | XNR     | 1   | XKR/XKS/XNN/ | 19  | 996 552 967 08 | trim for switch<br>leather           |         | 1   | XNN   |
|      | A11            | black                           |         |     |              |     | A11            | black                                |         |     |       |
|      | C51            | graphite grey                   |         |     |              |     | C51            | graphite grey                        |         |     |       |
|      | S31            | savanna                         |         |     |              |     | S31            | savanna                              |         |     |       |
|      | G11            | metropole blue                  |         |     |              |     | G11            | metropole blue                       |         |     |       |
|      | J31            | nephrite green                  |         |     |              |     | J31            | nephrite green                       |         |     |       |
|      | M31            | boxster red                     |         |     |              |     | M31            | boxster red                          |         |     |       |
|      | P12            | cinnamon brown                  |         |     |              |     | D12            | dark grey                            |         |     |       |
|      | D12            | dark grey/natural               |         |     |              |     | T12            | brown/natural                        |         |     |       |
|      | T12            | brown/natural                   |         |     |              |     | P12            | cinnamon brown                       |         |     |       |
| 18   | 996 552 951 00 | centre nozzle<br>aluminium look | 03-     | 1   | XCD          | 19  | 996 552 967 09 | trim for switch<br>rootwood<br>light |         | 1   | XKR   |
|      | A11            | black                           |         |     |              | 19  | 996 552 967 10 | trim for switch<br>rootwood<br>dark  |         | 1   | XKS   |
|      | C51            | graphite grey                   |         |     |              | 19  | 996 552 967 11 | trim for switch<br>carbon            |         | 1   | XNR   |
|      | S31            | savanna                         |         |     |              |     |                |                                      |         |     |       |
|      | G11            | metropole blue                  |         |     |              |     |                |                                      |         |     |       |
|      | J31            | nephrite green                  |         |     |              |     |                |                                      |         |     |       |

|       |      |    |    |              |              |        |       |            |         |     |         |
|-------|------|----|----|--------------|--------------|--------|-------|------------|---------|-----|---------|
| Model | Year | MG | SG | Illustration | Restrictions | Update | 11:39 | 25.11.2005 | PORSCHE | PET | PORSCHE |
| 996   | 05   | 8  | 09 | 809-02       |              | 194    |       |            |         |     |         |

| Pos  | Part Number    | Name  | Remarks | Qty | Model       | Pos | Part Number    | Name                 | Remarks | Qty | Model |
|------|----------------|---|---------|-----|-------------|-----|----------------|----------------------|---------|-----|-------|
| 19   | 996 552 967 13 | trim for switch<br>arctic silver            |         | 1   | XKW         |     | M31            | boxster red          |         |     |       |
| 20   | 996 552 673 03 | holder                                      |         | 1   |             |     | G11            | metropole blue       |         |     |       |
| (20) | 996 552 653 03 | holder                                      | 02      | 1   | M 662       |     | D12            | dark grey            |         |     |       |
| (20) | 996 552 653 02 | holder                                      | 03-     | 1   | M 665       |     | T12            | brown/natural        |         |     |       |
| 21   | 999 073 218 09 | tapping screw<br>4,2 X 16                   |         | 2   |             |     | P12            | cinnamon brown       |         |     |       |
| 22   | 986 552 153 00 | frame                                       |         | 1   | M 574       | 24  | ---            | see group<br>4/03/06 |         | 1   |       |
|      | 01C            | satin black                                 |         |     |             | 25  | 996 653 241 00 | interior sensor      |         | 1   |       |
| 22   | 996 552 677 01 | frame                                       |         | 1   | M 573       |     |                | - - - E N D - - -    |         |     |       |
|      | 01C            | satin black                                 |         |     |             |     |                |                      |         |     |       |
| 22   | 996 552 992 00 | frame<br>air-conditioning switch<br>leather |         | 1   | XKW/XNN/573 |     |                |                      |         |     |       |
|      | A11            | black                                       |         |     |             |     |                |                      |         |     |       |
|      | C51            | graphite grey                               |         |     |             |     |                |                      |         |     |       |
|      | S31            | savanna                                     |         |     |             |     |                |                      |         |     |       |
|      | G11            | metropole blue                              |         |     |             |     |                |                      |         |     |       |
|      | J31            | nephrite green                              |         |     |             |     |                |                      |         |     |       |
|      | M31            | boxster red                                 |         |     |             |     |                |                      |         |     |       |
|      | D12            | dark grey/natural                           |         |     |             |     |                |                      |         |     |       |
|      | T12            | brown/natural                               |         |     |             |     |                |                      |         |     |       |
|      | P12            | cinnamon brown                              |         |     |             |     |                |                      |         |     |       |
| 23   | 996 552 253 01 | shelf<br>instead of<br>radio                |         | 1   |             |     |                |                      |         |     |       |
|      | 01C            | satin black                                 |         |     |             |     |                |                      |         |     |       |
| 23   | 996 552 994 01 | shelf<br>leather                            | 02      | 1   | XMF         |     |                |                      |         |     |       |
|      | A11            | black                                       |         |     |             |     |                |                      |         |     |       |
|      | C51            | graphite grey                               |         |     |             |     |                |                      |         |     |       |
|      | S31            | savanna                                     |         |     |             |     |                |                      |         |     |       |
|      | J31            | nephrite green                              |         |     |             |     |                |                      |         |     |       |

|       |      |    |    |              |              |        |       |            |         |     |         |
|-------|------|----|----|--------------|--------------|--------|-------|------------|---------|-----|---------|
| Model | Year | MG | SG | Illustration | Restrictions | Update | 11:40 | 25.11.2005 | PORSCHE | PET | PORSCHE |
| 996   | 05   | 8  | 09 | 809-03       |              | 194    |       |            |         |     |         |



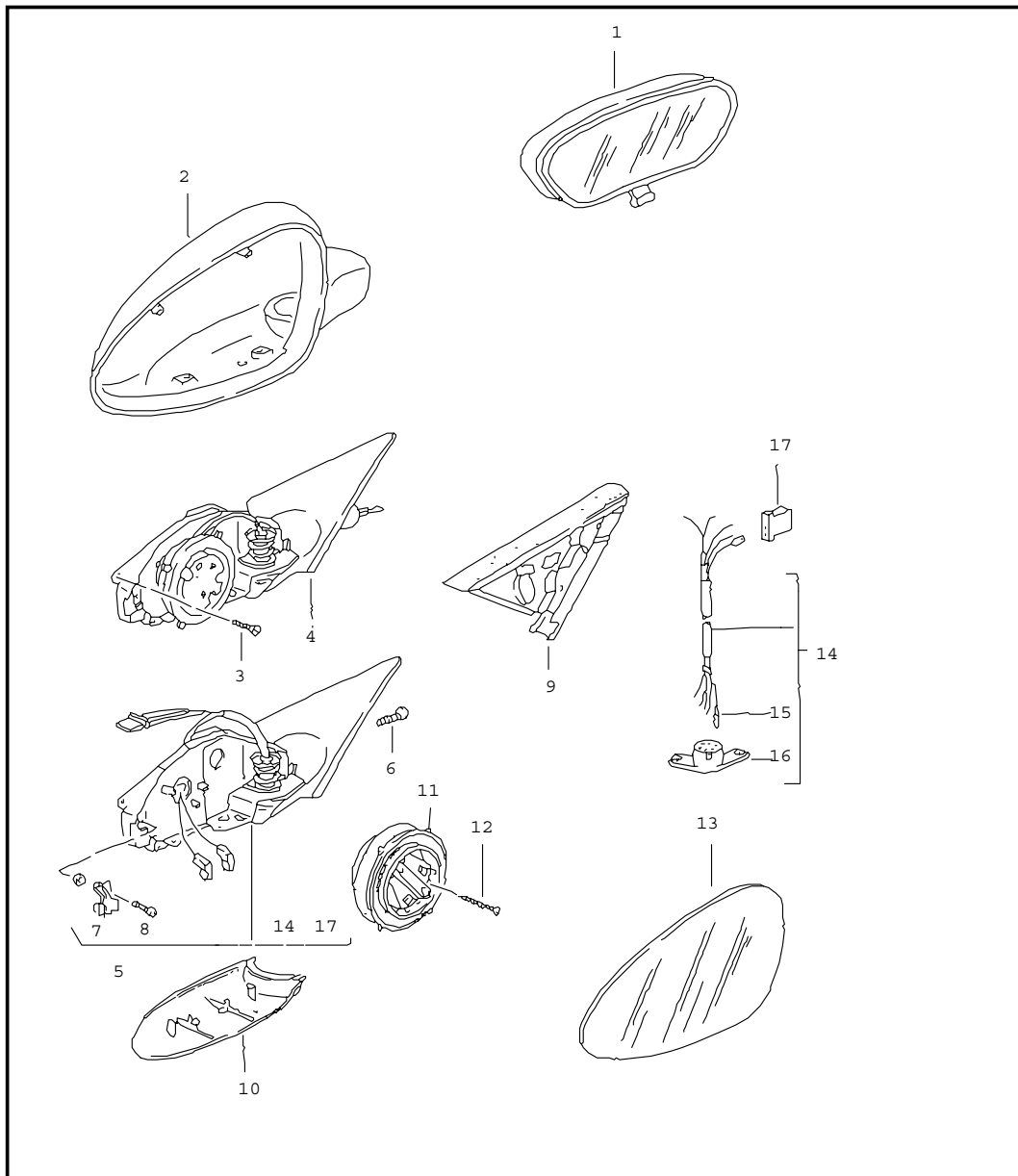
| Pos | Part Number    | Name                                | Remarks | Qty | Model |
|-----|----------------|-------------------------------------|---------|-----|-------|
|     |                | glove compartment                   | 02-     |     |       |
| 1   | 996 552 119 00 | glove compartment                   | /LL     | 1   |       |
|     |                | 01C satin black                     |         |     |       |
| (1) | 996 552 120 00 | glove compartment                   | /RL     | 1   |       |
|     |                | 01C satin black                     |         |     |       |
| 2   | 996 622 501 00 | wiring harness                      |         | 1   |       |
| 3   | 999 650 564 40 | clip for wiring harness microswitch |         | 1   |       |
| 4   | 999 650 565 40 | clip for wiring harness             |         | 1   |       |
| 5   | 996 552 779 00 | damper                              |         | 2   |       |
| 6   | 999 703 491 50 | buffer 7 X 9,5 X 19,5               |         | 2   |       |
| 7   | 928 632 101 00 | glove compartment light             |         | 1   |       |
| 8   | 996 552 133 00 | glove box cover leatherette         | /LL     | 1   |       |
|     |                | A12 black                           |         |     |       |
|     |                | C52 graphite grey                   |         |     |       |
|     |                | S32 savanna                         |         |     |       |
|     |                | G12 metropole blue                  |         |     |       |
|     |                | J32 nephrite green                  |         |     |       |
| (8) | 996 552 134 00 | glove box cover leatherette         | /RL     | 1   |       |
|     |                | A12 black                           |         |     |       |
|     |                | C52 graphite grey                   |         |     |       |
|     |                | S32 savanna                         |         |     |       |
|     |                | G12 metropole blue                  |         |     |       |
|     |                | J32 nephrite green                  |         |     |       |
| 8   | 996 552 133 01 | glove box cover leather             | /LL     | 1   |       |
|     |                | A11 black                           |         |     |       |

|       |      |    |    |              |              |        |       |            |         |     |         |
|-------|------|----|----|--------------|--------------|--------|-------|------------|---------|-----|---------|
| Model | Year | MG | SG | Illustration | Restrictions | Update | 11:40 | 25.11.2005 | PORSCHE | PET | PORSCHE |
| 996   | 05   | 8  | 09 | 809-03       |              | 194    |       |            |         |     |         |

| Pos  | Part Number    | Name                       | Remarks | Qty | Model | Pos | Part Number    | Name                               | Remarks | Qty | Model |
|------|----------------|----------------------------|---------|-----|-------|-----|----------------|------------------------------------|---------|-----|-------|
|      | C51            | graphite grey              |         |     |       | --  | 996 552 915 00 | lock cylinder<br>state lock number |         | 1   |       |
|      | S31            | savanna                    |         |     |       | 11  | 999 073 240 02 | screw<br>M 4 X 10                  |         | 2   |       |
|      | G11            | metropole blue             |         |     |       | 12  | 999 073 169 07 | tapping screw<br>4,8 X 16          |         | 7   |       |
|      | J31            | nephrite green             |         |     |       | 13  | 996 552 879 00 | adapter<br>for<br>damper           | 02-     | 2   |       |
|      | M31            | boxster red                |         |     |       |     |                |                                    |         |     |       |
|      | P12            | cinnamon brown             |         |     |       |     |                |                                    |         |     |       |
|      | D12            | dark grey                  |         |     |       |     |                |                                    |         |     |       |
|      | T12            | brown/natural              |         |     |       |     |                |                                    |         |     |       |
| (8)  | 996 552 134 01 | glove box cover<br>leather | /RL     | 1   |       |     |                |                                    |         |     |       |
|      | A11            | black                      |         |     |       |     |                |                                    |         |     |       |
|      | C51            | graphite grey              |         |     |       |     |                |                                    |         |     |       |
|      | S31            | savanna                    |         |     |       |     |                |                                    |         |     |       |
|      | G11            | metropole blue             |         |     |       |     |                |                                    |         |     |       |
|      | J31            | nephrite green             |         |     |       |     |                |                                    |         |     |       |
|      | M31            | boxster red                |         |     |       |     |                |                                    |         |     |       |
|      | P12            | cinnamon brown             |         |     |       |     |                |                                    |         |     |       |
|      | D12            | dark grey                  |         |     |       |     |                |                                    |         |     |       |
|      | T12            | brown/natural              |         |     |       |     |                |                                    |         |     |       |
| 9    | 999 073 249 07 | tapping screw<br>3,5 X 11  | 02      | 11  |       |     |                |                                    |         |     |       |
| 9    | 999 073 308 07 | tapping screw<br>3,5 X 12  | 03-     | 11  |       |     |                |                                    |         |     |       |
| 10   | 996 552 349 00 | handle                     | /LL 02  | 1   |       |     |                |                                    |         |     |       |
|      | V01            | silver                     |         |     |       |     |                |                                    |         |     |       |
| (10) | 996 552 350 00 | handle                     | /RL 02  | 1   |       |     |                |                                    |         |     |       |
|      | V01            | silver                     |         |     |       |     |                |                                    |         |     |       |
| 10   | 996 552 349 01 | handle                     | /LL 03- | 1   |       |     |                |                                    |         |     |       |
|      | V03            | silver                     |         |     |       |     |                |                                    |         |     |       |
| (10) | 996 552 350 01 | handle                     | /RL 03- | 1   |       |     |                |                                    |         |     |       |
|      | V03            | silver                     |         |     |       |     |                |                                    |         |     |       |

- - - E N D - - -

|       |      |    |    |              |              |        |       |            |         |     |         |
|-------|------|----|----|--------------|--------------|--------|-------|------------|---------|-----|---------|
| Model | Year | MG | SG | Illustration | Restrictions | Update | 11:40 | 25.11.2005 | PORSCHE | PET | PORSCHE |
| 996   | 05   | 8  | 09 | 809-10       |              | 194    |       |            |         |     |         |



| Pos | Part Number    | Name  | Remarks  | Qty | Model   |
|-----|----------------|---|----------|-----|---------|
| 1   | 996 731 511 01 | interior mirror<br>door mirror                        |          | 1   |         |
|     | 01C            | satin black   |          |     |         |
| (1) | 996 731 982 00 | interior mirror                                       | -00      | 1   | XEH/XE3 |
|     | 01C            | satin black   |          |     |         |
| (1) | 996 731 511 02 | interior mirror                                       | 01-      | 1   | M 265   |
|     | 01C            | satin black   |          |     |         |
| -   | 996 731 811 01 | cover   | /L 01-   | 1   | M 265   |
|     | 01C            | satin black   |          |     |         |
| -   | 996 731 812 01 | cover   | /R 01-   | 1   | M 265   |
|     | 01C            | satin black   |          |     |         |
| 2   | 996 731 619 00 | housing   | /L       | 1   |         |
|     | G2L            | prime coated  |          |     |         |
| (2) | 996 731 620 00 | housing   | /R       | 1   |         |
|     | G2L            | prime coated  |          |     |         |
| 3   | 999 919 170 02 | countersunk-head screw<br>3,0 X 10                    |          | 6   |         |
| 5   | 996 731 219 00 | mirror base<br>door mirror<br>electrically adjustable | /LL/L    | 1   |         |
|     | G2L            | prime coated  |          |     |         |
| 5   | 996 731 219 04 | mirror base<br>door mirror<br>electrically adjustable | /LL/L01- | 1   | M 266   |
|     | G2L            | prime coated  |          |     |         |
| (5) | 996 731 220 00 | mirror base<br>door mirror<br>electrically adjustable | /LL/R    | 1   |         |
|     | G2L            | prime coated  |          |     |         |
| (5) | 996 731 219 01 | mirror base<br>door mirror<br>electrically adjustable | /RL/L    | 1   |         |
|     | G2L            | prime coated  |          |     |         |

|       |      |    |    |              |              |        |       |            |         |     |         |
|-------|------|----|----|--------------|--------------|--------|-------|------------|---------|-----|---------|
| Model | Year | MG | SG | Illustration | Restrictions | Update | 11:40 | 25.11.2005 | PORSCHE | PET | PORSCHE |
| 996   | 05   | 8  | 09 | 809-10       |              | 194    |       |            |         |     |         |

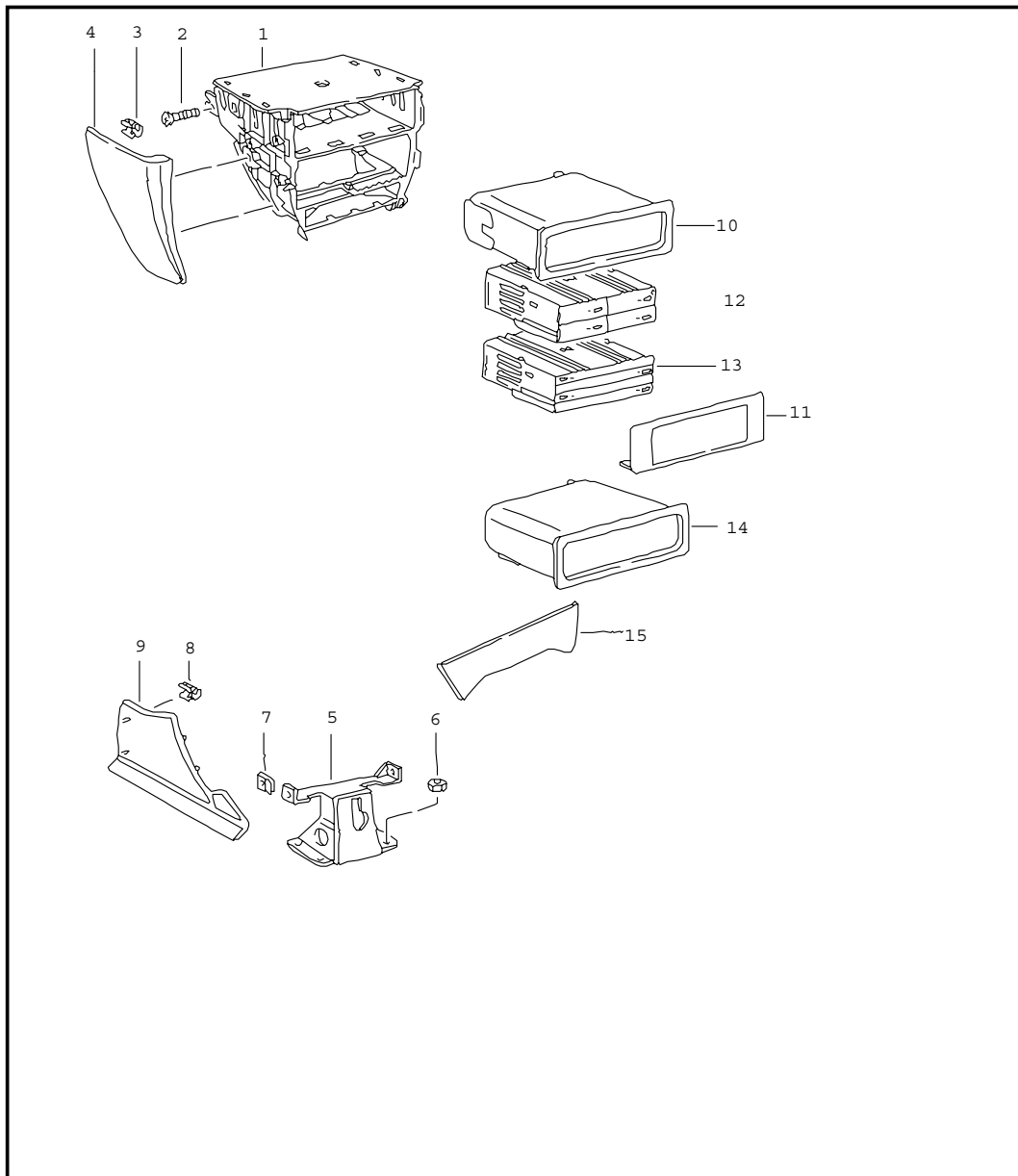
| Pos | Part Number    | Name  | Remarks  | Qty | Model     | Pos  | Part Number    | Name                                       | Remarks  | Qty | Model     |
|-----|----------------|---|----------|-----|-----------|------|----------------|--|----------|-----|-----------|
| (5) | 996 731 220 01 | mirror base<br>door mirror<br>electrically adjustable | /RL/R    | 1   |           | (9)  | 996 537 732 00 | filler piece<br>outer                      | /R       | 1   |           |
|     | G2L            | prime coated  |          |     |           | (9)  | 996 537 733 00 | filler piece                               | /L       | 1   |           |
| (5) | 996 731 220 04 | mirror base<br>door mirror<br>electrically adjustable | /RL/R01- | 1   | M 266     | (9)  | 996 537 734 00 | filler piece<br>inner                      | /R       | 1   |           |
|     | G2L            | prime coated  |          |     |           | 10   | 996 731 719 00 | cover<br>lower                             | /L       | 1   |           |
|     |                |   |          |     |           |      | G2L            | prime coated                               |          |     |           |
| (5) | 996 731 219 02 | mirror base<br>door mirror<br>electrically adjustable | /LL/L    | 1   | M 537     | (10) | 996 731 720 00 | cover<br>lower                             | /R       | 1   |           |
|     | G2L            | prime coated  |          |     |           |      | G2L            | prime coated                               |          |     |           |
| (5) | 996 731 219 05 | mirror base<br>door mirror<br>electrically adjustable | /LL/L01- | 1   | M 537+266 | 11   | 996 624 047 00 | adjusting motor<br>ASPHAERISCH             |          | 2   |           |
|     | G2L            | prime coated  |          |     |           | 11   | 996 624 048 00 | adjusting motor<br>ASPHAERISCH             |          | 2   | M 537/538 |
| (5) | 996 731 220 02 | mirror base<br>door mirror<br>electrically adjustable | /LL/R    | 1   | M 537     | 12   | 900 278 013 02 | oval-head screw<br>M 3 X 30<br>ASPHAERISCH |          | 6   |           |
|     | G2L            | prime coated  |          |     |           | 13   | 996 731 035 01 | mirror glass<br>ASPHAERISCH                | /L       | 1   | M 270     |
| (5) | 996 731 219 03 | mirror base<br>door mirror<br>electrically adjustable | /RL/L    | 1   | M 538     | 13   | 996 731 035 03 | mirror glass<br>plan<br>ASPHAERISCH        | /L 01-   | 1   | M 270+266 |
|     | G2L            | prime coated  |          |     |           | (13) | 996 731 035 02 | mirror glass<br>ASPHAERISCH                | /L       | 1   | M 271     |
| (5) | 996 731 220 03 | mirror base<br>door mirror<br>electrically adjustable | /RL/R    | 1   | M 538     | (13) | 996 731 035 04 | mirror glass<br>ASPHAERISCH                | /L 01-   | 1   | M 271+266 |
|     | G2L            | prime coated  |          |     |           | (13) | 996 731 037 01 | mirror glass<br>convex                     | /RL/L    | 1   |           |
| (5) | 996 731 220 05 | mirror base<br>door mirror<br>electrically adjustable | /RL/R01- | 1   | M 538+266 | (13) | 996 731 036 01 | mirror glass                               | /RL/R    | 1   | M 270     |
|     | G2L            | prime coated  |          |     |           | (13) | 996 731 036 03 | mirror glass<br>plan                       | /RL/R01- | 1   | M 270+266 |
| 6   | 999 073 125 02 | oval-head screw<br>M 5 X 14                           |          | 6   |           | (13) | 996 731 036 02 | mirror glass                               | /RL/R    | 1   | M 271     |
| 7   | 999 507 549 02 | spring clamp  |          | 2   |           | (13) | 996 731 036 04 | mirror glass<br>ASPHAERISCH                | /RL/R01- | 1   | M 271+266 |
| 8   | 900 278 010 02 | oval-head screw                                       |          | 2   |           | (13) | 996 731 038 02 | mirror glass<br>convex                     | /LL/R    | 1   |           |
| 9   | 996 537 731 00 | filler piece  | /L       | 1   |           |      |                |  |          |     |           |

|       |      |    |    |              |              |        |       |            |         |     |         |
|-------|------|----|----|--------------|--------------|--------|-------|------------|---------|-----|---------|
| Model | Year | MG | SG | Illustration | Restrictions | Update | 11:40 | 25.11.2005 | PORSCHE | PET | PORSCHE |
| 996   | 05   | 8  | 09 | 809-10       |              | 194    |       |            |         |     |         |

| Pos  | Part Number    | Name                        | Remarks | Qty | Model     | Pos | Part Number | Name | Remarks | Qty | Model |
|------|----------------|-----------------------------|---------|-----|-----------|-----|-------------|------|---------|-----|-------|
| (13) | 996 731 038 04 | mirror glass<br>convex      | /LL/R   | 1   | (SA)      |     |             |      |         |     |       |
| (14) | 996 612 674 00 | wiring harness              |         | 1   |           |     |             |      |         |     |       |
| 15   | 999 652 710 10 | cylindrical connector       |         | 30  |           |     |             |      |         |     |       |
| 16   | 999 650 173 40 | connector<br>15-pole        |         | 2   |           |     |             |      |         |     |       |
| 17   | 311 906 231 B  | connector housing<br>3-pole |         | 2   |           |     |             |      |         |     |       |
| (17) | 999 650 177 40 | plug socket<br>8-pole       |         | 2   | M 537/538 |     |             |      |         |     |       |
| (17) | 999 650 178 40 | slide<br>8-pole             |         | 2   | M 537/538 |     |             |      |         |     |       |
|      |                | - - - E N D - - -           |         |     |           |     |             |      |         |     |       |



|       |      |    |    |              |              |        |       |            |         |     |         |
|-------|------|----|----|--------------|--------------|--------|-------|------------|---------|-----|---------|
| Model | Year | MG | SG | Illustration | Restrictions | Update | 11:40 | 25.11.2005 | PORSCHE | PET | PORSCHE |
| 996   | 05   | 8  | 09 | 809-15       |              | 194    |       |            |         |     |         |



| Pos | Part Number    | Name   | Remarks | Qty | Model |
|-----|----------------|--|---------|-----|-------|
|     |                | centre console front   |         |     |       |
| 1   | 996 552 115 01 | bracket<br>01C satin black   | 98      | 1   |       |
| 1   | 996 552 115 02 | bracket<br>01C satin black   | 99-     | 1   |       |
| 1   | 996 552 973 01 | bracket<br>leather<br>A11 black<br>C51 graphite grey<br>S31 savanna<br>J31 nephrite green<br>M31 boxster red<br>G11 metropole blue<br>D12 dark grey/natural<br>T12 brown/natural<br>P12 cinnamon brown | 01-     | 1   | XMF   |
| 2   | 999 919 121 09 | oval-head screw<br>5,0 X 16  |         | 4   |       |
| 3   | 999 507 476 01 | clamp<br>8,0 X 10,2  |         | 3   |       |
| 4   | 996 552 091 05 | cover<br>leatherette<br>A18 black<br>C18 graphite grey<br>S18 savanna<br>G18 metropole blue<br>B18 space grey  | /L 98   | 1   |       |
| (4) | 996 552 092 05 | cover<br>leatherette<br>A18 black<br>C18 graphite grey   | /R 98   | 1   |       |

|       |      |    |    |              |              |        |       |            |         |     |         |
|-------|------|----|----|--------------|--------------|--------|-------|------------|---------|-----|---------|
| Model | Year | MG | SG | Illustration | Restrictions | Update | 11:40 | 25.11.2005 | PORSCHE | PET | PORSCHE |
| 996   | 05   | 8  | 09 | 809-15       |              | 194    |       |            |         |     |         |

| Pos | Part Number    | Name              | Remarks | Qty | Model | Pos | Part Number    | Name           | Remarks | Qty | Model |
|-----|----------------|-------------------|---------|-----|-------|-----|----------------|----------------|---------|-----|-------|
|     | S18            | savanna           |         |     |       |     | B52            | space grey     | 00      |     |       |
|     | G18            | metropole blue    |         |     |       |     | J32            | nephrite green | 01-     |     |       |
|     | B18            | space grey        |         |     |       | 4   | 996 552 091 03 | cover leather  | /L 98   | 1   |       |
| (4) | 996 552 091 06 | cover leatherette | /L 99   | 1   |       |     | A11            | black          |         |     |       |
|     | A18            | black             |         |     |       |     | C51            | graphite grey  |         |     |       |
|     | C18            | graphite grey     |         |     |       |     | S31            | savanna        |         |     |       |
|     | S18            | savanna           |         |     |       |     | J31            | nephrite green |         |     |       |
|     | G18            | metropole blue    |         |     |       |     | M31            | boxster red    |         |     |       |
|     | B18            | space grey        |         |     |       |     | G11            | metropole blue |         |     |       |
| (4) | 996 552 092 06 | cover leatherette | /R 99   | 1   |       |     | B51            | space grey     |         |     |       |
|     | A18            | black             |         |     |       | (4) | 996 552 092 03 | cover leather  | /R 98   | 1   |       |
|     | C18            | graphite grey     |         |     |       |     | A11            | black          |         |     |       |
|     | S18            | savanna           |         |     |       |     | C51            | graphite grey  |         |     |       |
|     | G18            | metropole blue    |         |     |       |     | S31            | savanna        |         |     |       |
|     | B18            | space grey        |         |     |       |     | J31            | nephrite green |         |     |       |
| 4   | 996 552 091 06 | cover leatherette | /L 00-  | 1   |       |     | M31            | boxster red    |         |     |       |
|     | A12            | black             |         |     |       |     | G11            | metropole blue |         |     |       |
|     | C52            | graphite grey     |         |     |       |     | B51            | space grey     |         |     |       |
|     | S32            | savanna           |         |     |       | 4   | 996 552 091 07 | cover leather  | /L 99-  | 1   |       |
|     | G12            | metropole blue    |         |     |       |     | A11            | black          |         |     |       |
|     | B52            | space grey        | 00      |     |       |     | C51            | graphite grey  |         |     |       |
|     | J32            | nephrite green    | 01-     |     |       |     | S31            | savanna        |         |     |       |
| (4) | 996 552 092 06 | cover leatherette | /R 00-  | 1   |       |     | J31            | nephrite green |         |     |       |
|     | A12            | black             |         |     |       |     | M31            | boxster red    |         |     |       |
|     | C52            | graphite grey     |         |     |       |     | G11            | metropole blue |         |     |       |
|     | S32            | savanna           |         |     |       |     | B51            | space grey     |         |     |       |
|     | G12            | metropole blue    |         |     |       |     | D12            | dark grey      | 00-     |     |       |
|     |                |                   |         |     |       |     | T12            | brown/natural  | 00-     |     |       |

|       |      |    |    |              |              |        |       |            |         |     |         |
|-------|------|----|----|--------------|--------------|--------|-------|------------|---------|-----|---------|
| Model | Year | MG | SG | Illustration | Restrictions | Update | 11:40 | 25.11.2005 | PORSCHE | PET | PORSCHE |
| 996   | 05   | 8  | 09 | 809-15       |              | 194    |       |            |         |     |         |

| Pos | Part Number    | Name                                   | Remarks       | Qty | Model | Pos  | Part Number    | Name  | Remarks   | Qty | Model   |
|-----|----------------|--|---------------|-----|-------|------|----------------|---|-----------|-----|---------|
| (4) | 996 552 092 07 | P12 cinnamon brown<br>cover<br>leather | 01-<br>/R 99- | 1   |       | (9)  | 996 552 114 02 | P11 cinnamon brown<br>cover<br>carpet       | 01-<br>/R | 1   |         |
|     | A11            | black                                  |               |     |       |      | A10            | black                                       |           |     |         |
|     | C51            | graphite grey                          |               |     |       |      | C50            | graphite grey                               |           |     |         |
|     | S31            | savanna                                |               |     |       |      | S30            | savanna                                     |           |     |         |
|     | J31            | nephrite green                         |               |     |       |      | J30            | nephrite green                              |           |     |         |
|     | M31            | boxster red                            |               |     |       |      | M30            | boxster red                                 |           |     |         |
|     | G11            | metropole blue                         |               |     |       |      | G10            | metropole blue                              |           |     |         |
|     | B51            | space grey                             |               |     |       |      | B50            | space grey                                  | -00       |     |         |
|     | D12            | dark grey                              | 00-           |     |       |      | D11            | dark grey                                   | 00-       |     |         |
|     | T12            | brown/natural                          | 00-           |     |       |      | T11            | brown/natural                               | 00-       |     |         |
|     | P12            | cinnamon brown                         | 01-           |     |       |      | P11            | cinnamon brown                              | 01-       |     |         |
| (5) | 996 552 267 05 | support<br>lower                       |               | 1   | M 581 | 10   | 996 552 253 01 | shelf                                       |           | 1   |         |
| 6   | 999 084 629 09 | hexagon nut<br>M 6                     |               | 4   |       |      | 01C            | satin black                                 |           |     |         |
| 7   | 999 920 011 40 | special nut<br>5,0 X 1,0 X 8           |               | 4   |       | 10   | 996 552 994 01 | shelf<br>leather                            | 01-02     | 1   | XMF     |
|     |                |  |               |     |       |      | A11            | black                                       |           |     |         |
| 8   | 999 507 476 01 | clamp<br>8,0 X 10,2                    |               | 2   |       |      | C51            | graphite grey                               |           |     |         |
| 9   | 996 552 113 02 | cover<br>carpet                        | /L            | 1   |       |      | S31            | savanna                                     |           |     |         |
|     | A10            | black                                  |               |     |       |      | J31            | nephrite green                              |           |     |         |
|     | C50            | graphite grey                          |               |     |       |      | M31            | boxster red                                 |           |     |         |
|     | S30            | savanna                                |               |     |       |      | G11            | metropole blue                              |           |     |         |
|     | J30            | nephrite green                         |               |     |       |      | D12            | dark grey                                   |           |     |         |
|     | M30            | boxster red                            |               |     |       |      | T12            | brown/natural                               |           |     |         |
|     | G10            | metropole blue                         |               |     |       |      | P12            | cinnamon brown                              |           |     |         |
|     | B50            | space grey                             | -00           |     |       | 11   | 996 552 443 00 | frame                                       |           | 1   |         |
|     | D11            | dark grey                              | 00-           |     |       |      | 01C            | satin black                                 |           |     |         |
|     | T11            | brown/natural                          | 00-           |     |       | (11) | 996 552 992 00 | frame<br>air-conditioning switch<br>leather | 01-       | 1   | XKW/XNN |

|       |      |    |    |              |              |        |       |            |         |     |         |
|-------|------|----|----|--------------|--------------|--------|-------|------------|---------|-----|---------|
| Model | Year | MG | SG | Illustration | Restrictions | Update | 11:40 | 25.11.2005 | PORSCHE | PET | PORSCHE |
| 996   | 05   | 8  | 09 | 809-15       |              | 194    |       |            |         |     |         |

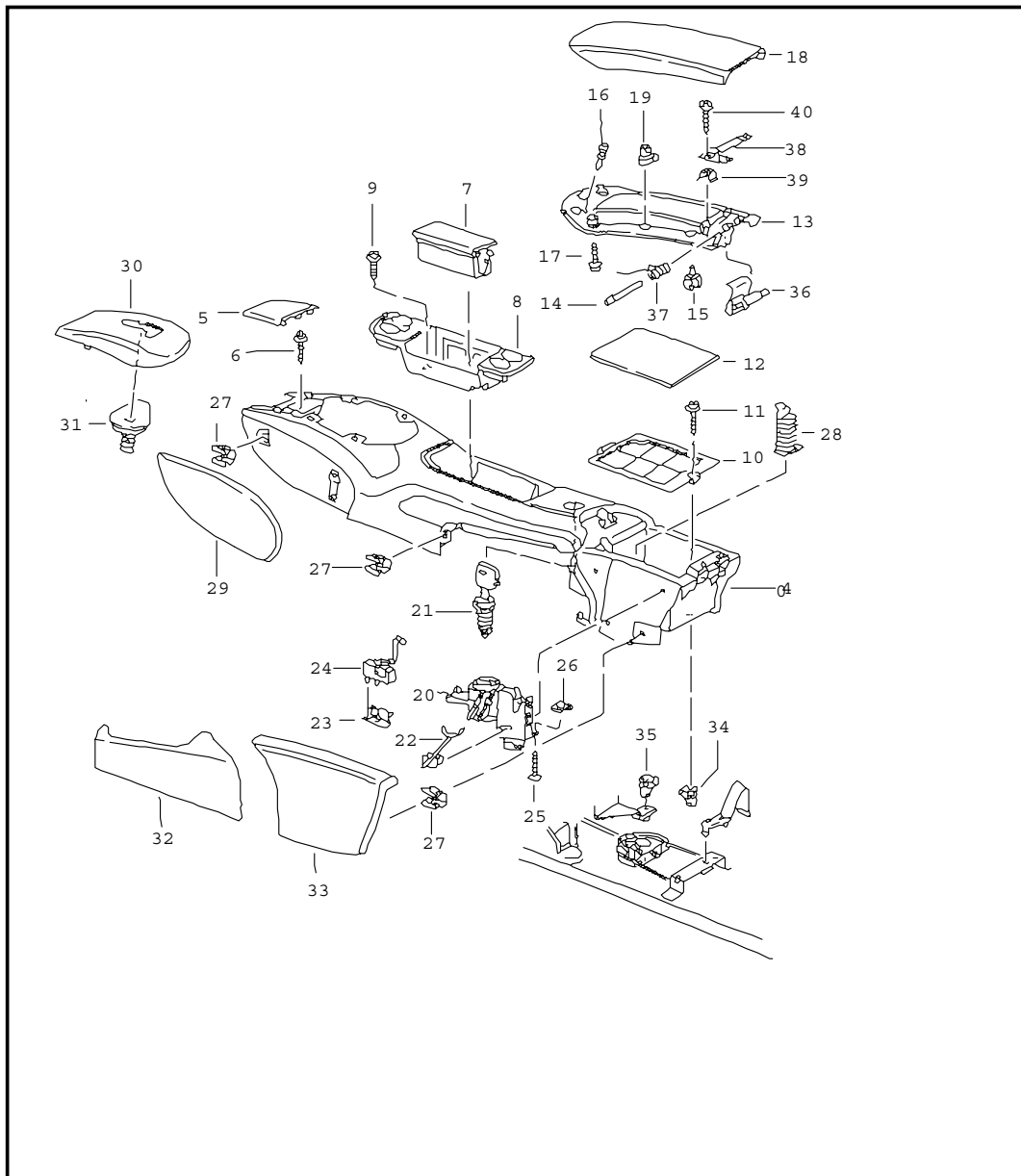
| Pos  | Part Number    | Name                    | Remarks | Qty | Model     | Pos  | Part Number    | Name                       | Remarks | Qty | Model   |
|------|----------------|-------------------------|---------|-----|-----------|------|----------------|----------------------------|---------|-----|---------|
|      | A11            | black                   |         |     |           |      | D12            | dark grey/natural          | 00-     |     |         |
|      | C51            | graphite grey           |         |     |           |      | T12            | brown/natural              | 00-     |     |         |
|      | S31            | savanna                 |         |     |           |      | P12            | cinnamon brown             | 01-     |     |         |
|      | G11            | metropole blue          |         |     |           | 14   | 996 552 243 01 | shelf                      |         | 1   |         |
|      | J31            | nephrite green          |         |     |           |      | 01C            | satin black                |         |     |         |
|      | M31            | boxster red             |         |     |           | 14   | 996 552 982 01 | shelf<br>leather           | 01-     | 1   | XMF     |
|      | D12            | dark grey               |         |     |           |      | A11            | black                      |         |     |         |
|      | T12            | brown/natural           |         |     |           |      | C51            | graphite grey              |         |     |         |
|      | P12            | cinnamon brown          |         |     |           |      | S31            | savanna                    |         |     |         |
| 12   | 996 552 763 00 | cassette box            | -02     | 4   | M 421     |      | J31            | nephrite green             |         |     |         |
| (12) | 996 552 981 01 | cassette box<br>leather | 01-02   | 1   | M 421+XMF |      | M31            | boxster red                |         |     |         |
|      | A11            | black                   |         |     |           |      | G11            | metropole blue             |         |     |         |
|      | C51            | graphite grey           |         |     |           |      | D12            | dark grey                  |         |     |         |
|      | S31            | savanna                 |         |     |           |      | T12            | brown/natural              |         |     |         |
|      | G11            | metropole blue          |         |     |           |      | P12            | cinnamon brown             |         |     |         |
|      | J31            | nephrite green          |         |     |           | (14) | 996 552 963 00 | cover<br>leather           | 01-     | 1   | XMF/XNN |
|      | M31            | boxster red             |         |     |           |      | A11            | black                      |         |     |         |
|      | D12            | dark grey/natural       | 00-     |     |           |      | C51            | graphite grey              |         |     |         |
|      | T12            | brown/natural           | 00-     |     |           |      | S31            | savanna                    |         |     |         |
|      | P12            | cinnamon brown          | 01-     |     |           |      | G11            | metropole blue             |         |     |         |
| 13   | 996 552 773 00 | box for cds             |         | 4   | M 424     |      | J31            | nephrite green             |         |     |         |
| (13) | 996 552 981 00 | box for cds<br>leather  | 01-     | 1   | M 424+XMF |      | M31            | boxster red                |         |     |         |
|      | A11            | black                   |         |     |           |      | D12            | dark grey                  |         |     |         |
|      | C51            | graphite grey           |         |     |           |      | T12            | brown/natural              |         |     |         |
|      | S31            | savanna                 |         |     |           |      | P12            | cinnamon brown             |         |     |         |
|      | G11            | metropole blue          |         |     |           | (14) | 996 552 963 01 | cover<br>rootwood<br>light | 01-     | 1   | XKR     |
|      | J31            | nephrite green          |         |     |           |      |                |                            |         |     |         |
|      | M31            | boxster red             |         |     |           |      |                |                            |         |     |         |

|       |      |    |    |              |              |        |       |            |         |     |         |
|-------|------|----|----|--------------|--------------|--------|-------|------------|---------|-----|---------|
| Model | Year | MG | SG | Illustration | Restrictions | Update | 11:40 | 25.11.2005 | PORSCHE | PET | PORSCHE |
| 996   | 05   | 8  | 09 | 809-15       |              | 194    |       |            |         |     |         |

| Pos  | Part Number    | Name                       | Remarks | Qty | Model                | Pos  | Part Number    | Name                              | Remarks | Qty | Model |
|------|----------------|----------------------------|---------|-----|----------------------|------|----------------|-----------------------------------|---------|-----|-------|
| (14) | 996 552 963 02 | cover<br>rootwood<br>dark  | 01-     | 1   | XKS                  |      | M31            | boxster red                       |         |     |       |
|      |                |                            |         |     |                      |      | G11            | metropole blue                    |         |     |       |
| (14) | 996 552 963 04 | cover<br>carbon            | 01-     | 1   | XNR                  |      | D12            | dark grey                         |         |     |       |
| 15   | 996 552 335 00 | trim for switch            |         | 1   |                      |      | T12            | brown/natural                     |         |     |       |
|      | 01C            | satin black                |         |     |                      |      | P12            | cinnamon brown                    |         |     |       |
| (15) | 996 552 335 01 | trim for switch            |         | 1   | TARGA/<br>M 139/340  | (15) | 996 552 583 00 | trim for switch<br>centre console | 00      | 1   | M094  |
|      | 4              | switch                     |         |     |                      |      | T12            | brown/natural                     |         |     |       |
|      | 01C            | satin black                |         |     |                      | (15) | 996 552 315 00 | trim for switch<br>centre console | 04      | 1   | M095  |
| (15) | 996 552 335 02 | trim for switch            |         | 1   | M 139/340            |      | 01C            | satin black                       |         |     |       |
|      | 2              | switch                     |         |     |                      |      |                |                                   |         |     |       |
|      | 01C            | satin black                |         |     |                      |      |                |                                   |         |     |       |
| 15   | 996 552 983 00 | trim for switch<br>leather |         | 1   | XKW/XNN              |      |                |                                   |         |     |       |
|      | A11            | black                      |         |     |                      |      |                |                                   |         |     |       |
|      | C51            | graphite grey              |         |     |                      |      |                |                                   |         |     |       |
|      | S31            | savanna                    |         |     |                      |      |                |                                   |         |     |       |
|      | J31            | nephrite green             |         |     |                      |      |                |                                   |         |     |       |
|      | M31            | boxster red                |         |     |                      |      |                |                                   |         |     |       |
|      | G11            | metropole blue             |         |     |                      |      |                |                                   |         |     |       |
|      | D12            | dark grey                  |         |     |                      |      |                |                                   |         |     |       |
|      | T12            | brown/natural              |         |     |                      |      |                |                                   |         |     |       |
|      | P12            | cinnamon brown             |         |     |                      |      |                |                                   |         |     |       |
| (15) | 996 552 983 01 | trim for switch            |         | 1   | M 139/340<br>XKW/XNN |      |                |                                   |         |     |       |
|      | 2              | switch                     |         |     |                      |      |                |                                   |         |     |       |
|      |                | leather                    |         |     |                      |      |                |                                   |         |     |       |
|      | A11            | black                      |         |     |                      |      |                |                                   |         |     |       |
|      | C51            | graphite grey              |         |     |                      |      |                |                                   |         |     |       |
|      | S31            | savanna                    |         |     |                      |      |                |                                   |         |     |       |
|      | J31            | nephrite green             |         |     |                      |      |                |                                   |         |     |       |
|      |                |                            |         |     |                      |      |                |                                   |         |     |       |

- - - E N D - - -

|       |      |    |    |              |              |        |       |            |         |     |         |
|-------|------|----|----|--------------|--------------|--------|-------|------------|---------|-----|---------|
| Model | Year | MG | SG | Illustration | Restrictions | Update | 11:40 | 25.11.2005 | PORSCHE | PET | PORSCHE |
| 996   | 05   | 8  | 09 | 809-20       |              | 194    |       |            |         |     |         |



| Pos | Part Number      | Name                        | Remarks | Qty | Model |
|-----|------------------|-----------------------------|---------|-----|-------|
| 4   | A 996 552 125 02 | centre console<br>centre    | -01     | 1   |       |
|     | D05              | granite grey                | -99     |     |       |
|     | A03              | black                       | 00-     |     |       |
|     | C53              | graphite grey               | 00-     |     |       |
|     | S33              | savanna                     | 00-     |     |       |
|     | G13              | metropole blue              | 00-     |     |       |
|     | B13              | space grey                  | 00      |     |       |
|     | J33              | nephrite green              | -03     |     |       |
|     | M33              | boxster red                 | 00-     |     |       |
|     | P13              | cinnamon brown              | 01-     |     |       |
| 4   | 996 552 125 03   | centre console              | 02-     | 1   |       |
|     | A03              | black                       | 00-     |     |       |
|     | C53              | graphite grey               | 00-     |     |       |
|     | S33              | savanna                     | 00-     |     |       |
|     | G13              | metropole blue              | 00-     |     |       |
|     | J33              | nephrite green              | -03     |     |       |
|     | M33              | boxster red                 | 00-     |     |       |
|     | P13              | cinnamon brown              | 01-     |     |       |
| 4   | 996 552 125 04   | centre console<br>lacquered | 04      | 1   | M 095 |
|     | M7Z              | silver metallic             |         |     |       |
| 4   | 986 552 995 09   | centre console              | -02     | 1   | XJB   |
|     | 92U              | arctic silver metallic      |         |     |       |
| 4   | 986 552 995 09   | centre console              | 01-     | 1   | XME   |
|     | 39G              | violet metallic             | -01     |     |       |
|     | 7A6              | black-metallic              | -01     |     |       |
|     | 3W7              | dark blue                   | -01     |     |       |
|     | 23I              | wimbledon green metallic    | -01     |     |       |

|       |      |    |    |              |              |        |       |            |         |     |         |
|-------|------|----|----|--------------|--------------|--------|-------|------------|---------|-----|---------|
| Model | Year | MG | SG | Illustration | Restrictions | Update | 11:40 | 25.11.2005 | PORSCHE | PET | PORSCHE |
| 996   | 05   | 8  | 09 | 809-20       |              | 194    |       |            |         |     |         |

| Pos | Part Number    | Name                      | Remarks | Qty | Model | Pos | Part Number    | Name                          | Remarks | Qty | Model |
|-----|----------------|---------------------------|---------|-----|-------|-----|----------------|-------------------------------|---------|-----|-------|
|     | 9A3            | biarritz white            | -01     |     |       |     | T12            | brown/natural                 | 00-     |     |       |
|     | 2A2            | rainforest green metallic | -02     |     |       |     | P12            | cinnamon brown                | 01-     |     |       |
|     | 92U            | arctic silver metallic    |         |     |       | 4   | 986 552 995 05 | centre console leather        | 02-     | 1   | XMZ   |
|     | 041            | black                     |         |     |       |     | VRK            | black                         |         |     |       |
|     | 84A            | guards red                |         |     |       |     | C51            | graphite grey                 |         |     |       |
|     | 12H            | speed yellow              |         |     |       |     | S31            | savanna                       |         |     |       |
|     | 8A3            | orient red metallic       |         |     |       |     | G11            | metropole blue                |         |     |       |
|     | M5W            | lapis blue metallic       |         |     |       |     | J31            | nephrite green                |         |     |       |
|     | 6A6            | meridian metallic         |         |     |       |     | M31            | boxster red                   |         |     |       |
|     | 39C            | midnight blue metallic    |         |     |       |     | D12            | dark grey/natural             | 00-     |     |       |
|     | 6B4            | seal grey metallic        |         |     |       |     | T12            | brown/natural                 | 00-     |     |       |
|     | 2B4            | forest green metallic     |         |     |       |     | P12            | cinnamon brown                | 01-     |     |       |
|     | 3C8            | cobalt blue metallic      |         |     |       | 4   | 986 552 995 08 | centre console carbon         | 01-     | 1   | XMJ   |
|     | 92M            | polar silver metallic     |         |     |       |     |                |                               |         |     |       |
|     | 23F            | slate grey metallic       |         |     |       | 4   | 986 552 995 03 | centre console                | 01      | 1   | XML   |
|     | 1A8            | zanzibar red              |         |     |       | 4   | 986 552 995 06 | centre console rootwood light | 02-     | 1   | XML   |
|     | B9A            | carrara white             | 02-     |     |       |     |                |                               |         |     |       |
|     | C9Z            | basalt black metallic     | 02-     |     |       | 4   | 986 552 995 07 | centre console rootwood dark  | 01-     | 1   | XNB   |
|     | M6W            | lagoon green metallic     | 03-     |     |       |     |                |                               |         |     |       |
| 4   | 986 552 995 09 | centre console            | 03-     | 1   | XCE   | -   | 996 552 841 01 | sound absorber front          |         | 1   |       |
|     | V03            | sport silver              |         |     |       |     |                |                               |         |     |       |
| 4   | 986 552 995 01 | centre console            | 01      | 1   | XMZ   | -   | 996 552 843 01 | sound absorber centre         |         | 1   |       |
|     | VRK            | black                     |         |     |       | -   | 996 552 845 01 | sound absorber rear           |         | 1   |       |
|     | C51            | graphite grey             |         |     |       | (5) | 996 552 127 00 | extension leather             | /H      | 1   |       |
|     | S31            | savanna                   |         |     |       |     | A11            | black                         |         |     |       |
|     | G11            | metropole blue            |         |     |       |     | C51            | graphite grey                 |         |     |       |
|     | J31            | nephrite green            |         |     |       |     | S31            | savanna                       |         |     |       |
|     | M31            | boxster red               |         |     |       |     | G11            | metropole blue                |         |     |       |
|     | D12            | dark grey/natural         | 00-     |     |       |     |                |                               |         |     |       |

|       |      |    |    |              |              |        |       |            |         |     |         |
|-------|------|----|----|--------------|--------------|--------|-------|------------|---------|-----|---------|
| Model | Year | MG | SG | Illustration | Restrictions | Update | 11:40 | 25.11.2005 | PORSCHE | PET | PORSCHE |
| 996   | 05   | 8  | 09 | 809-20       |              | 194    |       |            |         |     |         |

| Pos | Part Number    | Name                        | Remarks | Qty | Model | Pos | Part Number    | Name                                   | Remarks | Qty | Model |
|-----|----------------|-----------------------------|---------|-----|-------|-----|----------------|--|---------|-----|-------|
|     | B51            | space grey                  | -00     |     |       | 7   | 996 552 595 02 | insert<br>ashtray<br>lacquered         | 04      | 1   | M 095 |
|     | J31            | nephrite green              | -03     |     |       |     |                |  |         |     |       |
|     | M31            | boxster red                 |         |     |       |     | M7Z            | gt silver metallic                     |         |     |       |
|     | P12            | cinnamon brown              | 01-     |     |       | 7   | 986 552 997 01 | insert<br>ashtray<br>leather           | 01-     | 1   | XMZ   |
|     | D12            | dark grey                   | 00-     |     |       |     |                |  |         |     |       |
|     | T12            | brown/natural               | 00-     |     |       |     | A11            | black                                  |         |     |       |
| (5) | 996 552 962 00 | extension<br>leather        | /H 01-  | 1   | XMZ   |     | C51            | graphite grey                          |         |     |       |
|     | VRK            | black                       |         |     |       |     | S31            | savanna                                |         |     |       |
|     | C51            | graphite grey               |         |     |       |     | G11            | metropole blue                         |         |     |       |
|     | S31            | savanna                     |         |     |       |     | J31            | nephrite green                         |         |     |       |
|     | G11            | metropole blue              |         |     |       |     | M31            | boxster red                            |         |     |       |
|     | J31            | nephrite green              | -03     |     |       |     | D12            | dark grey/natural                      |         |     |       |
|     | M31            | boxster red                 |         |     |       |     | T12            | brown/natural                          |         |     |       |
|     | D12            | dark grey/natural           |         |     |       | 7   | 986 552 997 02 | insert<br>ashtray<br>carbon            | 01-     | 1   | XMJ   |
|     | T12            | brown/natural               |         |     |       |     |                |  |         |     |       |
|     | P12            | cinnamon brown              |         |     |       | 7   | 986 552 997 03 | insert<br>ashtray<br>rootwood<br>light | 01-     | 1   | XML   |
| 6   | 999 919 121 09 | oval-head screw<br>5,0 X 16 |         | 5   |       |     |                |  |         |     |       |
| 7   | 996 552 595 01 | insert<br>ashtray           |         | 1   |       | 7   | 986 552 997 04 | insert<br>ashtray<br>rootwood<br>dark  | 01-     | 1   | XNB   |
|     | D05            | granite grey                | -99     |     |       |     |                |  |         |     |       |
|     | A03            | black                       | 00-     |     |       | 7   | 986 552 997 00 | insert<br>ashtray<br>lacquered         | 01-     | 1   |       |
|     | C53            | graphite grey               | 00-     |     |       |     | 92T            | arctic silver                          | -02     |     | XJB   |
|     | S33            | savanna                     | 00-     |     |       |     | V03            | silver                                 | 03-     |     | XCE   |
|     | G13            | metropole blue              | 00-     |     |       | 8   | 996 552 095 01 | ashtray<br>lacquered                   | -00     | 1   |       |
|     | B13            | space grey                  | 00      |     |       |     | D05            | granite grey                           | -99     |     |       |
|     | J33            | nephrite green              | -03     |     |       |     | A03            | black                                  | 00-     |     |       |
|     | M33            | boxster red                 | 00-     |     |       |     | C53            | graphite grey                          | 00-     |     |       |
|     | P13            | cinnamon brown              | 01-     |     |       |     |                |  |         |     |       |



|       |      |    |    |              |              |        |       |            |         |     |         |
|-------|------|----|----|--------------|--------------|--------|-------|------------|---------|-----|---------|
| Model | Year | MG | SG | Illustration | Restrictions | Update | 11:40 | 25.11.2005 | PORSCHE | PET | PORSCHE |
| 996   | 05   | 8  | 09 | 809-20       |              | 194    |       |            |         |     |         |

| Pos | Part Number    | Name                         | Remarks | Qty | Model | Pos | Part Number    | Name                          | Remarks | Qty | Model |
|-----|----------------|------------------------------|---------|-----|-------|-----|----------------|-------------------------------|---------|-----|-------|
|     | S33            | savanna                      | 00-     |     |       | (8) | 986 552 996 07 | ashtray<br>rootwood<br>dark   | 01-     | 1   | XNB   |
|     | G13            | metropole blue               | 00-     |     |       |     |                |                               |         |     |       |
|     | B13            | space grey                   | 00      |     |       | (8) | 986 552 996 08 | ashtray<br>carbon             | 01-     | 1   | XMJ   |
|     | J33            | nephrite green               | -03     |     |       | (8) | 986 552 996 09 | ashtray                       | 01-     | 1   | XJB   |
|     | M33            | boxster red                  | 00-     |     |       |     | 92T            | arctic silver                 | -02     |     |       |
| 8   | 996 552 095 02 | ashtray<br>lacquered         | 01-     | 1   |       |     | V03            | silver                        | 03-     |     | XCE   |
|     | A03            | black                        | 00-     |     |       | (8) | 996 552 096 01 | shelf                         |         | 1   | M 580 |
|     | C53            | graphite grey                | 00-     |     |       |     | D05            | granite grey                  | -99     |     |       |
|     | S33            | savanna                      | 00-     |     |       |     | A03            | black                         | 00-     |     |       |
|     | G13            | metropole blue               | 00-     |     |       | --  | 996 552 596 00 | insert                        |         | 1   | M 580 |
|     | J33            | nephrite green               | -03     |     |       | (9) | 999 591 941 40 | screw<br>with<br>expander nut |         | 2   |       |
|     | M33            | boxster red                  | 00-     |     |       | 10  | 996 552 365 00 | floor<br>shelf                |         | 1   |       |
| 8   | 996 552 095 03 | ashtray<br>lacquered         | 04      | 1   | M 095 | 12  | 996 552 665 00 | insert<br>shelf               |         | 1   |       |
|     | M7Z            | gt silver metallic           |         |     |       | 13  | 996 552 205 00 | cover                         |         | 1   |       |
| (8) | 986 552 996 05 | ashtray<br>leather           | 01-     | 1   | XMZ   |     | 01C            | satin black                   |         |     |       |
|     | A11            | black                        |         |     |       | 14  | 996 552 605 00 | hinge pin                     |         | 1   |       |
|     | C51            | graphite grey                |         |     |       | 15  | 996 552 813 00 | support                       |         | 2   |       |
|     | S31            | savanna                      |         |     |       | 16  | 996 552 833 00 | rubber stop                   |         | 2   |       |
|     | G11            | metropole blue               |         |     |       | 17  | 999 919 175 09 | oval-head screw<br>3,5 X 12   |         | 8   |       |
|     | J31            | nephrite green               |         |     |       | 18  | 996 552 155 03 | cover<br>leather              |         | 1   |       |
|     | M31            | boxster red                  |         |     |       |     | A11            | black                         |         |     |       |
|     | D12            | dark grey/natural            | 00-     |     |       |     | C51            | graphite grey                 |         |     |       |
|     | T12            | brown/natural                | 00-     |     |       |     | S31            | savanna                       |         |     |       |
|     | P12            | cinnamon brown               | 01-     |     |       |     | J31            | nephrite green                |         |     |       |
| (8) | 986 552 996 06 | ashtray<br>rootwood<br>light | 01-     | 1   | XML   |     | M31            | boxster red                   |         |     |       |
|     |                |                              |         |     |       |     | G11            | metropole blue                |         |     |       |

|       |      |    |    |              |              |        |       |            |         |     |         |
|-------|------|----|----|--------------|--------------|--------|-------|------------|---------|-----|---------|
| Model | Year | MG | SG | Illustration | Restrictions | Update | 11:40 | 25.11.2005 | PORSCHE | PET | PORSCHE |
| 996   | 05   | 8  | 09 | 809-20       |              | 194    |       |            |         |     |         |

| Pos | Part Number    | Name  | Remarks | Qty | Model | Pos  | Part Number    | Name              | Remarks | Qty | Model |
|-----|----------------|---|---------|-----|-------|------|----------------|-------------------|---------|-----|-------|
|     | B51            | space grey                                  | -00     |     |       | 29   | 996 552 087 05 | cover leatherette | /L -99  | 1   | M 581 |
|     | D12            | dark grey                                   | 00-     |     |       |      | A18            | black             |         |     |       |
|     | T12            | brown/natural                               | 00-     |     |       |      | C18            | graphite grey     |         |     |       |
|     | P12            | cinnamon brown                              | 01-     |     |       |      | S18            | savanna           |         |     |       |
| 18  | 996 552 965 00 | cover leather                               | 01-     | 1   | XMZ   |      | G18            | metropole blue    |         |     |       |
|     | VRK            | black                                       |         |     |       |      | B18            | space grey        |         |     |       |
|     | C51            | graphite grey                               |         |     |       | (29) | 996 552 088 05 | cover leatherette | /R -99  | 1   | M 581 |
|     | S31            | savanna                                     |         |     |       |      | A18            | black             |         |     |       |
|     | G11            | metropole blue                              |         |     |       |      | C18            | graphite grey     |         |     |       |
|     | J31            | nephrite green                              |         |     |       |      | S18            | savanna           |         |     |       |
|     | M31            | boxster red                                 |         |     |       |      | G18            | metropole blue    |         |     |       |
|     | D12            | dark grey                                   |         |     |       |      | B18            | space grey        |         |     |       |
|     | T12            | brown/natural                               |         |     |       | 29   | 996 552 087 05 | cover leatherette | /L 00-  | 1   | M 581 |
|     | P12            | cinnamon brown                              |         |     |       |      | A12            | black             |         |     |       |
| 19  | 999 920 017 40 | special nut<br>3,5 X 2,5 X 5                |         | 8   |       |      | C52            | graphite grey     |         |     |       |
| 20  | 996 552 097 01 | lock  |         | 1   |       |      | S32            | savanna           |         |     |       |
|     | 01C            | satin black                                 |         |     |       |      | G12            | metropole blue    |         |     |       |
| 21  | 996 552 907 00 | lock cylinder<br>w/o stipulated lock number |         | 1   |       |      | B52            | space grey        | -00     |     |       |
| 21  | 996 552 907 01 | lock cylinder<br>state lock number          |         | 1   |       |      | J32            | nephrite green    | 01-     |     |       |
| 23  | 996 637 211 00 | support                                     |         | 1   |       | (29) | 996 552 088 05 | cover leatherette | /R 00-  | 1   | M 581 |
| 24  | 996 613 205 00 | microswitch                                 |         | 1   |       |      | A12            | black             |         |     |       |
| 25  | 999 919 121 09 | oval-head screw<br>5 X 16                   |         | 3   |       |      | C52            | graphite grey     |         |     |       |
| 26  | 999 920 017 40 | special nut<br>3,5 X 2,5 X 5                |         | 3   |       |      | S32            | savanna           |         |     |       |
| 27  | 999 507 476 01 | clamp<br>8,0 X 10,2                         |         | 25  |       |      | G12            | metropole blue    |         |     |       |
| 28  | 996 552 695 00 | coin box                                    |         | 1   |       |      | B52            | space grey        | -00     |     |       |
|     | 01C            | satin black                                 |         |     |       |      | J32            | nephrite green    | 01-     |     |       |
|     |                |   |         |     |       | 29   | 996 552 087 03 | cover leather     | /L      | 1   | M 581 |

|       |      |    |    |              |              |        |       |            |         |     |         |
|-------|------|----|----|--------------|--------------|--------|-------|------------|---------|-----|---------|
| Model | Year | MG | SG | Illustration | Restrictions | Update | 11:40 | 25.11.2005 | PORSCHE | PET | PORSCHE |
| 996   | 05   | 8  | 09 | 809-20       |              | 194    |       |            |         |     |         |

| Pos  | Part Number    | Name               | Remarks  | Qty | Model | Pos  | Part Number    | Name                   | Remarks  | Qty | Model |
|------|----------------|--------------------|----------|-----|-------|------|----------------|------------------------|----------|-----|-------|
|      | A11            | black              |          |     |       |      | EOW            | granite grey<br>silver | 99       |     |       |
|      | C51            | graphite grey      |          |     |       |      | EOY            | black                  | 00-      |     |       |
|      | S31            | savanna            |          |     |       |      | ETR            | graphite grey          | 00-      |     |       |
|      | J31            | nephrite green     |          |     |       |      | ETS            | savanna                | 00-      |     |       |
|      | M31            | boxster red        |          |     |       |      | ETT            | metropole blue         | 00-      |     |       |
|      | G11            | metropole blue     |          |     |       |      | ETU            | space grey             | 00       |     |       |
|      | B51            | space grey         |          |     |       |      | ETV            | nephrite green         | 00-      |     |       |
|      | D12            | dark grey          | 00-      |     |       |      | ETW            | boxster red            | 00-      |     |       |
|      | T12            | brown/natural      | 00-      |     |       |      | FAO            | cinnamon brown         | 01-      |     |       |
|      | P12            | cinnamon brown     | 01-      |     |       |      |                |                        |          |     |       |
| (29) | 996 552 088 03 | cover<br>leather   | /R       | 1   | M 581 | (30) | 996 552 259 01 | cover<br>lacquered     | /RL99-02 | 1   | M 249 |
|      | A11            | black              |          |     |       |      | EOW            | granite grey<br>silver | 99       |     |       |
|      | C51            | graphite grey      |          |     |       |      | EOY            | black                  | 00-      |     |       |
|      | S31            | savanna            |          |     |       |      | ETR            | graphite grey          | 00-      |     |       |
|      | J31            | nephrite green     |          |     |       |      | ETS            | savanna                | 00-      |     |       |
|      | M31            | boxster red        |          |     |       |      | ETT            | metropole blue         | 00-      |     |       |
|      | G11            | metropole blue     |          |     |       |      | ETU            | space grey             | 00       |     |       |
|      | B51            | space grey         |          |     |       |      | ETV            | nephrite green         | 00-      |     |       |
|      | D12            | dark grey          | 00-      |     |       |      | ETW            | boxster red            | 00-      |     |       |
|      | T12            | brown/natural      | 00-      |     |       |      | FAO            | cinnamon brown         | 01-      |     |       |
|      | P12            | cinnamon brown     | 01-      |     |       | 30   | 996 552 259 02 | cover<br>lacquered     | /LL 03-  | 1   | M 249 |
| (30) | 996 552 655 01 | retaining frame    |          | 1   | M 481 |      | EOU            | black                  |          |     |       |
| 30   | 996 552 257 02 | cover<br>lacquered | /LL 98   | 1   | M 249 |      | EOZ            | graphite grey          |          |     |       |
|      | EJM            | granite grey       |          |     |       |      | EPA            | savanna                |          |     |       |
| (30) | 996 552 257 04 | cover<br>lacquered | /RL 98   | 1   | M 249 |      | EPB            | metropole blue         |          |     |       |
|      | EJM            | granite grey       |          |     |       |      | EPD            | nephrite green         | -03      |     |       |
| (30) | 996 552 259 00 | cover<br>lacquered | /LL99-02 | 1   | M 249 |      | EPE            | boxster red            |          |     |       |
|      |                |                    |          |     |       |      | EPF            | cinnamon brown         |          |     |       |

|       |      |    |    |              |              |        |       |            |         |     |         |
|-------|------|----|----|--------------|--------------|--------|-------|------------|---------|-----|---------|
| Model | Year | MG | SG | Illustration | Restrictions | Update | 11:40 | 25.11.2005 | PORSCHE | PET | PORSCHE |
| 996   | 05   | 8  | 09 | 809-20       |              | 194    |       |            |         |     |         |

| Pos  | Part Number    | Name               | Remarks  | Qty | Model     | Pos  | Part Number    | Name               | Remarks | Qty | Model    |
|------|----------------|--------------------|----------|-----|-----------|------|----------------|--------------------|---------|-----|----------|
| (30) | 996 552 259 03 | cover<br>lacquered | /RL 03-  | 1   | M 249     | 30   | 996 552 977 26 | cover<br>leather   | /LL 03- | 1   | XY5+M249 |
|      | EOU            | black              |          |     |           |      | VRK            | black              |         |     |          |
|      | EOZ            | graphite grey      |          |     |           |      | C51            | graphite grey      |         |     |          |
|      | EPA            | savanna            |          |     |           |      | S31            | savanna            |         |     |          |
|      | EPB            | metropole blue     |          |     |           |      | G11            | metropole blue     |         |     |          |
|      | EPD            | nephrite green     | -03      |     |           |      | J31            | nephrite green     |         |     |          |
|      | EPE            | boxster red        |          |     |           |      | M31            | boxster red        |         |     |          |
|      | EPF            | cinnamon brown     |          |     |           |      | P12            | cinnamon brown     |         |     |          |
| (30) | 996 552 977 20 | cover<br>leather   | /LL01-02 | 1   | XY5+M 249 |      | D12            | dark grey/natural  |         |     |          |
|      | VRK            | black              |          |     |           |      | T12            | brown/natural      |         |     |          |
|      | C51            | graphite grey      |          |     |           | (30) | 996 552 977 27 | cover<br>leather   | /RL 03- | 1   | XY5+M249 |
|      | S31            | savanna            |          |     |           |      | VRK            | black              |         |     |          |
|      | J31            | nephrite green     |          |     |           |      | C51            | graphite grey      |         |     |          |
|      | M31            | boxster red        |          |     |           |      | S31            | savanna            |         |     |          |
|      | G11            | metropole blue     |          |     |           |      | G11            | metropole blue     |         |     |          |
|      | T12            | brown/natural      |          |     |           |      | J31            | nephrite green     |         |     |          |
|      | D12            | dark grey          |          |     |           |      | M31            | boxster red        |         |     |          |
|      | P12            | cinnamon brown     |          |     |           |      | P12            | cinnamon brown     |         |     |          |
| (30) | 996 552 977 21 | cover<br>leather   | /RL01-02 | 1   | XY5+M 249 |      | D12            | dark grey/natural  |         |     |          |
|      | VRK            | black              |          |     |           |      | T12            | brown/natural      |         |     |          |
|      | C51            | graphite grey      |          |     |           | 31   | 996 552 687 00 | slide              |         | 1   | M 249    |
|      | S31            | savanna            |          |     |           |      | 01C            | satin black        |         |     |          |
|      | J31            | nephrite green     |          |     |           | 32   | 996 552 283 02 | cover<br>handbrake |         | 1   |          |
|      | M31            | boxster red        |          |     |           |      | D05            | granite grey       | -99     |     |          |
|      | G11            | metropole blue     |          |     |           |      | A03            | black              | 00-     |     |          |
|      | T12            | brown/natural      |          |     |           |      | C53            | graphite grey      | 00-     |     |          |
|      | D12            | dark grey          |          |     |           |      | S33            | savanna            | 00-     |     |          |
|      | P12            | cinnamon brown     |          |     |           |      | G13            | metropole blue     | 00-     |     |          |

|       |      |    |    |              |              |        |       |            |         |     |         |
|-------|------|----|----|--------------|--------------|--------|-------|------------|---------|-----|---------|
| Model | Year | MG | SG | Illustration | Restrictions | Update | 11:40 | 25.11.2005 | PORSCHE | PET | PORSCHE |
| 996   | 05   | 8  | 09 | 809-20       |              | 194    |       |            |         |     |         |

| Pos | Part Number    | Name                                    | Remarks | Qty | Model       | Pos  | Part Number    | Name                 | Remarks | Qty | Model       |
|-----|----------------|---|---------|-----|-------------|------|----------------|----------------------|---------|-----|-------------|
|     | B13            | space grey                              | 00      |     |             |      | A18            | black                | -99     |     |             |
|     | J33            | nephrite green                          | -03     |     |             |      | C18            | graphite grey        | -99     |     |             |
|     | M33            | boxster red                             | 00-     |     |             |      | S18            | savanna              | -99     |     |             |
|     | P13            | cinnamon brown                          | 01-     |     |             |      | G18            | metropole blue       | -99     |     |             |
| 32  | 996 552 283 03 | cover<br>handbrake<br>lacquered         | 04      | 1   | M 095       |      | B18            | space grey           | -99     |     |             |
|     | M7Z            | gt silver metallic                      |         |     |             |      | A12            | black                | 00-     |     |             |
| 32  | 996 552 993 00 | cover<br>handbrake<br>leather           | 01-     | 1   | XMZ         |      | C52            | graphite grey        | 00-     |     |             |
|     | A11            | black                                   |         |     |             |      | S32            | savanna              | 00-     |     |             |
|     | C51            | graphite grey                           |         |     |             |      | G12            | metropole blue       | 00-     |     |             |
|     | S31            | savanna                                 |         |     |             |      | B52            | space grey           | 00      |     |             |
|     | G11            | metropole blue                          |         |     |             | (33) | 996 552 090 02 | cover<br>leatherette | /R      | 1   | COUPE/TARGA |
|     | J31            | nephrite green                          |         |     |             |      | A18            | black                | -99     |     |             |
|     | M31            | boxster red                             |         |     |             |      | C18            | graphite grey        | -99     |     |             |
|     | T12            | brown/natural                           | 00-     |     |             |      | S18            | savanna              | -99     |     |             |
|     | D12            | dark grey                               | 00-     |     |             |      | G18            | metropole blue       | -99     |     |             |
|     | P12            | cinnamon brown                          | 01-     |     |             |      | B18            | space grey           | -99     |     |             |
| 32  | 996 552 993 02 | cover<br>handbrake<br>carbon            | 01-     | 1   | XMJ         |      | A12            | black                | 00-     |     |             |
|     |                |   |         |     |             |      | C52            | graphite grey        | 00-     |     |             |
| 32  | 996 552 993 03 | cover<br>handbrake<br>rootwood<br>light | 01-     | 1   | XML         |      | S32            | savanna              | 00-     |     |             |
|     |                |   |         |     |             |      | G12            | metropole blue       | 00-     |     |             |
| 32  | 996 552 993 04 | cover<br>handbrake<br>rootwood<br>dark  | 01-     | 1   | XNB         |      | B52            | space grey           | 00      |     |             |
|     |                |   |         |     |             | (33) | 996 552 089 05 | cover<br>lacquered   | /L      | 1   | CABRIO      |
| 32  | 996 552 993 01 | cover<br>handbrake<br>lacquered         | 03-     | 1   | XCE         |      | D05            | granite grey         | 99      |     |             |
|     | V03            | sport silver                            |         |     |             |      | A03            | black                | 00-     |     |             |
| 33  | 996 552 089 02 | cover<br>leatherette                    | /L      | 1   | COUPE/TARGA |      | C53            | graphite grey        | 00-     |     |             |
|     |                |   |         |     |             |      | S33            | savanna              | 00-     |     |             |

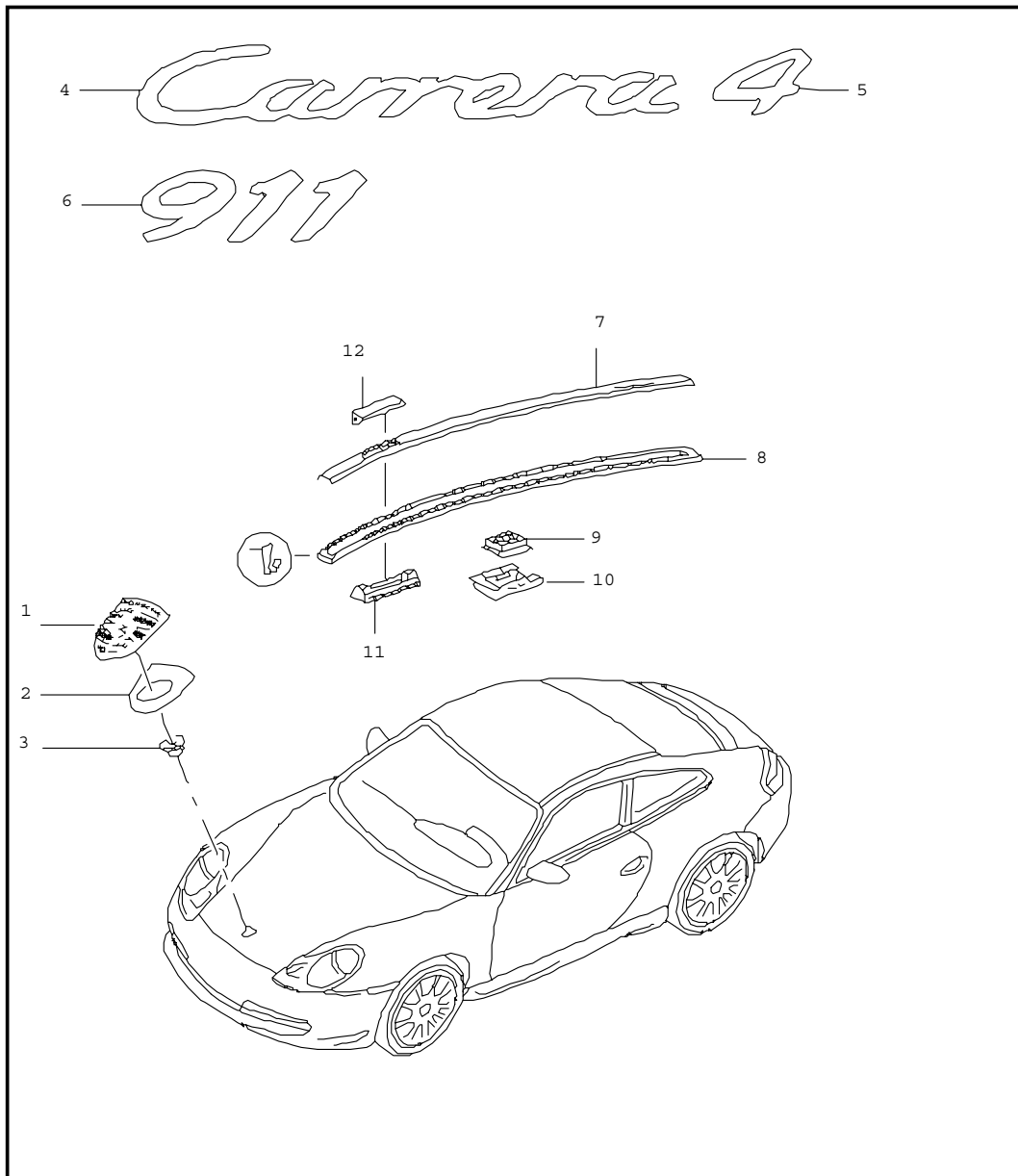
|       |      |    |    |              |              |        |       |            |         |     |         |
|-------|------|----|----|--------------|--------------|--------|-------|------------|---------|-----|---------|
| Model | Year | MG | SG | Illustration | Restrictions | Update | 11:40 | 25.11.2005 | PORSCHE | PET | PORSCHE |
| 996   | 05   | 8  | 09 | 809-20       |              | 194    |       |            |         |     |         |

| Pos  | Part Number    | Name            | Remarks | Qty | Model       | Pos  | Part Number    | Name           | Remarks | Qty | Model  |
|------|----------------|-----------------|---------|-----|-------------|------|----------------|----------------|---------|-----|--------|
|      | G13            | metropole blue  | 00-     |     |             |      | C51            | graphite grey  |         |     |        |
|      | J33            | nephrite green  | 00-     |     |             |      | S31            | savanna        |         |     |        |
|      | M33            | boxster red     | 00-     |     |             |      | J31            | nephrite green | -03     |     |        |
|      | B13            | space grey      | 00      |     |             |      | M31            | boxster red    |         |     |        |
|      | P13            | cinnamon brown  | 01-     |     |             |      | G11            | metropole blue |         |     |        |
| (33) | 996 552 090 05 | cover lacquered | /R      | 1   | CABRIO      |      | B51            | space grey     | -00     |     |        |
|      | D05            | granite grey    | 99      |     |             |      | D12            | dark grey      | 00-     |     |        |
|      | A03            | black           | 00-     |     |             |      | T12            | brown/natural  | 00-     |     |        |
|      | C53            | graphite grey   | 00-     |     |             |      | P12            | cinnamon brown | 01-     |     |        |
|      | S33            | savanna         | 00-     |     |             | 33   | 996 552 089 04 | cover leather  | /L      | 1   | CABRIO |
|      | G13            | metropole blue  | 00-     |     |             |      | A11            | black          |         |     |        |
|      | J33            | nephrite green  | 00-     |     |             |      | C51            | graphite grey  |         |     |        |
|      | M33            | boxster red     | 00-     |     |             |      | S31            | savanna        |         |     |        |
|      | B13            | space grey      | 00      |     |             |      | J31            | nephrite green | -03     |     |        |
|      | P13            | cinnamon brown  | 01-     |     |             |      | M31            | boxster red    |         |     |        |
| 33   | 996 552 089 03 | cover leather   | /L      | 1   | COUPE/TARGA |      | G11            | metropole blue |         |     |        |
|      | A11            | black           |         |     |             |      | B51            | space grey     | -00     |     |        |
|      | C51            | graphite grey   |         |     |             |      | D12            | dark grey      | 00-     |     |        |
|      | S31            | savanna         |         |     |             |      | T12            | brown/natural  | 00-     |     |        |
|      | J31            | nephrite green  | -03     |     |             |      | P12            | cinnamon brown | 01-     |     |        |
|      | M31            | boxster red     |         |     |             | (33) | 996 552 090 04 | cover leather  | /R      | 1   | CABRIO |
|      | G11            | metropole blue  |         |     |             |      | A11            | black          |         |     |        |
|      | B51            | space grey      | -00     |     |             |      | C51            | graphite grey  |         |     |        |
|      | D12            | dark grey       | 00-     |     |             |      | S31            | savanna        |         |     |        |
|      | T12            | brown/natural   | 00-     |     |             |      | J31            | nephrite green | -03     |     |        |
|      | P12            | cinnamon brown  | 01-     |     |             |      | M31            | boxster red    |         |     |        |
| (33) | 996 552 090 03 | cover leather   | /R      | 1   | COUPE/TARGA |      | G11            | metropole blue |         |     |        |
|      | A11            | black           |         |     |             |      | B51            | space grey     | -00     |     |        |

|       |      |    |    |              |              |        |       |            |         |     |         |
|-------|------|----|----|--------------|--------------|--------|-------|------------|---------|-----|---------|
| Model | Year | MG | SG | Illustration | Restrictions | Update | 11:40 | 25.11.2005 | PORSCHE | PET | PORSCHE |
| 996   | 05   | 8  | 09 | 809-20       |              | 194    |       |            |         |     |         |

| Pos  | Part Number    | Name                                      | Remarks | Qty | Model | Pos | Part Number | Name | Remarks | Qty | Model |
|------|----------------|---|---------|-----|-------|-----|-------------|------|---------|-----|-------|
|      | D12            | dark grey                                 | 00-     |     |       |     |             |      |         |     |       |
|      | T12            | brown/natural                             | 00-     |     |       |     |             |      |         |     |       |
|      | P12            | cinnamon brown                            | 01-     |     |       |     |             |      |         |     |       |
| 36   | 996 552 691 00 | retaining belt<br>with<br>retaining pin   |         | 1   |       |     |             |      |         |     |       |
| (36) | 996 552 960 01 | hinge<br>set<br>repair material           | -01     | 1   |       |     |             |      |         |     |       |
| (36) | 996 552 507 00 | hinge                                     | 02-     | 1   |       |     |             |      |         |     |       |
| --   | 999 073 228 09 | tapping screw<br>4,8 X 13                 | 02-     | 2   |       |     |             |      |         |     |       |
| 37   | 996 552 795 01 | spring                                    |         | 1   |       |     |             |      |         |     |       |
| 38   | 996 552 793 01 | retaining bracket<br>package box<br>cover |         | 1   |       |     |             |      |         |     |       |
| 39   | 999 507 645 02 | threaded piece                            |         | 2   |       |     |             |      |         |     |       |
| 40   | 999 073 081 02 | tapping screw<br>4,2 X 13                 |         | 2   |       |     |             |      |         |     |       |
|      |                | - - - E N D - - -                         |         |     |       |     |             |      |         |     |       |

|       |      |    |    |              |              |        |       |            |         |     |         |
|-------|------|----|----|--------------|--------------|--------|-------|------------|---------|-----|---------|
| Model | Year | MG | SG | Illustration | Restrictions | Update | 11:40 | 25.11.2005 | PORSCHE | PET | PORSCHE |
| 996   | 05   | 8  | 10 | 810-00       |              | 194    |       |            |         |     |         |



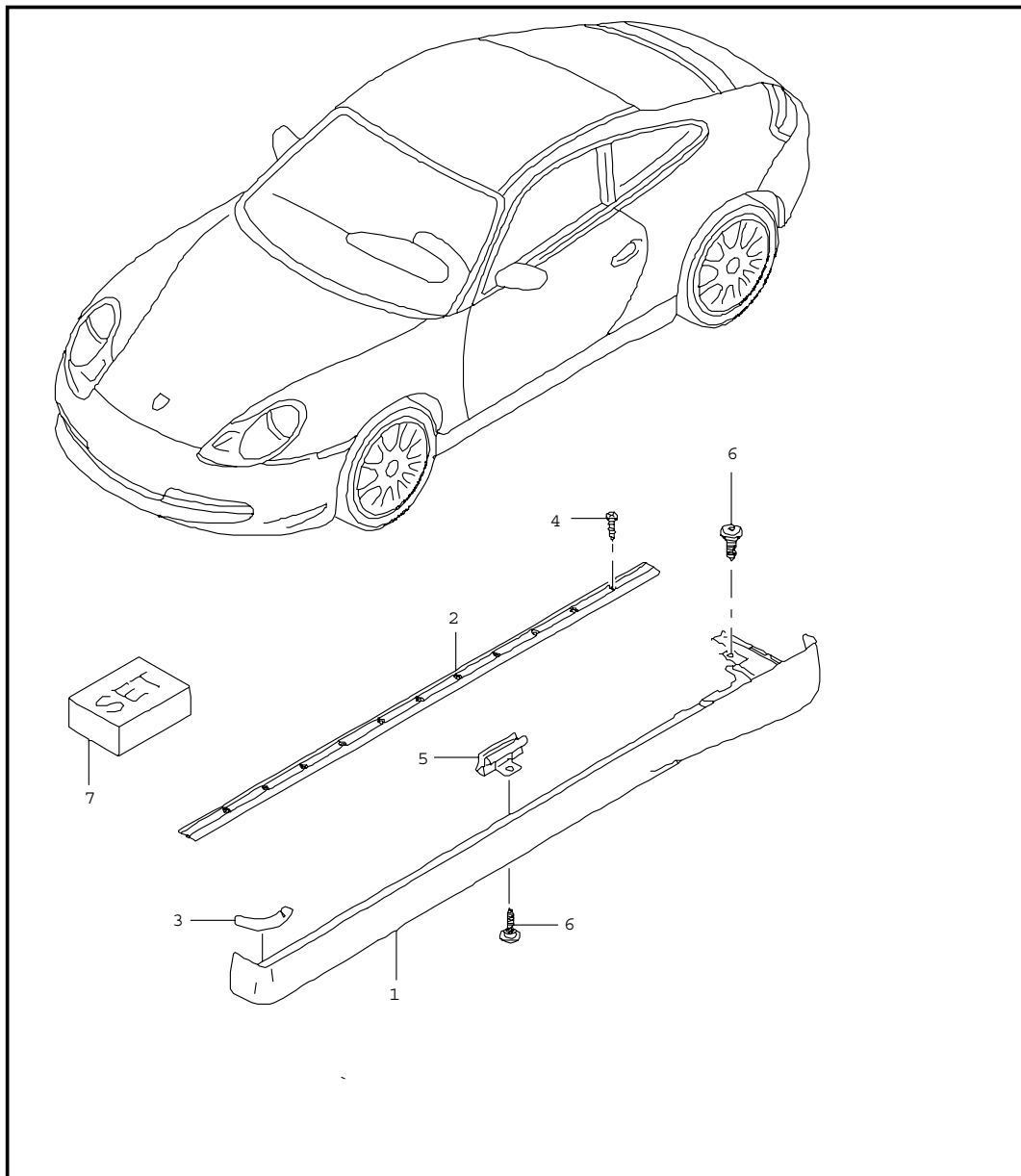
| Pos | Part Number    | Name                            | Remarks | Qty | Model    |
|-----|----------------|---------------------------------|---------|-----|----------|
|     |                | insignias decorative fittings   |         |     |          |
| 1   | 993 559 211 00 | lid emblem                      | -00     | 1   |          |
| 1   | 996 559 211 00 | lid emblem                      | 01-     | 1   |          |
| 2   | 901 559 215 20 | desk pad                        | -02     | 1   |          |
| 2   | 7L5 853 611 B  | desk pad                        | 03-     | 1   |          |
| 3   | 999 591 423 03 | tapping nut                     |         | 2   |          |
| 4   | 996 559 237 06 | logo * CARRERA * rear lid upper | -01     | 1   | M338     |
|     | 70C            | rally black                     |         |     |          |
| 4   | 996 559 237 06 | logo * CARRERA * rear lid upper | 04-     | 1   | MXAA/338 |
|     | 70C            | rally black                     |         |     |          |
| 4   | 996 559 237 09 | logo *CARRERA * rear lid lower  | 02-     | 1   | M338     |
|     | 70C            | rally black                     |         |     |          |
| (4) | 996 559 237 07 | logo * CARRERA * rear lid upper | -01     | 1   | M339     |
|     | 4PU            | silver                          |         |     |          |
| (4) | 996 559 237 07 | logo * CARRERA * rear lid upper | 02-     | 1   | C4S/M339 |
|     | 4PU            | silver                          |         |     |          |
| (4) | 996 559 237 07 | logo * CARRERA * rear lid upper | 04-     | 1   | XAA/M339 |
|     | 4PU            | silver                          |         |     |          |



|       |      |    |    |              |              |        |       |            |         |     |         |
|-------|------|----|----|--------------|--------------|--------|-------|------------|---------|-----|---------|
| Model | Year | MG | SG | Illustration | Restrictions | Update | 11:40 | 25.11.2005 | PORSCHE | PET | PORSCHE |
| 996   | 05   | 8  | 10 | 810-00       |              | 194    |       |            |         |     |         |

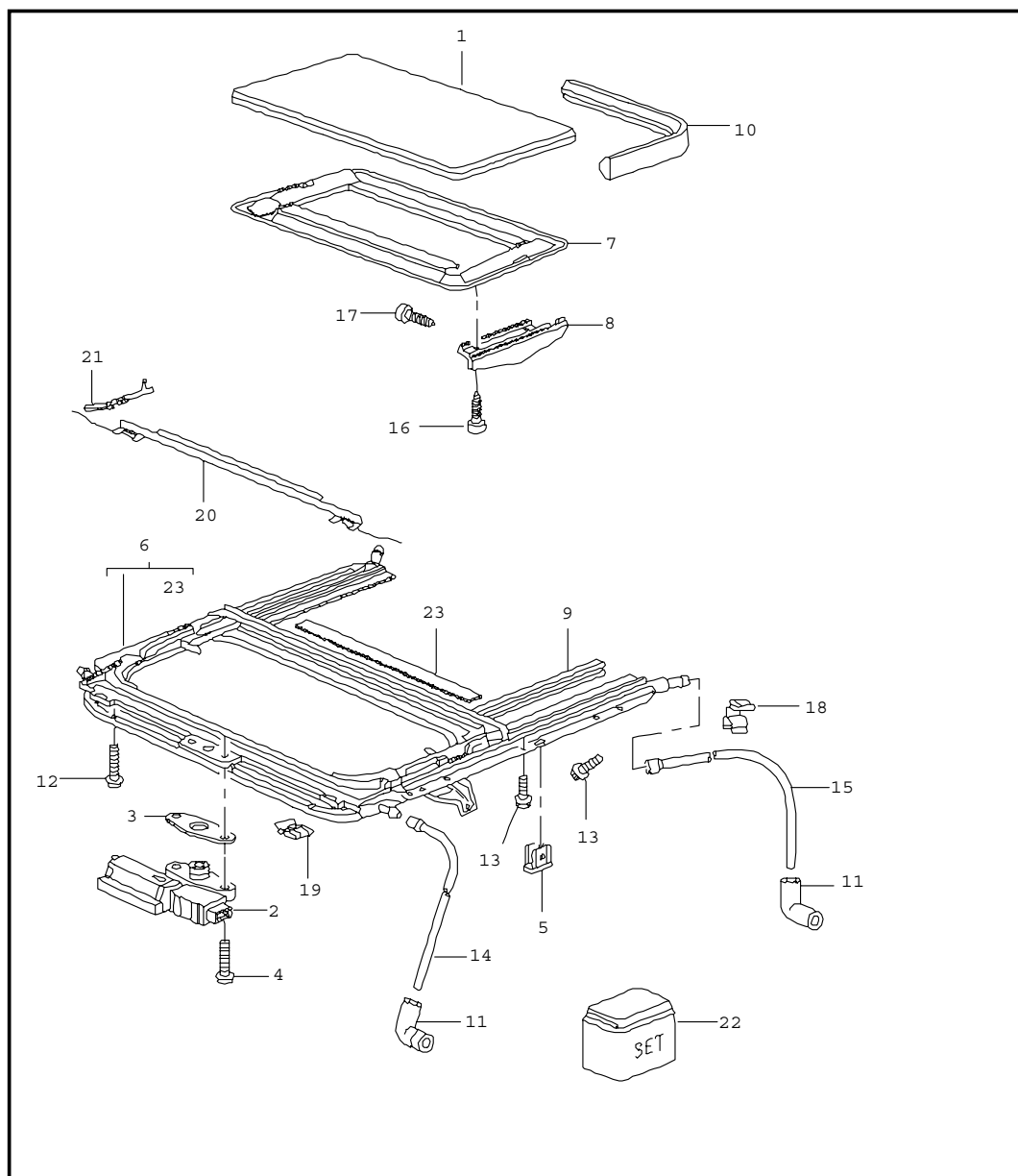
| Pos | Part Number    | Name   | Remarks | Qty | Model    | Pos  | Part Number    | Name                   | Remarks           | Qty | Model |
|-----|----------------|--|---------|-----|----------|------|----------------|------------------------|-------------------|-----|-------|
| (4) | 996 559 237 10 | logo<br>* CARRERA *<br>rear lid<br>lower<br>4PU silver | 02-     | 1   | M339     |      | G2X            | prime coated           |                   |     |       |
|     |                |  |         |     |          | (8)  | 996 559 721 00 | gasket                 | /L                | 1   |       |
|     |                |  |         |     |          | 8    | 996 559 722 00 | gasket                 | /R                | 1   |       |
| 5   | 996 559 241 01 | logo<br>* 4 *<br>rear lid<br>upper<br>4PU silver       | -01     | 1   | M339     | 9    | 996 559 403 01 | clip                   |                   | 10  |       |
|     |                |  |         |     |          | 10   | 996 559 405 01 | adapter                |                   | 10  |       |
|     |                |  |         |     |          | 11   | 996 559 729 00 | bracket<br>for<br>flap |                   | 4   |       |
| 5   | 996 559 241 01 | logo<br>* 4 *<br>rear lid<br>upper<br>4PU silver       | 02-     | 1   | C4S/M339 | 12   | 996 559 501 00 | flap                   | /V                | 2   |       |
|     |                |  |         |     |          |      | G2X            | prime coated           |                   |     |       |
|     |                |  |         |     |          | (12) | 996 559 503 00 | flap                   | /H                | 2   |       |
|     |                |  |         |     |          |      | G2X            | prime coated           |                   |     |       |
| 5   | 996 559 241 01 | logo<br>* 4 *<br>rear lid<br>upper<br>4PU silver       | 04-     | 1   | XAA/M339 |      |                |                        | - - - E N D - - - |     |       |
| (5) | 996 559 241 02 | logo<br>* 4 *<br>rear lid<br>lower<br>4PU silver       | 02-     | 1   | M339     |      |                |                        |                   |     |       |
| -   | 996 559 243 00 | logo<br>* S *<br>D04 grey                              | 02-     | 1   | C4S      |      |                |                        |                   |     |       |
| -   | 996 559 237 08 | logo<br>* TARGA *<br>70C rally black                   | 02-     | 1   | TARGA    |      |                |                        |                   |     |       |
| 6   | 996 559 237 05 | logo<br>911<br>silver                                  | 00      | 1   | M094     |      |                |                        |                   |     |       |
| (6) | 996 559 237 11 | logo<br>911  | 04      | 1   | M095     |      |                |                        |                   |     |       |
| (7) | 996 559 401 00 | roof edge strip<br>G2X prime coated                    | /L      | 1   |          |      |                |                        |                   |     |       |
| (7) | 996 559 402 00 | roof edge strip  | /R      | 1   |          |      |                |                        |                   |     |       |

|       |      |    |    |              |              |        |       |            |         |     |         |
|-------|------|----|----|--------------|--------------|--------|-------|------------|---------|-----|---------|
| Model | Year | MG | SG | Illustration | Restrictions | Update | 11:41 | 25.11.2005 | PORSCHE | PET | PORSCHE |
| 996   | 05   | 8  | 10 | 810-05       |              | 194    |       |            |         |     |         |



| Pos               | Part Number    | Name                                      | Remarks | Qty | Model   |
|-------------------|----------------|---|---------|-----|---------|
|                   |                | sill cover                                |         |     | X 76    |
| 1                 | 996 559 983 02 | sill cover                                | /L -    | 1   |         |
|                   | G2X            | prime coated                              |         |     |         |
| (1)               | 996 559 984 02 | sill cover                                | /R -    | 1   |         |
|                   | G2X            | prime coated                              |         |     |         |
| 1                 | 996 559 983 03 | sill cover                                | /L 0    | 1   | XAA/X76 |
|                   | G2X            | prime coated                              |         |     |         |
| (1)               | 996 559 984 03 | sill cover                                | /R 0    | 1   | XAA/X76 |
|                   | G2X            | prime coated                              |         |     |         |
| 2                 | 996 559 982 00 | retaining strip                           |         | 2   |         |
| 3                 | 996 559 985 01 | adhesive film                             | /L -02  | 1   |         |
| (3)               | 996 559 986 01 | adhesive film                             | /R -02  | 1   |         |
| (3)               | 986 559 990 02 | adhesive film                             | 03-     | 2   |         |
| 4                 | 900 145 041 07 | counters. head tapp. screw<br>ST 3,5 X 16 |         | 22  |         |
| 5                 | 999 507 640 09 | u-clamp                                   |         | 18  |         |
| 6                 | 999 073 231 09 | tapping screw<br>4,8 X 16                 |         | 20  |         |
| 6                 | 999 073 061 02 | tapping screw<br>4,8 X 16                 |         | 2   |         |
| 7                 | 000 044 000 37 | adhesive set                              |         | 1   |         |
| - - - E N D - - - |                |   |         |     |         |

|       |      |    |    |              |              |        |       |            |         |     |         |
|-------|------|----|----|--------------|--------------|--------|-------|------------|---------|-----|---------|
| Model | Year | MG | SG | Illustration | Restrictions | Update | 11:41 | 25.11.2005 | PORSCHE | PET | PORSCHE |
| 996   | 05   | 8  | 11 | 811-00       |              | 194    |       |            |         |     |         |

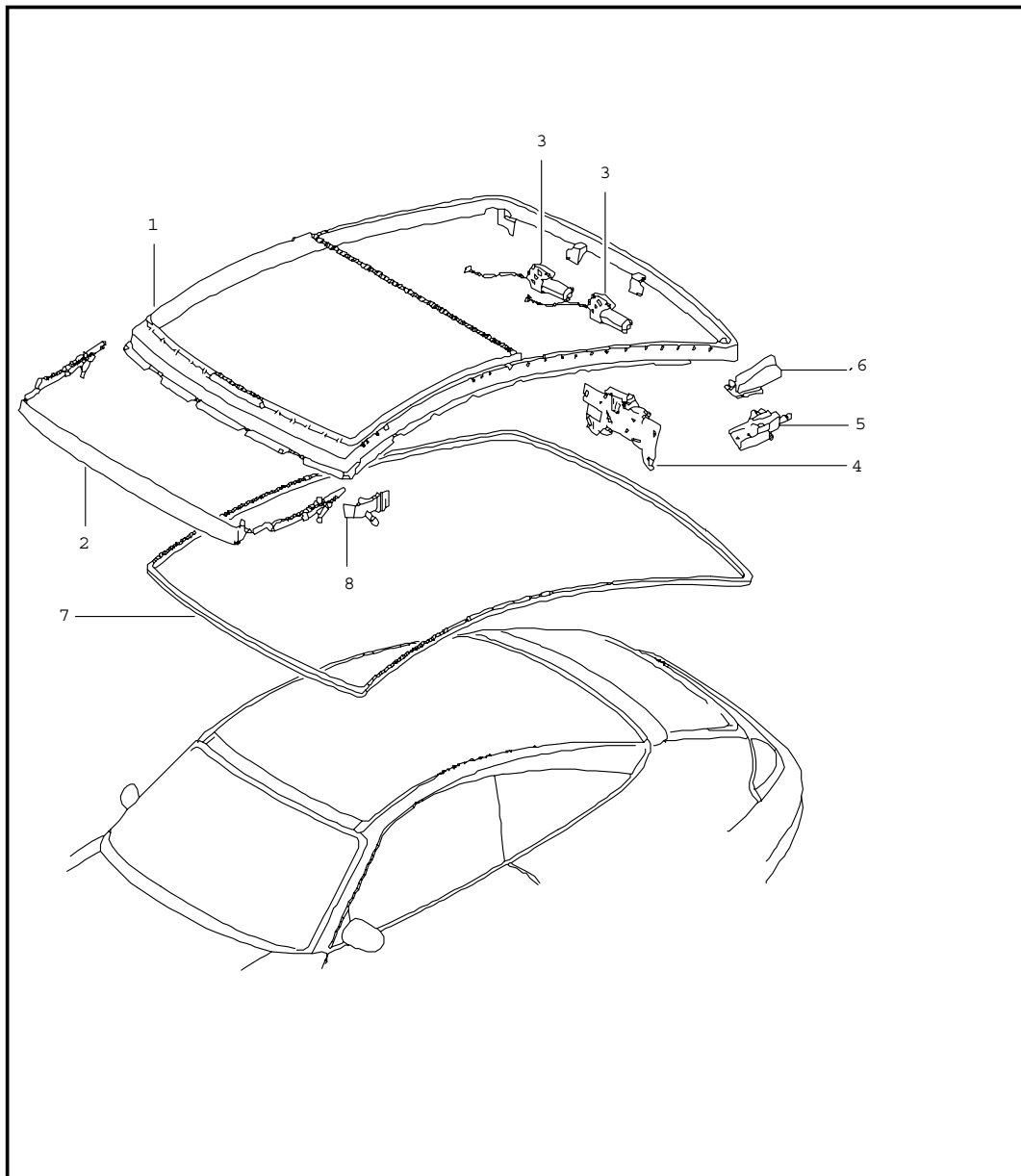


| Pos | Part Number      | Name  | Remarks | Qty | Model |
|-----|------------------|---|---------|-----|-------|
| 1   | 996 564 941 01   | sunroof cover                                 |         | 1   | M 650 |
|     |                  | GRV prime coated                              |         |     |       |
| 2   | A 996 624 211 02 | driving mechanism                             |         | 1   |       |
| 2   | 997 624 211 00   | driving mechanism                             |         | 1   |       |
| 3   | 996 564 213 00   | spacer  |         | 1   |       |
| 4   | 999 073 135 07   | oval-head screw                               |         | 2   |       |
| 5   | 999 703 258 41   | clip  |         | 2   |       |
| 6   | 996 564 015 02   | frame complete for cars up to 01.01 use also: |         | 1   |       |
| -   | 996 564 915 00   | assembly kit                                  |         | 1   |       |
| 7   | 996 564 021 01   | roof lining                                   | -99     | 1   |       |
|     |                  | A10 black                                     |         |     |       |
|     |                  | B50 space grey                                |         |     |       |
|     |                  | C50 graphite grey                             |         |     |       |
|     |                  | G10 metropole blue                            |         |     |       |
|     |                  | S30 savanna                                   |         |     |       |
| 7   | 996 564 021 02   | roof lining                                   | 00      | 1   |       |
|     |                  | A14 black                                     |         |     |       |
|     |                  | C54 graphite grey                             |         |     |       |
|     |                  | G14 metropole blue                            |         |     |       |
|     |                  | S34 savanna                                   |         |     |       |
| 7   | 996 564 021 03   | roof lining                                   | 01-     | 1   |       |
|     |                  | A14 black                                     |         |     |       |
|     |                  | C54 graphite grey                             |         |     |       |
|     |                  | S34 savanna                                   |         |     |       |
|     |                  | G14 metropole blue                            |         |     |       |
|     |                  | J34 nephrite green                            |         |     |       |

|       |      |    |    |              |              |        |       |            |         |     |         |
|-------|------|----|----|--------------|--------------|--------|-------|------------|---------|-----|---------|
| Model | Year | MG | SG | Illustration | Restrictions | Update | 11:41 | 25.11.2005 | PORSCHE | PET | PORSCHE |
| 996   | 05   | 8  | 11 | 811-00       |              | 194    |       |            |         |     |         |

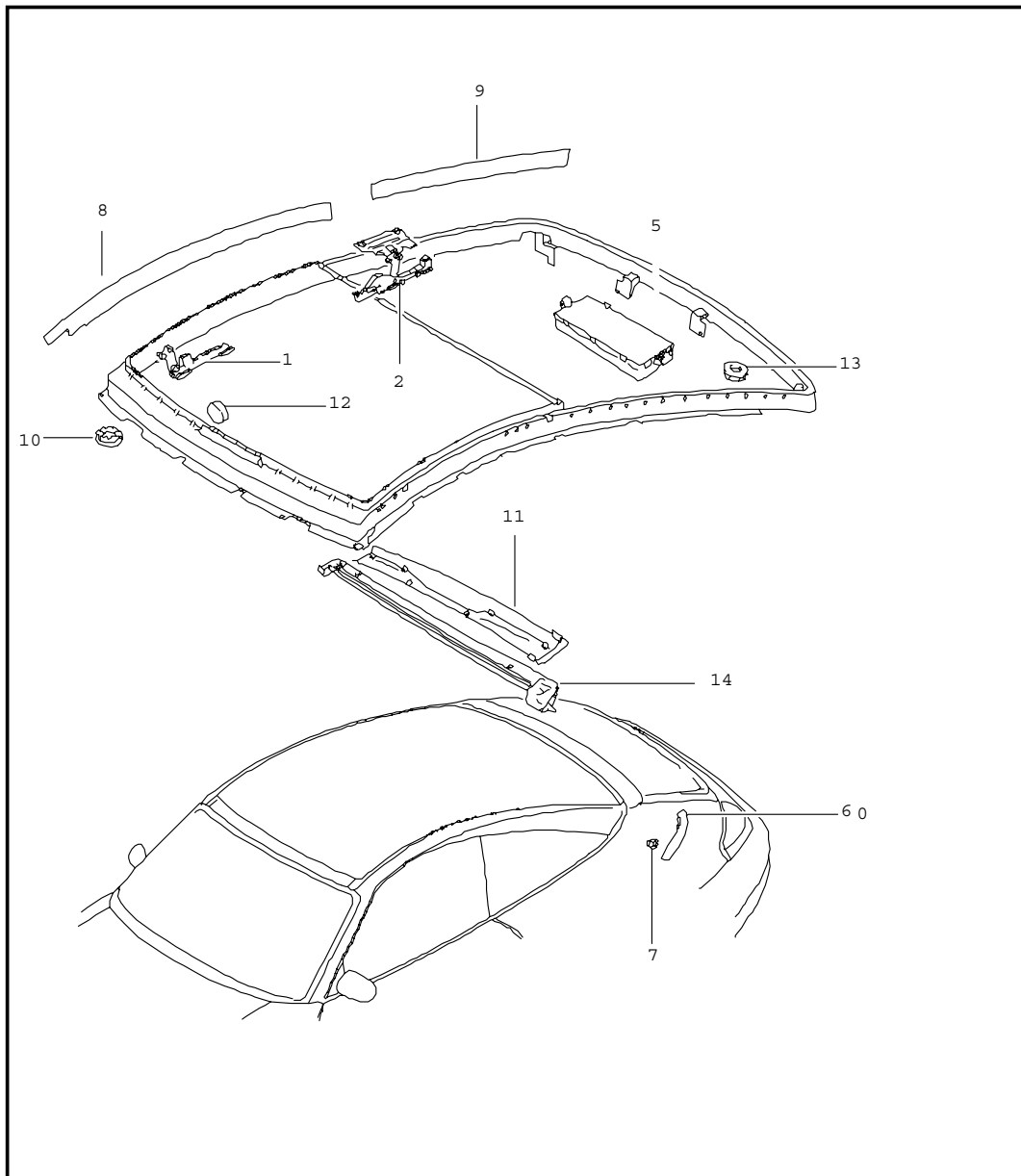
| Pos | Part Number    | Name                              | Remarks | Qty | Model | Pos  | Part Number    | Name                                 | Remarks | Qty | Model |
|-----|----------------|-----------------------------------|---------|-----|-------|------|----------------|--------------------------------------|---------|-----|-------|
| 7   | 996 564 021 04 | roof lining<br>alcantara          |         | 1   |       | 13   | 999 073 130 02 | oval-head screw<br>M6X16             |         | 6   |       |
|     | A14            | black                             |         |     |       | 14   | 996 564 207 00 | water drain hose<br>front            |         | 2   |       |
|     | C54            | graphite grey                     |         |     |       | 15   | 996 564 237 01 | water drain hose<br>rear             |         | 2   |       |
|     | G14            | metropole blue                    |         |     |       | 16   | 900 143 133 07 | oval-head sheetmetal screw           |         | 4   |       |
|     | S34            | savanna                           |         |     |       | 17   | 996 564 245 00 | screw                                |         | 4   |       |
|     | J34            | nephrite green                    |         |     |       | 18   | 999 507 631 02 | cable holder                         |         | 6   |       |
| 7   | 996 564 983 00 | roof lining<br>leather            | 02-     | 1   |       | 19   | 999 591 348 02 | speed nut                            |         | 2   |       |
|     | A11            | black                             |         |     |       | 20   | 996 564 161 02 | air deflector                        |         | 1   |       |
|     | C51            | graphite grey                     |         |     |       | 21   | 996 564 521 01 | hinge                                |         | 1   |       |
|     | S31            | savanna                           |         |     |       | (21) | 996 564 522 01 | hinge                                |         | 1   |       |
|     | G11            | metropole blue                    |         |     |       | --   | 996 564 950 00 | sound absorber<br>for<br>roof lining |         | 1   |       |
|     | J31            | nephrite green                    |         |     |       | 22   | 996 564 915 00 | assembly kit<br>for<br>frame         |         | 1   |       |
|     | M31            | boxster red                       |         |     |       | 23   | 996 564 907 01 | protective edging                    |         | 1   |       |
|     | D12            | dark grey/natural                 |         |     |       |      |                | - - - E N D - - -                    |         |     |       |
|     | T12            | natural brown                     |         |     |       |      |                |                                      |         |     |       |
| 8   | 996 564 181 00 | cover<br>outer                    | /L      | 1   |       |      |                |                                      |         |     |       |
|     | 01C            | black                             |         |     |       |      |                |                                      |         |     |       |
| (8) | 996 564 182 00 | cover<br>outer                    | /R      | 1   |       |      |                |                                      |         |     |       |
|     | 01C            | black                             |         |     |       |      |                |                                      |         |     |       |
| 9   | 996 564 241 00 | cover<br>inner                    | /R      | 1   |       |      |                |                                      |         |     |       |
| (9) | 996 564 242 00 | cover<br>inner                    | /L      | 1   |       |      |                |                                      |         |     |       |
| 10  | 996 564 211 01 | gasket                            | -01     | 1   |       |      |                |                                      |         |     |       |
| 10  | 996 564 211 01 | gasket                            | 02-     | 1   |       |      |                |                                      |         |     |       |
| 11  | 999 702 248 41 | grommet                           |         | 4   |       |      |                |                                      |         |     |       |
| 12  | 999 073 131 02 | oval-head screw<br>M6X25<br>M6X30 |         | 4   |       |      |                |                                      |         |     |       |

|       |      |    |    |              |              |        |       |            |         |     |         |
|-------|------|----|----|--------------|--------------|--------|-------|------------|---------|-----|---------|
| Model | Year | MG | SG | Illustration | Restrictions | Update | 11:41 | 25.11.2005 | PORSCHE | PET | PORSCHE |
| 996   | 05   | 8  | 11 | 811-01       |              | 194    |       |            |         |     |         |



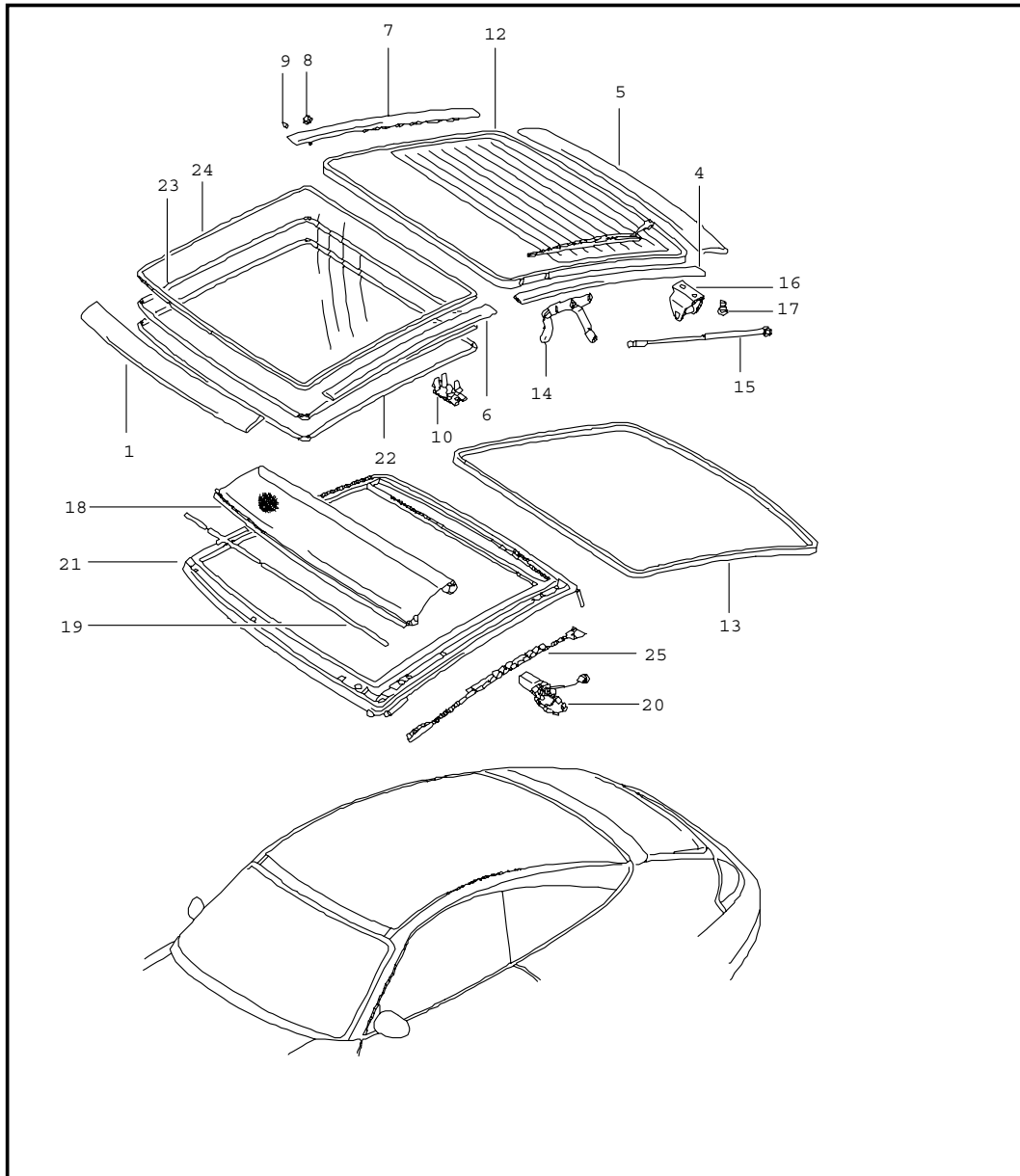
| Pos | Part Number    | Name                              | Remarks | Qty | Model |
|-----|----------------|-----------------------------------|---------|-----|-------|
|     |                | glass roof                        |         |     | TARGA |
| 1   | 996 562 905 01 | frame                             |         | 1   |       |
| 2   | 996 562 953 00 | air deflector                     |         | 1   |       |
| 3   | 996 624 221 00 | engine                            |         | 2   |       |
| --  | 996 562 315 00 | cable                             | /L      | 1   |       |
| --  | 996 562 316 00 | cable                             | /R      | 1   |       |
| 4   | 996 562 335 00 | catch                             |         | 1   |       |
| 5   | 996 562 439 00 | water drain tube                  | /L      | 1   |       |
| (5) | 996 562 440 00 | water drain tube                  | /R      | 1   |       |
| --  | 999 190 172 30 | blind rivet                       |         | 2   |       |
| 6   | 996 562 437 00 | cover                             | /L      | 1   |       |
| (6) | 996 562 438 00 | cover                             | /R      | 1   |       |
| 7   | 996 562 425 00 | sealing strap                     |         | 1   |       |
| 8   | 996 562 401 00 | water drain tube                  | /L      | 1   |       |
| 8   | 996 562 402 00 | water drain tube                  | /R      | 1   |       |
| --  | 996 562 203 01 | water drain hose                  |         | 2   |       |
| --  | 996 612 344 00 | wiring harness<br>shade           |         | 1   |       |
| --  | 000 043 157 00 | cleaning agents<br>30 ML          |         | 1   |       |
| --  | 999 703 488 40 | buffer                            |         | 2   |       |
| --  | 996 562 913 00 | guide tube<br>with<br>drive shaft |         | 1   |       |
|     |                | - - - E N D - - -                 |         |     |       |

|       |      |    |    |              |              |        |       |            |         |     |         |
|-------|------|----|----|--------------|--------------|--------|-------|------------|---------|-----|---------|
| Model | Year | MG | SG | Illustration | Restrictions | Update | 11:41 | 25.11.2005 | PORSCHE | PET | PORSCHE |
| 996   | 05   | 8  | 11 | 811-02       |              | 194    |       |            |         |     |         |



| Pos | Part Number    | Name                            | Remarks | Qty | Model |
|-----|----------------|---------------------------------|---------|-----|-------|
|     |                | glass roof<br>driving mechanism |         |     | TARGA |
| 1   | 996 562 351 00 | knock-out lever                 | /L F>>  | 1   |       |
| (1) | 996 562 352 00 | knock-out lever                 | /R F>>  | 1   |       |
| --  | 999 166 011 02 | lock                            |         | 2   |       |
| --  | 996 562 906 00 | repair kit<br>knock-out lever   | F99     | 1   |       |
| 5   | 996 618 241 00 | control unit                    |         | 1   |       |
| --  | 996 612 343 00 | wiring harness                  |         | 1   |       |
| 6   | 996 562 541 00 | cover                           | /L      | 1   |       |
|     |                | GRV prime coated                |         |     |       |
| (6) | 996 562 542 00 | cover                           | /R      | 1   |       |
|     |                | GRV prime coated                |         |     |       |
| 7   | 893 853 231 A  | clamping bush                   |         | 4   |       |
| 8   | 996 562 407 00 | cover                           | /L      | 1   |       |
| (8) | 996 562 408 00 | cover                           | /R      | 1   |       |
| 9   | 996 562 911 00 | cover                           | /L      | 1   |       |
| 9   | 996 562 404 00 | cover                           | /R      | 1   |       |
| 10  | 999 703 866 40 | cap                             |         | 3   |       |
| 11  | 996 562 943 00 | lining                          |         | 1   |       |
| 12  | 986 561 633 01 | buffer                          |         | 2   |       |
| 13  | 999 084 456 09 | nut                             |         | X   |       |
| 14  | 996 562 459 00 | profile strip                   |         | 1   |       |
| --  | 996 562 427 00 | bracket<br>for<br>profile strip |         | 1   |       |
|     |                | - - - E N D - - -               |         |     |       |

|       |      |    |    |              |              |        |       |            |         |     |         |
|-------|------|----|----|--------------|--------------|--------|-------|------------|---------|-----|---------|
| Model | Year | MG | SG | Illustration | Restrictions | Update | 11:41 | 25.11.2005 | PORSCHE | PET | PORSCHE |
| 996   | 05   | 8  | 11 | 811-03       |              | 194    |       |            |         |     |         |



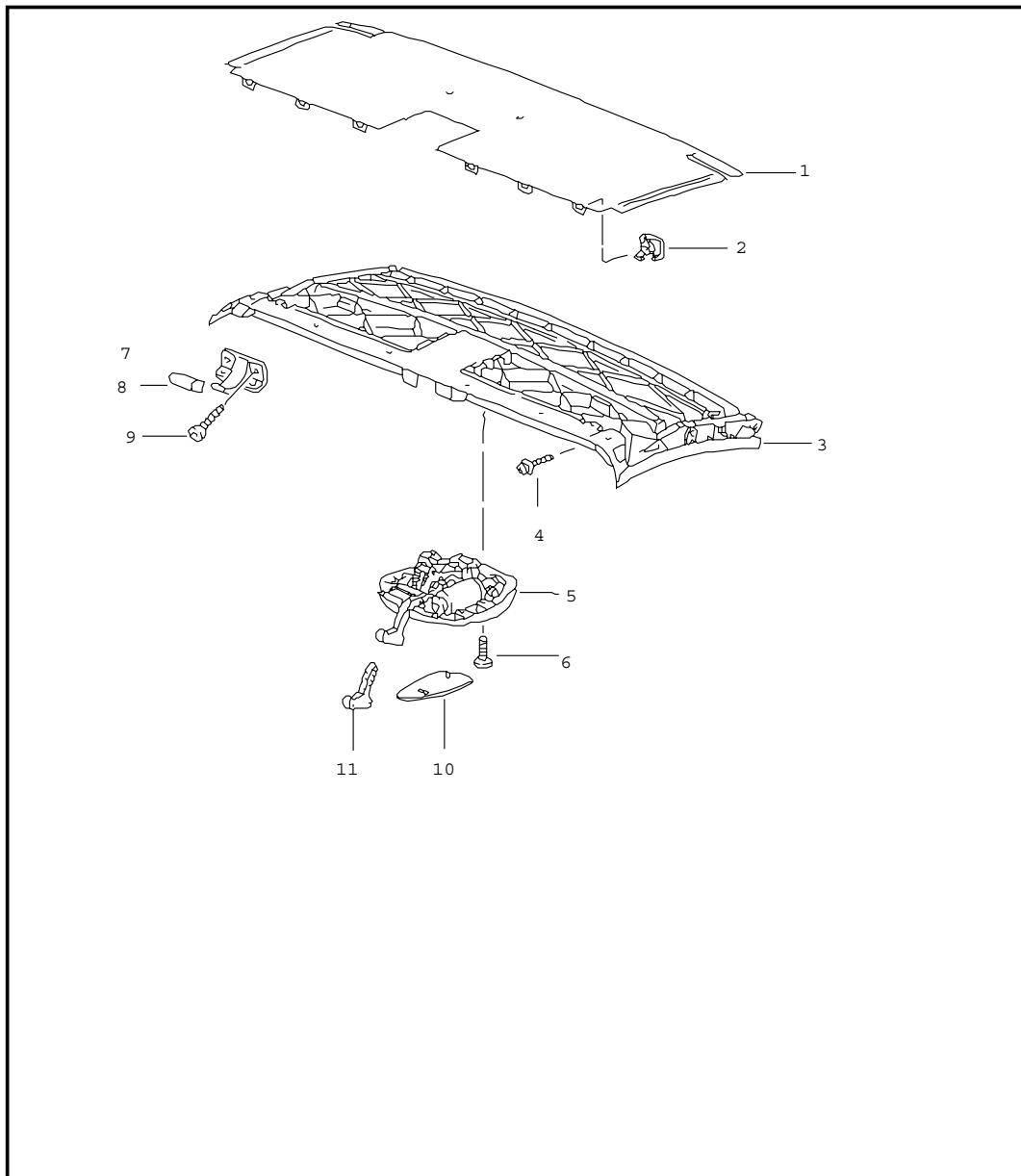
| Pos  | Part Number    | Name               | Remarks | Qty | Model |
|------|----------------|--------------------|---------|-----|-------|
|      |                | glass roof linings |         |     | TARGA |
| 1    | 996 562 021 00 | cover cowl         |         | 1   |       |
| 2    | 996 562 523 00 | gasket cover cowl  |         | 1   |       |
| 3    | 999 919 207 09 | oval-head screw    |         | 3   |       |
| 4    | 996 562 651 00 | trim               | /L      | 1   |       |
| (4)  | 996 562 652 00 | trim               | /R      | 1   |       |
| 5    | 996 562 653 00 | trim               | /H      | 1   |       |
| (5)  | 996 562 928 00 | trim rear window   | /H      | 1   |       |
| 6    | 996 562 303 00 | cover strip        | /L      | 1   |       |
| (6)  | 996 562 304 00 | cover strip        | /R      | 1   |       |
| 7    | 996 562 341 00 | cover              |         | 1   |       |
| (7)  | 996 562 342 00 | cover              | /R      | 1   |       |
| 8    | 999 076 073 07 | hexagon nut        |         | 2   |       |
| 9    | 900 228 017 09 | threaded pin       |         | 2   |       |
| 10   | 996 562 409 00 | clip               |         | X   |       |
| 12   | 996 562 323 00 | rear lid           |         | 1   |       |
| 12   | 996 562 323 01 | rear lid           |         | 1   | M 425 |
| 13   | 996 562 337 00 | gasket             |         | 1   |       |
| 14   | 996 562 319 00 | hinge              | /L      | 1   |       |
| (14) | 996 562 320 00 | hinge              | /R      | 1   |       |
| 15   | 996 562 429 00 | gas-filled strut   | /L      | 1   |       |
| (15) | 996 562 430 00 | gas-filled strut   | /R      | 1   |       |
| 16   | 996 562 325 00 | clip               |         | 1   |       |
| --   | 996 562 461 00 | cap                |         | 1   |       |
| 17   | 900 228 017 09 | stud               |         | 2   |       |
| 18   | 996 562 405 00 | shade              |         | 1   |       |
| --   | 996 562 431 00 | cable              |         | 1   |       |

|       |      |    |    |              |              |        |       |            |         |     |         |
|-------|------|----|----|--------------|--------------|--------|-------|------------|---------|-----|---------|
| Model | Year | MG | SG | Illustration | Restrictions | Update | 11:41 | 25.11.2005 | PORSCHE | PET | PORSCHE |
| 996   | 05   | 8  | 11 | 811-03       |              | 194    |       |            |         |     |         |

| Pos  | Part Number    | Name                          | Remarks | Qty | Model | Pos | Part Number | Name | Remarks | Qty | Model |
|------|----------------|-------------------------------|---------|-----|-------|-----|-------------|------|---------|-----|-------|
| 19   | 996 562 901 00 | bow                           |         | 1   |       |     |             |      |         |     |       |
| 20   | 996 624 241 00 | engine                        |         | 1   |       |     |             |      |         |     |       |
| --   | 996 613 221 00 | microswitch                   |         | 1   |       |     |             |      |         |     |       |
| 21   | 996 562 333 02 | frame                         | F >>    | 1   |       |     |             |      |         |     |       |
| --   | 996 562 933 01 | repair kit<br>retaining frame | F_995S6 | 1   |       |     |             |      |         |     |       |
| --   | 999 073 262 09 | torx screw<br>M 5X14          |         | 10  |       |     |             |      |         |     |       |
| 22   | 996 562 455 00 | gasket                        |         | 1   |       |     |             |      |         |     |       |
| 23   | 996 562 331 00 | gasket                        |         | 1   |       |     |             |      |         |     |       |
| 24   | 996 562 329 00 | glass roof                    |         | 1   |       |     |             |      |         |     |       |
| --   | 996 562 903 00 | spacer sleeve<br>set          |         | 1   |       |     |             |      |         |     |       |
| 25   | 996 562 907 00 | cover                         | /L      | 1   |       |     |             |      |         |     |       |
| (25) | 996 562 908 00 | cover                         | /R      | 1   |       |     |             |      |         |     |       |
| --   | 996 562 459 00 | profile strip<br>sunroof      |         | 1   |       |     |             |      |         |     |       |
| --   | 996 562 441 00 | gasket<br>centre piece        |         | 1   |       |     |             |      |         |     |       |
| --   | 999 703 100 40 | buffer<br>rear lid            |         | 2   |       |     |             |      |         |     |       |
| --   | 000 043 157 00 | cleaning agents<br>30 ML      |         | 1   |       |     |             |      |         |     |       |
| --   | 996 562 421 00 | water drain valve             |         | 2   |       |     |             |      |         |     |       |
|      |                | - - - E N D - - -             |         |     |       |     |             |      |         |     |       |



|       |      |    |    |              |              |        |       |            |         |     |         |
|-------|------|----|----|--------------|--------------|--------|-------|------------|---------|-----|---------|
| Model | Year | MG | SG | Illustration | Restrictions | Update | 11:42 | 25.11.2005 | PORSCHE | PET | PORSCHE |
| 996   | 05   | 8  | 11 | 811-05       |              | 194    |       |            |         |     |         |

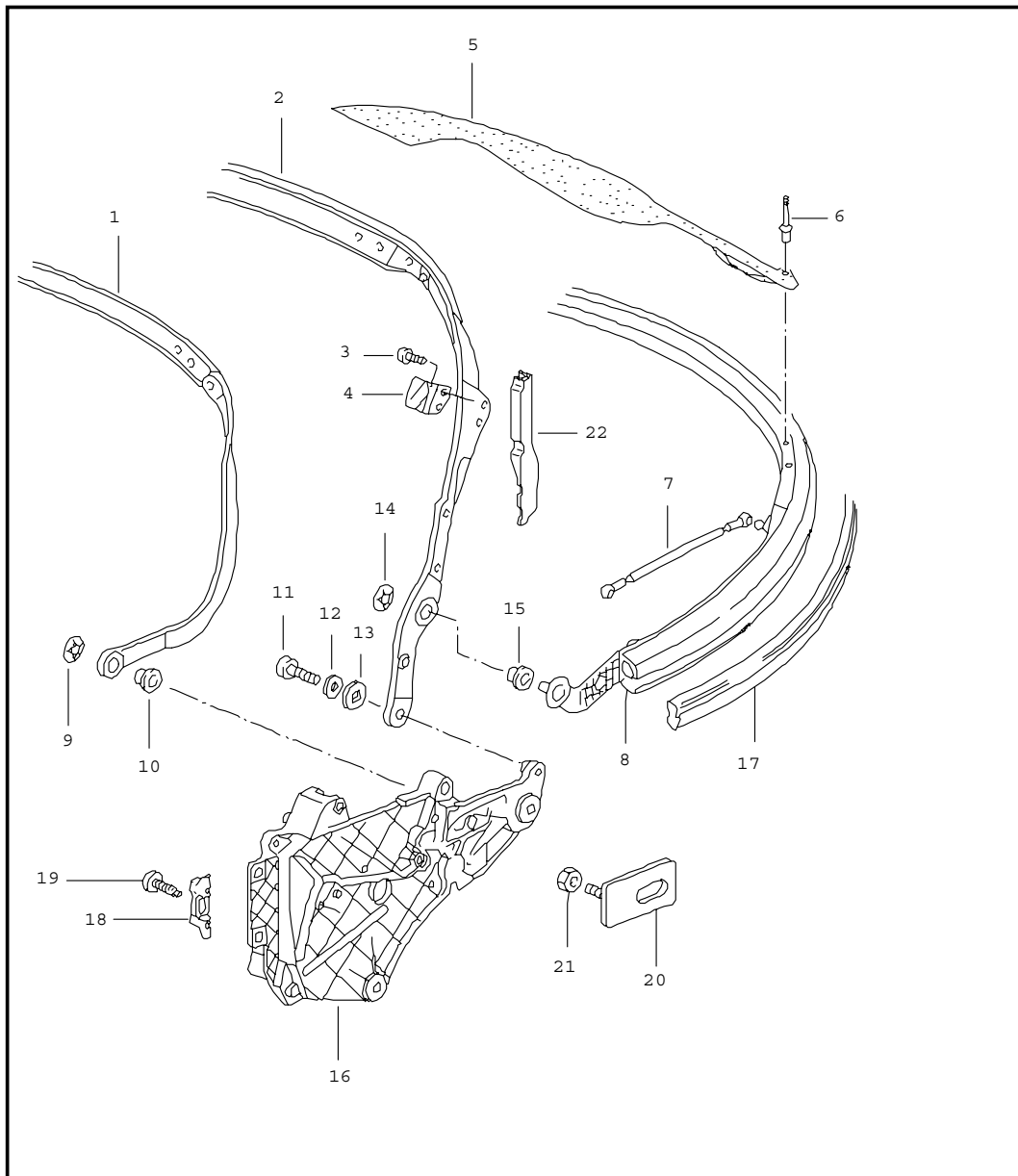


| Pos  | Part Number    | Name  | Remarks | Qty | Model |
|------|----------------|---|---------|-----|-------|
|      |                | convertible top frame<br>front<br>roof frame<br>catch |         |     |       |
| 1    | 996 561 963 00 | base  |         | 1   |       |
| 2    | 996 561 731 00 | clip  |         | 6   |       |
| 3    | 996 561 953 00 | roof frame  |         | 1   |       |
|      | A09            | black   |         |     |       |
| 4    | 996 561 247 00 | expansion rivet                                       |         | 6   |       |
| 5    | 996 561 017 01 | catch   | -04     | 1   |       |
|      | A09            | black   |         |     |       |
| (5)  | 997 561 117 00 | catch   | 05-     | 1   |       |
| --   | 996 561 947 00 | adapter   | -04     | 1   |       |
| --   | 997 561 515 00 | cap   | 05-     | 1   |       |
|      | 01C            | black   |         |     |       |
| 6    | 999 073 195 09 | screw   |         | 4   |       |
| 7    | 996 561 605 01 | centring journal                                      | /L -02  | 1   |       |
|      | A09            | black   |         |     |       |
| 7    | 996 561 605 02 | centring journal                                      | /L 03-  | 1   |       |
| (7)  | 996 561 606 01 | centring journal                                      | /R -02  | 1   |       |
|      | A09            | black   |         |     |       |
| (7)  | 996 561 606 02 | centring journal                                      | /R 03-  | 1   |       |
| 8    | 996 561 705 01 | cap   | /L      | 1   |       |
|      | 01C            | black   |         |     |       |
| (8)  | 996 561 706 01 | cap   | /R      | 1   |       |
|      | 01C            | black   |         |     |       |
| 9    | 999 919 144 09 | screw   |         | 4   |       |
| 10   | 996 561 837 00 | cap   | /L -04  | 1   |       |
|      | D05            | granite grey  |         |     |       |
|      | A03            | black   |         |     |       |
| (10) | 996 561 838 00 | cap   | /R -04  | 1   |       |

|       |      |    |    |              |              |        |       |            |         |     |         |
|-------|------|----|----|--------------|--------------|--------|-------|------------|---------|-----|---------|
| Model | Year | MG | SG | Illustration | Restrictions | Update | 11:42 | 25.11.2005 | PORSCHE | PET | PORSCHE |
| 996   | 05   | 8  | 11 | 811-05       |              | 194    |       |            |         |     |         |

| Pos | Part Number    | Name              | Remarks | Qty | Model | Pos | Part Number | Name | Remarks | Qty | Model |
|-----|----------------|-------------------|---------|-----|-------|-----|-------------|------|---------|-----|-------|
|     | D05            | granite grey      |         |     |       |     |             |      |         |     |       |
|     | A03            | black             |         |     |       |     |             |      |         |     |       |
| 10  | 996 561 937 00 | 1 set<br>cap      |         | 1   |       |     |             |      |         |     |       |
| 11  | 996 561 787 00 | cap               |         | 1   |       |     |             |      |         |     |       |
|     | 01C            | black             |         |     |       |     |             |      |         |     |       |
|     |                | - - - E N D - - - |         |     |       |     |             |      |         |     |       |

|       |      |    |    |              |              |        |       |            |         |     |         |
|-------|------|----|----|--------------|--------------|--------|-------|------------|---------|-----|---------|
| Model | Year | MG | SG | Illustration | Restrictions | Update | 11:42 | 25.11.2005 | PORSCHE | PET | PORSCHE |
| 996   | 05   | 8  | 11 | 811-06       |              | 194    |       |            |         |     |         |

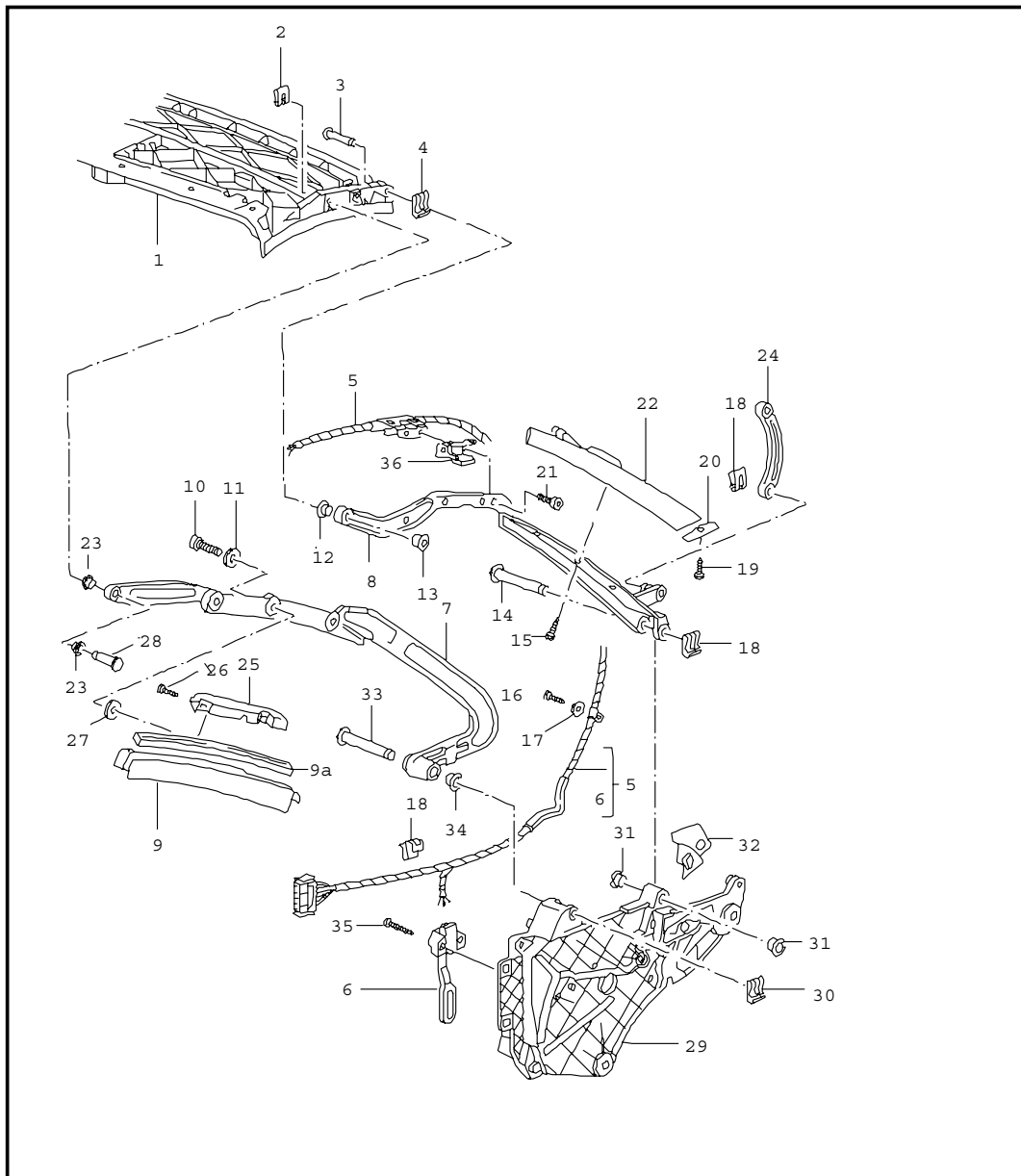


| Pos  | Part Number    | Name                                      | Remarks | Qty | Model |
|------|----------------|---|---------|-----|-------|
|      |                | convertible top frame<br>single parts     |         |     |       |
| 1    | 996 561 042 00 | bow                                       |         | 1   |       |
| 2    | 996 561 037 00 | bow                                       |         | 1   |       |
| 3    | 900 146 003 02 | oval-head screw                           |         | 4   |       |
| 4    | 996 561 959 00 | thrust wedge                              |         | 2   |       |
| 5    | 996 561 089 00 | restraining strap                         | /L -01  | 1   |       |
| 5    | 996 561 089 01 | restraining strap                         | /L 02-  | 1   |       |
| (5)  | 996 561 090 00 | restraining strap                         | /R -01  | 1   |       |
| (5)  | 996 561 090 01 | restraining strap                         | /R 02-  | 1   |       |
| 6    | 999 190 446 30 | rivet                                     |         | X   |       |
| 7    | 996 561 191 00 | tension rope                              |         | 2   |       |
| 8    | 996 561 041 00 | bow                                       | -01     | 1   |       |
| 8    | 996 561 041 01 | bow                                       | 02-     | 1   |       |
| 9    | 996 561 645 00 | lock                                      |         | 4   |       |
| 10   | 999 924 122 40 | bush                                      |         | 4   |       |
| 11   | 999 073 195 09 | oval-head screw                           |         | 2   |       |
| 12   | 900 151 006 09 | washer                                    |         | 2   |       |
| 13   | 999 924 131 30 | washer                                    |         | 2   |       |
| 14   | 996 561 645 00 | lock                                      |         | 4   |       |
| 15   | 999 924 122 40 | bush                                      |         | X   |       |
| 16   | 996 561 443 00 | convertible top support                   | /L      | 1   |       |
| (16) | 996 561 444 00 | convertible top support                   | /R      | 1   |       |
| 17   | 996 561 693 00 | additional gasket<br>FUER<br>bow<br>POS.8 |         | 1   |       |
| 18   | 996 561 735 02 | adjusting shim                            |         | 2   |       |
| 19   | 999 073 138 09 | screw                                     |         | 2   |       |
| 20   | 996 561 715 00 | support                                   |         | 2   |       |
| 21   | 999 084 630 09 | hexagon nut                               |         | 2   |       |

|       |      |    |    |              |              |        |       |            |         |     |         |
|-------|------|----|----|--------------|--------------|--------|-------|------------|---------|-----|---------|
| Model | Year | MG | SG | Illustration | Restrictions | Update | 11:42 | 25.11.2005 | PORSCHE | PET | PORSCHE |
| 996   | 05   | 8  | 11 | 811-06       |              | 194    |       |            |         |     |         |

| Pos  | Part Number    | Name                           | Remarks | Qty | Model | Pos | Part Number | Name | Remarks | Qty | Model |
|------|----------------|--------------------------------|---------|-----|-------|-----|-------------|------|---------|-----|-------|
| 22   | 996 561 259 00 | gasket                         | /L      | 1   |       |     |             |      |         |     |       |
| (22) | 996 561 260 00 | gasket                         | /R      | 1   |       |     |             |      |         |     |       |
| --   | 996 561 055 01 | bracket<br>for<br>tension rope | /L      | 1   |       |     |             |      |         |     |       |
| --   | 996 561 056 01 | bracket<br>for<br>tension rope | /R      | 1   |       |     |             |      |         |     |       |
|      |                | - - - E N D - - -              |         |     |       |     |             |      |         |     |       |

|       |      |    |    |              |              |        |       |            |         |     |         |
|-------|------|----|----|--------------|--------------|--------|-------|------------|---------|-----|---------|
| Model | Year | MG | SG | Illustration | Restrictions | Update | 11:42 | 25.11.2005 | PORSCHE | PET | PORSCHE |
| 996   | 05   | 8  | 11 | 811-07       |              | 194    |       |            |         |     |         |

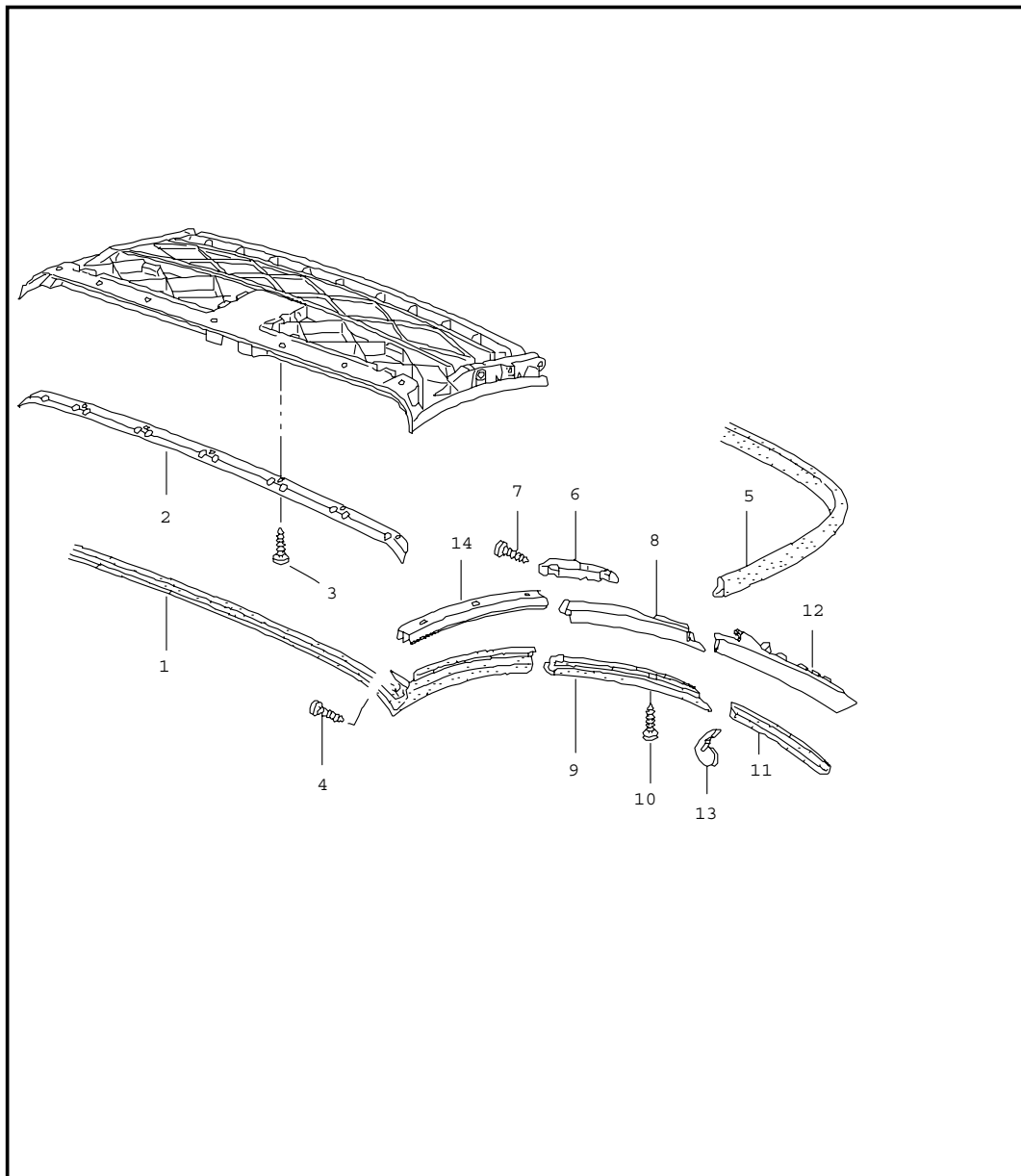


| Pos | Part Number    | Name                                  | Remarks | Qty | Model |
|-----|----------------|---------------------------------------|---------|-----|-------|
| 1   | 996 561 953 00 | convertible top frame<br>single parts |         | 1   |       |
|     | A09            | black                                 |         |     |       |
| 2   | 999 166 075 02 | lock                                  |         | X   |       |
| 3   | 999 088 041 30 | bolt<br>8X23,2                        |         | 2   |       |
| 4   | 999 166 075 02 | lock                                  |         | X   |       |
| 5   | 996 612 005 15 | wiring harness                        | -04     | 1   |       |
| 5   | 997 612 698 00 | wiring harness                        |         | 1   |       |
| 6   | 996 613 313 02 | potentiometer                         |         | 1   |       |
| 7   | 996 561 335 00 | roof frame                            | /L      | 1   |       |
| (7) | 996 561 336 00 | roof frame                            |         | 1   |       |
| 8   | 996 561 339 00 | roof frame                            | /L      | 1   |       |
| (8) | 996 561 340 00 | roof frame                            | /R      | 1   |       |
| 9   | 996 561 355 00 | sealing frame                         | /L      | 1   |       |
|     | A09            | black                                 |         |     |       |
| (9) | 996 561 356 00 | sealing frame                         | /R      | 1   |       |
|     | A09            | black                                 |         |     |       |
| 9A  | 996 561 219 00 | gasket<br>for<br>sealing frame        |         | 2   |       |
| 10  | 999 073 195 09 | screw<br>M 6X20                       |         | X   |       |
| 11  | 900 151 006 09 | washer                                |         | X   |       |
| 12  | 999 924 152 00 | bush                                  |         | 2   |       |
| 13  | 999 924 152 00 | bush                                  |         | 2   |       |
| 14  | 999 088 037 30 | bolt                                  |         | 1   |       |
| 15  | 999 919 152 09 | oval-head screw                       |         | X   |       |
| 16  | 900 144 101 02 | tapping screw                         |         | X   |       |
| 17  | 900 151 027 02 | washer                                |         | 8   |       |
| 18  | 999 166 076 02 | lock                                  |         | X   |       |

|       |      |    |    |              |              |        |       |            |         |     |         |
|-------|------|----|----|--------------|--------------|--------|-------|------------|---------|-----|---------|
| Model | Year | MG | SG | Illustration | Restrictions | Update | 11:42 | 25.11.2005 | PORSCHE | PET | PORSCHE |
| 996   | 05   | 8  | 11 | 811-07       |              | 194    |       |            |         |     |         |

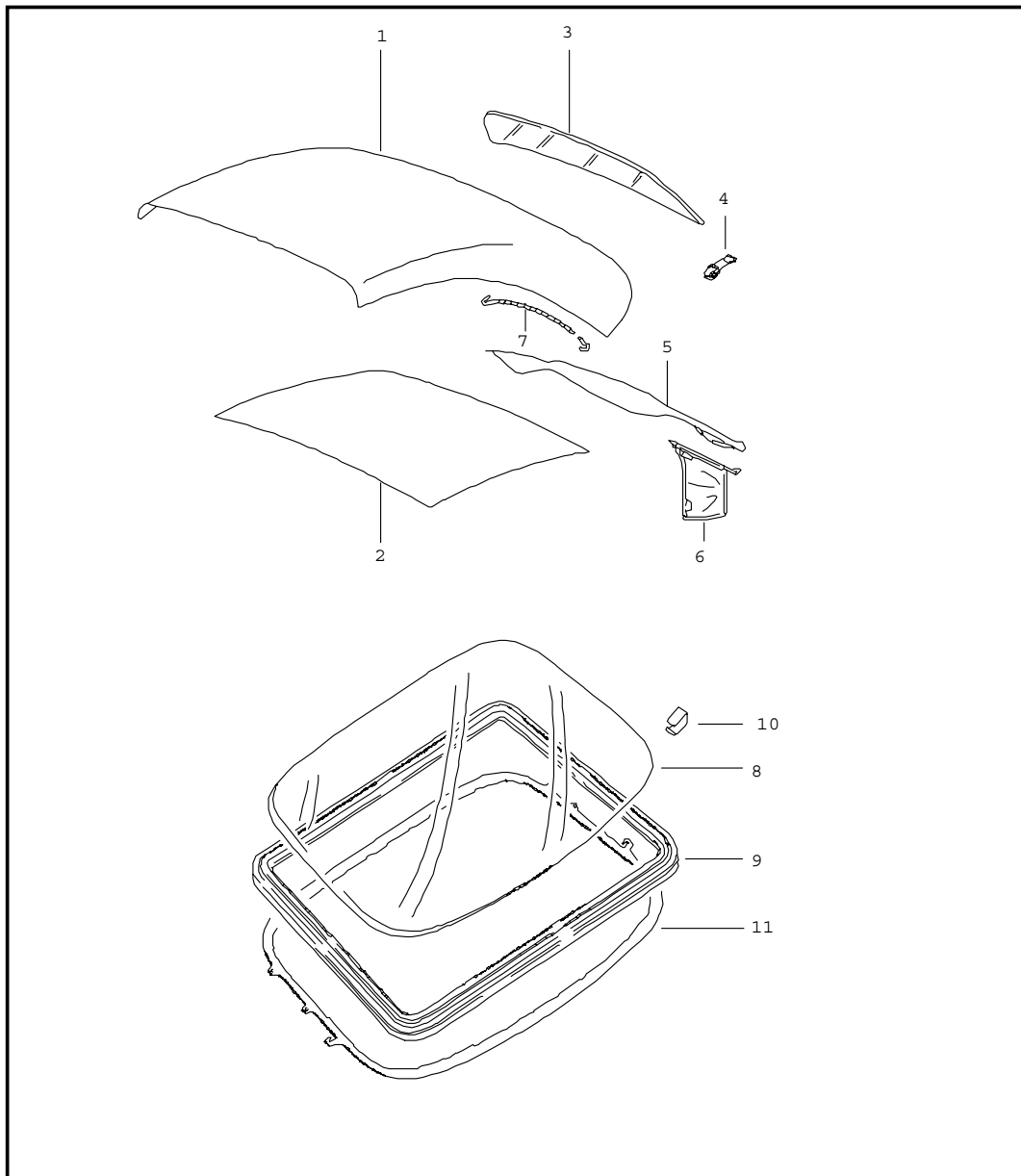
| Pos  | Part Number    | Name                    | Remarks | Qty | Model | Pos | Part Number | Name | Remarks | Qty | Model |
|------|----------------|-------------------------|---------|-----|-------|-----|-------------|------|---------|-----|-------|
| 19   | 999 919 152 09 | oval-head screw         |         | 4   |       |     |             |      |         |     |       |
| 20   | 996 561 239 00 | gasket                  | /L      | 1   |       |     |             |      |         |     |       |
| (20) | 996 561 240 00 | gasket                  | /R      | 1   |       |     |             |      |         |     |       |
| 21   | N 014 128 13   | oval-head screw         |         | 4   |       |     |             |      |         |     |       |
| 22   | 996 561 319 00 | frame                   | /L      | 1   |       |     |             |      |         |     |       |
| (22) | 996 561 320 00 | frame                   |         | 1   |       |     |             |      |         |     |       |
| 23   | 999 924 152 00 | bush                    |         | 4   |       |     |             |      |         |     |       |
| 24   | 996 561 051 01 | lever                   | /L      | 1   |       |     |             |      |         |     |       |
| (24) | 996 561 052 01 | lever                   | /R      | 1   |       |     |             |      |         |     |       |
| 25   | 996 561 535 00 | guide                   | /L      | 1   |       |     |             |      |         |     |       |
| (25) | 996 561 536 00 | guide                   | /R      | 1   |       |     |             |      |         |     |       |
| 26   | 999 919 141 09 | oval-head screw         |         | 4   |       |     |             |      |         |     |       |
| 27   | 999 025 267 09 | washer                  |         | 8   |       |     |             |      |         |     |       |
| 28   | 999 088 040 30 | bolt                    |         | 2   |       |     |             |      |         |     |       |
| 29   | 996 561 443 00 | convertible top support | /L      | 1   |       |     |             |      |         |     |       |
| (29) | 996 561 444 00 | convertible top support | /R      | 1   |       |     |             |      |         |     |       |
| 30   | 999 166 076 02 | lock                    |         | 6   |       |     |             |      |         |     |       |
| 31   | 999 924 125 40 | bush                    |         | 4   |       |     |             |      |         |     |       |
| 32   | 996 561 249 01 | sealing strip           | /L -00  | 1   |       |     |             |      |         |     |       |
| 32   | 996 561 249 01 | gasket                  | /L 01-  | 1   |       |     |             |      |         |     |       |
| (32) | 996 561 250 01 | sealing strip           | /R -00  | 1   |       |     |             |      |         |     |       |
| (32) | 996 561 250 01 | gasket                  | /R 01-  | 1   |       |     |             |      |         |     |       |
| 33   | 999 088 031 30 | bolt                    |         | 4   |       |     |             |      |         |     |       |
| 34   | 999 924 125 40 | bush                    |         | 4   |       |     |             |      |         |     |       |
| 35   | 999 919 152 09 | oval-head screw         |         | 2   |       |     |             |      |         |     |       |
| 36   | 996 561 631 00 | bracket                 | -01     | 2   |       |     |             |      |         |     |       |
|      |                | - - - E N D - - -       |         |     |       |     |             |      |         |     |       |

|       |      |    |    |              |              |        |       |            |         |     |         |
|-------|------|----|----|--------------|--------------|--------|-------|------------|---------|-----|---------|
| Model | Year | MG | SG | Illustration | Restrictions | Update | 11:42 | 25.11.2005 | PORSCHE | PET | PORSCHE |
| 996   | 05   | 8  | 11 | 811-09       |              | 194    |       |            |         |     |         |



| Pos  | Part Number    | Name                 | Remarks | Qty | Model |
|------|----------------|----------------------|---------|-----|-------|
|      |                | convertible top seal |         |     |       |
| 1    | 996 561 027 00 | roof frame seal      | -04     | 1   |       |
| 1    | 997 561 327 00 | roof frame seal      | 05-     | 1   |       |
| 2    | 996 561 501 01 | retaining strip      | -04     | 1   |       |
| 2    | 997 561 501 00 | retaining strip      | 05-     | 1   |       |
| 3    | 999 919 139 09 | oval-head screw      |         | 7   |       |
| 4    | 999 919 139 09 | oval-head screw      |         | 2   |       |
| 5    | 996 561 449 00 | gasket               |         | 1   |       |
| 6    | 996 561 535 00 | guide                | /L -01  | 1   |       |
| (6)  | 996 561 536 00 | guide                | /R -01  | 1   |       |
| 7    | 999 919 152 09 | oval-head screw      |         | 4   |       |
| 8    | 996 561 355 00 | frame                | /L      | 1   |       |
| (8)  | 996 561 356 00 | frame                | /R      | 1   |       |
| 9    | 996 561 413 00 | gasket               | /L      | 1   |       |
| 9    | 996 561 414 00 | gasket               | /R      | 1   |       |
| 10   | 999 919 152 09 | oval-head screw      |         | 8   |       |
| 11   | 996 561 411 00 | gasket               | /L      | 1   |       |
| (11) | 996 561 412 00 | gasket               | /R      | 1   |       |
| 12   | 996 561 319 00 | frame                | /L      | 1   |       |
| 12   | 996 561 320 00 | frame                | /R      | 1   |       |
| 13   | 996 561 935 00 | filler piece set     |         | 2   |       |
| 14   | 996 561 527 00 | mounting             | /L      | 1   |       |
| (14) | 996 561 528 00 | mounting             | /R      | 1   |       |
|      |                | - - - E N D - - -    |         |     |       |

|       |      |    |    |              |              |        |       |            |         |     |         |
|-------|------|----|----|--------------|--------------|--------|-------|------------|---------|-----|---------|
| Model | Year | MG | SG | Illustration | Restrictions | Update | 11:42 | 25.11.2005 | PORSCHE | PET | PORSCHE |
| 996   | 05   | 8  | 11 | 811-10       |              | 194    |       |            |         |     |         |



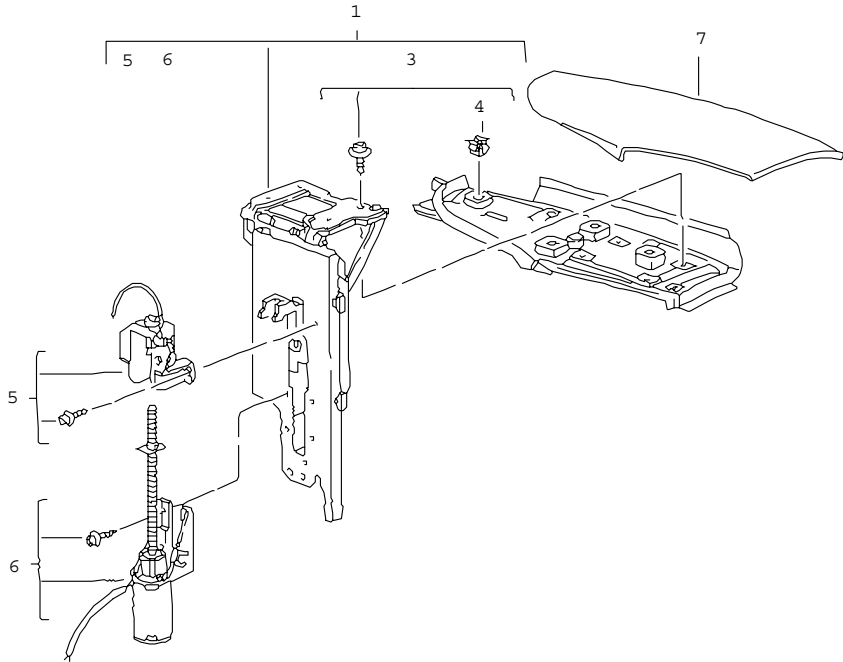
| Pos | Part Number    | Name   | Remarks | Qty | Model |
|-----|----------------|--|---------|-----|-------|
|     |                | convertible top covering<br>roof lining            |         |     |       |
| 1   | 996 561 915 01 | convertible top covering                           | -01     | 1   |       |
|     | A10            | black  |         |     |       |
|     | B50            | space grey   |         |     |       |
|     | G10            | metropole blue                                     |         |     |       |
| 1   | 996 561 915 02 | convertible top covering                           | -04     | 1   |       |
|     | A10            | black  |         |     |       |
|     | C50            | graphite grey                                      |         |     |       |
|     | G02            | metropole blue                                     |         |     |       |
| 1   | 997 561 901 00 | convertible top covering<br>without<br>rear window | 05-     | 1   |       |
|     | A10            | black  |         |     |       |
|     | C50            | graphite grey                                      |         |     |       |
|     | G02            | metropole blue                                     |         |     |       |
| 2   | 996 561 085 00 | inner lining                                       | -01     | 1   |       |
|     | A20            | black  |         |     |       |
| 2   | 996 561 085 01 | inner lining                                       | 02-     | 1   |       |
|     | A21            | black  |         |     |       |
| 3   | 996 561 111 00 | rear window<br>order at same time<br>POS.4         | -01     | 1   |       |
| 4   | 993 561 959 00 | slide  |         | 1   |       |
| 5   | 996 561 089 00 | restraining strap                                  | /L -01  | 1   |       |
| (5) | 996 561 089 01 | restraining strap                                  | /L 02-  | 1   |       |
| (5) | 996 561 090 00 | restraining strap                                  | /R -01  | 1   |       |
| (5) | 996 561 090 01 | restraining strap                                  | /R 02-  | 1   |       |
| 6   | 996 561 095 00 | cover strip  | /L -01  | 1   |       |
|     | A20            | black  |         |     |       |
| (6) | 996 561 095 01 | bag  | /L 02-  | 1   |       |
|     | A20            | black  |         |     |       |



|       |      |    |    |              |              |        |       |            |         |     |         |
|-------|------|----|----|--------------|--------------|--------|-------|------------|---------|-----|---------|
| Model | Year | MG | SG | Illustration | Restrictions | Update | 11:42 | 25.11.2005 | PORSCHE | PET | PORSCHE |
| 996   | 05   | 8  | 11 | 811-10       |              | 194    |       |            |         |     |         |

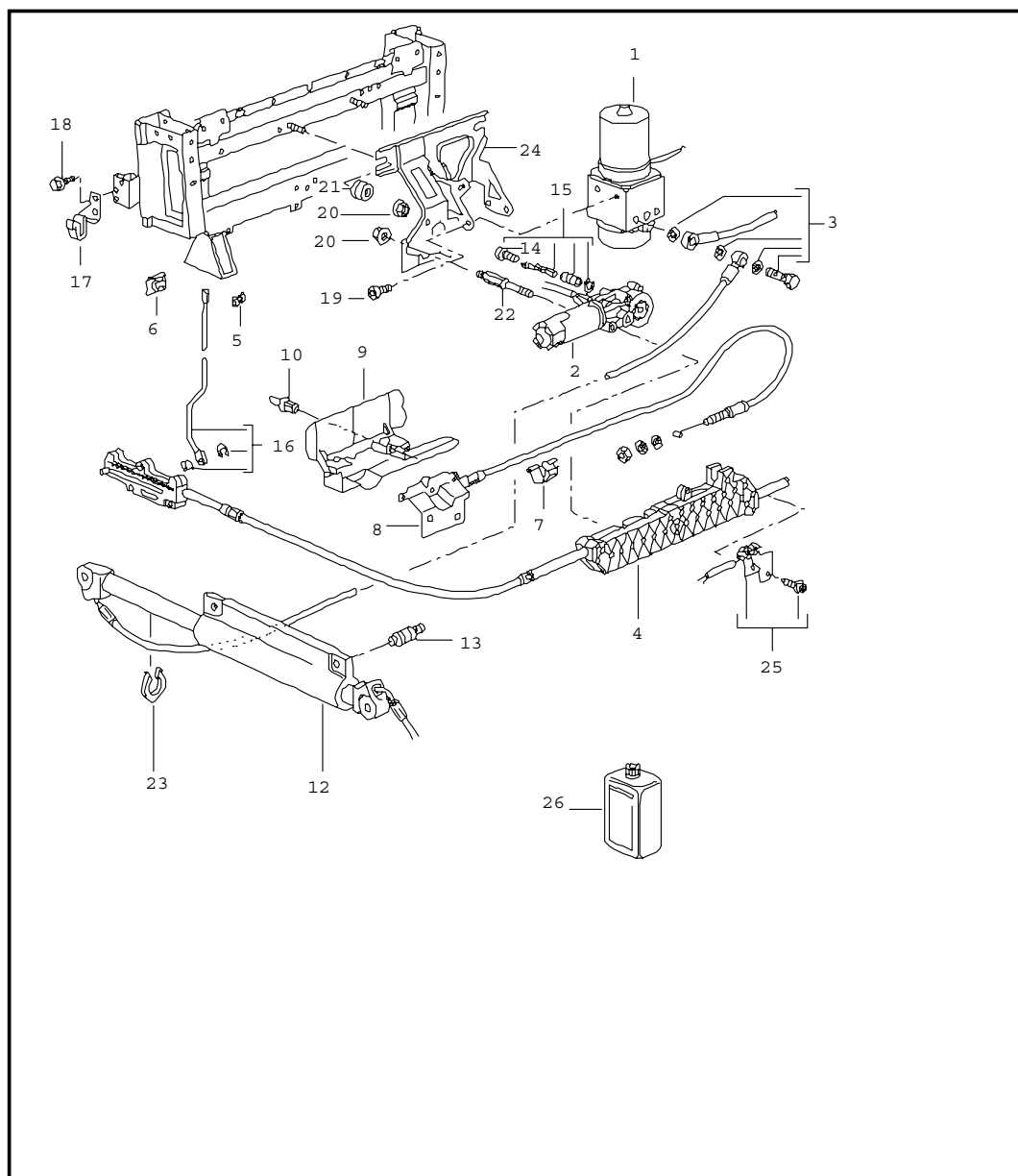
| Pos | Part Number    | Name              | Remarks | Qty | Model | Pos | Part Number | Name | Remarks | Qty | Model |
|-----|----------------|-------------------|---------|-----|-------|-----|-------------|------|---------|-----|-------|
| (6) | 996 561 096 00 | cover strip       | /R -01  | 1   |       |     |             |      |         |     |       |
|     | A20            | black             |         |     |       |     |             |      |         |     |       |
| (6) | 996 561 096 01 | bag               | /R 02-  | 1   |       |     |             |      |         |     |       |
|     | A20            | black             |         |     |       |     |             |      |         |     |       |
| 7   | 996 561 931 01 | tension rope      |         | 2   |       |     |             |      |         |     |       |
| 8   | 996 561 101 00 | rear window       | 02-     | 1   |       |     |             |      |         |     |       |
| 9   | 996 561 331 00 | gasket            | 02-     | 1   |       |     |             |      |         |     |       |
| 10  | 996 561 205 00 | clamp             |         | 32  |       |     |             |      |         |     |       |
| 11  | 996 561 203 00 | frame             |         | 1   |       |     |             |      |         |     |       |
|     |                | - - - E N D - - - |         |     |       |     |             |      |         |     |       |

|       |      |    |    |              |              |        |       |            |         |     |         |
|-------|------|----|----|--------------|--------------|--------|-------|------------|---------|-----|---------|
| Model | Year | MG | SG | Illustration | Restrictions | Update | 11:42 | 25.11.2005 | PORSCHE | PET | PORSCHE |
| 996   | 05   | 8  | 11 | 811-11       |              | 194    |       |            |         |     |         |



| Pos               | Part Number    | Name                           | Remarks | Qty | Model |
|-------------------|----------------|--------------------------------|---------|-----|-------|
|                   |                | flap<br>lateral<br>folding top |         |     |       |
| 1                 | 996 561 175 01 | flap                           | /L      | 1   |       |
| (1)               | 996 561 176 01 | flap                           | /R      | 1   |       |
| 3                 | 996 561 625 00 | flap                           | /L      | 1   |       |
| (3)               | 996 561 626 00 | flap                           | /R      | 1   |       |
| 5                 | 996 561 685 00 | microswitch                    | /L      | 1   |       |
| (5)               | 996 561 686 00 | microswitch                    | /R      | 1   |       |
| 6                 | 996 561 675 00 | driving mechanism              | /L      | 1   |       |
| (6)               | 996 561 676 00 | driving mechanism              | /R      | 1   |       |
| 7                 | --- --- --- -- | see illustrations<br>8/07/07   | /R      | 1   |       |
| - - - E N D - - - |                |                                |         |     |       |

|       |      |    |    |              |              |        |       |            |         |     |         |
|-------|------|----|----|--------------|--------------|--------|-------|------------|---------|-----|---------|
| Model | Year | MG | SG | Illustration | Restrictions | Update | 11:43 | 25.11.2005 | PORSCHE | PET | PORSCHE |
| 996   | 05   | 8  | 11 | 811-12       |              | 194    |       |            |         |     |         |

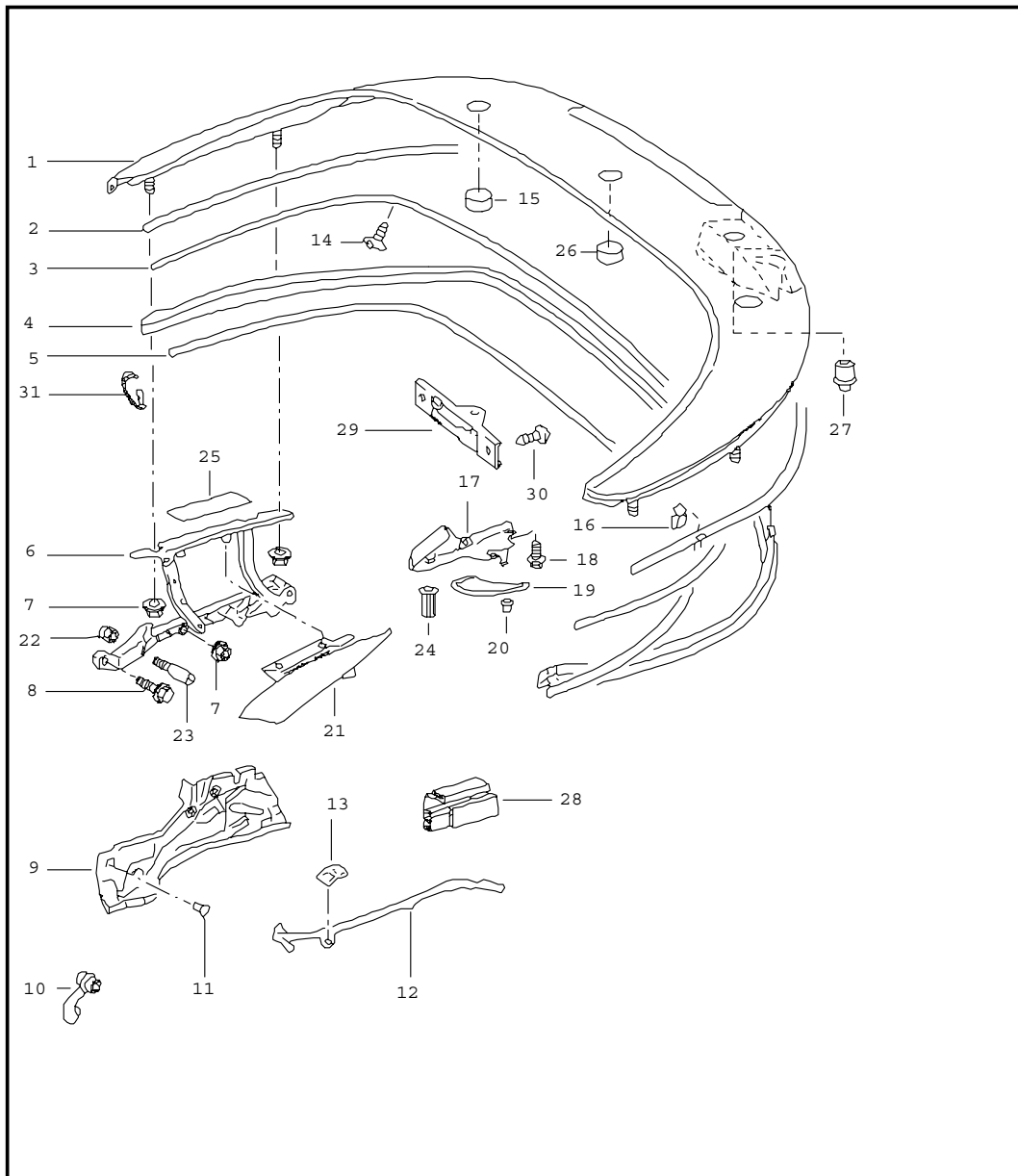


| Pos  | Part Number    | Name  | Remarks | Qty | Model |
|------|----------------|---|---------|-----|-------|
|      |                | convertible top driving mechanism hydraulic |         |     |       |
| 1    | 996 561 307 01 | pump  | -03     | 1   |       |
| 1    | 996 561 307 02 | pump  | 04-     | 1   |       |
| 2    | 996 561 933 00 | engine                                      | -03     | 1   |       |
| 2    | 996 561 933 01 | engine                                      | 04-     | 1   |       |
| 3    | 996 561 573 00 | banjo bolt                                  |         | 2   |       |
| 4    | 996 561 021 03 | driving mechanism                           | -03     | 1   |       |
| --   | 999 919 184 09 | oval-head screw                             |         | 2   |       |
| 5    | 999 166 054 02 | lock  |         | 2   |       |
| 6    | 999 703 425 40 | spacer sleeve                               |         | 2   |       |
| 7    | 999 507 683 40 | cable holder                                |         | X   |       |
| 8    | 996 561 065 01 | locking device                              |         | 1   |       |
| 9    | 996 561 265 01 | trim  | -01     | 1   |       |
| 10   | 999 591 941 40 | expansion rivet                             |         | X   |       |
| 12   | 996 561 945 02 | cylinder                                    |         | 2   |       |
| 13   | 996 561 245 00 | bolt  |         | 1   |       |
| 14   | 996 561 671 00 | screw                                       |         | 1   |       |
| 15   | 996 561 673 00 | repair kit                                  | -03     | 1   |       |
| 15   | 996 561 673 01 | repair kit                                  | 04-     | 1   |       |
| 16   | 996 561 229 00 | push rod                                    | /L      | 1   |       |
| 16   | 996 561 230 00 | push rod                                    | /R      | 1   |       |
| 17   | 996 561 105 00 | bracket                                     | /L      | 1   |       |
| (17) | 996 561 106 00 | bracket                                     | /R      | 1   |       |
| 18   | 900 378 173 09 | hexagon-head tapping screw                  |         | X   |       |
| 19   | N 014 750 3    | pan-head screw                              |         | 4   |       |
| 21   | 999 703 424 40 | rubber buffer                               |         | 2   |       |
| 22   | 996 561 863 00 | bolt  | -03     | 2   |       |
| (22) | 996 561 863 01 | stud  | 04-     | 3   |       |

|       |      |    |    |              |              |        |       |            |         |     |         |
|-------|------|----|----|--------------|--------------|--------|-------|------------|---------|-----|---------|
| Model | Year | MG | SG | Illustration | Restrictions | Update | 11:43 | 25.11.2005 | PORSCHE | PET | PORSCHE |
| 996   | 05   | 8  | 11 | 811-12       |              | 194    |       |            |         |     |         |

| Pos  | Part Number    | Name  | Remarks | Qty | Model | Pos | Part Number | Name | Remarks | Qty | Model |
|------|----------------|---|---------|-----|-------|-----|-------------|------|---------|-----|-------|
| 23   | 996 561 281 00 | retainer  |         | 2   |       |     |             |      |         |     |       |
| 24   | 996 561 117 01 | bracket   | -01     | 1   |       |     |             |      |         |     |       |
| 24   | 996 561 217 00 | bracket   | 02-     | 1   |       |     |             |      |         |     |       |
| (24) | 996 561 207 01 | bracket<br>convertible top compartm.<br>driving mechanism | 04-     | 1   |       |     |             |      |         |     |       |
| 25   | 996 561 165 00 | microswitch   | -03     | 1   |       |     |             |      |         |     |       |
| 26   | 000 043 204 89 | OEL<br>250 ML   |         | X   |       |     |             |      |         |     |       |
|      |                | - - - E N D - - -   |         |     |       |     |             |      |         |     |       |

|       |      |    |    |              |              |        |       |            |         |     |         |
|-------|------|----|----|--------------|--------------|--------|-------|------------|---------|-----|---------|
| Model | Year | MG | SG | Illustration | Restrictions | Update | 11:43 | 25.11.2005 | PORSCHE | PET | PORSCHE |
| 996   | 05   | 8  | 11 | 811-13       |              | 194    |       |            |         |     |         |

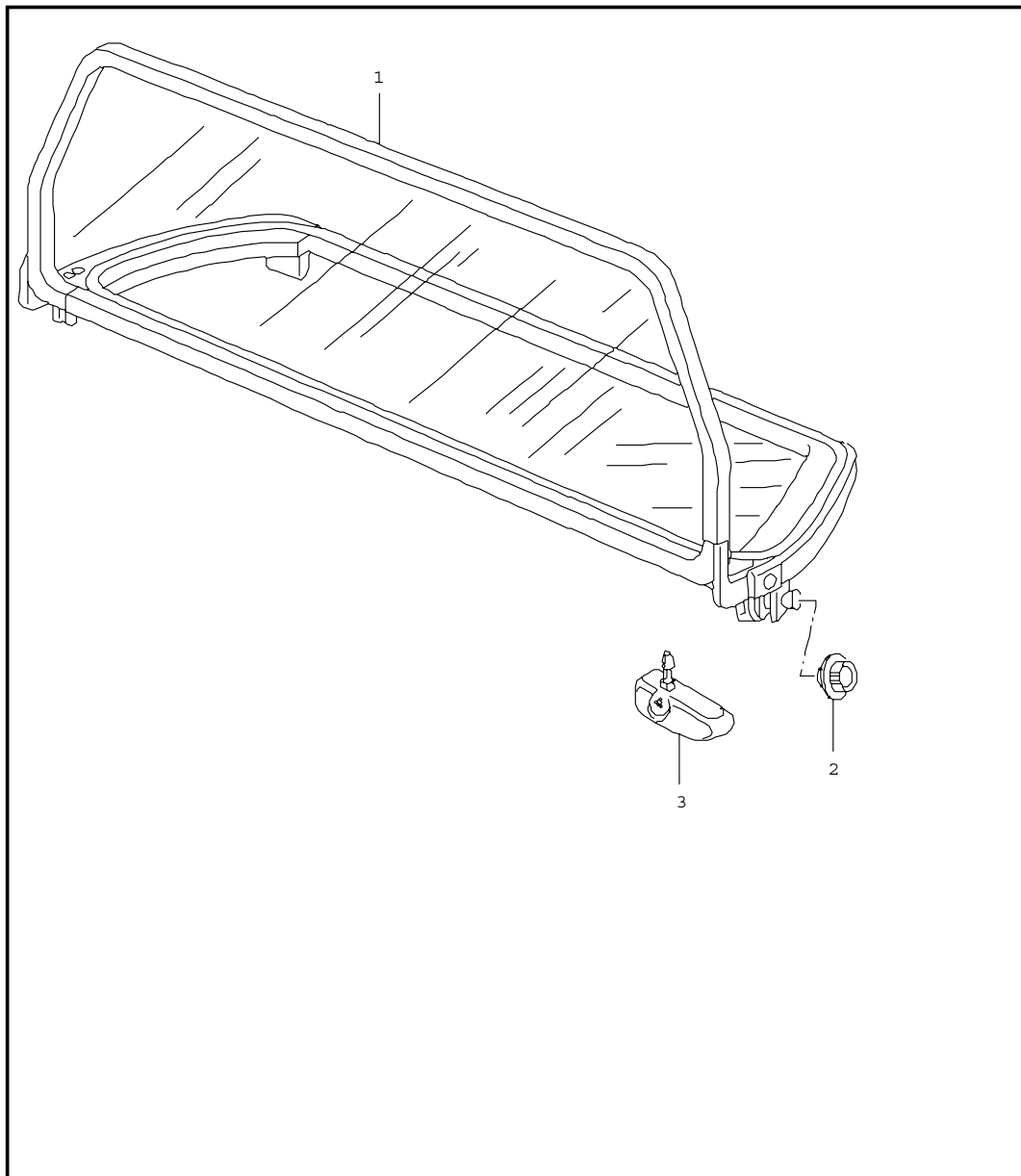


| Pos  | Part Number    | Name  | Remarks | Qty | Model |
|------|----------------|---|---------|-----|-------|
|      |                | convertible top compartm.<br>cover<br>gaskets |         |     |       |
| 1    | 996 514 011 01 | cover   |         | 1   |       |
|      | GRV            | prime coated                                  |         |     |       |
| 1    | 996 514 011 03 | cover   |         | 1   | C4S   |
|      | GRV            | prime coated                                  |         |     |       |
| 2    | 996 514 631 00 | sealing strip                                 |         | 1   |       |
| 3    | 996 514 731 00 | gasket  |         | 1   |       |
| 4    | 996 514 714 00 | protective edging                             |         | 1   |       |
| 5    | 996 514 211 04 | gasket  | -02     | 1   |       |
| 5    | 996 514 211 04 | gasket  | 03-     | 1   |       |
| 6    | 996 561 907 02 | hinge   | /L      | 1   |       |
| 6    | 996 561 908 02 | hinge   | /R      | 1   |       |
| 7    | 900 377 003 02 | hexagon nut                                   |         | 4   |       |
| 8    | 900 378 180 09 | hexagon-head bolt                             |         | 2   |       |
| 9    | 996 561 805 02 | water drip pan                                | /L      | 1   |       |
| 9    | 996 561 806 02 | water drip pan                                | /R      | 1   |       |
| 10   | 996 561 815 01 | water drain hose                              | /L      | 1   |       |
| 10   | 996 561 816 01 | water drain hose                              | /R      | 1   |       |
| 11   | 999 703 432 40 | plug  |         | 2   |       |
| 12   | 996 561 755 00 | water drain strip                             | -03     | 1   |       |
| 12   | 996 561 755 01 | water drain strip                             | 04-     | 1   |       |
| (12) | 996 561 756 00 | water drain strip                             | -03     | 1   |       |
| (12) | 996 561 756 01 | water drain strip                             | 04-     | 1   |       |
| 13   | 999 507 647 02 | tab washer                                    |         | 4   |       |
| 14   | 999 073 047 02 | tapping screw                                 |         | 2   |       |
| 15   | 996 561 633 01 | buffer  |         | 2   |       |
| 16   | 999 507 600 09 | u-clamp                                       |         | 2   |       |
| 17   | 996 514 651 01 | mounting                                      | /L      | 1   |       |

|       |      |    |    |              |              |        |       |            |         |     |         |
|-------|------|----|----|--------------|--------------|--------|-------|------------|---------|-----|---------|
| Model | Year | MG | SG | Illustration | Restrictions | Update | 11:43 | 25.11.2005 | PORSCHE | PET | PORSCHE |
| 996   | 05   | 8  | 11 | 811-13       |              | 194    |       |            |         |     |         |

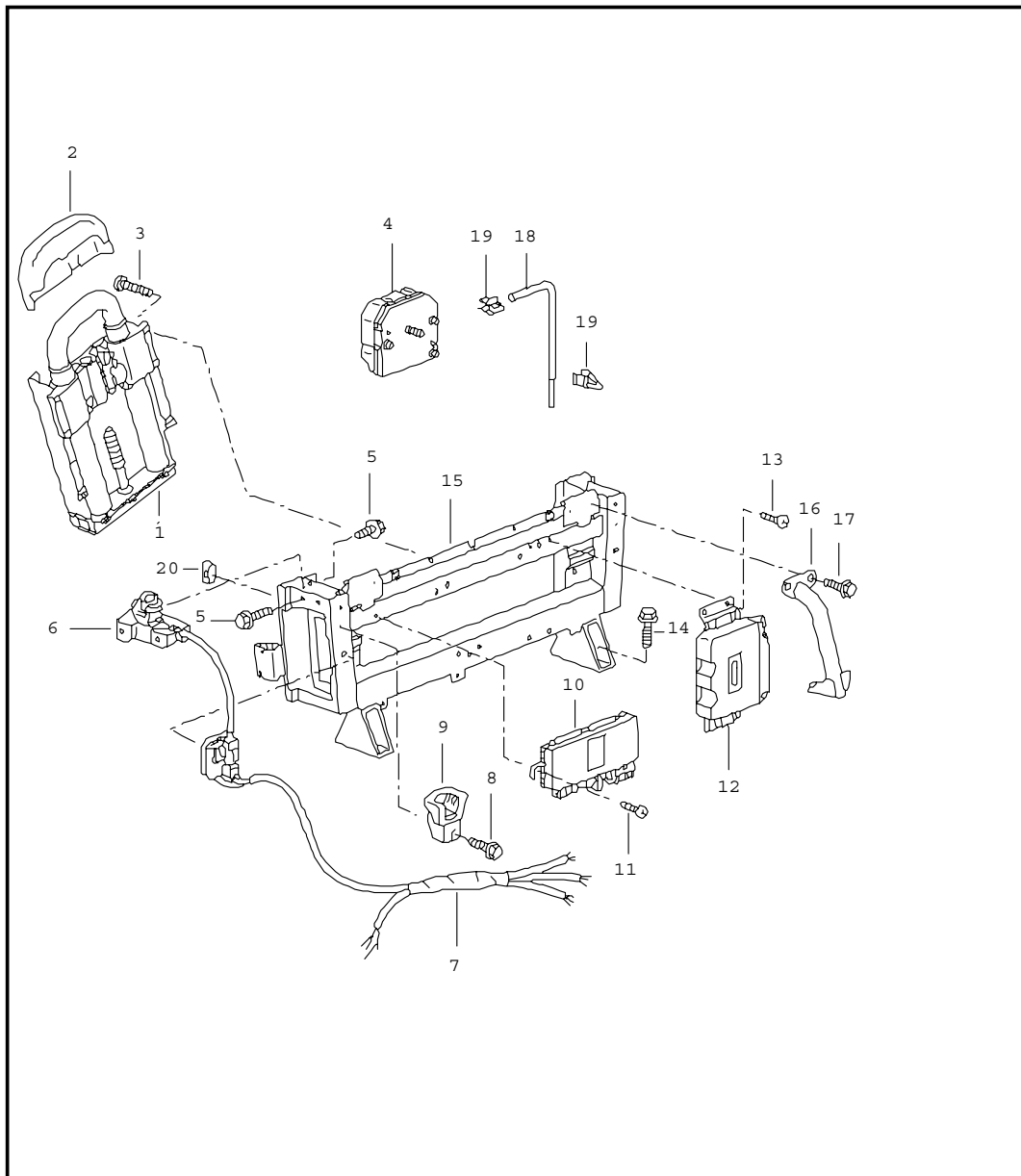
| Pos  | Part Number    | Name              | Remarks | Qty | Model | Pos | Part Number | Name | Remarks | Qty | Model |
|------|----------------|-------------------|---------|-----|-------|-----|-------------|------|---------|-----|-------|
| 17   | 996 514 652 01 | mounting          | /R      | 1   |       |     |             |      |         |     |       |
| 18   | 999 073 189 09 | oval-head screw   |         | 6   |       |     |             |      |         |     |       |
| 19   | 996 504 861 00 | cover             | /L      | 1   |       |     |             |      |         |     |       |
|      | GRV            | prime coated      |         |     |       |     |             |      |         |     |       |
| (19) | 996 504 862 00 | cover             | /R      | 1   |       |     |             |      |         |     |       |
|      | GRV            | prime coated      |         |     |       |     |             |      |         |     |       |
| 20   | 999 702 264 40 | grommet           |         | 4   |       |     |             |      |         |     |       |
| 21   | 996 561 061 02 | flap              | /L      | 1   |       |     |             |      |         |     |       |
| (21) | 996 561 062 02 | flap              | /R      | 1   |       |     |             |      |         |     |       |
| 22   | 999 500 086 02 | blind rivet nut   |         | 4   |       |     |             |      |         |     |       |
| 23   | 999 242 004 02 | threaded pin      |         | 2   |       |     |             |      |         |     |       |
| 24   | 900 360 001 02 | nut               |         | 2   |       |     |             |      |         |     |       |
| (24) | 996 504 855 01 | mounting          |         | 4   |       |     |             |      |         |     |       |
| 25   | 996 561 904 00 | adhesive plate    |         | X   |       |     |             |      |         |     |       |
| 26   | 986 561 633 01 | buffer            |         | 1   |       |     |             |      |         |     |       |
| 27   | 999 703 140 40 | buffer            |         | 1   |       |     |             |      |         |     |       |
| 28   | 996 561 401 00 | stop              | /L      | 1   |       |     |             |      |         |     |       |
| (28) | 996 561 402 00 | stop              | /R      | 1   |       |     |             |      |         |     |       |
| 29   | 996 561 465 00 | clip              |         | 1   |       |     |             |      |         |     |       |
| 30   | 999 073 130 02 | oval-head screw   |         | 2   |       |     |             |      |         |     |       |
| 31   | 996 514 511 00 | clip              |         | 2   |       |     |             |      |         |     |       |
|      |                | - - - E N D - - - |         |     |       |     |             |      |         |     |       |

|       |      |    |    |              |              |        |       |            |         |     |         |
|-------|------|----|----|--------------|--------------|--------|-------|------------|---------|-----|---------|
| Model | Year | MG | SG | Illustration | Restrictions | Update | 11:43 | 25.11.2005 | PORSCHE | PET | PORSCHE |
| 996   | 05   | 8  | 11 | 811-14       |              | 194    |       |            |         |     |         |



| Pos | Part Number    | Name              | Remarks | Qty | Model |
|-----|----------------|-------------------|---------|-----|-------|
|     |                | wind deflector    |         |     |       |
| 1   | 996 561 125 02 | wind deflector    |         | 1   |       |
|     | 01C            | black             |         |     |       |
| 2   | 996 561 127 00 | rose              | /L      | 1   |       |
|     | 01C            | black             |         |     |       |
| 2   | 996 561 128 00 | rose              | /R      | 1   |       |
|     | 01C            | black             |         |     |       |
| 3   | 996 561 955 00 | repair kit        | /L      | 1   |       |
| (3) | 996 561 956 00 | repair kit        | /R      | 1   |       |
|     |                | - - - E N D - - - |         |     |       |

|       |      |    |    |              |              |        |       |            |         |     |         |
|-------|------|----|----|--------------|--------------|--------|-------|------------|---------|-----|---------|
| Model | Year | MG | SG | Illustration | Restrictions | Update | 11:43 | 25.11.2005 | PORSCHE | PET | PORSCHE |
| 996   | 05   | 8  | 11 | 811-15       |              | 194    |       |            |         |     |         |



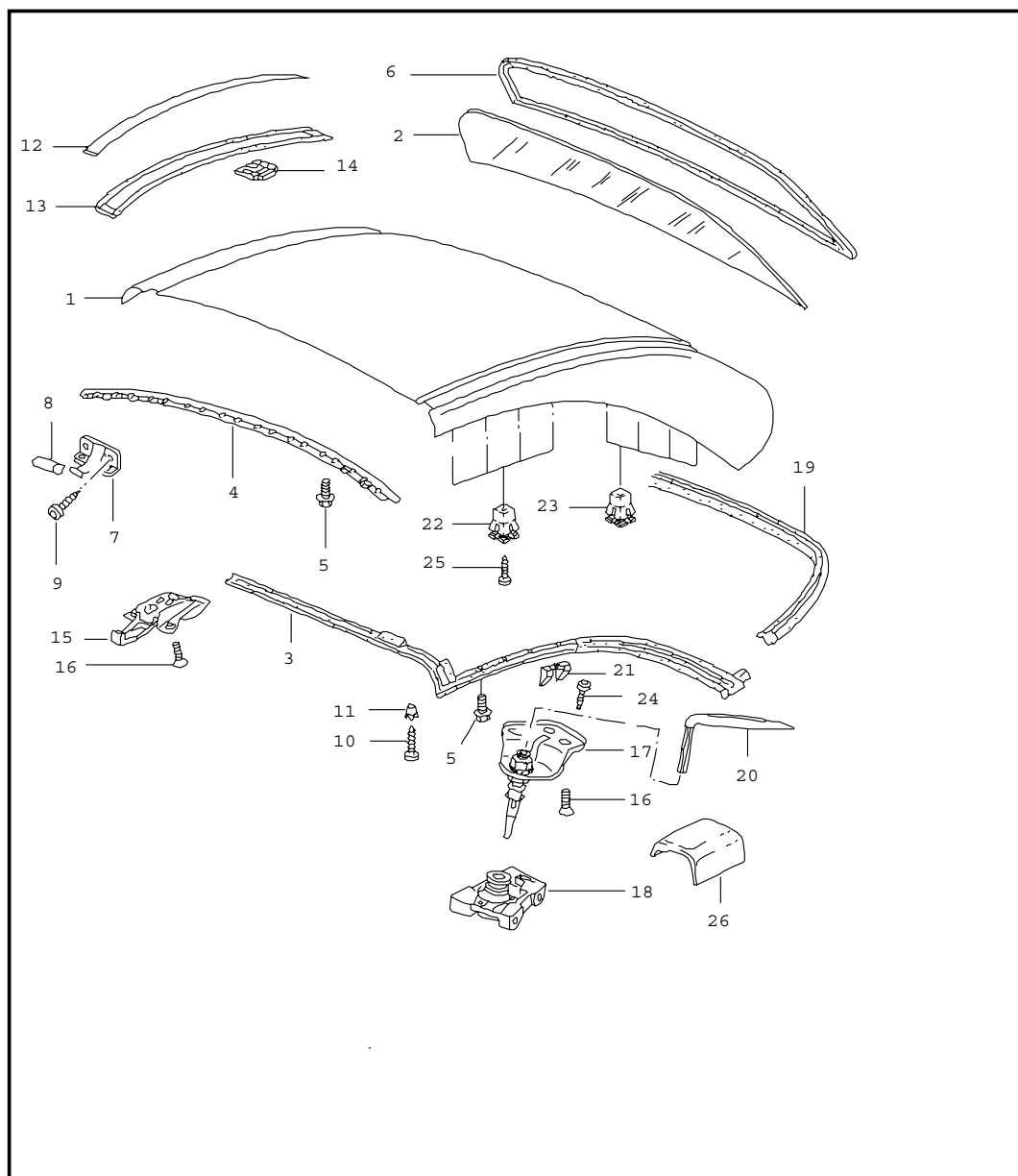
| Pos  | Part Number    | Name                 | Remarks | Qty | Model  |
|------|----------------|----------------------|---------|-----|--------|
|      |                | roll-over bar        |         |     | CABRIO |
| 1    | 996 580 021 01 | roll-over bar        |         | 2   |        |
| 2    | 996 580 191 01 | cap                  |         | 2   |        |
| 3    | 900 067 382 09 | hexagon-head bolt    |         | 12  |        |
| 4    | 996 618 281 00 | control unit         |         | 1   |        |
| 5    | 900 378 173 09 | hexagon-head bolt    |         | 4   |        |
| -    | 999 084 635 02 | shear-off nut        |         | 3   |        |
| 6    | 996 561 653 03 | mounting             | /L -04  | 1   |        |
| 6    | 996 561 653 04 | mounting             | /L 05-  | 1   |        |
| (6)  | 996 561 654 03 | mounting             | /R -04  | 1   |        |
| (6)  | 996 561 654 04 | mounting             | /R 05-  | 1   |        |
| 7    | 996 612 065 01 | wiring harness       | -01     | 1   |        |
| 7    | 996 612 065 15 | wiring harness       | 02-     | 1   |        |
| 8    | 900 378 173 09 | hexagon-head bolt    |         | 2   |        |
| 9    | 996 561 463 02 | guide                | /L      | 1   |        |
| (9)  | 996 561 464 02 | guide                | /R      | 1   |        |
| 10   | 996 618 111 03 | control unit         | -02     | 1   |        |
| 10   | 996 618 111 04 | control unit         | 03-     | 1   |        |
| 11   | 999 073 060 02 | tapping screw        |         | X   |        |
| 12   | ---            | see group<br>9/01/03 |         | X   |        |
| 13   | 999 073 060 02 | tapping screw        |         | X   |        |
| 14   | 900 378 173 09 | hexagon-head bolt    |         | 4   |        |
| 15   | 996 580 311 01 | auxiliary support    | -01     | 1   |        |
| 15   | 996 580 311 02 | auxiliary support    | 02-     | 1   |        |
| --   | 999 590 050 40 | catch                |         | 4   |        |
| --   | 999 650 176 40 | clip                 |         | 3   |        |
| 16   | 996 580 331 01 | bracket              | /L -01  | 1   |        |
| 16   | 996 580 331 02 | bracket              | /L 02-  | 1   |        |
| (16) | 996 580 332 01 | bracket              | /R -01  | 1   |        |



|       |      |    |    |              |              |        |       |            |         |     |         |
|-------|------|----|----|--------------|--------------|--------|-------|------------|---------|-----|---------|
| Model | Year | MG | SG | Illustration | Restrictions | Update | 11:43 | 25.11.2005 | PORSCHE | PET | PORSCHE |
| 996   | 05   | 8  | 11 | 811-15       |              | 194    |       |            |         |     |         |

| Pos  | Part Number    | Name                 | Remarks | Qty | Model | Pos | Part Number | Name | Remarks | Qty | Model |
|------|----------------|----------------------|---------|-----|-------|-----|-------------|------|---------|-----|-------|
| (16) | 996 580 332 02 | bracket              | /R 02-  | 1   |       |     |             |      |         |     |       |
| 17   | 900 378 173 09 | hexagon-head bolt    |         | X   |       |     |             |      |         |     |       |
| 18   | 999 571 079 03 | angular screw driver |         | 1   |       |     |             |      |         |     |       |
| 19   | 999 507 633 40 | retaining clip       |         | 2   |       |     |             |      |         |     |       |
| 20   | 996 561 457 00 | sleeve               |         | 2   |       |     |             |      |         |     |       |
|      |                | - - - E N D - - -    |         |     |       |     |             |      |         |     |       |

|       |      |    |    |              |              |        |       |            |         |     |         |
|-------|------|----|----|--------------|--------------|--------|-------|------------|---------|-----|---------|
| Model | Year | MG | SG | Illustration | Restrictions | Update | 11:43 | 25.11.2005 | PORSCHE | PET | PORSCHE |
| 996   | 05   | 8  | 11 | 811-16       |              | 194    |       |            |         |     |         |

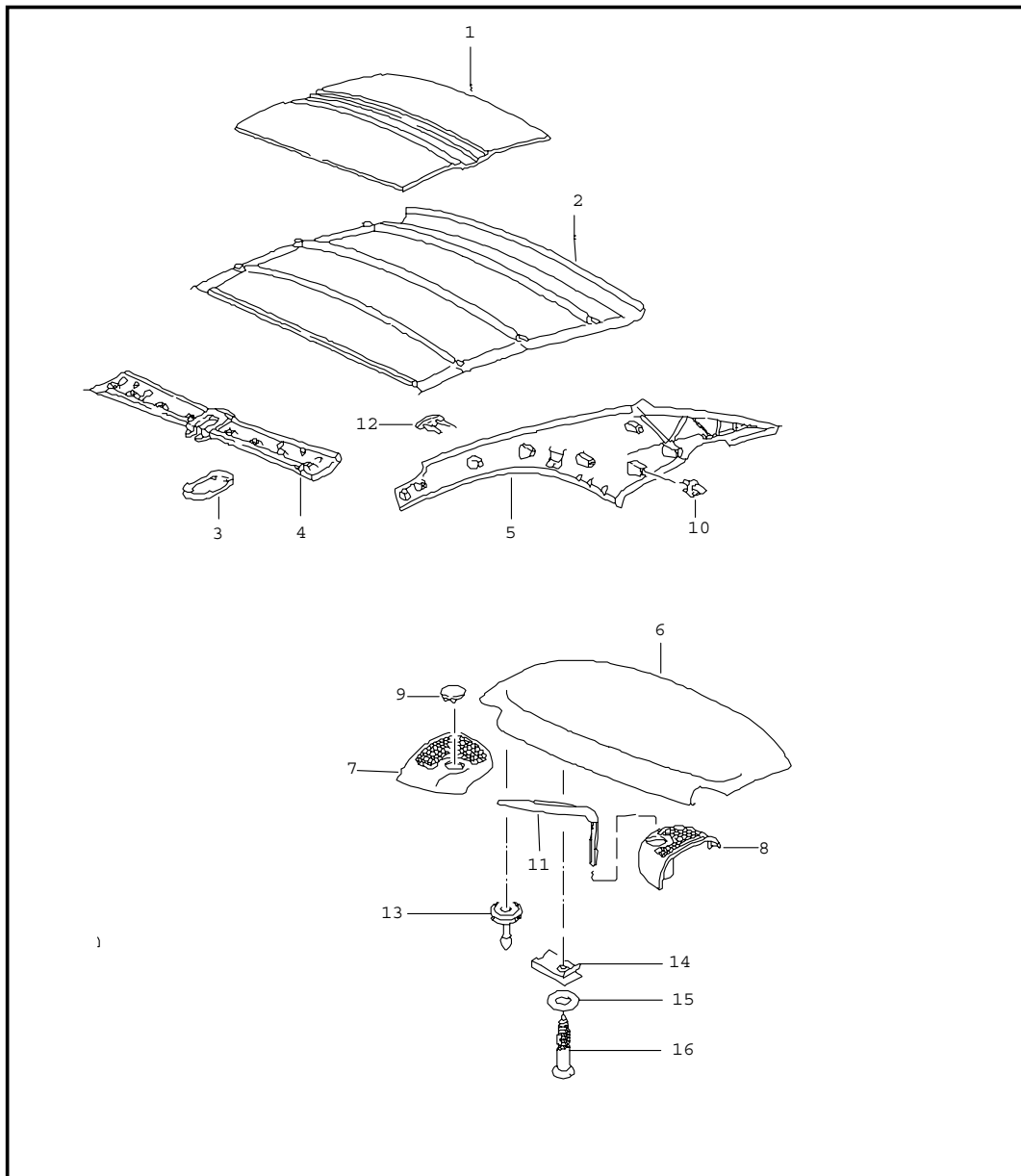


| Pos  | Part Number    | Name                               | Remarks | Qty | Model |
|------|----------------|------------------------------------|---------|-----|-------|
|      |                | hardtop accessories gaskets        |         |     | M 550 |
| 1    | 996 563 911 00 | hardtop                            |         | 1   |       |
|      | GRV            | prime coated without accessories   |         |     |       |
| 2    | 996 563 091 00 | rear window ready for installation |         | 1   |       |
| 3    | 996 563 025 02 | roof frame seal                    |         | 1   |       |
| --   | 996 563 309 00 | retaining strip                    | /L      | 1   |       |
| --   | 996 563 310 00 | retaining strip                    | /R      | 1   |       |
| 4    | 996 563 319 00 | retaining strip                    |         | 1   |       |
| 5    | 900 067 378 09 | pan-head screw                     |         | 10  |       |
| 6    | 996 563 029 00 | gasket                             |         | 1   |       |
| 7    | 996 563 405 00 | centring journal                   | /L      | 1   |       |
| (7)  | 996 563 406 00 | centring journal                   | /R      | 1   |       |
| 8    | 996 563 705 01 | cap                                | /L      | 1   |       |
| 8    | 996 563 706 01 | cap                                | /R      | 1   |       |
| 9    | 999 919 144 09 | oval-head screw                    |         | 4   |       |
| 10   | 999 073 049 02 | tapping screw                      |         | 14  |       |
| 11   | 999 507 547 40 | expander nut                       |         | 8   |       |
| 12   | 996 563 707 00 | cover strip                        | /L      | 1   |       |
|      | GRV            | prime coated                       |         |     |       |
| (12) | 996 563 708 00 | cover strip                        | /R      | 1   |       |
|      | GRV            | prime coated                       |         |     |       |
| 13   | 996 563 361 00 | gasket                             | /L      | 1   |       |
| (13) | 996 563 362 00 | gasket                             | /R      | 1   |       |
| 14   | 986 563 721 00 | clip                               |         | 8   |       |
| 15   | 996 563 401 00 | catch                              |         | 1   |       |
| 16   | 900 378 030 09 | hexagon-head bolt M 6X20           |         | 3   |       |

|       |      |    |    |              |              |        |       |            |         |     |         |
|-------|------|----|----|--------------|--------------|--------|-------|------------|---------|-----|---------|
| Model | Year | MG | SG | Illustration | Restrictions | Update | 11:43 | 25.11.2005 | PORSCHE | PET | PORSCHE |
| 996   | 05   | 8  | 11 | 811-16       |              | 194    |       |            |         |     |         |

| Pos  | Part Number    | Name                      | Remarks | Qty | Model | Pos | Part Number | Name | Remarks | Qty | Model |
|------|----------------|---------------------------|---------|-----|-------|-----|-------------|------|---------|-----|-------|
| 17   | 996 563 403 03 | catch                     | /L -04  | 1   |       |     |             |      |         |     |       |
|      |                | see technical information |         |     |       |     |             |      |         |     |       |
|      |                | NR.:1/02                  |         |     |       |     |             |      |         |     |       |
| 17   | 996 563 403 04 | catch                     | /L 05-  | 1   |       |     |             |      |         |     |       |
| (17) | 996 563 404 03 | catch                     | /R -04  | 1   |       |     |             |      |         |     |       |
| (17) | 996 563 404 03 | catch                     | -04     | 1   |       |     |             |      |         |     |       |
| (17) | 996 563 404 04 | catch                     | 05-     | 1   |       |     |             |      |         |     |       |
| 18   | 996 561 653 03 | mounting                  | /L -04  | 1   |       |     |             |      |         |     |       |
| 18   | 996 561 653 04 | mounting                  | /L      | 1   |       |     |             |      |         |     |       |
| --   | 996 561 657 01 | insert                    | -04     | 1   |       |     |             |      |         |     |       |
| --   | 900 249 031 09 | countersunk-head screw    |         | 6   |       |     |             |      |         |     |       |
| (18) | 996 561 654 03 | mounting                  | /R -04  | 1   |       |     |             |      |         |     |       |
| (18) | 996 561 654 04 | mounting                  | /R 05-  | 1   |       |     |             |      |         |     |       |
| --   | 996 561 658 01 | insert                    |         | 1   |       |     |             |      |         |     |       |
| --   | 996 561 658 02 | insert                    |         | 1   |       |     |             |      |         |     |       |
| 19   | 996 563 027 01 | gasket                    |         | 1   |       |     |             |      |         |     |       |
| 20   | 996 563 413 00 | tool                      |         | 1   |       |     |             |      |         |     |       |
| 21   | 996 563 125 00 | thrust wedge              |         | 2   |       |     |             |      |         |     |       |
| 22   | 999 507 923 40 | expander nut              |         | 8   |       |     |             |      |         |     |       |
| 23   | 999 507 924 40 | expander nut              |         | 8   |       |     |             |      |         |     |       |
| 24   | 999 450 008 09 | tapping screw             |         | 2   |       |     |             |      |         |     |       |
| 25   | 999 073 049 02 | tapping screw             |         | 16  |       |     |             |      |         |     |       |
| 26   | 996 563 421 01 | protective tab            |         | 2   |       |     |             |      |         |     |       |
| --   | 999 507 659 40 | expander nut              | /L      | 1   |       |     |             |      |         |     |       |
| --   | 999 507 662 40 | expander nut              | /R      | 1   |       |     |             |      |         |     |       |
|      |                | - - - E N D - - -         |         |     |       |     |             |      |         |     |       |

|       |      |    |    |              |              |        |       |            |         |     |         |
|-------|------|----|----|--------------|--------------|--------|-------|------------|---------|-----|---------|
| Model | Year | MG | SG | Illustration | Restrictions | Update | 11:44 | 25.11.2005 | PORSCHE | PET | PORSCHE |
| 996   | 05   | 8  | 11 | 811-17       |              | 194    |       |            |         |     |         |



| Pos | Part Number    | Name                      | Remarks | Qty | Model |
|-----|----------------|---------------------------|---------|-----|-------|
|     |                | hardtop<br>sound absorber |         |     |       |
| 1   | 996 563 523 00 | sound absorber            |         | 1   |       |
| 2   | 996 563 111 00 | inner lining              |         | 1   |       |
|     | A20            | black                     |         |     |       |
| 3   | 996 563 551 00 | trim                      |         | 1   |       |
|     | 01C            | black                     |         |     |       |
| 4   | 996 563 501 00 | lining<br>leatherette     |         | 1   |       |
|     | A18            | black                     | -99     |     |       |
|     | A12            | black                     | 00-     |     |       |
|     | B18            | space grey                | -99     |     |       |
|     | B52            | space grey                | 00-     |     |       |
|     | C18            | graphite grey             | -99     |     |       |
|     | C52            | graphite grey             | 00-     |     |       |
|     | G18            | metropole blue            | -99     |     |       |
|     | G12            | metropole blue            | 00-     |     |       |
|     | S18            | savanna                   | -99     |     |       |
|     | S32            | savanna                   | 00-     |     |       |
|     | J32            | nephrite green            |         |     |       |
| 4   | 996 563 501 01 | lining<br>leather         | -99     | 1   |       |
|     | A11            | black                     |         |     |       |
|     | B51            | space grey                |         |     |       |
|     | C51            | graphite grey             |         |     |       |
|     | G11            | metropole blue            |         |     |       |
|     | J31            | nephrite green            |         |     |       |
|     | M31            | boxster red               |         |     |       |
|     | S31            | savanna                   |         |     |       |
|     | D12            | dark grey                 |         |     |       |

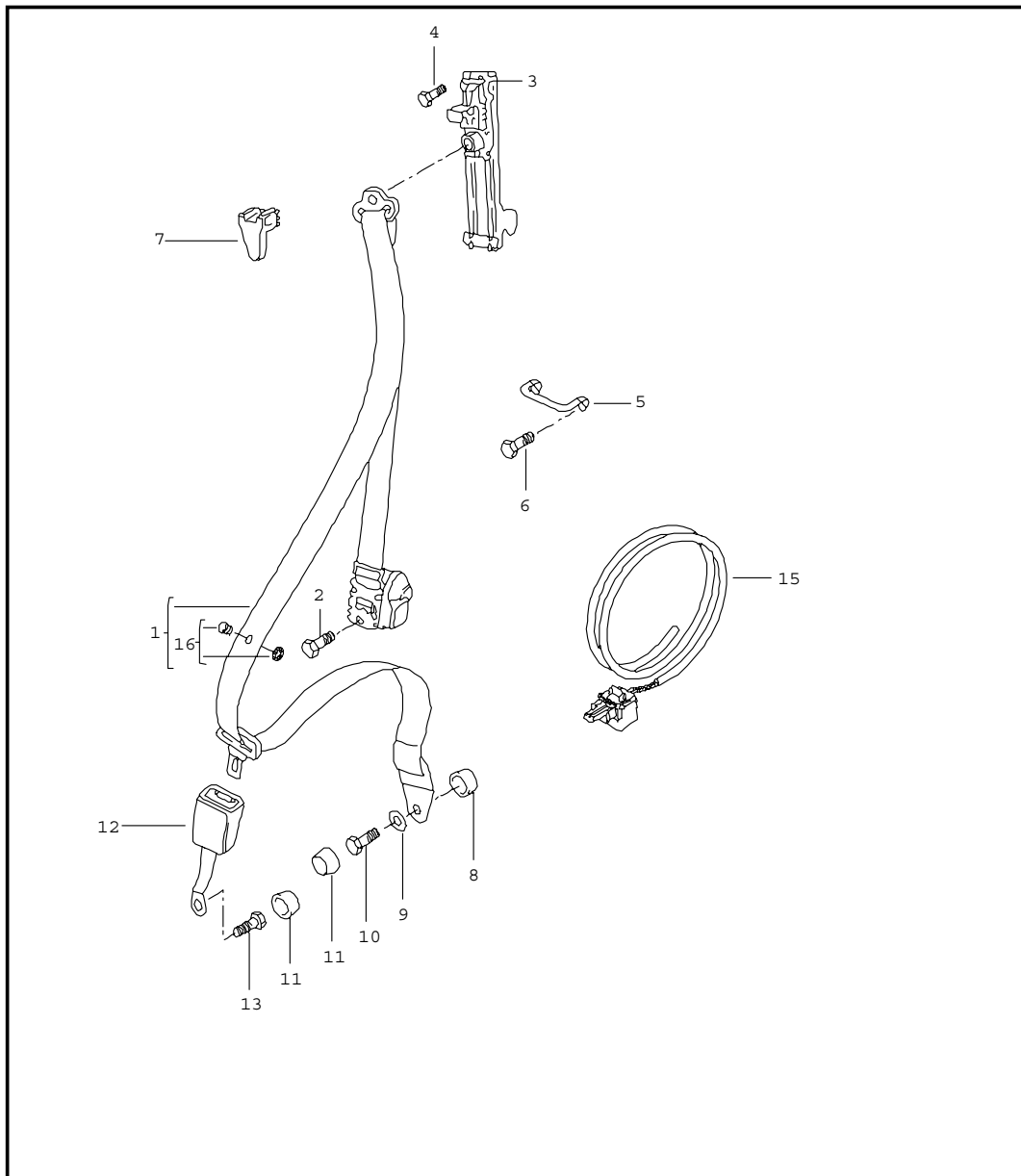
|       |      |    |    |              |              |        |       |            |         |     |         |
|-------|------|----|----|--------------|--------------|--------|-------|------------|---------|-----|---------|
| Model | Year | MG | SG | Illustration | Restrictions | Update | 11:44 | 25.11.2005 | PORSCHE | PET | PORSCHE |
| 996   | 05   | 8  | 11 | 811-17       |              | 194    |       |            |         |     |         |

| Pos | Part Number    | Name                  | Remarks | Qty | Model | Pos | Part Number    | Name              | Remarks | Qty | Model |
|-----|----------------|-----------------------|---------|-----|-------|-----|----------------|-------------------|---------|-----|-------|
| 5   | 996 563 503 00 | lining<br>leatherette | /L      | 1   |       |     | G11            | metropole blue    |         |     |       |
|     | A18            | black                 | -99     |     |       |     | J31            | nephrite green    |         |     |       |
|     | A12            | black                 | 00-     |     |       |     | M31            | boxster red       |         |     |       |
|     | B18            | space grey            | -99     |     |       |     | S31            | savanna           |         |     |       |
|     | B52            | space grey            | 00-     |     |       |     | D12            | dark grey         |         |     |       |
|     | C18            | graphite grey         | -99     |     |       | (5) | 996 563 504 01 | lining<br>leather | /R -99  | 1   |       |
|     | C52            | graphite grey         | 00-     |     |       |     | A11            | black             |         |     |       |
|     | G18            | metropole blue        | -99     |     |       |     | B51            | space grey        |         |     |       |
|     | G12            | metropole blue        | 00-     |     |       |     | C51            | graphite grey     |         |     |       |
|     | S18            | savanna               | -99     |     |       |     | G11            | metropole blue    |         |     |       |
|     | S32            | savanna               | 00-     |     |       |     | J31            | nephrite green    |         |     |       |
|     | J32            | nephrite green        | 00-     |     |       |     | M31            | boxster red       |         |     |       |
| (5) | 996 563 504 00 | lining<br>leatherette | /R      | 1   |       |     | S31            | savanna           |         |     |       |
|     | A18            | black                 | -99     |     |       |     | D12            | dark grey         |         |     |       |
|     | A12            | black                 | 00-     |     |       | 6   | 996 563 505 00 | lining            |         | 1   |       |
|     | B18            | space grey            | -99     |     |       |     | A07            | black             |         |     |       |
|     | B52            | space grey            | 00-     |     |       |     | B07            | space grey        |         |     |       |
|     | C18            | graphite grey         | -99     |     |       |     | C07            | graphite grey     |         |     |       |
|     | C52            | graphite grey         | 00-     |     |       |     | G07            | metropole blue    |         |     |       |
|     | G18            | metropole blue        | -99     |     |       | 7   | 996 563 554 00 | lining            | /R      | 1   |       |
|     | G12            | metropole blue        | 00-     |     |       |     | A10            | black             |         |     |       |
|     | S18            | savanna               | -99     |     |       |     | B50            | space grey        |         |     |       |
|     | S32            | savanna               | 00-     |     |       |     | C50            | graphite grey     |         |     |       |
|     | J32            | nephrite green        | 00-     |     |       |     | G10            | metropole blue    |         |     |       |
| (5) | 996 563 503 01 | lining<br>leather     | /L -99  | 1   |       | 8   | 996 563 553 00 | lining            | /L      | 1   |       |
|     | A11            | black                 |         |     |       |     | A10            | black             |         |     |       |
|     | B51            | space grey            |         |     |       |     | B50            | space grey        |         |     |       |
|     | C51            | graphite grey         |         |     |       |     | C50            | graphite grey     |         |     |       |
|     |                |                       |         |     |       |     | G10            | metropole blue    |         |     |       |

|       |      |    |    |              |              |        |       |            |         |     |         |
|-------|------|----|----|--------------|--------------|--------|-------|------------|---------|-----|---------|
| Model | Year | MG | SG | Illustration | Restrictions | Update | 11:44 | 25.11.2005 | PORSCHE | PET | PORSCHE |
| 996   | 05   | 8  | 11 | 811-17       |              | 194    |       |            |         |     |         |

| Pos | Part Number    | Name                       | Remarks | Qty | Model | Pos | Part Number | Name | Remarks | Qty | Model |
|-----|----------------|----------------------------|---------|-----|-------|-----|-------------|------|---------|-----|-------|
| 9   | 996 555 457 00 | cover                      |         | 2   |       |     |             |      |         |     |       |
|     | A10            | black                      |         |     |       |     |             |      |         |     |       |
|     | C50            | graphite grey              |         |     |       |     |             |      |         |     |       |
|     | G10            | metropole blue             |         |     |       |     |             |      |         |     |       |
|     | B50            | space grey                 |         |     |       |     |             |      |         |     |       |
| 10  | 999 507 764 40 | clip                       |         | X   |       |     |             |      |         |     |       |
| 11  | 996 563 413 00 | tool                       |         | 1   |       |     |             |      |         |     |       |
| 12  | 996 563 561 00 | rubber stop                |         | 2   |       |     |             |      |         |     |       |
|     | 01C            | black<br>for<br>sun visors |         |     |       |     |             |      |         |     |       |
| 13  | 999 507 764 40 | clip                       |         | X   |       |     |             |      |         |     |       |
| 14  | 999 507 030 02 | speed nut                  |         | 2   |       |     |             |      |         |     |       |
| 15  | 900 151 027 02 | washer                     |         | 2   |       |     |             |      |         |     |       |
| 16  | 900 143 046 02 | tapping screw              |         | 2   |       |     |             |      |         |     |       |
|     |                | - - - E N D - - -          |         |     |       |     |             |      |         |     |       |

|       |      |    |    |              |              |        |       |            |         |     |         |
|-------|------|----|----|--------------|--------------|--------|-------|------------|---------|-----|---------|
| Model | Year | MG | SG | Illustration | Restrictions | Update | 11:44 | 25.11.2005 | PORSCHE | PET | PORSCHE |
| 996   | 05   | 8  | 12 | 812-00       |              | 194    |       |            |         |     |         |



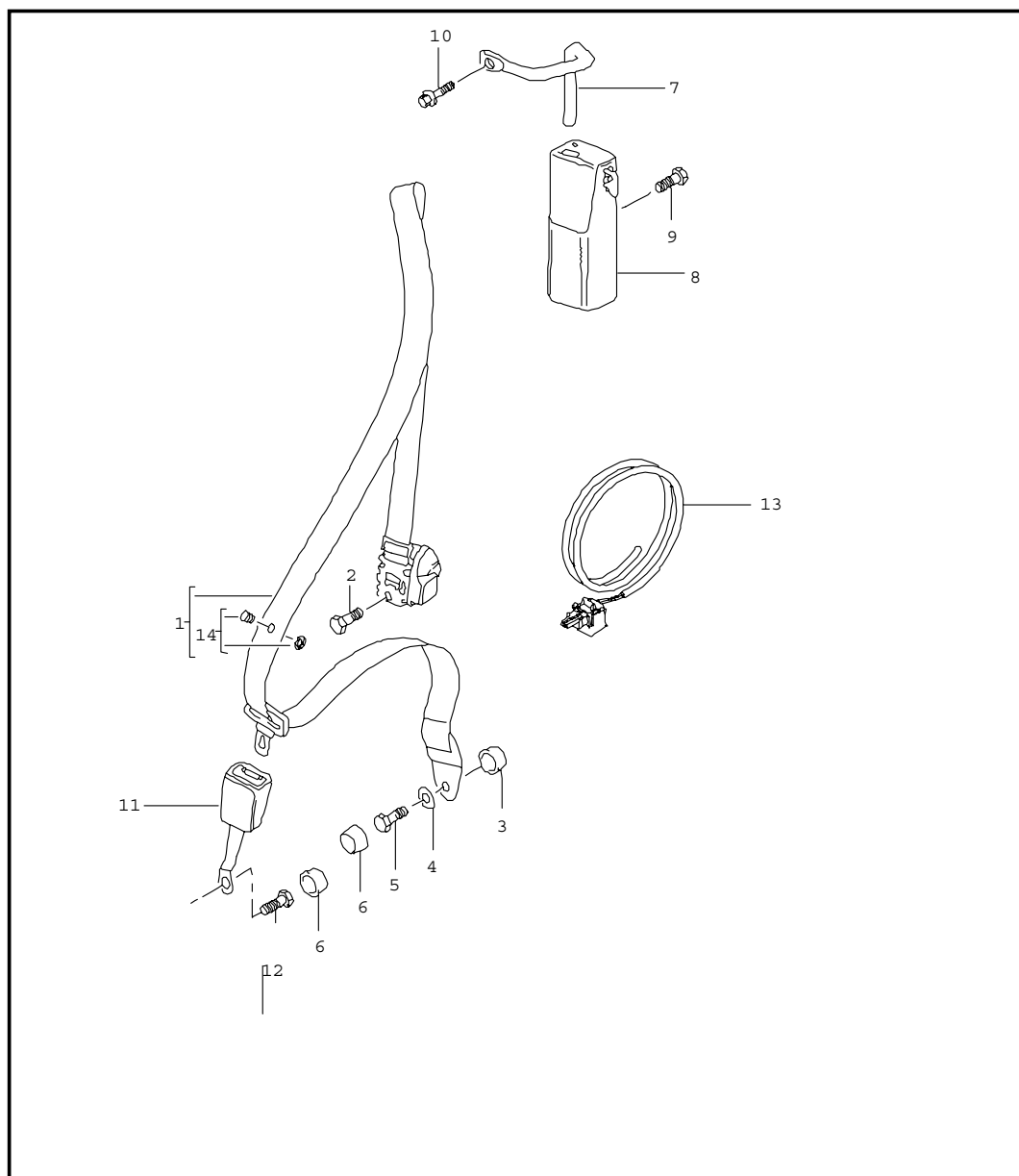
| Pos | Part Number    | Name                         | Remarks | Qty | Model          |
|-----|----------------|------------------------------|---------|-----|----------------|
|     |                | seat belt front              |         |     | COUPE<br>TARGA |
| 1   | 996 803 033 04 | seat belt                    | /L -01  | 1   |                |
| 1   | 996 803 033 02 | seat belt                    | /L 02-  | 1   |                |
| 1   | 996 803 981 04 | seat belt                    | /L 02-  | 1   |                |
|     | V02            | speed yellow                 |         |     |                |
|     | H03            | maritime blue                |         |     |                |
|     | N13            | guards red                   |         |     |                |
| (1) | 996 803 034 08 | seat belt                    | /R -01  | 1   |                |
| (1) | 996 803 034 04 | seat belt                    | /R 02-  | 1   |                |
| (1) | 996 803 034 06 | seat belt for child car seat | /R 02-  | 1   |                |
| (1) | 996 803 982 06 | seat belt                    | /R 02-  | 1   |                |
|     | V02            | speed yellow                 |         |     |                |
|     | H03            | maritime blue                |         |     |                |
|     | N13            | guards red                   |         |     |                |
| (1) | 996 803 982 08 | seat belt for child car seat | /R 02-  | 1   |                |
|     | V02            | speed yellow                 |         |     |                |
|     | H03            | maritime blue                |         |     |                |
|     | N13            | guards red                   |         |     |                |
| 2   | 911 803 150 00 | fastening screw              |         | 2   |                |
| 3   | 996 803 231 02 | height adjustment            |         | 2   |                |
| 4   | 900 067 131 02 | pan-head screw               |         | 2   |                |
| 5   | 996 803 825 01 | relay lever                  |         | 2   |                |
| 6   | 900 378 036 09 | hexagon-head bolt            |         | 4   |                |
| 7   | 996 803 541 00 | cover                        | -99     | 2   |                |
|     | 01C            | black                        |         |     |                |
| 7   | 996 803 521 00 | cover                        | 00-     | 2   |                |
|     | A03            | black                        |         |     |                |

|       |      |    |    |              |              |        |       |            |         |     |         |
|-------|------|----|----|--------------|--------------|--------|-------|------------|---------|-----|---------|
| Model | Year | MG | SG | Illustration | Restrictions | Update | 11:44 | 25.11.2005 | PORSCHE | PET | PORSCHE |
| 996   | 05   | 8  | 12 | 812-00       |              | 194    |       |            |         |     |         |

| Pos | Part Number    | Name                                 | Remarks | Qty | Model | Pos | Part Number | Name | Remarks | Qty | Model |
|-----|----------------|--------------------------------------|---------|-----|-------|-----|-------------|------|---------|-----|-------|
| 8   | 999 924 064 02 | spacer sleeve                        |         | 2   |       |     |             |      |         |     |       |
| 9   | 211 857 771    | washer                               |         | 2   |       |     |             |      |         |     |       |
| 10  | 999 075 073 09 | screw                                |         | 2   |       |     |             |      |         |     |       |
| 11  | 811 857 845    | cap                                  |         | 2   |       |     |             |      |         |     |       |
|     | 01C            | black                                |         |     |       |     |             |      |         |     |       |
| 12  | 996 803 183 04 | seat-belt buckle<br>driver's side    | -01     | 1   |       |     |             |      |         |     |       |
| 12  | 996 803 183 07 | seat-belt buckle<br>driver's side    | 02-     | 1   |       |     |             |      |         |     |       |
| 12  | 996 803 183 01 | seat-belt buckle<br>passenger's side | -01     | 1   |       |     |             |      |         |     |       |
| 12  | 996 803 183 08 | seat-belt buckle<br>passenger's side | 02-     | 1   |       |     |             |      |         |     |       |
| 13  | 999 218 101 02 | fastening screw                      |         | 2   |       |     |             |      |         |     |       |
| 15  | 996 612 991 10 | cable                                | /L      | X   |       |     |             |      |         |     |       |
| 15  | 996 612 991 00 | cable<br>for<br>seat-belt tensioner  | /R      | X   |       |     |             |      |         |     |       |
| 16  | 955 803 056 00 | knob                                 |         | 2   |       |     |             |      |         |     |       |
|     | HCP            | black                                |         |     |       |     |             |      |         |     |       |
|     |                | - - - E N D - - -                    |         |     |       |     |             |      |         |     |       |



|       |      |    |    |              |              |        |       |            |         |     |         |
|-------|------|----|----|--------------|--------------|--------|-------|------------|---------|-----|---------|
| Model | Year | MG | SG | Illustration | Restrictions | Update | 11:44 | 25.11.2005 | PORSCHE | PET | PORSCHE |
| 996   | 05   | 8  | 12 | 812-01       |              | 194    |       |            |         |     |         |

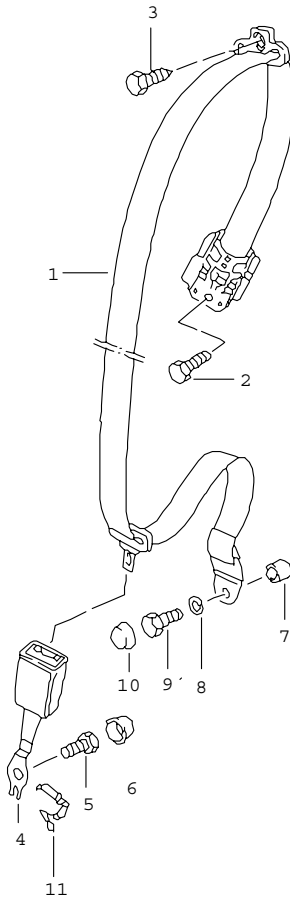


| Pos | Part Number    | Name                         | Remarks | Qty | Model  |
|-----|----------------|------------------------------|---------|-----|--------|
|     |                | seat belt front              |         |     | CABRIO |
| 1   | 996 803 033 01 | seat belt                    | /L -01  | 1   |        |
| 1   | 996 803 033 03 | seat belt                    | /L 02-  | 1   |        |
| 1   | 996 803 981 03 | seat belt                    | /L 02-  | 1   |        |
|     | V02            | speed yellow                 |         |     |        |
|     | H03            | maritime blue                |         |     |        |
|     | N13            | guards red                   |         |     |        |
| (1) | 996 803 034 01 | seat belt                    | /R -01  | 1   |        |
| (1) | 996 803 034 05 | seat belt                    | /R 02-  | 1   |        |
| (1) | 996 803 982 07 | seat belt                    | /R 02-  | 1   |        |
|     | V02            | speed yellow                 |         |     |        |
|     | H03            | maritime blue                |         |     |        |
|     | N13            | guards red                   |         |     |        |
| (1) | 996 803 982 09 | seat belt for child car seat | /R 02-  | 1   |        |
|     | V02            | speed yellow                 |         |     |        |
|     | H03            | maritime blue                |         |     |        |
|     | N13            | guards red                   |         |     |        |
| 2   | 911 803 150 00 | fastening screw              |         | 2   |        |
| 3   | 999 924 064 02 | spacer sleeve                |         | 2   |        |
| 4   | 211 857 771    | washer                       |         | 2   |        |
| 5   | 803 019 811 B  | fastening screw              |         | 2   |        |
| 6   | 811 857 845    | cap                          |         | 2   |        |
| 7   | 996 803 815 00 | reverse lever                | /L      | 1   |        |
| 7   | 996 803 816 00 | reverse lever                | /R      | 1   |        |
| 8   | 996 803 581 00 | mounting                     | /L      | 1   |        |
| 8   | 996 803 582 00 | mounting                     | /R      | 1   |        |
| 9   | 900 378 074 09 | fastening screw              |         | 4   |        |
| 10  | 900 378 017 09 | fastening screw              |         | 2   |        |

|       |      |    |    |              |              |        |       |            |         |     |         |
|-------|------|----|----|--------------|--------------|--------|-------|------------|---------|-----|---------|
| Model | Year | MG | SG | Illustration | Restrictions | Update | 11:44 | 25.11.2005 | PORSCHE | PET | PORSCHE |
| 996   | 05   | 8  | 12 | 812-01       |              | 194    |       |            |         |     |         |

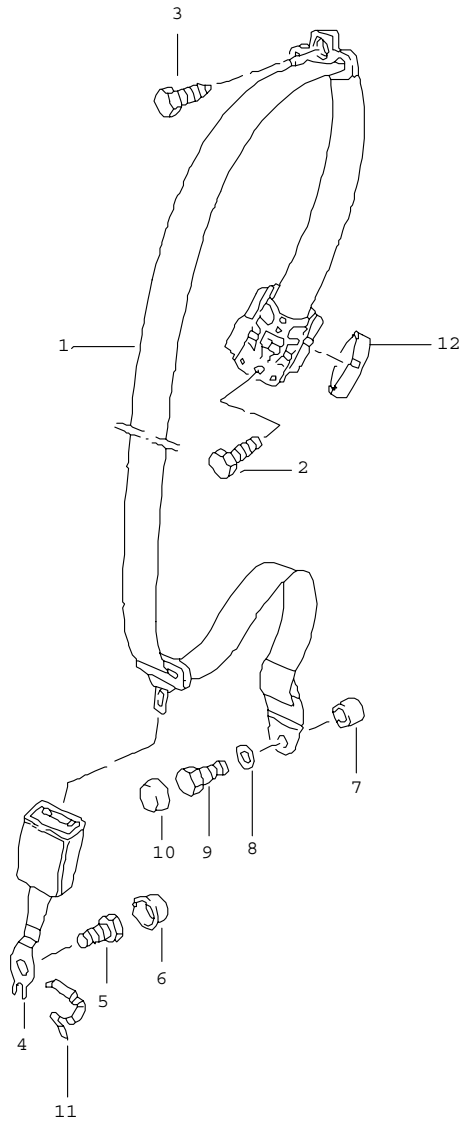
| Pos  | Part Number    | Name                                 | Remarks | Qty | Model | Pos | Part Number | Name | Remarks | Qty | Model |
|------|----------------|--------------------------------------|---------|-----|-------|-----|-------------|------|---------|-----|-------|
| 11   | 996 803 183 04 | seat-belt buckle<br>driver's side    | -01     | 1   |       |     |             |      |         |     |       |
| 11   | 996 803 183 07 | seat-belt buckle<br>driver's side    | 02-     | 1   |       |     |             |      |         |     |       |
| (11) | 996 803 183 01 | seat-belt buckle<br>passenger's side | -01     | 1   |       |     |             |      |         |     |       |
| 11   | 996 803 183 08 | seat-belt buckle<br>passenger's side | 02-     | 1   |       |     |             |      |         |     |       |
| 12   | 999 218 101 02 | fastening screw                      |         | 2   |       |     |             |      |         |     |       |
| 13   | 996 612 991 10 | cable                                | /L      | X   |       |     |             |      |         |     |       |
| 13   | 996 612 991 00 | cable<br>for<br>seat-belt tensioner  | /R      | X   |       |     |             |      |         |     |       |
| 14   | 955 803 056 00 | knob                                 |         | 2   |       |     |             |      |         |     |       |
|      | HCP            | black                                |         |     |       |     |             |      |         |     |       |
|      |                | - - - E N D - - -                    |         |     |       |     |             |      |         |     |       |

|       |      |    |    |              |              |        |       |            |         |     |         |
|-------|------|----|----|--------------|--------------|--------|-------|------------|---------|-----|---------|
| Model | Year | MG | SG | Illustration | Restrictions | Update | 11:44 | 25.11.2005 | PORSCHE | PET | PORSCHE |
| 996   | 05   | 8  | 12 | 812-05       |              | 194    |       |            |         |     |         |



| Pos | Part Number    | Name              | Remarks | Qty | Model |
|-----|----------------|-------------------|---------|-----|-------|
|     |                | seat belt rear    |         |     | COUPE |
| 1   | 996 803 035 08 | seat belt         | /L      | 1   |       |
| 1   | 996 803 983 06 | seat belt         | /L 02-  | 1   |       |
|     | V02            | speed yellow      |         |     |       |
|     | H03            | marine blue       |         |     |       |
|     | N13            | guards red        |         |     |       |
| (1) | 996 803 036 08 | seat belt         | /R      | 1   |       |
| (1) | 996 803 984 06 | seat belt         | /R 02-  | 1   |       |
|     | V02            | speed yellow      |         |     |       |
|     | H03            | marine blue       |         |     |       |
|     | N13            | guards red        |         |     |       |
| 2   | 911 803 150 00 | fastening screw   |         | 2   |       |
| 3   | 999 075 057 09 | fastening screw   |         | 2   |       |
| 4   | 996 803 165 01 | seat-belt buckle  | /L      | 1   |       |
| (4) | 996 803 166 01 | seat-belt buckle  | /R      | 1   |       |
| 5   | 911 803 150 00 | fastening screw   |         | 2   |       |
| 6   | 811 857 845    | cap               |         | 2   |       |
| 7   | 999 924 064 02 | spacer sleeve     |         | 2   |       |
| 8   | 211 857 771    | washer            |         | 2   |       |
| 9   | 803 019 811 B  | screw             |         | 2   |       |
| 10  | 811 857 845    | cap               |         | 2   | M 193 |
| 11  | 996 551 745 00 | clamp             | /L      | 2   |       |
| 11  | 996 551 746 00 | clamp             | /R      | 2   |       |
|     |                | - - - E N D - - - |         |     |       |

|       |      |    |    |              |              |        |       |            |         |     |         |
|-------|------|----|----|--------------|--------------|--------|-------|------------|---------|-----|---------|
| Model | Year | MG | SG | Illustration | Restrictions | Update | 11:44 | 25.11.2005 | PORSCHE | PET | PORSCHE |
| 996   | 05   | 8  | 12 | 812-06       |              | 194    |       |            |         |     |         |

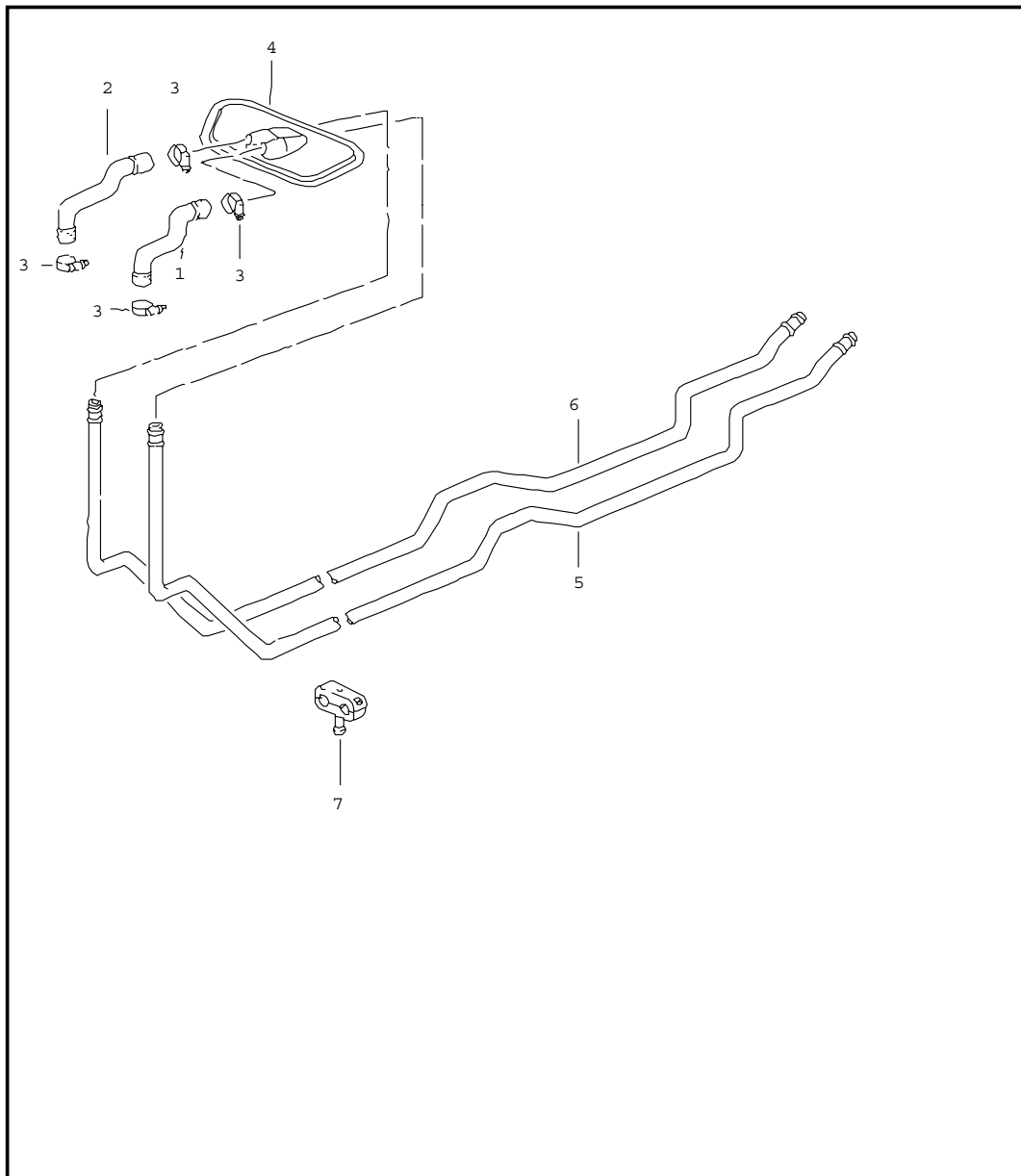


| Pos | Part Number    | Name             | Remarks | Qty | Model        |
|-----|----------------|------------------|---------|-----|--------------|
|     |                | seat belt rear   |         |     | CABRIO TARGA |
| 1   | 996 803 035 06 | seat belt        | /L      | 1   | CABRIO       |
| 1   | 996 803 983 08 | seat belt        | /L      | 1   | CABRIO       |
|     | V02            | speed yellow     |         |     |              |
|     | H03            | marine blue      |         |     |              |
|     | N13            | guards red       |         |     |              |
| 1   | 996 803 035 04 | seat belt        | /L      | 1   | TARGA        |
| 1   | 996 803 983 04 | seat belt        | /L      | 1   | TARGA        |
|     | V02            | speed yellow     |         |     |              |
|     | H03            | marine blue      |         |     |              |
|     | N13            | guards red       |         |     |              |
| 1   | 996 803 036 06 | seat belt        | /R      | 1   | CABRIO       |
| 1   | 996 803 984 08 | seat belt        | /R      | 1   | CABRIO       |
|     | V02            | speed yellow     |         |     |              |
|     | H03            | marine blue      |         |     |              |
|     | N13            | guards red       |         |     |              |
| 1   | 996 803 036 04 | seat belt        | /R      | 1   | TARGA        |
| 1   | 996 803 984 04 | seat belt        | /R      | 1   | TARGA        |
|     | V02            | speed yellow     |         |     |              |
|     | H03            | marine blue      |         |     |              |
|     | N13            | guards red       |         |     |              |
| 2   | 911 803 150 00 | fastening screw  |         | 2   | CABRIO       |
| 2   | 999 075 070 09 | fastening screw  |         | 2   | TARGA        |
| 3   | 999 075 057 09 | fastening screw  |         | 2   |              |
| 4   | 996 803 165 01 | seat-belt buckle | /L      | 1   |              |
| 4   | 996 803 166 01 | seat-belt buckle | /R      | 1   |              |
| 5   | 911 803 150 00 | fastening screw  |         | 2   |              |
| 6   | 811 857 845    | cap              |         | 2   |              |
| 7   | 999 924 064 02 | sleeve           |         | 2   |              |

|       |      |    |    |              |              |        |       |            |         |     |         |
|-------|------|----|----|--------------|--------------|--------|-------|------------|---------|-----|---------|
| Model | Year | MG | SG | Illustration | Restrictions | Update | 11:44 | 25.11.2005 | PORSCHE | PET | PORSCHE |
| 996   | 05   | 8  | 12 | 812-06       |              | 194    |       |            |         |     |         |

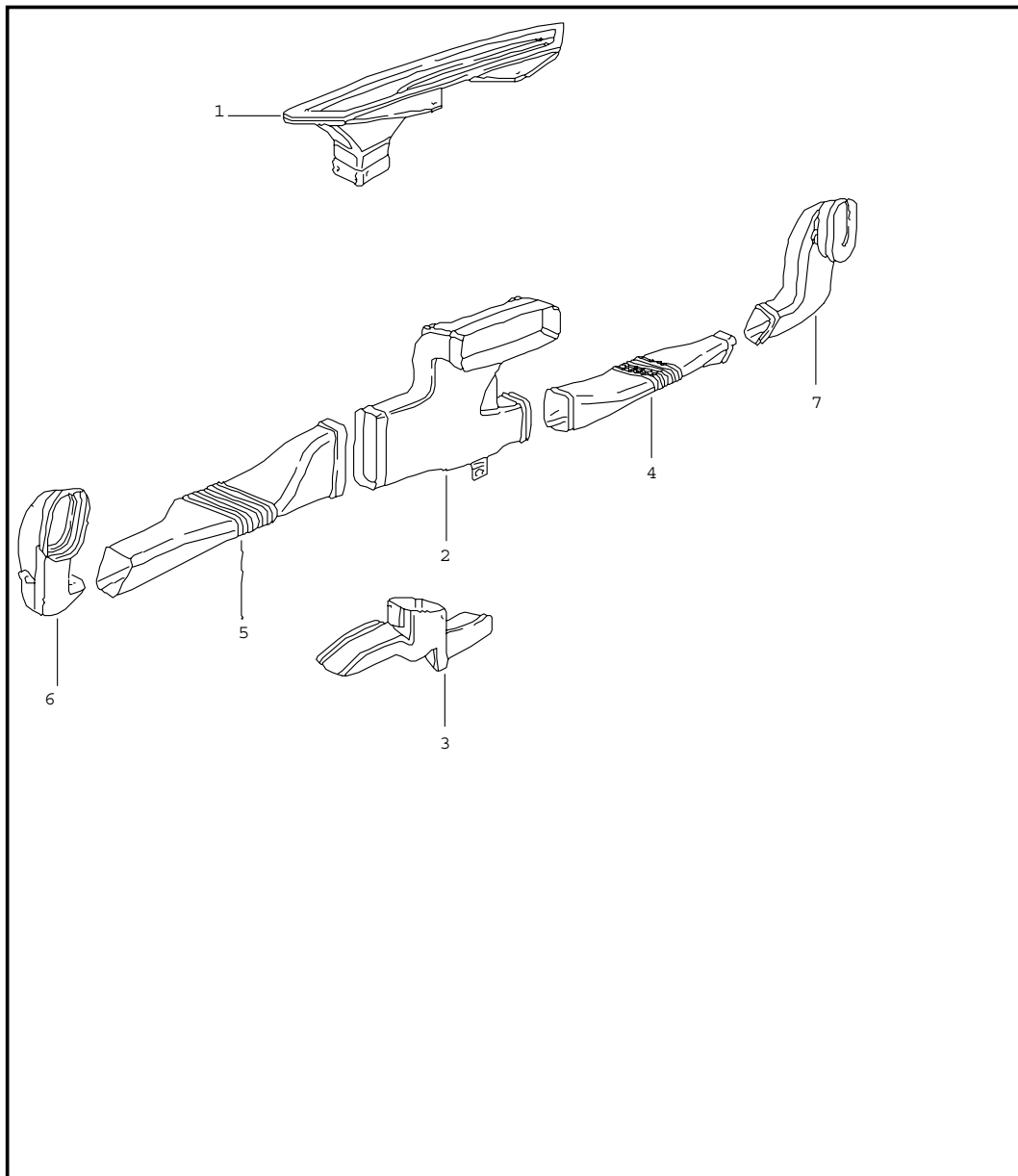
| Pos | Part Number    | Name              | Remarks | Qty | Model | Pos | Part Number | Name | Remarks | Qty | Model |
|-----|----------------|-------------------|---------|-----|-------|-----|-------------|------|---------|-----|-------|
| 8   | 211 857 771    | washer            |         | 2   |       |     |             |      |         |     |       |
| 9   | 803 019 811 B  | fastening screw   |         | 2   |       |     |             |      |         |     |       |
| 10  | 811 857 845    | cap               |         | 2   |       |     |             |      |         |     |       |
|     | 01C            | black             |         |     |       |     |             |      |         |     |       |
| 11  | 996 551 745 00 | clamp             |         | 2   |       |     |             |      |         |     |       |
| 12  | 996 803 545 00 | cap               |         | 2   | TARGA |     |             |      |         |     |       |
|     |                | - - - E N D - - - |         |     |       |     |             |      |         |     |       |

|       |      |    |    |              |              |        |       |            |         |     |         |
|-------|------|----|----|--------------|--------------|--------|-------|------------|---------|-----|---------|
| Model | Year | MG | SG | Illustration | Restrictions | Update | 11:45 | 25.11.2005 | PORSCHE | PET | PORSCHE |
| 996   | 05   | 8  | 13 | 813-00       |              | 194    |       |            |         |     |         |



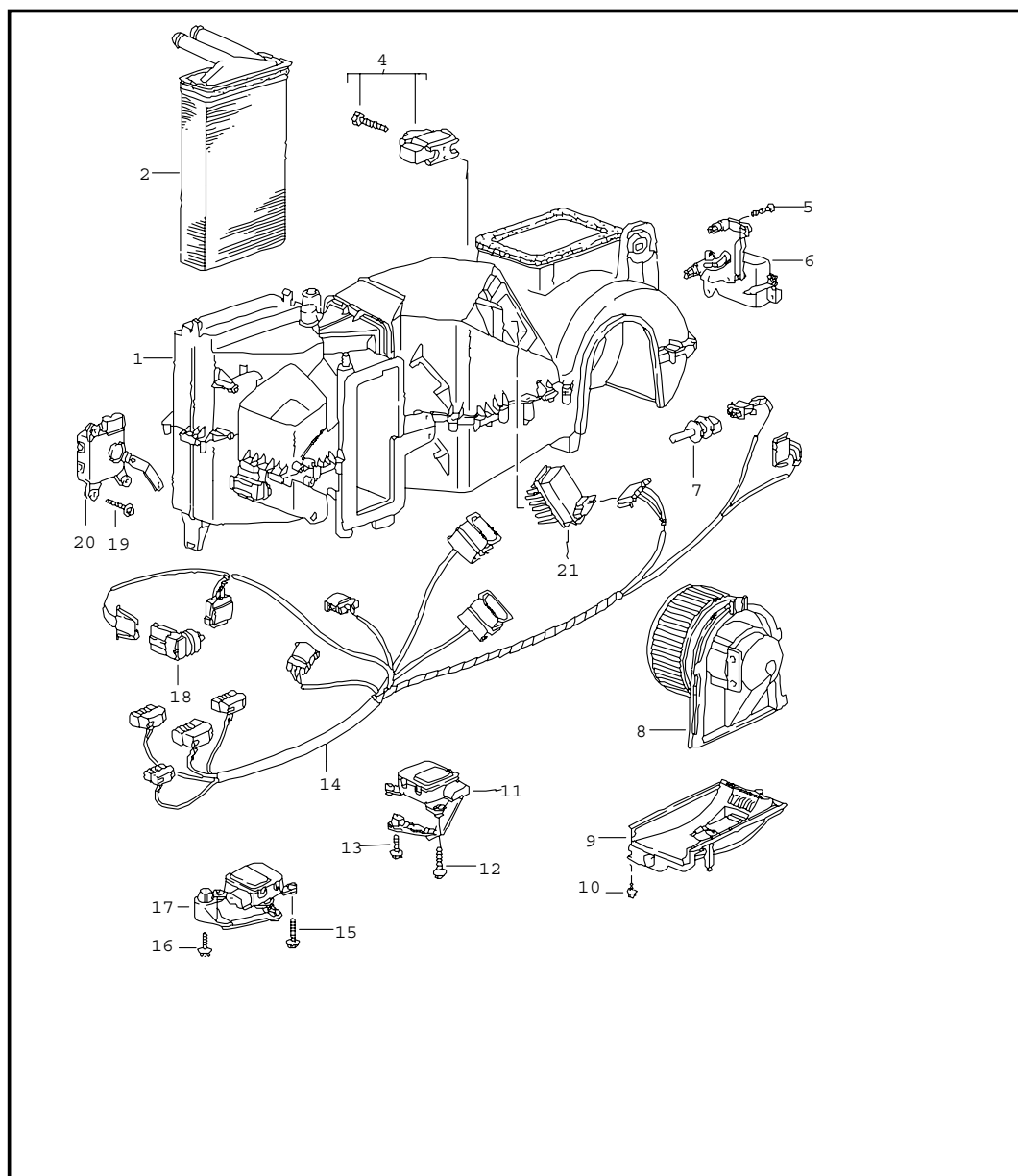
| Pos               | Part Number    | Name   | Remarks | Qty | Model |
|-------------------|----------------|--|---------|-----|-------|
|                   |                | heating system 1<br>feed line<br>return line |         |     |       |
| 1                 | 996 572 583 00 | heater hose                                  | /LL     | 1   |       |
| (1)               | 996 572 583 01 | heater hose                                  | /RL     | 1   |       |
| 2                 | 996 572 585 00 | heater hose                                  | /LL     | 1   |       |
| (2)               | 996 572 585 01 | heater hose                                  | /RL     | 1   |       |
| 3                 | 999 512 441 02 | clip   |         | 4   |       |
| 4                 | 996 572 263 00 | gasket                                       | /LL     | 1   |       |
| (4)               | 996 572 263 01 | gasket                                       | /RL     | 1   |       |
| 5                 | 996 572 681 03 | hot air duct                                 | -02     | 1   |       |
| 5                 | 996 572 681 05 | hot air duct<br>supply                       | 03-     | 1   |       |
| 6                 | 996 572 683 03 | hot air duct                                 | -02     | 1   |       |
| 6                 | 996 572 683 05 | hot air duct<br>return                       | 03-     | 1   |       |
| --                | 996 572 785 00 | connection piece                             |         | X   |       |
| 7                 | 999 511 230 40 | support                                      |         | 4   |       |
| --                | 999 511 232 41 | rubber mounting<br>19/19                     |         | 4   |       |
| - - - E N D - - - |                |  |         |     |       |

|       |      |    |    |              |              |        |       |            |         |     |         |
|-------|------|----|----|--------------|--------------|--------|-------|------------|---------|-----|---------|
| Model | Year | MG | SG | Illustration | Restrictions | Update | 11:45 | 25.11.2005 | PORSCHE | PET | PORSCHE |
| 996   | 05   | 8  | 13 | 813-01       |              | 194    |       |            |         |     |         |



| Pos | Part Number    | Name                       | Remarks | Qty | Model |
|-----|----------------|----------------------------|---------|-----|-------|
|     |                | heating<br>air distributor |         |     |       |
| 1   | 996 572 631 00 | defroster vent             | /LL     | 1   |       |
| (1) | 996 572 631 01 | defroster vent             | /RL     | 1   |       |
| 2   | 996 572 171 00 | air distributor            | /LL -01 | 1   |       |
| 2   | 996 572 171 04 | air distributor            | /LL 02- | 1   |       |
| (2) | 996 572 171 01 | air distributor            | /RL -01 | 1   |       |
| (2) | 996 572 171 05 | air distributor            | /RL 02- | 1   |       |
| 3   | 996 572 793 02 | footwell outlet vent       | /LL     | 1   |       |
| 3   | 996 572 793 04 | footwell outlet vent       | /LL     | 1   | M680  |
| (3) | 996 572 793 01 | footwell outlet vent       | /RL -02 | 1   |       |
| (3) | 996 572 793 05 | footwell outlet vent       | /RL 03- | 1   |       |
| (3) | 996 572 793 06 | footwell outlet vent       | /RL 03- | 1   | M680  |
| 4   | 996 572 464 01 | air duct                   | /LL /R  | 1   | -02   |
| 4   | 996 572 464 02 | air duct                   | /LL /R  | 1   | 03-   |
| 4   | 996 572 464 00 | air duct                   | /RL /R  | 1   |       |
| 5   | 996 572 463 00 | air duct                   | /LL /L  | 1   |       |
| 5   | 996 572 463 01 | air duct                   | /RL /L  | 1   | -02   |
| 5   | 996 572 463 02 | air duct                   | /RL /L  | 1   | 03-   |
| 6   | 996 572 767 00 | air duct                   | /LL /L  | 1   |       |
| 6   | 996 572 767 01 | air duct                   | /RL /L  | 1   |       |
| 7   | 996 572 768 00 | air duct                   | /RL /R  | 1   |       |
| (7) | 996 572 768 01 | air duct                   | /LL /R  | 1   |       |
|     |                | - - - E N D - - -          |         |     |       |

|       |      |    |    |              |              |        |       |            |         |     |         |
|-------|------|----|----|--------------|--------------|--------|-------|------------|---------|-----|---------|
| Model | Year | MG | SG | Illustration | Restrictions | Update | 11:45 | 25.11.2005 | PORSCHE | PET | PORSCHE |
| 996   | 05   | 8  | 13 | 813-05       |              | 194    |       |            |         |     |         |



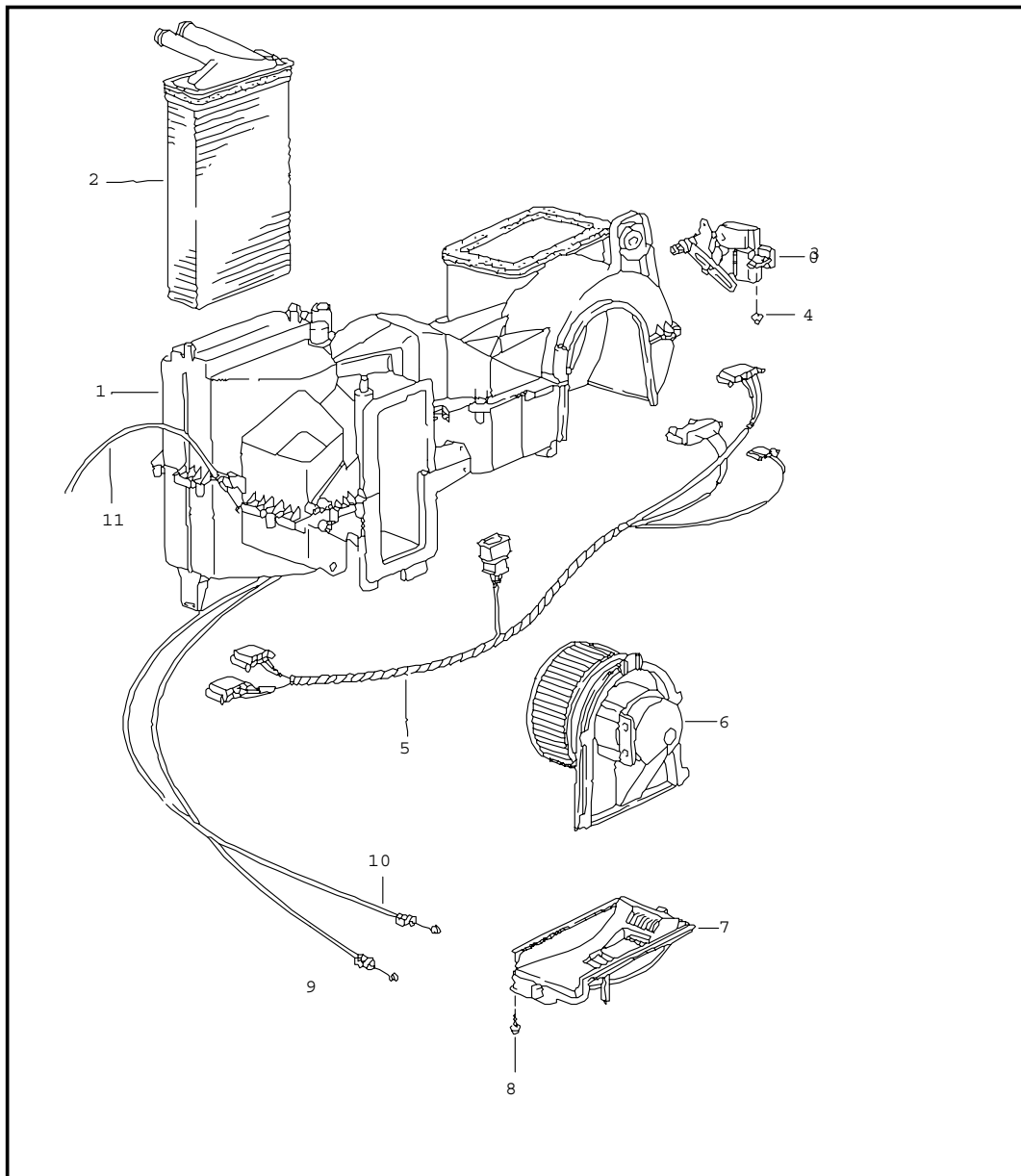
| Pos | Part Number    | Name   | Remarks        | Qty | Model |
|-----|----------------|--|----------------|-----|-------|
|     |                | air conditioner<br>single parts                                    |                |     | M 573 |
| 1   | 996 573 901 02 | air conditioner  | /LL            | 1   |       |
| 1   | 996 573 901 01 | air conditioner<br>without<br>heat exchanger<br>with<br>evaporator | /RL            | 1   |       |
| --  | 996 552 601 01 | support  |                | 1   |       |
| 2   | 996 572 129 00 | heat exchanger   |                | 1   |       |
| 4   | 996 573 929 01 | expansion valve  |                | 1   |       |
| 5   | 900 143 102 02 | tapping screw  |                | 2   |       |
| 6   | 996 573 915 00 | electric motor<br>central valve                                    | /LL            | 1   |       |
| 6   | 996 573 915 01 | electric motor<br>central valve                                    | /RL            | 1   |       |
| 7   | 1J0 907 543 B  | temperature sensor   |                | 1   |       |
| 8   | 996 572 903 02 | blower   | /LL -99        | 1   |       |
| 8   | 996 624 107 01 | blower<br>use also:  | /LL 00-<br>-99 | 1   |       |
| --  | 000 043 300 99 | parts kit  |                | 1   |       |
| 8   | 996 572 903 03 | blower   | /RL -99        | 1   |       |
| 8   | 996 624 108 01 | blower<br>use also:  | /RL 00-        | 1   |       |
| --  | 000 043 300 99 | parts kit  |                | 1   |       |
| 9   | 996 573 905 00 | cover  |                | 1   |       |
| 10  | 900 143 102 02 | hexagon-head bolt  |                | 1   |       |
| 11  | 996 573 919 00 | electric motor<br>temperature valve                                | /LL            | 1   |       |
| 11  | 996 573 919 01 | electric motor<br>temperature valve                                | /RL            | 1   |       |
| 12  | 900 143 102 02 | hexagon-head bolt  |                | 1   |       |
| 13  | 900 143 102 02 | hexagon-head bolt  |                | 1   |       |
| 14  | 996 612 047 00 | wiring harness   | /LL 98         | 1   |       |
| 14  | 996 612 047 01 | wiring harness   | /LL 99-        | 1   |       |



|       |      |    |    |              |              |        |       |            |         |     |         |
|-------|------|----|----|--------------|--------------|--------|-------|------------|---------|-----|---------|
| Model | Year | MG | SG | Illustration | Restrictions | Update | 11:45 | 25.11.2005 | PORSCHE | PET | PORSCHE |
| 996   | 05   | 8  | 13 | 813-05       |              | 194    |       |            |         |     |         |

| Pos  | Part Number    | Name   | Remarks | Qty | Model | Pos | Part Number | Name | Remarks | Qty | Model |
|------|----------------|--|---------|-----|-------|-----|-------------|------|---------|-----|-------|
| 14   | 996 622 047 00 | wiring harness                               | /LL 01- | 1   |       |     |             |      |         |     |       |
| (14) | 996 612 048 00 | wiring harness                               | /RL 98  | 1   |       |     |             |      |         |     |       |
| (14) | 996 612 048 01 | wiring harness                               | /RL 99- | 1   |       |     |             |      |         |     |       |
| (14) | 996 622 048 00 | wiring harness                               | /RL 01- | 1   |       |     |             |      |         |     |       |
| 15   | 900 143 102 02 | hexagon-head bolt                            |         | 1   |       |     |             |      |         |     |       |
| 16   | 900 143 102 02 | hexagon-head bolt                            |         | 1   |       |     |             |      |         |     |       |
| 17   | 996 573 917 00 | electric motor<br>defroster flap             | /LL     | 1   |       |     |             |      |         |     |       |
| 17   | 996 573 917 01 | electric motor<br>defroster flap             | /RL     | 1   |       |     |             |      |         |     |       |
| 18   | 1H0 907 543 A  | temperature sensor                           |         | 1   |       |     |             |      |         |     |       |
| 19   | 900 143 102 02 | hexagon-head bolt                            |         | 1   |       |     |             |      |         |     |       |
| 20   | 996 573 921 00 | electric motor<br>air flow sensor plate      | /LL     | 1   |       |     |             |      |         |     |       |
| 20   | 996 573 921 01 | electric motor<br>air flow sensor plate      | /RL     | 1   |       |     |             |      |         |     |       |
| 21   | 996 573 923 00 | resistor                                     |         | 1   |       |     |             |      |         |     |       |
| --   | 996 573 925 00 | intake air temper. sensor                    |         | 1   |       |     |             |      |         |     |       |
| --   | 996 573 927 00 | blower outlet sensor                         |         | 1   |       |     |             |      |         |     |       |
| --   | 996 572 511 02 | sound absorber                               | /LL -02 | 1   |       |     |             |      |         |     |       |
| --   | 996 572 511 04 | sound absorber                               | /LL 03- | 1   |       |     |             |      |         |     |       |
| --   | 996 572 511 03 | sound absorber                               | /RL -02 | 1   |       |     |             |      |         |     |       |
| --   | 996 572 511 05 | sound absorber                               | /RL 03- | 1   |       |     |             |      |         |     |       |
| --   | 1H0 819 943    | screw  |         | 2   |       |     |             |      |         |     |       |
| --   | 996 552 601 01 | support<br>for<br>heat. and ventilation unit |         | 1   |       |     |             |      |         |     |       |
|      |                | - - - E N D - - -                            |         |     |       |     |             |      |         |     |       |

|       |      |    |    |              |              |        |       |            |         |     |         |
|-------|------|----|----|--------------|--------------|--------|-------|------------|---------|-----|---------|
| Model | Year | MG | SG | Illustration | Restrictions | Update | 11:45 | 25.11.2005 | PORSCHE | PET | PORSCHE |
| 996   | 05   | 8  | 13 | 813-06       |              | 194    |       |            |         |     |         |

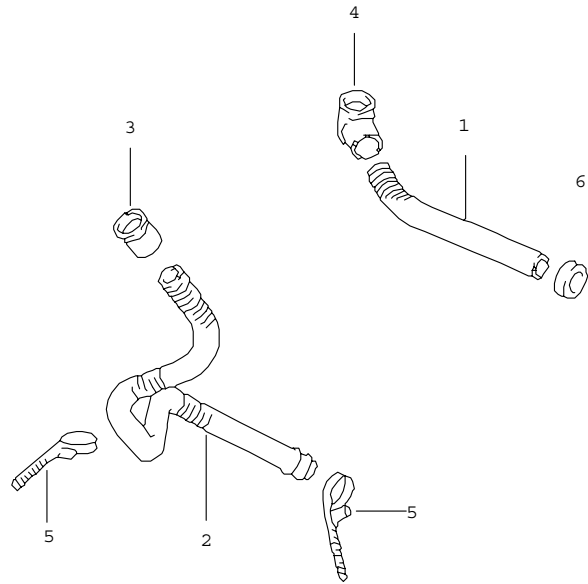


| Pos | Part Number    | Name                          | Remarks        | Qty | Model |
|-----|----------------|-------------------------------|----------------|-----|-------|
|     |                | heater<br>single parts        |                |     |       |
| 1   | 996 572 901 00 | housing                       | /LL            | 1   |       |
| (1) | 996 572 901 01 | housing                       | /RL            | 1   |       |
| 2   | 996 572 129 00 | heat exchanger                |                | 1   |       |
| 3   | 996 572 915 00 | electric motor                |                | 1   |       |
| 4   | 999 919 049 02 | tapping screw                 |                | 1   |       |
| 5   | 996 612 045 00 | wiring harness                | /LL 98         | 1   |       |
| 5   | 996 612 045 01 | wiring harness                | /LL 99-        | 1   |       |
| (5) | 996 612 046 00 | wiring harness                | /RL 98         | 1   |       |
| (5) | 996 612 046 01 | wiring harness                | /RL 99-        | 1   |       |
| 6   | 996 572 903 02 | blower                        | /LL -99        | 1   |       |
| 6   | 996 624 107 01 | blower<br>use also:           | /LL 00-<br>-99 | 1   |       |
| --  | 000 043 300 99 | parts kit                     |                | 1   |       |
| (6) | 996 572 903 03 | blower                        | /RL -99        | 1   |       |
| (6) | 996 624 108 01 | blower<br>use also:           | /RL 00-<br>-99 | 1   |       |
| --  | 000 043 300 99 | parts kit                     |                | 1   |       |
| 7   | 996 572 905 00 | cover<br>with<br>resistor     |                | 1   |       |
| 8   | 999 919 049 02 | tapping screw                 |                | 2   |       |
| 9   | 996 572 605 00 | traction<br>defroster         | /LL            | 1   |       |
| 9   | 996 572 605 01 | traction<br>defroster         | /RL            | 1   |       |
| 10  | 996 572 607 00 | traction<br>temperature valve | /LL            | 1   |       |
| 10  | 996 572 607 01 | traction<br>temperature valve | /RL            | 1   |       |
| 11  | 996 572 601 00 | traction<br>central valve     | /LL            | 1   |       |
| 11  | 996 572 601 01 | traction<br>central valve     | /RL            | 1   |       |

|       |      |    |    |              |              |        |       |            |         |     |         |
|-------|------|----|----|--------------|--------------|--------|-------|------------|---------|-----|---------|
| Model | Year | MG | SG | Illustration | Restrictions | Update |       |            |         |     |         |
| 996   | 05   | 8  | 13 | 813-06       |              | 194    | 11:45 | 25.11.2005 | PORSCHE | PET | PORSCHE |

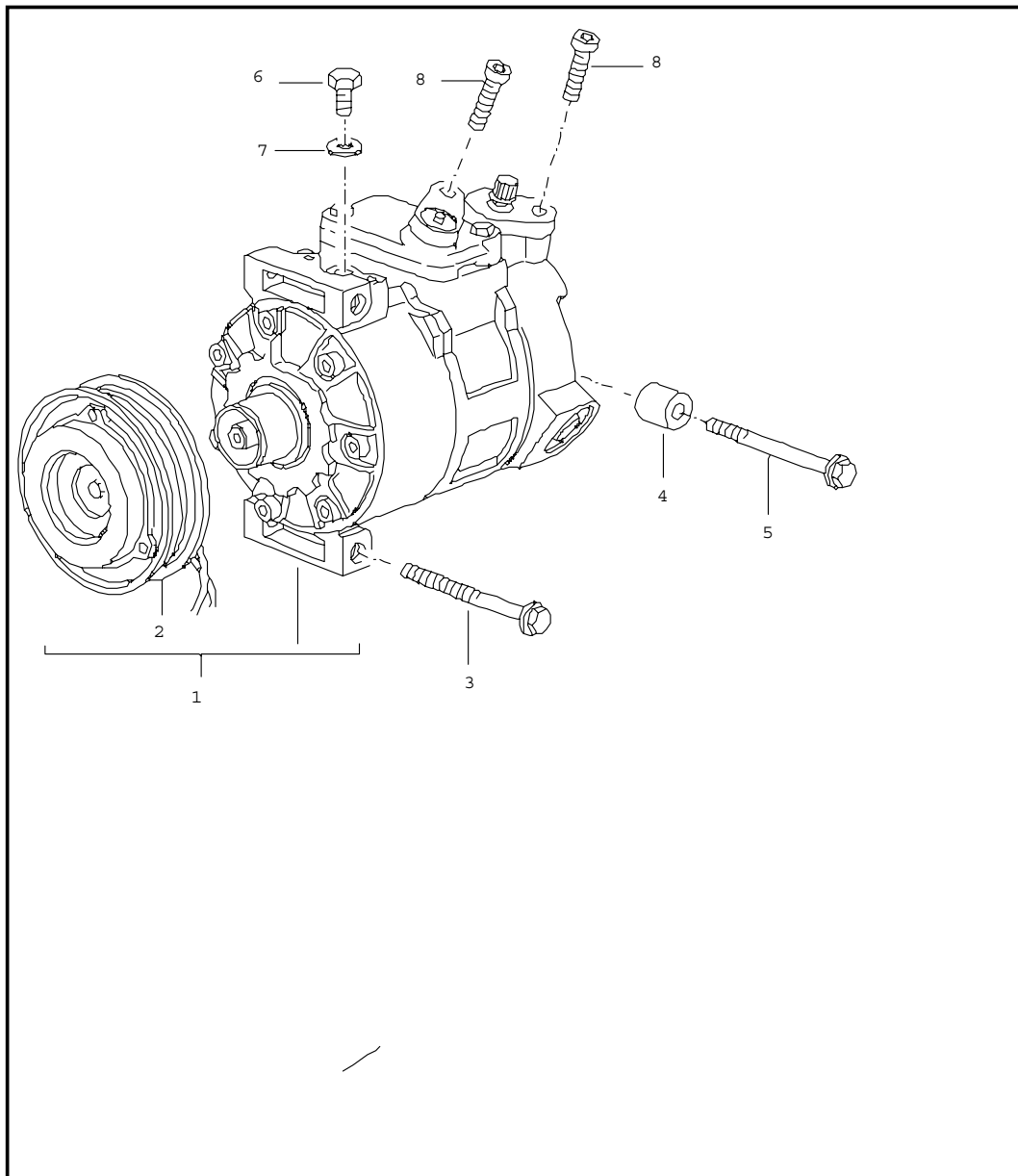
| Pos | Part Number | Name              | Remarks | Qty | Model | Pos | Part Number | Name | Remarks | Qty | Model |
|-----|-------------|-------------------|---------|-----|-------|-----|-------------|------|---------|-----|-------|
|     |             | - - - E N D - - - |         |     |       |     |             |      |         |     |       |

|       |      |    |    |              |              |        |       |            |         |     |         |
|-------|------|----|----|--------------|--------------|--------|-------|------------|---------|-----|---------|
| Model | Year | MG | SG | Illustration | Restrictions | Update | 11:45 | 25.11.2005 | PORSCHE | PET | PORSCHE |
| 996   | 05   | 8  | 13 | 813-10       |              | 194    |       |            |         |     |         |



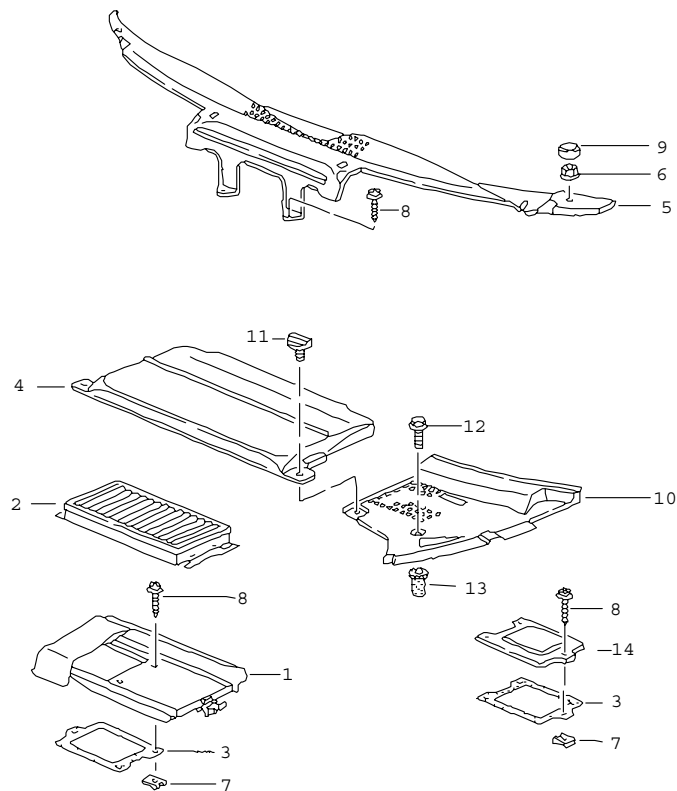
| Pos | Part Number    | Name   | Remarks | Qty | Model |
|-----|----------------|--|---------|-----|-------|
|     |                | water drain tube<br>mount<br>sound absorber<br>heater<br>air conditioner |         |     |       |
| 1   | 996 504 643 00 | water drain tube   |         | 1   |       |
| 2   | 996 504 644 00 | water drain tube   |         | 1   |       |
| 3   | 996 504 645 00 | grommet  |         | 1   |       |
| 4   | 996 504 646 00 | grommet  |         | 1   |       |
| 5   | 999 513 049 40 | tie-wrap   |         | 1   |       |
| 6   | 999 702 156 40 | grommet  |         | 1   |       |
| --  | 996 573 797 02 | connecting piece   |         | 1   |       |
| --  | 996 573 795 01 | grommet  |         | 1   |       |
| --  | 996 573 793 01 | water drain tube   |         | 1   |       |
| --  | 996 573 794 01 | water drain tube   |         | 1   |       |
| --  | 996 504 649 00 | grommet  |         | 2   |       |
|     |                | - - - E N D - - -  |         |     |       |

|       |      |    |    |              |              |        |       |            |         |     |         |
|-------|------|----|----|--------------|--------------|--------|-------|------------|---------|-----|---------|
| Model | Year | MG | SG | Illustration | Restrictions | Update | 11:45 | 25.11.2005 | PORSCHE | PET | PORSCHE |
| 996   | 05   | 8  | 13 | 813-15       |              | 194    |       |            |         |     |         |



| Pos | Part Number    | Name                         | Remarks | Qty | Model |
|-----|----------------|------------------------------|---------|-----|-------|
|     |                | compressor                   |         |     |       |
| 1   | 996 126 011 52 | compressor                   |         | 1   |       |
| 2   | 996 573 926 00 | magnetic clutch              |         | 1   |       |
| 3   | 900 378 075 09 | hexagon-head bolt<br>M 8X90  |         | 1   |       |
| 4   | 996 126 102 52 | spacer sleeve                | -03     | 1   |       |
| 4   | 996 126 102 53 | spacer sleeve                | 04-     | 1   |       |
| 5   | 900 378 136 09 | hexagon-head bolt<br>M 8X120 |         | 1   |       |
| 6   | 996 573 926 01 | hexagon-head bolt            |         | 1   |       |
| 7   | 996 573 926 02 | sealing ring                 |         | 1   |       |
| 8   | 900 067 252 02 | hexagon socket head bolt     |         | 2   |       |
|     |                | - - - E N D - - -            |         |     |       |

|       |      |    |    |              |              |        |       |            |         |     |         |
|-------|------|----|----|--------------|--------------|--------|-------|------------|---------|-----|---------|
| Model | Year | MG | SG | Illustration | Restrictions | Update | 11:46 | 25.11.2005 | PORSCHE | PET | PORSCHE |
| 996   | 05   | 8  | 13 | 813-20       |              | 194    |       |            |         |     |         |

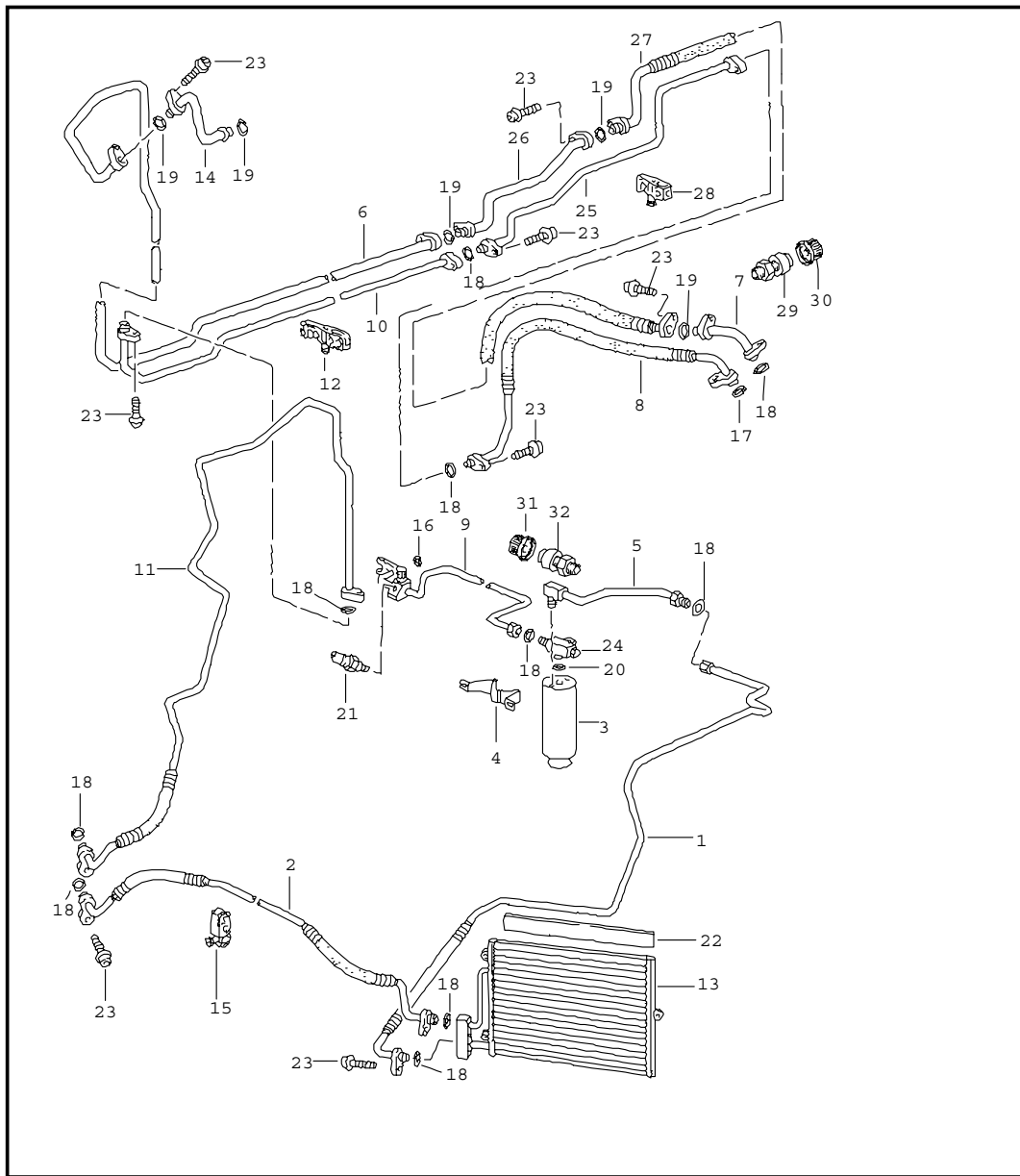


| Pos | Part Number    | Name                                   | Remarks | Qty | Model |
|-----|----------------|--|---------|-----|-------|
|     |                | particle filter<br>cowl panel covering |         |     |       |
| 1   | 996 572 019 02 | housing                                | /LL     | 1   |       |
| 1   | 996 572 019 03 | housing                                | /RL     | 1   |       |
| 2   | 996 572 219 01 | particle filter                        |         | 1   |       |
| 2   | 996 571 219 03 | particle filter                        |         | 1   | M 571 |
| 3   | 996 572 221 02 | gasket                                 | 02-     | 1   |       |
| 4   | 996 572 567 01 | cover                                  |         | 1   |       |
|     |                | 01C black<br>battery                   |         |     |       |
| (4) | 996 572 729 00 | cover<br>particle filter               | /LL     | 1   |       |
| (4) | 996 572 729 02 | cover<br>particle filter               | /RL     | 1   |       |
| 5   | 996 572 563 04 | cowl panel covering                    | /LL -00 | 1   |       |
|     |                | 01C black                              |         |     |       |
| 5   | 996 572 563 06 | cowl panel covering                    | /LL 01- | 1   |       |
|     |                | 01C black                              |         |     |       |
|     |                | use also:                              |         |     |       |
| -   | 996 572 931 00 | gasket                                 |         | 1   |       |
| -   | 996 572 661 00 | cover<br>vehicle identification no.    |         | 1   |       |
| 5   | 996 572 563 05 | cowl panel covering                    | /RL -00 | 1   |       |
|     |                | 01C black                              |         |     |       |
| 5   | 996 572 563 07 | cowl panel covering                    | /RL 01- | 1   |       |
|     |                | 01C black                              |         |     |       |
|     |                | use also:                              |         |     |       |
| -   | 996 572 931 00 | gasket                                 |         | 1   |       |
| 6   | 999 049 008 40 | plastic nut                            |         | 2   |       |
| 7   | 999 591 722 02 | speed nut                              |         | 3   |       |
| 8   | 999 073 142 09 | combination tapping screw              |         | 3   |       |
| 9   | 996 572 569 00 | cap                                    | -00     | 2   |       |

|       |      |    |    |              |              |        |       |            |         |     |         |
|-------|------|----|----|--------------|--------------|--------|-------|------------|---------|-----|---------|
| Model | Year | MG | SG | Illustration | Restrictions | Update | 11:46 | 25.11.2005 | PORSCHE | PET | PORSCHE |
| 996   | 05   | 8  | 13 | 813-20       |              | 194    |       |            |         |     |         |

| Pos  | Part Number    | Name              | Remarks | Qty | Model | Pos | Part Number | Name | Remarks | Qty | Model |
|------|----------------|-------------------|---------|-----|-------|-----|-------------|------|---------|-----|-------|
|      |                | 01C black         |         |     |       |     |             |      |         |     |       |
| (9)  | 996 572 569 01 | cap               | /L 01-  | 1   |       |     |             |      |         |     |       |
|      |                | 01C black         |         |     |       |     |             |      |         |     |       |
| (9)  | 996 572 570 01 | cap               | /R 01-  | 1   |       |     |             |      |         |     |       |
|      |                | 01C black         |         |     |       |     |             |      |         |     |       |
| 10   | 996 572 561 01 | cover             | /L      | 1   |       |     |             |      |         |     |       |
|      |                | 01C black         |         |     |       |     |             |      |         |     |       |
| (10) | 996 572 562 01 | cover             | /R      | 1   |       |     |             |      |         |     |       |
|      |                | 01C black         |         |     |       |     |             |      |         |     |       |
| 11   | 999 590 045 40 | screw plug        |         | X   |       |     |             |      |         |     |       |
| --   | 999 590 046 40 | disc cam          |         | X   |       |     |             |      |         |     |       |
| 12   | 999 073 143 09 | oval-head screw   |         | 2   |       |     |             |      |         |     |       |
| 13   | 999 500 092 00 | nut               |         | 2   |       |     |             |      |         |     |       |
| 14 A | 996 572 719 01 | cover             |         | 2   |       |     |             |      |         |     |       |
| 14   | 996 572 719 01 | cover             |         | 2   |       |     |             |      |         |     |       |
|      |                | - - - E N D - - - |         |     |       |     |             |      |         |     |       |

|       |      |    |    |              |              |        |       |            |         |     |         |
|-------|------|----|----|--------------|--------------|--------|-------|------------|---------|-----|---------|
| Model | Year | MG | SG | Illustration | Restrictions | Update | 11:46 | 25.11.2005 | PORSCHE | PET | PORSCHE |
| 996   | 05   | 8  | 13 | 813-25       |              | 194    |       |            |         |     |         |



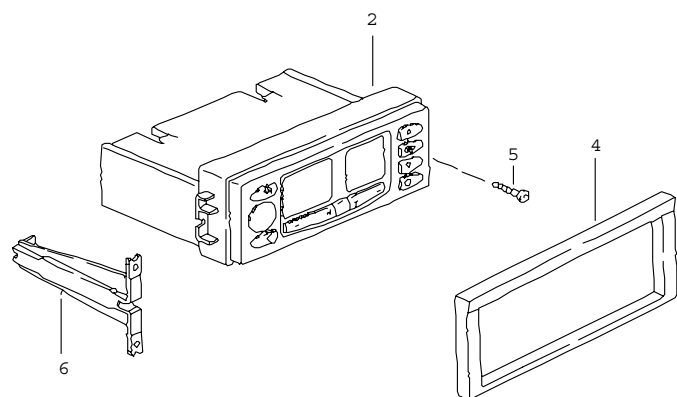
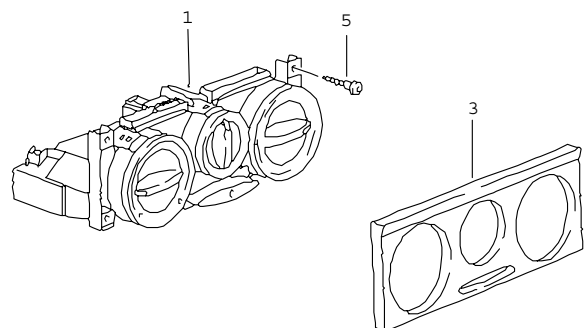
| Pos  | Part Number      | Name                | Remarks | Qty | Model |
|------|------------------|---------------------|---------|-----|-------|
|      |                  | refrigerant circuit |         |     |       |
| 1    | 996 573 105 03   | refrigerant line    | -01     | 1   |       |
| 1    | 996 573 105 05   | refrigerant line    | 02-     | 1   |       |
| 1    | A 996 573 105 04 | refrigerant line    | 02-     | 1   | C4S   |
| 1    | 996 573 105 06   | refrigerant line    | 02-     | 1   | C4S   |
| 2    | 996 573 104 02   | refrigerant line    |         | 1   |       |
| 2    | 996 573 104 03   | refrigerant line    |         | 1   | C4S   |
| 3    | 944 573 143 01   | desiccator          |         | 1   |       |
| 4    | 996 573 451 00   | support             |         | 1   |       |
| 5    | 996 573 106 00   | refrigerant line    |         | 1   |       |
| 6    | 996 573 091 01   | refrigerant line    |         | 1   |       |
| --   | 996 573 769 01   | grommet             |         | 1   |       |
| 7    | 996 573 099 02   | refrigerant line    |         | 1   |       |
| 8    | 996 573 097 02   | refrigerant line    |         | 1   |       |
| 9    | 996 573 108 01   | pressure line       | /RL     | 1   |       |
| (9)  | 996 573 108 02   | pressure line       | /LL -01 | 1   |       |
| (9)  | 996 573 108 03   | pressure line       | /LL 02- | 1   |       |
| 10   | 996 573 092 01   | pressure line       |         | 1   |       |
| 11   | 996 573 094 02   | refrigerant line    | -01     | 1   |       |
| 11   | 996 573 094 04   | refrigerant line    | 02-     | 1   |       |
| 11   | 996 573 094 03   | refrigerant line    |         | 1   | C4S   |
| 12   | 996 347 543 00   | cable holder        |         | 2   |       |
| 13   | 996 573 111 00   | condenser           |         | 2   |       |
| (13) | 996 573 111 03   | condenser           |         | 2   | C4S   |
| 14   | 996 573 093 02   | intake pipe         | /LL     | 1   |       |
| 14   | 996 573 093 03   | intake pipe         | /RL     | 1   |       |
| 15   | 999 511 230 40   | cable holder        |         | 2   |       |
| --   | 999 511 231 41   | rubber mounting     |         | 2   |       |
| 16   | 999 707 247 40   | o-ring<br>7,5X2     |         | 2   |       |



|       |      |    |    |              |              |        |       |            |         |     |         |
|-------|------|----|----|--------------|--------------|--------|-------|------------|---------|-----|---------|
| Model | Year | MG | SG | Illustration | Restrictions | Update | 11:46 | 25.11.2005 | PORSCHE | PET | PORSCHE |
| 996   | 05   | 8  | 13 | 813-25       |              | 194    |       |            |         |     |         |

| Pos    | Part Number    | Name                      | Remarks | Qty | Model | Pos | Part Number | Name | Remarks | Qty | Model |
|--------|----------------|---------------------------|---------|-----|-------|-----|-------------|------|---------|-----|-------|
| 17     | 999 707 382 40 | o-ring<br>23,8X2,4        |         | 8   |       |     |             |      |         |     |       |
| 18     | 999 707 250 40 | o-ring<br>10,6X2          |         | 8   |       |     |             |      |         |     |       |
| 19     | 999 707 252 40 | o-ring<br>17X2            |         | 3   |       |     |             |      |         |     |       |
| 20     | 999 707 262 40 | o-ring<br>6,7X1,8         |         | X   |       |     |             |      |         |     |       |
| 21     | 964 613 137 01 | pressure switch           |         | 1   |       |     |             |      |         |     |       |
| 22     | 996 573 711 00 | cover strip               |         | 2   |       |     |             |      |         |     |       |
| 22     | 996 573 711 01 | cover strip               |         | 2   | C4S   |     |             |      |         |     |       |
| 23     | 900 067 247 02 | screw                     |         | X   |       |     |             |      |         |     |       |
| 24     | 993 573 243 00 | distributing piece        |         | 1   |       |     |             |      |         |     |       |
| 25     | 996 573 096 02 | pressure line             |         | 1   |       |     |             |      |         |     |       |
| 26     | 996 573 931 00 | intake pipe               | -01     | 1   |       |     |             |      |         |     |       |
| 27     | 996 573 930 00 | intake pipe               | -01     | 1   |       |     |             |      |         |     |       |
| (27) A | 996 573 095 05 | intake pipe               | 02-     | 1   |       |     |             |      |         |     |       |
| (27)   | 996 573 095 07 | intake pipe               | 02-     | 1   |       |     |             |      |         |     |       |
| 28     | 999 511 230 40 | cable holder<br>use also: |         | X   |       |     |             |      |         |     |       |
| --     | 999 511 231 41 | rubber mounting           |         | X   |       |     |             |      |         |     |       |
| 29     | 996 573 465 00 | valve                     |         | 1   |       |     |             |      |         |     |       |
| 30     | 944 573 663 01 | valve cap                 |         | 1   |       |     |             |      |         |     |       |
| 31     | 944 573 663 02 | valve cap                 |         | 1   |       |     |             |      |         |     |       |
| 32     | 996 573 466 00 | valve                     |         | 1   |       |     |             |      |         |     |       |
|        |                | - - - E N D - - -         |         |     |       |     |             |      |         |     |       |

|       |      |    |    |              |              |        |       |            |         |     |         |
|-------|------|----|----|--------------|--------------|--------|-------|------------|---------|-----|---------|
| Model | Year | MG | SG | Illustration | Restrictions | Update | 11:46 | 25.11.2005 | PORSCHE | PET | PORSCHE |
| 996   | 05   | 8  | 13 | 813-45       |              | 194    |       |            |         |     |         |



| Pos               | Part Number    | Name                    | Remarks | Qty | Model     |
|-------------------|----------------|-------------------------|---------|-----|-----------|
|                   |                | control switch          |         |     |           |
| 1                 | 996 572 101 00 | control part            | -01     | 1   |           |
|                   | 01C            | black                   |         |     |           |
| 1                 | 996 572 101 01 | control part            | 02-     | 1   |           |
|                   | 01C            | black                   |         |     |           |
| -                 | 900 631 132 90 | bulb                    |         | 1   |           |
| 2                 | 996 653 101 03 | control part            | -01     | 1   | M 573     |
|                   | EFR            | black                   |         |     |           |
| 2                 | 996 653 101 08 | control part            | 02-     | 1   | M 573     |
|                   | EFR            | gloss black             |         |     |           |
| 2                 | 996 653 101 09 | control part            | 02-     | 1   | M 573     |
|                   | EFR            | black mat               |         |     |           |
| 2                 | 996 653 101 10 | control part            | 03-     | 1   |           |
|                   | FFA            | black mat               |         |     |           |
| 3                 | 996 552 153 01 | cover                   |         | 1   |           |
|                   | 01C            | black                   |         |     |           |
| 4                 | 996 552 677 00 | cover                   | -01     | 1   | M 573     |
|                   | 01C            | black                   |         |     |           |
| 4                 | 996 552 677 01 | cover                   | 02-     | 1   |           |
|                   | 01C            | black                   |         |     |           |
| (4)               | 996 552 339 00 | cover                   |         | 1   | M 573/662 |
|                   | 01C            | black                   |         |     |           |
| --                | 191 853 615 A  | grommet<br>for<br>POS.4 |         | X   |           |
| 5                 | 900 143 076 09 | tapping screw           |         | X   |           |
| 6                 | 996 573 501 00 | adapter                 |         | 2   | M 573     |
| - - - E N D - - - |                |                         |         |     |           |

PORSCHE

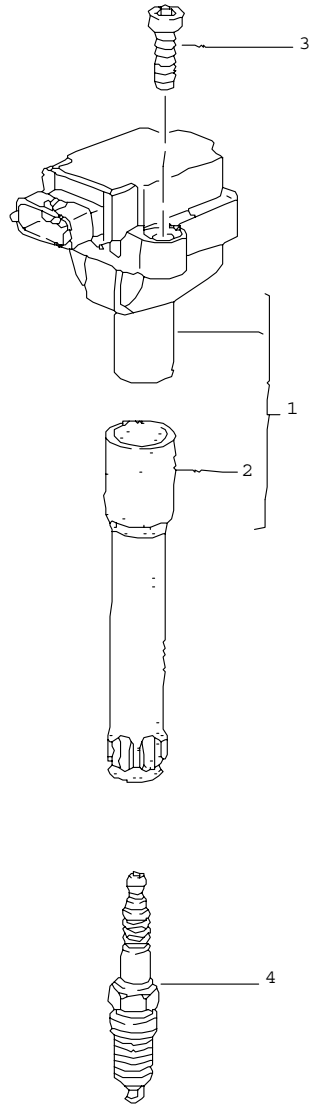
# PET

PORSCHE

|       |      |    |    |              |              |        |       |            |
|-------|------|----|----|--------------|--------------|--------|-------|------------|
| Model | Year | MG | SG | Illustration | Restrictions | Update | 13:41 | 28.11.2005 |
| 996   | 05   | 8  | 98 | REP          |              | 194    |       |            |

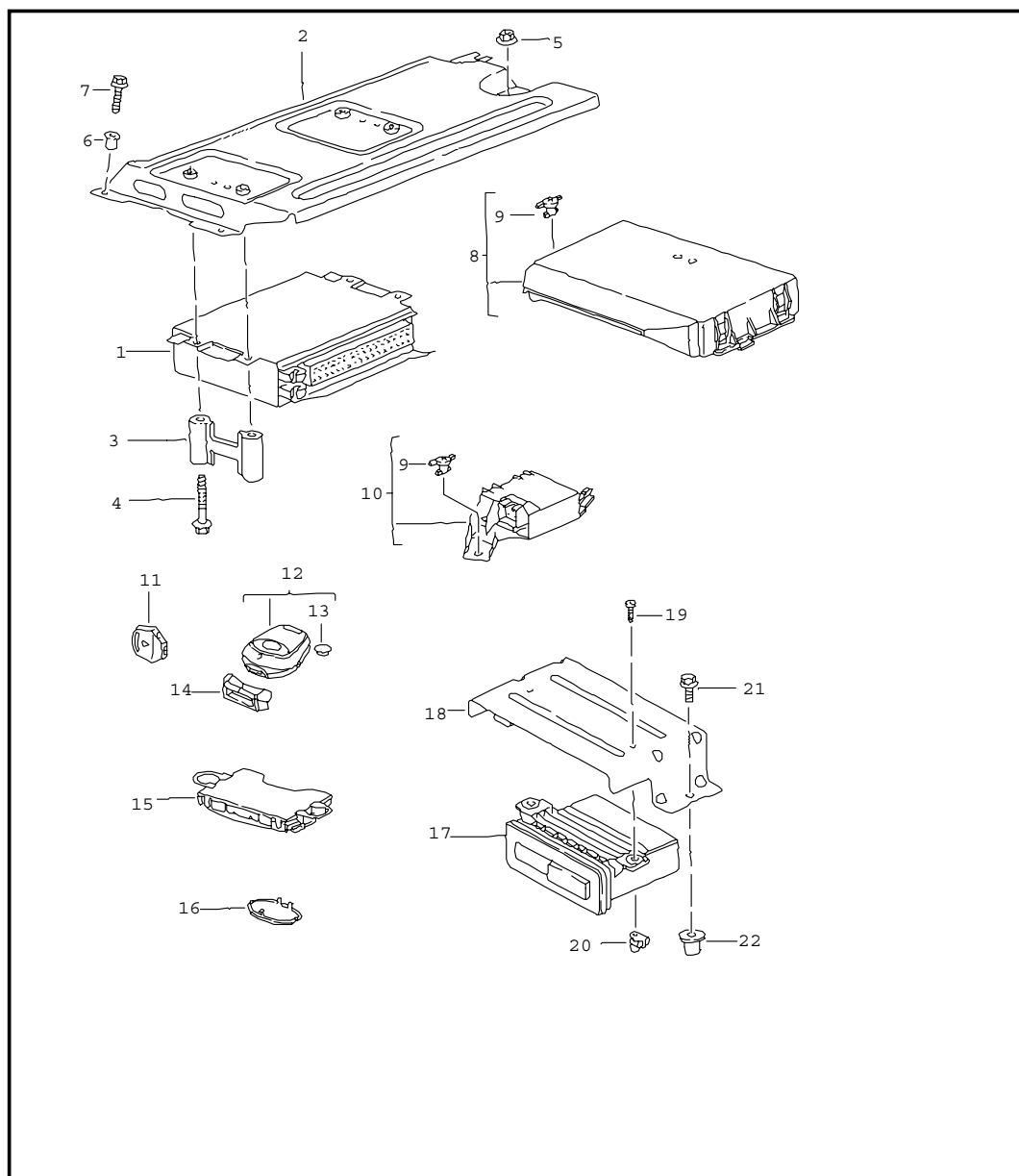
| Pos | Part Number      | Name              | Remarks | Qty | Model     |
|-----|------------------|-------------------|---------|-----|-----------|
|     |                  | repair kits       |         |     |           |
|     |                  | set of locks      |         |     |           |
| >>  | > 996 538 001 03 | set of locks      | -01     | 1   | M 531,532 |
| >>  | > 996 538 001 06 | set of locks      | 02-     | 1   | M 531,532 |
| >>  | > 996 538 001 04 | set of locks      | /LL -01 | 1   | M 534,535 |
| >>  | > 996 538 001 07 | set of locks      | /LL 02- | 1   | M 534,535 |
| >>  | > 996 538 001 05 | set of locks      | /RL -01 | 1   | M 534,535 |
| >>  | > 996 538 001 08 | set of locks      | /RL 02- | 1   | M 534,535 |
|     |                  | - - - E N D - - - |         |     |           |

|       |      |    |    |              |              |        |       |            |         |     |         |
|-------|------|----|----|--------------|--------------|--------|-------|------------|---------|-----|---------|
| Model | Year | MG | SG | Illustration | Restrictions | Update | 11:46 | 25.11.2005 | PORSCHE | PET | PORSCHE |
| 996   | 05   | 9  | 01 | 901-00       |              | 194    |       |            |         |     |         |



| Pos | Part Number    | Name                       | Remarks      | Qty | Model             |
|-----|----------------|----------------------------|--------------|-----|-------------------|
|     |                | ignition system            |              |     |                   |
| 1   | 996 602 101 01 | ignition coil              | -01          | 6   | M 96.01/04        |
| -   | 999 652 916 40 | connector housing          |              | 6   |                   |
| -   | 999 650 052 12 | connector                  |              | 18  |                   |
| -   | 999 704 161 40 | gasket                     |              | 18  |                   |
| -   | 996 607 401 00 | rubber sleeve              |              | 4   |                   |
| -   | 996 607 402 00 | rubber sleeve              |              | 2   |                   |
| 1   | 996 602 104 00 | ignition coil              | 02-          | 6   | M 96.03           |
| 2   | 996 602 103 01 | spark plug socket          | -01          | 6   | M 96.01/04        |
| 2   | 996 602 105 00 | spark plug socket          | 02-          | 6   | M 96.03           |
| 3   | 900 067 089 09 | pan-head screw<br>M 6 X 25 |              | 12  |                   |
|     |                | M                          | >> 664 08139 |     |                   |
|     |                | M                          | >> 684 01577 |     | X51               |
| 3   | 900 387 008 09 | torx screw<br>M 6 X 25     |              | 12  |                   |
|     |                | M 664 08140                | >>           |     | M 96.03           |
|     |                | M 684 01578                | >>           |     | M 96.03 X51       |
| 4   | 999 170 207 91 | spark plug<br>14FGR 6KQU   | -01          | 6   | M 96.01/02/<br>04 |
| 4   | 999 170 223 90 | spark plug<br>FGR 5KQE0    | 02-          | 6   | M 96.03           |
|     |                | - - - E N D - - -          |              |     |                   |

|       |      |    |    |              |              |        |       |            |         |     |         |
|-------|------|----|----|--------------|--------------|--------|-------|------------|---------|-----|---------|
| Model | Year | MG | SG | Illustration | Restrictions | Update | 11:46 | 25.11.2005 | PORSCHE | PET | PORSCHE |
| 996   | 05   | 9  | 01 | 901-03       |              | 194    |       |            |         |     |         |



| Pos | Part Number    | Name   | Remarks | Qty | Model                          |
|-----|----------------|--|---------|-----|--------------------------------|
|     |                | control units  |         |     |                                |
| 1   | 996 618 601 04 | control unit<br>- dme -  | -99     | 1   |                                |
| (1) | 996 618 605 00 | control unit<br>- dme -  | -01     | 1   | M 620                          |
| (1) | 996 618 604 00 | control unit<br>- dme -<br>see technical information<br>GR.2 NR.8/02       | 02-     | 1   | M 620                          |
| (1) | 996 618 150 00 | control unit<br>fuel pump  | 02-     | 1   | M 339/M 664                    |
| -   | 999 919 125 09 | hexagon-head bolt<br>6,0 X16<br>for<br>control unit<br>fuel pump           | 02-     | 2   | M 339/M 664                    |
| (1) | 996 618 114 01 | control unit<br>tiptronic<br>F >>99XS6 00762<br>F >>99XS6 40394            |         | 1   | M 249,M 338<br>COUPE<br>CABRIO |
| (1) | 996 618 114 02 | control unit<br>tiptronic<br>F 99XS6 00763>><br>F 99XS6 40395>>            | -99     | 1   | M 249,M 338<br>COUPE<br>CABRIO |
| (1) | 996 618 132 02 | control unit<br>tiptronic  | 99      | 1   | M 249,M 339                    |
| (1) | 996 618 120 02 | control unit<br>tiptronic  | -01     | 1   | M 249                          |
| (1) | 996 618 180 07 | control unit<br>tiptronic<br>see technical information<br>GR. 3 , NR. 6/02 | 02-     | 1   | M 249                          |
| 2   | 996 618 129 00 | support<br>control unit<br>- dme -<br>TIPTRONIC                            | -00     | 1   | COUPE                          |
| (2) | 996 618 129 01 | support<br>control unit<br>- dme -<br>TIPTRONIC                            | 01-     | 1   | COUPE                          |
| (2) | 996 618 131 00 | support<br>control unit<br>- dme -   |         | 2   | CABRIO                         |

|       |      |    |    |              |              |        |       |            |         |     |         |
|-------|------|----|----|--------------|--------------|--------|-------|------------|---------|-----|---------|
| Model | Year | MG | SG | Illustration | Restrictions | Update | 11:46 | 25.11.2005 | PORSCHE | PET | PORSCHE |
| 996   | 05   | 9  | 01 | 901-03       |              | 194    |       |            |         |     |         |

| Pos | Part Number    | Name  | Remarks | Qty | Model        | Pos | Part Number    | Name  | Remarks | Qty | Model |
|-----|----------------|---|---------|-----|--------------|-----|----------------|---|---------|-----|-------|
| (2) | 996 618 133 00 | support control unit tiptronic  | -01     | 2   | CABRIO M 249 | 8   | 996 618 262 02 | control unit anti-drive-off feature central locking system alarm system | 01-     | 1   | M 534 |
| (2) | 996 618 257 00 | support control unit tiptronic F >>994S6 52490                          | 02-04   | 1   | M 249        | -   | 996 612 034 00 | cable antenna for POS. 8  | 01-     | 1   | M 534 |
| (2) | 996 618 257 01 | support control unit tiptronic F 994S6 52491>>                          | 04-     | 1   | M 249        | 8   | 996 618 260 07 | control unit anti-drive-off feature central locking system alarm system | -00     | 1   | M 535 |
| 3   | 996 618 214 00 | spacer  | -01     | 2   | COUPE M 249  | 8   | 996 618 262 03 | control unit anti-drive-off feature central locking system alarm system | 01-     | 1   | M 535 |
| 4   | 900 378 036 09 | hexagon-head bolt M 6 X 12  |         | 4   | COUPE        | -   | 996 612 035 00 | cable antenna for POS. 8  | 01-     | 1   | M 535 |
| (4) | 900 378 032 09 | hexagon-head bolt M 6 X 50  | -01     | 4   | COUPE M 249  | -   | 996 612 054 00 | connecting line antenna booster control unit POS. 8                     | 03-     | 1   | M 665 |
| (4) | 900 146 040 02 | screw M 6 X 25  | 02-     | 1   | M 249        | -   | 999 607 064 00 | fuse 15 A for POS. 8  |         | X   |       |
| 5   | 999 084 629 09 | hexagon nut M 6   |         | 1   | COUPE        | -   | 999 507 925 40 | fixing clip for wiring harness seat                                     |         | 1   |       |
| 6   | 999 500 078 00 | sheetmetal press nut M 6  | -00     | 2   | COUPE        | -   | 999 650 161 40 | plug socket for POS. 8  |         | 1   |       |
| 6   | 999 500 078 00 | sheetmetal press nut M 6  | 02-     | 1   | M 249        | -   | 999 650 099 12 | connector   |         | X   |       |
| 7   | 900 075 413 09 | screw M 6 X 16 Z2   | -00     | 2   | COUPE        | -   | 999 650 097 40 | cap white   |         | 1   |       |
| (7) | 999 084 629 09 | hexagon nut M 6   | 01-     | 2   | COUPE        | -   | 999 650 101 40 | cap white   |         | 1   | M 534 |
| (7) | 999 073 060 02 | tapping screw 4,8 X 13  |         | X   | CABRIO       | -   | 999 650 102 40 | cap blue  |         | 1   | M 535 |
| -   | -              | control unit folding top control see group 8/11/15                      |         | 1   | CABRIO       |     |                |   |         |     |       |
| -   | -              | control unit roll-over bar see group 8/11/15                            |         | 1   | CABRIO       |     |                |   |         |     |       |
| 8   | 996 618 260 06 | control unit anti-drive-off feature central locking system alarm system | -00     | 1   | M 534        |     |                |   |         |     |       |

|       |      |    |    |              |              |        |       |            |         |     |         |
|-------|------|----|----|--------------|--------------|--------|-------|------------|---------|-----|---------|
| Model | Year | MG | SG | Illustration | Restrictions | Update | 11:46 | 25.11.2005 | PORSCHE | PET | PORSCHE |
| 996   | 05   | 9  | 01 | 901-03       |              | 194    |       |            |         |     |         |

| Pos    | Part Number    | Name   | Remarks        | Qty | Model                                | Pos    | Part Number    | Name  | Remarks        | Qty | Model                                |
|--------|----------------|--|----------------|-----|--------------------------------------|--------|----------------|---|----------------|-----|--------------------------------------|
| -      | 999 650 113 40 | plug socket<br>12-pole<br>black                          |                | 1   |                                      | 12     | 996 637 243 01 | remote control  | -00            | 1   | M 535                                |
| -      | N 903 353 04   | connector<br>2,5   |                | X   |                                      | -      | 996 637 247 00 | remote control<br>upper part<br>for<br>996.637.243.01       | -00            | 1   | M 535                                |
| -      | N 903 352 04   | connector<br>1,0   |                | X   |                                      | 12 A   | 996 637 244 31 | remote control  | 01-<br>01-     | 1   | COUPE M 535<br>CABRIO M 533<br>M 535 |
| 9      | 996 618 261 00 | locking device   |                | 1   |                                      | 12 U   | 996 637 244 36 | remote control  | 01-03<br>01-03 | 1   | COUPE M 535<br>CABRIO M 533<br>M 535 |
| 10     | 996 618 159 01 | signal transducer  |                | 1   |                                      | 12     | 996 637 244 42 | remote control  | 01-<br>01-     | 1   | COUPE M 535<br>CABRIO M 533<br>M 535 |
| 11     | 996 637 041 00 | key lamp   |                | 1   | M 532                                | -      | 996 637 353 00 | remote control<br>upper part<br>for<br>996.637.244.31/36/42 | 01-            | 1   |                                      |
| -      | 928 537 630 02 | bulb<br>for<br>key lamp                                  |                | X   |                                      | (12) U | 996 637 244 34 | remote control  | 01-02          | 1   | CABRIO M 535                         |
| 12     | 996 637 243 00 | remote control   | -00<br>-00     | 1   | COUPE M 534<br>CABRIO M 533<br>M 534 | (12) U | 996 637 244 37 | remote control  | 03             | 1   | CABRIO M 535                         |
| -      | 996 637 247 00 | remote control<br>upper part<br>for<br>996.637.243.00    | -00            | 1   |                                      | (12)   | 996 637 244 43 | remote control  | 01-            | 1   | CABRIO M 535                         |
| 12 U   | 996 637 244 30 | remote control   | 01-03<br>01-03 | 1   | COUPE M 534<br>CABRIO M 533<br>M 534 | -      | 996 637 355 00 | remote control<br>upper part<br>for<br>996.637.244.34/37/43 | 01-            | 1   |                                      |
| 12     | 996 637 244 40 | remote control   | 01-<br>01-     | 1   | COUPE M 534<br>CABRIO M 533<br>M 534 | 12     | 996 637 243 02 | remote control  | -00<br>98      | 1   | COUPE (J)<br>CABRIO (J)<br>M 535     |
| -      | 996 637 353 00 | remote control<br>upper part<br>for<br>996.637.244.30/40 | 01-            | 1   |                                      | -      | 996 637 247 00 | remote control<br>upper part<br>for<br>996.637.243.02       |                | 1   |                                      |
| (12)   | 996 637 243 20 | remote control   | -00            | 1   | CABRIO M 534                         | 12 U   | 996 637 244 32 | remote control  | 01-03          | 1   | COUPE (J)<br>M 535                   |
| -      | 996 637 347 00 | remote control<br>upper part<br>for<br>996.637.243.20    | -00            | 1   |                                      | 12     | 996 637 244 44 | remote control  | 01-            | 1   | COUPE (J)<br>M 535                   |
| (12) U | 996 637 244 33 | remote control   | 01-03          | 1   | CABRIO M 534                         | -      | 996 637 353 00 | remote control<br>upper part<br>for<br>996.637.244.32/44    | 01-            | 1   |                                      |
| (12)   | 996 637 244 41 | remote control   | 01-            | 1   | CABRIO M 534                         | (12)   | 996 637 243 22 | remote control  | -00            | 1   | CABRIO (J)<br>M 535                  |
| -      | 996 637 355 00 | remote control<br>upper part<br>for<br>996.637.244.33/41 | 01-            | 1   |                                      |        |                |   |                |     |                                      |

|       |      |    |    |              |              |        |       |            |         |     |         |
|-------|------|----|----|--------------|--------------|--------|-------|------------|---------|-----|---------|
| Model | Year | MG | SG | Illustration | Restrictions | Update | 11:46 | 25.11.2005 | PORSCHE | PET | PORSCHE |
| 996   | 05   | 9  | 01 | 901-03       |              | 194    |       |            |         |     |         |

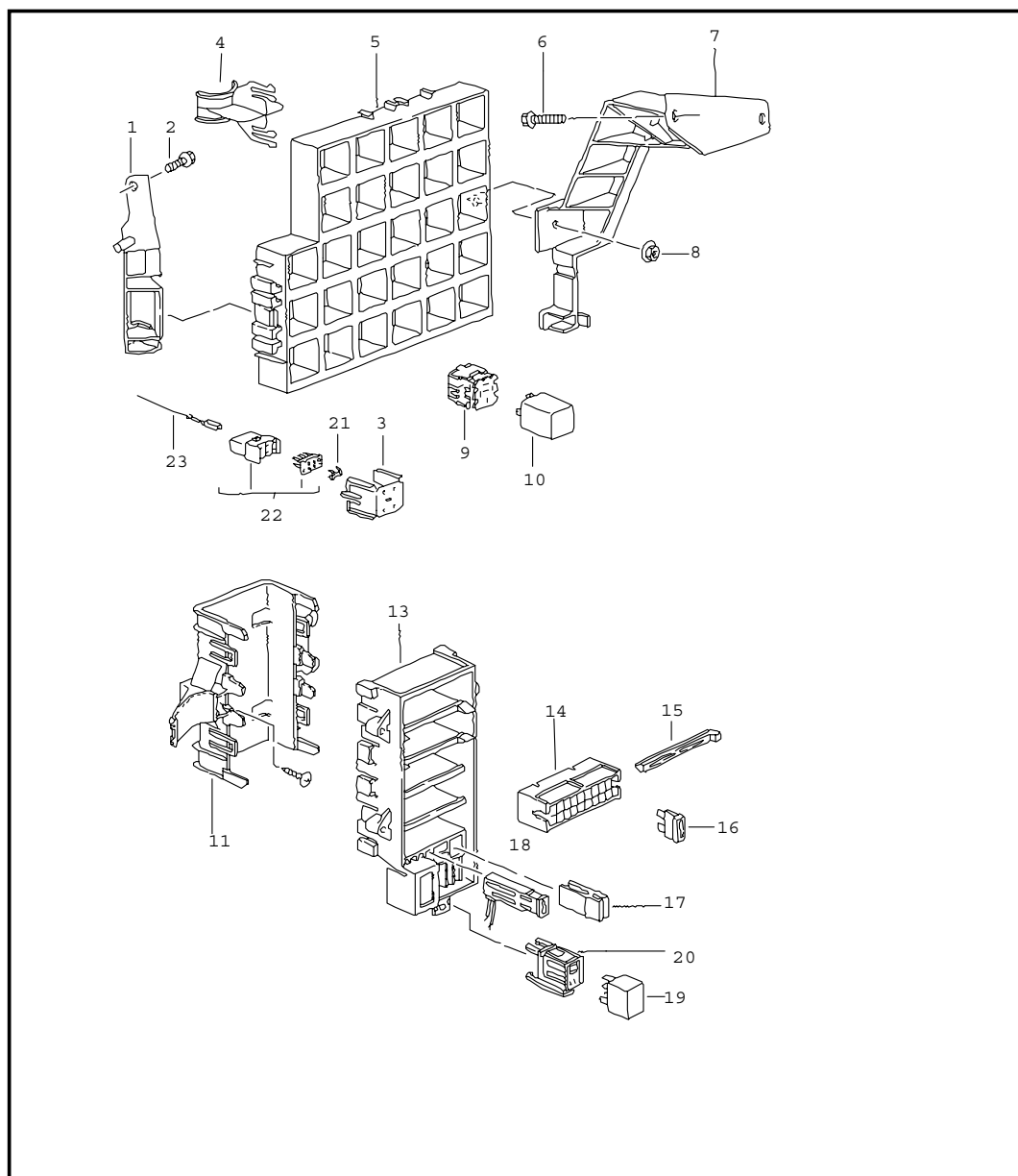
| Pos    | Part Number    | Name  | Remarks | Qty | Model            | Pos  | Part Number    | Name  | Remarks | Qty | Model               |
|--------|----------------|---|---------|-----|------------------|------|----------------|---|---------|-----|---------------------|
| -      | 996 637 347 00 | remote control upper part for 996.637.243.22        | -00     | 1   |                  | 14   | 996 637 344 00 | identification ring key 1 set red yellow  | 01-     | 1   |                     |
| (12) U | 996 637 244 35 | remote control                                      | 01-03   | 1   | CABRIO (J) M 535 | 14   | 996 637 344 01 | identification ring key 1 set blue green  | 01-     | 1   |                     |
| (12)   | 996 637 244 45 | remote control                                      | 01-     | 1   | CABRIO (J) M 535 |      |                |   |         |     |                     |
| -      | 996 637 355 00 | remote control upper part for 996.637.244.35/45     | 01-     | 1   |                  | 15   | 996 618 210 02 | sensor interior monitoring  |         | 1   | M 534, M 535        |
| (12) U | 986 637 244 13 | remote control                                      | -03     | 1   | TARGA M 534      | 15   | 996 618 210 03 | sensor interior monitoring for leather paint can-can-red flamenco red plum red pearl white white ferrari yellow speed yellow orchid metallic magnolia |         | 1   | M 534, M 535, M 999 |
| (12)   | 986 637 244 17 | remote control                                      | 02-     | 1   | TARGA M 534      |      |                |   |         |     |                     |
| -      | 996 637 351 00 | remote control upper part for 986.637.244.13/17     | 02-     | 1   |                  |      |                |   |         |     |                     |
| (12) A | 986 637 244 14 | remote control                                      | 02-     | 1   | TARGA M 535      |      |                |   |         |     |                     |
| (12) U | 986 637 244 16 | remote control                                      | -03     | 1   | TARGA M 535      |      |                |   |         |     |                     |
| (12)   | 986 637 244 18 | remote control                                      | 02-     | 1   | TARGA M 535      | -    | 999 650 236 40 | plug socket   |         | 1   |                     |
| -      | 996 637 351 00 | remote control upper part for 986.637.244.14/16/18  | 02-     | 1   |                  | -    | 999 650 256 22 | connector   |         | 4   |                     |
| (12) U | 986 637 244 15 | remote control                                      | -03     | 1   | TARGA (J) M 535  | (16) | 996 618 212 02 | trim alarm siren tilt sensor see group 9/03/00  |         | 2   | M 536 M 536         |
| (12)   | 986 637 244 19 | remote control                                      | 02-     | 1   | TARGA (J) M 535  | 17   | 996 618 171 01 | control unit park distance control electronic mail GR. 9 , NR. 9/98 F >>99XS6 00294 F >>99XS6 40108   | -99     | 1   | M 635               |
| -      | 996 637 351 00 | remote control upper part for 986.637.244.15/19     | 02-     | 1   |                  |      |                |   |         |     |                     |
| -      | 996 637 443 00 | emblem coloured for key lamp and remote control     | 02-     | 1   |                  | 17 A | 996 618 171 02 | control unit park distance control F 99XS6 00295>> F 99XS6 40109>>  | -03     | 1   | M 635               |
| 13     | 999 611 108 00 | battery see technical information GR. 9 , NR. 20/03 |         | 1   | M 534, M 535     | 17   | 996 618 171 03 | control unit park distance control F 99XS6 00295>> F 99XS6 40109>>  | 99-     | 1   | M 635               |
|        |                |   |         |     |                  | 18   | 996 618 371 00 | support   | -01     | 1   | M 635               |



|       |      |    |    |              |              |        |       |            |         |     |         |
|-------|------|----|----|--------------|--------------|--------|-------|------------|---------|-----|---------|
| Model | Year | MG | SG | Illustration | Restrictions | Update | 11:46 | 25.11.2005 | PORSCHE | PET | PORSCHE |
| 996   | 05   | 9  | 01 | 901-03       |              | 194    |       |            |         |     |         |

| Pos  | Part Number    | Name  | Remarks | Qty | Model          | Pos | Part Number | Name | Remarks | Qty | Model |
|------|----------------|---|---------|-----|----------------|-----|-------------|------|---------|-----|-------|
| (18) | 996 618 371 01 | support   | 02-     | 1   | M 635          |     |             |      |         |     |       |
| 19   | 999 919 120 09 | oval-head screw<br>4,0 X 18                                   |         | 2   | M 635          |     |             |      |         |     |       |
| 20   | 999 920 015 40 | special nut<br>4,0  |         | 2   | M 635          |     |             |      |         |     |       |
| 21   | 900 378 179 09 | hexagon-head bolt<br>M 6 X 16                                 |         | 2   | M 635          |     |             |      |         |     |       |
| 22   | 999 500 078 00 | sheetmetal press nut<br>M 6<br>sensor<br>see group<br>8/02/05 |         | 2   | M 635<br>M 635 |     |             |      |         |     |       |
|      |                | - - - E N D - - -   |         |     |                |     |             |      |         |     |       |

|       |      |    |    |              |              |        |       |            |         |     |         |
|-------|------|----|----|--------------|--------------|--------|-------|------------|---------|-----|---------|
| Model | Year | MG | SG | Illustration | Restrictions | Update | 11:47 | 25.11.2005 | PORSCHE | PET | PORSCHE |
| 996   | 05   | 9  | 02 | 902-00       |              | 194    |       |            |         |     |         |

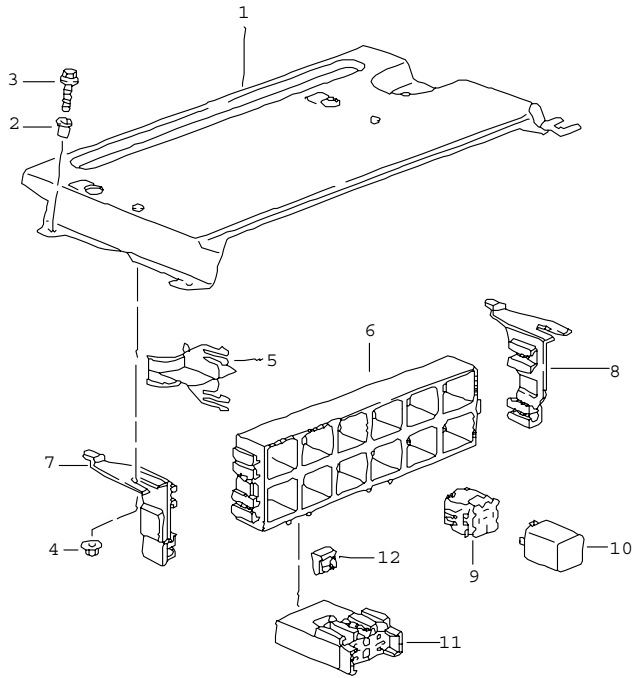


| Pos   | Part Number    | Name                                | Remarks | Qty | Model       |
|-------|----------------|-------------------------------------|---------|-----|-------------|
|       |                | central electrical system dashboard |         |     |             |
| 1     | 996 610 117 00 | support                             | /LL/L   | 1   |             |
| (1)   | 996 610 119 00 | support                             | /RL/L   | 1   |             |
| 2     | 900 378 155 09 | hexagon-head bolt<br>M 6 X 16 ASP   |         | 1   |             |
| 3     | 996 610 104 00 | retaining frame                     |         | X   |             |
| 4     | 996 610 112 00 | cable holder                        |         | X   |             |
| 5     | 996 610 109 00 | relay carrier<br>support frame      |         | 1   |             |
| 6     | 900 378 155 09 | hexagon-head bolt<br>M 6 X 16 ASP   |         | 2   |             |
| 7     | 996 610 116 00 | support                             | /LL/R   | 1   |             |
| (7)   | 996 610 118 00 | support                             | /RL/R   | 1   |             |
| 8     | 900 377 010 09 | hexagon nut<br>M 6                  |         | 1   |             |
| 9     | 928 610 511 00 | relay carrier                       |         | X   |             |
| 10    | -              | relay                               |         |     |             |
| S 3   | 1H0 953 227    | flasher relay                       |         | 1   |             |
| S 4   | 996 615 117 00 | control unit<br>rear window heating |         | 1   |             |
| S 5   | 999 657 005 90 | relay                               | -00     | 1   | M 614/M 618 |
| S 6/7 | 996 615 111 00 | relay                               |         | 1   | M 606       |
| S 8   | 996 618 113 00 | relay<br>headlight washer system    |         | 1   | M 288       |
| S 9   | 141 951 253 B  | relay<br>KL. XE                     |         | 1   |             |
| S 10  | 141 951 253 B  | relay<br>fanfare                    |         | 1   |             |
| S 12  | 431 951 253 G  | relay                               | -98     | 1   | ( J )       |
| S 12  | 141 951 253 B  | relay                               | 99-     | 1   | ( J )       |
| S 13  | 996 615 101 00 | relay<br>fuel pump                  |         | 1   |             |
| S 16  | 996 615 103 00 | interval relay                      |         | 1   |             |

|       |      |    |    |              |              |        |       |            |         |     |         |
|-------|------|----|----|--------------|--------------|--------|-------|------------|---------|-----|---------|
| Model | Year | MG | SG | Illustration | Restrictions | Update | 11:47 | 25.11.2005 | PORSCHE | PET | PORSCHE |
| 996   | 05   | 9  | 02 | 902-00       |              | 194    |       |            |         |     |         |

| Pos    | Part Number    | Name                           | Remarks | Qty | Model | Pos  | Part Number    | Name  | Remarks | Qty | Model |
|--------|----------------|--------------------------------|---------|-----|-------|------|----------------|---|---------|-----|-------|
| S 18   | 141 951 253 B  | relay heating                  |         | 1   |       | -    | 996 610 217 02 | indication sticker fuse                       | 00      | X   |       |
| S 19   | 141 951 253 B  | relay radiator fan 1 setting 1 |         | 1   |       | -    | 996 610 217 04 | indication sticker fuse                       | -02     | X   |       |
| S 20   | 141 951 253 B  | relay radiator fan 1 setting2  |         | 1   |       | -    | 996 610 217 05 | indication sticker fuse                       | 03-     | X   |       |
| S 21   | 141 951 253 B  | relay radiator fan 2 setting 1 |         | 1   |       | 18   | 996 610 240 00 | terminal clamp                                | 01-     | 1   |       |
| S 22   | 141 951 253 B  | relay radiator fan 2 setting2  |         | 1   |       | 19   | 999 657 006 90 | relay   | 01-     | 1   |       |
|        |                |                                |         |     |       | 20   | 999 650 538 40 | plug socket 5-pole                            | 01-     | 1   |       |
| 11     | 996 610 210 00 | cover                          |         | 1   |       | -    | -              | tip switch rear spoiler see group 9 / 03 / 05 |         |     |       |
| 13     | 996 610 211 01 | bracket                        |         | 1   |       |      |                |   |         |     |       |
| 14     | 999 650 209 40 | fuse holder                    |         | X   |       | -    | -              | cover for housing fuse see group 8 / 07 / 02  |         | X   |       |
| 15     | 999 650 210 40 | slide                          |         | X   |       |      |                |   |         |     |       |
| 16     | 999 607 004 00 | fuse 5 A                       |         | X   |       |      |                |   |         |     |       |
| 16 A   | 999 607 005 00 | fuse 7 , 5 A                   |         | X   |       | 21   | 999 650 319 22 | contact bridge 4-pole                         |         | X   |       |
| 16     | 999 607 083 00 | fuse 7 , 5 A                   |         | X   |       | (21) | 999 650 318 22 | contact bridge 8-pole                         |         | X   |       |
| (16)   | 999 607 007 00 | fuse 15 A                      |         | X   |       | 22   | 999 650 317 40 | plug socket 8-pole                            |         | X   |       |
| (16) A | 999 607 009 00 | fuse 25 A                      |         | X   |       | 23   | 999 650 320 22 | contact bush 2,8 / 0,75                       |         | X   |       |
| (16)   | 999 607 087 00 | fuse 25 A                      |         | X   |       | (23) | 999 650 321 22 | contact bush 2,8 / 2,5                        |         | X   |       |
| (16)   | 999 607 010 00 | fuse 30 A                      |         | X   |       |      |                |   |         |     |       |
| (16) A | 999 607 017 00 | fuse 40 A                      |         | X   |       |      |                |   |         |     |       |
| (16)   | 999 607 089 00 | fuse 40 A                      |         | X   |       |      |                |   |         |     |       |
| 17     | 996 610 214 00 | tool                           |         | X   |       |      |                |   |         |     |       |
| -      | 996 610 217 01 | indication sticker fuse        | -99     | X   |       |      |                |   |         |     |       |

|       |      |    |    |              |              |        |       |            |         |     |         |
|-------|------|----|----|--------------|--------------|--------|-------|------------|---------|-----|---------|
| Model | Year | MG | SG | Illustration | Restrictions | Update | 11:47 | 25.11.2005 | PORSCHE | PET | PORSCHE |
| 996   | 05   | 9  | 02 | 902-01       |              | 194    |       |            |         |     |         |

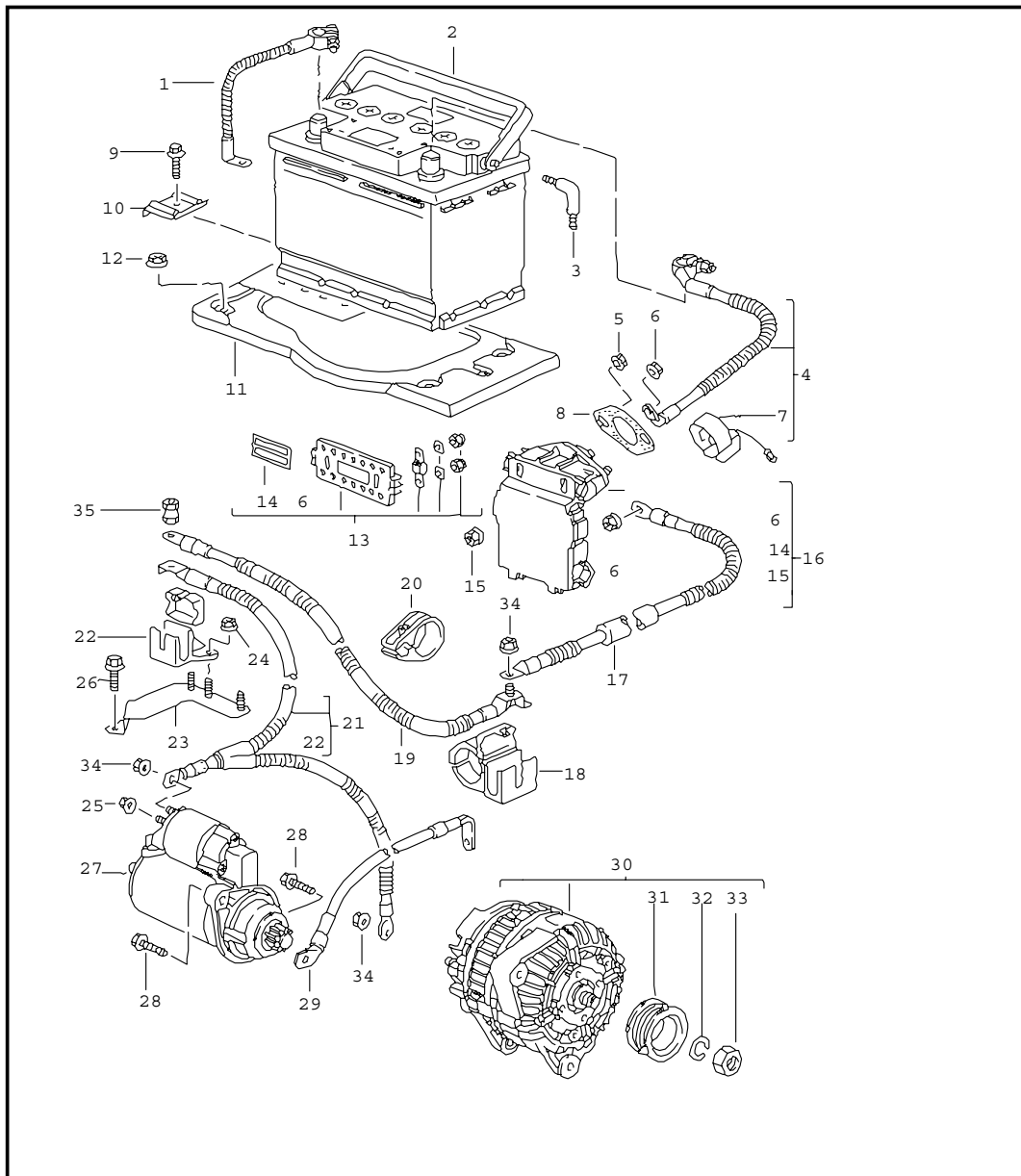


| Pos   | Part Number    | Name                               | Remarks | Qty | Model       |
|-------|----------------|------------------------------------|---------|-----|-------------|
|       |                | central electrical system rear end |         |     |             |
| 1     | 996 610 129 00 | plate                              | -00     | 1   | COUPE       |
| (1) A | 996 610 129 01 | plate                              | 01-03   | 1   | COUPE/TARGA |
| (1)   | 996 610 129 02 | plate F >>995S6 00785              | 01-05   | 1   | COUPE/TARGA |
| (1)   | 996 610 229 03 | plate F 995S6 00786>>              | 05-     | 1   | COUPE/TARGA |
| 2     | 999 500 078 00 | nut                                | -00     | 2   | COUPE       |
| 3     | 900 075 413 09 | screw M 6 X 16 Z2                  | -00     | 2   | COUPE       |
| (3)   | 999 084 629 09 | hexagon nut M 6                    | 01-     | 2   |             |
| 4     | 900 380 015 09 | hexagon nut M 6 F >>995S6 00785    |         | 2   |             |
| 5     | 996 610 112 00 | cable holder                       |         | X   |             |
| (5)   | 996 610 115 00 | cable holder                       |         | X   | CABRIO      |
| 6     | 996 610 111 00 | relay carrier support frame        |         | 1   |             |
| 7     | 996 610 126 00 | support F >>995S6 00785            | /R      | 1   |             |
| (7)   | 987 610 118 00 | support F 995S6 00786>>            | /R      | 1   |             |
| 8     | 996 610 127 00 | support F >>995S6 00785            | /L      | 1   |             |
| (8)   | 987 610 117 00 | support F 995S6 00786>>            | /L      | 1   |             |
| -     | 996 610 128 00 | fixing clip                        |         | 2   | CABRIO      |
| 9     | 928 610 511 00 | relay carrier                      |         | X   |             |
| 10    | -              | relay                              |         |     |             |
| S 1   | 141 951 253 B  | relay - dme -                      |         | 1   |             |
| S 2   | 141 951 253 B  | relay ignition                     |         | 1   |             |
| S 3   | 996 615 102 00 | relay spoiler                      |         | 1   |             |

|       |      |    |    |              |              |        |       |            |         |     |         |
|-------|------|----|----|--------------|--------------|--------|-------|------------|---------|-----|---------|
| Model | Year | MG | SG | Illustration | Restrictions | Update | 11:47 | 25.11.2005 | PORSCHE | PET | PORSCHE |
| 996   | 05   | 9  | 02 | 902-01       |              | 194    |       |            |         |     |         |

| Pos  | Part Number    | Name                                  | Remarks | Qty | Model  | Pos | Part Number | Name | Remarks | Qty | Model |
|------|----------------|---------------------------------------|---------|-----|--------|-----|-------------|------|---------|-----|-------|
| S 4  | 964 615 215 00 | relay<br>air conditioner              |         | 1   | M 573  |     |             |      |         |     |       |
| S 5  | 996 615 112 00 | relay<br>rear window heating          | 02-     | 1   | CABRIO |     |             |      |         |     |       |
| S 7  | 996 615 110 00 | relay<br>starter                      |         | 1   |        |     |             |      |         |     |       |
| S 8  | 141 951 253 B  | relay<br>blower<br>engine compartment |         | 1   |        |     |             |      |         |     |       |
| S 9  | 996 615 102 00 | relay<br>spoiler                      |         | 1   |        |     |             |      |         |     |       |
| S 10 | 993 615 115 00 | relay<br>secondary pump               |         | 1   | M 661  |     |             |      |         |     |       |
| 11   | 999 650 193 40 | fuse holder                           |         | 1   | M 661  |     |             |      |         |     |       |
| 12   | 999 650 371 40 | locking device                        |         | 1   | M 661  |     |             |      |         |     |       |
| -    | 999 650 194 22 | contact bush                          |         | X   | M 661  |     |             |      |         |     |       |
| - A  | 999 607 011 00 | fuse<br>40 A                          |         | 1   | M 661  |     |             |      |         |     |       |
| -    | 999 607 073 00 | fuse<br>40 A                          |         | 1   | M 661  |     |             |      |         |     |       |
|      |                | - - - E N D - - -                     |         |     |        |     |             |      |         |     |       |

|       |      |    |    |              |              |        |       |            |         |     |         |
|-------|------|----|----|--------------|--------------|--------|-------|------------|---------|-----|---------|
| Model | Year | MG | SG | Illustration | Restrictions | Update | 11:47 | 25.11.2005 | PORSCHE | PET | PORSCHE |
| 996   | 05   | 9  | 02 | 902-05       |              | 194    |       |            |         |     |         |



| Pos   | Part Number    | Name   | Remarks | Qty | Model |
|-------|----------------|--|---------|-----|-------|
|       |                | battery<br>power distributor<br>starter<br>generator |         |     |       |
| 1     | 996 611 090 02 | ground strap   | /LL -03 | 1   |       |
| 1     | 996 611 090 06 | ground strap   | /LL -03 | 1   |       |
| 1     | 996 611 090 08 | ground strap   | /LL 04- | 1   |       |
| (1) A | 996 611 091 01 | ground strap   | /RL -03 | 1   |       |
| (1)   | 996 611 091 05 | ground strap   | /RL -03 | 1   |       |
| (1)   | 996 611 091 06 | ground strap   | /RL 04- | 1   |       |
| (2)   | 999 611 070 20 | battery<br>70 AH                                     |         | 1   |       |
| 2     | 999 611 080 20 | battery<br>80 AH                                     |         | 1   |       |
| 3     | 893 915 507    | angled pipe  |         | 1   |       |
| 4 A   | 996 612 090 00 | cable<br>battery<br>power distributor                | /LL -03 | 1   |       |
| 4 A   | 996 612 090 05 | cable<br>battery<br>power distributor                | /LL 04  | 1   |       |
| 4     | 996 612 090 09 | cable<br>battery<br>power distributor                | /LL     | 1   |       |
| (4) A | 996 612 090 01 | cable<br>battery<br>power distributor                | /RL -03 | 1   |       |
| (4) A | 996 612 090 06 | cable<br>battery<br>power distributor                | /RL 04  | 1   |       |
| (4)   | 996 612 090 10 | cable<br>battery<br>power distributor                | /RL     | 1   |       |
| 5     | 900 380 005 09 | hexagon nut<br>VM 8                                  |         | 2   |       |
| 6     | 900 084 030 02 | hexagon nut<br>M 8<br>for<br>power distributor       |         | 2   |       |

|       |      |    |    |              |              |        |       |            |         |     |         |
|-------|------|----|----|--------------|--------------|--------|-------|------------|---------|-----|---------|
| Model | Year | MG | SG | Illustration | Restrictions | Update | 11:47 | 25.11.2005 | PORSCHE | PET | PORSCHE |
| 996   | 05   | 9  | 02 | 902-05       |              | 194    |       |            |         |     |         |

| Pos    | Part Number    | Name   | Remarks | Qty | Model | Pos  | Part Number    | Name   | Remarks | Qty | Model                              |
|--------|----------------|--|---------|-----|-------|------|----------------|--|---------|-----|------------------------------------|
| 7      | 996 610 309 00 | protection cap<br>terminal clamp<br>power distributor    |         | 1   |       | 15   | 900 084 031 02 | hexagon nut<br>M 6<br>for<br>power distributor   |         | 7   |                                    |
| 8      | 996 610 302 00 | flange gasket<br>for<br>power distributor                |         | 1   |       | 16   | 996 610 308 00 | repair kit<br>replacement<br>power distributor<br>comprising:  |         | 1   |                                    |
| 9      | 900 378 017 09 | hexagon-head bolt<br>M 8 X 20                            |         | 1   |       | -    | -              | power distributor<br>complete  |         | 1   |                                    |
| 10     | 996 611 209 00 | rail   |         | 1   |       | 15   | 900 084 031 02 | hexagon nut<br>M 6   |         | 7   |                                    |
| 11     | 996 504 151 00 | carrier plate for battery                                |         | 1   | M 338 | 6    | 900 084 030 02 | hexagon nut<br>M 8   |         | 2   |                                    |
| (11)   | 996 504 151 02 | carrier plate for battery                                | 99-     | 1   | M 339 | 14   | 996 610 311 00 | seal label<br>red<br>use also:<br>POS. 8   |         | 2   |                                    |
| (11) A | 996 504 151 03 | carrier plate for battery                                | /RL 99- | 1   | M 339 | 17   | 996 612 091 11 | cable<br>power distributor<br>connection point<br>F >>991S6 03740 /LL<br>F >>991S6 02976 /RL<br>F >>991S6 42694 /LL<br>F >>991S6 42142 /RL |         | 1   | COUPE<br>COUPE<br>CABRIO<br>CABRIO |
| -      | 996 504 622 00 | gasket<br>carrier plate for battery                      |         | 1   | M 338 | (17) | 996 612 091 14 | cable<br>power distributor<br>connection point<br>F 991S6 03741>> /LL<br>F 991S6 42695>> /LL   | -01     | 1   | COUPE<br>CABRIO                    |
| -      | 996 504 622 01 | gasket<br>carrier plate for battery                      | 99-     | 1   | M 339 | (17) | 996 612 091 15 | cable<br>power distributor<br>connection point<br>F 991S6 02977>> /RL<br>F 991S6 42143>> /RL   | -01     | 1   | COUPE<br>CABRIO                    |
| 12     | 999 084 630 09 | hexagon nut<br>VM 8 SB                                   |         | 4   |       | -    | 996 610 187 00 | cable holder<br>F 991S6 03741>> /LL<br>F 991S6 02977>> /RL<br>F 991S6 42695>> /LL<br>F 991S6 42143>> /RL                                   |         | 1   | COUPE<br>COUPE<br>CABRIO<br>CABRIO |
| 13     | 996 610 306 00 | repair kit<br>replacement<br>fuse element<br>comprising: |         | 1   |       | -    | 999 919 172 09 | hexagon-head bolt<br>7,0 X14<br>F 991S6 03741>> /LL<br>F 991S6 02977>> /RL<br>F 991S6 42695>> /LL<br>F 991S6 42143>> /RL                   |         | 1   | COUPE<br>COUPE<br>CABRIO<br>CABRIO |
| -      | -              | fuse element<br>50 AMPERE                                |         | 1   |       |      |                | when required order also:  |         |     |                                    |
| -      | -              | fuse element<br>80 AMPERE                                |         | 1   |       |      |                |  |         |     |                                    |
| -      | -              | hexagon nut<br>M 5                                       |         | 4   |       |      |                |  |         |     |                                    |
| 6      | 900 084 030 02 | hexagon nut<br>M 8                                       |         | 1   |       |      |                |  |         |     |                                    |
| -      | -              | intermediate layer                                       |         | 4   |       |      |                |  |         |     |                                    |
| -      | -              | cover<br>blue  |         | 1   |       |      |                |  |         |     |                                    |
| 14     | 996 610 311 00 | seal label<br>red  |         | 2   |       |      |                |  |         |     |                                    |
| 14     | 996 610 311 00 | seal label<br>red  |         | 2   |       |      |                |  |         |     |                                    |

|       |      |    |    |              |              |        |       |            |         |     |         |
|-------|------|----|----|--------------|--------------|--------|-------|------------|---------|-----|---------|
| Model | Year | MG | SG | Illustration | Restrictions | Update | 11:47 | 25.11.2005 | PORSCHE | PET | PORSCHE |
| 996   | 05   | 9  | 02 | 902-05       |              | 194    |       |            |         |     |         |

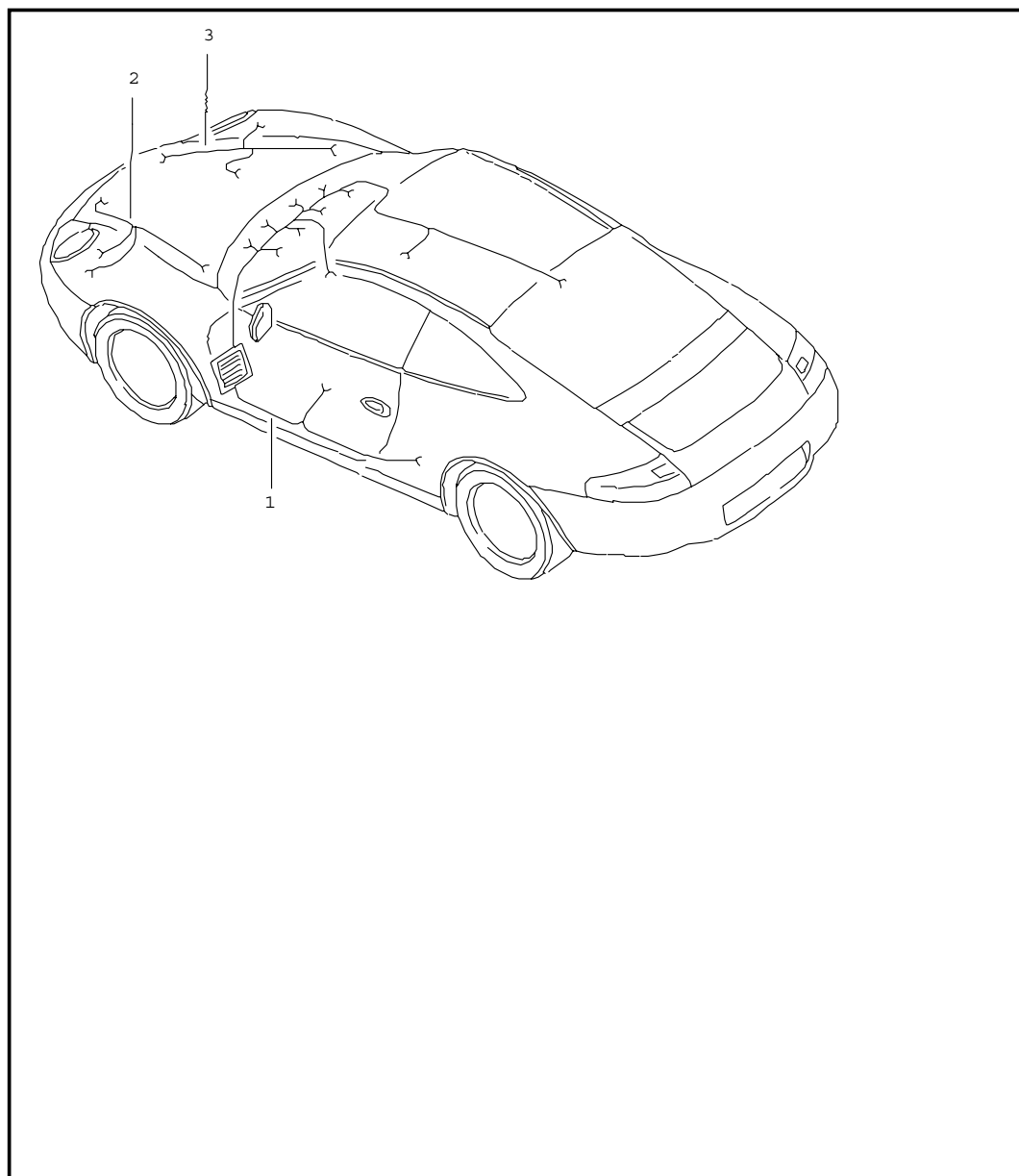
| Pos  | Part Number      | Name   | Remarks | Qty | Model | Pos  | Part Number      | Name  | Remarks | Qty | Model        |
|------|------------------|--|---------|-----|-------|------|------------------|---|---------|-----|--------------|
| (17) | 996 612 091 12   | cable<br>power distributor<br>connection point   | /LL 02- | 1   |       | 22   | 996 611 201 01   | connection point<br>complete  |         | 1   |              |
| (17) | 996 612 091 13   | cable<br>power distributor<br>connection point   | /RL 02- | 1   |       | (23) | 996 607 012 01   | support<br>connection point   |         | 1   |              |
| -    | 900 075 497 02   | hexagon-head bolt<br>M 5 X 10 Z2   | 02-     | 1   |       | 24   | 900 380 015 09   | hexagon nut<br>VM 6   |         | 3   |              |
| -    | 999 507 702 02   | speed nut<br>M 5   | 02-     | 1   |       | 25   | 900 377 010 09   | hexagon nut<br>M 6  |         | 1   |              |
| -    | 999 084 629 09   | hexagon nut<br>M 6   | 02-     | 1   |       | 26   | 900 378 035 09   | hexagon-head bolt<br>M 6 X 16   |         | 1   |              |
| 18   | 996 611 310 00   | connection point<br>complete   | -01     | 1   |       | 27   | > 996 604 103 00 | starter   |         | 1   |              |
| 18   | 996 611 316 00   | connection point<br>complete   | 02-     | 1   |       | 28   | 900 378 101 09   | hexagon-head bolt<br>AM 10 X 35<br>M >> 664 08139<br>M >> 684 01577                           |         | 2   |              |
| 19   | 996 612 092 00   | cable  | -01     | 1   |       | 28   | 900 385 097 09   | torx screw<br>BM 10 X 35<br>M 664 08140 >><br>M 684 01578 >>                                  |         | 2   |              |
| 19   | 996 612 092 01   | cable  | 02-     | 1   |       |      |                  |   |         |     | X51          |
| 20   | 996 612 094 00   | cable holder   |         | 4   |       | 29   | 996 607 030 00   | ground strap<br>engine<br>body  |         | 1   |              |
| -    | 999 513 051 40   | hose clamp   | 02-     | 1   |       |      |                  |   |         |     |              |
| 21   | 996 607 019 01   | wiring harness<br>with<br>connection point<br>generator<br>starter<br>M >> 663 09950<br>M >> 683 00734                       |         | 1   | X51   | 30   | > 996 603 012 01 | generator   | -99     | 1   |              |
| 21   | A 996 607 019 02 | wiring harness<br>with<br>connection point<br>generator<br>starter<br>M 663 09951 >>M 664 12967<br>M 683 00735 >>M 684 02282 |         | 1   | X51   | (30) | > 996 603 012 03 | generator<br>with<br>pulley<br>without<br>free wheel lock<br>M >> 664 12967<br>M >> 684 02282 | 00-     | 1   | M 249        |
| 21   | 996 607 019 03   | wiring harness<br>with<br>connection point<br>generator<br>starter<br>M 663 09951 >><br>M 683 00735 >>                       |         | 1   | X51   | (30) | > 997 603 012 00 | generator<br>M 664 12968 >><br>M 684 02283 >><br>with<br>pulley<br>without<br>free wheel lock |         | 1   | M 249<br>X51 |
| -    | 999 650 312 40   | protection cap<br>wiring harness   |         | 1   |       | (30) | > 996 603 012 02 | generator<br>with<br>pulley<br>free wheel lock<br>M >> 664 12967<br>M >> 684 02282            | 00-     | 1   | M 480<br>X51 |



|       |      |    |    |              |              |        |       |            |         |     |         |
|-------|------|----|----|--------------|--------------|--------|-------|------------|---------|-----|---------|
| Model | Year | MG | SG | Illustration | Restrictions | Update | 11:47 | 25.11.2005 | PORSCHE | PET | PORSCHE |
| 996   | 05   | 9  | 02 | 902-05       |              | 194    |       |            |         |     |         |

| Pos  | Part Number      | Name   | Remarks | Qty | Model        | Pos | Part Number    | Name  | Remarks | Qty | Model |
|------|------------------|--|---------|-----|--------------|-----|----------------|---|---------|-----|-------|
| (30) | > 997 603 012 01 | generator<br>M 664 12968 >><br>M 684 02283 >><br>with<br>pulley<br>free wheel lock |         | 1   | M 480<br>X51 |     |                | mounting parts<br>generator   |         |     |       |
| -    | 999 650 166 40   | plug socket  |         | 1   |              | -   | 900 378 070 09 | hexagon-head bolt<br>M 10 X 30                                      | -01     | 1   |       |
| -    | 999 652 694 12   | connector  |         | 1   |              | -   | 900 378 101 09 | hexagon-head bolt<br>AM 10 X 35<br>M >> 664 08139<br>M >> 684 01577 | 02-     | 1   | X51   |
| -    | 999 704 161 40   | gasket   |         | 1   |              | -   | 900 385 097 09 | torx screw<br>BM 10 X 35<br>M 664 08140 >><br>M 684 01578 >>        |         | 1   | X51   |
| -    | 999 652 965 40   | gasket   |         | 1   |              |     |                |   |         |     |       |
| 31   | A 996 603 151 54 | pulley   | -99     | 1   |              | -   | 900 378 181 09 | hexagon-head bolt<br>M 10 X 145<br>M >> 664 08139<br>M >> 684 01577 |         | 1   | X51   |
| 31   | 996 603 151 55   | pulley<br>without<br>free wheel lock   |         | 1   |              |     |                |   |         |     |       |
| 31   | 996 603 152 50   | pulley<br>with<br>free wheel lock<br>use also:<br>996.603.153.50                   | 00-     | 1   |              | -   | 900 385 092 04 | torx screw<br>BM 10 X 145<br>M 664 08140 >><br>M 684 01578 >>       |         | 1   | X51   |
| -    | 996 603 153 50   | protection cap<br>for<br>pulley<br>with<br>free wheel lock                         |         | 1   |              | 34  | 900 377 003 02 | hexagon nut<br>M 8  |         | 3   |       |
| 32   | N 012 016 1      | lock ring<br>B 16  |         | 1   |              | 35  | 999 076 069 02 | hexagon nut<br>M 8  |         | 1   |       |
| 33   | 900 034 013 02   | hexagon nut<br>M 16 X 1,5  |         | 1   |              |     |                | - - - E N D - - -   |         |     |       |
| -    | 996 603 113 00   | protection cap<br>for<br>POS. 33<br>with<br>pulley<br>without<br>free wheel lock   | 00-     | 1   | M 249        |     |                |   |         |     |       |
|      |                  | mounting parts<br>regulator<br>generator   |         |     |              |     |                |   |         |     |       |
| -    | 000 043 204 22   | oval-head screw<br>M 4 X 19<br>micro-self-locking                                  |         | 2   |              |     |                |   |         |     |       |
| -    | 000 043 204 23   | spring washer<br>B4  |         | 2   |              |     |                |   |         |     |       |

|       |      |    |    |              |              |        |       |            |         |     |         |
|-------|------|----|----|--------------|--------------|--------|-------|------------|---------|-----|---------|
| Model | Year | MG | SG | Illustration | Restrictions | Update | 11:47 | 25.11.2005 | PORSCHE | PET | PORSCHE |
| 996   | 05   | 9  | 02 | 902-10       |              | 194    |       |            |         |     |         |

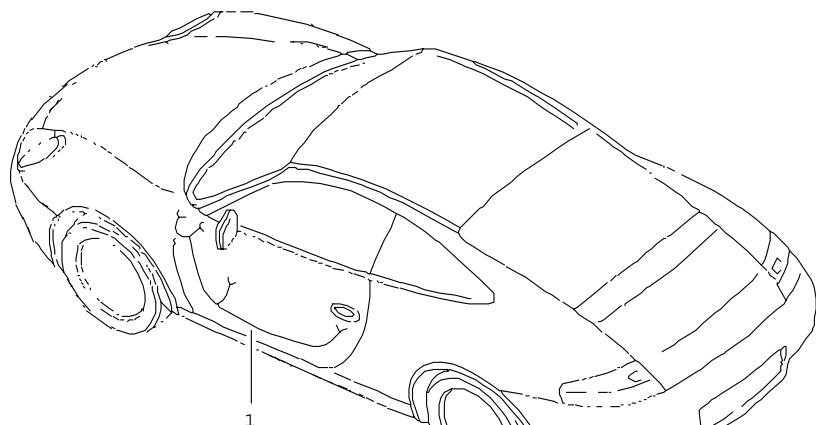


| Pos | Part Number    | Name   | Remarks | Qty | Model |
|-----|----------------|--|---------|-----|-------|
|     |                | harnesses<br>passenger compartment<br>glove compartment<br>front trunk<br>repair kit<br>anti-lock brake system<br>brake pad wear indicator<br>front axle |         |     |       |
| 1   | 996 612 903 00 | wiring harness<br>passenger compartment<br>vehicle identification no.<br>indicate  |         | 1   |       |
| -   | 999 651 302 40 | fixing clip<br>wiring harness<br>passenger compartment<br>door sill  |         | X   |       |
| -   | 999 651 284 40 | fixing clip<br>wiring harness<br>passenger compartment<br>door sill  |         | X   |       |
|     |                | connection point<br>X 11 / 12  |         |     |       |
| -   | 999 652 931 40 | connector  |         | 2   |       |
| -   | 999 652 570 22 | contact pin<br>2,5 - 1   |         | X   |       |
| -   | 999 652 571 22 | contact pin<br>2,5 - 2,5   |         | X   |       |
| -   | 999 652 932 40 | connector<br>10-pole<br>black  |         | 2   |       |
| -   | 999 652 923 40 | cap<br>black   |         | 2   |       |
| -   | 999 652 933 40 | connector<br>10-pole<br>white  |         | 2   |       |
| -   | 999 652 922 40 | cap<br>white   |         | 2   |       |
| -   | 999 652 921 40 | locking device<br>blue   |         | 4   |       |
| -   | 999 652 983 22 | contact pin<br>0,63 - 0,5  |         | X   |       |
| -   | 996 622 501 00 | wiring harness<br>glove compartment  | 02-     | 1   |       |

|       |      |    |    |              |              |        |       |            |         |     |         |
|-------|------|----|----|--------------|--------------|--------|-------|------------|---------|-----|---------|
| Model | Year | MG | SG | Illustration | Restrictions | Update | 11:47 | 25.11.2005 | PORSCHE | PET | PORSCHE |
| 996   | 05   | 9  | 02 | 902-10       |              | 194    |       |            |         |     |         |

| Pos | Part Number    | Name  | Remarks  | Qty | Model                | Pos | Part Number    | Name  | Remarks           | Qty | Model       |
|-----|----------------|---|----------|-----|----------------------|-----|----------------|---|-------------------|-----|-------------|
| -   | 999 650 564 40 | support microswitch   | 02-      | 1   |                      | -   | 996 612 951 00 | repair kit wiring harness                                 | /V/L 02-          | 1   | M 338/M 476 |
| -   | 999 650 565 40 | support connector housing   | 02-      | 1   |                      | -   | 996 612 960 00 | repair kit wiring harness                                 | /V/L 02-          | 1   | M 338       |
| 2   | 996 612 303 01 | wiring harness front trunk  | /L -99   | 1   | M 573/M 659          | -   | 996 612 957 00 | repair kit wiring harness                                 | /V/L              | 1   | M 339       |
| 2   | 996 612 303 05 | wiring harness front trunk  | /L 00    | 1   | M 573/M 659          | -   | 996 612 952 00 | repair kit wiring harness                                 | /V/R -01          | 1   | M 338       |
| 2   | 996 612 303 10 | wiring harness front trunk  | /L 01    | 1   | M 573/M 659          | -   | 996 612 952 00 | repair kit wiring harness                                 | /V/R 02-          | 1   | M 338/M 476 |
| 2   | 996 612 303 15 | wiring harness front trunk  | /L 02-   | 1   |                      | -   | 996 612 961 00 | repair kit wiring harness                                 | /V/R 02-          | 1   | M 338       |
| 2   | 996 612 313 00 | wiring harness front trunk  | /L 99    | 1   | M 601/M 573<br>M 659 | -   | 996 612 958 00 | repair kit wiring harness                                 | /V/R              | 1   | M 339       |
| 2   | 996 612 313 05 | wiring harness front trunk  | /L 00    | 1   | M 601/M 573<br>M 659 |     |                | repair kit wiring harness rear axle see group 9 / 02 / 20 |                   |     |             |
| 2   | 996 612 313 10 | wiring harness front trunk  | /L 01    | 1   | M 601/M 573<br>M 659 |     |                |   |                   |     |             |
| 2   | 996 612 313 15 | wiring harness front trunk  | /L 02-   | 1   | M 601                |     |                |   | - - - E N D - - - |     |             |
| 3   | 996 612 302 01 | wiring harness front trunk  | /R -01   | 1   |                      |     |                |   |                   |     |             |
| 3   | 996 612 312 00 | wiring harness front trunk  | /R -01   | 1   | M 601                |     |                |   |                   |     |             |
| 3   | -              | wiring harness front trunk is a component of wiring harness passenger compartment | /R 02-   | 1   |                      |     |                |   |                   |     |             |
| (3) | 996 612 340 00 | wiring harness  | /LL 99   | 1   | M 339/M 476          |     |                |   |                   |     |             |
| (3) | 996 612 341 00 | wiring harness  | /RL 99   | 1   | M 339/M 476          |     |                |   |                   |     |             |
| -   | 993 615 136 00 | relay anti-lock brake system  | 99       | 2   | M 339/M 476          |     |                |   |                   |     |             |
| -   | 996 612 951 00 | repair kit wiring harness   | /V/L -01 | 1   | M 338                |     |                |   |                   |     |             |

|       |      |    |    |              |              |        |       |            |         |     |         |
|-------|------|----|----|--------------|--------------|--------|-------|------------|---------|-----|---------|
| Model | Year | MG | SG | Illustration | Restrictions | Update | 11:47 | 25.11.2005 | PORSCHE | PET | PORSCHE |
| 996   | 05   | 9  | 02 | 902-15       |              | 194    |       |            |         |     |         |

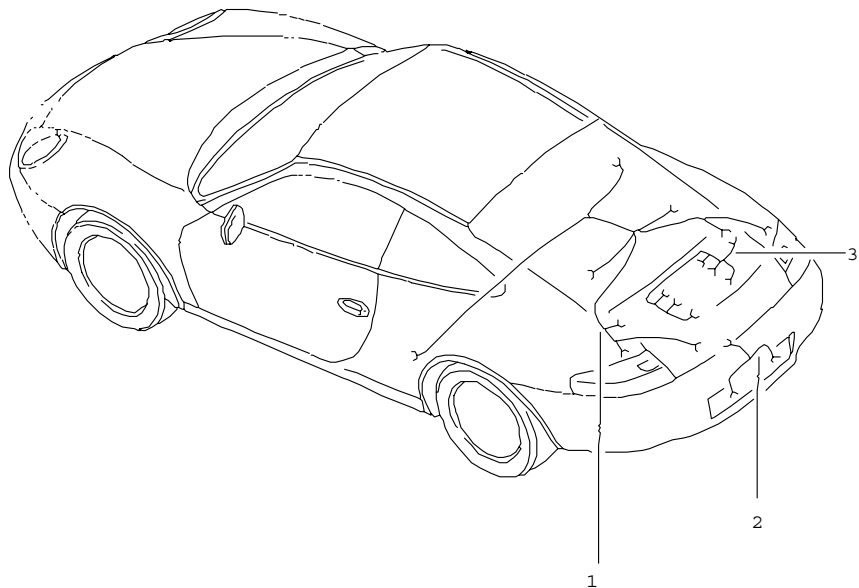


| Pos   | Part Number    | Name   | Remarks | Qty | Model            |
|-------|----------------|--|---------|-----|------------------|
|       |                | harnesses<br>driver's door<br>passenger's door<br>folding top control<br>auxiliary support |         |     | CABRIO<br>CABRIO |
| 1     | 996 612 630 04 | wiring harness<br>driver's door  | 98      | 1   |                  |
| 1     | 996 612 630 05 | wiring harness<br>driver's door  | 99      | 1   |                  |
| 1     | 996 612 634 02 | wiring harness<br>driver's door  | 98      | 1   | M 563            |
| 1     | 996 612 634 03 | wiring harness<br>driver's door  | -00     | 1   | M 563            |
| 1 A   | 996 612 634 10 | wiring harness<br>driver's door  | 01-03   | 1   |                  |
| (1)   | 996 612 634 11 | wiring harness<br>driver's door  | 01-     | 1   |                  |
| (1)   | 996 612 632 04 | wiring harness<br>passenger's door   | 98      | 1   |                  |
| (1)   | 996 612 632 05 | wiring harness<br>passenger's door   | 99      | 1   |                  |
| (1)   | 996 612 635 02 | wiring harness<br>passenger's door   | 98      | 1   | M 563            |
| (1)   | 996 612 635 03 | wiring harness<br>passenger's door   | -00     | 1   | M 563            |
| (1) A | 996 612 635 10 | wiring harness<br>passenger's door   | 01-03   | 1   |                  |
| (1)   | 996 612 635 11 | wiring harness<br>passenger's door   | 01-     | 1   |                  |
|       |                | connection point<br>X 11 / 12  |         |     |                  |
| -     | 999 652 930 40 | plug socket  |         | 2   |                  |
| -     | 999 652 567 22 | cylindrical connector<br>2,5 - 1   |         | X   |                  |
| -     | 999 652 568 22 | cylindrical connector<br>2,5 - 2,5   |         | X   |                  |
| -     | 999 652 927 40 | plug socket<br>10-pole<br>white  |         | 2   |                  |

|       |      |    |    |              |              |        |       |            |         |     |         |
|-------|------|----|----|--------------|--------------|--------|-------|------------|---------|-----|---------|
| Model | Year | MG | SG | Illustration | Restrictions | Update |       |            |         |     |         |
| 996   | 05   | 9  | 02 | 902-15       |              | 194    | 11:47 | 25.11.2005 | PORSCHE | PET | PORSCHE |

| Pos | Part Number    | Name  | Remarks | Qty | Model  | Pos | Part Number | Name | Remarks | Qty | Model |
|-----|----------------|---|---------|-----|--------|-----|-------------|------|---------|-----|-------|
| -   | 999 652 924 40 | cap<br>white  |         | 2   |        |     |             |      |         |     |       |
| -   | 999 652 928 40 | plug socket<br>10-pole<br>black                               |         | 2   |        |     |             |      |         |     |       |
| -   | 999 652 925 40 | cap<br>black  |         | 2   |        |     |             |      |         |     |       |
| -   | 999 652 921 40 | locking device<br>blue  |         | 4   |        |     |             |      |         |     |       |
| -   | 999 652 901 22 | connector<br>0,63 - 0,5                                       |         | X   |        |     |             |      |         |     |       |
|     |                | mount<br>wiring harness<br>doors                              |         |     |        |     |             |      |         |     |       |
| -   | 996 610 320 01 | cable guide   |         | 2   | M 273  |     |             |      |         |     |       |
| -   | 999 703 470 40 | cable clamp   |         | 2   | M 273  |     |             |      |         |     |       |
| -   | 999 507 627 02 | cable clamp   |         | 2   |        |     |             |      |         |     |       |
| -   | 996 610 141 01 | rubber boot<br>a-pillar                                       |         | 2   |        |     |             |      |         |     |       |
| -   | 996 610 144 00 | frame<br>reinforcement<br>rubber boot<br>a-pillar             |         | 2   |        |     |             |      |         |     |       |
|     |                | mount<br>connection point<br>a-pillar                         |         |     |        |     |             |      |         |     |       |
| -   | 999 919 123 09 | oval-head screw<br>5 X 20                                     |         | 2   |        |     |             |      |         |     |       |
| -   | 999 507 649 40 | expansion rivet<br>4,8  |         | 2   |        |     |             |      |         |     |       |
| -   | 996 610 321 00 | cable holder<br>door arrester                                 |         | 2   |        |     |             |      |         |     |       |
| -   | -              | wiring harness<br>folding top control<br>see group<br>8/11/07 |         | 1   | CABRIO |     |             |      |         |     |       |
| -   | -              | wiring harness<br>auxiliary support<br>see group<br>8/11/15   |         | 1   | CABRIO |     |             |      |         |     |       |
|     |                | - - - E N D - - -   |         |     |        |     |             |      |         |     |       |

|       |      |    |    |              |              |        |       |            |         |     |         |
|-------|------|----|----|--------------|--------------|--------|-------|------------|---------|-----|---------|
| Model | Year | MG | SG | Illustration | Restrictions | Update | 11:48 | 25.11.2005 | PORSCHE | PET | PORSCHE |
| 996   | 05   | 9  | 02 | 902-20       |              | 194    |       |            |         |     |         |



| Pos | Part Number    | Name   | Remarks | Qty | Model                |
|-----|----------------|--|---------|-----|----------------------|
|     |                | harnesses<br>rear end<br>additional stoplamp<br>license plate light<br>engine<br>transmission<br>repair kit<br>anti-lock brake system<br>brake pad wear indicator<br>rear axle |         |     | CABRIO<br><br>M 249  |
| 1   | 996 612 905 00 | wiring harness<br>rear end<br>vehicle identification no.<br>indicate   |         | 1   |                      |
| -   | 996 612 507 02 | wiring harness<br>additional stoplamp  |         | 1   | CABRIO M 602         |
| -   | 996 423 101 00 | protective tube<br>for<br>wiring harness   |         | 1   | CABRIO M 602         |
| 2   | 996 612 060 00 | wiring harness<br>license plate light  | -01     | 1   | CARRERA              |
| 2   | 996 612 062 00 | wiring harness<br>license plate light  | 02-     | 1   | CARRERA              |
| (2) | 996 612 061 00 | wiring harness<br>license plate light  | -01     | 1   | CARRERA<br>M 635     |
| (2) | 996 612 064 00 | wiring harness<br>license plate light  | 02-     | 1   | CARRERA<br>M 635     |
| 2   | 996 612 060 00 | wiring harness<br>license plate light  | 02-     | 1   | CARRERA 4 S          |
| (2) | 996 612 063 00 | wiring harness<br>license plate light  | 02-     | 1   | CARRERA 4 S<br>M 635 |
| -   | 999 650 013 40 | fixing clip<br>connection point<br>wiring harness<br>license plate light   |         | 1   |                      |
| 3   | 996 607 002 04 | wiring harness<br>engine   | -99     | 1   | M 480                |
| 3   | 996 607 010 04 | wiring harness<br>engine   | 99      | 1   | M 480/620            |
| 3   | 996 607 010 05 | wiring harness<br>engine   | -01     | 1   | M 480/660            |
| 3   | 996 607 010 08 | wiring harness<br>engine   | -01     | 1   | M 480                |

|       |      |    |    |              |              |        |       |            |         |     |         |
|-------|------|----|----|--------------|--------------|--------|-------|------------|---------|-----|---------|
| Model | Year | MG | SG | Illustration | Restrictions | Update | 11:48 | 25.11.2005 | PORSCHE | PET | PORSCHE |
| 996   | 05   | 9  | 02 | 902-20       |              | 194    |       |            |         |     |         |

| Pos   | Part Number    | Name   | Remarks | Qty | Model     | Pos | Part Number    | Name   | Remarks  | Qty | Model |
|-------|----------------|--|---------|-----|-----------|-----|----------------|--|----------|-----|-------|
| (3)   | 996 607 002 06 | wiring harness engine                          | -99     | 1   | M 249     |     |                | repair kit wiring harness                                  |          |     |       |
| (3)   | 996 607 010 06 | wiring harness engine                          | 99      | 1   | M 249/620 |     |                | anti-lock brake system brake pad wear indicator rear axle  |          |     |       |
| (3)   | 996 607 010 07 | wiring harness engine                          | -01     | 1   | M 249/660 | -   | 996 612 953 01 | repair kit wiring harness                                  | /H/L -01 | 1   |       |
| (3)   | 996 607 010 09 | wiring harness engine                          | -01     | 1   | M 249     | -   | 996 612 953 01 | repair kit wiring harness                                  | /H/L 02- | 1   | M 476 |
| (3)   | 996 607 010 10 | wiring harness engine                          | 02      | 1   | M 96.03   | -   | 996 612 964 00 | repair kit wiring harness                                  | /H/L 02- | 1   |       |
| (3) A | 996 607 010 15 | wiring harness engine                          | 03      | 1   | M 96.03   | -   | 996 612 954 01 | repair kit wiring harness                                  | /H/R -01 | 1   |       |
| (3)   | 996 607 010 16 | wiring harness engine                          | 03-     | 1   | M 96.03   | -   | 996 612 954 01 | repair kit wiring harness                                  | /H/R 02- | 1   | M 476 |
| (3)   | 996 612 401 00 | wiring harness transmission                    | 02-     | 1   | M 249     | -   | 996 612 965 00 | repair kit wiring harness                                  | /H/R 02- | 1   |       |
| -     | 999 507 752 40 | cable holder for wiring harness transmission   | 02-     | 1   | M 249     |     |                | repair kit wiring harness front axle see group 9 / 20 / 10 |          |     |       |
| -     | 999 591 746 02 | cable holder for wiring harness transmission   | 02-     | 3   | M 249     |     |                | - - - E N D - - -  |          |     |       |
| -     | 999 507 729 40 | cable strap 8 - 50 water tube supply right     |         | 1   |           |     |                |  |          |     |       |
| -     | 999 507 730 40 | cable strap 8 - 33 wiring harness engine       |         | 1   |           |     |                |  |          |     |       |
| - A   | 996 607 101 01 | support connection point wiring harness engine | -03     | 1   |           |     |                |  |          |     |       |
| -     | 996 607 101 02 | support connection point wiring harness engine |         | 1   |           |     |                |  |          |     |       |
| -     | 996 607 102 00 | support wiring harness engine                  |         | 1   |           |     |                |  |          |     |       |

|       |      |    |    |              |              |        |       |            |
|-------|------|----|----|--------------|--------------|--------|-------|------------|
| Model | Year | MG | SG | Illustration | Restrictions | Update | 11:48 | 25.11.2005 |
| 996   | 05   | 9  | 02 | 902-50       |              | 194    |       |            |

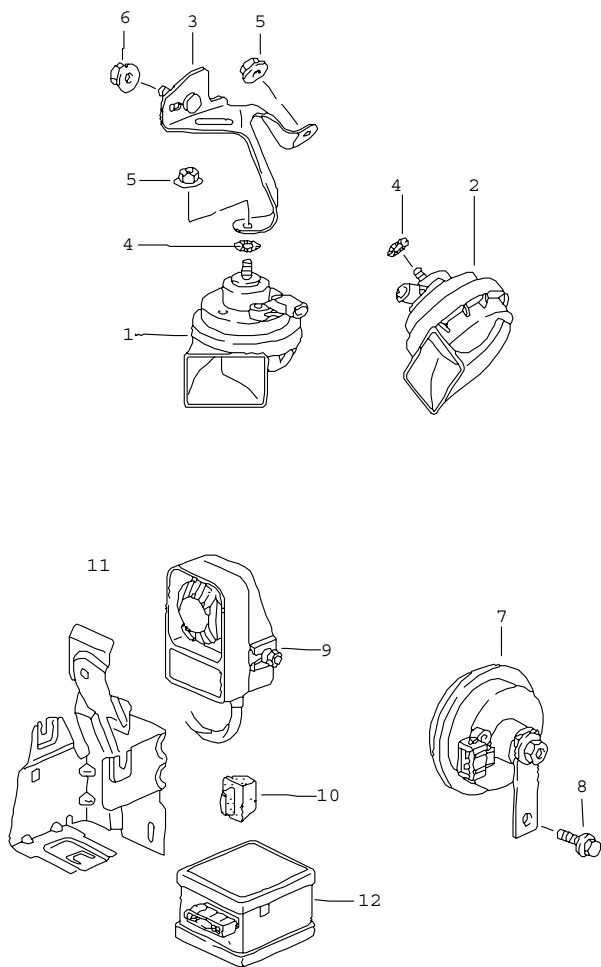
| Pos | Part Number    | Name                     | Remarks | Qty | Model                   |
|-----|----------------|--------------------------|---------|-----|-------------------------|
|     |                | optical waveguide        | 03-     |     |                         |
| -   | 996 622 702 00 | optical waveguide module | /LL     | 1   | M 666                   |
| -   | 996 622 722 00 | optical waveguide module | /RL     | 1   | M 666                   |
| -   | 996 622 704 00 | optical waveguide module | /LL     | 1   | M 338/M 490/M 680       |
| -   | 996 622 724 00 | optical waveguide module | /RL     | 1   | M 338/M 490/M 680       |
| -   | 996 622 701 00 | optical waveguide module | /LL     | 1   | M 339/M 490/M 680       |
| -   | 996 622 721 00 | optical waveguide module | /RL     | 1   | M 339/M 490/M 680       |
| -   | 996 622 706 00 | optical waveguide module | /LL     | 1   | M 338/M 692             |
| -   | 996 622 726 00 | optical waveguide module | /RL     | 1   | M 338/M 692             |
| -   | 996 622 729 00 | optical waveguide module | /LL     | 1   | M 339/M 692             |
| -   | 996 622 709 00 | optical waveguide module | /RL     | 1   | M 339/M 692             |
| -   | 996 622 716 00 | optical waveguide module | /LL     | 1   | M 338/M 666/M 692       |
| -   | 996 622 736 00 | optical waveguide module | /RL     | 1   | M 338/M 666/M 692       |
| -   | 996 622 739 00 | optical waveguide module | /LL     | 1   | M 339/M 666/M 692       |
| -   | 996 622 719 00 | optical waveguide module | /RL     | 1   | M 339/M 666/M 692       |
| -   | 996 622 703 00 | optical waveguide module | /LL     | 1   | M 338/M 490/M 666/M 680 |
| -   | 996 622 723 00 | optical waveguide module | /RL     | 1   | M 338/M 490/M 666/M 680 |
| -   | 996 622 707 00 | optical waveguide module | /LL     | 1   | M 339/M 490/M 666/M 680 |
| -   | 996 622 727 00 | optical waveguide module | /RL     | 1   | M 339/M 490/M 666/M 680 |
| -   | 996 622 705 00 | optical waveguide module | /LL     | 1   | M 338/M 490/M 680/M 692 |
| -   | 996 622 725 00 | optical waveguide module | /RL     | 1   | M 338/M 490/M 680/M 692 |



|       |      |    |    |              |              |        |       |            |
|-------|------|----|----|--------------|--------------|--------|-------|------------|
| Model | Year | MG | SG | Illustration | Restrictions | Update | 11:48 | 25.11.2005 |
| 996   | 05   | 9  | 02 | 902-50       |              | 194    |       |            |

| Pos               | Part Number    | Name   | Remarks | Qty | Model                                 |
|-------------------|----------------|--|---------|-----|---------------------------------------|
| -                 | 996 622 708 00 | optical waveguide module                     | /LL     | 1   | M 339/M 490/<br>M 680/M 692           |
| -                 | 996 622 728 00 | optical waveguide module                     | /RL     | 1   | M 339/M 490/<br>M 680/M 692           |
| -                 | 996 622 715 00 | optical waveguide module                     | /LL     | 1   | M 338/M 490/<br>M 666/M 680/<br>M 692 |
| -                 | 996 622 745 00 | optical waveguide module                     | /RL     | 1   | M 338/M 490/<br>M 666/M 680/<br>M 692 |
| -                 | 996 622 718 00 | optical waveguide module                     | /LL     | 1   | M 339/M 490/<br>M 666/M 680/<br>M 692 |
| -                 | 996 622 738 00 | optical waveguide module                     | /RL     | 1   | M 339/M 490/<br>M 666/M 680/<br>M 692 |
| -                 | 996 610 122 00 | support connection point luggage compartment |         | 1   |                                       |
| -                 | 999 507 804 40 | expander nut for support                     |         | 1   |                                       |
| -                 | 996 610 132 00 | cable guide t-piece luggage compartment      |         | 1   |                                       |
| - - - E N D - - - |                |  |         |     |                                       |

|       |      |    |    |              |              |        |       |            |         |     |         |
|-------|------|----|----|--------------|--------------|--------|-------|------------|---------|-----|---------|
| Model | Year | MG | SG | Illustration | Restrictions | Update | 11:48 | 25.11.2005 | PORSCHE | PET | PORSCHE |
| 996   | 05   | 9  | 03 | 903-00       |              | 194    |       |            |         |     |         |

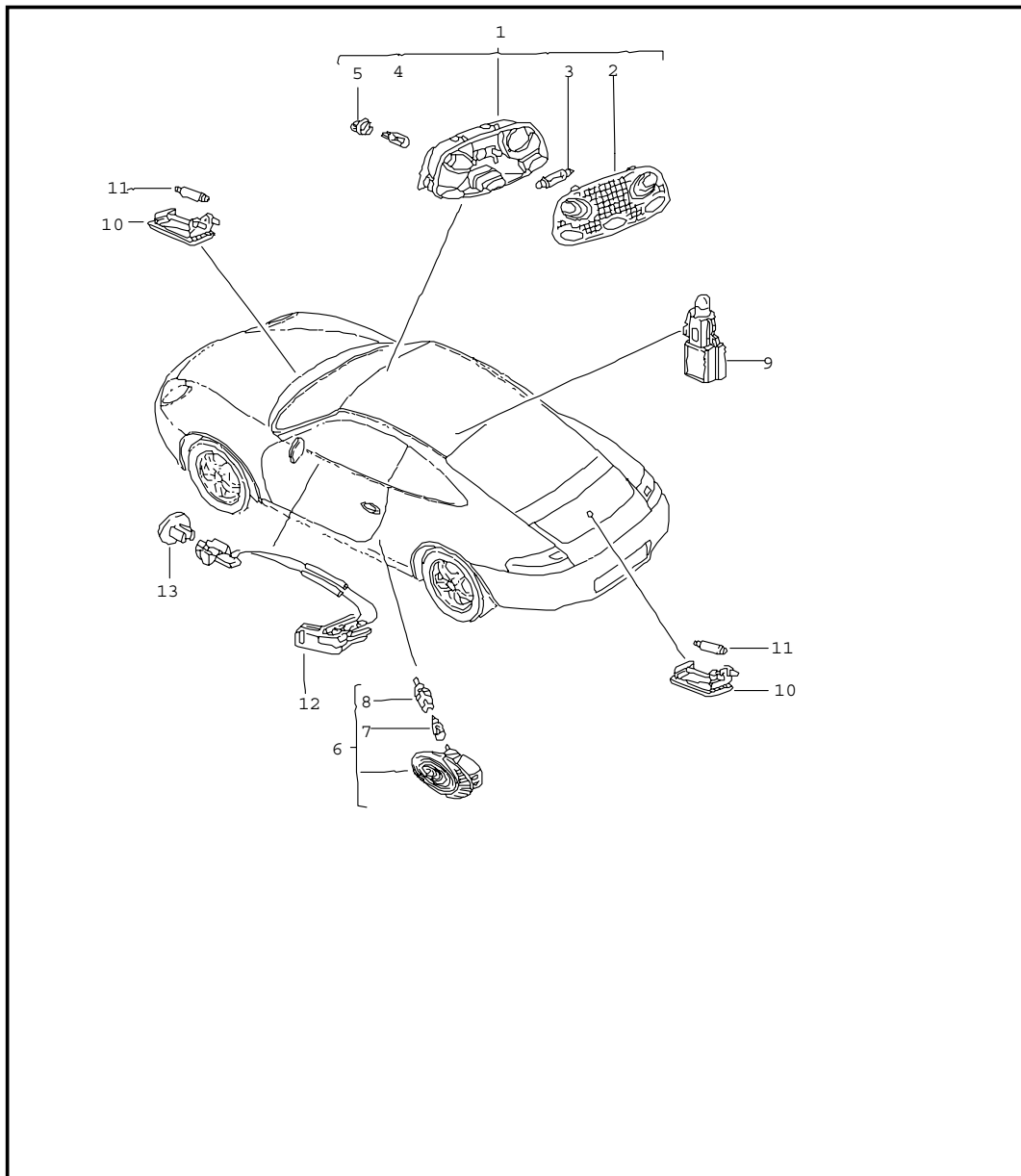


| Pos | Part Number      | Name                            | Remarks | Qty | Model |
|-----|------------------|---------------------------------|---------|-----|-------|
|     |                  | fanfare<br>horn<br>alarm system |         |     | M 536 |
| 1   | A 996 635 206 03 | fanfare<br>high-pitched         | -03     | 1   |       |
| 1   | 996 635 206 04   | fanfare<br>high-pitched         |         | 1   |       |
| 2   | A 996 635 205 03 | fanfare<br>low-pitched          | -03     | 1   |       |
| 2   | 996 635 205 04   | fanfare<br>low-pitched          |         | 1   |       |
| -   | 999 650 490 40   | plug socket                     |         | 2   |       |
| -   | 999 650 135 22   | connector                       |         | 4   |       |
| -   | 999 650 126 40   | gasket                          |         | 4   |       |
| 3   | 996 635 150 00   | support                         |         | 1   |       |
| 4   | N 042 121 3      | shake-proof washer<br>A 6,4     |         | 2   |       |
| 5   | 900 380 015 09   | hexagon nut<br>M 6              |         | 2   |       |
| 6   | 900 377 003 02   | hexagon nut<br>M 8              |         | 1   |       |
| 7   | A 996 637 117 01 | horn<br>for<br>alarm system     | -04     | 1   |       |
| 7   | 996 637 117 02   | horn<br>for<br>alarm system     |         | 1   |       |
| 8   | 900 075 459 09   | screw<br>M 6 X 12 Z2            |         | 1   |       |
| 9   | A 996 618 237 03 | alarm siren                     | -04     | 1   | M 536 |
| 9   | 996 618 237 04   | alarm siren                     |         | 1   | M 536 |
| -   | 999 652 946 40   | plug socket<br>3-pole           |         | 1   |       |
| -   | 999 650 126 40   | gasket                          |         | X   |       |
| -   | 999 650 127 40   | gasket                          |         | X   |       |
| -   | 999 652 934 22   | contact bush<br>0,63 - 0,5      |         | X   |       |

|       |      |    |    |              |              |        |       |            |         |     |         |
|-------|------|----|----|--------------|--------------|--------|-------|------------|---------|-----|---------|
| Model | Year | MG | SG | Illustration | Restrictions | Update | 11:48 | 25.11.2005 | PORSCHE | PET | PORSCHE |
| 996   | 05   | 9  | 03 | 903-00       |              | 194    |       |            |         |     |         |

| Pos  | Part Number      | Name  | Remarks | Qty | Model | Pos | Part Number | Name | Remarks | Qty | Model |
|------|------------------|---|---------|-----|-------|-----|-------------|------|---------|-----|-------|
| 10   | 999 703 459 40   | rubber mounting   |         | 1   | M 536 |     |             |      |         |     |       |
| 11   | 996 637 420 01   | support   | /LL     | 1   | M 536 |     |             |      |         |     |       |
| (11) | 996 637 419 01   | support   | /RL     | 1   | M 536 |     |             |      |         |     |       |
| 12   | A 996 618 265 00 | tilt sensor<br>see technical manual<br>GR.9 / 96 64 32<br>use also: | -01     | 1   | M 536 |     |             |      |         |     |       |
| -    | 996 622 904 00   | wiring harness  |         | 1   |       |     |             |      |         |     |       |
| -    | 999 650 335 40   | plug socket<br>6-pole   | -01     | 1   | M 536 |     |             |      |         |     |       |
| -    | 999 652 775 22   | contact bush<br>2,5 - 1   | -01     | X   | M 536 |     |             |      |         |     |       |
| (12) | 996 618 265 01   | tilt sensor   | 02-     | 1   | M 536 |     |             |      |         |     |       |
| -    | 996 637 421 00   | support<br>tilt sensor  | 02-     | 1   | M 536 |     |             |      |         |     |       |
| -    | 900 378 179 09   | hexagon-head bolt<br>M 6 X 16                                       | 02-     | 1   | M 536 |     |             |      |         |     |       |
| -    | 999 500 078 00   | sheetmetal press nut<br>M 6   | 02-     | 1   | M 536 |     |             |      |         |     |       |
|      |                  | - - - E N D - - -   |         |     |       |     |             |      |         |     |       |

|       |      |    |    |              |              |        |       |            |         |     |         |
|-------|------|----|----|--------------|--------------|--------|-------|------------|---------|-----|---------|
| Model | Year | MG | SG | Illustration | Restrictions | Update | 11:48 | 25.11.2005 | PORSCHE | PET | PORSCHE |
| 996   | 05   | 9  | 03 | 903-04       |              | 194    |       |            |         |     |         |

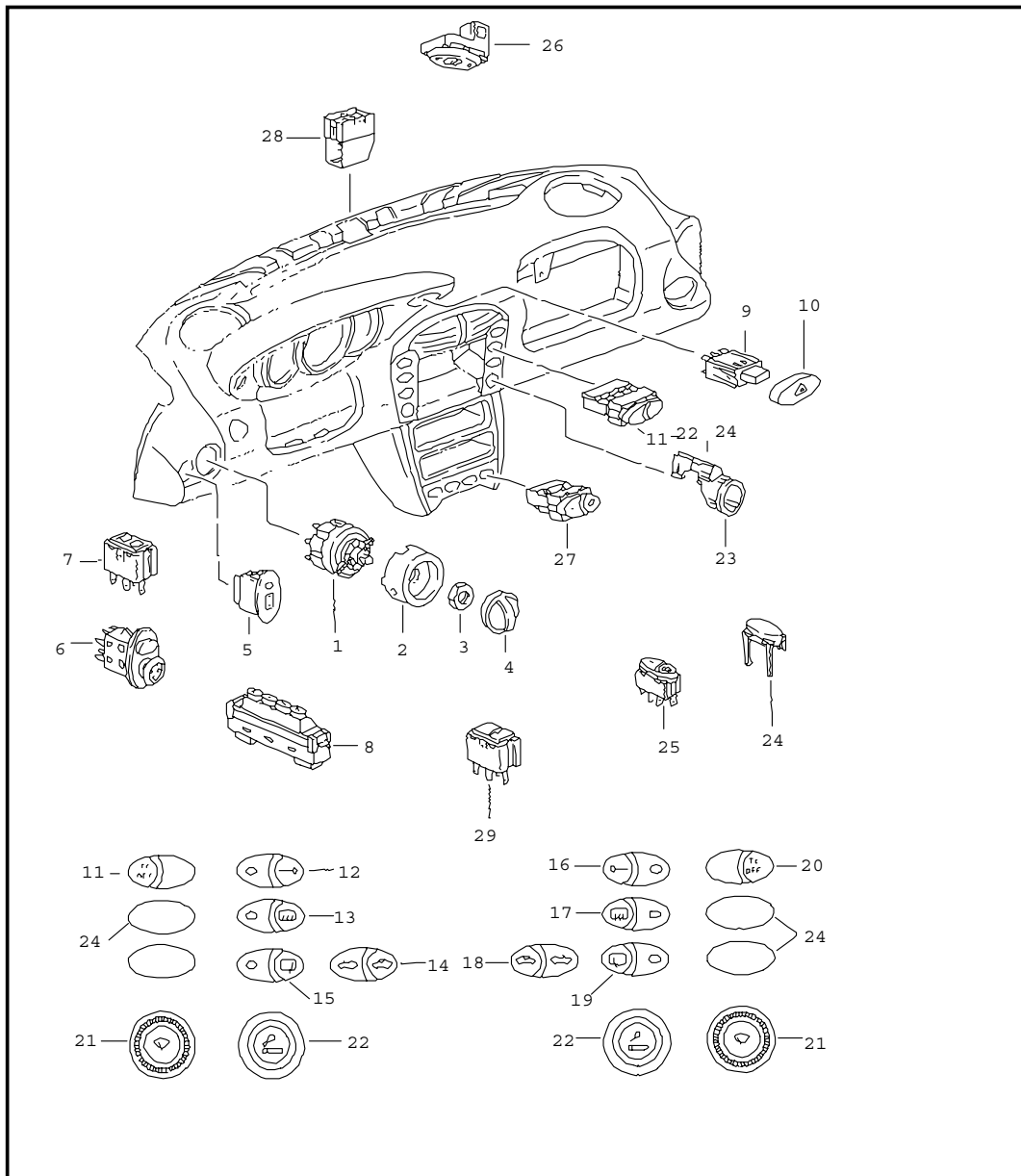


| Pos | Part Number      | Name  | Remarks | Qty | Model |
|-----|------------------|---|---------|-----|-------|
|     |                  | interior lights<br>luggage boot lamp<br>engine compartment lamp<br>glove compartment light<br>floor light<br>combined lights<br>door opener |         |     | XX2   |
| 1   | 996 632 051 01   | interior light  | -00     | 1   |       |
| 1   | 996 632 053 01   | interior light  | 01      | 1   |       |
| 1   | 996 632 053 10   | interior light  | 02-     | 1   |       |
| 1   | 996 632 051 01   | interior light  | 01      | 1   | M 265 |
| 1   | 996 632 051 10   | interior light  | 02-     | 1   | M 265 |
| 2   | 996 632 151 00   | lens  | -00     | 1   |       |
| 2   | 996 632 153 00   | lens  | 01      | 1   |       |
| 2   | 996 632 153 10   | lens  | 02-     | 1   |       |
| 2   | 996 632 151 00   | lens  | 01-     | 1   | M 265 |
| 3   | 900 631 106 90   | bulb<br>10 W  |         | 1   |       |
| 4   | 999 631 134 90   | bulb<br>6 W   |         | 2   |       |
| 5   | 999 632 018 00   | bulb holder   |         | 2   |       |
| 6   | 996 632 132 01   | door guard light  |         | 2   |       |
| 6   | 996 632 135 00   | light<br>tray<br>luggage  | 02-     | 2   | TARGA |
| 7   | 999 631 032 90   | bulb<br>5 W   |         | 2   |       |
| 8   | 161 949 111      | bulb holder   |         | 2   |       |
| 9   | 996 632 113 00   | ashtray light   |         | 1   |       |
|     |                  | luggage boot lamp<br>engine compartment lamp<br>floor light   |         |     | XX2   |
| 10  | A 959 632 201 00 | light   |         | 2   |       |
| 10  | 997 632 201 00   | light   |         | 2   |       |
| -   | 815 971 989 B    | plug socket   |         | 2   |       |
| -   | N 017 490 6      | connector   |         | 4   |       |

|       |      |    |    |              |              |        |       |            |         |     |         |
|-------|------|----|----|--------------|--------------|--------|-------|------------|---------|-----|---------|
| Model | Year | MG | SG | Illustration | Restrictions | Update | 11:48 | 25.11.2005 | PORSCHE | PET | PORSCHE |
| 996   | 05   | 9  | 03 | 903-04       |              | 194    |       |            |         |     |         |

| Pos  | Part Number    | Name   | Remarks | Qty | Model | Pos | Part Number | Name | Remarks | Qty | Model |
|------|----------------|--|---------|-----|-------|-----|-------------|------|---------|-----|-------|
| -    | 996 632 980 00 | support<br>floor light   |         | 2   | XX2   |     |             |      |         |     |       |
| (10) | 928 632 101 00 | glove compartment light  | 02-     | 1   |       |     |             |      |         |     |       |
| 11   | 900 631 106 90 | linolite lamp<br>10 W  |         | 2   |       |     |             |      |         |     |       |
| (11) | 999 631 018 90 | linolite lamp<br>3 W<br>glove compartment light                          | 02-     | 1   |       |     |             |      |         |     |       |
| -    | 999 631 137 90 | bulb<br>3 W<br>make-up mirror  |         | 4   | M 274 |     |             |      |         |     |       |
| 12   | 996 632 121 02 | combined lights<br>driver's door<br>door opener<br>ignition starter lock | /LL 01- | 1   |       |     |             |      |         |     |       |
| (12) | 996 632 124 02 | combined lights<br>driver's door<br>door opener<br>ignition starter lock | /RL 01- | 1   |       |     |             |      |         |     |       |
| (12) | 996 632 122 02 | combined lights<br>passenger's door<br>door opener                       | /LL 01- | 1   |       |     |             |      |         |     |       |
| (12) | 996 632 123 02 | combined lights<br>passenger's door<br>door opener                       | /RL 01- | 1   |       |     |             |      |         |     |       |
| 13   | 996 632 125 00 | rose<br>driver's door<br>combined lights<br>ignition starter lock        | /LL 01- | 1   |       |     |             |      |         |     |       |
| (13) | 996 632 126 00 | rose<br>driver's door<br>combined lights<br>ignition starter lock        | /RL 01- | 1   |       |     |             |      |         |     |       |
|      |                | - - - E N D - - -  |         |     |       |     |             |      |         |     |       |

|       |      |    |    |              |              |        |       |            |         |     |         |
|-------|------|----|----|--------------|--------------|--------|-------|------------|---------|-----|---------|
| Model | Year | MG | SG | Illustration | Restrictions | Update | 11:48 | 25.11.2005 | PORSCHE | PET | PORSCHE |
| 996   | 05   | 9  | 03 | 903-05       |              | 194    |       |            |         |     |         |



| Pos | Part Number    | Name  | Remarks | Qty | Model               |
|-----|----------------|---|---------|-----|---------------------|
|     |                | switch  |         |     |                     |
| 1   | 996 613 535 00 | light switch                                  |         | 1   |                     |
| -   | 999 650 346 40 | terminal sleeve housing                       |         | 1   |                     |
| -   | 999 650 343 40 | cover   |         | 1   |                     |
| -   | 999 652 437 12 | connector<br>\$ 4,0                           |         | X   |                     |
| -   | 999 652 351 22 | connector<br>\$ 2,5                           |         | X   |                     |
| 2   | 996 613 631 01 | headlight unit                                | /LL     | 1   |                     |
| (2) | 996 613 632 01 | headlight unit                                | /RL     | 1   |                     |
| -   | 999 652 972 40 | plug socket                                   |         | 1   |                     |
| -   | 999 652 973 40 | cap   |         | 1   |                     |
| -   | 999 652 901 22 | connector                                     |         | 5   |                     |
| 3   | 999 034 030 09 | hexagon nut<br>M 16 X 1                       |         | 1   |                     |
| 4   | 996 613 533 01 | rotary knob                                   | -01     | 1   |                     |
|     |                | A01 gloss black                               |         |     |                     |
| 4   | 996 613 533 10 | rotary knob                                   | 02-     | 1   |                     |
|     |                | A05 black mat                                 |         |     |                     |
| 5   | 996 613 230 01 | potentiometer                                 | -00     | 1   | M 605               |
|     |                | A01 gloss black<br>headlight levelling system |         |     |                     |
| 6   | 996 613 241 00 | switch  |         | 1   | M 273               |
|     |                | 01C satin black<br>door mirror                |         |     |                     |
| (6) | 996 613 980 01 | switch<br>door mirror<br>leather              | 01-     | 1   | XTJ/XTK/XTL/<br>XTR |
|     |                | A11 black                                     |         |     |                     |
|     |                | C51 graphite grey                             |         |     |                     |
|     |                | S31 savanna                                   |         |     |                     |
|     |                | G11 metropole blue                            |         |     |                     |
|     |                | J31 nephrite green                            |         |     |                     |

|       |      |    |    |              |              |        |       |            |         |     |         |
|-------|------|----|----|--------------|--------------|--------|-------|------------|---------|-----|---------|
| Model | Year | MG | SG | Illustration | Restrictions | Update | 11:48 | 25.11.2005 | PORSCHE | PET | PORSCHE |
| 996   | 05   | 9  | 03 | 903-05       |              | 194    |       |            |         |     |         |

| Pos  | Part Number    | Name   | Remarks | Qty | Model        | Pos | Part Number    | Name   | Remarks | Qty | Model  |
|------|----------------|--|---------|-----|--------------|-----|----------------|--|---------|-----|--------|
|      | M31            | boxster red  |         |     |              | -   | 999 650 107 40 | plug socket  |         | 1   |        |
|      | P12            | cinnamon brown   |         |     |              | -   | 999 650 103 12 | connector  |         | 5   |        |
|      | D12            | dark grey/natural  |         |     |              | 12  | 996 613 144 00 | tip switch   | /LL -01 | 1   |        |
|      | T12            | brown/natural  |         |     |              |     | A02            | gloss black<br>central locking system                |         |     |        |
| -    | 993 612 501 00 | plug socket  |         | 1   |              | 12  | 996 613 144 10 | tip switch   | /LL 02- | 1   |        |
| -    | N 903 352 04   | connector  |         | 5   |              |     | A05            | black mat<br>central locking system                  |         |     |        |
| -    | 999 652 790 12 | cylindrical connector  |         | 2   |              | -   | 999 650 107 40 | plug socket  |         | 1   |        |
| 7    | 996 613 102 00 | tip switch<br>rear spoiler                                   |         | 1   |              | -   | 999 650 330 00 | connector  |         | 5   |        |
| -    | 999 650 035 40 | plug socket  |         | 1   |              | 13  | 996 613 134 00 | tip switch   | /LL -01 | 1   |        |
| -    | 999 650 330 00 | connector  |         | 5   |              |     | A02            | gloss black<br>heating<br>rear window<br>door mirror |         |     |        |
| 8    | 996 613 103 01 | memory switch  | -01     | 1   | M 537/ M 538 | 13  | 996 613 134 10 | tip switch   | /LL 02- | 1   |        |
| (8)  | 996 613 103 02 | memory switch  | 02-     | 1   | M 537/ M 538 |     | A05            | black mat<br>heating<br>rear window<br>door mirror   |         |     |        |
| 9    | 996 613 120 01 | hazard warning light sw.                                     |         | 1   |              | -   | 999 650 110 40 | plug socket  |         | 1   |        |
| 10   | 996 613 121 00 | adjusting lever  | -01     | 1   |              | -   | 999 650 103 12 | connector  |         | 5   |        |
|      | A02            | gloss black  |         |     |              | 14  | 996 613 138 00 | tip switch   | /LL -01 | 1   | CABRIO |
| 10   | 996 613 121 10 | adjusting lever  | 02-     | 1   |              |     | A02            | gloss black<br>folding top control                   |         |     |        |
|      | A05            | black mat  |         |     |              | 14  | 996 613 138 10 | tip switch   | /LL 02- | 1   | CABRIO |
| -    | 999 650 191 40 | plug socket  |         | 1   |              |     | A05            | black mat<br>folding top control                     |         |     |        |
| -    | 999 650 192 40 | locking device   |         | 1   |              | -   | 999 650 111 40 | plug socket  |         | 1   |        |
| -    | 999 652 475 22 | connector  |         | 9   |              | -   | 999 650 330 00 | connector  |         | 5   |        |
| -    | -              | rose<br>hazard warning light sw.<br>see group<br>8 / 09 / 00 |         | X   |              | 15  | 996 613 136 00 | tip switch   | /LL -01 | 1   | M 425  |
| 11   | 996 613 141 00 | tip switch   | /LL -99 | 1   | M 222        |     | A02            | gloss black<br>rear window wiper                     |         |     |        |
|      | A02            | gloss black  |         |     |              | 15  | 996 613 136 10 | tip switch   | /LL 02- | 1   | M 425  |
| (11) | 996 613 145 00 | tip switch   | /LL -01 | 1   | M 476        |     |                |  |         |     |        |
|      | A02            | gloss black  |         |     |              |     |                |  |         |     |        |
| (11) | 996 613 145 10 | tip switch   | /LL 02- | 1   | M 476        |     |                |  |         |     |        |
|      | A05            | black mat  |         |     |              |     |                |  |         |     |        |

|       |      |    |    |              |              |        |       |            |         |     |         |
|-------|------|----|----|--------------|--------------|--------|-------|------------|---------|-----|---------|
| Model | Year | MG | SG | Illustration | Restrictions | Update | 11:48 | 25.11.2005 | PORSCHE | PET | PORSCHE |
| 996   | 05   | 9  | 03 | 903-05       |              | 194    |       |            |         |     |         |

| Pos | Part Number    | Name  | Remarks | Qty | Model  | Pos  | Part Number    | Name                        | Remarks | Qty | Model |
|-----|----------------|---|---------|-----|--------|------|----------------|-----------------------------|---------|-----|-------|
|     | A05            | black mat rear window wiper                 |         |     |        | 19   | 996 613 135 10 | tip switch                  | /RL 02- | 1   | M 425 |
| -   | 999 650 111 40 | plug socket                                 |         | 1   |        |      | A05            | black mat rear window wiper |         |     |       |
| -   | 999 650 330 00 | connector                                   |         | 5   |        | -    | 999 650 111 40 | plug socket                 |         | 1   |       |
| 16  | 996 613 143 00 | tip switch                                  | /RL -01 | 1   |        | -    | 999 650 330 00 | connector                   |         | 5   |       |
|     | A02            | gloss black central locking system          |         |     |        | 20   | 996 613 142 00 | tip switch                  | /RL -99 | 1   | M 222 |
| 16  | 996 613 143 10 | tip switch                                  | /RL 02- | 1   |        |      | A02            | gloss black                 |         |     |       |
|     | A05            | black mat central locking system            |         |     |        | (20) | 996 613 146 00 | tip switch                  | /RL -01 | 1   | M 476 |
| -   | 999 650 107 40 | plug socket                                 |         | 1   |        |      | A02            | gloss black                 |         |     |       |
| -   | 999 650 330 00 | connector                                   |         | 5   |        | (20) | 996 613 146 10 | tip switch                  | /RL 02- | 1   | M 476 |
| 17  | 996 613 133 00 | tip switch                                  | /RL -01 | 1   |        |      | A05            | black mat                   |         |     |       |
|     | A02            | gloss black heating rear window door mirror |         |     |        | -    | 999 650 107 40 | plug socket                 |         | 1   |       |
| 17  | 996 613 133 10 | tip switch                                  | /RL 02- | 1   |        | -    | 999 650 103 12 | connector                   |         | 5   |       |
|     | A05            | black mat heating rear window door mirror   |         |     |        | 21   | 996 613 115 00 | potentiometer               | -01     | 1   |       |
| -   | 999 650 110 40 | plug socket                                 |         | 1   |        |      | A02            | gloss black wipe interval   |         |     |       |
| -   | 999 650 103 12 | connector                                   |         | 5   |        | 21   | 996 613 115 10 | potentiometer               | 02-     | 1   |       |
| 18  | 996 613 137 00 | tip switch                                  | /RL -01 | 1   | CABRIO |      | A05            | black mat wipe interval     |         |     |       |
|     | A02            | gloss black folding top control             |         |     |        | 21   | 996 613 127 00 | potentiometer               | 01      | 1   | M 265 |
| 18  | 996 613 137 10 | tip switch                                  | /RL 02- | 1   | CABRIO |      | A02            | gloss black wipe interval   |         |     |       |
|     | A05            | black mat folding top control               |         |     |        | 21   | 996 613 127 10 | potentiometer               | 02-     | 1   | M 265 |
| -   | 999 650 111 40 | plug socket                                 |         | 1   |        |      | A05            | black mat wipe interval     |         |     |       |
| -   | 999 650 330 00 | connector                                   |         | 5   |        | 22   | 996 652 101 00 | cigarette lighter           | -01     | 1   |       |
| 19  | 996 613 135 00 | tip switch                                  | /RL -01 | 1   | M 425  | 22   | 996 652 101 10 | cigarette lighter           | 02-     | 1   |       |
|     | A02            | gloss black rear window wiper               |         |     |        |      | A05            | black mat                   |         |     |       |
|     |                |   |         |     |        | -    | 999 650 284 40 | plug socket                 |         | 1   |       |
|     |                |   |         |     |        | -    | 999 652 735 12 | connector                   |         | 3   |       |
|     |                |   |         |     |        | (22) | 996 652 103 00 | socket                      |         | 1   | M 580 |
|     |                |   |         |     |        |      | A01            | gloss black                 |         |     |       |



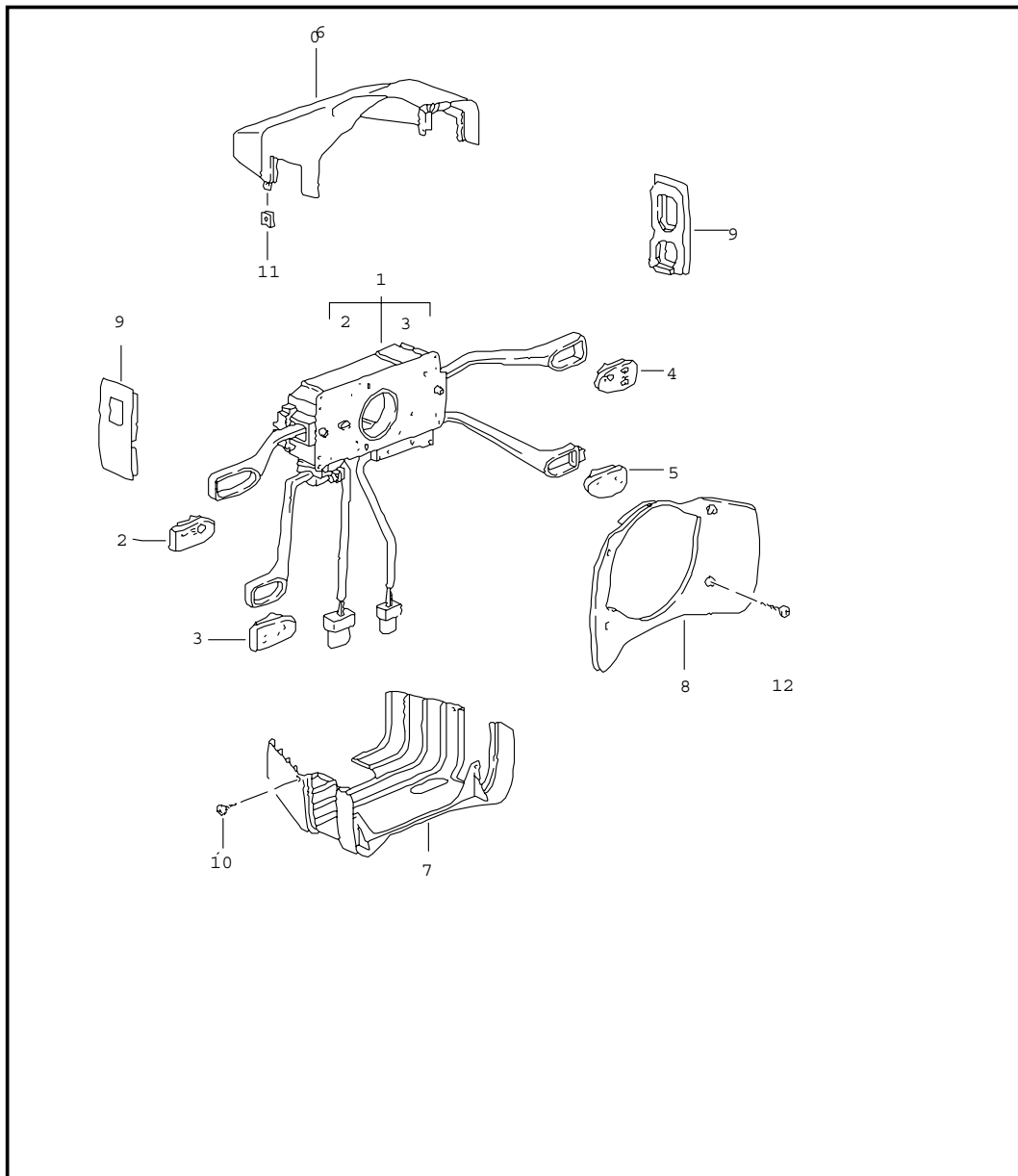
|       |      |    |    |              |              |        |       |            |         |     |         |
|-------|------|----|----|--------------|--------------|--------|-------|------------|---------|-----|---------|
| Model | Year | MG | SG | Illustration | Restrictions | Update | 11:48 | 25.11.2005 | PORSCHE | PET | PORSCHE |
| 996   | 05   | 9  | 03 | 903-05       |              | 194    |       |            |         |     |         |

| Pos  | Part Number    | Name                                | Remarks    | Qty | Model                 | Pos  | Part Number    | Name                           | Remarks          | Qty | Model                  |
|------|----------------|-------------------------------------|------------|-----|-----------------------|------|----------------|--------------------------------|------------------|-----|------------------------|
| 23   | 996 652 102 01 | headlight unit                      | -01        | 1   |                       |      | A02            | gloss black sunroof            |                  |     |                        |
| 23   | 996 652 102 10 | headlight unit                      | 02-        | 1   |                       | 26   | 996 613 147 10 | tip switch                     | 02-              | 1   | M 650                  |
| (23) | 996 652 104 00 | tensioning sleeve                   |            | 1   | M 580                 |      | A05            | black mat sunroof              |                  |     |                        |
| 24   | 996 552 425 00 | cover                               | -99        | X   |                       | 27   | 996 613 153 00 | tip switch                     | /L -01           | 1   | M 139                  |
|      | A01            | gloss black                         |            |     |                       |      | A02            | gloss black seat heater        |                  |     |                        |
| (24) | 986 613 425 00 | cover                               | -01        | X   |                       | (27) | 996 613 154 00 | tip switch                     | /R -01           | 1   | M 340                  |
|      | A01            | gloss black switch display specimen |            |     |                       |      | A02            | gloss black seat heater        |                  |     |                        |
| (24) | 996 613 425 10 | cover                               | 02-        | X   |                       | 27   | 996 613 153 10 | tip switch                     | /L -02<br>/L 03- | 1   | M 139<br>M 342         |
|      | A05            | black mat switch display specimen   |            |     |                       |      | A05            | black mat seat heater          |                  |     |                        |
| (24) | 996 613 980 06 | tip switch                          | 02-        | 1   | XX2                   | (27) | 996 613 154 10 | tip switch                     | /R -02<br>/R 03- | 1   | M 340<br>M 342         |
|      | A05            | black mat floor light               |            |     |                       |      | A05            | black mat seat heater          |                  |     |                        |
| (24) | 996 613 987 10 | tip switch                          |            | 1   | XLF                   | -    | 999 650 109 40 | plug socket                    | /L               | 1   |                        |
|      | A05            | black mat                           | /LL<br>/RL |     | COUPE/TARGA<br>CABRIO | -    | 999 650 330 00 | connector                      | /L               | 5   |                        |
| (24) | 996 613 988 10 | tip switch                          |            | 1   | XLF                   | -    | 999 650 035 40 | plug socket                    | /R               | 1   |                        |
|      | A05            | black mat                           | /LL<br>/RL |     | CABRIO<br>COUPE/TARGA | -    | 999 650 330 00 | connector                      | /R               | 5   |                        |
| 25   | 996 613 151 00 | tip switch                          | -01        | 2   | COUPE                 | (27) | 996 613 157 10 | tip switch                     | 02-              | 1   | TARGA                  |
|      | A02            | gloss black power windows           | -01        |     | CABRIO                |      | A05            | black mat glass roof           |                  |     |                        |
| 25   | 996 613 151 10 | tip switch                          | 02-        | 2   | COUPE                 | (27) | 996 613 119 10 | tip switch                     | 02-              | 1   | TARGA                  |
|      | A05            | black mat power windows             | 02-        |     | CABRIO                |      | A05            | black mat shade                |                  |     |                        |
| -    | 999 650 109 40 | plug socket                         | /L         | 1   |                       | 28   | 996 653 251 00 | light alarm system with sensor |                  | 1   | M 534, M 535,<br>M 573 |
| -    | 999 650 330 00 | connector                           | /L         | 5   |                       | -    | 999 650 221 40 | plug socket                    |                  | 1   |                        |
| -    | 999 650 035 40 | plug socket                         | /R         | 1   |                       | 29   | 996 613 105 10 | tip switch                     | 01-              | 1   |                        |
| -    | 999 650 330 00 | connector                           | /R         | 5   |                       |      |                |                                |                  |     |                        |
| 26   | 996 613 147 00 | tip switch                          | -01        | 1   | M 650                 |      |                |                                |                  |     |                        |

|       |      |    |    |              |              |        |       |            |         |     |         |
|-------|------|----|----|--------------|--------------|--------|-------|------------|---------|-----|---------|
| Model | Year | MG | SG | Illustration | Restrictions | Update | 11:48 | 25.11.2005 | PORSCHE | PET | PORSCHE |
| 996   | 05   | 9  | 03 | 903-05       |              | 194    |       |            |         |     |         |

| Pos  | Part Number    | Name                                   | Remarks | Qty | Model | Pos | Part Number | Name | Remarks | Qty | Model |
|------|----------------|--|---------|-----|-------|-----|-------------|------|---------|-----|-------|
|      | A05            | black mat<br>cover<br>front            |         |     |       |     |             |      |         |     |       |
| (29) | 996 613 106 10 | tip switch                             | 01-     | 1   |       |     |             |      |         |     |       |
|      | A05            | black mat<br>cover<br>rear             |         |     |       |     |             |      |         |     |       |
| (29) | 996 613 107 10 | tip switch                             | 02-     | 1   | TARGA |     |             |      |         |     |       |
|      | A05            | black mat<br>rear lid unlocking device |         |     |       |     |             |      |         |     |       |
|      |                | - - - E N D - - -                      |         |     |       |     |             |      |         |     |       |

|       |      |    |    |              |              |        |       |            |         |     |         |
|-------|------|----|----|--------------|--------------|--------|-------|------------|---------|-----|---------|
| Model | Year | MG | SG | Illustration | Restrictions | Update | 11:48 | 25.11.2005 | PORSCHE | PET | PORSCHE |
| 996   | 05   | 9  | 03 | 903-10       |              | 194    |       |            |         |     |         |



| Pos | Part Number    | Name  | Remarks | Qty | Model     |
|-----|----------------|---|---------|-----|-----------|
| 1   | 996 613 219 10 | steering column switch                                |         | 1   | M 454/659 |
|     | EWC            | black mat/satin black                                 |         |     |           |
| 1   | 996 613 217 10 | steering column switch                                |         | 1   | M 454     |
|     | EWC            | black mat/satin black                                 |         |     |           |
| 1   | 996 613 215 10 | steering column switch                                |         | 1   | M 659     |
|     | EWC            | black mat/satin black                                 |         |     |           |
| 1   | 996 613 213 10 | steering column switch                                |         | 1   |           |
|     | EWC            | black mat/satin black                                 |         |     |           |
| -   | 999 652 640 40 | plug socket   | /L      | 1   |           |
| -   | 999 652 639 22 | contact bush  | /L      | X   |           |
| -   | 999 652 641 40 | plug socket   | /R      | 1   |           |
| -   | 999 652 639 22 | contact bush  | /R      | X   |           |
| -   | 999 650 056 40 | plug socket   |         | 1   | M 659     |
| -   | 999 650 057 40 | cap   |         | 1   | M 659     |
| -   | 999 652 901 22 | contact bush  |         | X   | M 659     |
| -   | 999 652 972 40 | plug socket   |         | 1   | M 454     |
| -   | 999 652 973 40 | cap   |         | 1   | M 454     |
| -   | 999 652 901 22 | contact bush  |         | X   | M 454     |
| 2   | 996 613 509 00 | cap with symbol                                       | -01     | 1   |           |
|     | A01            | gloss black<br>direction indicator light<br>high beam |         |     |           |
| 2   | 996 613 509 10 | cap with symbol                                       | 02-     | 1   |           |
|     | A05            | black mat<br>direction indicator light<br>high beam   |         |     |           |
| 3   | 996 613 503 01 | cap with symbol                                       | -01     | 1   | M 659     |
|     | A01            | gloss black   |         |     |           |
| 3   | 996 613 503 10 | cap with symbol                                       | 02-     | 1   | M 659     |

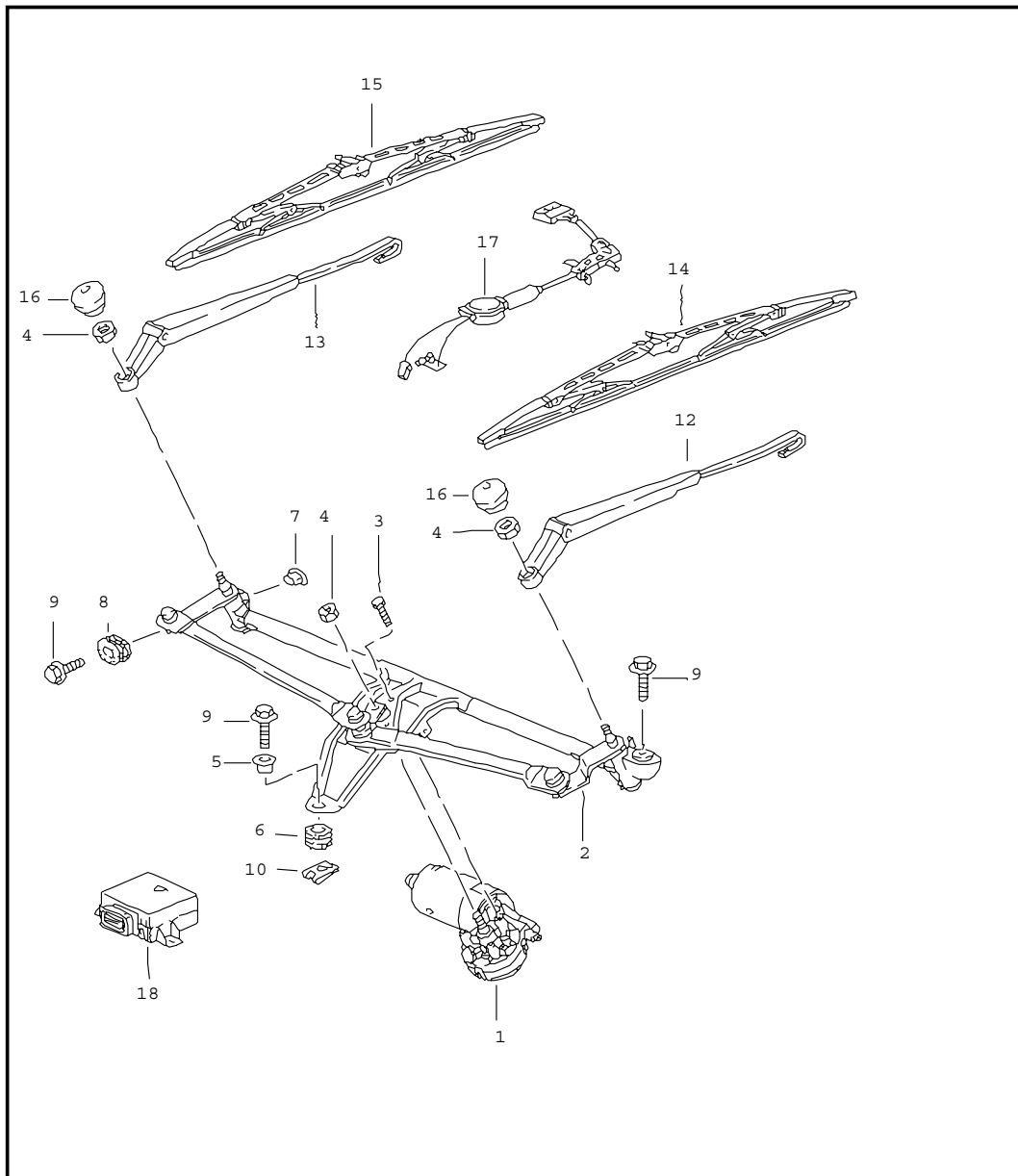
|       |      |    |    |              |              |        |       |            |         |     |         |
|-------|------|----|----|--------------|--------------|--------|-------|------------|---------|-----|---------|
| Model | Year | MG | SG | Illustration | Restrictions | Update | 11:48 | 25.11.2005 | PORSCHE | PET | PORSCHE |
| 996   | 05   | 9  | 03 | 903-10       |              | 194    |       |            |         |     |         |

| Pos | Part Number    | Name                        | Remarks | Qty | Model | Pos | Part Number    | Name                                | Remarks | Qty | Model |
|-----|----------------|-----------------------------|---------|-----|-------|-----|----------------|-------------------------------------|---------|-----|-------|
|     | A05            | black mat                   |         |     |       |     | G10            | metropole blue                      | -99     |     |       |
| 4   | 996 613 507 00 | cap with symbol             | -01     | 1   | M 288 |     | S30            | savanna                             | -99     |     |       |
|     | A01            | gloss black                 |         |     |       |     | A03            | black                               | 00-     |     |       |
| 4   | 996 613 507 10 | cap with symbol             | 02-     | 1   | M 288 |     | B13            | space grey                          | 00-     |     |       |
|     | A05            | black mat                   |         |     |       |     | C53            | graphite grey                       | 00-     |     |       |
| (4) | 996 613 508 00 | cap with symbol             | -01     | 1   |       |     | G13            | metropole blue                      | 00-     |     |       |
|     | A01            | gloss black                 |         |     |       |     | J33            | nephrite green                      | 00-     |     |       |
| (4) | 996 613 508 10 | cap with symbol             | 02-     | 1   |       |     | M33            | boxster red                         | 00-     |     |       |
|     | A05            | black mat                   |         |     |       |     | S33            | savanna                             | 00-     |     |       |
| 5   | 996 613 504 00 | cap with symbol             | -01     | 1   | M 454 |     | P13            | cinnamon brown                      | 01-     |     |       |
|     | A01            | gloss black<br>german       |         |     |       | 7   | 996 552 275 02 | switch housing                      | -99     | 1   |       |
| 5   | 996 613 504 10 | cap with symbol             | 02-     | 1   | M 454 |     | 01C            | satin black                         |         |     |       |
|     | A05            | black mat<br>german         |         |     |       | 7   | 996 552 275 03 | switch housing<br>lacquered         |         | 1   |       |
| (5) | 996 613 505 00 | cap with symbol             | -01     | 1   | M 454 |     | B50            | space grey                          | -99     |     |       |
|     | A01            | gloss black<br>english      |         |     |       |     | C50            | graphite grey                       | -99     |     |       |
| (5) | 996 613 505 10 | cap with symbol             | 02-     | 1   | M 454 |     | G10            | metropole blue                      | -99     |     |       |
|     | A05            | black mat<br>english        |         |     |       |     | S30            | savanna                             | -99     |     |       |
| (5) | 996 613 506 00 | cap with symbol             | -01     | 1   | M 454 |     | A03            | black                               | 00-     |     |       |
|     | A01            | gloss black<br>french       |         |     |       |     | B13            | space grey                          | 00-     |     |       |
| (5) | 996 613 506 10 | cap with symbol             | 02-     | 1   | M 454 |     | C53            | graphite grey                       | 00-     |     |       |
|     | A05            | black mat<br>french         |         |     |       |     | G13            | metropole blue                      | 00-     |     |       |
| 6   | 996 552 273 00 | switch housing              | -99     | 1   |       |     | J33            | nephrite green                      | 00-     |     |       |
|     | 01C            | satin black                 |         |     |       |     | M33            | boxster red                         | 00-     |     |       |
| 6   | 996 552 273 01 | switch housing<br>lacquered |         | 1   |       |     | S33            | savanna                             | 00-     |     |       |
|     | B50            | space grey                  | -99     |     |       |     | P13            | cinnamon brown                      | 01-     |     |       |
|     | C50            | graphite grey               | -99     |     |       | -   | 996 610 206 00 | support<br>for<br>connector housing |         | 1   |       |
|     |                |                             |         |     |       | 8   | 993 552 277 00 | cover                               | -99     | 1   |       |
|     |                |                             |         |     |       |     | 01C            | satin black                         |         |     |       |

|       |      |    |    |              |              |        |       |            |         |     |         |
|-------|------|----|----|--------------|--------------|--------|-------|------------|---------|-----|---------|
| Model | Year | MG | SG | Illustration | Restrictions | Update | 11:48 | 25.11.2005 | PORSCHE | PET | PORSCHE |
| 996   | 05   | 9  | 03 | 903-10       |              | 194    |       |            |         |     |         |

| Pos | Part Number    | Name                                     | Remarks | Qty | Model     | Pos | Part Number | Name | Remarks | Qty | Model |
|-----|----------------|--|---------|-----|-----------|-----|-------------|------|---------|-----|-------|
| 8   | 996 552 277 00 | cover<br>lacquered                       |         | 1   |           |     |             |      |         |     |       |
|     | B50            | space grey                               | -99     |     |           |     |             |      |         |     |       |
|     | C50            | graphite grey                            | -99     |     |           |     |             |      |         |     |       |
|     | G10            | metropole blue                           | -99     |     |           |     |             |      |         |     |       |
|     | S30            | savanna                                  | -99     |     |           |     |             |      |         |     |       |
|     | A03            | black                                    | 00-     |     |           |     |             |      |         |     |       |
|     | B13            | space grey                               | 00-     |     |           |     |             |      |         |     |       |
|     | C53            | graphite grey                            | 00-     |     |           |     |             |      |         |     |       |
|     | G13            | metropole blue                           | 00-     |     |           |     |             |      |         |     |       |
|     | J33            | nephrite green                           | 00-     |     |           |     |             |      |         |     |       |
|     | M33            | boxster red                              | 00-     |     |           |     |             |      |         |     |       |
|     | S33            | savanna                                  | 00-     |     |           |     |             |      |         |     |       |
|     | P13            | cinnamon brown                           | 01-     |     |           |     |             |      |         |     |       |
| 9   | 993 552 573 00 | cover                                    |         | X   |           |     |             |      |         |     |       |
|     | 01C            | satin black                              |         |     |           |     |             |      |         |     |       |
|     |                |  |         | 1   | M 454     |     |             |      |         |     |       |
|     |                |  |         | 1   | M 659     |     |             |      |         |     |       |
| (9) | 993 552 573 01 | cover                                    |         | X   |           |     |             |      |         |     |       |
|     | 01C            | satin black                              |         |     |           |     |             |      |         |     |       |
|     |                |  |         |     | M 454/659 |     |             |      |         |     |       |
|     |                |  |         |     | M 454     |     |             |      |         |     |       |
|     |                |  |         |     | M 659     |     |             |      |         |     |       |
| 10  | 900 143 002 07 | tapping screw<br>B 2,9 X 9,5             |         | 2   |           |     |             |      |         |     |       |
| 11  | 999 591 888 02 | speed nut<br>B 2,9                       |         | 2   |           |     |             |      |         |     |       |
| 12  | 900 143 072 02 | oval-head sheetmetal screw<br>B 3,5 X 19 |         | 4   |           |     |             |      |         |     |       |
|     |                | - - - E N D - - -                        |         |     |           |     |             |      |         |     |       |

|       |      |    |    |              |              |        |       |            |         |     |         |
|-------|------|----|----|--------------|--------------|--------|-------|------------|---------|-----|---------|
| Model | Year | MG | SG | Illustration | Restrictions | Update | 11:49 | 25.11.2005 | PORSCHE | PET | PORSCHE |
| 996   | 05   | 9  | 04 | 904-00       |              | 194    |       |            |         |     |         |

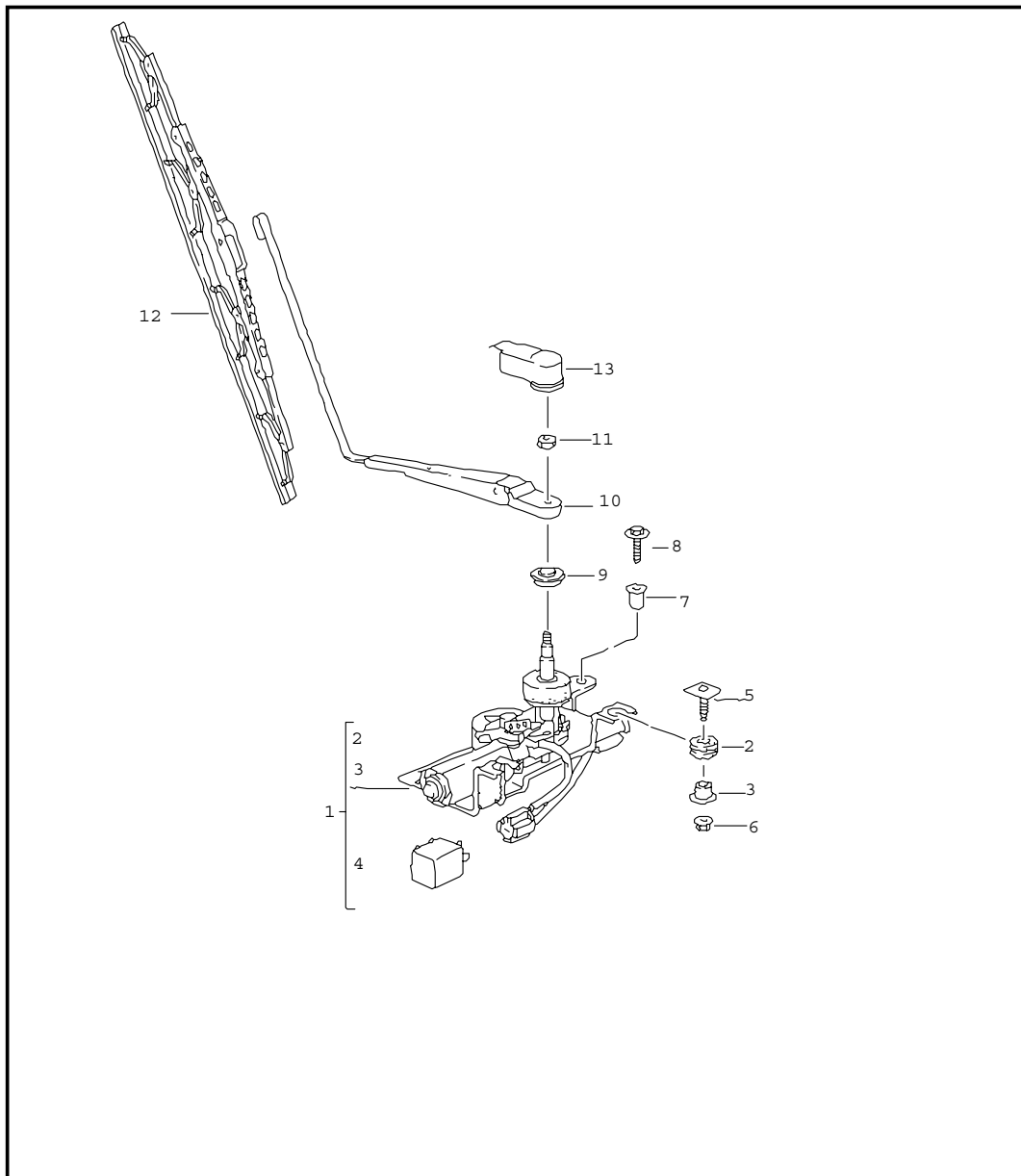


| Pos  | Part Number      | Name                                   | Remarks | Qty | Model |
|------|------------------|--|---------|-----|-------|
|      |                  | windscreen wiper system<br>rain sensor |         |     | M 265 |
| 1    | A 996 624 105 00 | wiper motor                            | /LL -04 | 1   |       |
| 1    | 997 624 105 00   | wiper motor                            | /LL     | 1   |       |
| (1)  | A 996 624 106 00 | wiper motor                            | /RL -04 | 1   |       |
| (1)  | 997 624 106 00   | wiper motor                            | /RL     | 1   |       |
| 2    | A 996 628 935 00 | crank drive                            | /LL -04 | 1   |       |
| 2    | 997 628 235 00   | crank drive                            | /LL     | 1   |       |
| (2)  | A 996 628 936 00 | crank drive                            | /RL -04 | 1   |       |
| (2)  | 997 628 236 00   | crank drive                            | /RL     | 1   |       |
| 3    | 900 075 014 02   | hexagon-head bolt<br>M 6 X 18          | -04     | 3   |       |
| (3)  | 999 073 359 09   | torx screw<br>M 6 X 18                 | 05      | 3   |       |
| 4    | 900 076 025 02   | hexagon nut<br>M 8                     | -04     | 3   |       |
| 4    | 900 076 064 01   | hexagon nut<br>M 8                     | 05      | 3   |       |
| 5    | 999 924 102 02   | sleeve                                 |         | 1   |       |
| 6    | 999 702 204 50   | rubber bush                            |         | 1   |       |
| 7    | 996 628 713 00   | sleeve                                 |         | 1   |       |
| 8    | 996 628 703 00   | rubber bush                            |         | 1   |       |
| 9    | 999 075 056 09   | screw<br>M 6 X 22 Z2                   | -04     | 3   |       |
| 9    | 999 075 075 09   | screw<br>M 6 X 22 SC                   | 05      | 3   |       |
| 10   | 999 507 246 02   | speed nut<br>M 6                       |         | 1   |       |
| 12   | 996 628 028 00   | wiper arm<br>driver's side             | /LL     | 1   |       |
| (12) | 996 628 027 01   | wiper arm<br>passenger's side          | /RL     | 1   |       |
| 13   | 996 628 028 01   | wiper arm<br>passenger's side          | /LL     | 1   |       |

|       |      |    |    |              |              |        |       |            |         |     |         |
|-------|------|----|----|--------------|--------------|--------|-------|------------|---------|-----|---------|
| Model | Year | MG | SG | Illustration | Restrictions | Update | 11:49 | 25.11.2005 | PORSCHE | PET | PORSCHE |
| 996   | 05   | 9  | 04 | 904-00       |              | 194    |       |            |         |     |         |

| Pos  | Part Number    | Name   | Remarks | Qty | Model        | Pos | Part Number | Name | Remarks | Qty | Model |
|------|----------------|--|---------|-----|--------------|-----|-------------|------|---------|-----|-------|
| (13) | 996 628 027 00 | wiper arm<br>driver's side   | /RL     | 1   |              |     |             |      |         |     |       |
| (14) | 996 628 901 08 | wiper blade<br>set<br>driver's side<br>passenger's side<br>see technical information<br>GR. 9 , NR. 1/03 | /LL     | 1   |              |     |             |      |         |     |       |
| (15) | 996 628 901 08 | wiper blade<br>set<br>driver's side<br>passenger's side<br>see technical information<br>GR. 9 , NR. 1/03 | /RL     | 1   |              |     |             |      |         |     |       |
| 16   | 944 628 305 01 | cap  |         | 2   |              |     |             |      |         |     |       |
| 17   | 996 612 506 00 | rain sensor<br>with<br>wiring harness  |         | 1   | COUPE M 265  |     |             |      |         |     |       |
| (17) | 996 612 516 00 | rain sensor<br>with<br>wiring harness  |         | 1   | CABRIO M 265 |     |             |      |         |     |       |
| (17) | 996 612 526 00 | rain sensor<br>with<br>wiring harness  | 02-     | 1   | TARGA M 265  |     |             |      |         |     |       |
| -    | 000 043 204 65 | adhesive film<br>for<br>rain sensor<br>see technical manual<br>GR. 9 / 92 12 19                          |         | 1   | M 265        |     |             |      |         |     |       |
| 18   | 996 615 113 00 | control unit<br>rain sensor  |         | 1   | M 265        |     |             |      |         |     |       |
|      |                | - - - E N D - - -  |         |     |              |     |             |      |         |     |       |

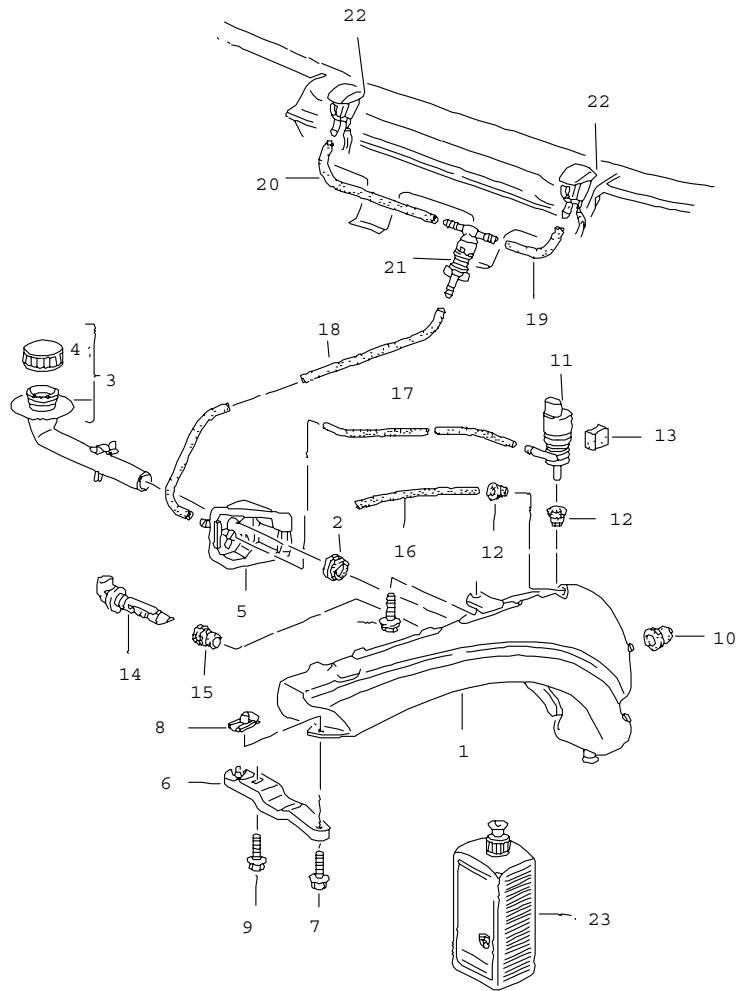
|       |      |    |    |              |              |        |       |            |         |     |         |
|-------|------|----|----|--------------|--------------|--------|-------|------------|---------|-----|---------|
| Model | Year | MG | SG | Illustration | Restrictions | Update | 11:49 | 25.11.2005 | PORSCHE | PET | PORSCHE |
| 996   | 05   | 9  | 04 | 904-05       |              | 194    |       |            |         |     |         |



| Pos               | Part Number    | Name                 | Remarks | Qty | Model       |
|-------------------|----------------|----------------------|---------|-----|-------------|
|                   |                | rear window wiper    |         |     | COUPE/TARGA |
| 1                 | 996 628 080 00 | wiper motor          |         | 1   | CARRERA     |
| 1                 | 996 628 080 01 | wiper motor          | 02-     | 1   | CARRERA 4 S |
| (1)               | 996 628 090 00 | wiper motor          | 02-     | 1   | TARGA       |
| 2                 | 999 702 204 50 | rubber bush          |         | 2   |             |
| 3                 | 999 924 102 02 | sleeve               |         | 2   |             |
| 4                 | 928 618 104 00 | relay                |         | 1   |             |
| 5                 | 999 081 004 02 | screw                |         | 2   |             |
| 6                 | 999 084 212 02 | hexagon nut<br>M 6   |         | 2   |             |
| 7                 | 999 500 078 00 | sheetmetal press nut |         | 1   |             |
| 8                 | 999 075 056 09 | screw<br>M 6 X 22 Z2 |         | 1   |             |
| 9                 | 996 628 273 01 | grommet              |         | 1   |             |
| 10                | 996 628 040 00 | wiper arm            |         | 1   | COUPE       |
| (10)              | 996 628 050 00 | wiper arm            | 02-     | 1   | TARGA       |
| 11                | 900 076 025 02 | hexagon nut          |         | 1   |             |
| 12                | 996 628 901 07 | wiper blade          |         | 1   |             |
| 13                | 944 628 122 00 | cap                  |         | 1   |             |
| - - - E N D - - - |                |                      |         |     |             |



|       |      |    |    |              |              |        |       |            |         |     |         |
|-------|------|----|----|--------------|--------------|--------|-------|------------|---------|-----|---------|
| Model | Year | MG | SG | Illustration | Restrictions | Update | 11:49 | 25.11.2005 | PORSCHE | PET | PORSCHE |
| 996   | 05   | 9  | 04 | 904-10       |              | 194    |       |            |         |     |         |

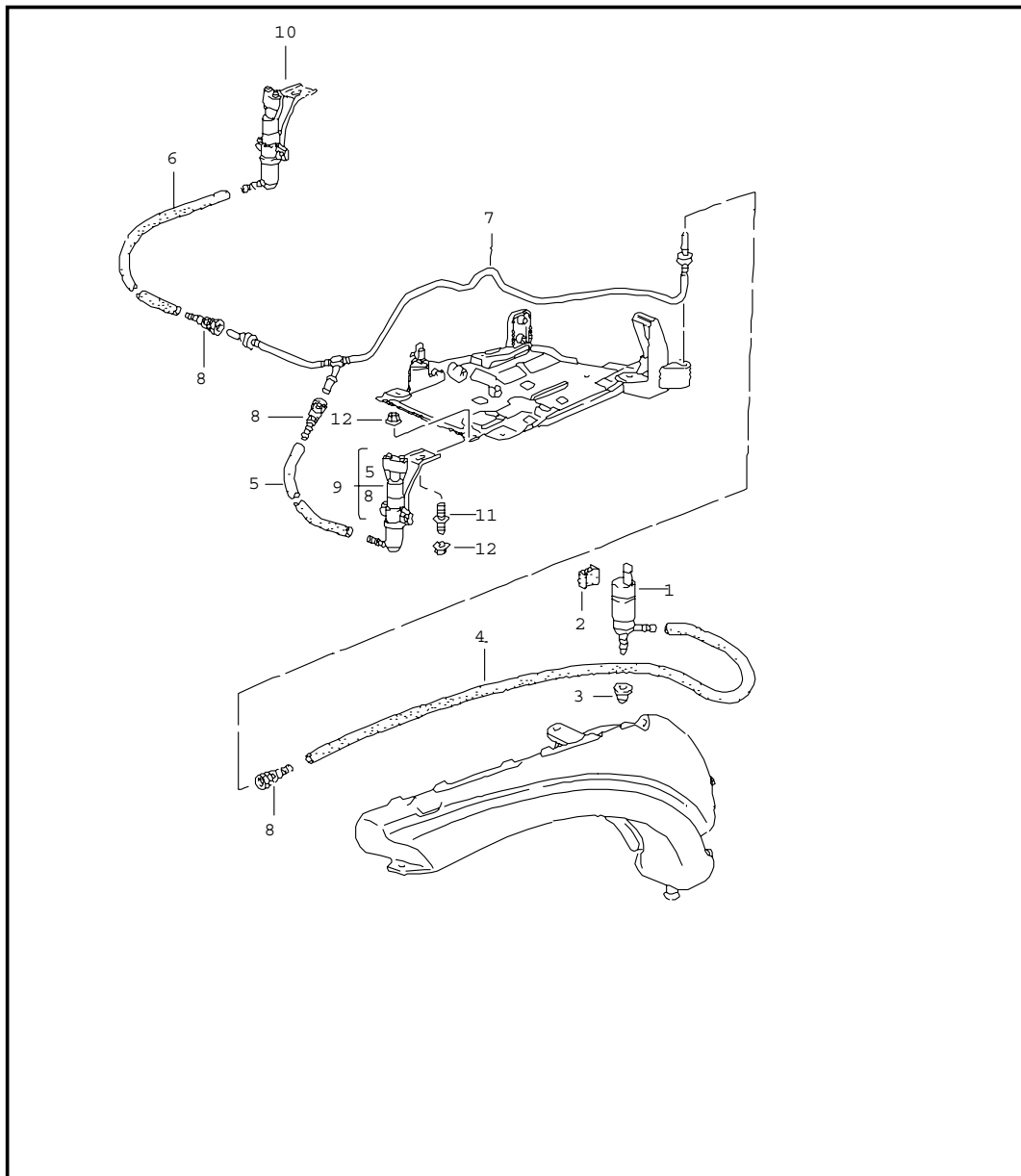


| Pos | Part Number    | Name   | Remarks | Qty | Model |
|-----|----------------|--|---------|-----|-------|
|     |                | windscreen washer system   |         |     |       |
| 1   | 996 528 701 00 | water reservoir  |         | 1   | M 288 |
| (1) | 996 528 701 01 | water reservoir  |         | 1   |       |
| 2   | 996 528 711 00 | gasket   |         | 1   |       |
| 3   | 996 528 605 00 | filler neck  |         | 1   |       |
| 4   | 996 528 607 00 | cover  |         | 1   |       |
| 5   | 996 528 615 01 | bracket  |         | 1   |       |
| -   | 999 137 091 40 | socket<br>repair material<br>for<br>bracket<br>996.528.615.00/01 |         | X   |       |
| (6) | 996 528 611 02 | support  |         | 1   | M 288 |
| 7   | 900 378 030 09 | hexagon-head bolt<br>M 6 X 20                                    |         | 1   | M 288 |
| 8   | 999 591 882 02 | speed nut<br>M 6   |         | 1   | M 288 |
| 9   | 900 378 154 09 | hexagon-head bolt<br>AM 8 X 35 SB                                |         | 1   | M 288 |
| 10  | 999 702 221 40 | grommet  |         | 2   |       |
| 11  | 996 628 172 00 | pump   |         | 1   |       |
| 12  | 431 955 465 B  | gasket   |         | 2   |       |
| 13  | 993 628 213 00 | spacer   |         | 1   | M 288 |
| 14  | 996 628 105 00 | tank gauge   |         | 1   |       |
| 15  | 996 528 721 00 | gasket   |         | 1   |       |
| 16  | 999 181 347 40 | breather pipe<br>245 MM<br>640 MM                                |         | *   | M 288 |
| -   | 999 181 815 40 | hose<br>5,0 X 2,5  |         | *   |       |
| 17  | -              | 400 MM   |         | 1   |       |
| 18  | -              | 560 MM   |         | 1   |       |
| 19  | -              | 80 MM  |         | 1   |       |
| 20  | -              | 380 MM   |         | 1   |       |

|       |      |    |    |              |              |        |       |            |         |     |         |
|-------|------|----|----|--------------|--------------|--------|-------|------------|---------|-----|---------|
| Model | Year | MG | SG | Illustration | Restrictions | Update |       |            |         |     |         |
| 996   | 05   | 9  | 04 | 904-10       |              | 194    | 11:49 | 25.11.2005 | PORSCHE | PET | PORSCHE |

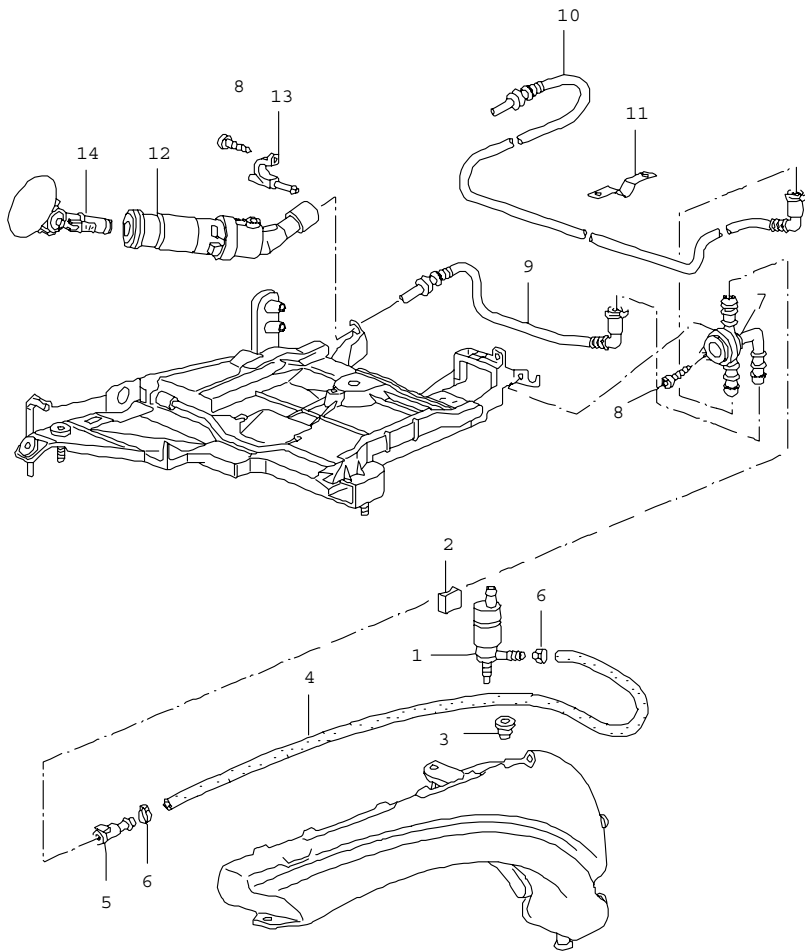
| Pos               | Part Number      | Name                                | Remarks | Qty | Model | Pos | Part Number | Name | Remarks | Qty | Model |
|-------------------|------------------|-------------------------------------|---------|-----|-------|-----|-------------|------|---------|-----|-------|
| 21                | 996 628 102 00   | t-piece                             |         | 1   |       |     |             |      |         |     |       |
| 22                | A 996 628 077 00 | nozzle<br>adjustable                | 98      | 2   |       |     |             |      |         |     |       |
| (22)              | 996 628 077 01   | nozzle<br>not<br>adjustable         | 99-     | 2   |       |     |             |      |         |     |       |
| 23                | 999 901 017 41   | window cleaner<br>250 ML<br>summer  |         | X   |       |     |             |      |         |     |       |
| 23                | 999 901 033 40   | window cleaner<br>1000 ML<br>winter |         | X   |       |     |             |      |         |     |       |
| - - - E N D - - - |                  |                                     |         |     |       |     |             |      |         |     |       |

|       |      |    |    |              |              |        |       |            |         |     |         |
|-------|------|----|----|--------------|--------------|--------|-------|------------|---------|-----|---------|
| Model | Year | MG | SG | Illustration | Restrictions | Update | 11:49 | 25.11.2005 | PORSCHE | PET | PORSCHE |
| 996   | 05   | 9  | 04 | 904-20       |              | 194    |       |            |         |     |         |



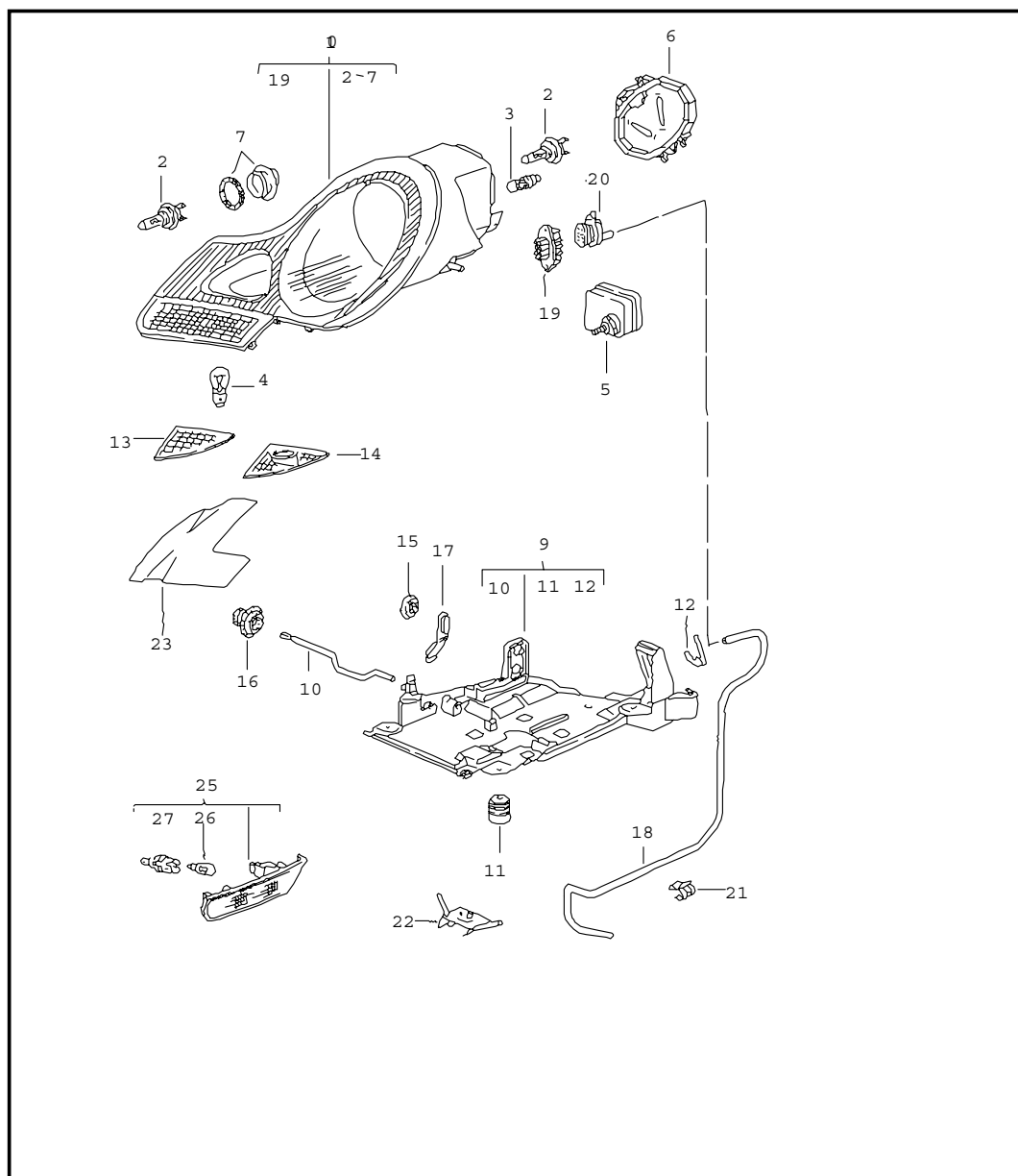
| Pos | Part Number    | Name                      | Remarks | Qty | Model |
|-----|----------------|---------------------------|---------|-----|-------|
|     |                | headlight washer system   | -01     |     | M 288 |
| 1   | 996 624 502 00 | pump                      |         | 1   |       |
| 2   | 993 628 213 00 | spacer                    |         | 1   |       |
| 3   | 928 628 193 00 | gasket without strainer   |         | 1   |       |
| (3) | 996 628 393 00 | gasket with strainer      |         | 1   |       |
| -   | 000 043 204 79 | hose 8 X 3                |         | *   |       |
| 4   | -              | 1020 MM                   |         | 1   |       |
| 5   | -              | 170 MM                    |         | 1   |       |
| 6   | -              | 930 MM                    |         | 1   |       |
| -   | 999 512 673 00 | hose clamp for POS. 1 + 8 |         | X   |       |
| -   | 999 512 568 02 | hose clamp for POS. 5 + 6 |         | X   |       |
| 7   | 996 628 673 00 | line                      |         | 1   |       |
| 8   | 996 628 675 00 | quick-connecting lock     |         | 3   |       |
| 9   | 996 628 333 00 | nozzle                    | /L      | 1   |       |
| 10  | 996 628 334 00 | nozzle                    | /R      | 1   |       |
| 11  | 996 628 335 00 | threaded bolt             |         | 2   |       |
| 12  | 999 076 064 02 | hexagon nut M 6-S         |         | 4   |       |
|     |                | - - - E N D - - -         |         |     |       |

|       |      |    |    |              |              |        |       |            |         |     |         |
|-------|------|----|----|--------------|--------------|--------|-------|------------|---------|-----|---------|
| Model | Year | MG | SG | Illustration | Restrictions | Update | 11:49 | 25.11.2005 | PORSCHE | PET | PORSCHE |
| 996   | 05   | 9  | 04 | 904-21       |              | 194    |       |            |         |     |         |



| Pos               | Part Number    | Name                     | Remarks | Qty | Model |
|-------------------|----------------|--------------------------|---------|-----|-------|
|                   |                | headlight washer system  | 02-     |     | M 288 |
| 1                 | 996 624 502 00 | pump                     |         | 1   |       |
| 2                 | 993 628 213 00 | spacer                   |         | 1   |       |
| 3                 | 928 628 193 00 | gasket without strainer  |         | 1   |       |
| (3)               | 996 628 393 00 | gasket with strainer     |         | 1   |       |
| -                 | 999 181 750 40 | hose 10 X 3              |         | *   |       |
| 4                 | -              | 1020 MM                  |         | 1   |       |
| 5                 | 996 628 204 00 | quick-connecting lock    |         | 1   |       |
| 6                 | 999 512 673 00 | hose clamp               |         | 2   |       |
| 7                 | 996 628 160 00 | distributing piece       |         | 1   |       |
| 8                 | 999 919 017 02 | oval-head screw 4,0 X 16 |         | 3   |       |
| 9                 | 996 628 135 00 | pipeline                 | /L      | 1   |       |
| 10                | 996 628 136 01 | pipeline                 | /R      | 1   |       |
| 11                | 996 628 110 00 | support                  |         | 2   |       |
| 12                | 996 628 161 00 | jet carrier              | /L      | 1   |       |
| (12)              | 996 628 162 00 | jet carrier              | /R      | 1   |       |
| 13                | 996 631 116 00 | guide pin                |         | 2   |       |
| 14                | 996 628 143 00 | trim with nozzle         | /L      | 1   |       |
| (14)              | 996 628 144 00 | trim with nozzle         | /R      | 1   |       |
| - - - E N D - - - |                |                          |         |     |       |

|       |      |    |    |              |              |        |       |            |         |     |         |
|-------|------|----|----|--------------|--------------|--------|-------|------------|---------|-----|---------|
| Model | Year | MG | SG | Illustration | Restrictions | Update | 11:50 | 25.11.2005 | PORSCHE | PET | PORSCHE |
| 996   | 05   | 9  | 05 | 905-00       |              | 194    |       |            |         |     |         |



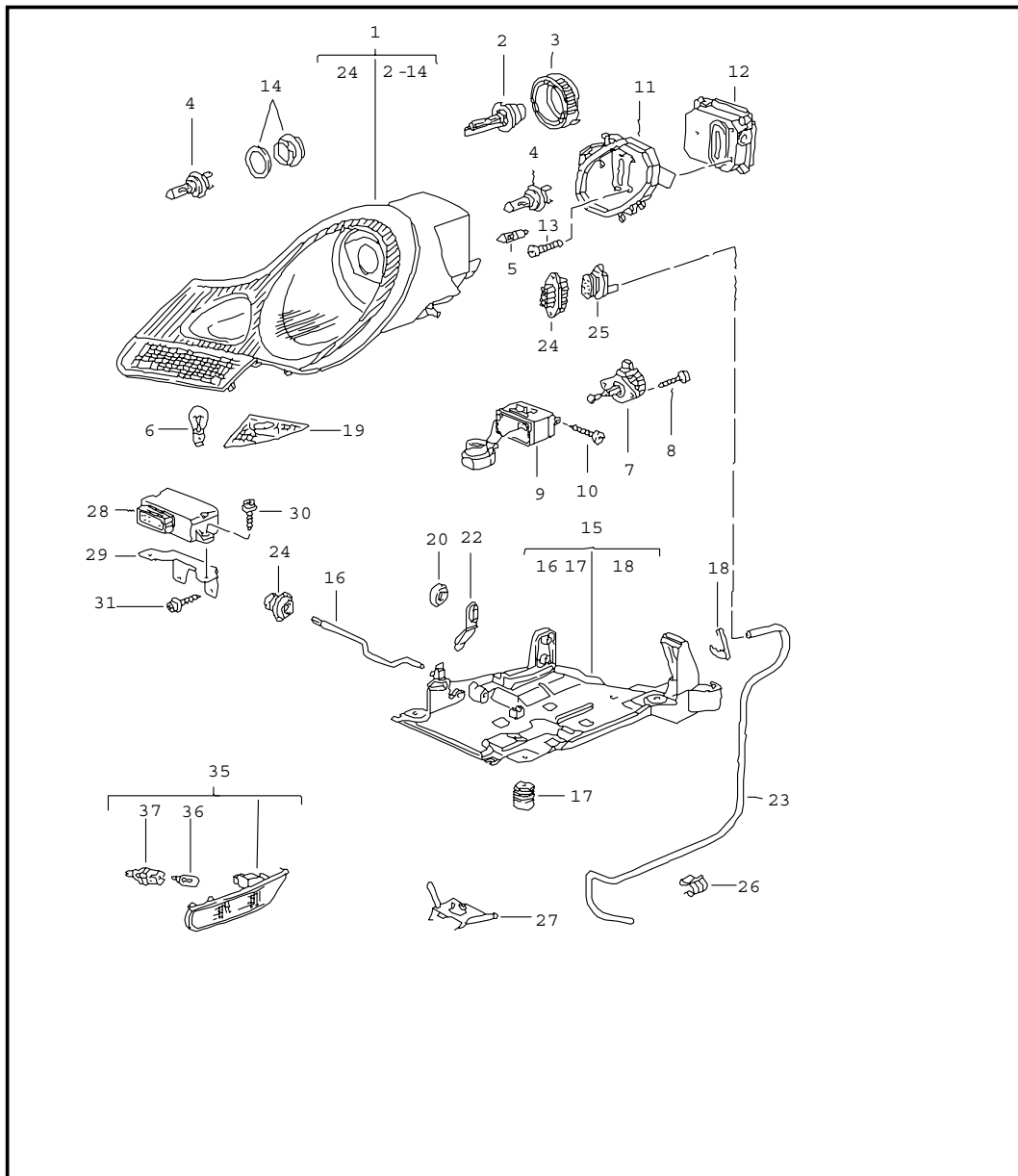
| Pos | Part Number    | Name  | Remarks | Qty | Model     |
|-----|----------------|---|---------|-----|-----------|
|     |                | headlamp<br>side turn signal  | -01     |     |           |
|     |                | headlamp<br>with<br>headlight levelling system  |         |     |           |
| 1   | 996 631 153 04 | headlamp  | /L 98   | 1   |           |
| 1   | 996 631 154 04 | headlamp  | /R 98   | 1   |           |
| 1   | 996 631 153 08 | headlamp  | /L 98   | 1   | M 492     |
| 1   | 996 631 154 08 | headlamp  | /R 98   | 1   | M 492     |
| 1   | 996 631 153 12 | headlamp  | /L 98   | 1   | M 492 (J) |
| 1   | 996 631 154 12 | headlamp  | /R 98   | 1   | M 492 (J) |
|     |                | headlamp<br>without<br>headlight levelling system   | 01      |     |           |
| (1) | 996 631 163 01 | headlamp  | /L 99-  | 1   |           |
| (1) | 996 631 164 01 | headlamp  | /R 99-  | 1   |           |
| (1) | 996 631 163 11 | headlamp  | /L 99-  | 1   | M 492     |
| (1) | 996 631 164 11 | headlamp<br>for cars up to<br>model year<br>00<br>with<br>headlight levelling system<br>when required order also:<br>993.624.209.00 | /R 99-  | 1   | M 492     |
| 2   | 999 631 133 90 | halogen bulb<br>H 7<br>white  |         | 6   |           |
| 3   | 999 631 032 90 | bulb<br>5 W   |         | 2   |           |
| 4   | 900 631 127 90 | bulb<br>21 W  |         | 2   |           |
| 5   | 993 624 209 00 | electric motor<br>headlight levelling system  | -00     | 2   |           |
| 6   | 996 631 231 00 | protective cap<br>headlamp  |         | 2   |           |
| 7   | 996 631 233 00 | protective cap<br>fog headlamp  |         | 2   |           |
| 9   | 996 631 041 00 | mounting  | /L      | 1   |           |

|       |      |    |    |              |              |        |       |            |         |     |         |
|-------|------|----|----|--------------|--------------|--------|-------|------------|---------|-----|---------|
| Model | Year | MG | SG | Illustration | Restrictions | Update | 11:50 | 25.11.2005 | PORSCHE | PET | PORSCHE |
| 996   | 05   | 9  | 05 | 905-00       |              | 194    |       |            |         |     |         |

| Pos  | Part Number    | Name   | Remarks | Qty | Model | Pos  | Part Number    | Name  | Remarks | Qty | Model |
|------|----------------|--|---------|-----|-------|------|----------------|---|---------|-----|-------|
| (9)  | 996 631 042 00 | mounting   | /R      | 1   |       | 22   | 996 631 693 00 | support<br>mount<br>front embellisher   |         | 1   |       |
| 10   | 996 631 243 00 | clamping bow                                       |         | 2   |       |      |                |   |         |     |       |
| 11   | 996 631 077 00 | fastening part                                     |         | 6   |       | 23   | 996 631 137 00 | set<br>cover foil<br>headlamp<br>for<br>left-hand traffic vehicles<br>in rh traffic countries<br>see tpi<br>GR.9 / NR. 15 |         | 1   |       |
| 12   | 996 631 245 00 | locking device<br>connector housing                | /L      | 1   |       |      |                |   |         |     |       |
| (12) | 996 631 246 00 | locking device<br>connector housing                | /R      | 1   |       |      |                |   |         |     |       |
| 13   | 996 631 035 00 | trim   | /L 98   | 1   |       | (23) | 996 631 138 00 | set<br>cover foil<br>headlamp<br>for<br>right-hand traffic vehic.<br>in lh traffic countries<br>see tpi<br>GR. 9 / NR. 15 |         | 1   |       |
| 13   | 996 631 045 00 | trim   | /L 99-  | 1   |       |      |                |   |         |     |       |
| (13) | 996 631 036 00 | trim   | /R 98   | 1   |       |      |                |   |         |     |       |
| (13) | 996 631 046 00 | trim   | /R 99-  | 1   |       |      |                |   |         |     |       |
| 14   | 996 631 035 01 | trim   | /L 98   | 1   | M 288 |      |                |   |         |     |       |
| 14   | 996 631 045 01 | trim   | /L 99-  | 1   | M 288 |      |                |   |         |     |       |
| (14) | 996 631 036 01 | trim   | /R 98   | 1   | M 288 | 25   | 996 631 033 01 | side turn signal  | /L 98   | 1   |       |
| (14) | 996 631 046 01 | trim   | /R 99-  | 1   | M 288 | 25   | 996 631 043 01 | side turn signal  | /L 99-  | 1   |       |
| 15   | 803 803 583 A  | cover  |         | 2   |       | (25) | 996 631 034 01 | side turn signal  | /R 98   | 1   |       |
| 16   | 999 703 413 40 | plug   |         | 2   |       | (25) | 996 631 044 01 | side turn signal  | /R 99-  | 1   |       |
| 17   | 993 631 170 03 | plug   |         | 6   |       | -    | 999 652 838 40 | plug socket   |         | 2   |       |
| 18   | 996 631 641 03 | breather pipe                                      | /L      | 1   |       | -    | 999 652 771 12 | connector   |         | 4   |       |
| (18) | 996 631 642 03 | breather pipe                                      | /R      | 1   |       | -    | 999 704 161 40 | gasket  |         | 4   |       |
| 19   | 999 652 832 40 | connector housing<br>headlamp                      |         | 2   |       | 26   | 999 631 032 90 | bulb<br>5 W<br>white  |         | 2   |       |
| 20   | 999 650 150 40 | connector housing<br>wiring harness                |         | 2   |       | 26   | 999 631 138 90 | bulb<br>5 W<br>yellow   | 99-     | 2   |       |
| -    | 999 652 744 20 | connector  |         | 16  |       |      |                |   |         |     |       |
| -    | 999 704 161 40 | gasket   |         | 16  |       | 27   | 996 631 133 00 | bulb holder<br>for<br>bulb<br>white   |         | 2   |       |
| 21   | 999 651 317 09 | clamp<br>breather pipe                             |         | X   |       |      |                |   |         |     |       |
| (21) | 999 651 276 40 | cable holder<br>breather pipe<br>wing strut        |         | X   |       | (27) | 996 631 133 01 | bulb holder<br>for<br>bulb<br>yellow  |         | 2   |       |
| (21) | 999 651 282 40 | cable holder<br>breather pipe<br>front embellisher |         | X   |       |      |                |   |         |     |       |

- - - E N D - - -

|       |      |    |    |              |              |        |       |            |         |     |         |
|-------|------|----|----|--------------|--------------|--------|-------|------------|---------|-----|---------|
| Model | Year | MG | SG | Illustration | Restrictions | Update | 11:50 | 25.11.2005 | PORSCHE | PET | PORSCHE |
| 996   | 05   | 9  | 05 | 905-01       |              | 194    |       |            |         |     |         |



| Pos  | Part Number    | Name   | Remarks | Qty | Model |
|------|----------------|--|---------|-----|-------|
|      |                | headlamp<br>side turn signal                 | -01     |     | M 601 |
| 1    | 996 631 157 01 | headlamp                                     | /L      | 1   |       |
| 1    | 996 631 158 01 | headlamp                                     | /R      | 1   |       |
| 1    | 996 631 157 04 | headlamp                                     | /L      | 1   | M 492 |
| 1    | 996 631 158 04 | headlamp                                     | /R      | 1   | M 492 |
| 2    | 999 631 036 90 | bulb<br>- PHILIPS -                          |         | 2   |       |
| 3    | 996 631 189 00 | retainer                                     |         | 2   |       |
| 4    | 999 631 133 90 | halogen bulb<br>H 7                          |         | 4   |       |
| 5    | 999 631 140 90 | bulb<br>H 6 W<br>position light              |         | 2   |       |
| 6    | 900 631 127 90 | bulb<br>21 W<br>direction indicator light    |         | 2   |       |
| 7    | 996 631 125 00 | electric motor<br>headlight levelling system |         | 2   |       |
| 8    | 996 631 199 00 | screw<br>3,9 X 16                            |         | 4   |       |
| 9    | 996 631 195 01 | ignition control unit                        |         | 2   |       |
| 10   | 996 631 199 00 | screw<br>3,9 X 16                            |         | 4   |       |
| 11   | 996 631 241 01 | protective cap<br>headlamp                   | /L      | 1   |       |
| (11) | 996 631 242 01 | protective cap<br>headlamp                   | /R      | 1   |       |
| 12   | 993 631 193 02 | control unit                                 |         | 2   |       |
| 13   | 900 146 123 02 | screw<br>M 5 X 16                            |         | 6   |       |
| 14   | 996 631 233 00 | protective cap<br>fog headlamp               |         | 2   |       |
| 15   | 996 631 041 00 | mounting                                     | /L      | 1   |       |
| (15) | 996 631 042 00 | mounting                                     | /R      | 1   |       |
| 16   | 996 631 243 00 | clamping bow                                 |         | 2   |       |

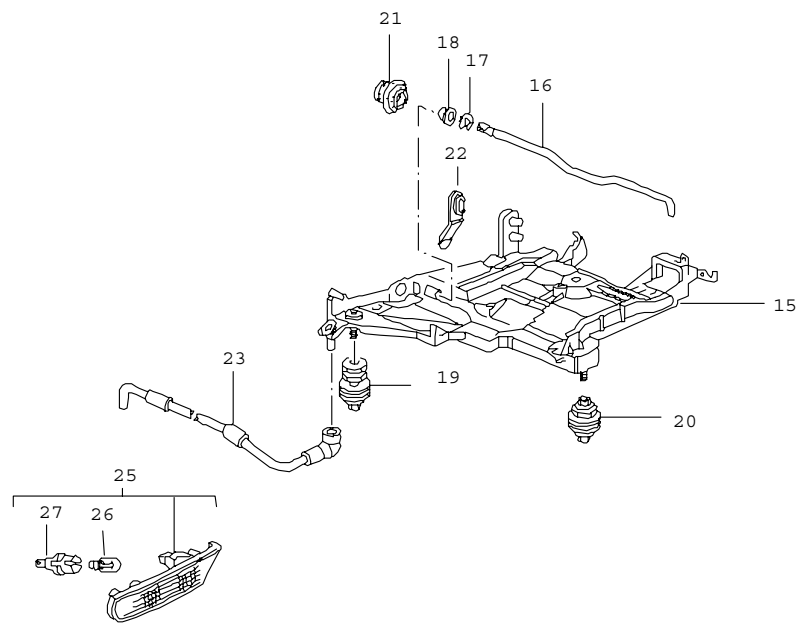
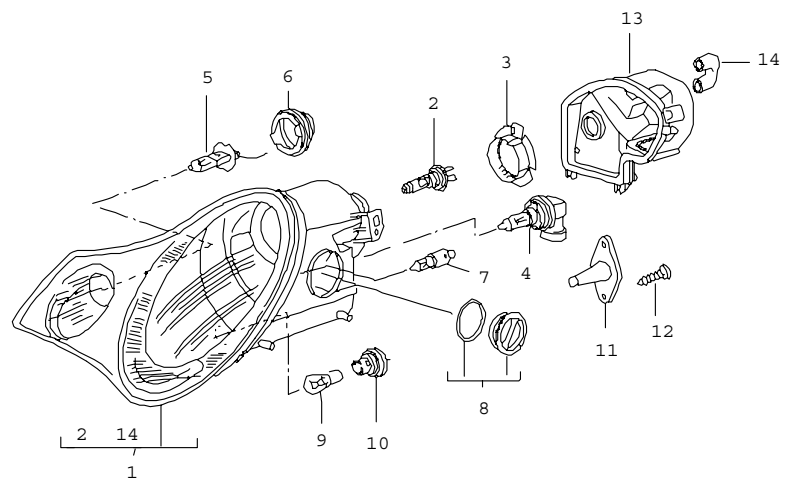
|       |      |    |    |              |              |        |       |            |         |     |         |
|-------|------|----|----|--------------|--------------|--------|-------|------------|---------|-----|---------|
| Model | Year | MG | SG | Illustration | Restrictions | Update | 11:50 | 25.11.2005 | PORSCHE | PET | PORSCHE |
| 996   | 05   | 9  | 05 | 905-01       |              | 194    |       |            |         |     |         |

| Pos  | Part Number    | Name   | Remarks | Qty | Model | Pos  | Part Number    | Name  | Remarks  | Qty | Model |
|------|----------------|--|---------|-----|-------|------|----------------|---|----------|-----|-------|
| 17   | 996 631 077 00 | fastening part                                     |         | 6   |       | 30   | 900 143 157 07 | screw<br>BZ 4,2 X 13 Z2   |          | 2   |       |
| 18   | 996 631 245 00 | locking device<br>connector housing                | /L      | 1   |       | 31   | 999 073 169 07 | tapping screw<br>ST 4,8 X 16  |          | 2   |       |
| (18) | 996 631 246 00 | locking device<br>connector housing                | /R      | 1   |       |      |                | sensor<br>headlight levelling system<br>see group<br>4/01/00<br>5/01/01 | /V<br>/H |     |       |
| 19   | 996 631 045 01 | trim   | /L      | 1   |       |      |                | side turn signal  |          |     |       |
| (19) | 996 631 046 01 | trim   | /R      | 1   |       |      |                | side turn signal  | /L       | 1   |       |
| 20   | 803 803 583 A  | cover  |         | 2   |       |      |                | side turn signal  | /R       | 1   |       |
| 21   | 999 703 413 40 | plug   |         | 2   |       | 35   | 996 631 043 01 | side turn signal  |          |     |       |
| 22   | 993 631 170 03 | plug   |         | 6   |       | (35) | 996 631 044 01 | side turn signal  |          |     |       |
| 23   | 996 631 641 03 | breather pipe                                      | /L      | 1   |       | -    | 999 652 838 40 | plug socket   |          | 2   |       |
| (23) | 996 631 642 03 | breather pipe                                      | /R      | 1   |       | -    | 999 652 771 12 | connector   |          | 4   |       |
| 24   | 999 652 832 40 | connector housing<br>headlamp                      |         | 2   |       | -    | 999 704 161 40 | gasket  |          | 4   |       |
| 25   | 999 650 150 40 | connector housing<br>wiring harness                |         | 2   |       | 36   | 999 631 138 90 | bulb<br>5 W<br>yellow   |          | 2   |       |
| -    | 999 652 744 20 | connector  |         | 16  |       | (37) | 996 631 133 01 | bulb holder<br>for<br>bulb<br>yellow                                    |          | 2   |       |
| -    | 999 704 161 40 | gasket   |         | 16  |       |      |                | - - - E N D - - -   |          |     |       |
| 26   | 999 651 317 09 | clamp<br>breather pipe                             |         | X   |       |      |                |   |          |     |       |
| (26) | 999 651 276 40 | cable holder<br>breather pipe<br>wing strut        |         | X   |       |      |                |   |          |     |       |
| (26) | 999 651 282 40 | cable holder<br>breather pipe<br>front embellisher |         | X   |       |      |                |   |          |     |       |
| 27   | 996 631 693 00 | support<br>mount<br>front embellisher              |         | 1   |       |      |                |   |          |     |       |
| 28   | 996 618 151 15 | control unit<br>headlight levelling system         |         | 1   |       |      |                |   |          |     |       |
| 29   | 996 618 155 00 | support<br>F >>991S6 05390<br>F >>991S6 43853      |         | 1   |       |      |                |   |          |     |       |
| 29   | 996 618 155 13 | support<br>F 991S6 05391>><br>F 991S6 43854>>      |         | 1   |       |      |                |   |          |     |       |



|       |      |    |    |              |              |        |       |            |         |     |         |
|-------|------|----|----|--------------|--------------|--------|-------|------------|---------|-----|---------|
| Model | Year | MG | SG | Illustration | Restrictions | Update | 11:50 | 25.11.2005 | PORSCHE | PET | PORSCHE |
| 996   | 05   | 9  | 05 | 905-02       |              | 194    |       |            |         |     |         |

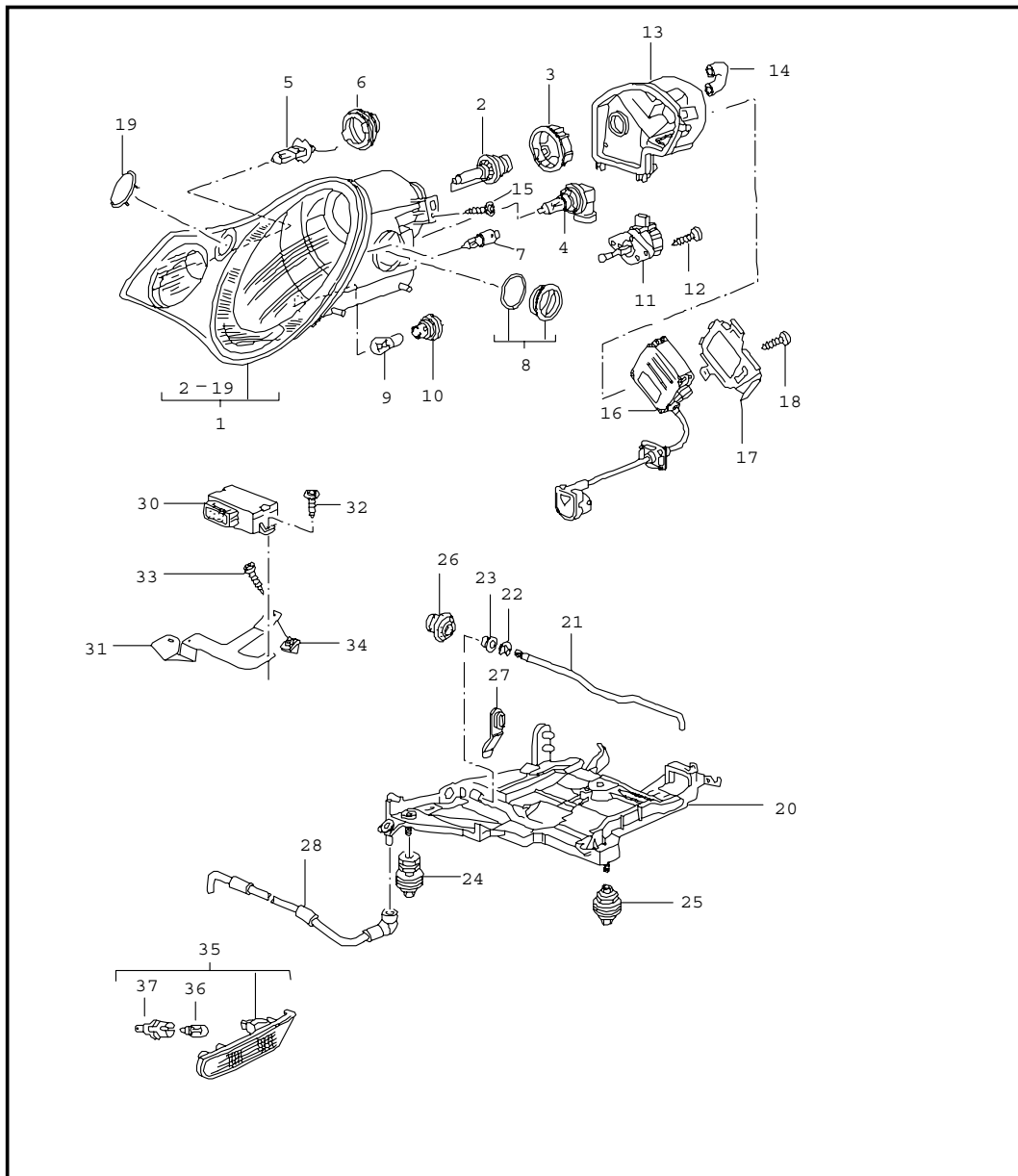
| Pos  | Part Number    | Name  | Remarks | Qty | Model |
|------|----------------|---|---------|-----|-------|
|      |                | headlamp<br>side turn signal                        | 02-     |     |       |
| 1    | 996 631 055 50 | headlamp  | /L      | 1   |       |
| 1    | 996 631 056 50 | headlamp  | /R      | 1   |       |
| 1    | 996 631 065 50 | headlamp  | /L      | 1   | M 492 |
| 1    | 996 631 066 50 | headlamp  | /R      | 1   | M 492 |
| 2    | 999 631 133 90 | halogen bulb<br>H 7                                 |         | 2   |       |
| 3    | 996 631 128 00 | bulb holder   |         | 2   |       |
| 4    | 999 631 143 90 | halogen bulb<br>H 9                                 |         | 2   |       |
| 5    | 900 631 126 90 | halogen bulb<br>H 3                                 |         | 2   |       |
| 6    | 996 631 123 00 | protective cap<br>fog headlamp                      |         | 2   |       |
| 7    | 999 631 140 90 | bulb<br>H 6 W<br>position light                     |         | 2   |       |
| 8    | 996 631 134 00 | protective cap<br>position light                    |         | 2   |       |
| 9    | 900 631 131 90 | bulb<br>21 W<br>yellow<br>direction indicator light |         | 2   |       |
| 10   | 996 631 118 00 | bulb holder<br>direction indicator light            |         | 2   |       |
| 11   | 996 631 114 00 | bearing bracket                                     |         | 2   |       |
| 12   | 999 919 093 02 | oval-head screw<br>4,0 X 10                         |         | 4   |       |
| 13   | 996 631 101 50 | protective cap<br>headlamp                          | /L      | 1   |       |
| (13) | 996 631 102 50 | protective cap<br>headlamp                          | /R      | 1   |       |
| 14   | 996 631 120 00 | breather adapter                                    |         | 2   |       |
| 15   | 996 631 173 00 | mounting  | /L      | 1   |       |
| (15) | 996 631 174 00 | mounting  | /R      | 1   |       |
| 16   | 996 631 273 00 | clamping bow  |         | 2   |       |



|       |      |    |    |              |              |        |       |            |         |     |         |
|-------|------|----|----|--------------|--------------|--------|-------|------------|---------|-----|---------|
| Model | Year | MG | SG | Illustration | Restrictions | Update | 11:50 | 25.11.2005 | PORSCHE | PET | PORSCHE |
| 996   | 05   | 9  | 05 | 905-02       |              | 194    |       |            |         |     |         |

| Pos  | Part Number    | Name  | Remarks | Qty | Model | Pos | Part Number | Name | Remarks | Qty | Model |
|------|----------------|---|---------|-----|-------|-----|-------------|------|---------|-----|-------|
| 17   | 900 116 004 09 | lock washer   |         | 2   |       |     |             |      |         |     |       |
| 18   | 996 631 272 00 | bearing sleeve  |         | 2   |       |     |             |      |         |     |       |
| 19   | 996 631 079 00 | fastening part  |         | 4   |       |     |             |      |         |     |       |
| 20   | 996 631 078 00 | fastening part  |         | 2   |       |     |             |      |         |     |       |
| 21   | 999 703 413 40 | plug  |         | 2   |       |     |             |      |         |     |       |
| 22   | 993 631 170 03 | plug  |         | 6   |       |     |             |      |         |     |       |
| -    | 996 631 140 00 | sealing washer<br>ventilation pipe                                    |         | 2   |       |     |             |      |         |     |       |
| (23) | 996 631 149 00 | ventilation component<br>see technical information<br>GR.9 , NR. 7/02 |         | 2   |       |     |             |      |         |     |       |
|      |                | side turn signal  |         |     |       |     |             |      |         |     |       |
| 25   | 996 631 043 01 | side turn signal  | /L      | 1   |       |     |             |      |         |     |       |
| (25) | 996 631 044 01 | side turn signal  | /R      | 1   |       |     |             |      |         |     |       |
| 26   | 999 631 138 90 | bulb<br>5 W<br>yellow   |         | 2   |       |     |             |      |         |     |       |
| (27) | 996 631 133 01 | bulb holder   |         | 2   |       |     |             |      |         |     |       |
|      |                | - - - E N D - - -   |         |     |       |     |             |      |         |     |       |

|       |      |    |    |              |              |        |       |            |         |     |         |
|-------|------|----|----|--------------|--------------|--------|-------|------------|---------|-----|---------|
| Model | Year | MG | SG | Illustration | Restrictions | Update | 11:50 | 25.11.2005 | PORSCHE | PET | PORSCHE |
| 996   | 05   | 9  | 05 | 905-03       |              | 194    |       |            |         |     |         |

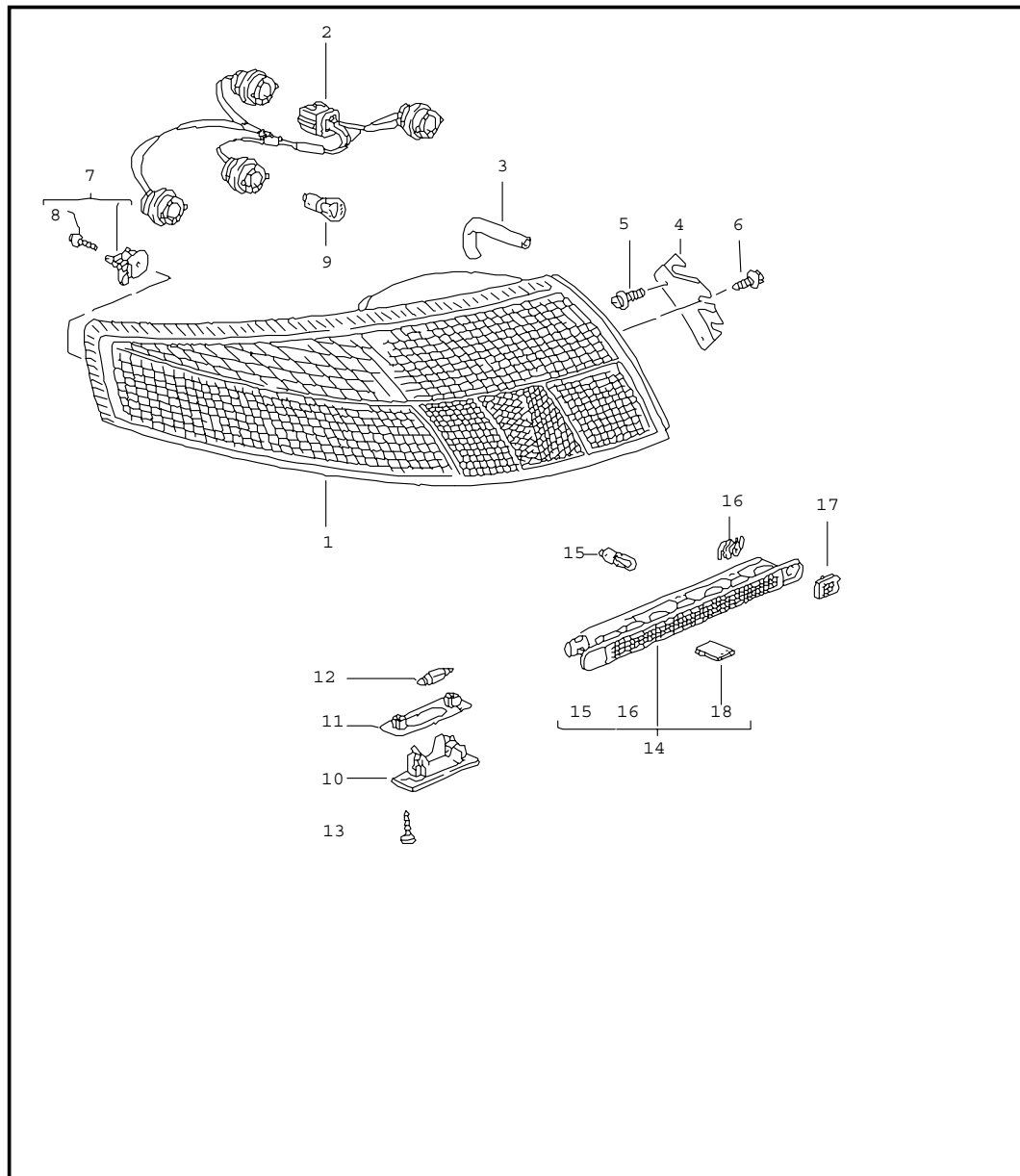


| Pos  | Part Number    | Name  | Remarks | Qty | Model |
|------|----------------|---|---------|-----|-------|
|      |                | headlamp<br>side turn signal                        | 02-     |     | M 601 |
| 1    | 996 631 055 20 | headlamp  | /L      | 1   |       |
| 1    | 996 631 056 20 | headlamp  | /R      | 1   |       |
| 1    | 996 631 065 20 | headlamp  | /L      | 1   | M 492 |
| 1    | 996 631 066 20 | headlamp  | /R      | 1   | M 492 |
| 2    | 999 631 036 90 | bulb<br>- PHILIPS -                                 |         | 2   |       |
| 3    | 996 631 179 00 | retainer  |         | 2   |       |
| 4    | 999 631 144 90 | halogen bulb<br>H 11                                |         | 2   |       |
| 5    | 900 631 126 90 | halogen bulb<br>H 3                                 |         | 2   |       |
| 6    | 996 631 123 00 | protective cap<br>fog headlamp                      |         | 2   |       |
| 7    | 999 631 140 90 | bulb<br>H 6 W<br>position light                     |         | 2   |       |
| 8    | 996 631 134 00 | protective cap<br>position light                    |         | 2   |       |
| 9    | 900 631 131 90 | bulb<br>21 W<br>yellow<br>direction indicator light |         | 2   |       |
| 10   | 996 631 118 00 | bulb holder<br>direction indicator light            |         | 2   |       |
| 11   | 996 631 135 00 | electric motor<br>headlight levelling system        |         | 2   |       |
| 12   | 999 919 093 02 | oval-head screw<br>4,0 X 10                         |         | 4   |       |
| 13   | 996 631 101 10 | protective cap<br>headlamp                          | /L      | 1   |       |
| (13) | 996 631 102 10 | protective cap<br>headlamp                          | /R      | 1   |       |
| 14   | 996 631 120 00 | breather adapter                                    |         | 2   |       |
| 15   | 999 919 050 02 | oval-head screw<br>4,0 X 12                         |         | 4   |       |
| 16   | 996 631 183 00 | control unit  |         | 2   |       |

|       |      |    |    |              |              |        |       |            |         |     |         |
|-------|------|----|----|--------------|--------------|--------|-------|------------|---------|-----|---------|
| Model | Year | MG | SG | Illustration | Restrictions | Update | 11:50 | 25.11.2005 | PORSCHE | PET | PORSCHE |
| 996   | 05   | 9  | 05 | 905-03       |              | 194    |       |            |         |     |         |

| Pos  | Part Number    | Name   | Remarks  | Qty | Model | Pos  | Part Number    | Name                  | Remarks | Qty | Model |
|------|----------------|--|----------|-----|-------|------|----------------|-----------------------|---------|-----|-------|
| 17   | 996 631 161 00 | support  | /L       | 1   |       |      |                | side turn signal      |         |     |       |
| (17) | 996 631 162 00 | support  | /R       | 1   |       | 35   | 996 631 043 01 | side turn signal      | /L      | 1   |       |
| 18   | 999 919 017 02 | oval-head screw<br>4,0 X 16  |          | 2   |       | (35) | 996 631 044 01 | side turn signal      | /R      | 1   |       |
| 19   | -              | trim<br>and<br>nozzle<br>headlight washer system<br>see group<br>9/04/21 |          |     |       | 36   | 999 631 138 90 | bulb<br>5 W<br>yellow |         | 2   |       |
|      |                |  |          |     |       | (37) | 996 631 133 01 | bulb holder           |         | 2   |       |
|      |                |  |          |     |       |      |                | - - - E N D - - -     |         |     |       |
| 20   | 996 631 173 00 | mounting   | /L       | 1   |       |      |                |                       |         |     |       |
| (20) | 996 631 174 00 | mounting   | /R       | 1   |       |      |                |                       |         |     |       |
| 21   | 996 631 273 00 | clamping bow   |          | 2   |       |      |                |                       |         |     |       |
| 22   | 900 116 004 09 | lock washer  |          | 2   |       |      |                |                       |         |     |       |
| 23   | 996 631 272 00 | bearing sleeve   |          | 2   |       |      |                |                       |         |     |       |
| 24   | 996 631 079 00 | fastening part   |          | 4   |       |      |                |                       |         |     |       |
| 25   | 996 631 078 00 | fastening part   |          | 2   |       |      |                |                       |         |     |       |
| 26   | 999 703 413 40 | plug   |          | 2   |       |      |                |                       |         |     |       |
| 27   | 993 631 170 03 | plug   |          | 6   |       |      |                |                       |         |     |       |
| -    | 996 631 140 00 | sealing washer<br>ventilation pipe                                       |          | 2   |       |      |                |                       |         |     |       |
| (28) | 996 631 149 00 | ventilation component<br>see technical information<br>GR.9 , NR. 7/02    |          | 2   |       |      |                |                       |         |     |       |
| 30   | 996 618 151 15 | control unit<br>headlight levelling system                               |          | 1   |       |      |                |                       |         |     |       |
| 31   | 996 618 155 10 | support  |          | 1   |       |      |                |                       |         |     |       |
| 32   | 900 143 157 07 | screw<br>BZ 4,2 X 13 Z2  |          | 2   |       |      |                |                       |         |     |       |
| 33   | 999 073 196 09 | tapping screw<br>ST 4,8 X 9,5  |          | 1   |       |      |                |                       |         |     |       |
| 34   | 999 591 855 02 | speed nut<br>4,8   |          | 1   |       |      |                |                       |         |     |       |
|      |                | sensor<br>headlight levelling system<br>see group<br>4/01/00<br>5/01/01  | /V<br>/H |     |       |      |                |                       |         |     |       |

|       |      |    |    |              |              |        |       |            |         |     |         |
|-------|------|----|----|--------------|--------------|--------|-------|------------|---------|-----|---------|
| Model | Year | MG | SG | Illustration | Restrictions | Update | 11:50 | 25.11.2005 | PORSCHE | PET | PORSCHE |
| 996   | 05   | 9  | 05 | 905-05       |              | 194    |       |            |         |     |         |

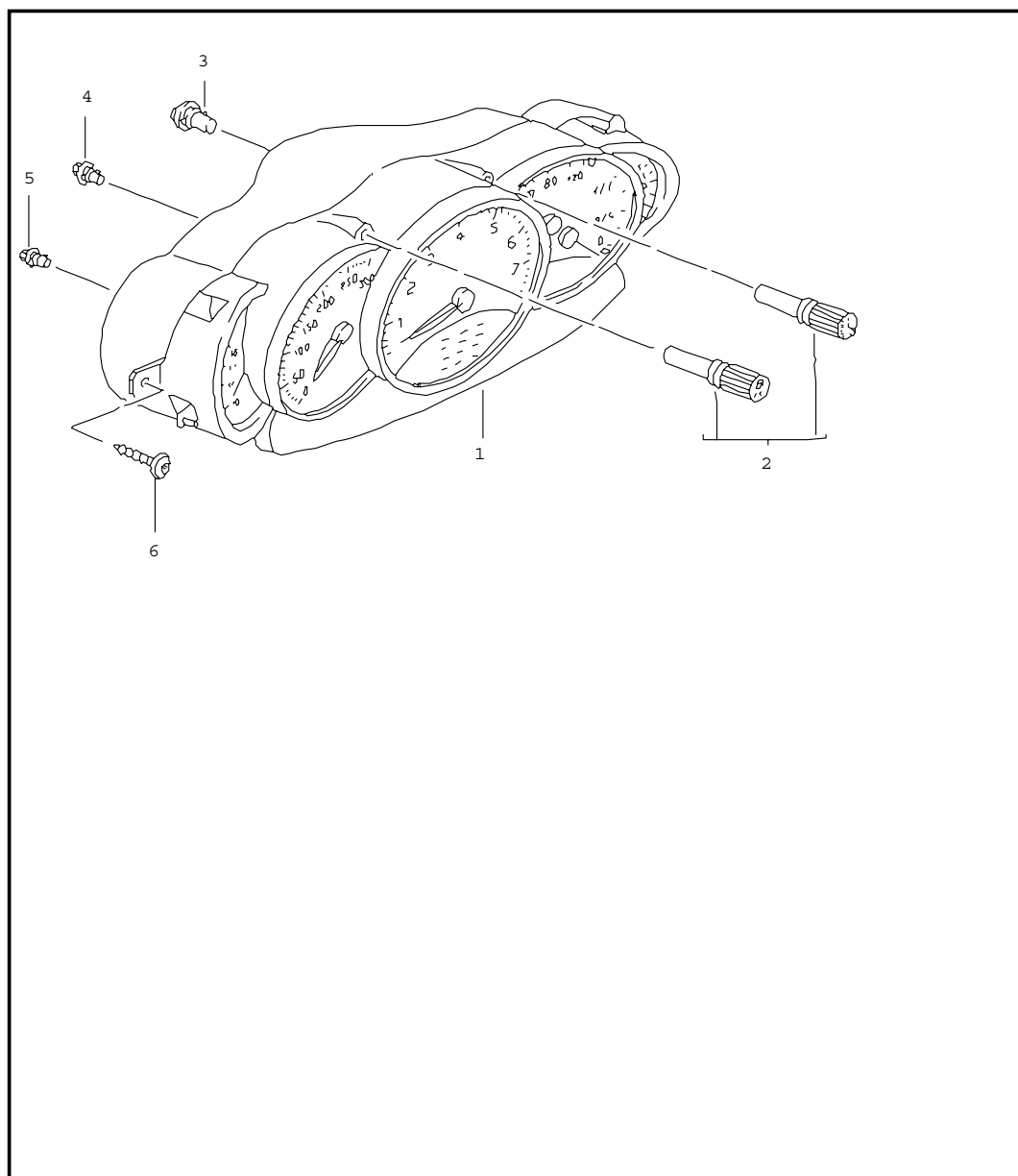


| Pos | Part Number    | Name   | Remarks | Qty | Model       |
|-----|----------------|--|---------|-----|-------------|
|     |                | rear light<br>license plate light<br>additional stoplamp |         |     | M 602       |
| 1   | 996 631 433 01 | rear light housing                                       | /L 98   | 1   | CARRERA     |
| 1   | 996 631 485 00 | rear light housing                                       | /L 99-  | 1   | CARRERA     |
| (1) | 996 631 487 00 | rear light housing                                       | /L 02-  | 1   | CARRERA 4 S |
| (1) | 996 631 434 01 | rear light housing                                       | /R 98   | 1   | CARRERA     |
| (1) | 996 631 486 00 | rear light housing                                       | /R 99-  | 1   | CARRERA     |
| (1) | 996 631 488 00 | rear light housing                                       | /R 02-  | 1   | CARRERA 4 S |
| 2   | 996 631 435 00 | wiring harness   | 98      | 2   | CARRERA     |
| 2   | 996 631 436 00 | wiring harness   | 99-     | 2   | CARRERA     |
| (2) | 996 631 437 00 | wiring harness   | 02-     | 2   | CARRERA 4 S |
| (3) | 996 631 451 01 | connection piece   |         | 4   |             |
| 4   | 996 631 463 02 | support  | /L      | 1   | CARRERA     |
| (4) | 996 631 465 01 | support  | /L 02-  | 1   | CARRERA 4 S |
| (4) | 996 631 464 02 | support  | /R      | 1   | CARRERA     |
| (4) | 996 631 466 01 | support  | /R 02-  | 1   | CARRERA 4 S |
| 5   | 999 074 113 02 | screw<br>M 5 X 18  |         | 4   |             |
| 6   | 999 074 115 09 | hexagon-head bolt<br>M 6 X 16                            |         | 2   | CARRERA     |
| 6   | 999 073 250 09 | oval-head screw<br>M 5 X 15                              | 02-     | 4   | CARRERA 4 S |
| 7   | 996 631 471 00 | mounting   |         | 2   |             |
| 8   | 999 919 121 09 | screw  |         | 2   |             |
| 9   | 900 631 127 90 | bulb<br>21 W<br>white                                    |         | X   |             |
| 9   | 900 631 131 90 | bulb<br>21 W<br>yellow                                   | 99-     | X   |             |
| (9) | 900 631 128 90 | bulb<br>21/5 W   |         | X   |             |
| (9) | 900 631 104 90 | bulb<br>5 W  | 02-     | X   | CARRERA 4 S |

|       |      |    |    |              |              |        |       |            |         |     |         |
|-------|------|----|----|--------------|--------------|--------|-------|------------|---------|-----|---------|
| Model | Year | MG | SG | Illustration | Restrictions | Update | 11:50 | 25.11.2005 | PORSCHE | PET | PORSCHE |
| 996   | 05   | 9  | 05 | 905-05       |              | 194    |       |            |         |     |         |

| Pos    | Part Number    | Name                      | Remarks    | Qty | Model                  | Pos | Part Number | Name | Remarks | Qty | Model |
|--------|----------------|---------------------------|------------|-----|------------------------|-----|-------------|------|---------|-----|-------|
| 10     | 964 631 620 00 | license plate light       | -01        | 2   | CARRERA                |     |             |      |         |     |       |
|        | 01C            | black                     |            |     |                        |     |             |      |         |     |       |
| (10) A | 1J6 943 021    | license plate light       | 02-        | 2   | CARRERA                |     |             |      |         |     |       |
| (10)   | 1J6 943 021 B  | license plate light       | 02-        | 2   | CARRERA                |     |             |      |         |     |       |
| 10     | 964 631 620 00 | license plate light       | 02-        | 2   | CARRERA 4 S            |     |             |      |         |     |       |
|        | 01C            | black                     |            |     |                        |     |             |      |         |     |       |
| 11     | 993 631 166 00 | desk pad                  | -01<br>02- | 2   | CARRERA<br>CARRERA 4 S |     |             |      |         |     |       |
| 12     | 900 631 105 90 | bulb<br>12V 5W            |            | 2   |                        |     |             |      |         |     |       |
| 13     | 900 143 085 07 | tapping screw<br>4,2 X 16 | -01<br>02- | 4   | CARRERA<br>CARRERA 4 S |     |             |      |         |     |       |
| 14     | 996 631 050 00 | additional stoplamp       |            | 2   | M 602                  |     |             |      |         |     |       |
| 15     | 900 631 019 90 | bulb<br>3 W               |            | X   | M 602                  |     |             |      |         |     |       |
| 16     | 996 631 168 00 | fastening part            |            | 2   | M 602                  |     |             |      |         |     |       |
| 17     | 996 631 165 00 | cap                       |            | 2   | M 602                  |     |             |      |         |     |       |
| 18     | 996 631 105 00 | desk pad                  |            | 2   | M 602                  |     |             |      |         |     |       |
|        |                | - - - E N D - - -         |            |     |                        |     |             |      |         |     |       |

|       |      |    |    |              |              |        |       |            |         |     |         |
|-------|------|----|----|--------------|--------------|--------|-------|------------|---------|-----|---------|
| Model | Year | MG | SG | Illustration | Restrictions | Update | 11:50 | 25.11.2005 | PORSCHE | PET | PORSCHE |
| 996   | 05   | 9  | 06 | 906-01       |              | 194    |       |            |         |     |         |

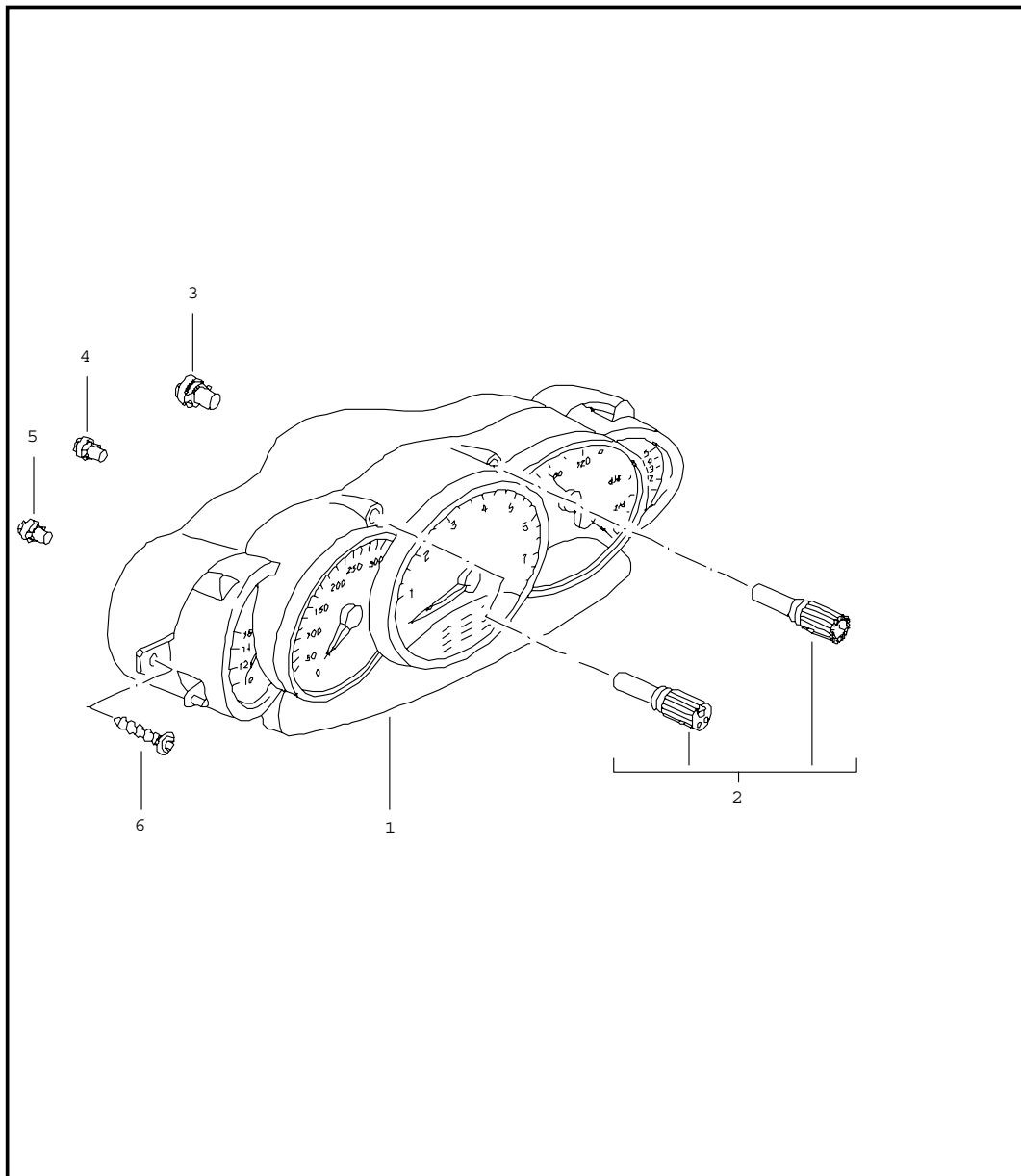


| Pos | Part Number    | Name  | Remarks | Qty | Model            |
|-----|----------------|---|---------|-----|------------------|
|     |                | instruments complete  |         |     |                  |
|     |                | electronic mail GR.9 , NR. 17/98  |         |     |                  |
|     |                | instruments X45/X71 see group 9/06/02                                     | 01-     |     |                  |
|     |                | instrument cluster C A R R E R A 2  | -01     |     | M 338            |
| (1) | 996 641 105 01 | instrument cluster complete   | -99     | 1   | M 338/M 480      |
|     | 70C            | rally black   |         |     |                  |
| (1) | 996 641 106 01 | instrument cluster complete   | -99     | 1   | M 338/M 249      |
|     | 70C            | rally black   |         |     |                  |
| 1   | 996 641 105 02 | instrument cluster complete   | 00-01   | 1   | M 338/M 480      |
|     | 70C            | rally black electronic mail GR.9 , NR. 3/00 + 3A/00 see tpi GR.9 , NR. 20 | 01      |     |                  |
| (1) | 996 641 106 02 | instrument cluster complete   | 00-01   | 1   | M 338/M 249      |
|     | 70C            | rally black electronic mail GR.9 , NR. 3/00 + 3A/00 see tpi GR.9 , NR. 20 | 01      |     |                  |
| (1) | 996 641 107 01 | instrument cluster complete   | -99     | 1   | (GB) M 338/M 480 |
|     | 70C            | rally black   |         |     |                  |
| (1) | 996 641 108 01 | instrument cluster complete   | -99     | 1   | (GB) M 338/M 249 |
|     | 70C            | rally black   |         |     |                  |
| (1) | 996 641 107 02 | instrument cluster complete   | 00-01   | 1   | (GB) M 338/M 480 |





|       |      |    |    |              |              |        |       |            |         |     |         |
|-------|------|----|----|--------------|--------------|--------|-------|------------|---------|-----|---------|
| Model | Year | MG | SG | Illustration | Restrictions | Update | 11:51 | 25.11.2005 | PORSCHE | PET | PORSCHE |
| 996   | 05   | 9  | 06 | 906-02       |              | 194    |       |            |         |     |         |



| Pos | Part Number    | Name  | Remarks | Qty | Model            |
|-----|----------------|---|---------|-----|------------------|
|     |                | instruments complete                              | 01-     |     | X45/X71          |
|     |                | instrument cluster dial lacquered interior colour |         |     | X45              |
|     |                | C A R R E R A 2                                   | 01      |     | M 338            |
| 1   | 996 641 980 22 | instrument cluster complete                       | 01      | 1   | M 338/M 480      |
|     | J33            | nephrite green                                    |         |     |                  |
|     | C53            | graphite grey                                     |         |     |                  |
|     | S33            | savanna   |         |     |                  |
|     | G13            | metropole blue                                    |         |     |                  |
|     | M33            | boxster red                                       |         |     |                  |
|     | P13            | cinnamon brown                                    |         |     |                  |
|     | D12            | dark grey/natural                                 |         |     |                  |
|     | T12            | brown/natural                                     |         |     |                  |
| 1   | 996 641 980 24 | instrument cluster complete                       | 01      | 1   | (GB) M 338/M 480 |
|     | J33            | nephrite green                                    |         |     |                  |
|     | C53            | graphite grey                                     |         |     |                  |
|     | S33            | savanna   |         |     |                  |
|     | G13            | metropole blue                                    |         |     |                  |
|     | M33            | boxster red                                       |         |     |                  |
|     | P13            | cinnamon brown                                    |         |     |                  |
|     | D12            | dark grey/natural                                 |         |     |                  |
|     | T12            | brown/natural                                     |         |     |                  |
| 1   | 996 641 980 23 | instrument cluster complete                       | 01      | 1   | M 338/M 249      |
|     | J33            | nephrite green                                    |         |     |                  |
|     | C53            | graphite grey                                     |         |     |                  |
|     | S33            | savanna   |         |     |                  |

|       |      |    |    |              |              |        |       |            |         |     |         |
|-------|------|----|----|--------------|--------------|--------|-------|------------|---------|-----|---------|
| Model | Year | MG | SG | Illustration | Restrictions | Update | 11:51 | 25.11.2005 | PORSCHE | PET | PORSCHE |
| 996   | 05   | 9  | 06 | 906-02       |              | 194    |       |            |         |     |         |

| Pos | Part Number    | Name   | Remarks | Qty | Model                | Pos | Part Number    | Name   | Remarks | Qty | Model                |
|-----|----------------|--|---------|-----|----------------------|-----|----------------|--|---------|-----|----------------------|
|     | G13            | metropole blue                                 |         |     |                      |     | S33            | savanna  |         |     |                      |
|     | M33            | boxster red                                    |         |     |                      |     | G13            | metropole blue   |         |     |                      |
|     | P13            | cinnamon brown                                 |         |     |                      |     | M33            | boxster red  |         |     |                      |
|     | D12            | dark grey/natural                              |         |     |                      |     | P13            | cinnamon brown   |         |     |                      |
|     | T12            | brown/natural                                  |         |     |                      |     | D12            | dark grey/natural  |         |     |                      |
| 1   | 996 641 980 25 | instrument cluster complete                    | 01      | 1   | (GB) M 338/<br>M 249 | 1   | 996 641 982 43 | instrument cluster complete                              | 01      | 1   | M 339/M 249          |
|     | J33            | nephrite green                                 |         |     |                      |     | J33            | nephrite green   |         |     |                      |
|     | C53            | graphite grey                                  |         |     |                      |     | C53            | graphite grey  |         |     |                      |
|     | S33            | savanna  |         |     |                      |     | S33            | savanna  |         |     |                      |
|     | G13            | metropole blue                                 |         |     |                      |     | G13            | metropole blue   |         |     |                      |
|     | M33            | boxster red                                    |         |     |                      |     | M33            | boxster red  |         |     |                      |
|     | P13            | cinnamon brown                                 |         |     |                      |     | P13            | cinnamon brown   |         |     |                      |
|     | D12            | dark grey/natural                              |         |     |                      |     | D12            | dark grey/natural  |         |     |                      |
|     | T12            | brown/natural                                  |         |     |                      |     | T12            | brown/natural  |         |     |                      |
| 1   | 996 641 982 42 | C A R R E R A 4<br>instrument cluster complete | 01      | 1   | M 339<br>M 339/M 480 | 1   | 996 641 982 45 | instrument cluster complete                              | 01      | 1   | (GB) M 339/<br>M 249 |
|     | J33            | nephrite green                                 |         |     |                      |     | J33            | nephrite green   |         |     |                      |
|     | C53            | graphite grey                                  |         |     |                      |     | C53            | graphite grey  |         |     |                      |
|     | S33            | savanna  |         |     |                      |     | S33            | savanna  |         |     |                      |
|     | G13            | metropole blue                                 |         |     |                      |     | G13            | metropole blue   |         |     |                      |
|     | M33            | boxster red                                    |         |     |                      |     | M33            | boxster red  |         |     |                      |
|     | P13            | cinnamon brown                                 |         |     |                      |     | P13            | cinnamon brown   |         |     |                      |
|     | D12            | dark grey/natural                              |         |     |                      |     | D12            | dark grey/natural  |         |     |                      |
|     | T12            | brown/natural                                  |         |     |                      |     | T12            | brown/natural  |         |     |                      |
| 1   | 996 641 982 44 | instrument cluster complete                    | 01      | 1   | (GB) M 339/<br>M 480 | (1) | 996 641 981 25 | C A R R E R A 2 / 4 / 4 S<br>instrument cluster complete | 02-     |     | X45                  |
|     | J33            | nephrite green                                 |         |     |                      |     | J33            | nephrite green   | 02-     | 1   | M 480                |
|     | C53            | graphite grey                                  |         |     |                      |     |                |  |         |     |                      |

|       |      |    |    |              |              |        |       |            |         |     |         |
|-------|------|----|----|--------------|--------------|--------|-------|------------|---------|-----|---------|
| Model | Year | MG | SG | Illustration | Restrictions | Update | 11:51 | 25.11.2005 | PORSCHE | PET | PORSCHE |
| 996   | 05   | 9  | 06 | 906-02       |              | 194    |       |            |         |     |         |

| Pos | Part Number    | Name                        | Remarks | Qty | Model      | Pos | Part Number                                | Name | Remarks | Qty | Model            |
|-----|----------------|-----------------------------|---------|-----|------------|-----|--|------|---------|-----|------------------|
|     |                | C53 graphite grey           |         |     |            |     | S33 savanna                                |      |         |     |                  |
|     |                | S33 savanna                 |         |     |            |     | G13 metropole blue                         |      |         |     |                  |
|     |                | G13 metropole blue          |         |     |            |     | M33 boxster red                            |      |         |     |                  |
|     |                | M33 boxster red             |         |     |            |     | P13 cinnamon brown                         |      |         |     |                  |
|     |                | P13 cinnamon brown          |         |     |            |     | D12 dark grey/natural                      |      |         |     |                  |
|     |                | D12 dark grey/natural       |         |     |            |     | T12 brown/natural                          |      |         |     |                  |
|     |                | T12 brown/natural           |         |     |            |     | instrument cluster dial aluminium          |      |         |     | X71              |
| (1) | 996 641 981 27 | instrument cluster complete | 02-     | 1   | (GB) M 480 |     | C A R R E R A 2                            |      | 01      |     | M 338            |
|     |                | J33 nephrite green          |         |     |            | 1   | 996 641 980 28 instrument cluster complete |      | 01      | 1   | M 338/M 480      |
|     |                | C53 graphite grey           |         |     |            |     | 70C rally black                            |      |         |     |                  |
|     |                | S33 savanna                 |         |     |            |     | 996 641 980 30 instrument cluster complete |      | 01      | 1   | (GB) M 338/M 480 |
|     |                | G13 metropole blue          |         |     |            | 1   | 70C rally black                            |      |         |     |                  |
|     |                | M33 boxster red             |         |     |            |     | 996 641 980 29 instrument cluster complete |      | 01      | 1   | M 338/M 249      |
|     |                | P13 cinnamon brown          |         |     |            |     | 70C rally black                            |      |         |     |                  |
|     |                | D12 dark grey/natural       |         |     |            | 1   | 996 641 980 31 instrument cluster complete |      | 01      | 1   | (GB) M 338/M 249 |
|     |                | T12 brown/natural           |         |     |            |     | 70C rally black                            |      |         |     |                  |
| (1) | 996 641 981 26 | instrument cluster complete | 02-     | 1   | M 249      | 1   | 996 641 980 31 instrument cluster complete |      | 01      | 1   | (GB) M 338/M 249 |
|     |                | J33 nephrite green          |         |     |            |     | 70C rally black                            |      |         |     |                  |
|     |                | C53 graphite grey           |         |     |            |     | C A R R E R A 4                            |      | 01      |     | M 339            |
|     |                | S33 savanna                 |         |     |            |     | 996 641 982 48 instrument cluster complete |      | 01      | 1   | M 339/M 480      |
|     |                | G13 metropole blue          |         |     |            | 1   | 70C rally black                            |      |         |     |                  |
|     |                | M33 boxster red             |         |     |            |     | 996 641 982 50 instrument cluster complete |      | 01      | 1   | (GB) M 339/M 480 |
|     |                | P13 cinnamon brown          |         |     |            | 1   | 70C rally black                            |      |         |     |                  |
|     |                | D12 dark grey/natural       |         |     |            |     | 996 641 982 49 instrument cluster complete |      | 01      | 1   | M 339/M 249      |
|     |                | T12 brown/natural           |         |     |            |     | 70C rally black                            |      |         |     |                  |
| (1) | 996 641 981 28 | instrument cluster complete | 02-     | 1   | (GB) M 249 | 1   | 996 641 982 49 instrument cluster complete |      | 01      | 1   | M 339/M 249      |
|     |                | J33 nephrite green          |         |     |            |     | 70C rally black                            |      |         |     |                  |
|     |                | C53 graphite grey           |         |     |            |     |  |      |         |     |                  |

|       |      |    |    |              |              |        |       |            |         |     |         |
|-------|------|----|----|--------------|--------------|--------|-------|------------|---------|-----|---------|
| Model | Year | MG | SG | Illustration | Restrictions | Update | 11:51 | 25.11.2005 | PORSCHE | PET | PORSCHE |
| 996   | 05   | 9  | 06 | 906-02       |              | 194    |       |            |         |     |         |

| Pos   | Part Number    | Name  | Remarks | Qty | Model                | Pos | Part Number | Name | Remarks | Qty | Model |
|-------|----------------|---|---------|-----|----------------------|-----|-------------|------|---------|-----|-------|
| 1     | 996 641 982 51 | instrument cluster<br>complete                | 01      | 1   | (GB) M 339/<br>M 249 |     |             |      |         |     |       |
|       | 70C            | rally black                                   |         |     |                      |     |             |      |         |     |       |
|       |                | C A R R E R A 2 / 4 / 4S                      | 02-     |     | X71                  |     |             |      |         |     |       |
| (1)   | 996 641 981 75 | instrument cluster<br>complete                | 02-     | 1   | M 480                |     |             |      |         |     |       |
|       | 70C            | rally black                                   |         |     |                      |     |             |      |         |     |       |
| (1)   | 996 641 981 77 | instrument cluster<br>complete                | 02-     | 1   | (GB) M 480           |     |             |      |         |     |       |
|       | 70C            | rally black                                   |         |     |                      |     |             |      |         |     |       |
| (1)   | 996 641 981 76 | instrument cluster<br>complete                | 02-     | 1   | M 249                |     |             |      |         |     |       |
|       | 70C            | rally black                                   |         |     |                      |     |             |      |         |     |       |
| (1) A | 996 641 981 68 | instrument cluster<br>complete                | 02      | 1   | (GB) M 249           |     |             |      |         |     |       |
|       | 70C            | rally black                                   |         |     |                      |     |             |      |         |     |       |
| (1)   | 996 641 981 78 | instrument cluster<br>complete                | 02-     | 1   | (GB) M 249           |     |             |      |         |     |       |
|       | 70C            | rally black                                   |         |     |                      |     |             |      |         |     |       |
| 2     | 996 641 911 00 | knob<br>actuator<br>tripmeter<br>and<br>clock |         | 1   |                      |     |             |      |         |     |       |
| 3     | 999 631 304 90 | bulb<br>12 V 3 W                              | 01      | X   |                      |     |             |      |         |     |       |
| 4     | 999 631 303 90 | bulb<br>12 V 1,5 W                            | 01      | X   |                      |     |             |      |         |     |       |
| 5     | 999 631 302 90 | bulb<br>12 V 1,2 W                            | 01      | X   |                      |     |             |      |         |     |       |
| 6     | 999 919 188 09 | oval-head screw<br>5,0 X 30                   |         | 2   |                      |     |             |      |         |     |       |
|       |                | - - - E N D - - -                             |         |     |                      |     |             |      |         |     |       |

PORSCHE

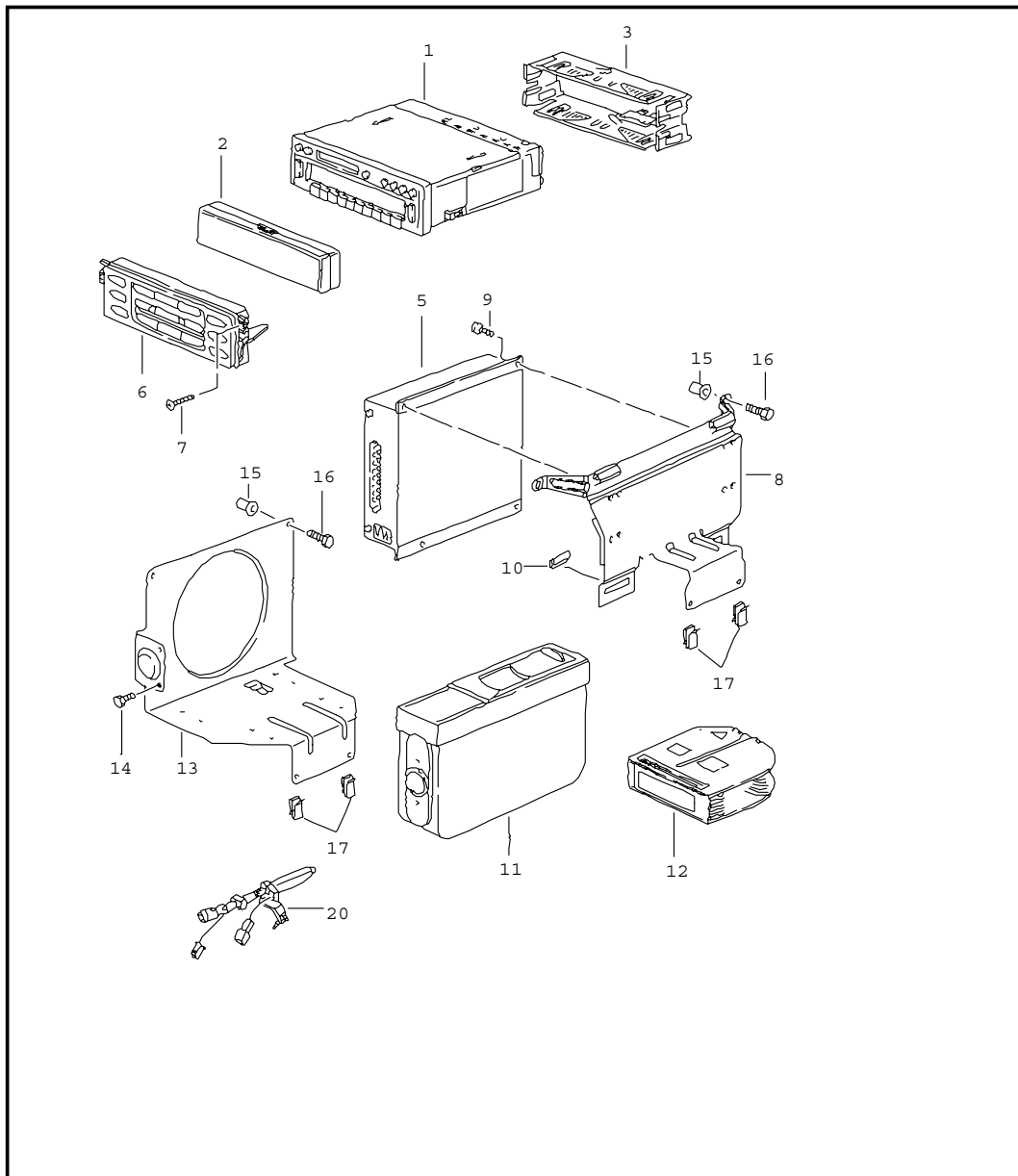
# PET

PORSCHE

|       |      |    |    |              |              |        |       |            |
|-------|------|----|----|--------------|--------------|--------|-------|------------|
| Model | Year | MG | SG | Illustration | Restrictions | Update |       |            |
| 996   | 05   | 9  | 07 | 907-00       |              | 194    | 11:51 | 25.11.2005 |

| Pos | Part Number | Name  | Remarks | Qty | Model |
|-----|-------------|---|---------|-----|-------|
|     |             | <p>cruise control</p> <p>see group<br/>4/03/05</p> <p>- - - E N D - - -</p> |         |     |       |

|       |      |    |    |              |              |        |       |            |         |     |         |
|-------|------|----|----|--------------|--------------|--------|-------|------------|---------|-----|---------|
| Model | Year | MG | SG | Illustration | Restrictions | Update | 11:51 | 25.11.2005 | PORSCHE | PET | PORSCHE |
| 996   | 05   | 9  | 11 | 911-00       |              | 194    |       |            |         |     |         |



| Pos | Part Number      | Name   | Remarks           | Qty | Model                      |
|-----|------------------|--|-------------------|-----|----------------------------|
| 1   | > 993 645 118 01 | radio<br>booster<br>CR - 31  | -02<br>-02<br>-98 | 1   | M 330                      |
| 1   | > 993 645 116 01 | radio<br>CR - 21   | -98               | 1   | M 326                      |
| 1   | > 993 645 115 01 | radio<br>CR - 11   | -98               | 1   | M 320                      |
| 1   | > 993 645 119 01 | radio<br>CDR - 21  | -98               | 1   | M 686                      |
| 2   | 993 645 190 00   | case<br>for<br>control part<br>radio<br><br>new design<br>radio<br>see catalogue<br>- TEQUIPMENT - | -98<br><br>99-    | 1   |                            |
| (2) | 996 645 190 00   | case<br>for<br>control part<br>radio   | 99-               | 1   |                            |
| 3   | 993 645 173 00   | retaining frame  | -98               | 1   |                            |
| -   | 996 645 106 00   | alarm contact<br>plate<br>for<br>radio   | -01               | 1   |                            |
| -   | 996 645 107 00   | alarm contact<br>plate<br>for<br>radio   | 02                | 1   |                            |
| 5   | 996 645 301 01   | booster  | -00               | 1   | COUPE M 490                |
| 5   | 996 645 321 00   | booster  | 01-<br>02         | 1   | COUPE M 490<br>TARGA M 490 |
| 5   | 996 645 303 01   | booster  | -00               | 1   | CABRIO M 490               |
| 5   | 996 645 323 00   | booster  | 01-               | 1   | CABRIO M 490               |
| -   | 996 610 149 00   | cap<br>connector housing<br>booster  |                   | 1   | M 490                      |
| (5) | 996 645 302 05   | booster<br>digital sound processing  | 98                | 1   | COUPE M 680                |

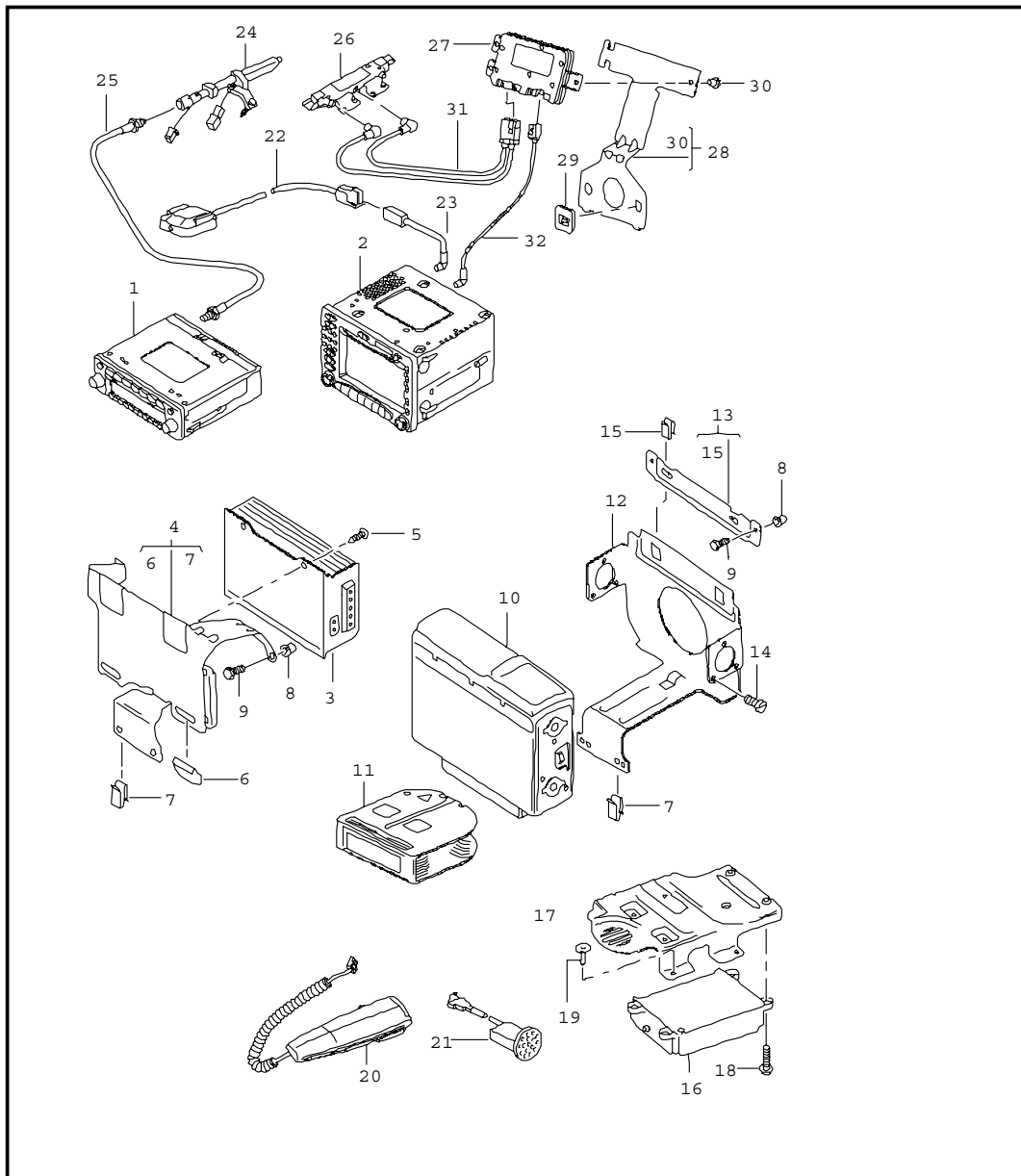
|       |      |    |    |              |              |        |       |            |         |     |         |
|-------|------|----|----|--------------|--------------|--------|-------|------------|---------|-----|---------|
| Model | Year | MG | SG | Illustration | Restrictions | Update | 11:51 | 25.11.2005 | PORSCHE | PET | PORSCHE |
| 996   | 05   | 9  | 11 | 911-00       |              | 194    |       |            |         |     |         |

| Pos | Part Number    | Name   | Remarks | Qty | Model                 | Pos  | Part Number    | Name                                    | Remarks | Qty | Model                 |
|-----|----------------|--|---------|-----|-----------------------|------|----------------|---|---------|-----|-----------------------|
| (5) | 996 645 312 00 | booster<br>digital sound processing              | -00     | 1   | COUPE M 680           | (8)  | 996 645 236 00 | support                                 | /RL 99- | 1   | M 339/M 490/<br>M 680 |
| (5) | 996 645 322 01 | booster<br>digital sound processing              | 01      | 1   | COUPE M 680           | (8)  | 996 645 265 00 | support                                 | 02      | 1   | M 339/M 680           |
| (5) | 996 645 338 00 | booster<br>BOSE                                  | 02      | 1   | COUPE M 680           | (8)  | 996 645 239 01 | support<br>additional amplifier         | 02      | 1   | M 339/M 680           |
| (5) | 996 645 304 04 | booster<br>digital sound processing              | 98      | 1   | CABRIO M 680          | 9    | 900 143 031 02 | oval-head sheetmetal screw<br>4,2 X 9,5 |         | 2   | M 490/M 680           |
| (5) | 996 645 314 00 | booster<br>digital sound processing              | -00     | 1   | CABRIO M 680          | 10   | 999 507 510 02 | u-clamp                                 |         | 2   | M 490/M 680           |
| (5) | 996 645 324 01 | booster<br>digital sound processing              | 01      | 1   | CABRIO M 680          | (10) | 999 591 954 09 | u-clamp                                 | /RL 99- | 2   | M 339/M 490/<br>M 680 |
| (5) | 996 645 339 00 | booster<br>BOSE                                  | 02      | 1   | CABRIO/TARGA<br>M 680 | (10) | 999 507 532 02 | u-clamp                                 | /RL 99- | 2   | M 339/M 490/<br>M 680 |
| (5) | 996 645 341 00 | additional amplifier<br>BOSE                     | 02      | 1   | M 680                 | -    | 999 591 725 02 | speed nut<br>ST 3,5                     | /LL 99- | 1   | M 339/M 490/<br>M 680 |
| -   | 996 610 151 00 | cap<br>connector housing<br>booster              | /LL 02  | 1   | M 338/M 490/<br>M 680 | - U  | 999 507 771 40 | plug<br>5,5 X 4,8                       | 02      | 1   | M 680                 |
| -   | 996 610 150 01 | cover<br>connector housing<br>booster            | /RL 02  | 1   | M 338/M 490/<br>M 680 | -    | 999 073 048 02 | tapping screw<br>3,5 X 13               | 02      | 1   | M 680                 |
| -   | 996 610 152 00 | cap<br>connector housing<br>additional amplifier | 02      | 1   | M 338/M 680           | 11 > | 993 645 130 00 | cd changer<br>CDC - 3                   |         | 1   | M 692                 |
| 6   | 996 645 201 02 | control part<br>EFR gloss black                  | -01     | 1   | M 680                 | 12   | 993 645 113 00 | rack<br>for<br>cd changer               |         | 1   | M 692                 |
| 7   | 999 919 182 09 | oval-head screw<br>4,0 X 20                      | -01     | 2   | M 680                 | 13   | 996 645 221 00 | support                                 | /LL     | 1   | M 338/M 692           |
| 8   | 996 646 025 01 | support  | -01     | 1   | M 338/M 490/<br>M 680 | (13) | 996 645 222 00 | support                                 | /RL     | 1   | M 338/M 692           |
| 8   | 996 646 025 01 | support  | 02      | 1   | M 338/M 490           | (13) | 996 645 231 00 | support                                 | /LL 99- | 1   | M 339/M 692           |
| (8) | 996 645 255 11 | support  | 02      | 1   | M 338/M 680           | (13) | 996 645 232 01 | support                                 | /RL     | 1   | M 339/M 692           |
| (8) | 996 645 235 01 | support<br>upper part                            | /LL -01 | 1   | M 339/M 490/<br>M 680 | -    | 996 610 207 00 | cable cover<br>cd changer               | /LL 99- | 1   | M 339/M 692           |
| (8) | 996 645 235 02 | support<br>upper part                            | /LL 02  | 1   | M 339/M 490/<br>M 680 | 14   | 999 075 067 09 | screw<br>M 4 X 8                        |         | 6   | M 692                 |
| (8) | 996 645 335 00 | support<br>lower part                            | /LL 99- | 1   | M 339/M 490/<br>M 680 | 15   | 999 500 078 00 | sheetmetal press nut<br>M 6             |         | 4   |                       |
|     |                |  |         |     |                       | 16   | 900 378 188 09 | hexagon-head bolt<br>M 6 X 20           |         | 4   |                       |
|     |                |  |         |     |                       | 17   | 999 507 532 02 | u-clamp                                 |         | 4   |                       |
|     |                |  |         |     |                       | 20   | 996 647 105 00 | antenna booster                         |         | 1   |                       |





|       |      |    |    |              |              |        |       |            |         |     |         |
|-------|------|----|----|--------------|--------------|--------|-------|------------|---------|-----|---------|
| Model | Year | MG | SG | Illustration | Restrictions | Update | 11:51 | 25.11.2005 | PORSCHE | PET | PORSCHE |
| 996   | 05   | 9  | 11 | 911-01       |              | 194    |       |            |         |     |         |



| Pos | Part Number      | Name  | Remarks                  | Qty | Model        |
|-----|------------------|---|--------------------------|-----|--------------|
| 1   | -                | radio<br>booster<br>navigation system<br>telephone  | 03-<br>03-<br>03-<br>03- |     |              |
|     |                  | radio<br>see catalogue<br>TEQUIPMENT  |                          |     |              |
| 2   | A 996 642 204 02 | control part  | 03                       | 1   | M 665        |
|     | A05              | black mat<br>see technical information<br>GR.9 , NR. 2/03<br>GR.9 , NR. 3/03                    |                          |     |              |
| 2   | A 996 642 204 03 | control part  | 03                       | 1   | M 665        |
|     | A05              | black mat<br>see technical information<br>GR.9 , NR. 2/03<br>GR.9 , NR. 3/03<br>GR.9 , NR.11/03 |                          |     |              |
| 2   | A 996 642 204 04 | control part  | 03                       | 1   | M 665        |
|     | A05              | black mat<br>see technical information<br>GR.9 , NR. 2/03<br>GR.9 , NR. 3/03<br>GR.9 , NR.11/03 |                          |     |              |
| 2   | A 996 642 204 05 | control part  | 03-                      | 1   | M 665        |
|     | A05              | black mat<br>see technical information<br>GR.9 , NR. 11/03                                      |                          |     |              |
| 2   | > 996 642 204 06 | control part  | -04                      | 1   | M 665        |
|     | A05              | black mat<br>see technical information<br>GR.9 , NR. 11/03                                      |                          |     |              |
| 2   | > 996 642 204 07 | control part  | 05                       | 1   | M 665        |
|     | A05              | black mat<br>see technical information<br>GR.9 , NR. 11/03                                      |                          |     |              |
| (2) | A 996 642 214 02 | control part  | 03                       | 1   | M665/490/680 |
|     | A05              | black mat<br>see technical information<br>GR.9 , NR. 2/03<br>GR.9 , NR. 3/03                    |                          |     |              |
| (2) | A 996 642 214 03 | control part  | 03                       | 1   | M665/490/680 |

|       |      |    |    |              |              |        |       |            |         |     |         |
|-------|------|----|----|--------------|--------------|--------|-------|------------|---------|-----|---------|
| Model | Year | MG | SG | Illustration | Restrictions | Update | 11:51 | 25.11.2005 | PORSCHE | PET | PORSCHE |
| 996   | 05   | 9  | 11 | 911-01       |              | 194    |       |            |         |     |         |

| Pos | Part Number      | Name  | Remarks | Qty | Model        | Pos   | Part Number    | Name  | Remarks | Qty | Model                |
|-----|------------------|---|---------|-----|--------------|-------|----------------|---|---------|-----|----------------------|
|     | A05              | black mat<br>see technical information<br>GR.9 , NR. 2/03<br>GR.9 , NR. 3/03<br>GR.9 , NR.11/03 |         |     |              | -     | 996 642 035 01 | cd-rom<br>navigation system<br>see technical information<br>GR.9 , NR. 11/03                  | 04      | 1   | (SA) , (AG)<br>M 670 |
| (2) | A 996 642 214 04 | control part  | 03      | 1   | M665/490/680 | - A   | 996 642 036 01 | cd-rom<br>navigation system   | 04      | 1   | (AUS) M 670          |
|     | A05              | black mat<br>see technical information<br>GR.9 , NR. 2/03<br>GR.9 , NR. 3/03<br>GR.9 , NR.11/03 |         |     |              | -     | 996 642 036 02 | cd-rom<br>see technical information<br>GR.9 , NR. 11/03<br>navigation system                  | 05      | 1   | (AUS) M 670          |
| (2) | A 996 642 214 05 | control part  | 03-     | 1   | M665/490/680 | -     | 996 642 037 01 | cd-rom<br>navigation system   | 04      | 1   | M 068/M 074<br>M 670 |
|     | A05              | black mat<br>see technical information<br>GR.9 , NR. 11/03                                      |         |     |              | -     | 996 642 037 02 | cd-rom  | 05      | 1   | M 068/M 074<br>M 670 |
| (2) | A 996 642 214 06 | control part  | -04     | 1   | M665/490/680 |       |                | see technical information<br>GR.9 , NR. 11/03<br>navigation system                            |         |     |                      |
|     | A05              | black mat<br>see technical information<br>GR.9 , NR. 11/03                                      |         |     |              | 3 U   | 996 645 331 01 | booster<br>see technical information<br>GR.9 , NR. 2/03<br>GR.9 , NR. 3/03                    |         | 1   | M 490                |
| (2) | > 996 642 214 07 | control part  | 03-     | 1   | M665/490/680 | 3 A   | 996 645 331 02 | booster<br>see technical information<br>GR.9 , NR. 2/03<br>GR.9 , NR. 3/03                    | 03      | 1   | M 490                |
|     | A05              | black mat<br>see technical information<br>GR.9 , NR. 11/03                                      |         |     |              | 3     | 996 645 331 03 | booster<br>see technical information<br>GR.9 , NR. 2/03<br>GR.9 , NR. 3/03                    | 03-     | 1   | M 490                |
| -   | A 996 642 205 01 | module<br>navigation system   | 03      | 1   | M 670        | (3) U | 996 645 333 02 | booster<br>see technical information<br>GR.9 , NR. 2/03<br>GR.9 , NR. 3/03                    | /LL 03  | 1   | M 680                |
| -   | 996 642 205 02   | module<br>navigation system   | 03-     | 1   | M 670        | (3) A | 996 645 333 03 | booster<br>see technical information<br>GR.9 , NR. 2/03<br>GR.9 , NR. 3/03<br>GR.9 , NR.11/03 | /LL 03  | 1   | M 680                |
| -   | A 996 642 030 00 | cd-rom<br>navigation system<br>see technical information<br>GR.9 , NR. 11/03                    | 03      | 1   | M 670        | (3) A | 996 645 333 04 | booster<br>see technical information<br>GR.9 , NR. 2/03<br>GR.9 , NR. 3/03<br>GR.9 , NR.11/03 | /LL 03  | 1   | M 680                |
| -   | A 996 642 030 01 | cd-rom<br>navigation system   | -04     | 1   | M 670        |       |                |   |         |     |                      |
| -   | 996 642 030 02   | cd-rom<br>see technical information<br>GR.9 , NR. 11/03<br>navigation system                    | 05      | 1   | M 670        |       |                |   |         |     |                      |
| -   | A 996 642 034 01 | cd-rom<br>navigation system   | 04      | 1   | (ZA) M 670   |       |                |   |         |     |                      |
| -   | 996 642 034 02   | cd-rom<br>see technical information<br>GR.9 , NR. 11/03<br>navigation system                    | 05      | 1   | (ZA) M 670   |       |                |   |         |     |                      |

|       |      |    |    |              |              |        |       |            |         |     |         |
|-------|------|----|----|--------------|--------------|--------|-------|------------|---------|-----|---------|
| Model | Year | MG | SG | Illustration | Restrictions | Update | 11:51 | 25.11.2005 | PORSCHE | PET | PORSCHE |
| 996   | 05   | 9  | 11 | 911-01       |              | 194    |       |            |         |     |         |

| Pos   | Part Number    | Name  | Remarks | Qty | Model                 | Pos  | Part Number      | Name  | Remarks    | Qty | Model                 |
|-------|----------------|---|---------|-----|-----------------------|------|------------------|---|------------|-----|-----------------------|
| (3)   | 996 645 333 05 | booster<br>see technical information<br>GR.9 , NR. 15/03<br>GR.9 , NR. 11/03                  | /LL 03- | 1   | M 680                 | 5    | 900 143 031 02   | tapping screw<br>4,2 X 9,5  |            | 2   | M 490/M 680           |
| (3) U | 996 645 333 02 | booster<br>see technical information<br>GR.9 , NR. 2/03<br>GR.9 , NR. 3/03                    | /RL 03  | 1   | M 339/M 680           | 6    | 999 507 510 02   | u-clamp   |            | 2   | M 490/M 680           |
| (3) A | 996 645 333 03 | booster   | /RL 03  | 1   | M 339/M 680           | 7    | 999 507 532 02   | u-clamp   |            | X   |                       |
| (3) A | 996 645 333 04 | booster<br>see technical information<br>GR.9 , NR. 2/03<br>GR.9 , NR. 3/03<br>GR.9 , NR.11/03 | /RL 03  | 1   | M 339/M 680           | 8    | 999 500 078 00   | sheetmetal press nut<br>M 6   |            | X   |                       |
| (3)   | 996 645 333 05 | booster<br>see technical information<br>GR.9 , NR. 15/03<br>GR.9 , NR. 11/03                  | /RL 03- | 1   | M 339/M 680           | 9    | 900 378 188 09   | hexagon-head bolt<br>M 6 X 20   |            | X   |                       |
| (3) U | 996 645 332 01 | booster<br>see technical information<br>GR.9 , NR. 2/03<br>GR.9 , NR. 3/03                    | /RL 03  | 1   | M 338/M 680           | (9)  | 900 380 015 09   | hexagon nut<br>M 6  |            | 2   | M 339/M 490/<br>M 680 |
| (3) A | 996 645 332 03 | booster<br>see technical information<br>GR.9 , NR. 2/03<br>GR.9 , NR. 3/03<br>GR.9 , NR.11/03 | /RL 03  | 1   | M 338/M 680           | 10   | A 996 645 140 01 | cd changer<br>CDC 4<br>adjustment<br>installation<br>attention<br>see technical information<br>GR.9 , NR. 2/03<br>GR.9 , NR. 3/03 |            | 1   | M 692                 |
| (3) A | 996 645 332 04 | booster<br>see technical information<br>GR.9 , NR. 2/03<br>GR.9 , NR. 3/03<br>GR.9 , NR.11/03 | /RL 03  | 1   | M 338/M 680           | 10 > | 996 645 140 02   | cd changer<br>CDC 4<br>adjustment<br>installation<br>attention<br>see technical information<br>GR.9 , NR. 2/03<br>GR.9 , NR. 3/03 | /RL        | 1   | M 339/M 692           |
| (3)   | 996 645 332 05 | booster<br>see technical information<br>GR.9 , NR. 15/03<br>GR.9 , NR. 11/03                  | /RL 03- | 1   | M 338/M 680           | 10 > | 997 645 140 02   | cd changer<br>CDC 4<br>adjustment<br>installation<br>attention<br>see technical information<br>GR.9 , NR. 2/03<br>GR.9 , NR. 3/03 | /LL<br>/RL | 1   | M 692<br>M 338/M 692  |
| -     | 996 610 151 00 | cap<br>connector housing<br>booster   | /LL     | 1   | M 338/M 490/<br>M 680 | 11   | 996 645 113 00   | rack<br>cd changer  |            | 1   | M 692                 |
| -     | 996 610 150 01 | cap<br>connector housing<br>booster   | /RL     | 1   | M 338/M 490/<br>M 680 | 12   | 996 645 225 00   | support   |            | 1   | M 338/M 692           |
| 4     | 996 645 255 01 | support   |         | 1   | M 338/M 490/<br>M 680 | (12) | 996 645 229 00   | support   | /LL        | 1   | M 339/M 692           |
| (4)   | 996 645 265 00 | support   |         | 1   | M 339/M 490/<br>M 680 | (12) | 996 645 230 00   | support   | /RL        | 1   | M 339/M 692           |
|       |                |   |         |     |                       | 13   | 996 645 227 00   | support   |            | 1   | M 338/M 692           |
|       |                |   |         |     |                       | 14   | N 014 128 13     | oval-head screw<br>M 5 X 8  |            | 6   | M 692                 |

|       |      |    |    |              |              |        |       |            |         |     |         |
|-------|------|----|----|--------------|--------------|--------|-------|------------|---------|-----|---------|
| Model | Year | MG | SG | Illustration | Restrictions | Update | 11:51 | 25.11.2005 | PORSCHE | PET | PORSCHE |
| 996   | 05   | 9  | 11 | 911-01       |              | 194    |       |            |         |     |         |

| Pos | Part Number      | Name  | Remarks | Qty | Model                             | Pos  | Part Number    | Name  | Remarks    | Qty | Model       |             |
|-----|------------------|---|---------|-----|-----------------------------------|------|----------------|---|------------|-----|-------------|-------------|
| 15  | 999 591 954 09   | u-clamp   |         | 2   | M 338/M 692                       |      |                | antenna<br>telephone<br>see group<br>9 /11/10 |            |     |             |             |
| 16  | A 996 642 207 01 | control unit<br>telephone<br>see technical information<br>GR.9 , NR. 2/03<br>GR.9 , NR. 3/03                        | 03      | 1   | M 666                             | 20   | 996 642 212 01 | receiver<br>telephone                         |            | 1   | M 668       |             |
| 16  | A 996 642 207 02 | control unit<br>telephone<br>see technical information<br>GR.9 , NR. 2/03<br>GR.9 , NR. 3/03                        | 03      | 1   | M 666                             | (20) | 996 642 980 14 | receiver<br>telephone<br>leather              |            | 1   | XEA         |             |
| 16  | A 996 642 207 04 | control unit<br>telephone<br>see technical information<br>GR.9 , NR. 2/03<br>GR.9 , NR. 3/03                        | 03      | 1   | M 666                             |      | A11            | black   |            |     |             |             |
| 16  | A 996 642 207 05 | control unit<br>telephone<br>see technical information<br>GR.9 , NR. 9/04   |         | 1   | M 666                             |      | C51            | graphite grey                                 |            |     |             |             |
| 16  | A 997 646 207 01 | control unit<br>telephone   |         | 1   | M 666                             |      | S31            | savanna                                       |            |     |             |             |
| 16  | A 997 646 207 02 | control unit<br>F >>995S6 00354<br>F >>995S6 30090<br>F >>995S6 40515<br>telephone                                  |         | 1   | M 666<br>COUPE<br>TARGA<br>CABRIO |      | G11            | metropole blue                                |            |     |             |             |
| 16  | > 997 646 208 04 | control unit<br>telephone<br>F 995S6 00355>><br>F 995S6 30091>><br>F 995S6 40516>><br><br>when required order also: |         | 1   | M 666<br>COUPE<br>TARGA<br>CABRIO | 21   | 996 646 307 02 | microphone                                    | /LL        | 1   | M 618/M 666 |             |
| -   | 997 612 989 00   | connecting line<br>adapter<br>for<br>control unit<br>997.646.208.04   |         | 1   | M 666                             |      | A03            | black   |            |     |             |             |
| 17  | 996 642 216 00   | support   |         | 1   | M 666                             |      | C53            | graphite grey                                 |            |     |             |             |
| 18  | 900 378 035 09   | hexagon-head bolt<br>M 6 X 16   |         | 2   | M 666                             | (21) | S33            | savanna                                       |            |     |             |             |
| 19  | 999 073 060 02   | tapping screw<br>4,8 X 13   |         | 4   | M 666                             |      | G13            | metropole blue                                |            |     |             |             |
|     |                  |   |         |     |                                   |      | J33            | nephrite green                                |            |     |             |             |
|     |                  |   |         |     |                                   |      | M33            | boxster red                                   |            |     |             |             |
|     |                  |   |         |     |                                   |      | P13            | cinnamon brown                                |            |     |             |             |
|     |                  |   |         |     |                                   |      | (21)           | 996 646 308 02                                | microphone | /RL | 1           | M 618/M 666 |
|     |                  |   |         |     |                                   |      | A03            | black   |            |     |             |             |
|     |                  |   |         |     |                                   |      | C53            | graphite grey                                 |            |     |             |             |
|     |                  |   |         |     |                                   |      | S33            | savanna                                       |            |     |             |             |

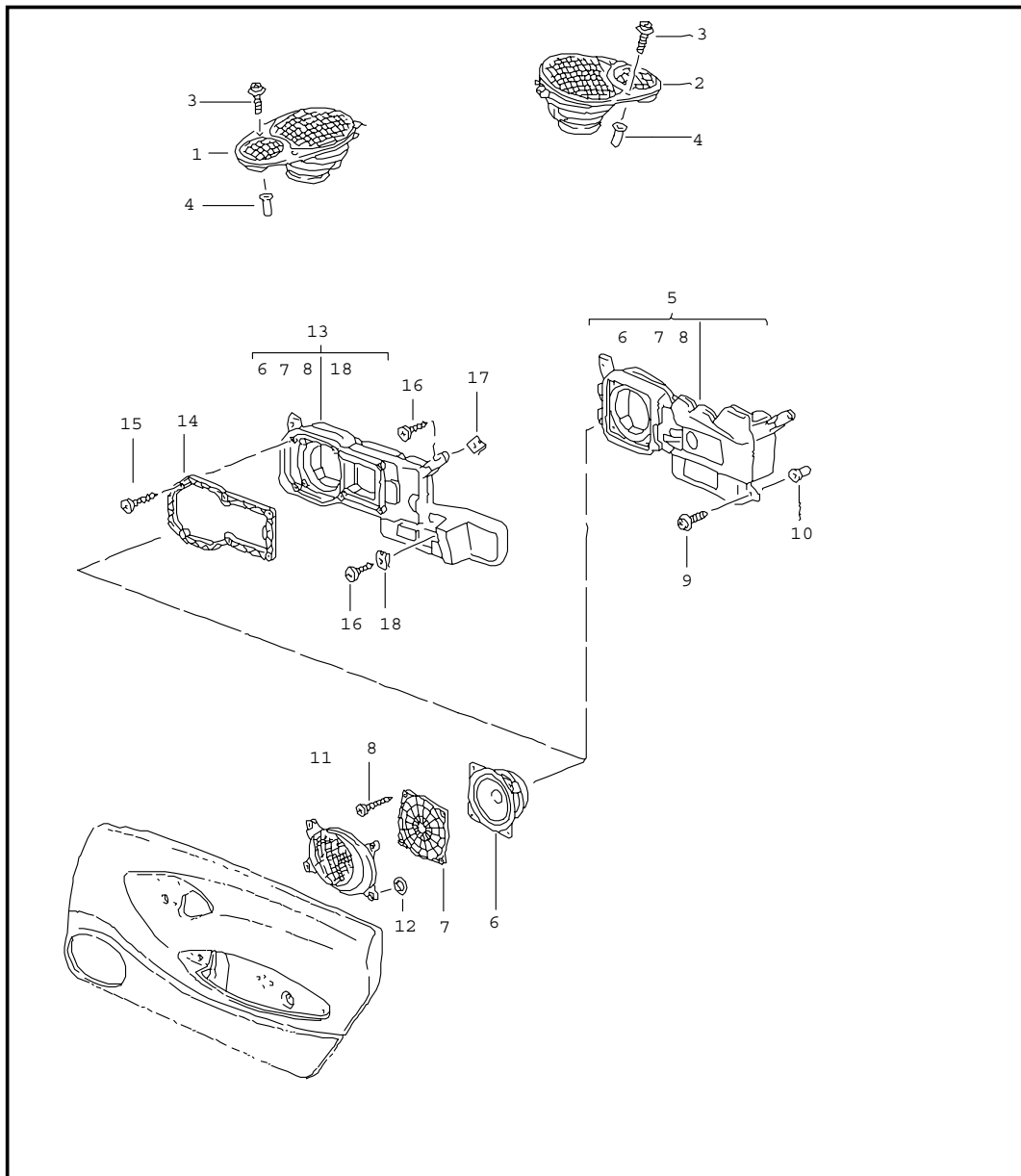
|       |      |    |    |              |              |        |       |            |         |     |         |
|-------|------|----|----|--------------|--------------|--------|-------|------------|---------|-----|---------|
| Model | Year | MG | SG | Illustration | Restrictions | Update | 11:51 | 25.11.2005 | PORSCHE | PET | PORSCHE |
| 996   | 05   | 9  | 11 | 911-01       |              | 194    |       |            |         |     |         |

| Pos  | Part Number    | Name           | Remarks | Qty | Model                 | Pos  | Part Number    | Name  | Remarks | Qty | Model |
|------|----------------|----------------|---------|-----|-----------------------|------|----------------|---|---------|-----|-------|
|      | G13            | metropole blue |         |     |                       | (21) | 996 646 308 04 | microphone  | /RL     | 1   | M 680 |
|      | J33            | nephrite green |         |     |                       |      | A03            | black   |         |     |       |
|      | M33            | boxster red    |         |     |                       |      | C53            | graphite grey   |         |     |       |
|      | P13            | cinnamon brown |         |     |                       |      | S33            | savanna   |         |     |       |
| (21) | 996 646 307 03 | microphone     | /LL     | 1   | M 618/M 666/<br>M 680 |      | G13            | metropole blue  |         |     |       |
|      | A03            | black          |         |     |                       |      | J33            | nephrite green  |         |     |       |
|      | C53            | graphite grey  |         |     |                       |      | M33            | boxster red   |         |     |       |
|      | S33            | savanna        |         |     |                       |      | P13            | cinnamon brown  |         |     |       |
|      | G13            | metropole blue |         |     |                       | 22   | 996 642 206 00 | antenna<br>GPS  |         | 1   | M 670 |
|      | J33            | nephrite green |         |     |                       | 23   | 996 612 009 00 | connecting line<br>antenna<br>module<br>navigation system   |         | 1   | M 670 |
|      | M33            | boxster red    |         |     |                       | 24   | 996 647 105 00 | antenna booster<br>radio                                    |         | 1   | M 441 |
|      | P13            | cinnamon brown |         |     |                       | 25   | 996 612 072 01 | connecting line<br>antenna booster<br>radio                 |         | 1   | M 441 |
| (21) | 996 646 308 03 | microphone     | /RL     | 1   | M 618/M 666/<br>M 680 | 26   | 996 647 117 00 | antenna booster   | /L      | 1   | M 440 |
|      | A03            | black          |         |     |                       | (26) | 996 647 118 00 | antenna booster   | /R      | 1   | M 440 |
|      | C53            | graphite grey  |         |     |                       | 27   | 996 647 124 00 | control unit  |         | 1   | M 440 |
|      | S33            | savanna        |         |     |                       | 28   | 996 647 202 00 | support   |         | 1   | M 440 |
|      | G13            | metropole blue |         |     |                       | 29   | 999 507 772 40 | clip  |         | 1   | M 440 |
|      | J33            | nephrite green |         |     |                       | 30   | 999 507 771 40 | plug  |         | 1   | M 440 |
|      | M33            | boxster red    |         |     |                       | 31   | 996 612 057 00 | connecting line<br>antenna booster<br>left<br>control unit  | /LL     | 1   | M 665 |
|      | P13            | cinnamon brown |         |     |                       | (31) | 996 612 067 00 | connecting line<br>antenna booster<br>left<br>control unit  | /RL     | 1   | M 665 |
| (21) | 996 646 307 04 | microphone     | /LL     | 1   | M 680                 | (31) | 996 612 056 00 | connecting line<br>antenna booster<br>right<br>control unit | /LL     | 1   | M 665 |
|      | A03            | black          |         |     |                       |      |                |   |         |     |       |
|      | C53            | graphite grey  |         |     |                       |      |                |   |         |     |       |
|      | S33            | savanna        |         |     |                       |      |                |   |         |     |       |
|      | G13            | metropole blue |         |     |                       |      |                |   |         |     |       |
|      | J33            | nephrite green |         |     |                       |      |                |   |         |     |       |
|      | M33            | boxster red    |         |     |                       |      |                |   |         |     |       |
|      | P13            | cinnamon brown |         |     |                       |      |                |   |         |     |       |

|       |      |    |    |              |              |        |       |            |         |     |         |
|-------|------|----|----|--------------|--------------|--------|-------|------------|---------|-----|---------|
| Model | Year | MG | SG | Illustration | Restrictions | Update | 11:51 | 25.11.2005 | PORSCHE | PET | PORSCHE |
| 996   | 05   | 9  | 11 | 911-01       |              | 194    |       |            |         |     |         |

| Pos  | Part Number    | Name  | Remarks | Qty | Model | Pos | Part Number | Name | Remarks | Qty | Model |
|------|----------------|---|---------|-----|-------|-----|-------------|------|---------|-----|-------|
| (31) | 996 612 066 00 | connecting line<br>antenna booster<br>right<br>control unit                     | /RL     | 1   | M 665 |     |             |      |         |     |       |
| 32   | 996 612 058 00 | connecting line<br>control unit<br>control part<br>connector<br>CURRY           | /LL     | 1   | M 665 |     |             |      |         |     |       |
| (32) | 996 612 068 00 | connecting line<br>control unit<br>control part<br>connector<br>CURRY           | /RL     | 1   | M 665 |     |             |      |         |     |       |
| (32) | 996 612 059 00 | connecting line<br>control unit<br>control part<br>connector<br>natural colours | /LL     | 1   | M 665 |     |             |      |         |     |       |
| (32) | 996 612 069 00 | connecting line<br>control unit<br>control part<br>connector<br>natural colours | /RL     | 1   | M 665 |     |             |      |         |     |       |
|      |                | - - - E N D - - -   |         |     |       |     |             |      |         |     |       |

|       |      |    |    |              |              |        |       |            |         |     |         |
|-------|------|----|----|--------------|--------------|--------|-------|------------|---------|-----|---------|
| Model | Year | MG | SG | Illustration | Restrictions | Update | 11:51 | 25.11.2005 | PORSCHE | PET | PORSCHE |
| 996   | 05   | 9  | 11 | 911-05       |              | 194    |       |            |         |     |         |



| Pos | Part Number    | Name   | Remarks                  | Qty | Model                                      |
|-----|----------------|--|--------------------------|-----|--|
|     |                | loudspeaker<br>loudspeaker<br>M 680/MJ.02-<br>see group<br>9 / 11 / 06 |                          |     |  |
| 1   | 996 645 037 01 | loudspeaker  | /V/L                     | 1   | M 490                                      |
|     | A10            | black  | 98                       |     |  |
|     | B50            | space grey   |                          |     |  |
|     | C50            | graphite grey  |                          |     |  |
|     | G10            | metropole blue   |                          |     |  |
|     | J30            | nephrite green   |                          |     |  |
|     | M30            | boxster red  |                          |     |  |
|     | S30            | savanna  |                          |     |  |
|     | P10            | cinnamon brown   |                          |     |  |
| (1) | 996 645 035 01 | loudspeaker  | /V/L                     | 1   | M 441                                      |
|     | A10            | black  | 98                       |     |  |
|     | B50            | space grey   |                          |     |  |
|     | C50            | graphite grey  |                          |     |  |
|     | G10            | metropole blue   |                          |     |  |
|     | J30            | nephrite green   |                          |     |  |
|     | M30            | boxster red  |                          |     |  |
|     | S30            | savanna  |                          |     |  |
|     | P10            | cinnamon brown   |                          |     |  |
| (1) | 996 645 048 01 | loudspeaker  | /H/L<br>/H/L 02-<br>/H/R | 1   | COUPE M 490<br>TARGA M 490<br>CABRIO M 490 |
|     | A10            | black  | 98                       |     |  |
|     | B50            | space grey   |                          |     |  |
|     | C50            | graphite grey  |                          |     |  |
|     | G10            | metropole blue   |                          |     |  |
|     | J30            | nephrite green   |                          |     |  |
|     | M30            | boxster red  |                          |     |  |

|       |      |    |    |              |              |        |       |            |         |     |         |
|-------|------|----|----|--------------|--------------|--------|-------|------------|---------|-----|---------|
| Model | Year | MG | SG | Illustration | Restrictions | Update | 11:51 | 25.11.2005 | PORSCHE | PET | PORSCHE |
| 996   | 05   | 9  | 11 | 911-05       |              | 194    |       |            |         |     |         |

| Pos | Part Number    | Name           | Remarks                  | Qty | Model                                      | Pos | Part Number    | Name               | Remarks                  | Qty | Model                                      |
|-----|----------------|----------------|--------------------------|-----|--|-----|----------------|--------------------|--------------------------|-----|--|
|     | S30            | savanna        |                          |     |  |     | P10            | cinnamon brown     |                          |     |  |
|     | P10            | cinnamon brown |                          |     |  | (2) | 996 645 047 01 | loudspeaker        | /H/R<br>/H/R 02-<br>/H/L | 1   | COUPE M 490<br>TARGA M 490<br>CABRIO M 490 |
| (1) | 996 645 046 01 | loudspeaker    | /H/L<br>/H/L 02-<br>/H/R | 1   | COUPE M 441<br>TARGA M 441<br>CABRIO M 441 |     | A10            | black              | 98                       |     |  |
|     | A10            | black          | 98                       |     |  |     | B50            | space grey         |                          |     |  |
|     | B50            | space grey     |                          |     |  |     | C50            | graphite grey      |                          |     |  |
|     | C50            | graphite grey  |                          |     |  |     | G10            | metropole blue     |                          |     |  |
|     | G10            | metropole blue |                          |     |  |     | J30            | nephrite green     |                          |     |  |
|     | J30            | nephrite green |                          |     |  |     | M30            | boxster red        |                          |     |  |
|     | M30            | boxster red    |                          |     |  |     | S30            | savanna            |                          |     |  |
|     | S30            | savanna        |                          |     |  |     | P10            | cinnamon brown     |                          |     |  |
|     | P10            | cinnamon brown |                          |     |  | (2) | 996 645 045 01 | loudspeaker        | /H/R<br>/H/R 02-<br>/H/L | 1   | COUPE M 441<br>TARGA M 441<br>CABRIO M 441 |
| 2   | 996 645 038 01 | loudspeaker    | /V/R                     | 1   | M 490                                      |     | A10            | black              | 98                       |     |  |
|     | A10            | black          | 98                       |     |  |     | B50            | space grey         |                          |     |  |
|     | B50            | space grey     |                          |     |  |     | C50            | graphite grey      |                          |     |  |
|     | C50            | graphite grey  |                          |     |  |     | G10            | metropole blue     |                          |     |  |
|     | G10            | metropole blue |                          |     |  |     | J30            | nephrite green     |                          |     |  |
|     | J30            | nephrite green |                          |     |  |     | M30            | boxster red        |                          |     |  |
|     | M30            | boxster red    |                          |     |  |     | S30            | savanna            |                          |     |  |
|     | S30            | savanna        |                          |     |  |     | P10            | cinnamon brown     |                          |     |  |
| (2) | 996 645 036 01 | loudspeaker    | /V/R                     | 1   | M 441                                      | (2) | 996 645 049 01 | loudspeaker grille |                          | 4   |  |
|     | A10            | black          | 98                       |     |  |     | A10            | black              | 98                       |     |  |
|     | B50            | space grey     |                          |     |  |     | B50            | space grey         |                          |     |  |
|     | C50            | graphite grey  |                          |     |  |     | C50            | graphite grey      |                          |     |  |
|     | G10            | metropole blue |                          |     |  |     | G10            | metropole blue     |                          |     |  |
|     | J30            | nephrite green |                          |     |  |     | J30            | nephrite green     |                          |     |  |
|     | M30            | boxster red    |                          |     |  |     | M30            | boxster red        |                          |     |  |
|     | S30            | savanna        |                          |     |  |     | S30            | savanna            |                          |     |  |



|       |      |    |    |              |              |        |       |            |         |     |         |
|-------|------|----|----|--------------|--------------|--------|-------|------------|---------|-----|---------|
| Model | Year | MG | SG | Illustration | Restrictions | Update | 11:51 | 25.11.2005 | PORSCHE | PET | PORSCHE |
| 996   | 05   | 9  | 11 | 911-05       |              | 194    |       |            |         |     |         |

| Pos | Part Number    | Name                      | Remarks                          | Qty | Model                                      | Pos | Part Number    | Name              | Remarks  | Qty | Model |
|-----|----------------|---------------------------|----------------------------------|-----|--|-----|----------------|-------------------|----------|-----|-------|
|     | P10            | cinnamon brown            |                                  |     |  |     | G11            | metropole blue    |          |     |       |
| 1   | 996 645 037 02 | loudspeaker               | /V/L 99-                         | 1   | M 490                                      |     | J31            | nephrite green    |          |     |       |
|     | 01C            | satin black               |                                  |     |  |     | M31            | boxster red       |          |     |       |
| (1) | 996 645 035 02 | loudspeaker               | /V/L 99-                         | 1   | M 441                                      |     | P12            | cinnamon brown    |          |     |       |
|     | 01C            | satin black               |                                  |     |  |     | D12            | dark grey/natural |          |     |       |
| (1) | 996 645 048 02 | loudspeaker               | /H/L 99-<br>/H/L 02-<br>/H/R 99- | 1   | COUPE M 490<br>TARGA M 490<br>CABRIO M 490 | (1) | T12            | brown/natural     |          |     |       |
|     | 01C            | satin black               |                                  |     |  |     | 996 645 981 01 | loudspeaker       | /V/L 01- | 1   | M 441 |
| (1) | 996 645 046 02 | loudspeaker               | /H/L 99-<br>/H/L 02-<br>/H/R 99- | 1   | COUPE M 441<br>TARGA M 441<br>CABRIO M 441 |     | VRK            | black             |          |     |       |
|     | 01C            | satin black               |                                  |     |  |     | S31            | savanna           |          |     |       |
| 2   | 996 645 038 02 | loudspeaker               | /V/R 99-                         | 1   | M 490                                      |     | C51            | graphite grey     |          |     |       |
|     | 01C            | satin black               |                                  |     |  |     | G11            | metropole blue    |          |     |       |
| (2) | 996 645 036 02 | loudspeaker               | /V/R 99-                         | 1   | M 441                                      |     | J31            | nephrite green    |          |     |       |
|     | 01C            | satin black               |                                  |     |  |     | M31            | boxster red       |          |     |       |
| (2) | 996 645 047 02 | loudspeaker               | /H/R 99-<br>/H/R 02-<br>/H/L 99- | 1   | COUPE M 490<br>TARGA M 490<br>CABRIO M 490 |     | P12            | cinnamon brown    |          |     |       |
|     | 01C            | satin black               |                                  |     |  | 2   | D12            | dark grey/natural |          |     |       |
| (2) | 996 645 045 02 | loudspeaker               | /H/R 99-<br>/H/R 02-<br>/H/L 99- | 1   | COUPE M 441<br>TARGA M 441<br>CABRIO M 441 |     | T12            | brown/natural     |          |     |       |
|     | 01C            | satin black               |                                  |     |  |     | 996 645 984 01 | loudspeaker       | /V/R 01- | 1   | M 490 |
| (2) | 996 645 049 02 | loudspeaker grille        | 99-                              | 4   |  |     | VRK            | black             |          |     |       |
|     | 01C            | satin black               |                                  |     |  |     | S31            | savanna           |          |     |       |
|     |                | loudspeaker front leather |                                  |     | XKL/XKM/XKN/<br>XKP                        |     | C51            | graphite grey     |          |     |       |
| 1   | 996 645 983 01 | loudspeaker               | /V/L 01-                         | 1   | M 490                                      |     | G11            | metropole blue    |          |     |       |
|     | VRK            | black                     |                                  |     |  | (2) | J31            | nephrite green    |          |     |       |
|     | S31            | savanna                   |                                  |     |  |     | M31            | boxster red       |          |     |       |
|     | C51            | graphite grey             |                                  |     |  |     | P12            | cinnamon brown    |          |     |       |
|     |                |                           |                                  |     |  |     | D12            | dark grey/natural |          |     |       |
|     |                |                           |                                  |     |  |     | T12            | brown/natural     |          |     |       |
|     |                |                           |                                  |     |  |     | 996 645 982 01 | loudspeaker       | /V/R 01- | 1   | M 441 |
|     |                |                           |                                  |     |  |     | VRK            | black             |          |     |       |
|     |                |                           |                                  |     |  |     | S31            | savanna           |          |     |       |

|       |      |    |    |              |              |        |       |            |         |     |         |
|-------|------|----|----|--------------|--------------|--------|-------|------------|---------|-----|---------|
| Model | Year | MG | SG | Illustration | Restrictions | Update | 11:51 | 25.11.2005 | PORSCHE | PET | PORSCHE |
| 996   | 05   | 9  | 11 | 911-05       |              | 194    |       |            |         |     |         |

| Pos | Part Number    | Name                     | Remarks                          | Qty | Model                                      | Pos | Part Number    | Name                                  | Remarks                          | Qty | Model                                      |
|-----|----------------|--------------------------|----------------------------------|-----|--|-----|----------------|---------------------------------------|----------------------------------|-----|--|
|     | C51            | graphite grey            |                                  |     |  |     | D12            | dark grey/natural                     |                                  |     |  |
|     | G11            | metropole blue           |                                  |     |  |     | T12            | brown/natural                         |                                  |     |  |
|     | J31            | nephrite green           |                                  |     |  | (2) | 996 645 988 05 | loudspeaker                           | /H/R 01-<br>/H/R 02-<br>/H/L 01- | 1   | COUPE M 490<br>TARGA M 490<br>CABRIO M 490 |
|     | M31            | boxster red              |                                  |     |  |     | VRK            | black                                 |                                  |     |  |
|     | P12            | cinnamon brown           |                                  |     |  |     | S31            | savanna                               |                                  |     |  |
|     | D12            | dark grey/natural        |                                  |     |  |     | C51            | graphite grey                         |                                  |     |  |
|     | T12            | brown/natural            |                                  |     |  |     | G11            | metropole blue                        |                                  |     |  |
|     |                | loudspeaker rear leather |                                  |     | XXL  |     | J31            | nephrite green                        |                                  |     |  |
| (1) | 996 645 989 05 | loudspeaker              | /H/L 01-<br>/H/L 02-<br>/H/R 01- | 1   | COUPE M 490<br>TARGA M 490<br>CABRIO M 490 |     | M31            | boxster red                           |                                  |     |  |
|     | VRK            | black                    |                                  |     |  |     | P12            | cinnamon brown                        |                                  |     |  |
|     | S31            | savanna                  |                                  |     |  |     | D12            | dark grey/natural                     |                                  |     |  |
|     | C51            | graphite grey            |                                  |     |  | (2) | 996 645 986 05 | loudspeaker                           | /H/R 01-<br>/H/R 02-<br>/H/L 01- | 1   | COUPE M 441<br>TARGA M 441<br>CABRIO M 441 |
|     | G11            | metropole blue           |                                  |     |  |     | VRK            | black                                 |                                  |     |  |
|     | J31            | nephrite green           |                                  |     |  |     | S31            | savanna                               |                                  |     |  |
|     | M31            | boxster red              |                                  |     |  |     | C51            | graphite grey                         |                                  |     |  |
|     | P12            | cinnamon brown           |                                  |     |  |     | G11            | metropole blue                        |                                  |     |  |
|     | D12            | dark grey/natural        |                                  |     |  |     | J31            | nephrite green                        |                                  |     |  |
|     | T12            | brown/natural            |                                  |     |  |     | M31            | boxster red                           |                                  |     |  |
| (1) | 996 645 987 05 | loudspeaker              | /H/L 01-<br>/H/L 02-<br>/H/R 01- | 1   | COUPE M 441<br>TARGA M 441<br>CABRIO M 441 |     | P12            | cinnamon brown                        |                                  |     |  |
|     | VRK            | black                    |                                  |     |  |     | D12            | dark grey/natural                     |                                  |     |  |
|     | S31            | savanna                  |                                  |     |  |     | T12            | brown/natural                         |                                  |     |  |
|     | C51            | graphite grey            |                                  |     |  |     |                | loudspeaker rear light maple rootwood |                                  |     | XKM  |
|     | G11            | metropole blue           |                                  |     |  |     |                |                                       |                                  |     |  |
|     | J31            | nephrite green           |                                  |     |  | (1) | 996 645 989 01 | loudspeaker                           | /H/L 01-<br>/H/L 02-<br>/H/R 01- | 1   | COUPE M 490<br>TARGA M 490<br>CABRIO M 490 |
|     | M31            | boxster red              |                                  |     |  |     |                |                                       |                                  |     |  |
|     | P12            | cinnamon brown           |                                  |     |  |     | A03            | black                                 |                                  |     |  |

|       |      |    |    |              |              |        |       |            |         |     |         |
|-------|------|----|----|--------------|--------------|--------|-------|------------|---------|-----|---------|
| Model | Year | MG | SG | Illustration | Restrictions | Update | 11:51 | 25.11.2005 | PORSCHE | PET | PORSCHE |
| 996   | 05   | 9  | 11 | 911-05       |              | 194    |       |            |         |     |         |

| Pos | Part Number    | Name              | Remarks                          | Qty | Model                                      | Pos | Part Number    | Name                                       | Remarks                          | Qty | Model                                      |
|-----|----------------|-------------------|----------------------------------|-----|--|-----|----------------|--|----------------------------------|-----|--|
|     | C53            | graphite grey     |                                  |     |  |     | T12            | brown/natural                              |                                  |     |  |
|     | S33            | savanna           |                                  |     |  | (2) | 996 645 986 01 | loudspeaker                                | /H/R 01-<br>/H/R 02-<br>/H/L 01- | 1   | COUPE M 441<br>TARGA M 441<br>CABRIO M 441 |
|     | G13            | metropole blue    |                                  |     |  |     | A03            | black                                      |                                  |     |  |
|     | J33            | nephrite green    |                                  |     |  |     | C53            | graphite grey                              |                                  |     |  |
|     | M33            | boxster red       |                                  |     |  |     | S33            | savanna                                    |                                  |     |  |
|     | P13            | cinnamon brown    |                                  |     |  |     | G13            | metropole blue                             |                                  |     |  |
|     | D12            | dark grey/natural |                                  |     |  |     | J33            | nephrite green                             |                                  |     |  |
|     | T12            | brown/natural     |                                  |     |  |     | M33            | boxster red                                |                                  |     |  |
| (1) | 996 645 987 01 | loudspeaker       | /H/L 01-<br>/H/L 02-<br>/H/R 01- | 1   | COUPE M 441<br>TARGA M 441<br>CABRIOM 441  |     | P13            | cinnamon brown                             |                                  |     |  |
|     | A03            | black             |                                  |     |  |     | D12            | dark grey/natural                          |                                  |     |  |
|     | C53            | graphite grey     |                                  |     |  |     | T12            | brown/natural                              |                                  |     |  |
|     | S33            | savanna           |                                  |     |  |     |                | loudspeaker<br>rear<br>dark maple rootwood |                                  |     | XKN  |
|     | G13            | metropole blue    |                                  |     |  | (2) | 996 645 989 02 | loudspeaker                                | /H/L 01-<br>/H/L 02-<br>/H/R 01- | 1   | COUPE M 490<br>TARGA M 490<br>CABRIO M 490 |
|     | J33            | nephrite green    |                                  |     |  |     | A03            | black                                      |                                  |     |  |
|     | M33            | boxster red       |                                  |     |  |     | C53            | graphite grey                              |                                  |     |  |
|     | P13            | cinnamon brown    |                                  |     |  |     | S33            | savanna                                    |                                  |     |  |
|     | D12            | dark grey/natural |                                  |     |  |     | G13            | metropole blue                             |                                  |     |  |
|     | T12            | brown/natural     |                                  |     |  |     | J33            | nephrite green                             |                                  |     |  |
| (2) | 996 645 988 01 | loudspeaker       | /H/R 01-<br>/H/R 02-<br>/H/L 01- | 1   | COUPE M 490<br>TARGA M 490<br>CABRIO M 490 |     | M33            | boxster red                                |                                  |     |  |
|     | A03            | black             |                                  |     |  |     | P13            | cinnamon brown                             |                                  |     |  |
|     | C53            | graphite grey     |                                  |     |  |     | D12            | dark grey/natural                          |                                  |     |  |
|     | S33            | savanna           |                                  |     |  |     | T12            | brown/natural                              |                                  |     |  |
|     | G13            | metropole blue    |                                  |     |  | (2) | 996 645 987 02 | loudspeaker                                | /H/L 01-<br>/H/L 02-<br>/H/R 01- | 1   | COUPE M 441<br>TARGA M 441<br>CABRIO M 441 |
|     | J33            | nephrite green    |                                  |     |  |     | A03            | black                                      |                                  |     |  |
|     | M33            | boxster red       |                                  |     |  |     | C53            | graphite grey                              |                                  |     |  |
|     | P13            | cinnamon brown    |                                  |     |  |     |                |  |                                  |     |  |
|     | D12            | dark grey/natural |                                  |     |  |     |                |  |                                  |     |  |

|       |      |    |    |              |              |        |       |            |         |     |         |
|-------|------|----|----|--------------|--------------|--------|-------|------------|---------|-----|---------|
| Model | Year | MG | SG | Illustration | Restrictions | Update | 11:51 | 25.11.2005 | PORSCHE | PET | PORSCHE |
| 996   | 05   | 9  | 11 | 911-05       |              | 194    |       |            |         |     |         |

| Pos | Part Number    | Name              | Remarks                          | Qty | Model                                      | Pos | Part Number    | Name                    | Remarks                          | Qty | Model                                      |
|-----|----------------|-------------------|----------------------------------|-----|--|-----|----------------|-------------------------|----------------------------------|-----|--|
|     | S33            | savanna           |                                  |     |  |     |                | loudspeaker rear carbon |                                  |     | XKP  |
|     | G13            | metropole blue    |                                  |     |  |     |                |                         |                                  |     |  |
|     | J33            | nephrite green    |                                  |     |  | (1) | 996 645 989 03 | loudspeaker             | /H/L 01-<br>/H/L 02-<br>/H/R 01- | 1   | COUPE M 490<br>TARGA M 490<br>CABRIO M 490 |
|     | M33            | boxster red       |                                  |     |  |     | A03            | black                   |                                  |     |  |
|     | P13            | cinnamon brown    |                                  |     |  |     | C53            | graphite grey           |                                  |     |  |
|     | D12            | dark grey/natural |                                  |     |  |     | S33            | savanna                 |                                  |     |  |
|     | T12            | brown/natural     |                                  |     |  |     | G13            | metropole blue          |                                  |     |  |
| (2) | 996 645 988 02 | loudspeaker       | /H/R 01-<br>/H/R 02-<br>/H/L 01- | 1   | COUPE M 490<br>TARGA M 490<br>CABRIO M 490 |     | J33            | nephrite green          |                                  |     |  |
|     | A03            | black             |                                  |     |  |     | M33            | boxster red             |                                  |     |  |
|     | C53            | graphite grey     |                                  |     |  |     | P13            | cinnamon brown          |                                  |     |  |
|     | S33            | savanna           |                                  |     |  |     | D12            | dark grey/natural       |                                  |     |  |
|     | G13            | metropole blue    |                                  |     |  |     | T12            | brown/natural           |                                  |     |  |
|     | J33            | nephrite green    |                                  |     |  | (1) | 996 645 987 03 | loudspeaker             | /H/L 01-<br>/H/L 02-<br>/H/R 01- | 1   | COUPE M 441<br>TARGA M 441<br>CABRIO M 441 |
|     | M33            | boxster red       |                                  |     |  |     | A03            | black                   |                                  |     |  |
|     | P13            | cinnamon brown    |                                  |     |  |     | C53            | graphite grey           |                                  |     |  |
|     | D12            | dark grey/natural |                                  |     |  |     | S33            | savanna                 |                                  |     |  |
|     | T12            | brown/natural     |                                  |     |  |     | G13            | metropole blue          |                                  |     |  |
| (2) | 996 645 986 02 | loudspeaker       | /H/R 01-<br>/H/R 02-<br>/H/L 01- | 1   | COUPE M 441<br>TARGA M 441<br>CABRIO M 441 |     | J33            | nephrite green          |                                  |     |  |
|     | A03            | black             |                                  |     |  |     | M33            | boxster red             |                                  |     |  |
|     | C53            | graphite grey     |                                  |     |  |     | P13            | cinnamon brown          |                                  |     |  |
|     | S33            | savanna           |                                  |     |  |     | D12            | dark grey/natural       |                                  |     |  |
|     | G13            | metropole blue    |                                  |     |  |     | T12            | brown/natural           |                                  |     |  |
|     | J33            | nephrite green    |                                  |     |  | (2) | 996 645 988 03 | loudspeaker             | /H/R 01-<br>/H/R 02-<br>/H/L 01- | 1   | COUPE M 490<br>TARGA M 490<br>CABRIO M 490 |
|     | M33            | boxster red       |                                  |     |  |     | A03            | black                   |                                  |     |  |
|     | P13            | cinnamon brown    |                                  |     |  |     | C53            | graphite grey           |                                  |     |  |
|     | D12            | dark grey/natural |                                  |     |  |     | S33            | savanna                 |                                  |     |  |
|     | T12            | brown/natural     |                                  |     |  |     |                |                         |                                  |     |  |

|       |      |    |    |              |              |        |       |            |         |     |         |
|-------|------|----|----|--------------|--------------|--------|-------|------------|---------|-----|---------|
| Model | Year | MG | SG | Illustration | Restrictions | Update | 11:51 | 25.11.2005 | PORSCHE | PET | PORSCHE |
| 996   | 05   | 9  | 11 | 911-05       |              | 194    |       |            |         |     |         |

| Pos | Part Number    | Name                        | Remarks                          | Qty | Model                                      | Pos  | Part Number    | Name   | Remarks | Qty | Model     |
|-----|----------------|-----------------------------|----------------------------------|-----|--|------|----------------|--|---------|-----|-----------|
|     | G13            | metropole blue              |                                  |     |  | 6    | 996 645 501 00 | woofer   | -02     | 2   | M 490     |
|     | J33            | nephrite green              |                                  |     |  | 6    | 996 645 502 00 | woofer   | 03-     | 2   | M 490     |
|     | M33            | boxster red                 |                                  |     |  | 7    | 996 645 550 00 | grille   |         | 2   | M 490     |
|     | P13            | cinnamon brown              |                                  |     |  | (8)  | 999 919 176 07 | oval-head screw<br>4,0 X 16  |         | 8   | M 490     |
|     | D12            | dark grey/natural           |                                  |     |  | 9    | 999 919 123 09 | oval-head screw<br>5,0 X 20  | 98      | 8   | M 490     |
|     | T12            | brown/natural               |                                  |     |  | (9)  | 999 073 061 02 | tapping screw<br>ST 4,8 X 16<br>only together with<br>999.591.499.02 | -00     | 8   | M 490     |
| (2) | 996 645 986 03 | loudspeaker                 | /H/R 01-<br>/H/R 02-<br>/H/L 01- | 1   | COUPE M 441<br>TARGA M 441<br>CABRIO M 441 | 10   | 999 920 013 40 | special nut<br>5,0   | 98      | 8   | M 490     |
|     | A03            | black                       |                                  |     |  | (10) | 999 591 499 02 | speed nut<br>4,8<br>only together with<br>999.073.061.02             | -00     | 8   | M 490     |
|     | C53            | graphite grey               |                                  |     |  | 11   | 996 555 801 01 | loudspeaker grille   |         | 2   | M 490     |
|     | S33            | savanna                     |                                  |     |  |      | D05            | granite grey   | -99     |     |           |
|     | G13            | metropole blue              |                                  |     |  |      | A03            | black  | 00-     |     |           |
|     | J33            | nephrite green              |                                  |     |  | (11) | 000 043 206 22 | loudspeaker grille<br>leather  | 01-     | 2   | M 490/XKL |
|     | M33            | boxster red                 |                                  |     |  |      | VRK            | black  |         |     |           |
|     | P13            | cinnamon brown              |                                  |     |  |      | S31            | savanna  |         |     |           |
|     | D12            | dark grey/natural           |                                  |     |  |      | C51            | graphite grey  |         |     |           |
|     | T12            | brown/natural               |                                  |     |  |      | G11            | metropole blue   |         |     |           |
| 3   | 999 919 166 07 | oval-head screw<br>4,0 X 30 | -01                              | 8   |  |      | J31            | nephrite green   |         |     |           |
| 3   | 999 919 166 07 | oval-head screw<br>4,0 X 30 | /H 02-                           | 4   |  |      | M31            | boxster red  |         |     |           |
| (3) | 999 073 224 09 | tapping screw<br>4,2 X 25   | /V 02-                           | 4   |  |      | P12            | cinnamon brown   |         |     |           |
| 4   | 999 920 015 40 | special nut<br>4,0          | -01                              | 8   |  |      | D12            | dark grey/natural  |         |     |           |
| 4   | 999 920 015 40 | special nut<br>4,0          | /H 02-                           | 4   |  |      | T12            | brown/natural  |         |     |           |
| (4) | 999 507 767 02 | speed nut<br>4,2            | /V 02-                           | 2   |  | (11) | 000 043 206 23 | loudspeaker grille<br>light maple rootwood                           | /L 01-  | 1   | M 490/XKM |
| (4) | 999 507 768 02 | speed nut<br>4,2            | /V 02-                           | 2   |  |      | A03            | black  |         |     |           |
| (5) | 996 645 011 01 | loudspeaker                 | /L -00                           | 1   | M 490                                      |      | C53            | graphite grey  |         |     |           |
| 5   | 996 645 012 01 | loudspeaker                 | /R -00                           | 1   | M 490                                      |      |                |  |         |     |           |

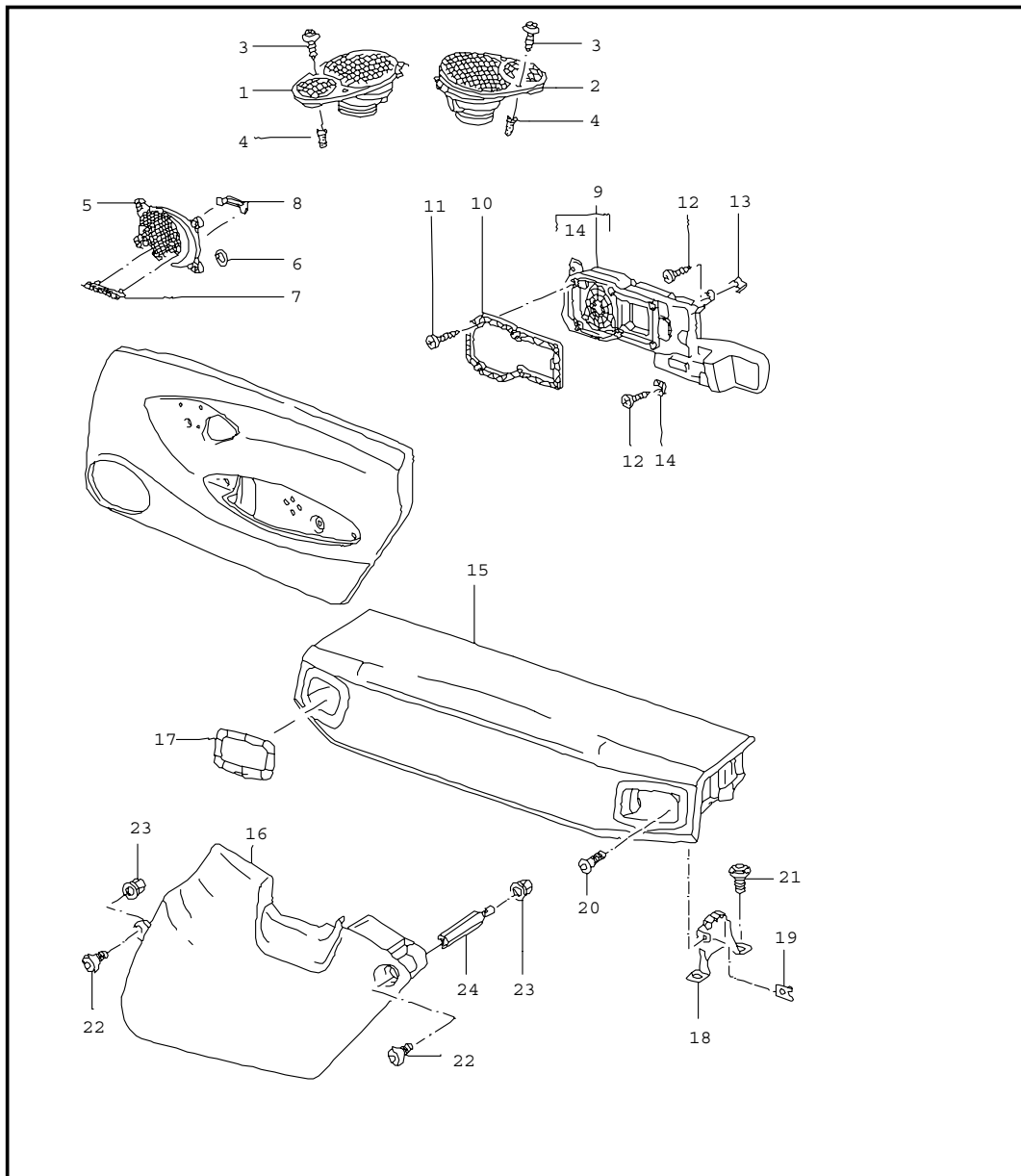
|       |      |    |    |              |              |        |       |            |         |     |         |
|-------|------|----|----|--------------|--------------|--------|-------|------------|---------|-----|---------|
| Model | Year | MG | SG | Illustration | Restrictions | Update | 11:51 | 25.11.2005 | PORSCHE | PET | PORSCHE |
| 996   | 05   | 9  | 11 | 911-05       |              | 194    |       |            |         |     |         |

| Pos  | Part Number    | Name                                       | Remarks | Qty | Model     | Pos  | Part Number    | Name                         | Remarks | Qty | Model     |
|------|----------------|--|---------|-----|-----------|------|----------------|------------------------------|---------|-----|-----------|
|      | S33            | savanna                                    |         |     |           |      | A03            | black                        |         |     |           |
|      | G13            | metropole blue                             |         |     |           |      | C53            | graphite grey                |         |     |           |
|      | J33            | nephrite green                             |         |     |           |      | S33            | savanna                      |         |     |           |
|      | M33            | boxster red                                |         |     |           |      | G13            | metropole blue               |         |     |           |
|      | P13            | cinnamon brown                             |         |     |           |      | J33            | nephrite green               |         |     |           |
|      | D12            | dark grey/natural                          |         |     |           |      | M33            | boxster red                  |         |     |           |
|      | T12            | brown/natural                              |         |     |           |      | P13            | cinnamon brown               |         |     |           |
| (11) | 000 043 206 49 | loudspeaker grille<br>light maple rootwood | /R 01-  | 1   | M 490/XKM |      | D12            | dark grey/natural            |         |     |           |
|      | A03            | black                                      |         |     |           |      | T12            | brown/natural                |         |     |           |
|      | C53            | graphite grey                              |         |     |           | (11) | 000 043 206 25 | loudspeaker grille<br>carbon | /L 01-  | 1   | M 490/XKP |
|      | S33            | savanna                                    |         |     |           |      | A03            | black                        |         |     |           |
|      | G13            | metropole blue                             |         |     |           |      | C53            | graphite grey                |         |     |           |
|      | J33            | nephrite green                             |         |     |           |      | S33            | savanna                      |         |     |           |
|      | M33            | boxster red                                |         |     |           |      | G13            | metropole blue               |         |     |           |
|      | P13            | cinnamon brown                             |         |     |           |      | J33            | nephrite green               |         |     |           |
|      | D12            | dark grey/natural                          |         |     |           |      | M33            | boxster red                  |         |     |           |
|      | T12            | brown/natural                              |         |     |           |      | P13            | cinnamon brown               |         |     |           |
| (11) | 000 043 206 24 | loudspeaker grille<br>dark maple rootwood  | /L 01-  | 1   | M 490/XKN |      | D12            | dark grey/natural            |         |     |           |
|      | A03            | black                                      |         |     |           |      | T12            | brown/natural                |         |     |           |
|      | C53            | graphite grey                              |         |     |           | (11) | 000 043 206 51 | loudspeaker grille<br>carbon | /R 01-  | 1   | M 490/XKP |
|      | S33            | savanna                                    |         |     |           |      | A03            | black                        |         |     |           |
|      | G13            | metropole blue                             |         |     |           |      | C53            | graphite grey                |         |     |           |
|      | J33            | nephrite green                             |         |     |           |      | S33            | savanna                      |         |     |           |
|      | M33            | boxster red                                |         |     |           |      | G13            | metropole blue               |         |     |           |
|      | P13            | cinnamon brown                             |         |     |           |      | J33            | nephrite green               |         |     |           |
|      | D12            | dark grey/natural                          |         |     |           |      | M33            | boxster red                  |         |     |           |
|      | T12            | brown/natural                              |         |     |           |      | P13            | cinnamon brown               |         |     |           |
| (11) | 000 043 206 50 | loudspeaker grille<br>dark maple rootwood  | /R 01-  | 1   | M 490/XKN |      | D12            | dark grey/natural            |         |     |           |

|       |      |    |    |              |              |        |       |            |         |     |         |
|-------|------|----|----|--------------|--------------|--------|-------|------------|---------|-----|---------|
| Model | Year | MG | SG | Illustration | Restrictions | Update | 11:51 | 25.11.2005 | PORSCHE | PET | PORSCHE |
| 996   | 05   | 9  | 11 | 911-05       |              | 194    |       |            |         |     |         |

| Pos  | Part Number    | Name                        | Remarks | Qty | Model | Pos | Part Number | Name | Remarks | Qty | Model |
|------|----------------|-----------------------------|---------|-----|-------|-----|-------------|------|---------|-----|-------|
|      | T12            | brown/natural               |         |     |       |     |             |      |         |     |       |
| 12   | 999 591 946 02 | clamping washer<br>5,0      |         | 8   | M 490 |     |             |      |         |     |       |
| 13   | 996 645 551 00 | loudspeaker                 | /L -02  | 1   | M 490 |     |             |      |         |     |       |
| 13   | 996 645 551 01 | loudspeaker                 | /L 03-  | 1   | M 490 |     |             |      |         |     |       |
| (13) | 996 645 552 00 | loudspeaker                 | /R -02  | 1   | M 490 |     |             |      |         |     |       |
| (13) | 996 645 552 01 | loudspeaker                 | /R 03-  | 1   | M 490 |     |             |      |         |     |       |
| 14   | 996 645 553 00 | frame                       | 01-     | 2   | M 490 |     |             |      |         |     |       |
| 15   | 999 919 086 02 | oval-head screw<br>4,0 X 14 | 01-     | 12  | M 490 |     |             |      |         |     |       |
| 16   | 999 073 061 02 | tapping screw<br>4,8 X 16   | 01-     | 8   | M 490 |     |             |      |         |     |       |
| 17   | 999 591 499 02 | speed nut<br>4,8            | 01-     | 6   | M 490 |     |             |      |         |     |       |
| 18   | 999 507 759 09 | speed nut<br>4,8            | 01-     | 2   | M 490 |     |             |      |         |     |       |
|      |                | - - - E N D - - -           |         |     |       |     |             |      |         |     |       |

|       |      |    |    |              |              |        |       |            |         |     |         |
|-------|------|----|----|--------------|--------------|--------|-------|------------|---------|-----|---------|
| Model | Year | MG | SG | Illustration | Restrictions | Update | 11:52 | 25.11.2005 | PORSCHE | PET | PORSCHE |
| 996   | 05   | 9  | 11 | 911-06       |              | 194    |       |            |         |     |         |



| Pos | Part Number    | Name           | Remarks              | Qty | Model                                      |
|-----|----------------|----------------|----------------------|-----|--|
| 1   | 996 645 033 00 | loudspeaker    | 02-<br>/V/L          | 1   | M 680                                      |
|     | C50            | graphite grey  |                      |     |  |
|     | G10            | metropole blue |                      |     |  |
|     | J30            | nephrite green |                      |     |  |
|     | M30            | boxster red    |                      |     |  |
|     | S30            | savanna        |                      |     |  |
|     | P10            | cinnamon brown |                      |     |  |
| (1) | 996 645 044 00 | loudspeaker    | /H/L<br>/H/L<br>/H/R | 1   | COUPE M 680<br>TARGA M 680<br>CABRIO M 680 |
|     | C50            | graphite grey  |                      |     |  |
|     | G10            | metropole blue |                      |     |  |
|     | J30            | nephrite green |                      |     |  |
|     | M30            | boxster red    |                      |     |  |
|     | S30            | savanna        |                      |     |  |
|     | P10            | cinnamon brown |                      |     |  |
| 2   | 996 645 034 00 | loudspeaker    | /V/R                 | 1   | M 680                                      |
|     | C50            | graphite grey  |                      |     |  |
|     | G10            | metropole blue |                      |     |  |
|     | J30            | nephrite green |                      |     |  |
|     | M30            | boxster red    |                      |     |  |
|     | S30            | savanna        |                      |     |  |
|     | P10            | cinnamon brown |                      |     |  |
| (2) | 996 645 043 00 | loudspeaker    | /H/R<br>/H/R<br>/H/L | 1   | COUPE M 680<br>TARGA M 680<br>CABRIO M 680 |
|     | C50            | graphite grey  |                      |     |  |
|     | G10            | metropole blue |                      |     |  |
|     | J30            | nephrite green |                      |     |  |
|     | M30            | boxster red    |                      |     |  |



|       |      |    |    |              |              |        |       |            |         |     |         |
|-------|------|----|----|--------------|--------------|--------|-------|------------|---------|-----|---------|
| Model | Year | MG | SG | Illustration | Restrictions | Update | 11:52 | 25.11.2005 | PORSCHE | PET | PORSCHE |
| 996   | 05   | 9  | 11 | 911-06       |              | 194    |       |            |         |     |         |

| Pos | Part Number    | Name                      | Remarks              | Qty | Model                                      | Pos | Part Number    | Name                     | Remarks              | Qty | Model                                      |
|-----|----------------|---------------------------|----------------------|-----|--|-----|----------------|--------------------------|----------------------|-----|--|
|     | S30            | savanna                   |                      |     |  |     | J31            | nephrite green           |                      |     |  |
|     | P10            | cinnamon brown            |                      |     |  |     | M31            | boxster red              |                      |     |  |
| 1   | 996 645 033 01 | loudspeaker               | /V/L                 | 1   | M 680                                      |     | P12            | cinnamon brown           |                      |     |  |
|     | 01C            | satin black               |                      |     |  |     | D12            | dark grey/natural        |                      |     |  |
| (1) | 996 645 044 01 | loudspeaker               | /H/L<br>/H/L<br>/H/R | 1   | COUPE M 680<br>TARGA M 680<br>CABRIO M 680 |     | T12            | brown/natural            |                      |     |  |
|     | 01C            | satin black               |                      |     |  |     |                | loudspeaker rear leather |                      |     | XKL  |
| 2   | 996 645 034 01 | loudspeaker               | /V/R                 | 1   | M 680                                      | (1) | 996 645 989 06 | loudspeaker              | /H/L<br>/H/L<br>/H/R | 1   | COUPE M 680<br>TARGA M 680<br>CABRIO M 680 |
|     | 01C            | satin black               |                      |     |  |     | VRK            | black                    |                      |     |  |
| (2) | 996 645 043 01 | loudspeaker               | /H/R<br>/H/R<br>/H/L | 1   | COUPE M 680<br>TARGA M 680<br>CABRIO M 680 |     | S31            | savanna                  |                      |     |  |
|     | 01C            | satin black               |                      |     |  |     | C51            | graphite grey            |                      |     |  |
|     |                | loudspeaker front leather |                      |     | XKL/XKM/XKN/<br>XKP                        |     | G11            | metropole blue           |                      |     |  |
| 1   | 996 645 983 02 | loudspeaker               | /V/L                 | 1   | M 680                                      |     | J31            | nephrite green           |                      |     |  |
|     | VRK            | black                     |                      |     |  |     | M31            | boxster red              |                      |     |  |
|     | S31            | savanna                   |                      |     |  |     | P12            | cinnamon brown           |                      |     |  |
|     | C51            | graphite grey             |                      |     |  |     | D12            | dark grey/natural        |                      |     |  |
|     | G11            | metropole blue            |                      |     |  | (2) | 996 645 988 06 | loudspeaker              | /H/R<br>/H/R<br>/H/L | 1   | COUPE M 680<br>TARGA M 680<br>CABRIO M 680 |
|     | J31            | nephrite green            |                      |     |  |     | VRK            | black                    |                      |     |  |
|     | M31            | boxster red               |                      |     |  |     | S31            | savanna                  |                      |     |  |
|     | P12            | cinnamon brown            |                      |     |  |     | C51            | graphite grey            |                      |     |  |
|     | D12            | dark grey/natural         |                      |     |  |     | G11            | metropole blue           |                      |     |  |
|     | T12            | brown/natural             |                      |     |  |     | J31            | nephrite green           |                      |     |  |
| 2   | 996 645 984 02 | loudspeaker               | /V/R                 | 1   | M 680                                      |     | M31            | boxster red              |                      |     |  |
|     | VRK            | black                     |                      |     |  |     | P12            | cinnamon brown           |                      |     |  |
|     | S31            | savanna                   |                      |     |  |     | D12            | dark grey/natural        |                      |     |  |
|     | C51            | graphite grey             |                      |     |  |     | T12            | brown/natural            |                      |     |  |
|     | G11            | metropole blue            |                      |     |  |     |                |                          |                      |     |  |

|       |      |    |    |              |              |        |       |            |         |     |         |
|-------|------|----|----|--------------|--------------|--------|-------|------------|---------|-----|---------|
| Model | Year | MG | SG | Illustration | Restrictions | Update | 11:52 | 25.11.2005 | PORSCHE | PET | PORSCHE |
| 996   | 05   | 9  | 11 | 911-06       |              | 194    |       |            |         |     |         |

| Pos | Part Number    | Name  | Remarks | Qty | Model        | Pos | Part Number    | Name                  | Remarks | Qty | Model        |
|-----|----------------|---|---------|-----|--------------|-----|----------------|-----------------------|---------|-----|--------------|
| (1) | 996 645 989 07 | loudspeaker<br>rear<br>light maple rootwood |         |     | XKM          |     | C53            | graphite grey         |         |     |              |
|     |                | A03 black                                   | /H/L    | 1   | COUPE M 680  |     | S33            | savanna               |         |     |              |
|     |                | C53 graphite grey                           | /H/L    |     | TARGA M 680  |     | G13            | metropole blue        |         |     |              |
|     |                | S33 savanna                                 | /H/R    |     | CABRIO M 680 |     | J33            | nephrite green        |         |     |              |
|     |                | G13 metropole blue                          |         |     |              |     | M33            | boxster red           |         |     |              |
|     |                | J33 nephrite green                          |         |     |              |     | P13            | cinnamon brown        |         |     |              |
|     |                | M33 boxster red                             |         |     |              |     | D12            | dark grey/natural     |         |     |              |
|     |                | P13 cinnamon brown                          |         |     |              |     | T12            | brown/natural         |         |     |              |
|     |                | D12 dark grey/natural                       |         |     |              | (2) | 996 645 988 08 | loudspeaker           | /H/R    | 1   | COUPE M 680  |
|     |                | T12 brown/natural                           |         |     |              |     |                | A03 black             | /H/R    |     | TARGA M 680  |
| (2) | 996 645 988 07 | loudspeaker                                 | /H/R    | 1   | COUPE M 680  |     |                | C53 graphite grey     | /H/L    |     | CABRIO M 680 |
|     |                | A03 black                                   | /H/R    |     | TARGA M 680  |     |                | S33 savanna           |         |     |              |
|     |                | C53 graphite grey                           | /H/L    |     | CABRIO M 680 |     |                | G13 metropole blue    |         |     |              |
|     |                | S33 savanna                                 |         |     |              |     |                | J33 nephrite green    |         |     |              |
|     |                | G13 metropole blue                          |         |     |              |     |                | M33 boxster red       |         |     |              |
|     |                | J33 nephrite green                          |         |     |              |     |                | P13 cinnamon brown    |         |     |              |
|     |                | M33 boxster red                             |         |     |              |     |                | D12 dark grey/natural |         |     |              |
|     |                | P13 cinnamon brown                          |         |     |              |     |                | T12 brown/natural     |         |     |              |
|     |                | D12 dark grey/natural                       |         |     |              |     |                | loudspeaker           |         |     | XKP          |
|     |                | T12 brown/natural                           |         |     |              |     |                | rear                  |         |     |              |
|     |                | loudspeaker                                 |         |     |              |     |                | carbon                |         |     |              |
|     |                | rear  |         |     |              | (1) | 996 645 989 09 | loudspeaker           | /H/L    | 1   | COUPE M 680  |
|     |                | dark maple rootwood                         |         |     |              |     |                | A03 black             | /H/L    |     | TARGA M 680  |
|     |                | loudspeaker                                 |         |     |              |     |                | C53 graphite grey     | /H/R    |     | CABRIO M 680 |
|     |                | rear  |         |     |              |     |                | S33 savanna           |         |     |              |
|     |                | dark maple rootwood                         |         |     |              |     |                | G13 metropole blue    |         |     |              |
| (1) | 996 645 989 08 | loudspeaker                                 | /H/L    | 1   | COUPE M 680  |     |                | J33 nephrite green    |         |     |              |
|     |                | A03 black                                   | /H/L    |     | TARGA M 680  |     |                | M33 boxster red       |         |     |              |
|     |                |   | /H/R    |     | CABRIO M 680 |     |                |                       |         |     |              |
|     |                |   |         |     |              |     |                |                       |         |     |              |

|       |      |    |    |              |              |        |       |            |         |     |         |
|-------|------|----|----|--------------|--------------|--------|-------|------------|---------|-----|---------|
| Model | Year | MG | SG | Illustration | Restrictions | Update | 11:52 | 25.11.2005 | PORSCHE | PET | PORSCHE |
| 996   | 05   | 9  | 11 | 911-06       |              | 194    |       |            |         |     |         |

| Pos | Part Number    | Name                          | Remarks              | Qty | Model                                      | Pos  | Part Number    | Name                                       | Remarks | Qty | Model     |
|-----|----------------|-------------------------------|----------------------|-----|--|--|----------------|--|---------|-----|-----------|
| (2) | P13            | cinnamon brown                |                      |     | COUPE M 680<br>TARGA M 680<br>CABRIO M 680 | (5)  | J31            | nephrite green                             |         | 1   | M 680/XKM |
|     | D12            | dark grey/natural             |                      |     |  |  | M31            | boxster red                                |         |     |           |
|     | T12            | brown/natural                 |                      |     |  |  | P12            | cinnamon brown                             |         |     |           |
|     | 996 645 988 09 | loudspeaker                   | /H/R<br>/H/R<br>/H/L | 1   |  |  | D12            | dark grey/natural                          |         |     |           |
|     | A03            | black                         |                      |     |  |  | T12            | brown/natural                              |         |     |           |
|     | C53            | graphite grey                 |                      |     |  |  | 000 043 206 23 | loudspeaker grille<br>light maple rootwood | /L      |     |           |
|     | S33            | savanna                       |                      |     |  |  | A03            | black                                      |         |     |           |
|     | G13            | metropole blue                |                      |     |  |  | C53            | graphite grey                              |         |     |           |
|     | J33            | nephrite green                |                      |     |  |  | S33            | savanna                                    |         |     |           |
|     | M33            | boxster red                   |                      |     |  |  | G13            | metropole blue                             |         |     |           |
|     | P13            | cinnamon brown                |                      |     |  |  | J33            | nephrite green                             |         |     |           |
|     | D12            | dark grey/natural             |                      |     |  |  | M33            | boxster red                                |         |     |           |
|     | T12            | brown/natural                 |                      |     |  |  | P13            | cinnamon brown                             |         |     |           |
| 3   | 999 919 166 07 | oval-head screw<br>4,0 X 30   | /H                   | 4   | D12  | dark grey/natural                          |                |  |         |     |           |
| (3) | 999 073 224 09 | tapping screw<br>4,2 X 25     | /V                   | 4   | T12  | brown/natural                              |                |  |         |     |           |
| 4   | 999 920 015 40 | special nut<br>4,0            | /H                   | 4   | 000 043 206 49                             | loudspeaker grille<br>light maple rootwood | /R             |  |         |     |           |
| (4) | 999 507 767 02 | speed nut<br>4,2              | /V                   | 2   | A03  | black                                      |                |  |         |     |           |
| (4) | 999 507 768 02 | speed nut<br>4,2              | /V                   | 2   | C53  | graphite grey                              |                |  |         |     |           |
| 5   | 996 555 801 01 | loudspeaker grille            |                      | 2   | S33  | savanna                                    |                |  |         |     |           |
| (5) | A03            | black                         |                      |     | G13  | metropole blue                             |                |  |         |     |           |
|     | 000 043 206 22 | loudspeaker grille<br>leather |                      | 2   | J33  | nephrite green                             |                |  |         |     |           |
|     | VRK            | black                         |                      |     | M33  | boxster red                                |                |  |         |     |           |
|     | S31            | savanna                       |                      |     | P13  | cinnamon brown                             |                |  |         |     |           |
|     | C51            | graphite grey                 |                      |     | D12  | dark grey/natural                          |                |  |         |     |           |
|     | G11            | metropole blue                |                      |     | T12  | brown/natural                              |                |  |         |     |           |
| (5) |                |                               |                      |     | 000 043 206 24                             | loudspeaker grille<br>dark maple rootwood  | /L             |  |         |     |           |
|     |                |                               |                      |     | A03  | black                                      |                |  |         |     |           |
|     |                |                               |                      |     | C53  | graphite grey                              |                |  |         |     |           |

|       |      |    |    |              |              |        |       |            |         |     |         |
|-------|------|----|----|--------------|--------------|--------|-------|------------|---------|-----|---------|
| Model | Year | MG | SG | Illustration | Restrictions | Update | 11:52 | 25.11.2005 | PORSCHE | PET | PORSCHE |
| 996   | 05   | 9  | 11 | 911-06       |              | 194    |       |            |         |     |         |

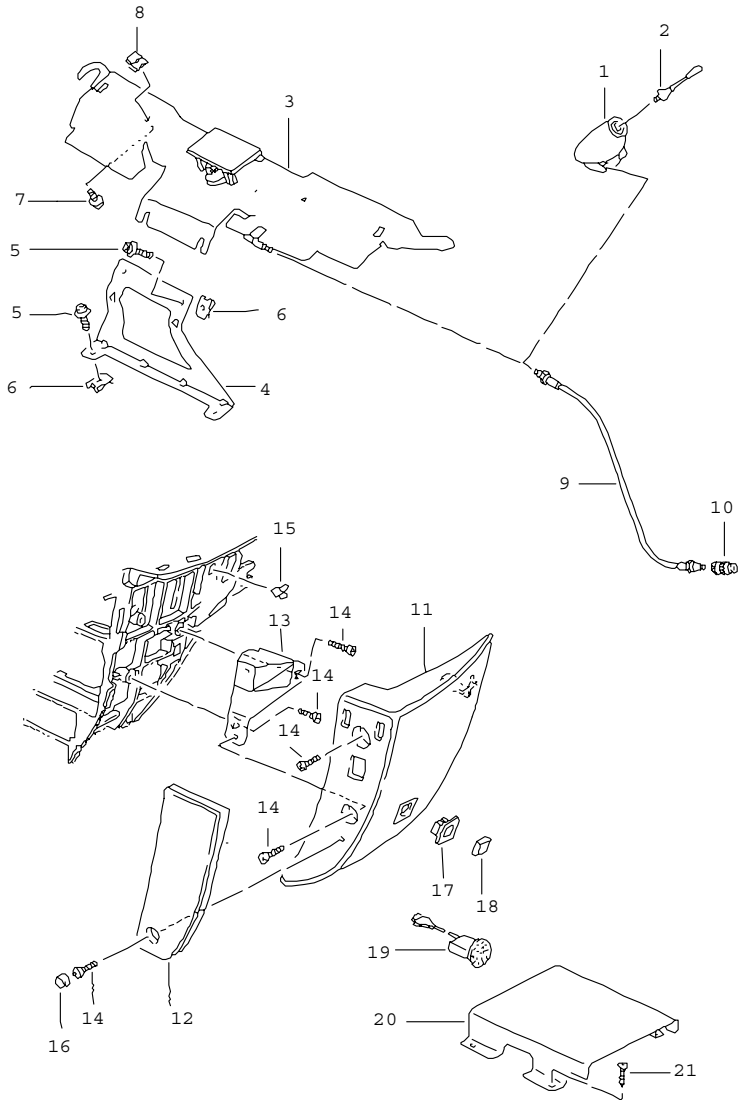
| Pos | Part Number    | Name                                      | Remarks | Qty | Model     | Pos | Part Number    | Name                        | Remarks | Qty | Model       |
|-----|----------------|---|---------|-----|-----------|-----|----------------|-----------------------------|---------|-----|-------------|
|     | S33            | savanna                                   |         |     |           |     | A03            | black                       |         |     |             |
|     | G13            | metropole blue                            |         |     |           |     | C53            | graphite grey               |         |     |             |
|     | J33            | nephrite green                            |         |     |           |     | S33            | savanna                     |         |     |             |
|     | M33            | boxster red                               |         |     |           |     | G13            | metropole blue              |         |     |             |
|     | P13            | cinnamon brown                            |         |     |           |     | J33            | nephrite green              |         |     |             |
|     | D12            | dark grey/natural                         |         |     |           |     | M33            | boxster red                 |         |     |             |
|     | T12            | brown/natural                             |         |     |           |     | P13            | cinnamon brown              |         |     |             |
| (5) | 000 043 206 50 | loudspeaker grille<br>dark maple rootwood | /R      | 1   | M 680/XKN |     | D12            | dark grey/natural           |         |     |             |
|     | A03            | black                                     |         |     |           |     | T12            | brown/natural               |         |     |             |
|     | C53            | graphite grey                             |         |     |           | 6   | 999 591 946 02 | clamping washer<br>5,0      |         | 8   | M 680       |
|     | S33            | savanna                                   |         |     |           | 7   | 996 645 511 00 | logo                        |         | 2   | M 680       |
|     | G13            | metropole blue                            |         |     |           | 8   | 996 645 512 00 | clip                        |         | 2   | M 680       |
|     | J33            | nephrite green                            |         |     |           | 9   | 996 645 561 00 | loudspeaker                 | /L      | 1   | M 680       |
|     | M33            | boxster red                               |         |     |           | (9) | 996 645 562 00 | loudspeaker                 | /R      | 1   | M 680       |
|     | P13            | cinnamon brown                            |         |     |           | 10  | 996 645 553 00 | frame                       |         | 2   | M 680       |
|     | D12            | dark grey/natural                         |         |     |           | 11  | 999 919 086 02 | oval-head screw<br>4,0 X 14 |         | 12  | M 680       |
|     | T12            | brown/natural                             |         |     |           | 12  | 999 073 061 02 | tapping screw<br>4,8 X 16   |         | 8   | M 680       |
| (5) | 000 043 206 25 | loudspeaker grille<br>carbon              | /L      | 1   | M 680/XKP | 13  | 999 591 499 02 | speed nut<br>4,8            |         | 6   | M 680       |
|     | A03            | black                                     |         |     |           | 14  | 999 507 759 09 | speed nut<br>4,8            |         | 2   | M 680       |
|     | C53            | graphite grey                             |         |     |           |     |                | subwoofer                   |         |     | M 680       |
|     | S33            | savanna                                   |         |     |           | 15  | 996 645 564 00 | subwoofer                   | /H      | 1   | COUPE M 680 |
|     | G13            | metropole blue                            |         |     |           |     | FFB            | black                       |         |     |             |
|     | J33            | nephrite green                            |         |     |           |     | FFC            | graphite grey               |         |     |             |
|     | M33            | boxster red                               |         |     |           |     | FFD            | savanna                     |         |     |             |
|     | P13            | cinnamon brown                            |         |     |           |     | FFE            | metropole blue              |         |     |             |
|     | D12            | dark grey/natural                         |         |     |           |     | FFG            | nephrite green              |         |     |             |
|     | T12            | brown/natural                             |         |     |           |     | FFH            | boxster red                 |         |     |             |
| (5) | 000 043 206 51 | loudspeaker grille<br>carbon              | /R      | 1   | M 608/XKP |     |                |                             |         |     |             |

|       |      |    |    |              |              |        |       |            |         |     |         |
|-------|------|----|----|--------------|--------------|--------|-------|------------|---------|-----|---------|
| Model | Year | MG | SG | Illustration | Restrictions | Update | 11:52 | 25.11.2005 | PORSCHE | PET | PORSCHE |
| 996   | 05   | 9  | 11 | 911-06       |              | 194    |       |            |         |     |         |

| Pos  | Part Number    | Name                  | Remarks    | Qty | Model                       | Pos  | Part Number    | Name                              | Remarks | Qty | Model                       |
|------|----------------|-----------------------|------------|-----|-----------------------------|------|----------------|-----------------------------------|---------|-----|-----------------------------|
|      |                | FFJ cinnamon brown    |            |     |                             |      | J30            | nephrite green                    |         |     |                             |
|      |                | VSP dark grey/natural |            |     |                             |      | M30            | boxster red                       |         |     |                             |
|      |                | VSQ brown/natural     |            |     |                             |      | P10            | cinnamon brown                    |         |     |                             |
| 16   | 996 645 567 00 | subwoofer             | /LL<br>/LL | 1   | CABRIO M 680<br>TARGA M 680 | (18) | 996 645 245 00 | support                           | /L      | 1   | COUPE M 680                 |
|      | A10            | black                 |            |     |                             | 18   | 996 645 246 00 | support                           | /R      | 1   | COUPE M 680                 |
|      | C50            | graphite grey         |            |     |                             | 19   | 999 507 766 02 | speed nut<br>M 6                  |         | 2   | COUPE M 680                 |
|      | S30            | savanna               |            |     |                             | 20   | 999 073 113 09 | oval-head screw<br>M 6,0 X 50 ASP |         | 2   | COUPE M 680                 |
|      | G10            | metropole blue        |            |     |                             | 21   | 900 380 015 09 | hexagon nut<br>VM 6               |         | 4   | COUPE M 680                 |
|      | J30            | nephrite green        |            |     |                             | 22   | 999 073 223 07 | oval-head screw<br>M 6,0 X 25     |         | 2   | CABRIO M 680<br>TARGA M 680 |
|      | M30            | boxster red           |            |     |                             | 23   | 999 500 069 02 | blind rivet nut<br>M 6/0,5 - 3    |         | 2   | CABRIO M 680<br>TARGA M 680 |
|      | P11            | cinnamon brown        |            |     |                             | 24   | 999 061 272 36 | spacer bolt<br>M 6 X 82,5         |         | 1   | CABRIO M 680<br>TARGA M 680 |
| (16) | 996 645 566 00 | subwoofer             | /RL<br>/RL | 1   | CABRIO M 680<br>TARGA M 680 |      |                |                                   |         |     |                             |
|      | A10            | black                 |            |     |                             |      |                |                                   |         |     |                             |
|      | C50            | graphite grey         |            |     |                             |      |                |                                   |         |     |                             |
|      | S30            | savanna               |            |     |                             |      |                |                                   |         |     |                             |
|      | G10            | metropole blue        |            |     |                             |      |                |                                   |         |     |                             |
|      | J30            | nephrite green        |            |     |                             |      |                |                                   |         |     |                             |
|      | M30            | boxster red           |            |     |                             |      |                |                                   |         |     |                             |
|      | P11            | cinnamon brown        |            |     |                             |      |                |                                   |         |     |                             |
|      | D11            | dark grey/natural     |            |     |                             |      |                |                                   |         |     |                             |
|      | T11            | brown/natural         |            |     |                             |      |                |                                   |         |     |                             |
| 17   | 996 645 568 00 | rose                  | /H         | 2   | COUPE M 680                 |      |                |                                   |         |     |                             |
|      | A10            | black                 |            |     |                             |      |                |                                   |         |     |                             |
|      | C50            | graphite grey         |            |     |                             |      |                |                                   |         |     |                             |
|      | S30            | savanna               |            |     |                             |      |                |                                   |         |     |                             |
|      | G10            | metropole blue        |            |     |                             |      |                |                                   |         |     |                             |

- - - E N D - - -

|       |      |    |    |              |              |        |       |            |         |     |         |
|-------|------|----|----|--------------|--------------|--------|-------|------------|---------|-----|---------|
| Model | Year | MG | SG | Illustration | Restrictions | Update | 11:52 | 25.11.2005 | PORSCHE | PET | PORSCHE |
| 996   | 05   | 9  | 11 | 911-10       |              | 194    |       |            |         |     |         |



| Pos | Part Number    | Name  | Remarks | Qty | Model        |
|-----|----------------|---|---------|-----|--------------|
|     |                | preparation for telephone   |         |     | M 614, M 618 |
| 1   | 996 647 103 00 | antenna base<br>use also:   | -00     | 1   | COUPE        |
| -   | 996 647 106 00 | cap<br>for<br>antenna base<br>see technical information<br>GR.9 , NR. 2/00            | -00     | 1   |              |
| -   | 996 647 201 00 | reinforcement<br>for<br>antenna base<br>see technical information<br>GR.9 , NR. 10/99 | -00     | 1   | COUPE        |
| 2   | 996 647 104 00 | antenna rod   | -00     | 1   |              |
| 3   | 996 647 125 00 | antenna   | /LL 01- | 1   |              |
| (3) | 996 647 126 00 | antenna   | /RL 01- | 1   |              |
| 4   | 996 647 127 00 | support<br>POS. 5 + 6<br>attention  | /LL -04 | 1   |              |
| (4) | 997 647 127 00 | support<br>POS. 5 + 6<br>attention  | /LL 04- | 1   |              |
| (4) | 996 647 128 00 | support<br>POS. 5 + 6<br>attention  | /RL -04 | 1   |              |
| (4) | 997 647 128 00 | support<br>POS. 5 + 6<br>attention  | /RL 04- | 1   |              |
| 5   | 999 073 203 00 | round head screw<br>M 5 X 12 - Z2<br>for<br>support<br>996.647.127/128.00             | -04     | 4   |              |
| 5   | 999 073 236 0A | oval-head screw<br>M 6 X 10<br>for<br>support<br>997.647.127/128.00                   | 04-     | 4   |              |
| 6   | 999 507 067 09 | speed nut<br>M 5<br>for<br>support<br>996.647.127/128.00                              | -04     | 4   |              |

|       |      |    |    |              |              |        |       |            |         |     |         |
|-------|------|----|----|--------------|--------------|--------|-------|------------|---------|-----|---------|
| Model | Year | MG | SG | Illustration | Restrictions | Update | 11:52 | 25.11.2005 | PORSCHE | PET | PORSCHE |
| 996   | 05   | 9  | 11 | 911-10       |              | 194    |       |            |         |     |         |

| Pos  | Part Number    | Name   | Remarks | Qty | Model  | Pos  | Part Number    | Name                   | Remarks | Qty | Model |
|------|----------------|--|---------|-----|--------|------|----------------|------------------------|---------|-----|-------|
| 6    | 999 507 550 0A | speed nut<br>M 6<br>for<br>support<br>997.647.127/128.00 | 04-     | 4   |        |      | G18            | metropole blue         | 99      |     |       |
|      |                |  |         |     |        |      | B18            | space grey             | 99      |     |       |
|      |                |  |         |     |        |      | A12            | black                  | 00-     |     |       |
| 7    | 999 073 210 00 | tapping screw<br>4,8 X 13                                | 01-     | 2   |        |      | C52            | graphite grey          | 00-     |     |       |
|      |                |  |         |     |        |      | S32            | savanna                | 00-     |     |       |
| 8    | 999 507 441 02 | speed nut<br>4,8   | 01-     | 2   |        |      | G12            | metropole blue         | 00-     |     |       |
| 9    | 996 612 086 00 | extension cable  | -00     | 1   | COUPE  |      | B52            | space grey             | 00-     |     |       |
| 9    | 986 612 096 00 | extension cable  | -00     | 1   | CABRIO |      | J32            | nephrite green         | 01-     |     |       |
| 9    | 996 612 037 00 | extension cable  | 01-     | 1   | M 618  | (11) | 996 552 093 04 | bracket<br>leatherette | /RL 99- | 1   |       |
| (9)  | 996 612 007 00 | extension cable  | 03-     | 1   | M 666  |      |                |                        |         |     |       |
| 10   | 964 646 318 00 | adapter plug   | /LL     | 1   | M 618  |      | A18            | black                  | 99      |     |       |
| (10) | 996 646 318 00 | adapter plug   | /RL     | 1   | M 618  |      | C18            | graphite grey          | 99      |     |       |
| 11   | 996 552 094 02 | bracket<br>leatherette                                   | /LL 98  | 1   |        |      | S18            | savanna                | 99      |     |       |
|      | A18            | black  |         |     |        |      | G18            | metropole blue         | 99      |     |       |
|      | C18            | graphite grey  |         |     |        |      | B18            | space grey             | 99      |     |       |
|      | S18            | savanna  |         |     |        |      | A12            | black                  | 00-     |     |       |
|      | G18            | metropole blue   |         |     |        |      | C52            | graphite grey          | 00-     |     |       |
|      | B18            | space grey   |         |     |        |      | S32            | savanna                | 00-     |     |       |
| (11) | 996 552 093 02 | bracket<br>leatherette                                   | /RL 98  | 1   |        |      | G12            | metropole blue         | 00-     |     |       |
|      | A18            | black  |         |     |        |      | B52            | space grey             | 00-     |     |       |
|      | C18            | graphite grey  |         |     |        | 11   | 996 552 094 01 | bracket<br>leather     | /LL 98  | 1   |       |
|      | S18            | savanna  |         |     |        |      | A11            | black                  |         |     |       |
|      | G18            | metropole blue   |         |     |        |      | C51            | graphite grey          |         |     |       |
|      | B18            | space grey   |         |     |        |      | S31            | savanna                |         |     |       |
| 11   | 996 552 094 04 | bracket<br>leatherette                                   | /LL 99- | 1   |        |      | J31            | nephrite green         |         |     |       |
|      | A18            | black  | 99      |     |        |      | M31            | boxster red            |         |     |       |
|      | C18            | graphite grey  | 99      |     |        |      | G11            | metropole blue         |         |     |       |
|      | S18            | savanna  | 99      |     |        |      | B51            | space grey             |         |     |       |

|       |      |    |    |              |              |        |       |            |         |     |         |
|-------|------|----|----|--------------|--------------|--------|-------|------------|---------|-----|---------|
| Model | Year | MG | SG | Illustration | Restrictions | Update | 11:52 | 25.11.2005 | PORSCHE | PET | PORSCHE |
| 996   | 05   | 9  | 11 | 911-10       |              | 194    |       |            |         |     |         |

| Pos  | Part Number    | Name              | Remarks | Qty | Model | Pos  | Part Number    | Name                                  | Remarks | Qty | Model |
|------|----------------|-------------------|---------|-----|-------|------|----------------|---------------------------------------|---------|-----|-------|
| (11) | 996 552 093 01 | bracket leather   | /RL 98  | 1   |       |      | T12            | brown/natural                         | 00-     |     |       |
|      | A11            | black             |         |     |       |      | P12            | cinnamon brown                        | 01-     |     |       |
|      | C51            | graphite grey     |         |     |       | 12   | 996 552 298 00 | attachment                            | /LL     | 1   |       |
|      | S31            | savanna           |         |     |       |      | 01C            | satin black                           |         |     |       |
|      | J31            | nephrite green    |         |     |       | (12) | 996 552 297 00 | attachment                            | /RL     | 1   |       |
|      | M31            | boxster red       |         |     |       |      | 01C            | satin black                           |         |     |       |
|      | G11            | metropole blue    |         |     |       | 12   | 996 552 979 00 | attachment leather                    | /LL     | 1   | XEA   |
|      | B51            | space grey        |         |     |       |      | A11            | black                                 |         |     |       |
| 11   | 996 552 094 03 | bracket leather   | /LL 99- | 1   |       |      | C51            | graphite grey                         |         |     |       |
|      | A11            | black             |         |     |       |      | S31            | savanna                               |         |     |       |
|      | C51            | graphite grey     |         |     |       |      | G11            | metropole blue                        |         |     |       |
|      | S31            | savanna           |         |     |       |      | J31            | nephrite green                        |         |     |       |
|      | J31            | nephrite green    |         |     |       |      | M31            | boxster red                           |         |     |       |
|      | M31            | boxster red       |         |     |       |      | P12            | cinnamon brown                        |         |     |       |
|      | G11            | metropole blue    |         |     |       |      | D12            | dark grey/natural                     |         |     |       |
|      | B51            | space grey        |         |     |       |      | T12            | brown/natural                         |         |     |       |
|      | D12            | dark grey/natural | 00-     |     |       | (12) | 996 552 979 01 | attachment leather                    | /RL     | 1   | XEA   |
|      | T12            | brown/natural     | 00-     |     |       |      | A11            | black                                 |         |     |       |
|      | P12            | cinnamon brown    | 01-     |     |       |      | C51            | graphite grey                         |         |     |       |
| (11) | 996 552 093 03 | bracket leather   | /RL 99- | 1   |       |      | S31            | savanna                               |         |     |       |
|      | A11            | black             |         |     |       |      | G11            | metropole blue                        |         |     |       |
|      | C51            | graphite grey     |         |     |       |      | J31            | nephrite green                        |         |     |       |
|      | S31            | savanna           |         |     |       |      | M31            | boxster red                           |         |     |       |
|      | J31            | nephrite green    |         |     |       |      | P12            | cinnamon brown                        |         |     |       |
|      | M31            | boxster red       |         |     |       |      | D12            | dark grey/natural                     |         |     |       |
|      | G11            | metropole blue    |         |     |       |      | T12            | brown/natural                         |         |     |       |
|      | B51            | space grey        |         |     |       | 13   | 996 552 624 01 | adapter see tpi GR.9 , NR.17 , JAN/99 | 98      | 1   |       |
|      | D12            | dark grey/natural | 00-     |     |       |      |                |                                       |         |     |       |



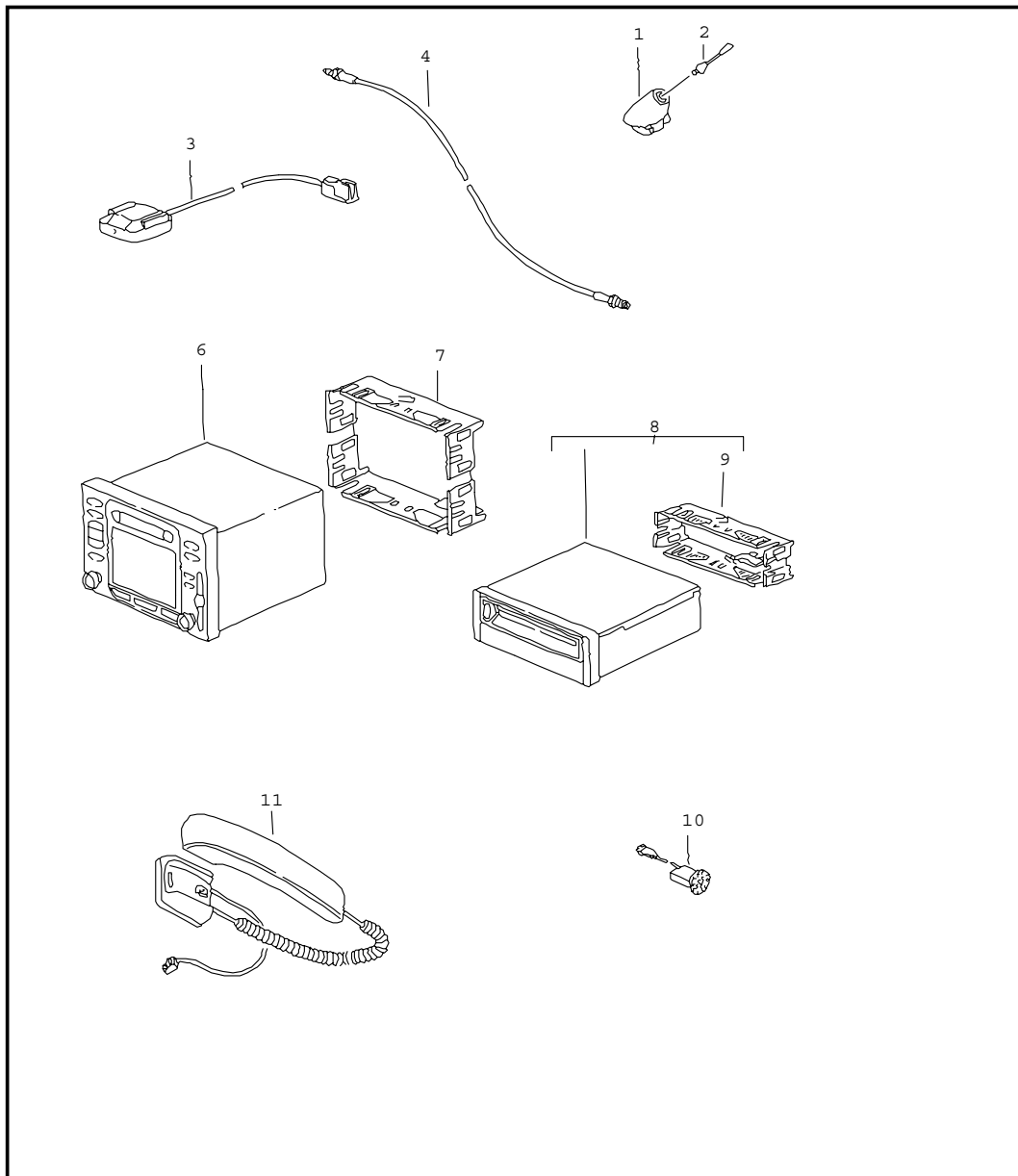
|       |      |    |    |              |              |        |       |            |         |     |         |
|-------|------|----|----|--------------|--------------|--------|-------|------------|---------|-----|---------|
| Model | Year | MG | SG | Illustration | Restrictions | Update | 11:52 | 25.11.2005 | PORSCHE | PET | PORSCHE |
| 996   | 05   | 9  | 11 | 911-10       |              | 194    |       |            |         |     |         |

| Pos  | Part Number    | Name                                 | Remarks | Qty | Model | Pos  | Part Number    | Name           | Remarks | Qty | Model |
|------|----------------|--------------------------------------|---------|-----|-------|------|----------------|----------------|---------|-----|-------|
| (13) | 996 552 624 02 | adapter                              | 99-     | 1   |       |      | G13            | metropole blue |         |     |       |
| -    | 996 552 581 00 | filler piece<br>bracket<br>telephone | /RL 99- | 1   |       |      | B13            | space grey     |         |     |       |
|      | 01C            | satin black                          |         |     |       |      | J33            | nephrite green |         |     |       |
| -    | 996 552 582 00 | filler piece<br>bracket<br>telephone | /LL 99- | 1   |       |      | M33            | boxster red    |         |     |       |
|      | 01C            | satin black                          |         |     |       |      | P13            | cinnamon brown | 01      |     |       |
| 14   | 999 919 121 09 | oval-head screw<br>5,0 X 16          |         | 6   |       | (19) | 996 646 308 01 | microphone     | /RL -01 | 1   |       |
| 15   | 999 507 476 01 | clamp<br>8,0 X 10,2                  |         | 3   |       |      | D05            | granite grey   |         |     |       |
| 16   | 996 552 824 00 | cap                                  |         | 1   |       |      | A03            | black          |         |     |       |
|      | 01C            | satin black                          |         |     |       |      | C53            | graphite grey  |         |     |       |
| 16   | 996 552 978 00 | cap<br>leather                       |         | 1   | XEA   |      | S33            | savanna        |         |     |       |
|      | A11            | black                                |         |     |       |      | G13            | metropole blue |         |     |       |
|      | C51            | graphite grey                        |         |     |       |      | B13            | space grey     |         |     |       |
|      | S31            | savanna                              |         |     |       |      | J33            | nephrite green |         |     |       |
|      | G11            | metropole blue                       |         |     |       |      | M33            | boxster red    |         |     |       |
|      | J31            | nephrite green                       |         |     |       |      | P13            | cinnamon brown | 01      |     |       |
|      | M31            | boxster red                          |         |     |       | (19) | 996 646 307 02 | microphone     | /LL 02  | 1   |       |
|      | P12            | cinnamon brown                       |         |     |       |      | A03            | black          |         |     |       |
|      | D12            | dark grey/natural                    |         |     |       |      | C53            | graphite grey  |         |     |       |
|      | T12            | brown/natural                        |         |     |       |      | S33            | savanna        |         |     |       |
| 17   | 996 646 125 01 | frame                                |         | 1   |       |      | G13            | metropole blue |         |     |       |
| 18   | 996 646 126 00 | cover                                |         | 1   |       | (19) | 996 646 308 02 | microphone     | /RL 02  | 1   |       |
| 19   | 996 646 307 01 | microphone                           | /LL -01 | 1   |       |      | J33            | nephrite green |         |     |       |
|      | D05            | granite grey                         |         |     |       |      | M33            | boxster red    |         |     |       |
|      | A03            | black                                |         |     |       |      | P13            | cinnamon brown |         |     |       |
|      | C53            | graphite grey                        |         |     |       |      |                |                |         |     |       |
|      | S33            | savanna                              |         |     |       |      |                |                |         |     |       |

|       |      |    |    |              |              |        |       |            |         |     |         |
|-------|------|----|----|--------------|--------------|--------|-------|------------|---------|-----|---------|
| Model | Year | MG | SG | Illustration | Restrictions | Update | 11:52 | 25.11.2005 | PORSCHE | PET | PORSCHE |
| 996   | 05   | 9  | 11 | 911-10       |              | 194    |       |            |         |     |         |

| Pos  | Part Number    | Name                       | Remarks | Qty | Model                               | Pos | Part Number | Name | Remarks | Qty | Model |
|------|----------------|----------------------------|---------|-----|-------------------------------------|-----|-------------|------|---------|-----|-------|
|      | M33            | boxster red                |         |     |                                     |     |             |      |         |     |       |
|      | P13            | cinnamon brown             |         |     |                                     |     |             |      |         |     |       |
| 20   | 996 646 235 01 | support                    |         | 1   | M 618                               |     |             |      |         |     |       |
| (20) | 996 646 233 00 | support                    | 99-     | 1   | M 339/M 614                         |     |             |      |         |     |       |
| -    | 999 084 629 09 | hexagon nut<br>VM 6        | 99-     | 4   | M 339/M 614                         |     |             |      |         |     |       |
| 21   | 999 073 060 02 | tapping screw<br>4,8 X 13  |         | 4   | M 618                               |     |             |      |         |     |       |
| -    | 996 521 663 01 | stop<br>seat rail<br>inner |         | 1   | M 437/M 438                         |     |             |      |         |     |       |
| -    | 996 521 665 00 | stop<br>seat rail<br>inner |         | 1   | M 369/M 370<br>M 375/M 376<br>M 540 |     |             |      |         |     |       |
|      |                | - - - E N D - - -          |         |     |                                     |     |             |      |         |     |       |

|       |      |    |    |              |              |        |       |            |         |     |         |
|-------|------|----|----|--------------|--------------|--------|-------|------------|---------|-----|---------|
| Model | Year | MG | SG | Illustration | Restrictions | Update | 11:52 | 25.11.2005 | PORSCHE | PET | PORSCHE |
| 996   | 05   | 9  | 11 | 911-15       |              | 194    |       |            |         |     |         |



| Pos   | Part Number    | Name  | Remarks    | Qty | Model          |
|-------|----------------|---|------------|-----|----------------|
|       |                | navigation system receiver  | -02<br>-02 |     | M 662<br>M 663 |
|       |                | see technical information<br>GR.0 , NR. 4/97  |            |     |                |
|       |                | electronic mail<br>GR.9 , NR. 2A/97   |            |     |                |
|       |                | see technical information<br>GR.9 , NR.3/02   |            |     |                |
| 1     | 996 647 103 00 | antenna base<br>use also:   | -00        | 1   | COUPE          |
| -     | 996 647 106 00 | cap<br>for<br>antenna base<br>see technical information<br>GR.9 , NR. 2/00            | -00        | 1   |                |
| -     | 996 647 201 00 | reinforcement<br>for<br>antenna base<br>see technical information<br>GR.9 , NR. 10/99 | -00        | 1   | COUPE          |
| 2     | 996 647 104 00 | antenna rod   | -00        | 1   |                |
|       |                | antenna<br>telephone<br>see group<br>9 /11/10   | 01-        |     |                |
| 3     | 996 642 206 00 | antenna<br>- GPS -  |            | 1   |                |
| 4     | 996 612 083 00 | extension cable<br>telephone  | -00        | 1   |                |
| 4     | 996 612 038 00 | extension cable<br>telephone  | 01-        | 1   |                |
| (4)   | 996 612 970 01 | extension cable<br>- GPS -  |            | 1   |                |
| (6) > | 996 642 904 04 | control part  | -01        | 1   |                |
|       |                | EFR<br>gloss black<br>electronic mail<br>GR.9 , 4A/00                                 |            |     |                |
| (6) > | 996 642 944 00 | control part  | 02         | 1   |                |
|       |                | EWD<br>black mat  |            |     |                |
| 7     | 996 642 103 01 | retaining frame   |            | 1   |                |

|       |      |    |    |              |              |        |       |            |         |     |         |
|-------|------|----|----|--------------|--------------|--------|-------|------------|---------|-----|---------|
| Model | Year | MG | SG | Illustration | Restrictions | Update | 11:52 | 25.11.2005 | PORSCHE | PET | PORSCHE |
| 996   | 05   | 9  | 11 | 911-15       |              | 194    |       |            |         |     |         |

| Pos   | Part Number    | Name               | Remarks | Qty | Model                 | Pos  | Part Number    | Name            | Remarks    | Qty    | Model |
|-------|----------------|--------------------|---------|-----|-----------------------|------|----------------|-----------------|------------|--------|-------|
| (8) > | 996 642 122 01 | computer           |         | 1   |                       | -    | 996 642 136 07 | cd-rom          |            | 1      | M 119 |
|       | EFR            | gloss black        |         |     |                       | -    | 996 642 137 07 | cd-rom          |            | 1      | M 062 |
|       |                | F >>991S6 03524    |         |     |                       | -    | 996 642 138 07 | cd-rom          |            | 1      | M 034 |
|       |                | F >>991S6 42489    |         |     |                       | 9    | 993 645 173 00 | retaining frame |            | 1      |       |
|       |                | cd-rom             |         |     |                       | 10   | 996 646 307 01 | microphone      | /LL -01    | 1      |       |
|       |                | for                |         |     |                       |      | D05            | granite grey    |            |        |       |
|       |                | computer           |         |     |                       |      | A03            | black           |            |        |       |
|       |                | 996.642.122.00.EFR |         |     |                       |      | C53            | graphite grey   |            |        |       |
|       |                | 996.642.122.01.EFR |         |     |                       |      | S33            | savanna         |            |        |       |
| -     | 996 642 131 06 | cd-rom             |         | 1   | M 499                 |      | G13            | metropole blue  |            |        |       |
| -     | 996 642 132 06 | cd-rom             |         | 1   | M 124                 |      | B13            | space grey      |            |        |       |
| -     | 996 642 133 06 | cd-rom             |         | 1   | M 061                 |      | J33            | nephrite green  |            |        |       |
| -     | 996 642 134 06 | cd-rom             |         | 1   | M 111/M 277           |      | M33            | boxster red     |            |        |       |
| -     | 996 642 135 06 | cd-rom             |         | 1   | M 063/M 064/<br>M 225 |      | P13            | cinnamon brown  | 01         |        |       |
| -     | 996 642 136 06 | cd-rom             |         | 1   | M 119                 |      |                |                 |            |        |       |
| -     | 996 642 137 06 | cd-rom             |         | 1   | M 062                 |      |                |                 |            |        |       |
| -     | 996 642 138 06 | cd-rom             |         | 1   | M 034                 |      |                |                 |            |        |       |
| (8) > | 996 642 122 03 | computer           | -01     | 1   |                       | (10) | 996 646 308 01 | microphone      | /RL -01    | 1      |       |
|       | EFR            | gloss black        |         |     |                       |      | D05            | granite grey    |            |        |       |
|       |                | F 991S6 03525>>    |         |     |                       |      | A03            | black           |            |        |       |
|       |                | F 991S6 42490>>    |         |     |                       |      | C53            | graphite grey   |            |        |       |
| (8) > | 996 642 122 12 | computer           | 02      | 1   |                       |      | S33            | savanna         |            |        |       |
|       | EWD            | black mat          |         |     |                       |      | G13            | metropole blue  |            |        |       |
|       |                | cd-rom             |         |     |                       |      | B13            | space grey      |            |        |       |
|       |                | for                |         |     |                       |      | J33            | nephrite green  |            |        |       |
|       |                | computer           |         |     |                       |      | M33            | boxster red     |            |        |       |
|       |                | 996.642.122.03.EFR |         |     |                       |      | P13            | cinnamon brown  | 01         |        |       |
|       |                | 996.642.122.12.EWD |         |     |                       |      |                |                 |            |        |       |
| -     | 996 642 131 07 | cd-rom             |         | 1   | M 499                 |      |                |                 |            |        |       |
| -     | 996 642 132 07 | cd-rom             |         | 1   | M 124                 |      | (10)           | 996 646 307 02  | microphone | /LL 02 | 1     |
|       |                | replacement        |         |     |                       |      | A03            | black           |            |        |       |
|       |                | see catalogue      |         |     |                       |      | C53            | graphite grey   |            |        |       |
|       |                | tequipment         |         |     |                       |      | S33            | savanna         |            |        |       |
| -     | 996 642 133 07 | cd-rom             |         | 1   | M 061                 |      | G13            | metropole blue  |            |        |       |
| -     | 996 642 134 07 | cd-rom             |         | 1   | M 111/M 277           |      |                |                 |            |        |       |
| -     | 996 642 135 07 | cd-rom             |         | 1   | M 063/M 064/<br>M 225 |      |                |                 |            |        |       |

|       |      |    |    |              |              |        |       |            |         |     |         |
|-------|------|----|----|--------------|--------------|--------|-------|------------|---------|-----|---------|
| Model | Year | MG | SG | Illustration | Restrictions | Update | 11:52 | 25.11.2005 | PORSCHE | PET | PORSCHE |
| 996   | 05   | 9  | 11 | 911-15       |              | 194    |       |            |         |     |         |

| Pos  | Part Number    | Name                                       | Remarks | Qty | Model | Pos | Part Number | Name | Remarks | Qty | Model |
|------|----------------|--|---------|-----|-------|-----|-------------|------|---------|-----|-------|
|      |                | J33 nephrite green                         |         |     |       |     |             |      |         |     |       |
|      |                | M33 boxer red                              |         |     |       |     |             |      |         |     |       |
|      |                | P13 cinnamon brown                         |         |     |       |     |             |      |         |     |       |
| (10) | 996 646 308 02 | microphone                                 | /RL 02  | 1   |       |     |             |      |         |     |       |
|      |                | A03 black                                  |         |     |       |     |             |      |         |     |       |
|      |                | C53 graphite grey                          |         |     |       |     |             |      |         |     |       |
|      |                | S33 savanna                                |         |     |       |     |             |      |         |     |       |
|      |                | G13 metropole blue                         |         |     |       |     |             |      |         |     |       |
|      |                | J33 nephrite green                         |         |     |       |     |             |      |         |     |       |
|      |                | M33 boxer red                              |         |     |       |     |             |      |         |     |       |
|      |                | P13 cinnamon brown                         |         |     |       |     |             |      |         |     |       |
| 11   | 996 642 111 01 | receiver                                   |         | 1   | M 663 |     |             |      |         |     |       |
| 11   | 996 642 980 00 | receiver<br>leather                        |         | 1   | XEA   |     |             |      |         |     |       |
|      |                | A11 black                                  |         |     |       |     |             |      |         |     |       |
|      |                | C51 graphite grey                          |         |     |       |     |             |      |         |     |       |
|      |                | S31 savanna                                |         |     |       |     |             |      |         |     |       |
|      |                | G11 metropole blue                         |         |     |       |     |             |      |         |     |       |
|      |                | J31 nephrite green                         |         |     |       |     |             |      |         |     |       |
|      |                | M31 boxer red                              |         |     |       |     |             |      |         |     |       |
|      |                | P12 cinnamon brown                         |         |     |       |     |             |      |         |     |       |
|      |                | D12 dark grey/natural                      |         |     |       |     |             |      |         |     |       |
|      |                | T12 brown/natural                          |         |     |       |     |             |      |         |     |       |
|      |                | bracket<br>see group<br>9 /11/10           |         |     |       |     |             |      |         |     |       |
|      |                | stop<br>seat rail<br>see group<br>9 /11/10 |         |     |       |     |             |      |         |     |       |
|      |                | - - - E N D - - -                          |         |     |       |     |             |      |         |     |       |

M000 ! SUMMARY OF OPTIONAL EXTRAS "M"!  
M004 GT3 RS (STREET)  
M014 SPORT PACKAGE 996  
M024 VERSION FOR GREECE  
M030 SPORT-TYPE RUNNING GEAR  
M032 TOURING SUSPENSION  
M034 VERSION FOR ITALY  
M058 IMPACT ABSORBERS FRONT AND REAR  
M061 VERSION FOR GREAT BRITAIN  
M062 VERSION FOR SWEDEN  
M063 VERSION LUXEMBURG  
M064 VERSION FOR NETHERLANDS  
M065 VERSION FOR DENMARK  
M066 VERSION FOR NORWAY  
M067 VERSION FOR FINLAND  
M068 VERSION FOR THAILAND  
M069 OTHER COUNTRY VERSION  
M071 EU COUNTRY VERSION  
M072 VERSION FOR MEXICO  
M073 VERSION FOR RUSSIA  
M094 SPECIAL MODEL MILLENNIUM  
M095 SPECIAL MODEL '40 YEARS 911'  
M111 VERSION FOR AUSTRIA  
M113 VERSION FOR CANADA  
M114 VERSION FOR TAIWAN  
M119 VERSION FOR SPAIN  
M124 VERSION FOR FRANCE  
M126 CONTROL AND INDICATIONS IN FRENCH LETTERING  
M127 CONTROL AND INDICATIONS IN SCHWEDISCH  
M130 CONTROL AND INDICATIONS IN ENGLISH LETTERING  
M139 SEAT HEATING SYSTEM, LEFT SEAT  
M150 OPERATES WITH LEADED GAS  
M193 VERSION FOR JAPAN  
M197 STRONGER BATTERY  
M215 VERSION FOR SAUDI ARABIA  
M219 DIFFERENTIAL  
M220 LOCKING DIFFERENTIAL 40 %  
M222 TRACTION CONTROL SYSTEM  
M224 AUTOMATIC LIMITED SLIP DIFFERENTIAL  
M225 VERSION FOR BELGIUM  
M249 TIPTRONIC TRANSMISSION  
M265 AUTOMATIC ANTI-DAZZLE INTERIOR MIRROR WITH RAIN SENSOR  
M266 AUTOMATIC ANTI-DAZZLE EXTERIOR MIRROR  
M270 OUTSIDE MIRROR -PLAN- DRIVER'S SIDE, ELECTRICALLY ADJUSTABLE AND HEATABLE  
M271 OUTSIDE MIRROR -ASPHERICAL- DRIVER'S SIDE, ELECTRICALLY ADJUSTABLE AND HEATABLE  
M273 OUTSIDE MIRROR, ELECTRICALLY ADJUSTABLE AND HEATABLE  
M274 MAKE-UP MIRROR ILLUMINATED  
M277 VERSION FOR SWITZERLAND  
M288 HEADLAMP WASHER  
M320 RADIO "PORSCHE CR-11"

M321 RADIO "PORSCHE CR 22"  
M322 RADIO "PORSCHE DR 220"  
M325 VERSION FOR SOUTH AFRICA/NEW ZEALAND  
M326 RADIO "PORSCHE CR-21"  
M327 RADIO "PORSCHE CR 2200"  
M329 RADIO "PORSCHE CR-210"  
M330 RADIO "PORSCHE CR-31"  
M335 AUTOMATICAL SAFETY BELT, 3-POINT, REAR  
M338 REAR-WHEEL DRIVE  
M339 4-WHEEL DRIVE  
M340 SEAT HEATING SYSTEM, RIGHT SEAT  
M342 SEAT HEATING SYSTEM, LEFT/RIGHT SEAT  
M369 SERIES SEAT, LEFT  
M370 SERIES SEAT, RIGHT  
M375 SPORTSEAT, BACKREST SHELL, LEFT  
M376 SPORTSEAT, BACKREST SHELL, RIGHT  
M392 17" CARRERA WHEEL  
M396 CAST WHEEL, 17 INCHES  
M399 17" CARRERA-4-WHEEL  
M408 18" TECHNO WHEEL  
M411 18" CARRERA-WHEEL  
M413 18" TURBO-LOOK-WHEEL  
M414 18" TURBO-LOOK-WHEEL HIGH GLOSS FINISH  
M417 18" CARRERA-WHEEL, POLISHED  
M421 FRONT CASSETTE COMPARTMENT  
M422 REAR CASSETTE COMPARTMENT  
M424 CD COMPARTMENT  
M425 REAR WINDOW WIPER  
M432 STEERING WHEEL WITH TIPTRONIC CONTROL  
M436 3-SPOKE AIRBAG STEERING WHEEL  
M437 COMFORT SEAT LEFT, ELECTRICALLY ADJUSTABLE  
M438 COMFORT SEAT RIGHT, ELECTRICALLY ADJUSTABLE  
M439 ELECTRICAL ROOF CATCH  
M440 MANUAL ANTENNA, 4 LOUDSPEAKERS -> MJ 2002  
MJ 2003 -> ANTENNA DIVERSITY  
M441 PREPARED FOR RADIO  
M446 CONCAVE HUB CAPE WITH COLOURED ESCUTCHEON  
M450 CERAMIC BRAKE (PCCB)  
M454 AUTOMATIC SPEED CONTROL  
M465 REAR FOGLAMP, LEFT  
M466 REAR FOGLAMP, RIGHT  
M476 PORSCHE STABILITY MANAGEMENT (PSM)  
M479 VERSION FOR AUSTRALIA  
M480 6-SPEED MANUAL TRANSMISSION  
M484 VERSION FOR USA  
M488 INSCRIPTIONS IN GERMAN LANGUAGE  
M490 -MJ 01 SOUND SYSTEM  
MJ 02- SOUND SYSTEM HARMANN ANALOG  
M492 FOR LEFT-HAND TRAFFIC  
M498 WITHOUT VEHICLE-TYPE-LETTERING ON REAR END

M499 VERSION FOR GERMANY  
M509 FIRE EXTINGUISHER  
M513 BACK-SUPPORT (LORDOSE) RIGHT SEAT  
M532 DELETED REMOTE CONTROL ANTI-THEFT DEVICE  
M533 RADIO CONVERTIBLE-TOP OPERATION OMITTED  
M534 THEFT SECURITY SYSTEM  
M535 ANTI-THEFT LOCK 315 MHZ  
M536 ALARM SIREN AND TILT SENSOR  
M537 SEATING POSITION CONTROL FOR CONFORT SEAT, LEFT  
M538 SEATING POSITION CONTROL FOR CONFORT SEAT, RIGHT  
M539 MECHANICAL SEAT-HEIGHT ADJUSTMENT LEFT  
M540 MECHANICAL SEAT-HEIGHT ADJUSTMENT RIGHT  
M549 ROOF RACK SYSTEM  
M550 HARDTOP  
M551 WIND DEFLECTOR  
M553 VERSION FOR USA, CANADA  
M562 AIRBAGDRIVER'S SIDE AND FRONT PASSENGER'S SIDE  
M563 SIDE AIRBAG  
M566 FOG-HEADLAMPS, WHITE  
M567 WINDSHIELD TINTED, UPPER PART DARKER COLOURED  
M571 ACTIVATED CHARCOAL FILTER  
M573 AIR CONDITIONER  
M574 WITHOUT AIR CONDITIONER  
M580 NON-SMOKER'S PACKAGE  
M581 CENTER CONSOLE FRONT  
M586 BACK-SUPPORT (LORDOSE) LEFT SEAT  
M590 POWER LID LOCKING  
M601 HEADLAMP LITRONIC  
M602 ARAISED STOP LAMP  
M605 HEADLIGHT VERTICAL AIM CONTROL  
M606 DAYTIME RUNNING LAMP  
M614 PRPARATION OF TELEPHONE INSTALLATION MOTOROLA 2200  
M618 PREPARATION OF TELEPHONE INSTALLATION  
M620 E-ACCELERATOR  
M635 PARKING ASSISTENT  
M650 ELECTRICAL SLIDING ROOF  
M651 ELECTRIC WINDOW OPENER  
M657 POWER ASSISTED STEERING  
M659 COMPUTER  
M660 OBD 2  
M661 STRICTER EMISSION-CONTROL CONCEPT  
M662 INFO/NAVIGATION SYSTEM  
M663 HANDS-FREE RECEIVER  
M664 ORVR  
M665 PCM2 BASIC MODULE INCLUDING RADIO  
M666 PCM2 TELEPHONE (GSM)  
M668 PCM2 TELEPHONE HANDSET  
M670 PCM2 NAVIGATION  
M680 -MJ 01 DIGITAL SOUND PACKAGE  
MJ 02- SOUND SYSTEM BOSE ANALOG



M685 REAR SEATS, DEVIDED  
M686 RADIO "PORSCHE CDR-21"  
M688 RADIO "PORSCHE CDR-210"  
M689 PREPERATION OF CD-CHANGER  
M692 CD-CHANGER "PORSCHE "  
M695 CD-RADIO "PORSCHE CDR 22"  
M696 CD-RADIO "PORSCHE CDR 220"  
M698 CD-RADIO "PORSCHE CDR 32"  
M699 MD-RADIO "PORSCHE MDR 32"  
M936 SEAT COVERS REAR, LEATHER  
M937 SEAT COVERS REAR, LEATHERETTE  
M939 SEAT COVERS REAR, DRAPED LEATHER  
M946 SEAT COVERS FRONT, LEATHER/LEATHER/LEATHERETTE  
M981 LEATHER EQUIPMENT WITHOUT SEAT COVERS  
M982 SEAT COVERS FRONT, DRAPED LEATHER/LEATHER/LEATHER  
M983 SEAT COVERS FRONT, LEATHER  
M990 SEAT COVERS FRONT, CLOTH/CLOTH/LEATHERETTE  
M999 PASSENGER COMPARTMENT MONITORING SENSOR FOR LEATHER COLOUR OF CHOICE  
IXAA AEROKIT CUP  
IXAB SPYDER REAR IN BODY COLOUR  
IXAF TURBO AEROKIT  
IXAG CARRERA REAR SPOILER  
IXCZ SWITCH TRAVEL SHORTENING  
IXD9 WHEEL PAINTED IN BODY COLOUR  
IXE8 GEAR LEVER IN DARK BURR WALNUT WITH ALUMINIUM INLAY, LEATHER  
IXE9 HANDBRAKE LEVER IN DARK BURR WALNUT WITH ALUMINIUM INLAY, LEATHER  
IXJB REAR SECTION OF CENTRE CONSOLE IN ARCTIC SILVER  
IXJ4 IGNITION LOCK SURROUND IN LEATHER  
IXKB SIDE AIR VENT IN LIGHT BURR WALNUT/MAPLE  
IXKC SIDE AIR VENT IN DARK BURR WALNUT/MAPLE  
IXKD SIDE AIR VENT IN CARBON  
IXKE SIDE AIR VENT IN ARCTIC SILVER  
IXKG DEFROSTER TRIM IN LIGHT BURR WALNUT/MAPLE, LEATHER  
IXKH DEFROSTER TRIM IN DARK BURR WALNUT/MAPLE, LEATHER  
IXKJ DEFROSTER TRIM IN CARBON/LEATHER  
IXKX INSTRUMENT SURROUND IN ARCTIC SILVER  
IXLA BOXSTER TAILPIPE  
IXLF SPORTS EXHAUST SYSTEM  
IXMA ROOFLINING IN LEATHER  
IXME REAR SECTION OF CENTRE CONSOLE PAINTED  
IXMF FRONT SECTION OF CENTRE CONSOLE INCL. 2 TRAYS IN LEATHER  
IXMJ REAR SECTION OF CENTRE CONSOLE IN CARBON  
IXMK ROLL-OVER BAR IN EXTERIOR COLOUR  
IXML REAR SECTION OF CENTRE CONSOLE IN LIGHT BURR WALNUT/MAPLE  
IXMP LEATHER SUN VISOR, 2 LIT MAKE-UP MIRRORS  
IXMP ILLUMINATED  
IXMR SUN VISOR IN LEATHER, 2 ILLUMINATED VANITY MIRRORS, MAP LIGHT  
IXMY ROLL-OVER BAR IN ARCTIC SILVER  
IXMZ REAR SECTION OF CENTRE CONSOLE IN LEATHER  
IXNB REAR SECTION OF CENTRE CONSOLE IN DARK BURR WALNUT/MAPLE

XNG INSTRUMENT SURROUND IN LEATHER  
IXNH SIDE VENT. LEFT/RIGHT DEFROSTER TRIM IN LEATHER  
IXNN CENTRAL AIR VENT MOUNTING IN LEATHER  
IXNR CENTRAL AIR VENT MOUNTING IN CARBON  
IXNS STEERING COLUMN CASING, 4-PART IN LEATHER  
IXNU TRIM STRIP IN LEATHER  
IXNV TRIM STRIP IN LIGHT BURR WALNUT/MAPLE  
IXNW TRIM STRIP IN DARK BURR WALNUT/MAPLE  
IXNX TRIM STRIP IN CARBON  
IXNY TRIM STRIP IN ARCTIC SILVER  
IXN3 DASHBOARD SIDE AIR VENT IN LEATHER  
IXPA 3-SPOKE SPORTS STEERING WHEEL IN LEATHER INTERIOR COLOUR  
IXPB 3-SPOKE SPORTS STEERING WHEEL IN LIGHT BURR WALNUT/MAPLE, LEATHER  
IXPC 3-SPOKE SPORTS STEERING WHEEL IN DARK BURR WALNUT/MAPLE, LEATHER  
IXPD 3-SPOKE SPORTS STEERING WHEEL IN CARBON/LEATHER  
IXPG 3-SPOKE SPORTS STEERING WHEEL IN ALU-LOOK/LEATHER  
IXPP LOUDSPEAKER FINISHER ON SWITCH PANEL IN INTERIOR COLOUR  
IXPW INSTRUMENT SURROUND IN LIGHT BURR WALNUT/MAPLE  
IXPX INSTRUMENT SURROUND IN DARK BURR WALNUT/MAPLE  
IXPY INSTRUMENT SURROUND IN CARBON  
IXRA 17" SPORTCLASSIC WHEEL  
IXRB 18" SPORTCLASSIC 2 WHEEL  
IXRC 18" SPORTTECHNO WHEEL  
IXRL 18" SPORTDESIGN WHEEL  
IXRN 2 x 17 MM WHEEL SPACERS ON REAR AXLE  
IXRP 4 x 5 MM WHEEL SPACERS ON FRONT/REAR AXLES  
IXSA SPORTS SEAT BACKREST PAINTED  
IXSB SPORTS SEAT BACKREST IN LEATHER  
IXSC PORSCHE CREST EMBOSSED IN HEADREST  
IXSD SEAT CONTROL TRIM IN LEATHER  
IXSE BUCKET SEAT LEFT  
IXSF BUCKET SEAT RIGHT  
IXSG RACING BUCKET SEAT LEFT  
IXSJ SIX-POINT SEAT BELTS  
IXSL SIX-POINT SAFETY BAR  
IXSM RACING SAFETY CAGE  
IXSN OMISSION OF REAR SEAT ASSEMBLY  
IXSR BUCKET SEAT RIGHT, BACKREST CARBON  
IXSS BUCKET SEAT LEFT, BACKREST CARBON  
IXSU LOWERED FRONT SEAT  
IXSW SEAT BELTS IN MARITIME BLUE  
IXSX SEAT BELTS IN GUARDS RED  
IXSY SEAT BELTS IN SPEED YELLOW  
IXTC DOOR FEATURES IN LEATHER  
IXTE DOOR FEATURES IN CARBON/LEATHER  
IXTF DOOR FEATURES IN ARCTIC SILVER/LEATHER  
IXTG INNER SILL FINISHER IN LEATHER  
IXTJ DOOR FEATURES IN LIGHT BURR WALNUT/MAPLE  
IXTK DOOR FEATURES IN DARK BURR WALNUT/MAPLE  
IXTL DOOR FEATURES IN CARBON

IXV1 DEFROSTER TRIM IN LEATHER  
IXX1 FLOOR MATS, LOGO, LEATHER BORDER  
IXX2 FOOTWELL LIGHTING  
IXY5 TIPTRONIC GEAR SELECTOR GATE IN LEATHER  
IXZD INTERIOR LIGHT COVER IN LEATHER  
IX45 INSTRUMENT DIALS IN INTERIOR COLOUR  
IX51 POWER KIT 254 KW  
IX65 TIPTRONIC GEAR SELECTOR IN LIGHT BURR WALNUT WITH ALUMINIUM INLAY  
IX66 TIPTRONIC GEAR SELECTOR IN DARK BURR WALNUT WITH ALUMINIUM INLAY  
IX69 DOOR ENTRY GUARDS IN CARBON WITH LOGO  
IX70 DOOR ENTRY GUARDS IN STAINLESS STEEL WITH LOGO  
IX71 ALUMINIUM-COLOURED INSTRUMENT DIALS  
IX72 GEAR LEVER IN LIGHT BURR WALNUT WITH ALUMINIUM INLAY, LEATHER  
IX73 TURBO SPORTS CHASSIS  
IX74 EXCLUSIVE SPORTS CHASSIS  
IX76 SIDE SKIRTS LEFT/RIGHT  
IX91 HAND BRAKE LEVER IN LIGHT BURR WALNUT WITH ALUMINIUM INLAY, LEATHER  
IX99 NATURAL LEATHER

**PET  
V-PAGES**

| Model | Year | MG | SG | Illustration | VIN No. | Update |       |            |
|-------|------|----|----|--------------|---------|--------|-------|------------|
| 996   | 05   | 9  | 11 | 911-15       |         | 194    | 12:21 | 25.11.2005 |

TR203

THIS PARTS CATALOGUE CONTAINS ALL ORDER INFORMATION OF  
TYPE 996 FROM MODEL YEAR 1998

IT IS AVAILABLE IN TWO EDITIONS IN THE FOLLOWING LANGUAGES:

EDITION

USA, CANADA - \*

EDITION

ALL OTHER COUNTRIES - GERMAN

\* - ENGLISH

- FRENCH

- ITALIAN

- SPANISH

UPDATING IS BEING PERFORMED BY CHANGING OF UPDATE.

THE EDITION CAN BE RECOGNIZED BY THE CURRENT NO.  
IN THE BOTTOM LINE OF SUBJECT UPDATE.

THE PREVIOUS UPDATE SHOULD NO LONGER BE USED.

ALL ILLUSTRATIONS ARE SUBJECT TO CHANGE WITHOUT OBLIGATION.

THE SEATS FOR EACH MODEL ARE AVAILABLE IN THE PARTS CATALOGUE  
"SEATS (STZ 19)".



# PET V-PAGES

|       |      |    |    |              |         |        |       |            |
|-------|------|----|----|--------------|---------|--------|-------|------------|
| Model | Year | MG | SG | Illustration | VIN No. | Update | 12:21 | 25.11.2005 |
| 996   | 05   | 9  | 11 | 911-15       |         | 194    |       |            |

FR203

| VEHICLE TYPE                    | MY   | VIN               | ENGINE | TYPE   |
|---------------------------------|------|-------------------|--------|--------|
| 996 COUPE                       | 98 W | 99WS6 00061>10000 | M96.01 | 220 KW |
| 996 COUPE (MEX)                 | 98 W | 99WS6 20061>30000 | M96.01 | 220 KW |
| 996 COUPE (USA) (CDN)           | 98 W | 99XS6 20061>30000 | M96.01 | 220 KW |
| 996 COUPE (BR)                  | 98 W | 99VS6 29801>30000 | M96.01 | 220 KW |
| 996 COUPE (BR)                  | 98 W | 99WS6 29801>30000 | M96.01 | 220 KW |
| 996 CABRIO                      | 98 W | 99WS6 40061>49999 | M96.01 | 220 KW |
| 996 CABRIO (USA) (CDN) (MEX)    | 98 W | 99WS6 50061>59999 | M96.01 | 220 KW |
| 996 COUPE 2                     | 99 X | 99XS6 00061>09999 | M96.01 | 220 KW |
| 996 COUPE 2 (USA) (CDN) (MEX)   | 99 X | 99XS6 20061>29999 | M96.01 | 220 KW |
| 996 COUPE 2 (BR)                | 99 X | 99WS6 29801>29999 | M96.01 | 220 KW |
| 996 COUPE 2 (BR)                | 99 X | 99XS6 29801>29999 | M96.01 | 220 KW |
| 996 COUPE 4                     | 99 X | 99XS6 00061>09999 | M96.02 | 220 KW |
| 996 COUPE 4 (USA) (CDN) (MEX)   | 99 X | 99XS6 20061>29999 | M96.02 | 220 KW |
| 996 COUPE 4 (BR)                | 99 X | 99WS6 29401>29500 | M96.02 | 220 KW |
| 996 COUPE 4 (BR)                | 99 X | 99XS6 29401>29500 | M96.02 | 220 KW |
| 996 CABRIO 2                    | 99 X | 99XS6 40061>49999 | M96.01 | 220 KW |
| 996 CABRIO 2 (USA) (CDN) (MEX)  | 99 X | 99XS6 50061>59999 | M96.01 | 220 KW |
| 996 CABRIO 2 (BR)               | 99 X | 99WS6 59601>59700 | M96.01 | 220 KW |
| 996 CABRIO 2 (BR)               | 99 X | 99XS6 59601>59700 | M96.01 | 220 KW |
| 996 CABRIO 4                    | 99 X | 99XS6 40061>49999 | M96.02 | 220 KW |
| 996 CABRIO 4 (USA) (CDN) (MEX)  | 99 X | 99XS6 50061>59999 | M96.02 | 220 KW |
| 996 CABRIO 4 (BR)               | 99 X | 99WS6 59801>59999 | M96.02 | 220 KW |
| 996 CABRIO 4 (BR)               | 99 X | 99XS6 59801>59999 | M96.02 | 220 KW |
| 996 COUPE 2/4                   | 00 Y | 99YS6 00061>10000 | M96.04 | 220 KW |
| 996 COUPE 2/4 (USA.CDN.MEX.BR)  | 00 Y | 99YS6 20061>29000 | M96.04 | 220 KW |
| 996 COUPE 2/4 (BR)              | 00 Y | 99XS6 50061>59000 | M96.04 | 220 KW |
| 996 CABRIO 2/4                  | 00 Y | 99YS6 40061>49000 | M96.04 | 220 KW |
| 996 CABRIO 2/4 (USA.CDN.MEX.BR) | 00 Y | 99YS6 50061>59000 | M96.04 | 220 KW |
| 996 CABRIO 2/4 (BR)             | 00 Y | 99XS6 50061>59000 | M96.04 | 220 KW |
| 996 COUPE 2/4                   | 01 1 | 991S6 00061>10000 | M96.04 | 221 KW |
| 996 COUPE 2/4 (USA.CDN.MEX.BR)  | 01 1 | 991S6 20061>29000 | M96.04 | 221 KW |
| 996 CABRIO 2/4                  | 01 1 | 991S6 40061>49000 | M96.04 | 221 KW |
| 996 CABRIO 2/4 (USA.CDN.MEX.BR) | 01 1 | 991S6 50061>59000 | M96.04 | 221 KW |
| 996 COUPE 2/4/4S                | 02 2 | 992S6 00061>10000 | M96.03 | 232 KW |
| 996 COUPE 2/4/4S (US.CN.MX.BR)  | 02 2 | 992S6 20061>29000 | M96.03 | 232 KW |
| 996 TARGA 2/4                   | 02 2 | 992S6 30061>35000 | M96.03 | 232 KW |
| 996 TARGA 2/4 (USA.CDN.MEX.BR)  | 02 2 | 992S6 35061>40000 | M96.03 | 232 KW |
| 996 CABRIO 2/4                  | 02 2 | 992S6 40061>49000 | M96.03 | 232 KW |
| 996 CABRIO 2/4 (USA.CDN.MEX.BR) | 02 2 | 992S6 50061>59000 | M96.03 | 232 KW |
| 996 COUPE 2/4/4S                | 03 3 | 993S6 00061>10000 | M96.03 | 235 KW |
| 996 COUPE 2/4/4S (US.CN.MX.BR)  | 03 3 | 993S6 20061>29000 | M96.03 | 235 KW |
| 996 TARGA 2/4                   | 03 3 | 993S6 30061>35000 | M96.03 | 235 KW |
| 996 TARGA 2/4 (USA.CDN.MEX.BR)  | 03 3 | 993S6 35061>40000 | M96.03 | 235 KW |
| 996 CABRIO 2/4                  | 03 3 | 993S6 40061>49000 | M96.03 | 235 KW |
| 996 CABRIO 2/4 (USA.CDN.MEX.BR) | 03 3 | 993S6 50061>59000 | M96.03 | 235 KW |

PORSCHE

# PET V-PAGES

PORSCHE

|       |      |    |    |              |         |        |       |            |
|-------|------|----|----|--------------|---------|--------|-------|------------|
| Model | Year | MG | SG | Illustration | VIN No. | Update | 12:21 | 25.11.2005 |
| 996   | 05   | 9  | 11 | 911-15       |         | 194    |       |            |

FR203

| VEHICLE TYPE                    | MY   | VIN               | ENGINE | TYPE   |
|---------------------------------|------|-------------------|--------|--------|
| 996 COUPE 2/4/4S                | 04 4 | 994S6 00061>10000 | M96.03 | 235 KW |
| 996 COUPE 2/4/4S (US.CN.MX.BR)  | 04 4 | 994S6 20061>29000 | M96.03 | 235 KW |
| 996 TARGA 2/4                   | 04 4 | 994S6 30061>35000 | M96.03 | 235 KW |
| 996 TARGA 2/4 (USA.CDN.MEX.BR)  | 04 4 | 994S6 35061>40000 | M96.03 | 235 KW |
| 996 CABRIO 2/4                  | 04 4 | 994S6 40061>49000 | M96.03 | 235 KW |
| 996 CABRIO 2/4/4S (US.CN.MX.BR) | 04 4 | 994S6 50061>59000 | M96.03 | 235 KW |
| 996 COUPE 4S                    | 05 5 | 995S6 00061>10000 | M96.03 | 235 KW |
| 996 COUPE 4S (USA.CDN.MEX.BR)   | 05 5 | 995S6 20061>29000 | M96.03 | 235 KW |
| 996 TARGA 2/4                   | 05 5 | 995S6 30061>35000 | M96.03 | 235 KW |
| 996 TARGA 2/4 (USA.CDN.MEX.BR)  | 05 5 | 995S6 35061>40000 | M96.03 | 235 KW |
| 996 CABRIO 2/4                  | 05 5 | 995S6 40061>49000 | M96.03 | 235 KW |
| 996 CABRIO 2/4/4S (US.CN.MX.BR) | 05 5 | 995S6 50061>59000 | M96.03 | 235 KW |

# PET V-PAGES

|       |      |    |    |              |         |        |       |            |
|-------|------|----|----|--------------|---------|--------|-------|------------|
| Model | Year | MG | SG | Illustration | VIN No. | Update |       |            |
| 996   | 05   | 9  | 11 | 911-15       |         | 194    | 12:22 | 25.11.2005 |

TR830

EXPLANATION OF THE MOTOR-NUMBERS USED IN THE CATALOGUE  
 =====

|                                 |             |   |   |   |  |   |   |   |   |   |
|---------------------------------|-------------|---|---|---|--|---|---|---|---|---|
| DIGIT:                          |             | 1 | 2 | 3 |  | 4 | 5 | 6 | 7 | 8 |
| EXAMPLE:                        |             | 6 | 6 | W |  | 0 | 0 | 1 | 3 | 6 |
|                                 |             | = | = | = |  | = | = | = | = | = |
|                                 |             | ! | ! | ! |  | ! |   |   |   | ! |
| ENGINE TYPE (6 = 6-CYL.-ENGINE) | -----+----- | ! | ! | ! |  | ! |   |   |   | ! |
|                                 |             | ! | ! |   |  | ! |   |   |   | ! |
| ENGINE VERSION                  | -----+----- | ! |   |   |  | ! |   |   |   | ! |
|                                 |             | ! |   |   |  | ! |   |   |   | ! |
| MODEL YEAR                      | -----+----- |   |   |   |  | ! |   |   |   | ! |
|                                 |             |   |   |   |  | ! |   |   |   | ! |
| SERIAL NUMBER                   | -----+----- |   |   |   |  | ! |   |   |   | ! |



PORSCHE

# PET V-PAGES

PORSCHE

|       |      |    |    |              |         |        |       |            |
|-------|------|----|----|--------------|---------|--------|-------|------------|
| Model | Year | MG | SG | Illustration | VIN No. | Update |       |            |
| 996   | 05   | 9  | 11 | 911-15       |         | 194    | 12:22 | 25.11.2005 |

MR203

| VEHICLE TYPE          | ENGINE TYPE | MY   | ENGINE NO.      | TECHNICAL DATA    |
|-----------------------|-------------|------|-----------------|-------------------|
| 911 CARRERA           | M96.01      | 98 W | 66W 00501>60000 | 6ZYL/3,4L /220 KW |
| 911 CARRERA           | M96.01      | 99 X | 66X 00501>60000 | 6ZYL/3,4L /220 KW |
| 911 CARRERA +M620 C4  | M96.02      | 99 X | 68X 00501>60000 | 6ZYL/3,4L /220 KW |
| 911 CARRERA 2/4       | M96.04      | 00 Y | 66Y 00501>60000 | 6ZYL/3,4L /220 KW |
| 911 CARRERA 2/4       | M96.04      | 01 1 | 661 00501>60000 | 6ZYL/3,4L /220 KW |
| 911 CARRERA 2/4/4S FL | M96.03      | 02 2 | 662 00501>60000 | 6ZYL/3,6L /232 KW |
| 911 CARRERA 2/4/4S FL | M96.03      | 03 3 | 663 00501>60000 | 6ZYL/3,6L /235 KW |
| 911 CARRERA 2/4/4S FL | M96.03      | 04 4 | 664 00501>60000 | 6ZYL/3,6L /235 KW |
| 911 CARRERA 2/4/4S FL | M96.03      | 05 5 | 665 00501>60000 | 6ZYL/3,6L /235 KW |

# PET V-PAGES

|       |      |    |    |              |         |        |       |            |
|-------|------|----|----|--------------|---------|--------|-------|------------|
| Model | Year | MG | SG | Illustration | VIN No. | Update |       |            |
| 996   | 05   | 9  | 11 | 911-15       |         | 194    | 12:22 | 25.11.2005 |

TR830

EXPLANATION OF THE TRANSMISSION-NUMBERS USED IN THE CATALOGUE

```

=====
DIGIT:                1  2  3  4  5      6  7  8  9 10 11
EXAMPLE:              G  9  6  0  0      1  0  0  5  4  3
                      =  =====      =  =====
                      !                !                !
                      !                !                !
TRANSMISSION TYPE-----+                !                !
                      !                !                !
TRANSMISSION VERSION-----+                !                !
                      !                !                !
INDEX OF VARIANTS-----+                !                !
                      !                !                !
SERIAL NUMBER-----+                !                !
    
```



# PET V-PAGES

|       |      |    |    |              |         |        |       |            |
|-------|------|----|----|--------------|---------|--------|-------|------------|
| Model | Year | MG | SG | Illustration | VIN No. | Update | 12:22 | 25.11.2005 |
| 996   | 05   | 9  | 11 | 911-15       |         | 194    |       |            |

TR830

LEGENDS AND NOTICES

=====

IN COLUMN -S- STATUS

-----

- N NEW ADDITION
- P PART ALREADY IN PROGRAMME, BUT NEW AT THIS APPLICATION
- W DELETED AT THIS APPLICATION, BUT CONTINUED TO BE CARRIED
- A STOCK TO BE USED UP
- U DELETED WITHOUT REPLACEMENT
- \* PART ALSO OR ONLY AVAILABLE IN REPAIR KIT
- > ALSO AVAILABLE IN EXCHANGE

IN COLUMN - ILL. -

-----

- 1 IDENTIFICATION NO. IN ILLUSTRATION
- (1) PART ONLY SIMILAR AS ILLUSTRATED
- PART IS NOT ILLUSTRATED

FIG.-NUMBERS FOR WHICH THERE IS SHOWN NO TEXT ARE NOT VALID FOR THIS EDITION OF CATALOGUE

IN COLUMN -PART NUMBER/CODE-

-----

000 000 000 00 PART NUMBER EQUALS ORDERING NO., IF A CODE IS SHOWN, IT WILL HAVE TO BE PART OF ORDERING NUMBER

01C COLOUR CODE

IN COLUMN -TEXT

-----

INSTALLATION WITH ENGINE OR CHASSIS NUMBER-RANGE

EXAMPLE:

M 66W 00389>> FROM ENGINE NO.

F >>99WS6 00889 UP TO CHASSIS NO.

# PET V-PAGES

|       |      |    |    |              |         |        |       |            |
|-------|------|----|----|--------------|---------|--------|-------|------------|
| Model | Year | MG | SG | Illustration | VIN No. | Update | 12:22 | 25.11.2005 |
| 996   | 05   | 9  | 11 | 911-15       |         | 194    |       |            |

TR830

IN COLUMN - A -  
-----

IDENTIFICATION LETTER FOR PERIOD OF INSTALLATION  
THAT IS REPEATED SEVERAL TIMES IN THE CATALOG GROUP.

EXPLANATION PLEASE FIND IN TEXT COLUMN OF THE CATALOG GROUP

IN COLUMN - QU - = NO. OF PIECES  
-----

- 1 NUMBER PER APPLICATION
- X NUMBER AS NEEDED
- \* AVAILABLE ONLY IN RUNNING LENGTHS 1 = 1 METRE

IN COLUMN - MODEL/SYMBOL -  
-----

- M650 OPTIONAL EQUIPMENT - SEE M-NO. LIST
- 98 LIMITATION OF MODEL YEAR FOR INSTANCE: VALID UP TO  
END OF MODEL YEAR 1997
- /LL LHD
- /RL RHD
- /V FRONT I  
I
- /H REAR I  
I----> APPLIES TO  
DIRECTION OF TRAVEL
- /L LEFT I
- /R RIGHT I  
-----+
- WW THE PART CAN BE USED INSTEAD OF THE  
PRECEDING ONE.

# PET V-PAGES

|       |      |    |    |              |         |        |       |            |
|-------|------|----|----|--------------|---------|--------|-------|------------|
| Model | Year | MG | SG | Illustration | VIN No. | Update | 12:22 | 25.11.2005 |
| 996   | 05   | 9  | 11 | 911-15       |         | 194    |       |            |

TR830

EQUIPMENT BY COUNTRY REGULATIONS

=====

- (A) AUSTRIA
- (AG) ARABIAN GULF STATES
- (AUS) AUSTRALIA
- (B) BELGIUM
- (BR) BRAZIL
- (CDN) CANADA
- (CH) SWITZERLAND
- (D) FEDERAL REPUBLIC OF GERMANY
- (DK) DENMARK
- (E) SPAIN
- (F) FRANCE
- (GB) GREAT BRITAIN
- (GR) GREECE
- (HK) HONGKONG
- (I) ITALY
- (J) JAPAN
- (L) LUXEMBURG
- (N) NORWAY
- (NL) NETHERLANDS
- (NZ) NEW ZEALAND
- (P) PORTUGAL
- (RC) TAIWAN
- (S) SWEDEN
- (SA) SAUDI ARABIA
- (SF) FINLAND
- (USA) UNITED STATES OF AMERICA
- (ZA) SOUTH AFRICA